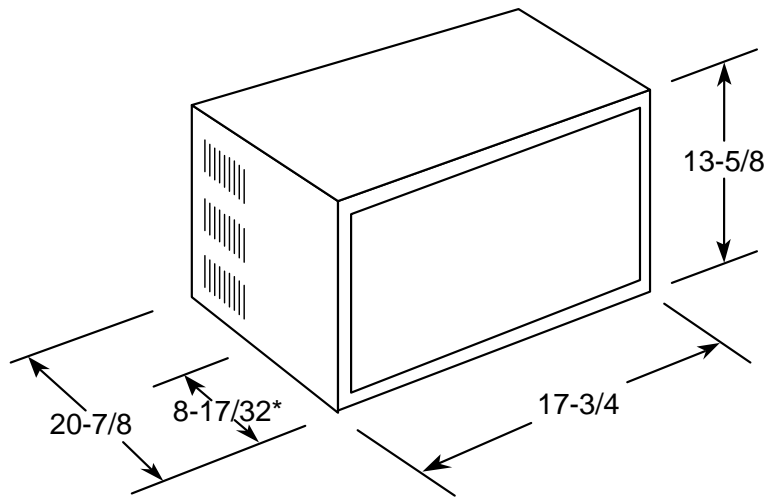




GE Appliances

AMH06LA—Deluxe 115 Volt Room Air Conditioner

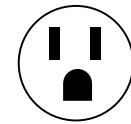
Wall Case Dimensions (in inches)



* Distance from front of case to side louvers (excluding grille).

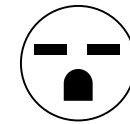
Note: When installing units in through-the-wall applications, keep louvers free. Do not restrict air flow areas. Fixed chassis units are not designed for through-the wall applications.

Parallel



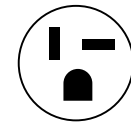
115V
15 Amp

Tandem



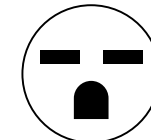
230/208V
15 Amp

Perpendicular



230/208V
20 Amp

Large Tandem



230/208V
30 Amp

Wall Outlets: All wiring including installation of receptacle must be made in accordance with local electrical codes and regulations. Electrical outlet should be in reach of line cord.

Note: Aluminum wiring may pose special problems—consult a qualified electrician.

For answers to your GE appliance questions, call GE Answer Center® service, 800.626.2000.



Total capacity and E.E.R. ratings are calculated based on the Association of Home Appliance Manufacturers' standards.

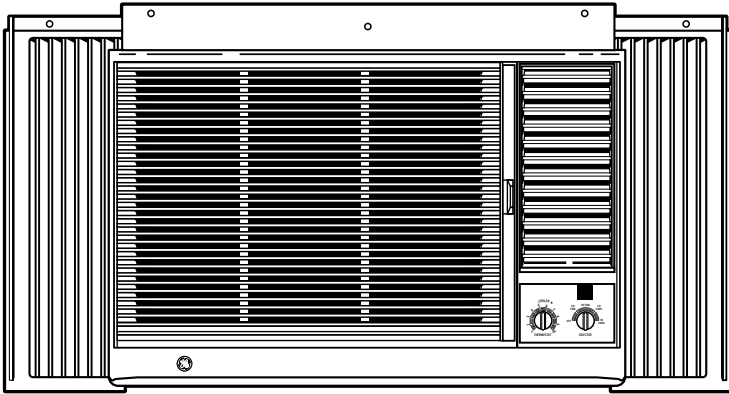


Listed by Underwriters Laboratories



GE Appliances

AMH06LA—Deluxe 115 Volt Room Air Conditioner



Features and Benefits

- Contemporary White Front
- 5,800 BTUH, 10.0 EER, 115 Volts
- Energy Saver Switch for Reduced Energy Consumption
- 10-Position Thermostat
- 2 Cooling/2 Fan Speeds
- EZ Installation
- Slide-Out Filter for Easy Cleaning
- Exhaust for Air Exchange
- Slide-Out Chassis
- Plug Type—Parallel