



# 24" Gas Built-In Self-Cleaning Single Wall Oven

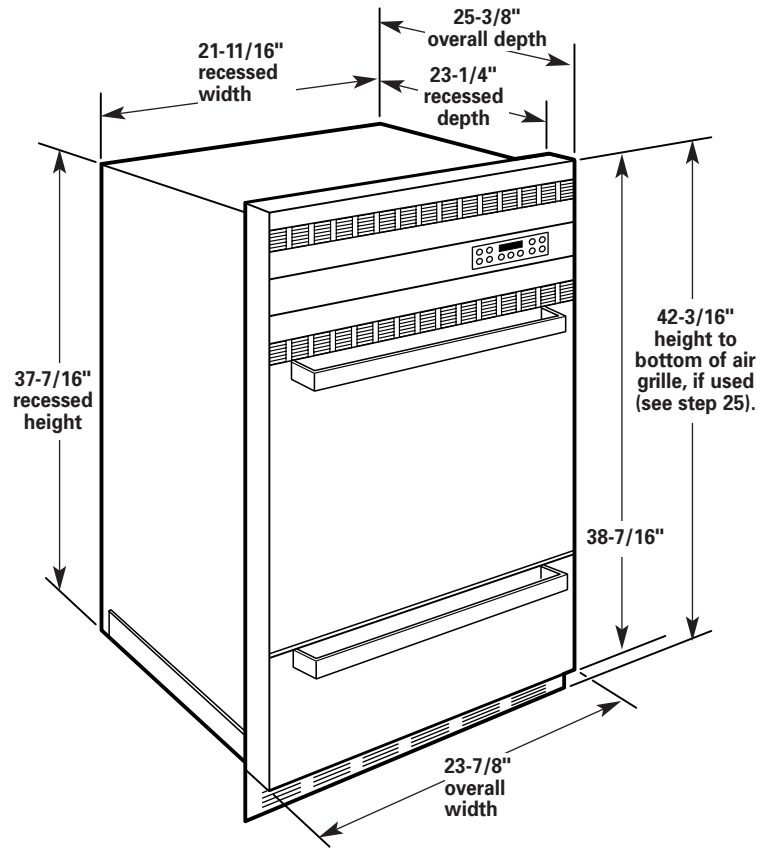
## PRODUCT MODEL NUMBERS

SB160PEE

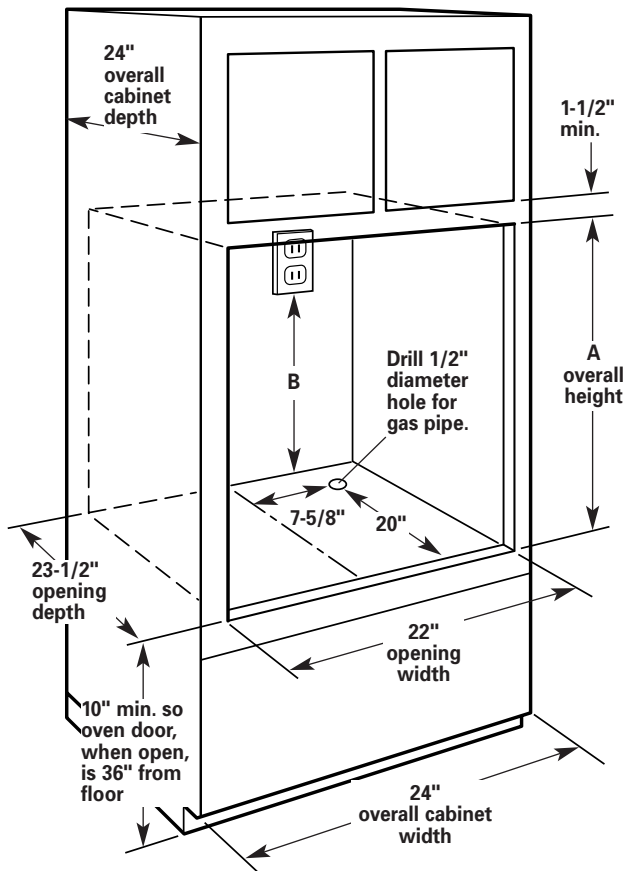
**Gas supply:** Use 3/4" rigid pipe gas supply line to the range location. A smaller size pipe on long runs may result in insufficient gas supply. With L.P. gas, piping or tubing size can be 1/2" minimum. If local codes permit, it is recommended that new flexible metal tubing, design-certified by AGA or CSA, 4-5 feet long, 1/2- or 3/4-inch I.D., be used for connecting the range to the rigid gas supply line. A 1/2" male pipe thread is needed for connection to pressure regulator female pipe threads. An individual manual shutoff valve must be located in the same room, but external to the range.

**Electrical:** A four-wire or three-wire, single phase, 120-volt, 60-Hz, AC-only, electrical supply is required on a separate 15-ampere circuit, fused on both sides of the line. A time-delay fuse or circuit breaker is recommended.

## OVERALL DIMENSIONS



## CABINET OPENING DIMENSIONS



A overall height	B	Adjustment instructions
37-1/2"	27"	None
38" to 39"	27"	See Step 7a, Page 4
39-1/8" to 42"	37-1/2"	See Step 7b, Page 4