

INSTALLATION INSTRUCTIONS

COMMERCIAL STACKED WASHER/DRYER
GAS OR ELECTRIC

INSTRUCTIONS D'INSTALLATION

LAVEUSE/SÉCHEUSE SUPERPOSÉES
À USAGE COMMERCIAL
À GAZ OU ÉLECTRIQUE

INSTRUCCIONES DE INSTALACIÓN

LAVADORA/SECADORA COMERCIALES
APILADAS A GAS O ELÉCTRICAS

TABLE OF CONTENTS

	Page
Stacked Washer/Dryer Safety	2
Tools & Parts	5
Alternate Parts and Accessories	6
Dimensions/Clearances	7
Stacked Washer/Gas Dryer Installation Requirements	8
Stacked Washer/Electric Dryer Installation Requirements	11
Dryer Venting Requirements	15
Dryer Gas Supply Requirements	18
Installing Stacked Washer/Dryer	19
Washer Drain System	22
Electric Dryer Electrical Connections	23
Leveling	27
Reversing Dryer Door Swing	29
Stacked Washer/Dryer Maintenance Instructions	31
If You Need Assistance	32
Electronic Control Setup Instructions	33
Warranty	39

TABLE DES MATIÈRES

	Page
Sécurité de la laveuse/sécheuse superposées	40
Outils et pièces	43
Pièces supplémentaires et accessoires	44
Dimensions/Distances de dégagement	45
Exigences d'installation pour la laveuse/sécheuse à gaz superposées	46
Exigences d'installation pour la laveuse/sécheuse électriques superposées	49
Exigences concernant l'évacuation de la sécheuse	54
Spécifications de l'alimentation en gaz de la sécheuse	57
Installation de la laveuse/sécheuse superposées	58
Système d'évacuation de la laveuse	61
Raccordements de la sécheuse électrique	62
Nivellement	66
Inversion du sens d'ouverture de la porte de la sécheuse	68
Instructions d'entretien de la laveuse/sécheuse superposées	70
Si vous avez besoin d'assistance	71
Instructions de réglage du tableau de commande électronique	72
Garantie	79

ÍNDICE

	Página
Seguridad de la lavadora/ secadora apiladas	80
Herramientas y piezas	83
Piezas y accesorios adicionales	84
Dimensiones y espacios libres	85
Requisitos de instalación de la lavadora/secadora a gas apiladas ...	86
Requisitos de instalación de la lavadora/secadora eléctricas apiladas	89
Requisitos de ventilación de la secadora	94
Requisitos del suministro de gas de la secadora	97
Instalación de la lavadora/ secadora apiladas	98
Sistema de desagüe de la lavadora	101
Conexiones eléctricas de la secadora eléctrica	102
Nivelación	106
Cómo invertir el cierre de la puerta de la secadora	108
Instrucciones de mantenimiento de la lavadora/secadora apiladas ...	110
Si necesita ayuda	111
Instrucciones de programación del control electrónico	112
Garantía	120

STACKED WASHER/DRYER SAFETY

Your safety and the safety of others are very important.

We have provided many important safety messages in this manual and on your appliance. Always read and obey all safety messages.



This is the safety alert symbol.

This symbol alerts you to potential hazards that can kill or hurt you and others.

All safety messages will follow the safety alert symbol and either the word "DANGER" or "WARNING."

These words mean:

⚠ DANGER

You can be killed or seriously injured if you don't immediately follow instructions.

⚠ WARNING

You can be killed or seriously injured if you don't follow instructions.

All safety messages will tell you what the potential hazard is, tell you how to reduce the chance of injury, and tell you what can happen if the instructions are not followed.



WARNING - "Risk of Fire"

- Clothes dryer installation must be performed by a qualified installer.
- Install the clothes dryer according to the manufacturer's instructions and local codes.
- Do not install a clothes dryer with flexible plastic venting materials or flexible metal (foil type) duct. If flexible metal duct is installed, it must be of a specific type identified by the appliance manufacturer as suitable for use with clothes dryers. Flexible venting materials are known to collapse, be easily crushed, and trap lint. These conditions will obstruct clothes dryer airflow and increase the risk of fire.
- To reduce the risk of severe injury or death, follow all installation instructions.
- Save these instructions.

- It is recommended that the owner post, in a prominent location, instructions for the customer's use in the event the customer smells gas. This information should be obtained from your gas supplier.
- Post the following warning in a prominent location.

FOR YOUR SAFETY

Do not store or use gasoline or other flammable vapors and liquids in the vicinity of this or any other appliance.

STACKED WASHER/DRYER SAFETY

WARNING: For your safety, the information in this manual must be followed to minimize the risk of fire or explosion, or to prevent property damage, personal injury, or death.

- Do not store or use gasoline or other flammable vapors and liquids in the vicinity of this or any other appliance.
- **WHAT TO DO IF YOU SMELL GAS:**
 - Do not try to light any appliance.
 - Do not touch any electrical switch; do not use any phone in your building.
 - Clear the room, building, or area of all occupants.
 - Immediately call your gas supplier from a neighbor's phone. Follow the gas supplier's instructions.
 - If you cannot reach your gas supplier, call the fire department.
- Installation and service must be performed by a qualified installer, service agency, or the gas supplier.

WARNING: Gas leaks cannot always be detected by smell.

Gas suppliers recommend that you use a gas detector approved by UL or CSA.

For more information, contact your gas supplier.

If a gas leak is detected, follow the "What to do if you smell gas" instructions.

In the State of Massachusetts, the following installation instructions apply:

- Installations and repairs must be performed by a qualified or licensed contractor, plumber, or gasfitter qualified or licensed by the State of Massachusetts.
- If using a ball valve, it shall be a T-handle type.
- A flexible gas connector, when used, must not exceed 3 feet.

IMPORTANT: The gas installation must conform with local codes, or in the absence of local codes, with the National Fuel Gas Code, ANSI Z223.1/NFPA 54 or the Canadian Natural Gas and Propane Installation Code, CSA B149.1.

The dryer must be electrically grounded in accordance with local codes, or in the absence of local codes, with the National Electrical Code, ANSI/NFPA 70 or Canadian Electrical Code, CSA C22.1.

STACKED WASHER/DRYER SAFETY

IMPORTANT SAFETY INSTRUCTIONS

WARNING: To reduce the risk of fire, electric shock, or injury to persons when using the washer/dryer, follow basic precautions, including the following:

- Read all instructions before using the washer/dryer.
- Do not place items exposed to cooking oils in your dryer. Items contaminated with cooking oils may contribute to a chemical reaction that could cause a load to catch fire.
- Do not wash or dry articles that have been previously cleaned in, washed in, soaked in, or spotted with gasoline, dry-cleaning solvents, other flammable, or explosive substances as they give off vapors that could ignite or explode.
- Do not add gasoline, dry-cleaning solvents, or other flammable, or explosive substances to the wash water. These substances give off vapors that could ignite or explode.
- Do not allow children to play on or in the washer/dryer. Close supervision of children is necessary when the washer/dryer is used near children.
- Before the washer/dryer is removed from service or discarded, remove the doors to the washer/dryer compartments.
- Do not reach into the washer/dryer if the tub, agitator or drum is moving.
- Do not install or store the washer/dryer where it will be exposed to the weather.
- Do not tamper with controls.
- Clean dryer lint screen before or after each load.
- Under certain conditions, hydrogen gas may be produced in a hot water system that has not been used for 2 weeks or more. **HYDROGEN GAS IS EXPLOSIVE.** If the hot water system has not been used for such a period, before using the washing machine, turn on all hot water faucets and let the water flow from each for several minutes. This will release any accumulated hydrogen gas. As the gas is flammable, do not smoke or use an open flame during this time.
- Do not repair or replace any part of the washer/dryer or attempt any servicing unless specifically recommended in this Use and Care Guide or in published user-repair instructions that you understand and have the skills to carry out.
- Do not use fabric softeners or products to eliminate static unless recommended by the manufacturer of the fabric softener or product.
- Do not use heat to dry articles containing foam rubber or similarly textured rubber-like materials.
- Keep area around the exhaust opening and adjacent surrounding areas free from the accumulation of lint, dust, and dirt.
- The interior of the machine and dryer exhaust vent should be cleaned periodically by qualified service personnel.
- See "Electrical Requirements" section of the Installation Instructions booklet for grounding instructions.

SAVE THESE INSTRUCTIONS

TOOLS & PARTS

Tools Needed:



8" (203 mm)
or 10" (254 mm)
pipe wrench



8" (203 mm) or 10" (254 mm)
adjustable wrench
that opens to 1" (25 mm)



flat-blade screwdriver



phillips screwdriver



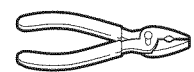
Torx® T-20 security
screwdriver or bit



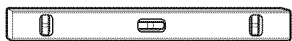
1" (25 mm) hex-head
socket wrench



5/16" socket wrench



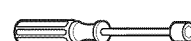
pliers
(that open to 1⁹/₁₆" [39 mm])



level



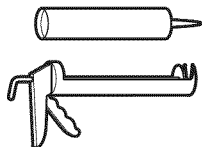
utility knife



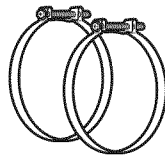
1/4" (6 mm) nut driver



locking pliers



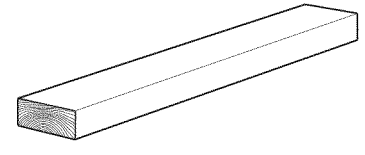
caulk gun and caulk
(for installing new exhaust vent)



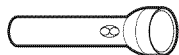
vent clamps



pipe-joint compound
suitable for gas type



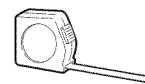
27" (686 mm) wood block



flashlight (optional)



1/2" (13 mm) and 9/16"
(14 mm) open-end wrenches



ruler or measuring tape

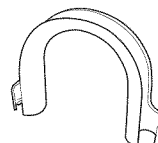
Parts Supplied:



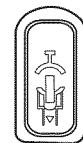
water inlet hoses (2)



inlet hose washers (4)



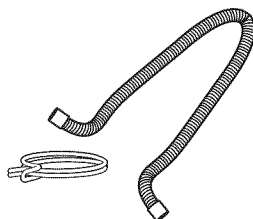
U-shaped hose form



transit bolt hole plug (4)



beaded tie strap



drain hose/clamp

ALTERNATE PARTS AND ACCESSORIES

Alternate Parts

Your installation may require additional parts. If you are interested in purchasing one of the items listed here, call the toll-free number in the "If You Need Assistance" section.

If You Have	You Will Need to Buy
Overhead sewer	Standard 20 gal. (76 L) 39" (990 mm) tall drain tub or utility sink, sump pump and connectors (available from local plumbing suppliers)
1" (25 mm) standpipe	2" (51 mm) diameter to 1" (25 mm) diameter Standpipe Adapter Part Number 3363920 Connector Kit Part Number 285835
Drain hose too short	Extension Drain Hose Part Number 285863 Connector Kit Part Number 285835
Lint clogged drain	Drain Protector Part Number 367031 Connector Kit Part Number 285835
Floor drain system	Siphon break, Part Number 285834 Connector Kit (x2) Part Number 285835 Extension Drain Hose Part Number 285863
Water faucets beyond reach of fill hoses	2 longer water fill hoses: 6 ft. (1.8 m) 90° bend hose Part Number 76314 10 ft. (3.0 m) Part Number 350008

Accessories

Enhance your washer/dryer with these premium accessories.

For more high-quality items or to order, call **1-800-901-2042**, or visit us at **www.maytag.com/accessories**.

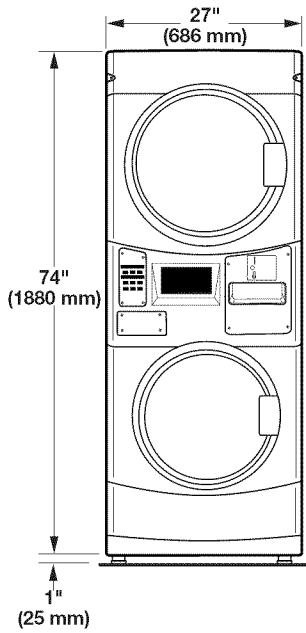
In Canada call: **1-800-807-6777** or visit us at **www.whirlpoolparts.ca**.

Part Number	Accessory
8212526	Washer drip tray, fits under all
31682	All-purpose appliance cleaner
1903WH	Laundry supply storage cart
279818	3-way dryer venting kit
285834	Siphon break kit

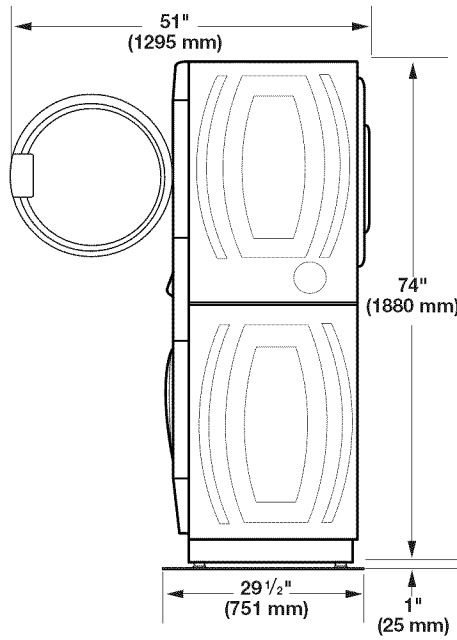
DIMENSIONS/CLEARANCES

Dimensions

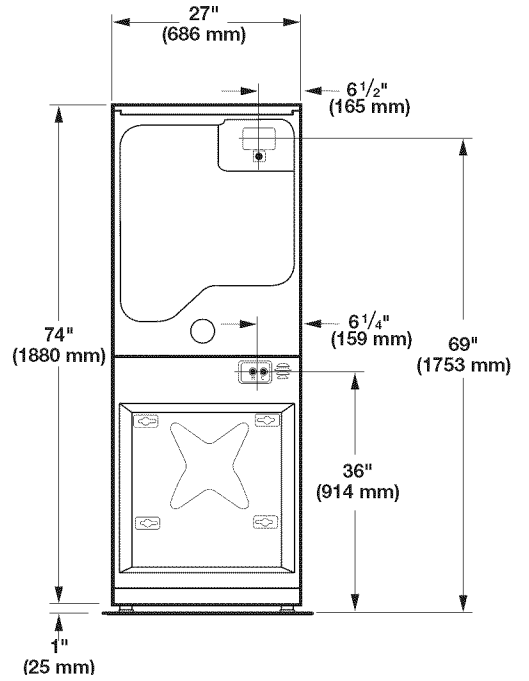
Front View



Side View

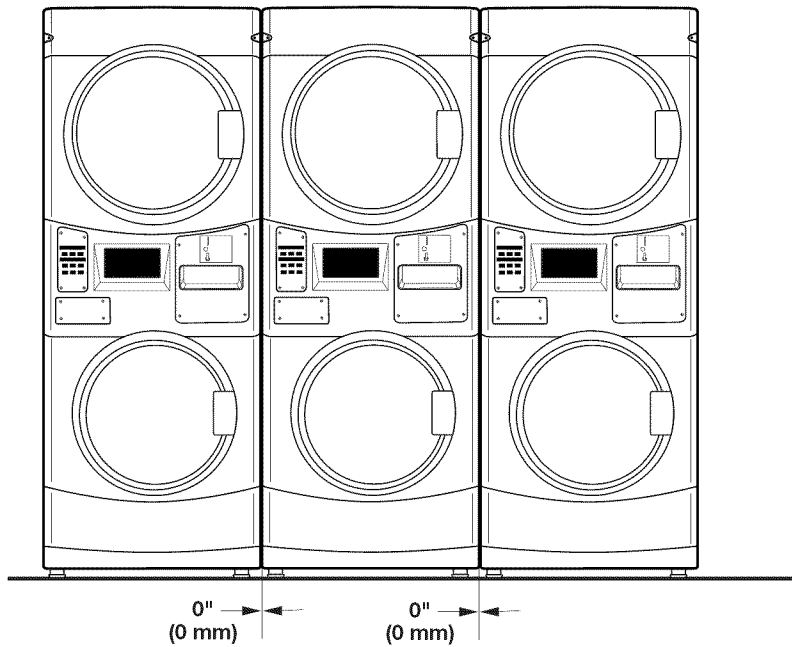


Back View

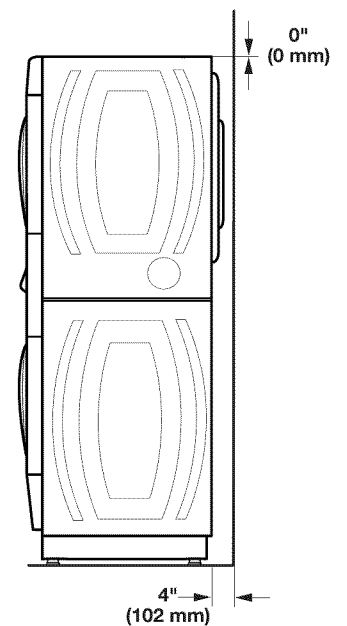


Clearances

Side Clearances




Back/Top Clearances



STACKED WASHER/GAS DRYER INSTALLATION REQUIREMENTS

Stacked Washer/Gas Dryer Location

⚠ WARNING



Explosion Hazard

Keep flammable materials and vapors, such as gasoline, away from dryer.

Do not install in a garage.

Failure to do so can result in death, explosion, or fire.

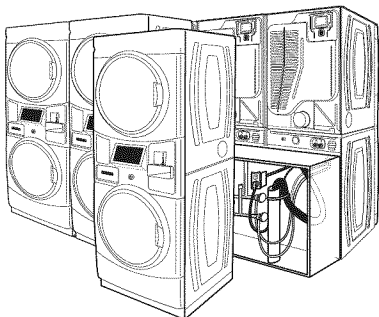
Selecting the proper location for your washer/dryer improves performance and minimizes noise and possible washer “walk.” Your washer/dryer can be installed in a basement, laundry room, or recessed area. See “Drain System.”

Companion appliance location requirements should also be considered.

IMPORTANT: Do not install or store the washer/dryer where it will be exposed to the weather. Do not store or operate the washer/dryer in temperatures at or below 32°F (0°C). Some water can remain in the washer and can cause damage in low temperatures. Proper installation is your responsibility.

You will need:

- A water heater set to deliver 120°F (49°C) water to the washer.
- A grounded electrical outlet located within 6 ft. (1.8 m) of where the power cord is attached to the back of the washer. See “Electrical Requirements.”
- Hot and cold water faucets located within 4 ft. (1.2 m) of the hot and cold water fill valves, and water pressure of 20–100 psi (137.9–689.6 kPa).
- A level floor with a maximum slope of 1" (25 mm) under entire washer/dryer. Installing the washer/dryer on soft floor surfaces, such as carpets or surfaces with foam backing, is not recommended.
- A sturdy and solid floor to support the washer/dryer with a total weight (water and load) of 450 lbs (204 kg).
- A floor drain under the bulkhead. Prefabricated bulkheads with electrical outlets, water inlet lines, and drain facilities should be used only where local codes permit.



Stacked washer/gas dryer installation clearances

- The location must be large enough to allow the washer and dryer doors to be fully opened.
- Additional spacing should be considered for ease of installation and servicing. The doors open more than 180°. The washer door is not reversible.
- Additional clearances might be required for wall, door, and floor moldings.
- Additional spacing of 1" (25 mm) on all sides of the washer/dryer is recommended to reduce noise transfer.
- Companion appliance spacing should also be considered.

When installing a gas dryer:

IMPORTANT: Observe all governing codes and ordinances.

- Check code requirements: Some codes limit or do not permit installation of clothes dryers in garages, closets, or sleeping quarters. Contact your local building inspector.
- Make sure that lower edges of the cabinet, plus the back and bottom sides of the washer, are free of obstructions to permit adequate clearance of air openings for combustion air. See “Recessed Area and Closet Installation Instructions” below for minimum spacing requirements.

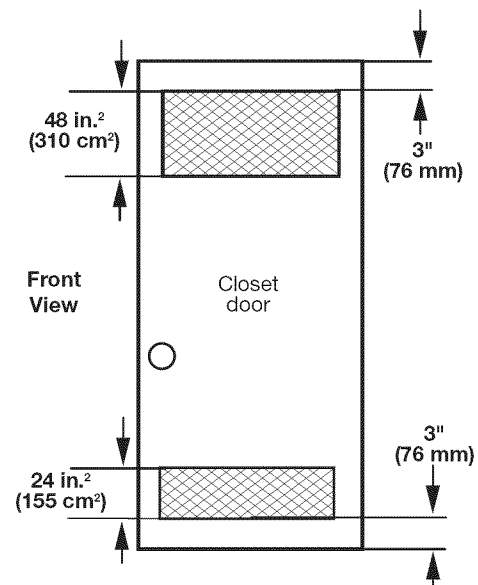
Recessed Area and Closet Installation Instructions

This washer/dryer may be installed in a recessed area or closet. For recessed area and closet installations, minimum clearances can be found on the warning label on the rear of the dryer or in “Dimensions/Clearances.”

The installation spacing is in inches and is the minimum allowable. Additional spacing should be considered for ease of installation, servicing, and compliance with local codes and ordinances.

If closet door is installed, the minimum unobstructed air opening in the top and bottom is required. Louvered doors with equivalent air openings are acceptable.

The dryer must be exhausted outdoors.



STACKED WASHER/GAS DRYER INSTALLATION REQUIREMENTS

Stacked Washer/Gas Dryer Electrical Requirements

⚠ WARNING



Electrical Shock Hazard

Plug into a grounded 3 prong outlet.

Do not remove ground prong.

Do not use an adapter.

Do not use an extension cord.

Failure to follow these instructions can result in death, fire, or electrical shock.

IMPORTANT: The washer/dryer must be electrically grounded in accordance with local codes and ordinances or, in the absence of local codes, with the National Electrical Code, ANSI/NFPA 70, latest edition, or Canadian Electrical Code, CSA C22.1. If codes permit and a separate ground wire is used, it is recommended that a qualified electrical installer determine that the ground path is adequate.

A copy of the above code standards can be obtained from:

National Fire Protection Association
One Batterymarch Park, Quincy, MA 02269
CSA International
8501 East Pleasant Valley Road
Cleveland, Ohio 44131-5575

- Do not ground to a gas pipe.
- Do not have a fuse in the neutral or ground circuit.
- A 120 volt, 60 Hz, AC only, 15- or 20-amp, fused electrical circuit is required. A time-delay fuse or circuit breaker is also recommended. It is recommended that a separate circuit serving only this washer/dryer be provided.
- This washer/dryer is equipped with a power supply cord having a 3-prong grounding plug.
- To minimize the possibility of shock, the cord must be plugged into a mating, 3 prong, grounding-type outlet, grounded in accordance with local codes and ordinances. If a mating outlet is not available, it is the personal responsibility and obligation of the customer to have the properly grounded outlet installed by a qualified electrician.
- If codes permit and a separate ground wire is used, it is recommended that a qualified electrician determine that the ground path is adequate.
- Check with a qualified electrician if you are not sure the washer/dryer is properly grounded.

Stacked Washer/Gas Dryer Grounding

GROUNDING INSTRUCTIONS

For a grounded, cord-connected washer:

This washer must be grounded. In the event of a malfunction or breakdown, grounding will reduce the risk of electrical shock by providing a path of least resistance for electric current. This washer is equipped with a cord having an equipment-grounding conductor and a grounding plug. The plug must be plugged into an appropriate outlet that is properly installed and grounded in accordance with all local codes and ordinances.

WARNING: Improper connection of the equipment-grounding conductor can result in a risk of electric shock. Check with a qualified electrician or serviceman if you are in doubt as to whether the appliance is properly grounded.

Do not modify the plug provided with the appliance – if it will not fit the outlet, have a proper outlet installed by a qualified electrician.

For a permanently connected washer:

This washer must be connected to a grounded metal, permanent wiring system, or an equipment grounding conductor must be run with the circuit conductors and connected to the equipment-grounding terminal or lead on the appliance.

GROUNDING INSTRUCTIONS

■ **For a grounded, cord-connected dryer:**

This dryer must be grounded. In the event of malfunction or breakdown, grounding will reduce the risk of electric shock by providing a path of least resistance for electric current. This dryer uses a cord having an equipment-grounding conductor and a grounding plug. The plug must be plugged into an appropriate outlet that is properly installed and grounded in accordance with all local codes and ordinances.

■ **For a permanently connected dryer:**

This dryer must be connected to a grounded metal, permanent wiring system, or an equipment-grounding conductor must be run with the circuit conductors and connected to the equipment-grounding terminal or lead on the dryer.

WARNING: Improper connection of the equipment-grounding conductor can result in a risk of electric shock. Check with a qualified electrician or service representative or personnel if you are in doubt as to whether the dryer is properly grounded. Do not modify the plug on the power supply cord: if it will not fit the outlet, have a proper outlet installed by a qualified electrician.

SAVE THESE INSTRUCTIONS

STACKED WASHER/GAS DRYER INSTALLATION REQUIREMENTS

Stacked Washer/Gas Dryer Gas Supply

⚠ WARNING



Explosion Hazard

Use a new CSA International approved gas supply line.

Install a shut-off valve.

Securely tighten all gas connections.

If connected to LP, have a qualified person make sure gas pressure does not exceed 13" (330 mm) water column.

Examples of a qualified person include:

**licensed heating personnel,
authorized gas company personnel, and
authorized service personnel.**

Failure to do so can result in death, explosion, or fire.

IMPORTANT: Observe all governing codes and ordinances.

This installation must conform with all local codes and ordinances. In the absence of local codes, installation must conform with American National Standard, National Fuel Gas Code ANSI Z223.1/NFPA 54 or CAN/CSA B149.

A copy of the above code standards can be obtained from:

National Fire Protection Association
One Batterymarch Park, Quincy, MA 02269
CSA International
8501 East Pleasant Valley Road
Cleveland, Ohio 44131-5575


The design of this washer/dryer has been certified by CSA International for use at altitudes up to 10,000 feet (3048 m) above sea level at the B.T.U. rating indicated on the model/serial plate. Burner input adjustments are not required when the washer/dryer is operated up to this elevation.

When installed above 10,000 feet (3048 m), a four percent (4%) reduction of the burner B.T.U. rating shown on the model/serial plate is required for each 1,000 foot (305 m) increase in elevation. For assistance when converting to other gas types and/or installing above 10,000 feet (3048 m) elevation, contact your local service company.

STACKED WASHER/ELECTRIC DRYER INSTALLATION REQUIREMENTS

Stacked Washer/Electric Dryer Location

⚠ WARNING



Explosion Hazard

Keep flammable materials and vapors, such as gasoline, away from dryer.

Do not install in a garage.

Failure to do so can result in death, explosion, or fire.

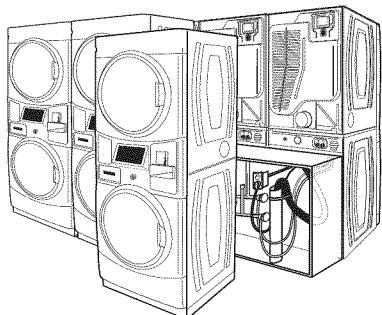
Selecting the proper location for your washer/dryer improves performance and minimizes noise and possible washer “walk.” Your washer/dryer can be installed in a basement, laundry room, or recessed area. See “Drain System.”

Companion appliance location requirements should also be considered.

IMPORTANT: Do not install or store the washer/dryer where it will be exposed to the weather. Do not store or operate the washer/dryer in temperatures at or below 32°F (0°C). Some water can remain in the washer and can cause damage in low temperatures. Proper installation is your responsibility.

You will need:

- A water heater set to deliver 120°F (49°C) water to the washer.
- A grounded electrical outlet located within 6 ft. (1.8 m) of where the power cord is attached to the back of the washer. See “Electrical Requirements.”
- Hot and cold water faucets located within 4 ft. (1.2 m) of the hot and cold water fill valves, and water pressure of 20–100 psi (137.9–689.6 kPa).
- A level floor with a maximum slope of 1" (25 mm) under entire washer/dryer. Installing the washer/dryer on soft floor surfaces, such as carpets or surfaces with foam backing, is not recommended.
- A sturdy and solid floor to support the washer/dryer with a total weight (water and load) of 450 lbs (204 kg).
- A floor drain under the bulkhead. Prefabricated bulkheads with electrical outlets, water inlet lines, and drain facilities should be used only where local codes permit.



Stacked washer/electric dryer installation clearances

- The location must be large enough to allow the washer and dryer doors to be fully opened.
- Additional spacing should be considered for ease of installation and servicing. The doors open more than 180°. The washer door is not reversible.
- Additional clearances might be required for wall, door, and floor moldings.
- Additional spacing of 1" (25 mm) on all sides of the washer/dryer is recommended to reduce noise transfer.
- Companion appliance spacing should also be considered.

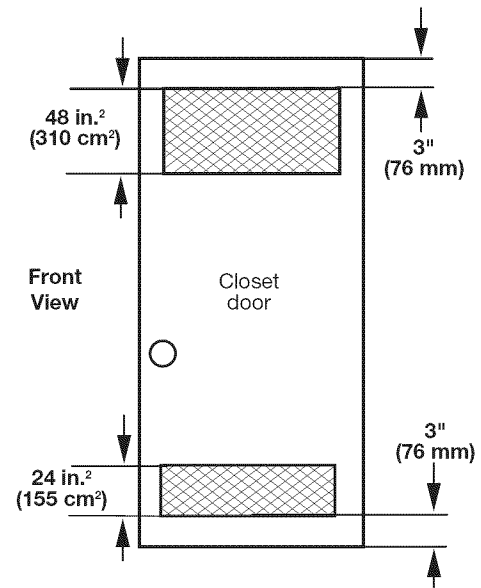
Recessed Area and Closet Installation Instructions

This washer/dryer may be installed in a recessed area or closet. For recessed area and closet installations, minimum clearances can be found on the warning label on the rear of the dryer.

The installation spacing is in inches and is the minimum allowable. Additional spacing should be considered for ease of installation, servicing, and compliance with local codes and ordinances.

If closet door is installed, the minimum unobstructed air opening in the top and bottom is required. Louvered doors with equivalent air openings are acceptable.

The dryer must be exhausted outdoors.




STACKED WASHER/ELECTRIC DRYER INSTALLATION REQUIREMENTS

Stacked Washer/Electric Dryer Electrical Requirements

Washer Electrical Requirements

⚠ WARNING



Electrical Shock Hazard

Plug into a grounded 3 prong outlet.

Do not remove ground prong.

Do not use an adapter.

Do not use an extension cord.

Failure to follow these instructions can result in death, fire, or electrical shock.

- Do not have a fuse in the neutral or ground circuit.
- This washer/dryer is equipped with a power supply cord having a 3 prong grounding plug.
- To minimize the possibility of shock, the cord must be plugged into a mating, 3 prong, grounding-type outlet, grounded in accordance with local codes and ordinances. If a mating outlet is not available, it is the personal responsibility and obligation of the customer to have the properly grounded outlet installed by a qualified electrician.
- If codes permit and a separate ground wire is used, it is recommended that a qualified electrician determine that the ground path is adequate.
- Check with a qualified electrician if you are not sure the washer is properly grounded.

Stacked Washer/Electric Dryer Grounding

GROUNDING INSTRUCTIONS

For a grounded, cord-connected washer:

This washer must be grounded. In the event of a malfunction or breakdown, grounding will reduce the risk of electrical shock by providing a path of least resistance for electric current. This washer is equipped with a cord having an equipment-grounding conductor and a grounding plug. The plug must be plugged into an appropriate outlet that is properly installed and grounded in accordance with all local codes and ordinances.

WARNING: Improper connection of the equipment-grounding conductor can result in a risk of electric shock. Check with a qualified electrician or serviceman if you are in doubt as to whether the appliance is properly grounded.

Do not modify the plug provided with the appliance – if it will not fit the outlet, have a proper outlet installed by a qualified electrician.

For a permanently connected washer:

This washer must be connected to a grounded metal, permanent wiring system, or an equipment grounding conductor must be run with the circuit conductors and connected to the equipment-grounding terminal or lead on the appliance.

GROUNDING INSTRUCTIONS

■ **For a grounded, cord-connected dryer:**

This dryer must be grounded. In the event of malfunction or breakdown, grounding will reduce the risk of electric shock by providing a path of least resistance for electric current. This dryer uses a cord having an equipment-grounding conductor and a grounding plug. The plug must be plugged into an appropriate outlet that is properly installed and grounded in accordance with all local codes and ordinances.

■ **For a permanently connected dryer:**

This dryer must be connected to a grounded metal, permanent wiring system, or an equipment-grounding conductor must be run with the circuit conductors and connected to the equipment-grounding terminal or lead on the dryer.

WARNING: Improper connection of the equipment-grounding conductor can result in a risk of electric shock. Check with a qualified electrician or service representative or personnel if you are in doubt as to whether the dryer is properly grounded. Do not modify the plug on the power supply cord: if it will not fit the outlet, have a proper outlet installed by a qualified electrician.

SAVE THESE INSTRUCTIONS

STACKED WASHER/ELECTRIC DRYER INSTALLATION REQUIREMENTS

Dryer Electrical Requirements

It is your responsibility:

- To contact a qualified electrical installer.
- To be sure that the electrical connection is adequate and in conformance with the National Electrical Code, ANSI/NFPA 70-latest edition and all local codes and ordinances.
The National Electrical Code requires a 4-wire power supply connection for homes built after 1996, dryer circuits involved in remodeling after 1996, and all mobile home installations.
A copy of the above code standards can be obtained from: National Fire Protection Association, One Batterymarch Park, Quincy, MA 02269.
- To supply the required 3 or 4 wire, single phase, 240 volt, 60 Hz., AC only electrical supply (or 3 or 4 wire, 120/208 volt electrical supply, if specified on the serial/rating plate) on a separate 30-amp circuit, fused on both sides of the line. A time delay fuse or circuit breaker is recommended. Connect to an individual branch circuit. Do not have a fuse in the neutral or grounding circuit.
- Do not use an extension cord.
- If codes permit and a separate ground wire is used, it is recommended that a qualified electrician determine that the ground path is adequate.

Electrical Connection

To properly install your dryer, you must determine the type of electrical connection you will be using and follow the instructions provided for it here.

- This dryer is manufactured ready to install with a 3-wire electrical supply connection. The neutral ground conductor is permanently connected to the neutral conductor (white wire) within the dryer. If the dryer is installed with a 4-wire electrical supply connection, the neutral ground conductor must be removed from the external ground connector (green screw), and secured under the neutral terminal (center or white wire) of the terminal block. When the neutral ground conductor is secured under the neutral terminal (center or white wire) of the terminal block, the dryer cabinet is isolated from the neutral conductor.
- If local codes do not permit the connection of a neutral ground wire to the neutral wire, see "Optional 3-wire connection" section.
- A 4-wire power supply connection must be used when the appliance is installed in a location where grounding through the neutral conductor is prohibited. Grounding through the neutral is prohibited for (1) new branch-circuit installations, (2) mobile homes, (3) recreational vehicles, and (4) areas where local codes prohibit grounding through the neutral conductor.

Electric Dryer Power Supply Cord

⚠ WARNING



Fire Hazard

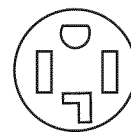
- Use a new UL listed 30 amp power supply cord.**
- Use a UL listed strain relief.**
- Disconnect power before making electrical connections.**
- Connect neutral wire (white or center wire) to center terminal.**
- Ground wire (green or bare wire) must be connected to green ground connector.**
- Connect remaining 2 supply wires to remaining 2 terminals (gold).**
- Securely tighten all electrical connections.**
- Failure to do so can result in death, fire, or electrical shock.**

If using a power supply cord:

Use a UL listed power supply cord kit marked for use with clothes dryers. The kit should contain:

- A UL listed 30-amp power supply cord, rated 240 volt minimum. The cord should be type SRD or SRDT and be at least 4 ft. (1.22 m) long. The wires that connect to the dryer must end in ring terminals or "U" shaped spade terminals with upturned ends.
- A UL listed strain relief.

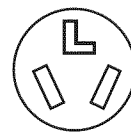
If your outlet looks like this:



4-wire
receptacle
(14-30R)

Then choose a 4-wire power supply cord with ring or spade terminals and UL listed strain relief. The 4-wire power supply cord, at least 4 ft. (1.22 m) long, must have four 10-gauge copper wires and match a 4-wire receptacle of NEMA Type 14-30R. The ground wire (ground conductor) may be either green or bare. The neutral conductor must be identified by a white cover.

If your outlet looks like this:



3-wire
receptacle
(10-30R)

Then choose a 3-wire power supply cord with ring or spade terminals and UL listed strain relief. The 3-wire power supply cord, at least 4 ft. (1.22 m) long, must have three 10-gauge copper wires and match a 3-wire receptacle of NEMA Type 10-30R.

STACKED WASHER/ELECTRIC DRYER INSTALLATION REQUIREMENTS

Dryer Direct Wire

WARNING



Fire Hazard

Use 10 gauge copper wire.

Use a UL listed strain relief.

Disconnect power before making electrical connections.

Connect neutral wire (white or center wire) to center terminal.

Ground wire (green or bare wire) must be connected to green ground connector.

Connect remaining 2 supply wires to remaining 2 terminals (gold).

Securely tighten all electrical connections.

Failure to do so can result in death, fire, or electrical shock.

If connecting by direct wire:

Power supply cable must match power supply (4-wire or 3-wire) and be:

- Flexible armored cable or nonmetallic sheathed copper cable (with ground wire), covered with flexible metallic conduit. All current-carrying wires must be insulated.
- 10-gauge solid copper wire (do not use aluminum).
- At least 5 ft. (1.52 m) long.

DRYER VENTING REQUIREMENTS

⚠ WARNING



Fire Hazard

Use a heavy metal vent.

Do not use a plastic vent.

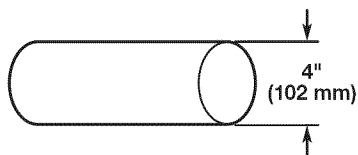
Do not use a metal foil vent.

Failure to follow these instructions can result in death or fire.

WARNING: To reduce the risk of fire, this dryer MUST BE EXHAUSTED OUTDOORS.

IMPORTANT: Observe all governing codes and ordinances.

Dryer exhaust must not be connected into any gas vent, chimney, wall, ceiling, attic, crawlspace, or a concealed space of a building. Only rigid or flexible metal vent shall be used for exhausting.



4" (102 mm) heavy, metal exhaust vent

- Only a 4" (102 mm) heavy, metal exhaust vent and clamps may be used.
- Do not use plastic or metal foil vent.

Rigid metal vent:

- Recommended for best drying performance and to avoid crushing and kinking.

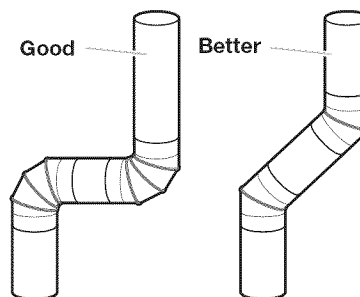
Flexible metal vent: (Acceptable only if accessible to clean)

- Must be fully extended and supported in final dryer location.
- Remove excess to avoid sagging and kinking that may result in reduced airflow and poor performance.
- Do not install in enclosed walls, ceilings, or floors.
- The total length should not exceed 7¾ ft. (2.4 m).

NOTE: If using an existing vent system, clean lint from entire length of the system and make sure exhaust hood is not plugged with lint. Replace plastic or metal foil vents with rigid metal or flexible metal vents. Review "Vent System Chart" and if necessary, modify existing vent system to achieve best drying performance.

Elbows:

- 45° elbows provide better airflow than 90° elbows.



Clamps:

- Use clamps to seal all joints.
- Exhaust vent must not be connected or secured with screws or other fastening devices that extend into interior of duct and catch lint. Do not use duct tape.



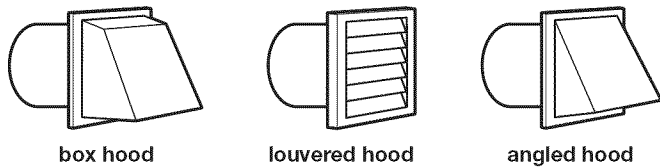
Improper venting can cause moisture and lint to collect indoors, which may result in:

- Moisture damage to woodwork, furniture, paint, wallpaper, carpets, etc.
- Housecleaning problems and health problems.

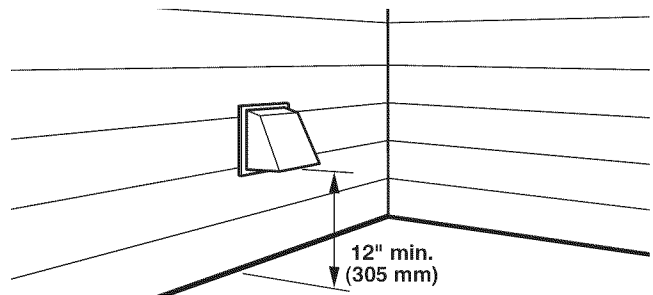
DRYER VENTING REQUIREMENTS

Vent Hoods

4" (102 mm) Diameter Exhaust Hoods



Exhaust hood must be at least 12" (305 mm) from the ground or any object that may be in the path of the exhaust (such as flowers, rocks, bushes, or snow).



Vent System Length

Maximum Vent Length/Vent Connection

Maximum length of vent system depends upon the type of vent used, number of elbows, and type of exhaust hood.

Vent System Chart (Rigid Metal Vent)

No. of 90° Turns	Box and Louvered Hood	Angled Hood
0	135 ft. (41.2 m)	129 ft. (39.3 m)
1	125 ft. (38.1 m)	119 ft. (36.3 m)
2	115 ft. (35.1 m)	109 ft. (33.2 m)
3	106 ft. (32.3 m)	100 ft. (30.5 m)
4	98 ft. (29.9 m)	92 ft. (28.0 m)

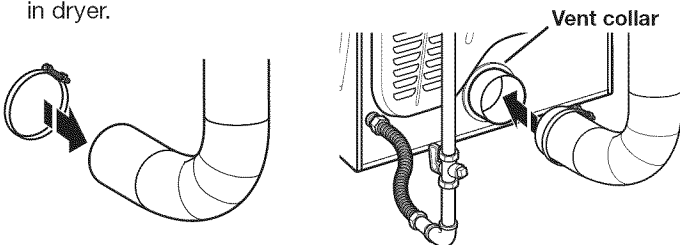
For vent systems not covered by the vent specification chart, see your parts distributor.

Provision must be made for enough air for combustion and ventilation. (Check governing codes and ordinances.) See "Recessed Area and Closet Installation Instructions" in the "Stacked Washer/Gas Dryer Location" and "Stacked Washer/Electric Dryer Location" sections.

A 4" (102 mm) outlet hood is preferred. However, a 2½" (64 mm) outlet exhaust hood may be used. A 2½" (64 mm) outlet creates greater back pressure than other hood types. For permanent installation, a stationary vent system is required.

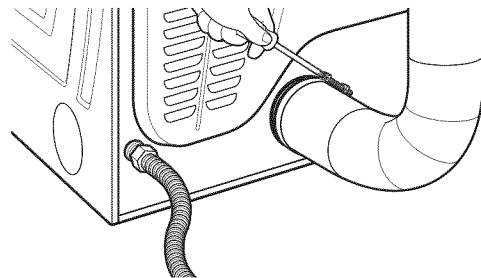
Connect Vent

1. If connecting to existing vent, make sure the vent is clean.
2. Using a 4" (102 mm) clamp, connect vent to exhaust outlet in dryer.

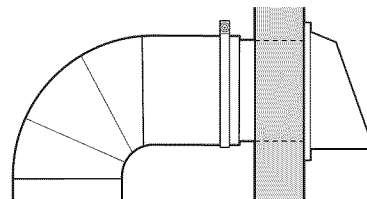


NOTE: Do not remove vent collar.

3. Tighten hose clamp with Phillips screwdriver.



4. Make sure the vent is secured to exhaust hood with a 4" (102 mm) clamp.

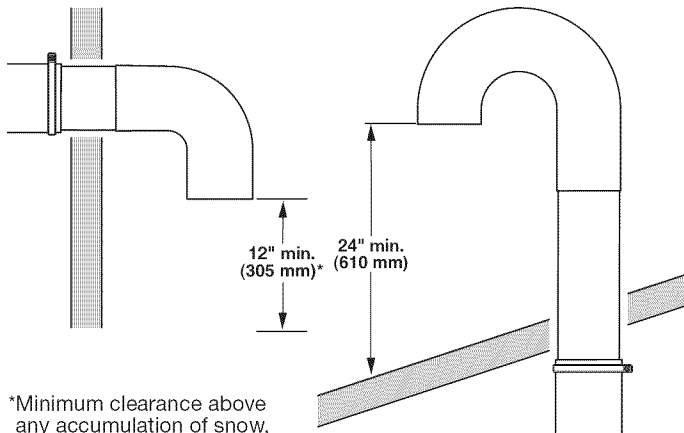


5. Move dryer into final position. Do not crush or kink vent. Make sure dryer is level.

DRYER VENTING REQUIREMENTS

If an Exhaust Hood Cannot be Used

The outside end of main vent should have a sweep elbow directed downward.



If main vent travels vertically through the roof, rather than through wall, install a 180° sweep elbow on end of vent at least 2 ft. (610 mm) above surface of roof.

The opening in wall or roof shall have a diameter 1/2" (13 mm) larger than vent diameter. Vent should be centered in opening.

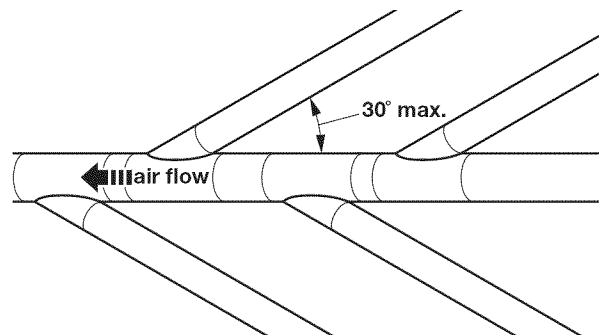
Do not install screening over end of vent for best performance.

Multiple Dryer Venting

A main vent can be used for venting a group of dryers. The main vent should be sized to remove 200 CFM of air per dryer. Large-capacity lint screens of proper design may be used in main vent if checked and cleaned frequently. The room where the dryers are located should have make-up air equal to or greater than CFM of all the dryers in the room.

Back-draft Damper Kit, Part No. 3391910, is available from your distributor and should be installed in the vent of each dryer to keep exhausted air from returning into dryers and to keep exhaust in balance within main vent. Unobstructed return air openings are required.

Each vent should enter the main vent at an angle pointing in the direction of the airflow. Vents entering from the opposite side should be staggered to reduce the exhausted air from interfering with the other vents.



The maximum angle of each vent entering the main vent should be no more than 30°.

DRYER GAS SUPPLY REQUIREMENTS

Type of Gas

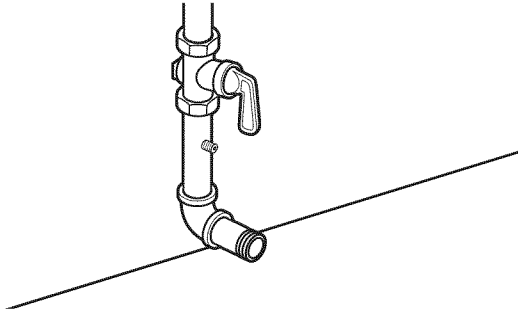
This dryer is equipped for use with natural gas. It is design-certified by CSA International for LP (propane and butane) gases with appropriate conversion. No attempt shall be made to convert dryer from gas specified on serial/rating plate for use with a different gas without consulting the serving gas supplier. Conversion must be done by a qualified service technician.

Gas conversion kit part numbers are listed on gas valve burner base.

Gas Supply Line

Recommended Method

Provide a gas supply line of 1/2" (13 mm) rigid (IPS) pipe to dryer location. Pipe joint compounds that resist action of LP gas must be used. Do not use TEFLON[†] tape. With LP gas, piping or tubing size can be 1/2" (13 mm) minimum. Usually, LP gas suppliers determine size and materials used in the system.



Gas Supply Pressure Testing

A 1/8" (3 mm) NPT minimum plugged tapping, accessible for gauge testing, must be installed immediately downstream of the installed shut-off valve to the dryer (as shown above). The dryer must be disconnected from the gas supply piping system during any pressure testing of the system at test pressures in excess of 1/2" psig (352 kg/m²).

Alternate Method

The gas supply may also be connected using 3/8" (10 mm) approved copper or aluminum tubing. If the total length of the supply line is more than 20 ft. (6.1 m), larger tubing will be required.

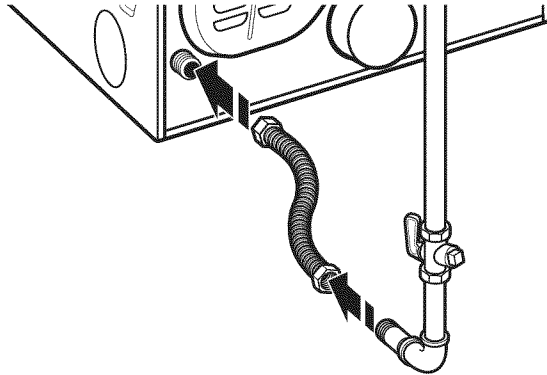
If using natural gas, do not use copper tubing. Pipe joint compounds that resist action of type of gas supplied must be used.

Shut-off valve required

The supply line must be equipped with a manual shut-off valve installed within 6 ft. (1.8 m) of dryer in accordance with National Fuel Gas Code, ANSI Z223.1. This valve should be located in same room as dryer. It should be in a location that allows ease of opening and closing. Do not block access to shut-off valve. In Canada, an individual manual shut-off valve must be installed in accordance with the B149 installation codes CAN/CGA B149.1 and CAN/CGA B149.2.

Flexible Metal Appliance Connector

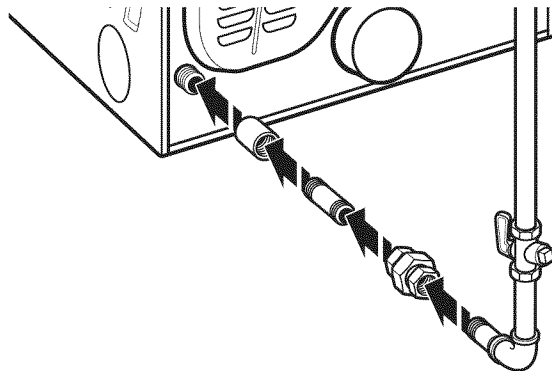
It is recommended that a new flexible stainless steel gas line, design-certified by CSA International, be used for connecting the dryer to the gas supply line. (The gas pipe which extends through the lower rear of the dryer is provided with 3/8" (10 mm) male pipe thread.)



NOTE: Do not kink or damage the flexible stainless steel gas line when moving the door.

Rigid Pipe Connection

The rigid pipe connection requires a combination of pipe fittings to obtain an in-line connection to dryer.



[†]TEFLON is a registered trademark of E.I. Du Pont De Nemours and Company.

INSTALLING STACKED WASHER/DRYER

Remove Transport System

NOTE: Slide washer/dryer onto cardboard or hardboard before moving to avoid damaging floor covering.

⚠ WARNING

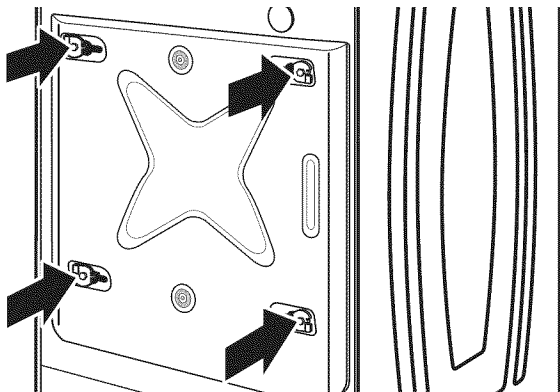
Excessive Weight Hazard

**Use two or more people to move and install washer/dryer.
Failure to do so can result in back or other injury.**

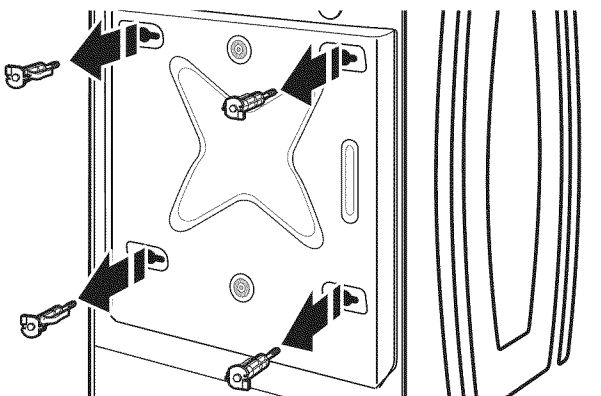
IMPORTANT: Position the washer/dryer so that the rear of the washer is within approximately 3 ft. (900 mm) of its final location.

There are 4 shipping bolts in the rear panel of the washer that support the suspension system during transportation. These bolts also retain the power cord inside the washer until the bolts are removed.

1. Keep the washer/dryer in the upright position while removing the shipping bolts.
2. Using a 1/2" (13 mm) wrench, loosen each of the bolts.

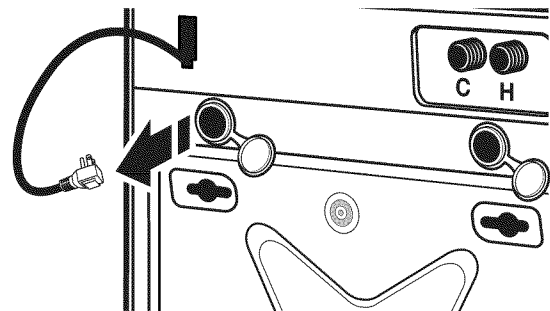
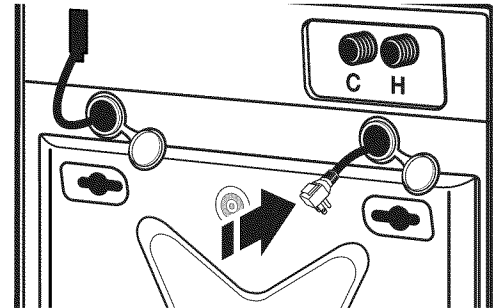


3. Once the bolt is loose, move it to the center of the hole and completely pull out the bolt, including the plastic spacer covering the bolt. Once all 4 bolts are removed, discard the bolts and spacers.

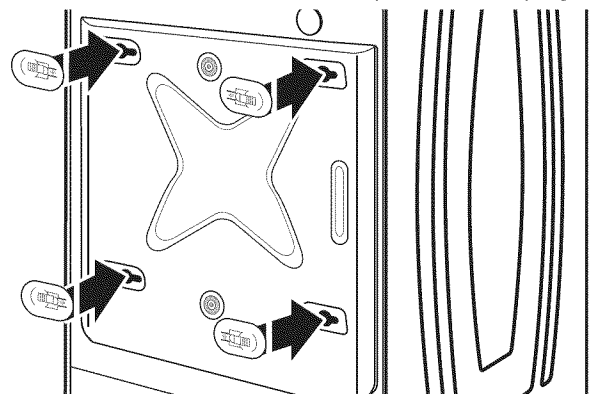


4. Models with separate washer power cords: Push the power cord plug into the opening on the right side of the rear panel and pull the power cord through the opening on the left side of the rear panel and close holes with the attached cap. Do not pull plug end of power cord through the right side hole.

NOTE: To avoid damage to internal washer parts or the power cord, if the cord does not pull out of the washer rear panel easily, do not force it. Remove the washer rear panel and guide the power cord around the obstruction and out the hole on the left side of the rear panel.



5. Close the bolt holes with the 4 transport bolt hole plugs.

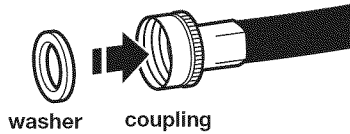


IMPORTANT: If the washer/dryer is to be transported, call your product distributor or installer. To avoid suspension and structural damage, your washer/dryer must be properly set up for relocation by a trained professional.

INSTALLING STACKED WASHER/DRYER

Connect Inlet Hoses

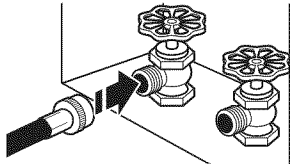
Insert new hose washers (supplied) into each end of the inlet hoses. Firmly seat the washers in the couplings.



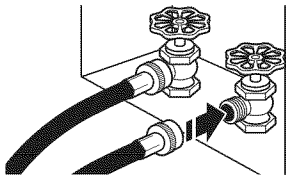
Connect Inlet Hoses to Water Faucets

Make sure the washer drum is empty.

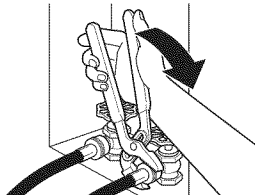
1. Attach a hose to the hot water faucet. Screw on coupling by hand until it is seated on the washer.



2. Attach a hose to the cold water faucet. Screw on coupling by hand until it is seated on the washer.



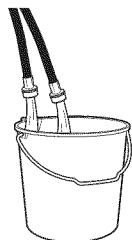
3. Using pliers, tighten the couplings with an additional two-thirds turn.



NOTE: Do not overtighten or use tape or sealants on the valve. Damage to the valves can result.

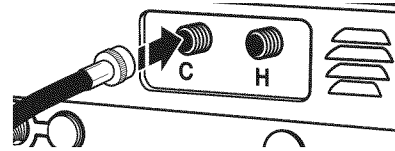
Clear Water Lines

- Run water through both faucets and inlet hoses, into a laundry tub, drainpipe, or bucket, to get rid of particles in the water lines that might clog the inlet valve screens.
- Check the temperature of the water to make sure that the hot water hose is connected to the hot water faucet and that the cold water hose is connected to the cold water faucet.

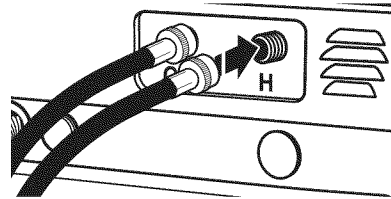


Connect Inlet Hoses to Washer

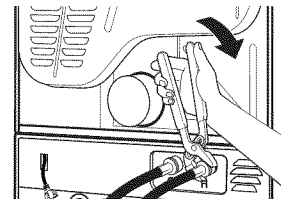
1. Attach the cold water hose to the washer's cold water inlet valve. Screw on coupling by hand until it is seated on the washer.



2. Attach the hot water hose to the washer's hot water inlet valve. Screw on coupling by hand until it is seated on the washer.

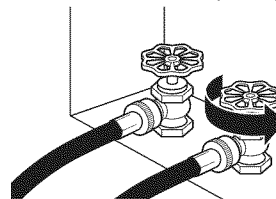


3. Using pliers, tighten the couplings with an additional two-thirds turn.



NOTE: Do not overtighten. Damage to the valve can result.

4. Turn on the water faucets completely and check for leaks.



NOTE: Replace inlet hoses after 5 years of use to reduce the risk of hose failure. Record hose installation or replacement dates on the hoses for future reference.

Periodically inspect and replace hoses if bulges, kinks, cuts, wear, or leaks are found.

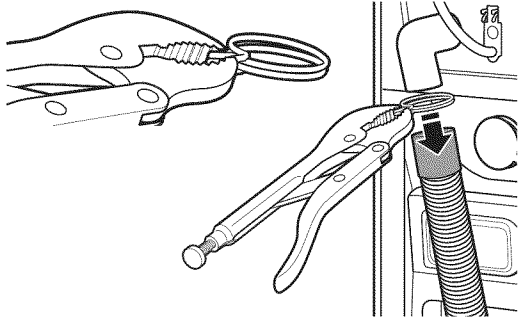
INSTALLING STACKED WASHER/DRYER

Route Drain Hose

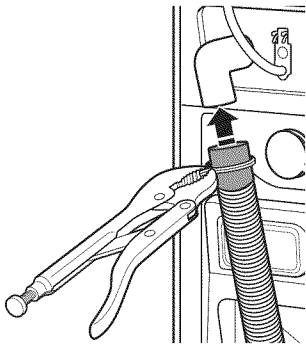
Proper routing of the drain hose avoids damage to your floor due to water leakage. Read and follow these instructions.

Remove drain hose from the washer drum

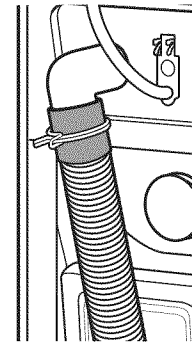
1. Using locking pliers, squeeze hose clamp tabs together and insert over the end of the drain hose.



2. Slide the drain hose onto the washer connection.



3. Once the drain hose is in place, release the pliers.



4. The washer drain system can be installed using a floor drain, wall standpipe, floor standpipe, or laundry tub.

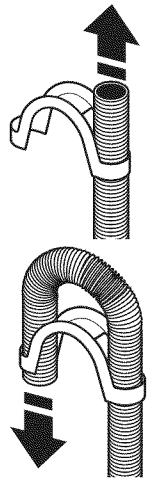
Laundry tub drain or standpipe drain

Connect the drain hose form to the corrugated drain hose.

Snap either end of the drain hose form to the drain hose at the point where the corrugation begins.

Bend drain hose over drain hose form and snap into place.

NOTE: Hose must not extend more than 1" (25 mm) past the end of the U bend.



To keep drain water from going back into the washer:

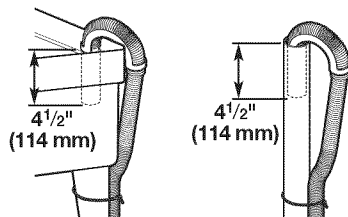
- Do not straighten the drain hose, do not force excess drain hose into standpipe. Hose should be secure, but loose enough to provide a gap for air.
- Do not lay excess hose on the bottom of the laundry tub.

Floor drain

You may need additional parts. See "Alternate Parts."

Secure Drain Hose

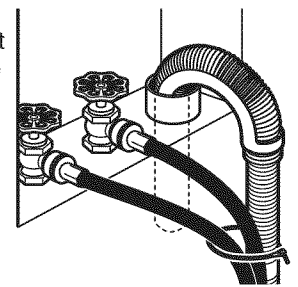
1. Drape the power cord over the washer top.
2. Move the washer to its final location.
3. Place the drain hose in the laundry tub or standpipe as shown.
4. Secure the drain hose using the supplied beaded tie strap.



5. If the washer faucets and the drain standpipe are recessed, put the hooked end of the drain hose in the standpipe as shown.

NOTES:

- Do not force excess drain hose back into the rear of the washer.
- To avoid siphoning, do not seal the drain hose into the standpipe.



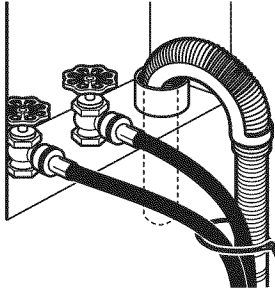
WASHER DRAIN SYSTEM

The washer can be installed using the standpipe drain system (floor or wall), the laundry tub drain system, or the floor drain system.

Standpipe drain system – wall or floor

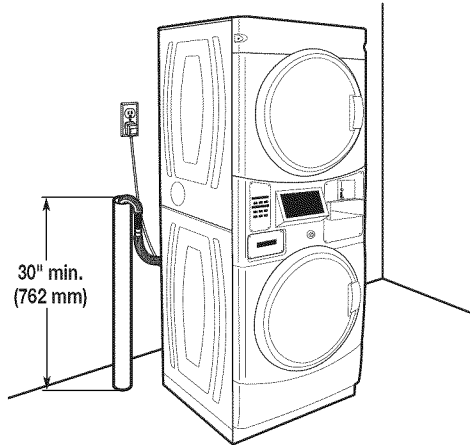
The standpipe drain requires a minimum diameter standpipe of 2" (50 mm). The minimum carry-away capacity can be no less than 10 gal. (38 L) per minute.

Wall



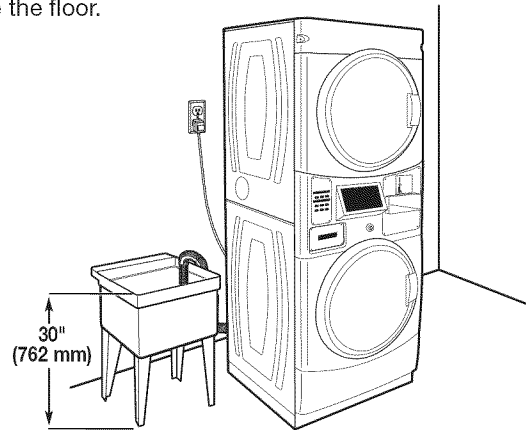
The top of the standpipe must be at least 30" (762 mm) high and no higher than 96" (2.4 m) from the bottom of the washer.

Floor



Laundry tub drain system

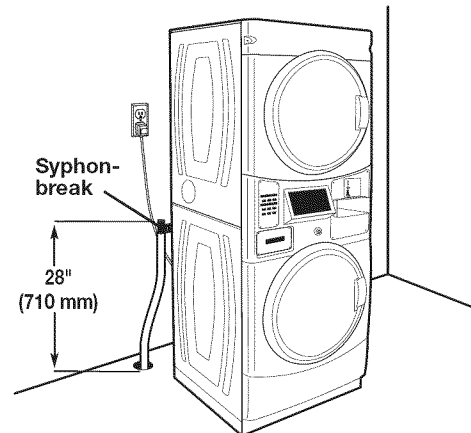
The laundry tub needs a minimum 20 gal. (76 L) capacity. The top of the laundry tub must be at least 30" (762 mm) above the floor.



Floor drain system

The floor drain system requires a siphon break that may be purchased separately.

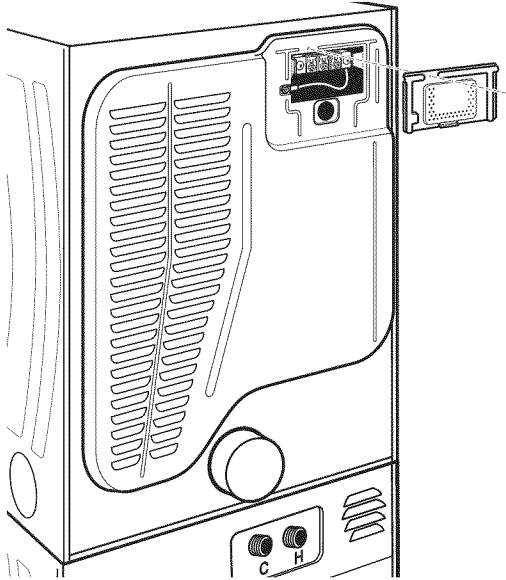
The siphon break (Part Number 285834) must be a minimum of 28" (710 mm) from the bottom of the washer. Additional hoses might be needed.



ELECTRIC DRYER ELECTRICAL CONNECTIONS

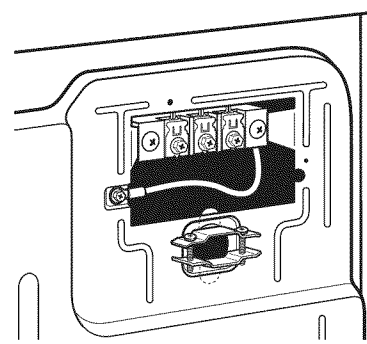
Strain Relief

Remove Terminal Block Cover

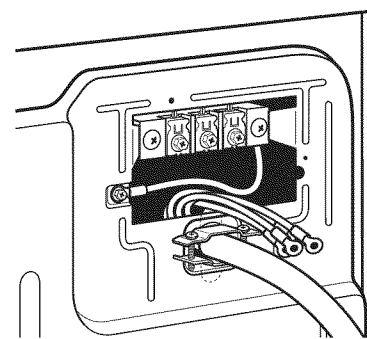


Power Supply Cord Strain Relief

1. Insert strain relief.



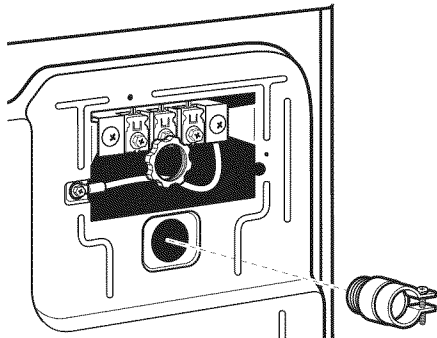
2. Insert power cord into strain relief.



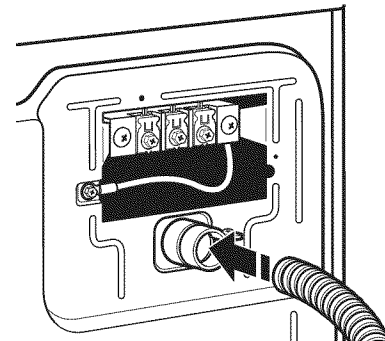
Strain Relief

Direct Wire Strain Relief

1. Insert strain relief.



2. Insert conduit into strain relief and tighten clamp.

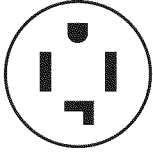


ELECTRIC DRYER ELECTRICAL CONNECTIONS

Connection Options

Power Cord

4-wire receptacle (NEMA Type 14-30R)

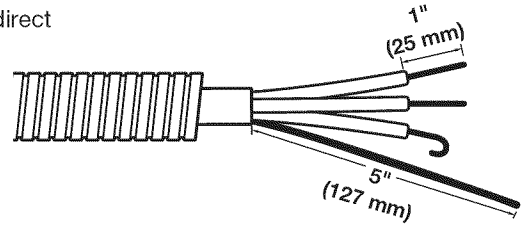


3-wire receptacle (NEMA Type 10-30R)

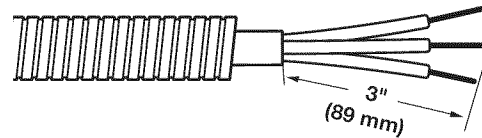


Direct Wire

4-wire direct



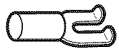
3-wire direct



Connecting 4-Wire Connection: Power Supply Cord

IMPORTANT: A 4-wire connection is required for mobile homes and where local codes do not permit the use of 3-wire connections.

Standard Power Supply Cord Connectors



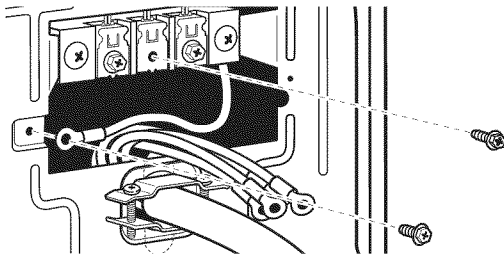
Flanged spade connector



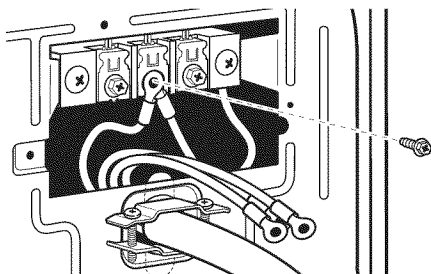
Ring Connector

Connecting Ground and Neutral Wires

1. Remove center terminal block screw and the ground wire by removing the external ground connector screw.

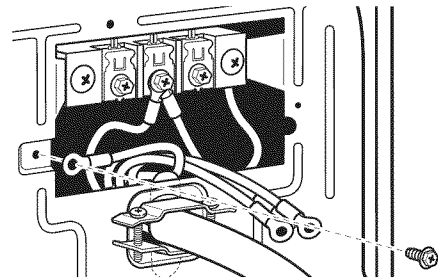


2. Connect ground and neutral wire to center terminal block.



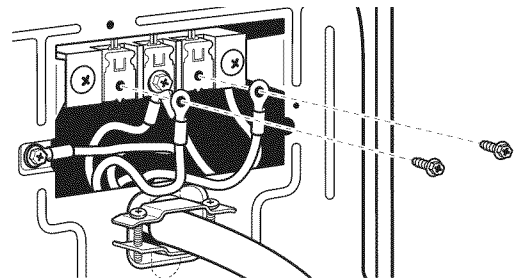
Connecting Direct Wire Ground

3. Connect ground wire (green or bare) with external ground connector screw.



Connecting Remaining Wires

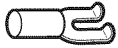
4. Connect remaining wires with outer terminal block screws.



ELECTRIC DRYER ELECTRICAL CONNECTIONS

Connecting 3-Wire Connection: Power Supply Cord

Standard Power Cord Connectors



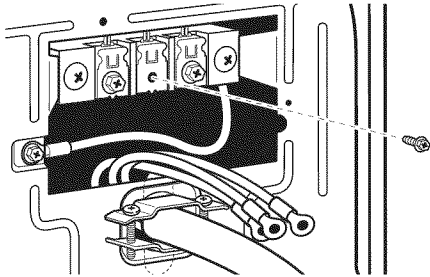
Flanged spade connector



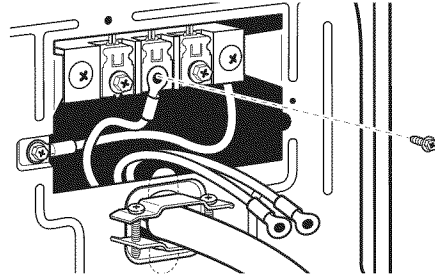
Ring Connector

Connecting Neutral Wire

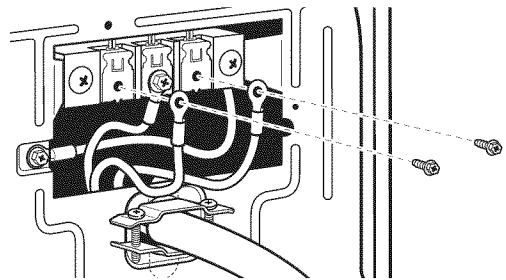
1. Loosen or remove center terminal block screw.



2. Connect neutral wire to center terminal block.



3. Connect remaining wires with outer terminal block screws.



Connecting 4-Wire Connection: Direct Wire

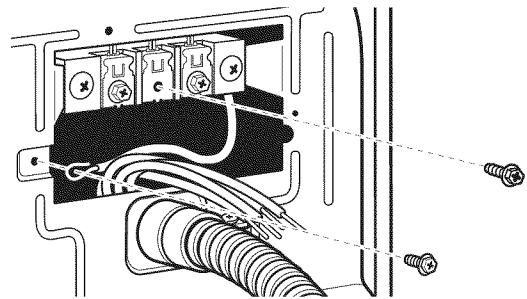
IMPORTANT: A 4-wire connection is required for mobile homes and where local codes do not permit the use of 3-wire connections.

Direct wire cable must have 5 ft. (1.52 m) of extra length so dryer can be moved if needed.

Strip 5" (127 mm) of outer covering from end of cable, leaving bare ground wire at 5" (127 mm). Cut 1½" (38 mm) from 3 remaining wires. Strip insulation back 1" (25 mm). Shape ends of wires into a hook shape.

Connecting Ground and Neutral Wires

1. Remove center terminal block screw and the ground wire by removing the external ground connector screw.

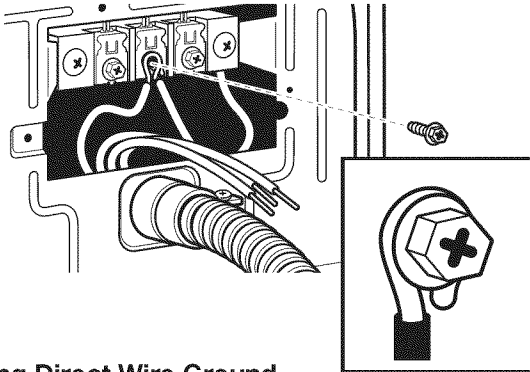


ELECTRIC DRYER ELECTRICAL CONNECTIONS

Connecting 4-Wire Connection: Direct Wire

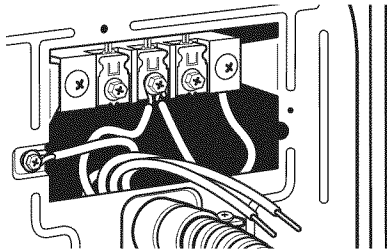
Connecting Ground and Neutral Wires (cont.)

2. Connect ground and neutral wire to center terminal block.



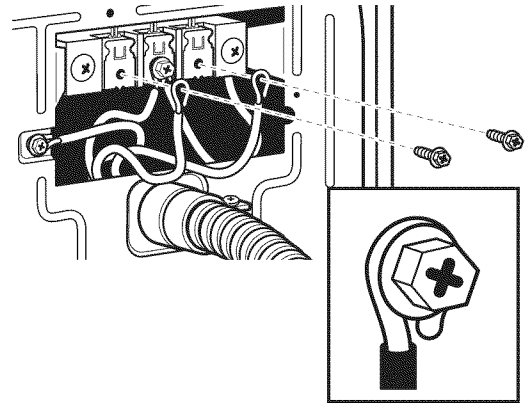
Connecting Direct Wire Ground

3. Connect ground wire (green or bare) with external ground connector screw.



Connecting Remaining Wires

4. Connect remaining wires to outer terminal block.



Connecting 3-Wire Connection: Direct Wire

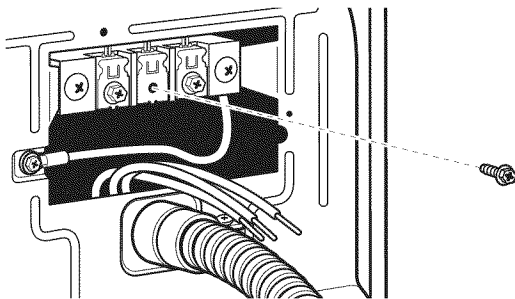
Use where local codes permit connecting cabinet-ground conductor to neutral wire.

Direct wire cable must have 5 ft. (1.52 m) of extra length so dryer can be moved if needed.

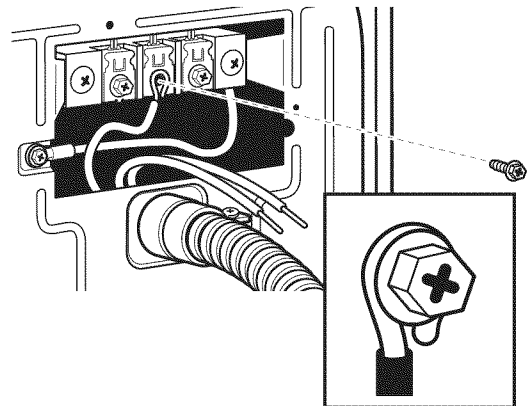
Strip 3½" (89 mm) of outer covering from end of cable. Strip insulation back 1" (25 mm). If using 3-wire cable with ground wire, cut bare wire even with outer covering. Shape ends of wires into a hook shape.

Connecting Neutral Wire

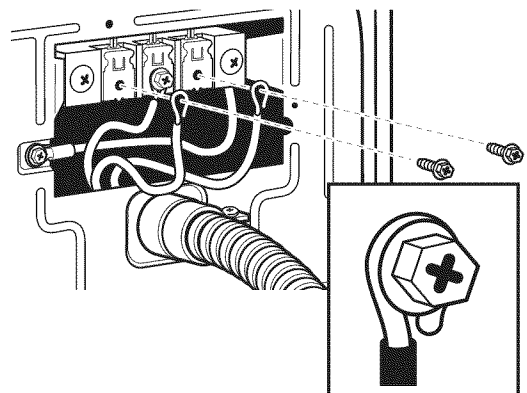
1. Loosen or remove center terminal block screw.



2. Connect neutral wire to center terminal block.



3. Connect remaining wires to outer terminal block.



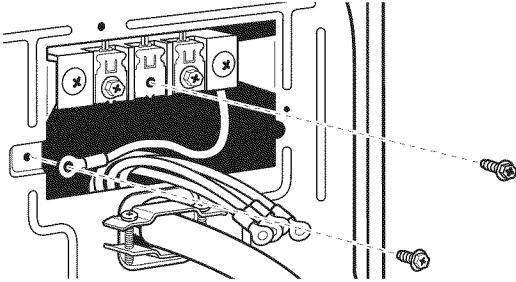
ELECTRIC DRYER ELECTRICAL CONNECTIONS

Connecting 3-Wire Connection: Optional

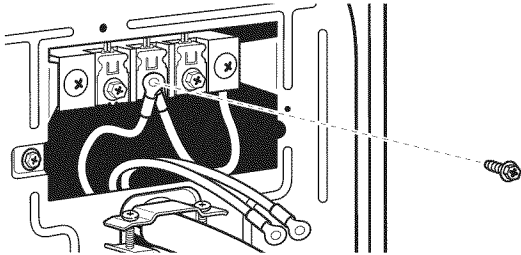
Use for direct wire or power supply cord where local codes do not permit connecting cabinet-ground conductor to neutral wire.

Connecting Neutral Wire

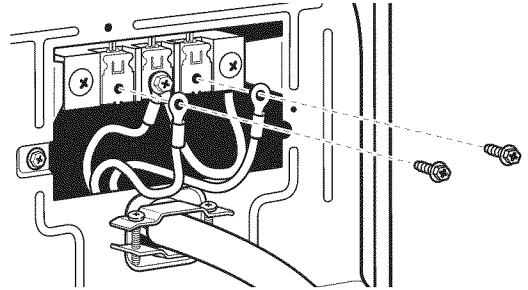
1. Remove center terminal block screw. Also remove neutral ground wire by removing external ground conductor screw.



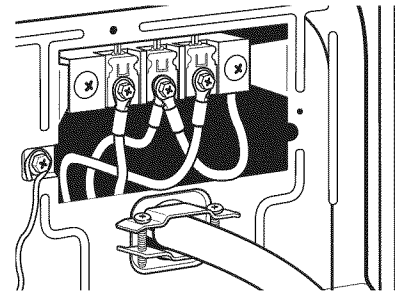
2. Connect neutral wire and neutral wire of power supply cord/cable to center terminal block.



3. Connect remaining wires to outer terminal block.



4. Connect a separate copper ground wire from the external ground conductor to an adequate ground.



LEVELING

Leveling Stacked Washer/Dryer

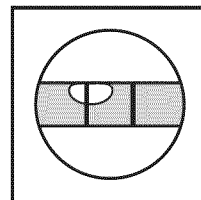
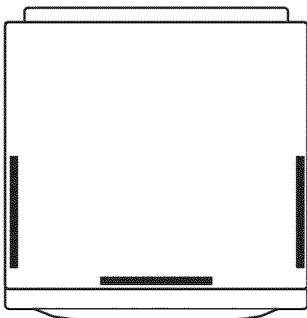
Leveling your washer/dryer properly reduces excess noise and vibration.

⚠ WARNING

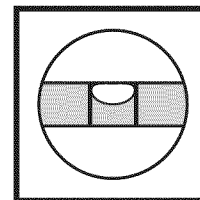
Excessive Weight Hazard

**Use two or more people to move and install washer/dryer.
Failure to do so can result in back or other injury.**

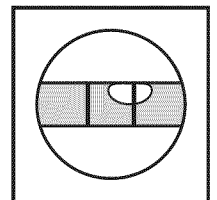
1. Remove cardboard from beneath washer/dryer. Place a level on top edges of washer/dryer, checking each side and front. If not level, tip washer/dryer and adjust feet up or down as shown in Steps 3 and 4, repeating as necessary.



Not Level



LEVEL

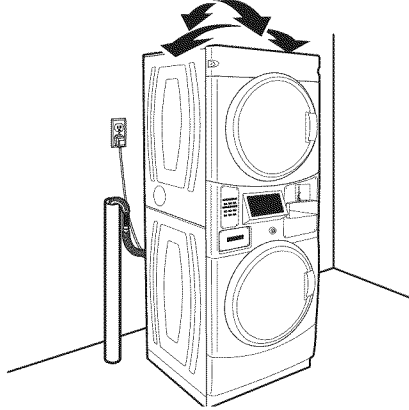


Not Level

LEVELING

Leveling Stacked Washer/Dryer (cont.)

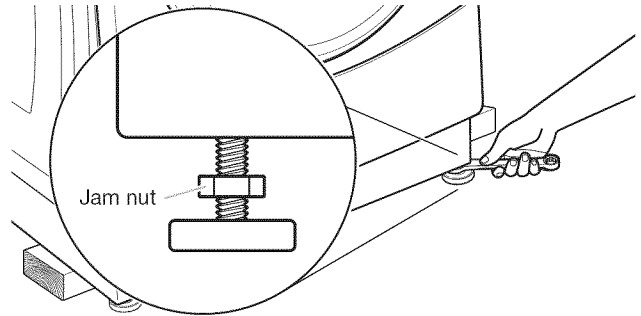
2. Grip washer/dryer from top and rock back and forth, making sure all four feet are firmly on floor. Repeat, rocking washer/dryer from side to side. If washer/dryer rocks, go to Step 3 and adjust leveling feet. If all four feet are in firm contact with floor, go to Step 4.



3. If washer/dryer is not level, use a 9/16" or 14 mm open-end or adjustable wrench to turn jam nuts clockwise (as viewed from above) on feet until they are about 1/2" (13 mm) from the washer/dryer cabinet. Then turn the leveling foot counterclockwise to lower the washer/dryer or clockwise

to raise the washer/dryer. Recheck levelness of washer/dryer and that all four feet are firmly in contact with the floor. Repeat as needed.

HELPFUL TIP: You may want to prop up front of washer/dryer about 4" (102 mm) with a wood block or similar object that will support weight of washer/dryer.



4. When washer/dryer is level and all four feet are firmly in contact with the floor, use a 9/16" or 14 mm open-end or adjustable wrench to turn jam nuts counterclockwise (as viewed from above) on leveling feet tightly against washer/dryer cabinet.

HELPFUL TIP: You may want to prop washer/dryer with wooden block.

Complete Installation

1. Check the electrical requirements. Be sure that you have the correct electrical supply and the recommended grounding method. See "Electrical Requirements."
2. Check that all parts are now installed. If there is an extra part, go back through the steps.
3. Check that you have all of your tools.
4. Dispose of/recycle all packaging materials.
5. Check that the water faucets are on.
6. Check for leaks around faucets and inlet hoses.

8. To test and to clean your washer, measure 1/2 the detergent manufacturer's recommended amount of High Efficiency (HE) detergent for a medium-size load. Pour the detergent into the detergent dispenser. Select any cycle and allow the washer to complete one whole cycle.

9. Check dryer operation. Using a full heat cycle, let the dryer run for at least five minutes. Dryer will stop when time is used up.

NOTE: Dryer door must be closed for dryer to operate. When door is open, dryer stops, but timer continues to run. To restart dryer, close door and push cycle button.

If the burner does not ignite and you can feel no heat inside the dryer, shut off dryer for five minutes. Check that all supply valve controls are in "ON" position and that the electrical cord is plugged in. Repeat five-minute test.

⚠ WARNING



Electrical Shock Hazard

Plug into a grounded 3 prong outlet.

Do not remove ground prong.

Do not use an adapter.

Do not use an extension cord.

Failure to follow these instructions can result in death, fire, or electrical shock.

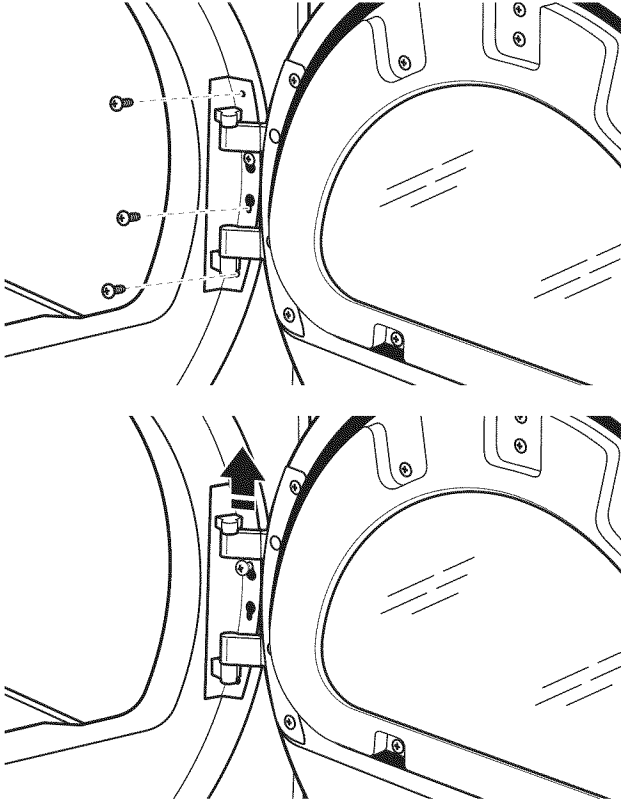
7. Plug into a grounded outlet, or connect power.

REVERSING DRYER DOOR SWING

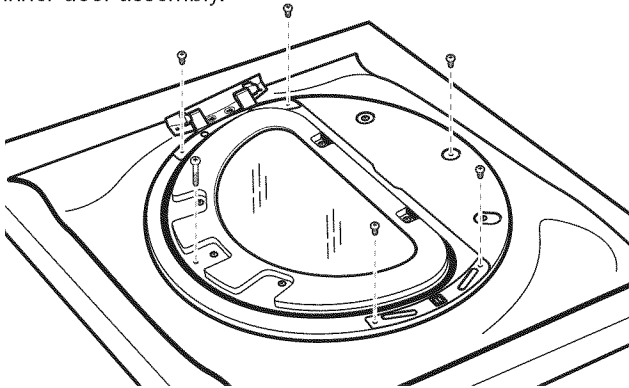
NOTE: Dryer only. Washer door is not reversible.

Remove the Door Assembly

1. Place a towel or soft cloth on top of dryer or work space to avoid scratching of the surface.
2. Remove 3 of the 4 screws that hold the door hinge on the front panel of the dryer. Partially loosen the remaining screw with keyhole opening and lift the door off the screw.

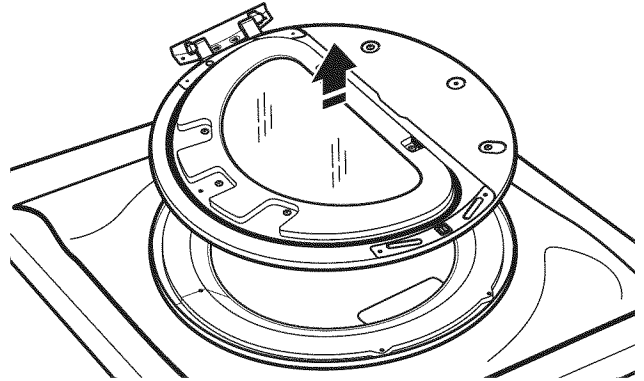


3. Lay the door assembly on a previously prepared flat surface with the inside (inner door assembly) facing up, and remove 6 phillips-head screws to release outer door assembly from inner door assembly.

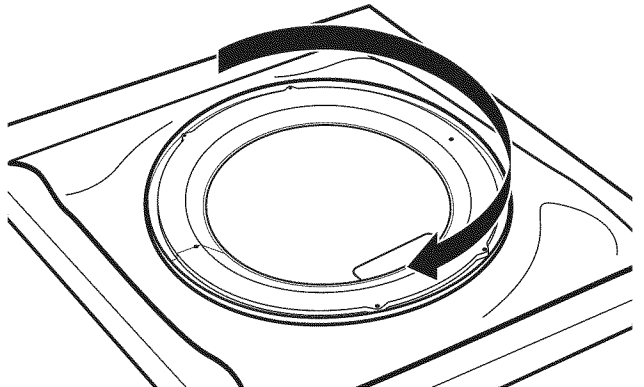


NOTE: It is important that you remove only 6 indicated screws.

4. Lift the inner door assembly off outer door assembly.

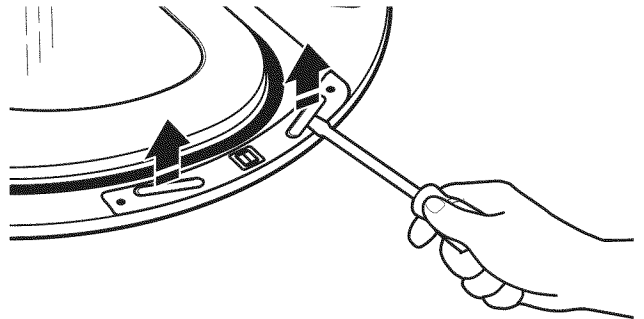


5. Rotate outer door 180°.

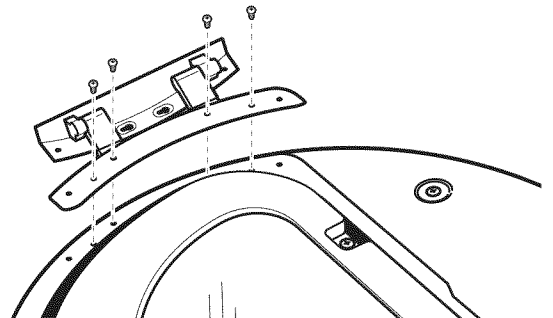


Reverse Hinge

1. Use a small flat-blade screwdriver to remove 2 plug strips from the inner door. Slide the head of the screwdriver under the plugs, without scratching inner door surface, and lift up strip.

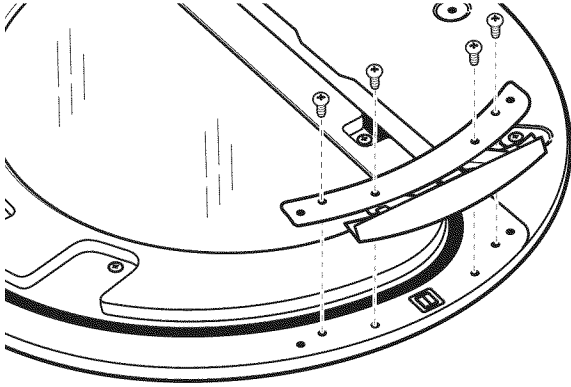


2. Remove the 4 screws that attach to inner door hinge.

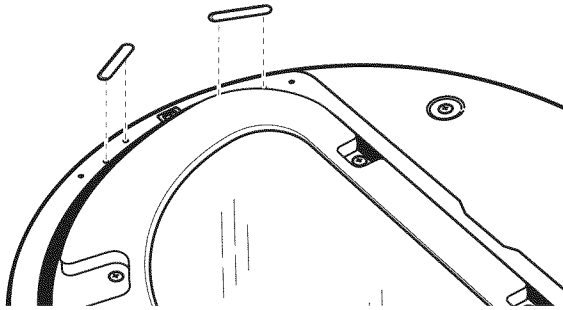


REVERSING DRYER DOOR SWING

3. Move hinge to other side. Reinstall 4 screws.



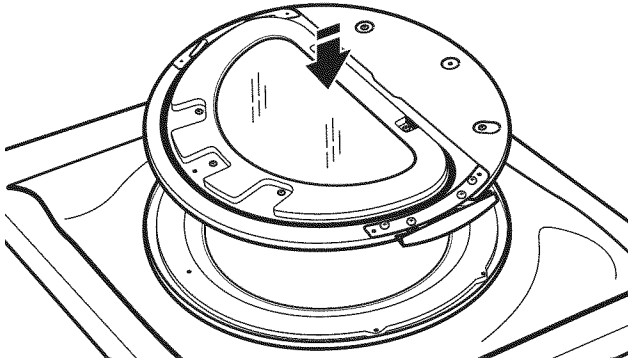
4. Reinstall plug strips on opposite side of the inner door.



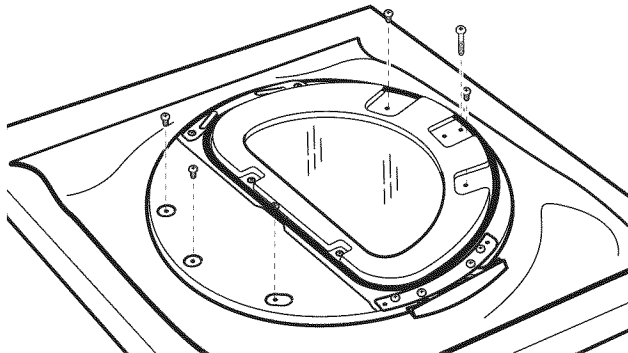
5. Check for fingerprints on the glass. Clean if necessary.

Replace the Door Assembly

1. Place the inner door assembly inside the outer door assembly.

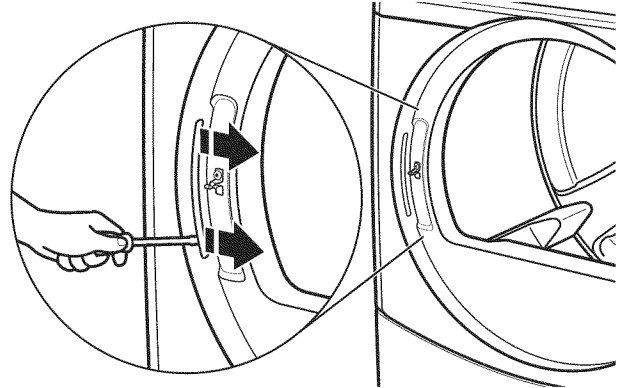


2. Reassemble the inner and outer door assemblies with the 6 screws.

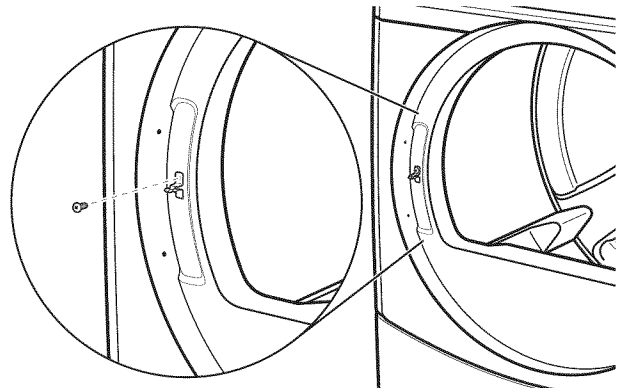


Reverse the strike

1. Use a small flat-blade screwdriver to remove plug strip from the dryer door opening. Slide the head of the screwdriver under the plugs, without scratching dryer surface, and lift up strip.



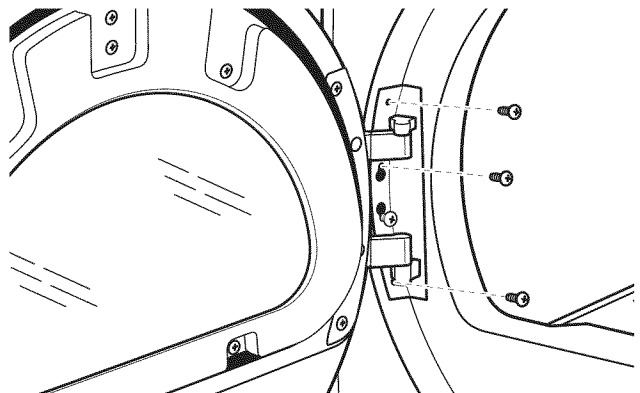
2. Remove the strike using a Phillips screwdriver.



3. Insert strike on the opposite side.

Reinstall the door

1. Partially insert the third screw from the top; then slide the hinge onto this screw while hooking the hinge into the front panel hole. Reattach door to dryer front panel with the remaining three screws.



2. Check for fingerprints on the glass. Clean if necessary.

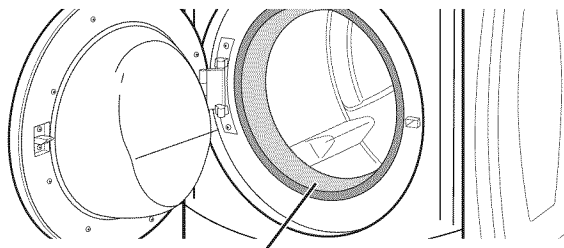
3. Close door and check that it latches securely.

STACKED WASHER/DRYER MAINTENANCE INSTRUCTIONS

Washer

Cleaning the Door Seal/Bellow

1. Open the washer door and remove any clothing or items from the washer.
2. Inspect inner glass door. If debris is present, wipe it off using a damp cloth.
3. Inspect the colored seal/bellow between the door opening and the basket for stained areas. Pull back the seal/bellow to inspect all areas under the seal/bellow and to check for foreign objects.



Seal/bellow

4. If stained areas are found, wipe down these areas of the seal/bellow:
 - a) Mix a dilute solution, using 3/4 cup (177 mL) of liquid chlorine bleach, and 1 gal. (3.8 L) of warm tap water.
 - b) Wipe the seal/bellow area with the dilute solution, using a damp cloth.
 - c) Let stand 5 minutes.
 - d) Wipe down area thoroughly with a dry cloth and let the washer interior air dry with door open.

IMPORTANT:

- Wear rubber gloves when cleaning for prolonged periods.
- Refer to the bleach manufacturer's instructions for proper use.

Maintenance Instructions:

This washer has a special cycle that uses higher water volumes in combination with liquid chlorine bleach to thoroughly clean the inside of the washer.

NOTES:

- Read these instructions completely before beginning the cleaning process.
- If necessary, the cleaning cycle may be interrupted by pressing the lower-right (QUICK CYCLE) button twice. However, this will not immediately stop the cycle. The washer will continue with several rinse and drain steps to ensure that all remaining bleach is rinsed from the washer.

To clean washer interior:

1. Open the washer door and remove any clothing or items from the washer.
2. **Use liquid chlorine bleach:**
Open the dispenser drawer and immediately add 2/3 cup (160 mL) of liquid chlorine bleach to the bleach compartment.
NOTE: Do not add any detergent. Use of more than 2/3 cup (160 mL) of bleach will cause product damage over time.
3. Close the washer door and the dispenser drawer.
4. To start the Washer Cleanout cycle, first enter "Service Mode." Then press and hold the lower-right (QUICK CYCLE) button for 2 seconds. With the entire display flashing, press the center-right (BRIGHTS) button.

To exit out of the service mode and activate the clean wash cycle, push the BRIGHTS button, then turn the key.

NOTE: The door will lock, the basket will rotate 1/2 turn, then the door will unlock and lock again, then the Washer Cleanout Cycle will continue.

- The washer will not fill, but the basket will rotate while the washer runs a short sensing cycle. This will take approximately 3 minutes.
5. The cycle will determine whether clothing or other items are in the washer.
 - a) If no items are detected in the washer, it will proceed to Step 7.
 - b) If any items are detected in the washer, "F-34" will be displayed. Then the door will unlock.
 - Enter the service mode and then press and hold the lower-right (QUICK CYCLE) button to cancel the failure code.
Then repeat steps 1, 3, and 4 to start the cycle again.
 6. Once the cycle has begun, allow the cycle to complete.
 7. After the cycle is complete, leave the door open slightly to allow for better ventilation and drying of washer interior.

STACKED WASHER/DRYER MAINTENANCE INSTRUCTIONS

Washer

Always do the following to maintain washer freshness:

- Use only HE High Efficiency detergent.
- Leave the door slightly open after each cycle to allow for better ventilation and drying of washer interior.
- Clean the washer monthly using the Washer Maintenance Procedure, using 2/3 cup (160 mL) of liquid chlorine bleach.
- If the procedure does not sufficiently improve the washer freshness, please evaluate your installation and usage conditions for other causes.

Cleaning the exterior

Use a soft damp cloth or sponge to wipe up any spills. Occasionally wipe the outside of your washer to keep it looking new. Use mild soap and water. Do not use abrasive products.

Cleaning the dispenser drawer

The dispenser drawer is removable for easy cleaning.

1. Unlock the dispenser drawer for removal by inserting a flat-blade screwdriver into the catch release. Remove the dispenser drawer.
2. Remove the inserts (the siphon from the softener and bleach compartments).
3. Wash the parts under running water.

NOTE: Do not wash components in the dishwasher.

4. Replace the inserts and return the dispenser to the drawer.

Water inlet hoses

Replace the inlet hoses after 5 years of use to reduce the risk of hose failure. Periodically inspect and replace inlet hoses if bulges, kinks, cuts, wear, or leaks are found.

When replacing your inlet hoses, record the date of replacement.

Dryer

Maintenance instructions:

- Clean lint screen before and after each cycle.
- Removing accumulated lint:

From inside the dryer cabinet:

Lint should be removed every 2 years or more often, depending on dryer usage. Cleaning should be done by a qualified person.

From the exhaust vent:

Lint should be removed every 2 years, or more often, depending on dryer usage.

- Keep area around dryer clear and free from combustible materials, gasoline and other flammable vapors and liquids.
- Keep dryer area clear and free from items that would obstruct the flow of combustion and ventilation air.

If dryer does not operate, check the following:

- Electrical supply is connected.
- Circuit breaker is not tripped or house fuse is not blown.
- Door is closed. Listen closely to hear the door switch activate.
- Cycle selection button has been pushed firmly.
- For gas dryers, check that gas supply shut-off valves are set in open position.

IF YOU NEED ASSISTANCE

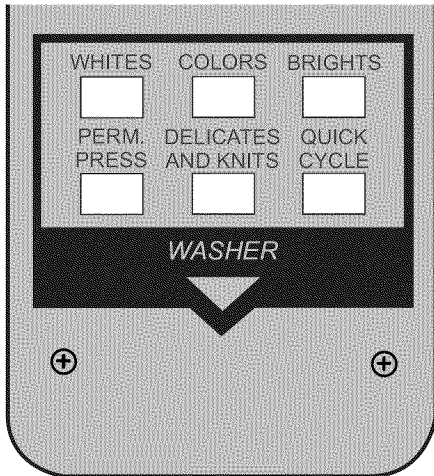
Contact your authorized Maytag® Commercial Laundry distributor. To locate your authorized Maytag® Commercial Laundry distributor, or for web inquiries, visit www.MaytagCommercialLaundry.com.

If you cannot locate your distributor, the Commercial Laundry Support Center will answer any questions about operating or maintaining your washer/dryer not covered in the "Installation Instructions."

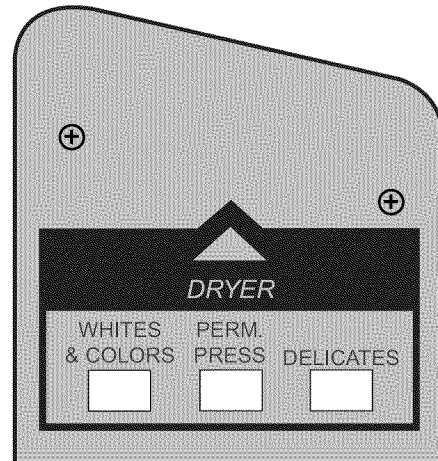
Just dial 1-800 NO BELTS (1-800-662-3587) — the call is toll free.

When you call, you will need the washer/dryer model numbers and serial numbers. Both numbers can be found on the serial-rating plate located in the dryer door well.

ELECTRONIC CONTROL SETUP INSTRUCTIONS



Washer control



Dryer control

NOTE: After the washer/dryer has been installed and plugged in, the display will show “0 MINUTES” on the washer and dryer portions of the display. After the washer and dryer doors have been opened and closed, the display will show the price for each machine. On washer/dryers set for free cycles, the display sections will flash “SELECT CYCLE.”

1. PD Models: Insert coins until “SELECT CYCLE” flashes on the display portion of the washer or dryer that is to be run.

PR Models: A debit card is required rather than coins. Generation 1 or 2 debit card systems may be used; but when the Generation 2 debit system is used, the controls will automatically be set to Enhanced Debit mode (J. Ed). In Enhanced Debit mode, the card balance will also display when a debit card is inserted into the reader.

2. Door must be closed on the desired washer/dryer before cycle selection is made.
3. Press the fabric setting button for the washer/dryer cycle desired. After the cycle is started, the time will display and count down.
4. If a cycle is interrupted by opening the door or power loss, “RESELECT CYCLE” will flash in the display. To restart the washer/dryer, close door and reselect desired cycle.

NOTE: When set for free vend operation an ongoing dryer cycle will cancel if the door is opened.

General Washer/Dryer User Information

SCROLLING “OUT OF ORDER” MESSAGE, FOLLOWED BY A FAILURE OR DIAGNOSTIC CODE, SHOWING IN DISPLAY – This condition indicates the washer/dryer is inoperative. Diagnostic codes being displayed on the upper portion of the display pertain to the dryer section, and diagnostic codes displayed on the lower portion of the display apply to the washer section. Diagnostic codes displayed on both the upper and lower portions of the display pertain to the control system of both the washer and dryer.

“0 MINUTES” SHOWING IN DISPLAY – This indicates the cycle is complete and the washer/dryer cannot be operated. Coins dropped or debit inputs during this condition will be stored in escrow but cannot be used until normal operation is restored by opening and closing the door. If a door switch has failed, causing “0 MINUTES” to remain in the display after the door is opened and closed, it must be replaced before normal operation can be restored.

COLD START (Initial first use) – Washer/dryer is programmed at the factory as follows:

Washer	11-minute wash period
	\$1.75 wash price (PD models)
	\$0.00 wash price (PR models)
	3 rinses (extra rinse not enabled)
Dryer	5 minutes per quarter for PD models
	45 minutes dry time for PR models
	\$1.50 dry price (fixed cycle with top off – PD Models)
	\$0.00 dry price (fixed cycle – PR Models)

ELECTRONIC CONTROL SETUP INSTRUCTIONS

WARM START (after power failure) – A few seconds after power is restored, if a cycle was in progress at the time of the power failure, “RESELECT CYCLE” will flash in the display, indicating the need for a key press to restart washer or dryer.

WASHER DOOR LOCK – Prior to beginning a cycle, there is a door lock routine of lock/unlock/relock, then cycle begins. The door will remain locked until the end of a cycle or approximately 2 minutes after a power interruption.

PRICING – After the door is opened and then closed following the completion of a cycle, the display indicates the cycle price (unless set for free operation, where the display will flash “SELECT CYCLE”). As coins are dropped or debit inputs arrive, the display will change to lead the user through the initiation of a cycle.

There are four (4) types of dryer pricing:

Fixed “Vend” Pricing

A dryer setup for “Fixed Cycle” operation can only accept additional time accumulated by increments equal to the length of a complete dry cycle. A maximum of 99 minutes may be purchased; no additional credit is given for coins dropped with 99 minutes in the display.

Accumulator Pricing

If the price is set to one coin 1, then accumulator pricing is in effect. Cycle time can be purchased one coin at a time (PD models) up to the maximum time of 99 minutes.

Fixed Cycle With Top Off Pricing

A dryer set to offer “Top Off” capability will allow time to be added to an existing dry cycle in increments equal to the number of minutes of dry time per quarter (coin 1), up to 99 minutes, regardless of the cost required to start the dryer. No credit is given for coins or debit inputs entered when the control is displaying 99 minutes.

PR Models: In Enhanced Debit Mode, the top off price can be set independently (see VALUE OF COIN 2), and the top off time is calculated according to the following equation:

$$\text{top off time} = \frac{\text{top off price}}{\text{full cycle price}} \times \text{full cycle length}$$

Penny increment offset is not applied to top off purchases.

FREE CYCLES – This is established by setting the cycle price to zero. When this happens, “SELECT CYCLE” will appear rather than a cycle price. Any cycle started as a free cycle will automatically terminate when the door is opened.

DEBIT CARD READY – This washer/dryer is debit card ready. It will accept a variety of debit card systems, but does NOT come with a debit card reader. Refer to the debit card reader manufacturer for proper washer/dryer setup. In models converted to a Generation 1 debit card system, debit pulses represent the equivalent of one coin (coin 1).

Control Set-up Procedures

IMPORTANT: Read all instructions before operating.

PD/PR Models: Insert service switch key and turn counterclockwise.

PR Models: Once a Generation 2 debit card reader is installed (according to the reader manufacturer’s instructions), the set-up modes can only be changed by inserting a set-up card (supplied by the reader manufacturer) into the card slot. Inserting the service switch key and turning will only allow access to the service mode.

The washer/dryer is now in the set-up mode. The lower fabric setting buttons and the lower portion of the display are used to set up the digital control for the washer. The upper three fabric setting buttons and the upper portion of the display are used to set up the controls for the dryer.

The display can contain 4 numbers and/or letters and a decimal point on both the top and bottom display portions. These are used to indicate the set-up codes and related code values available for use in programming the washer/dryer.

How to Use the Buttons to Program the Controls

1. The lower-left (PERM. PRESS) button is used to adjust the values associated with washer set-up codes and the upper-left (WHITES & COLORS) button is for the dryer. Pressing the button will change the value by increments. Rapid adjustment is possible by holding the button down.
2. The lower-middle (DELICATES AND KNITS) button will advance through the set-up codes. Pressing the button will advance both the washer and dryer to the next available set-up code. Some set-up codes are washer- or dryer-specific and will not be displayed on both the washer and dryer portions of the display. Holding down the lower-middle (DELICATES AND KNITS) button will automatically advance through the set-up codes at a rate faster than 1 per second.
3. The lower-right (QUICK CYCLE) button is used to select or deselect washer options; upper-right (DELICATES) is used for dryer option selection or deselection.

ELECTRONIC CONTROL SETUP INSTRUCTIONS

Start Operating Set-up

Washer/dryers are preset at the factory and do not require any programming. However, if you want to change the settings, follow the "Set-Up Codes" guide.

The code at the beginning of each segment is the factory default setting for the PD Models and is the same for the PR Models unless noted otherwise.

The set-up code is indicated by the one or two left-hand characters. The set-up code value is indicated by the two or three right-hand characters.

Set-Up Codes

Code	Explanation
6 07 REGULAR CYCLE PRICE (WASHER)	
6 07	Represents the number of quarters (coin 1) to start the washer; may adjust from 0–39. (See VALUE OF COIN 1.) Advance from 0–39 by pressing the lower-left (PERM. PRESS) button. Factory default of 7 quarters = \$1.75.
6 00	PR MODELS ONLY: Factory default of 6 00, or 0 quarters. <ul style="list-style-type: none"> • Press the lower-middle (DELICATES AND KNITS) button once to advance to next code.
606 REGULAR CYCLE PRICE (DRYER)	
606	Represents the number of quarters (coin 1) needed to start the dryer; may adjust from 0–39 (See VALUE OF COIN 1). Advance from 0–39 by pressing the upper-left (WHITES & COLORS) button. Factory default of 6 quarters = \$1.50.
600	PR MODELS: Factory default of 6 00, or 0 quarters. <ul style="list-style-type: none"> • Press the lower-middle (DELICATES AND KNITS) button once to advance to next code.
7 11 WASH LENGTH (WASHER)	
7 11	This is the number of minutes for WASH. Washer comes from the factory preset with 11 minutes. Choose from 9–17 minutes by pressing the lower-left (PERM. PRESS) button. <ul style="list-style-type: none"> • Press the lower-middle (DELICATES AND KNITS) button once to advance to next code.
705 REGULAR DRY TIME (DRYER)	
705	PD MODELS: Represents the number of minutes per quarter (coin 1). Factory default of 5 minutes per coin. Example: 6 quarters x 5 minutes = 30 minutes. By pressing the upper-left (WHITES & COLORS) button, value adjusts from 1–99 minutes.
745	PR MODELS: Represents the cycle length for free cycles. As example: "7 45" = 45 minutes. <ul style="list-style-type: none"> • Press the lower-middle (DELICATES AND KNITS) button once to advance to next code.

Code	Explanation
8 00 ADDITIONAL RINSE OPTION (WASHER) This option is either NOT SELECTED "00" or SELECTED "ar."	
8 00	Not Selected "00."
8 Ar	Selected "ar." Cannot be combined with the Super Cycle rinse option. <ul style="list-style-type: none"> • Press the lower-right (QUICK CYCLE) button once to change this selection. • Press the lower-middle (DELICATES AND KNITS) button once to advance to next code.
800 TYPE OF DRYER PRICING (DRYER)	
800	Fixed Cycle with Top Off. For detailed description, see "General Washer/Dryer User Information."
8FC	PR MODELS ONLY: Factory default of FC. Fixed Cycle. For detailed description, see "General Washer/Dryer User Information." Use the upper-right (DELICATES) button to change this selection. <ul style="list-style-type: none"> • Press the lower-middle (DELICATES AND KNITS) button once to advance to next code.
9 00 CYCLE COUNTER OPTION This option is either NOT SELECTED "00" or SELECTED "0C."	
9 00	Not Selected "00."
9 0C	Selected "0C" and not able to be deselected. <ul style="list-style-type: none"> • Press the lower-right (QUICK CYCLE) button 3 consecutive times to select "0C." Once selected "0C" it cannot be deselected. • Press the lower-middle (DELICATES AND KNITS) button once to advance to next code.

If cycle counter (9 0C) is selected, the following is true:

1 00	Cycles in HUNDREDS	1 <u>02</u> = 200
2 00	Cycles in ONES	2 <u>25</u> = 25
TOTAL CYCLES = 225		

This is "VIEW ONLY" and cannot be cleared.

- Press the lower-middle (DELICATES AND KNITS) button once to advance to next code.

ELECTRONIC CONTROL SETUP INSTRUCTIONS

Code	Explanation
1. 00	MONEY COUNTER OPTION This option is either NOT SELECTED "00" or SELECTED "0C."
1. 00	Not Selected "00."
1. 0C	Selected "0C." <ul style="list-style-type: none"> Press the lower-right (QUICK CYCLE) button 3 consecutive times to select "0C" and 3 consecutive times to deselect (Not Selected "00"). Counter resets by going from "OFF" to "ON."
1. C0	Selected "C0" and not able to be deselected. <ul style="list-style-type: none"> To select "C0" and not able to be deselected, first select "0C," then within 2 seconds, press the lower-middle (DELICATES AND KNITS) button twice, the lower-left (PERM. PRESS) button once, and exit set-up mode. Press the lower-middle (DELICATES AND KNITS) button once to advance to next code.

Code	Explanation
2. 00	SPECIAL PRICING OPTIONS This option is either NOT SELECTED "00" or SELECTED "SP."
2. 00	Not Selected "00," and next available code will be A.00
2. SP	Selected "SP." <ul style="list-style-type: none"> Press the lower-right (QUICK CYCLE) button once to change this selection.

If SPECIAL PRICING OPTION is selected, there is access to codes "3.XX" through "9.XX."

- Press the lower-middle (DELICATES AND KNITS) button once to advance to next code.

If money counter (1.0C or 1.C0) is selected, the following is true:

3 00	Dollars in HUNDREDS	3 <u>01</u> = \$100.00
4 00	Dollars in ONES	4 <u>68</u> = \$ 68.00
5 00	Number of CENTS	5 <u>75</u> = \$ 00.75
		TOTAL = \$168.75

OPTIONS 3.XX – 9.XX TO USE IF SPECIAL PRICING IS SELECTED

Code	Explanation
3. 07	SPECIAL CYCLE PRICE (WASHER)
3. 07	Represents the number of quarters (coin 1) to start the washer; may adjust from 0–39. (See VALUE OF COIN 1.) <ul style="list-style-type: none"> Advance from 0–39 by pressing the lower-left (PERM. PRESS) button. Factory default of 7 quarters = \$1.75
3. 00	PR MODELS ONLY: Factory default of 0 quarters. <ul style="list-style-type: none"> Press the lower-middle (DELICATES AND KNITS) button once to advance to next code.
3.06	SPECIAL CYCLE PRICE (DRYER)
3.06	Represents the number of quarters (coin 1) to start the dryer; may adjust from 0–39. (See VALUE OF COIN 1). <ul style="list-style-type: none"> Advance from 0–39 by pressing the upper-left (WHITES & COLORS) button. Factory default of 6 quarters = \$1.50.
3.00	PR MODELS: Factory default of 0 quarters. <ul style="list-style-type: none"> Press the lower-middle (DELICATES AND KNITS) button once to advance to next code.
4.05	SPECIAL DRY TIME (DRYER)
4.05	PD MODELS: Represents the number of minutes per quarter (coin 1). <ul style="list-style-type: none"> Factory default of 5 minutes per coin. Example: 6 quarters x 5 minutes = 30 minutes. By pressing the upper-left (WHITES & COLORS) button, the value can be adjusted from 1–99 minutes.
4.45	PR MODELS: Represents the fixed cycle time in minutes. Example: "4 45" = 45 minutes. <ul style="list-style-type: none"> Press the lower-middle (DELICATES AND KNITS) button once to advance to next code.
5. 00	TIME-OF-DAY CLOCK, MINUTES
5. 00	This is the TIME-OF-DAY CLOCK, minute setting; select 0–59 minutes by pressing the lower-left (PERM. PRESS) button. <ul style="list-style-type: none"> Press the lower-middle (DELICATES AND KNITS) button once to advance to next code.
6. 00	TIME-OF-DAY CLOCK, HOURS NOTE: Uses military time or 24 hr. clock.
6. 00	This is the TIME-OF-DAY CLOCK, hour setting; select 0–23 hours by pressing the lower-left (PERM. PRESS) button. <ul style="list-style-type: none"> Press the lower-middle (DELICATES AND KNITS) button once to advance to next code.

ELECTRONIC CONTROL SETUP INSTRUCTIONS

Code	Explanation
7. 00	SPECIAL PRICE START HOUR NOTE: Uses military time or 24 hr. clock.
7. 00	This is the start hour; 0–23 hours. <ul style="list-style-type: none"> • Select START HOUR by pressing the lower-left (PERM. PRESS) button. • Press the lower-middle (DELICATES AND KNITS) button once to advance to next code.
8. 00	SPECIAL PRICE STOP HOUR NOTE: Uses military time or 24 hr. clock.
8. 00	This is the stop hour; 0–23 hours. <ul style="list-style-type: none"> • Select STOP HOUR by pressing the lower-left (PERM. PRESS) button. • Press the lower-middle (DELICATES AND KNITS) button once to advance to next code.
9. 10	SPECIAL PRICE DAY
9. 10	This represents the day of the week and whether special pricing is selected for that day. A number followed by “0” indicates no selection that particular day (9.10). A number followed by an “S” indicates selected for that day (9.1S). To change the value of “0” and “S,” use the lower-right (QUICK CYCLE) button. Days of the week (1–7) are selected by pressing the lower-left (PERM. PRESS) button.

When exiting set-up code “9,” the display must show the current day of week:

DISPLAY	DAY OF WEEK	CODE (selected)
10	Day 1=Sunday	1S
20	Day 2=Monday	2S
30	Day 3=Tuesday	3S
40	Day 4=Wednesday	4S
50	Day 5=Thursday	5S
60	Day 6=Friday	6S
70	Day 7=Saturday	7S

- Press the lower-middle (DELICATES AND KNITS) button once to advance to next code.

A. 00	VAULT VIEWING OPTION This option is either NOT SELECTED “00” or SELECTED “SC.”
A. 00	Not Selected “00.”
A. SC	Selected “SC.” <ul style="list-style-type: none"> • Press the lower-right (QUICK CYCLE) button once to change this selection. When selected, the money and/or cycle counts will be viewable (if counter option(s) is selected) when the coin box is removed. • Press the lower-middle (DELICATES AND KNITS) button once to advance to next code.

Code	Explanation
b. 05	VALUE OF COIN 1
b. 05	This represents the value of coin 1 in number of nickels: 05 = \$0.25. <ul style="list-style-type: none"> • By pressing the lower-left (PERM. PRESS) button, there is an option of 1–199 nickels. • Press the lower-middle (DELICATES AND KNITS) button once to advance to next code.
C. 20	VALUE OF COIN 2/VALUE OF DRYER TOP OFF
C. 20	This represents the value of coin 2 in number of nickels: 20 = \$1.00.
C. 05	PR MODELS: Factory default of \$0.25. For models using Enhanced Debit, this field represents the value of top off in nickels. <ul style="list-style-type: none"> • By pressing the lower-left (PERM. PRESS) button, there is an option of 1–199 nickels. • Press the lower-middle (DELICATES AND KNITS) button once to advance to next code.
E. 00	ADD COINS OPTION This option is either NOT SELECTED “00” or SELECTED “AC.” This option causes the customer display to show the number of coins (coin 1) to enter, rather than the dollars-and-cents amount. The number in the display changes as the coins are accepted.
E. 00	Not Selected “00.”
E. AC	Selected “AC.” <ul style="list-style-type: none"> • Press the lower-right (QUICK CYCLE) button 3 consecutive times to change this selection. • Press the lower-middle (DELICATES AND KNITS) button once to advance to next code.
F. 00	ENHANCED PRICING OPTION (WASHER)
F. 00	Not Selected “00.”
F. CP	Cycle-Based pricing enabled. This option allows configuration of different prices for cold, warm, and hot water wash cycles.
F. SU	Super Cycle pricing enabled. This option allows customers to upgrade cycles by depositing extra money. Set-up codes “H.” and “h.” will be displayed only when this option is enabled. <ul style="list-style-type: none"> • Press the lower-right (QUICK CYCLE) button to change this selection. • Press the lower-middle (DELICATES AND KNITS) button once to advance to next code.

ELECTRONIC CONTROL SETUP INSTRUCTIONS

Code	Explanation
H. 01	SUPER CYCLE UPGRADE PRICE (WASHER) (Skipped unless Super Cycle pricing is enabled.)
H. 01	This represents the number of coin 1 required to upgrade a base cycle to a super cycle. <ul style="list-style-type: none"> • Advance from 0–39 by pressing the lower-left (PERM. PRESS) button. • Press the lower-middle (DELICATES AND KNITS) button once to advance to next code.
h. 01	SUPER CYCLE TYPE (WASHER) (Skipped unless Super Cycle pricing is enabled.)
h. 01	This represents the Super Cycle upgrade option. <ul style="list-style-type: none"> • Press the lower-left (PERM. PRESS) button to step through upgrade options 1 through 3 as follows: <ul style="list-style-type: none"> 01 – enhanced wash, extra 3 minutes of wash tumble in addition to the programmed wash time. 02 – extra rinse for all cycles. 03 – both 01 and 02. • Press the lower-middle (DELICATES AND KNITS) button once to advance to next code.
J. Cd	PAYMENT MODE (COIN/DEBIT OPTION)
J. Cd	Both coin and debit selected. Press the lower-right (QUICK CYCLE) button 3 consecutive times to change this selection.
J. C_	Coins selected, debit disabled. Press the lower-right (QUICK CYCLE) button 3 consecutive times to change this selection.
J._d	PR models: Factory default to J._d. Debit Card selected, coins disabled. Press the lower-right (QUICK CYCLE) button 3 consecutive times to change this selection.
J. Ed	Enhanced Debit is self-selected when a Generation 2 card reader is installed in the washer/dryer. The Ed option cannot be manually selected or deselected. <ul style="list-style-type: none"> • Press the lower-middle (DELICATES AND KNITS) button once to advance to next code.
L. 00	PRICE SUPPRESSION OPTION This option causes the customer display to show “ADD” or “AVAILABLE” rather than the amount of money to add. (Used mainly in debit installations.)
L. 00	Not Selected “00.”
L. PS	Selected “PS.” <ul style="list-style-type: none"> • Press the lower-right (QUICK CYCLE) button once to change this selection. • Press the lower-middle (DELICATES AND KNITS) button once to advance to next code.
n. CE	CLEAR ESCROW OPTION When selected, money held in escrow for 30 minutes without further escrow or cycle activity will be cleared.
n. 00	Not Selected “00.”
n. CE	Selected “CE.” <ul style="list-style-type: none"> • Press the lower-right (QUICK CYCLE) button once to change this selection. • Press the lower-middle (DELICATES AND KNITS) button once to advance to next code.

Code	Explanation
r. 800	TOP SPIN SPEED RPM (WASHER)
r. 800	This can be selected from the following spin speeds: 600 rpm, 750 rpm, 800 rpm, 1000 (displays as 999) rpm. <ul style="list-style-type: none"> • Step between speeds by pressing the lower-left (PERM. PRESS) button. Factory default of 800 rpm. • Press the lower-middle (DELICATES AND KNITS) button once to advance to next code.
U. 00	PENNY INCREMENT OFFSET (WASHER)
U. 00	This represents the penny increment price offset used in Generation 2 (Enhanced Debit) PR models. Choose from 0–4 pennies by pressing the lower-left (PERM. PRESS) button. <ul style="list-style-type: none"> • Press the lower-middle (DELICATES AND KNITS) button once to advance to next code.
U.00	PENNY INCREMENT OFFSET (DRYER)
U.00	This represents the penny increment price offset used in Generation 2 (Enhanced Debit) PR models. Choose from 0–4 pennies by pressing the upper-left (WHITES & COLORS) button. <ul style="list-style-type: none"> • Press the lower-middle (DELICATES AND KNITS) button once to advance to next code.
A1. 00	PREWASH LENGTH (WASHER)
A1. 00	This is the number of minutes of PREWASH. Choose 00 to disable the prewash or select between 2 and 7 minutes by pressing the lower-left (PERM. PRESS) button. <ul style="list-style-type: none"> • Press the lower-middle (DELICATES AND KNITS) button once to advance to next code.
A2. 03	FINAL SPIN LENGTH (WASHER)
A2. 03	This is the number of minutes of final high speed spin. Choose from 03–08 minutes by pressing the lower-left (PERM. PRESS) button. <ul style="list-style-type: none"> • Press the lower-middle (DELICATES AND KNITS) button once to advance to next code.

END of SET-UP PROCEDURES.

EXIT FROM SET-UP MODE

PD Models: Turn service switch key clockwise and remove it.

PR Models: Remove manual set-up card.

MAYTAG® COMMERCIAL SINGLE-LOAD AND VENDED MULTI-LOAD WASHER AND DRYER WARRANTY

LIMITED WARRANTY ON PARTS

For the first five years from the date of purchase, when this commercial appliance is installed, maintained and operated according to the instructions attached to or furnished with the product, Maytag brand of Whirlpool Corporation (hereafter "Maytag") will pay for factory specified parts or original equipment manufacturer parts to correct defects in materials or workmanship. Proof of original purchase date is required to obtain service under this warranty.

ITEMS MAYTAG WILL NOT PAY FOR

1. All other costs including labor, transportation, or custom duties.
 2. Service calls to correct the installation of your commercial appliance, to instruct you how to use your commercial appliance, to replace or repair fuses, or to correct external wiring or plumbing.
 3. Repairs when your commercial appliance is used for other than normal, commercial use.
 4. Damage resulting from improper handling of product during delivery, theft, accident, alteration, misuse, abuse, fire, flood, acts of God, improper installation, installation not in accordance with local electrical or plumbing codes, or use of products not approved by Maytag.
 5. Pickup and Delivery. This commercial appliance is designed to be repaired on location.
 6. Repairs to parts or systems resulting from unauthorized modifications made to the commercial appliance.
 7. The removal and reinstallation of your commercial appliance if it is installed in an inaccessible location or is not installed in accordance with published installation instructions.
 8. Chemical damage is excluded from all warranty coverage.
 9. Changes to the building, room, or location needed in order to make the commercial appliance operate correctly.
 10. Repairs made by a non-Whirlpool authorized service technician.
-

DISCLAIMER OF IMPLIED WARRANTIES; LIMITATIONS OF REMEDIES

CUSTOMER'S SOLE AND EXCLUSIVE REMEDY UNDER THIS LIMITED WARRANTY SHALL BE PRODUCT REPAIR AS PROVIDED HEREIN. IMPLIED WARRANTIES, INCLUDING WARRANTIES OF MERCHANTABILITY OR FITNESS FOR A PARTICULAR PURPOSE, ARE LIMITED TO ONE YEAR OR THE SHORTEST PERIOD ALLOWED BY LAW. WHIRLPOOL SHALL NOT BE LIABLE FOR INCIDENTAL OR CONSEQUENTIAL DAMAGES. SOME STATES AND PROVINCES DO NOT ALLOW THE EXCLUSION OR LIMITATION OF INCIDENTAL OR CONSEQUENTIAL DAMAGES, OR LIMITATIONS ON THE DURATION OF IMPLIED WARRANTIES OF MERCHANTABILITY OR FITNESS, SO THESE EXCLUSIONS OR LIMITATIONS MAY NOT APPLY TO YOU. THIS WARRANTY GIVES YOU SPECIFIC LEGAL RIGHTS AND YOU MAY ALSO HAVE OTHER RIGHTS, WHICH VARY FROM STATE TO STATE OR PROVINCE TO PROVINCE.

If you need service, please contact your authorized Maytag® Commercial Laundry distributor. To locate your authorized Maytag® Commercial Laundry distributor, or for web inquiries, visit www.MaytagCommercialLaundry.com.

3/10

For written correspondence:

Maytag® Commercial Laundry Service Department
2000 M-63 North
Benton Harbor, Michigan 49022 USA

SÉCURITÉ DE LA LAVEUSE/SÉCHEUSE SUPERPOSÉES

Votre sécurité et celle des autres est très importante.

Nous donnons de nombreux messages de sécurité importants dans ce manuel et sur votre appareil ménager. Assurez-vous de toujours lire tous les messages de sécurité et de vous y conformer.



Voici le symbole d'alerte de sécurité.

Ce symbole d'alerte de sécurité vous signale les dangers potentiels de décès et de blessures graves à vous et à d'autres.

Tous les messages de sécurité suivront le symbole d'alerte de sécurité et le mot "DANGER" ou "AVERTISSEMENT". Ces mots signifient :

⚠ DANGER

Risque possible de décès ou de blessure grave si vous ne suivez pas immédiatement les instructions.

⚠ AVERTISSEMENT

Risque possible de décès ou de blessure grave si vous ne suivez pas les instructions.

Tous les messages de sécurité vous diront quel est le danger potentiel et vous disent comment réduire le risque de blessure et ce qui peut se produire en cas de non-respect des instructions.



AVERTISSEMENT - "Risque d'incendie"

- L'installation de la sècheuse à linge doit être effectuée par un installateur qualifié.
- Installer la sècheuse conformément aux instructions du fabricant et aux codes locaux.
- Ne pas installer de sècheuse à linge avec des matériaux d'évacuation en plastique souple ou un conduit métallique souple (de type papier d'aluminium). Si un conduit métallique souple est installé, celui-ci doit être d'un type spécifique identifié par le fabricant de l'appareil et convenir à une utilisation avec les sècheuses à linge. Les matériaux d'évacuation souples sont connus pour s'affaisser, être facilement écrasés et bloquer la charpie. Ces situations obstrueront le débit d'air de la sècheuse à linge et augmenteront le risque d'incendie.
- Pour réduire le risque de blessure grave ou de décès, suivre toutes les instructions d'installation.
- Conserver ces instructions.

■ On recommande que le propriétaire place les instructions à l'usage du client en un lieu bien visible, au cas où le client percevrait une odeur de gaz. Ces renseignements doivent être obtenus auprès de votre fournisseur en gaz.

■ Placer l'avertissement qui suit à un endroit bien visible.

POUR VOTRE SÉCURITÉ

Ne pas remiser ou utiliser de l'essence ou tout autre liquide ou vapeur inflammable à proximité de cet appareil ou de tout autre appareil.

SÉCURITÉ DE LA LAVEUSE/SÉCHEUSE SUPERPOSÉES

AVERTISSEMENT : Pour votre sécurité, les renseignements dans ce manuel doivent être observés pour réduire au minimum les risques d'incendie ou d'explosion ou pour éviter des dommages au produit, des blessures ou un décès.

- Ne pas entreposer ou utiliser de l'essence ou d'autres vapeurs ou liquides inflammables à proximité de cet appareil ou de tout autre appareil électroménager.
- **QUE FAIRE DANS LE CAS D'UNE ODEUR DE GAZ :**
 - Ne pas tenter d'allumer un appareil.
 - Ne pas toucher à un commutateur électrique; ne pas utiliser le téléphone se trouvant sur les lieux.
 - Évacuer tous les gens de la pièce, de l'édifice ou du quartier.
 - Appeler immédiatement le fournisseur de gaz d'un téléphone voisin. Suivre ses instructions.
 - À défaut de joindre votre fournisseur de gaz, appeler les pompiers.
- L'installation et l'entretien doivent être effectués par un installateur qualifié, une agence de service ou le fournisseur de gaz.

AVERTISSEMENT : L'odorat ne permet pas toujours la détection d'une fuite de gaz.

Les distributeurs de gaz recommandent l'emploi d'un détecteur de gaz (homologation UL ou CSA).

Pour d'autre information, contacter le fournisseur de gaz local.

En cas de détection d'une fuite de gaz, exécuter les instructions "Que faire dans le cas d'une odeur de gaz".

Dans l'État du Massachusetts, les instructions d'installation suivantes sont applicables :

- Les travaux d'installation et réparation doivent être exécutés par un plombier ou tuyauteur qualifié ou licencié, ou par le personnel qualifié d'une entreprise licenciée par l'État du Massachusetts.
- Si une vanne à boisseau sphérique est utilisée, elle doit comporter une manette "T".
- Si un conduit de raccordement flexible est utilisé, sa longueur ne doit pas dépasser 3 pi.

IMPORTANT : L'installation du gaz doit se conformer aux codes locaux, ou en l'absence de codes locaux, au code canadien d'installation B149.1 du gaz naturel ou du propane.

La sècheuse doit être électriquement reliée à la terre conformément aux codes locaux, ou en l'absence de codes locaux, au Code canadien de l'électricité, CSA C22.1.

SÉCURITÉ DE LA LAVEUSE/SÉCHEUSE SUPERPOSÉES

IMPORTANTES INSTRUCTIONS DE SÉCURITÉ

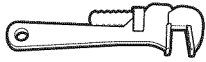
AVERTISSEMENT : Pour réduire les risques d'incendie, de choc électrique ou de blessures lors de l'utilisation de la laveuse/sécheuse, suivre les précautions fondamentales dont les suivantes :

- Lire toutes les instructions avant d'utiliser la laveuse/sécheuse.
- Ne pas placer des articles exposés aux huiles de cuisson dans votre sécheuse. Les articles contaminés par des huiles de cuisson peuvent contribuer à une réaction chimique qui pourrait causer à la charge de s'enflammer.
- Ne pas faire laver ou sécher des articles qui ont été nettoyés ou lavés avec de l'essence ou imbibés d'essence, solvants de nettoyage à sec, ou autres substances inflammables ou explosives; ces substances peuvent émettre des vapeurs susceptibles de s'enflammer ou d'exploser.
- Ne pas ajouter d'essence, solvant de nettoyage à sec ou autre produit inflammable ou explosif dans l'eau de lavage. Ces substances peuvent émettre des vapeurs susceptibles de s'enflammer ou d'exploser.
- Ne pas laisser des enfants jouer sur ou à l'intérieur de la laveuse/sécheuse. Bien surveiller les enfants lorsque la laveuse/sécheuse est utilisée à proximité d'enfants.
- Avant de mettre la laveuse/sécheuse au rebut ou hors de service, enlever la porte ou le couvercle.
- Ne pas tenter d'atteindre un article à l'intérieur de la cuve de la laveuse/sécheuse lorsque le tambour, la cuve ou l'agitateur est en mouvement.
- Ne pas installer ou remiser cette laveuse/sécheuse à un endroit où elle serait exposée aux intempéries.
- Ne pas modifier les organes de commande.
- Nettoyer le filtre à charpie avant et après chaque charge.
- Dans certaines conditions, de l'hydrogène gazeux peut se former dans un circuit d'eau chaude qui n'a pas été utilisé pendant 2 semaines ou plus. **LE GAZ HYDROGÈNE EST EXPLOSIBLE.** Si le circuit d'eau chaude n'a pas été utilisé pendant une telle période, avant d'utiliser la laveuse/sécheuse, ouvrir tous les robinets d'eau chaude et laisser l'eau s'écouler pendant plusieurs minutes par chaque robinet. Ceci permettra l'évacuation de l'hydrogène gazeux accumulé. Comme ce gaz est inflammable, ne pas fumer ou utiliser une flamme nue au cours de cette période.
- Ne pas réparer ou remplacer un composant quelconque de la laveuse/sécheuse, ni entreprendre une opération de service, si ce n'est spécifiquement recommandé dans ce manuel ou dans un manuel d'instructions de réparations destiné à l'utilisateur; il est alors essentiel que la personne concernée comprenne ces instructions et soit compétente pour les exécuter.
- Ne pas utiliser un produit assouplissant de tissu ou des produits pour éliminer la statique à moins qu'ils ne soient recommandés par le fabricant du produit assouplissant de tissu ou du produit.
- Ne pas utiliser la chaleur pour faire sécher des articles fabriqués avec du caoutchouc mousse ou des matériaux semblables.
- Ne pas laisser la charpie, la poussière, ou la saleté s'accumuler autour du système d'évacuation ou autour de l'appareil.
- Un nettoyage périodique de l'intérieur de la sécheuse et du conduit d'évacuation doit être effectué par une personne qualifiée.
- Voir la section "Spécifications électriques" dans les instructions d'installation pour les instructions de mise à la terre.

CONSERVEZ CES INSTRUCTIONS

OUTILS ET PIÈCES

Outillage nécessaire :



clé à tuyau
de 8" (203 mm)
ou 10" (254 mm)



clé à molette de 8" (203 mm)
ou 10" (254 mm) (ouverture
jusqu'à 1" [25 mm])



tournevis à lame plate



tournevis Phillips



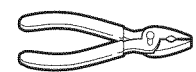
tournevis isolé ou foret
Torx[†] T-20



clé à douille hexagonale
de 1" (25 mm)



clé à douille de 5/16"



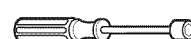
pince
(ouverture jusqu'à 1⁹/₁₆" [39 mm])



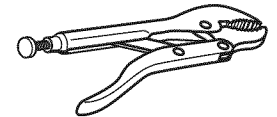
niveau



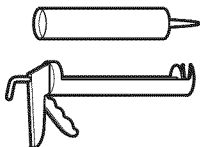
couteau utilitaire



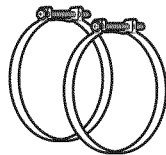
tourne-écrou de 1/4" (6 mm)



pince multiprise



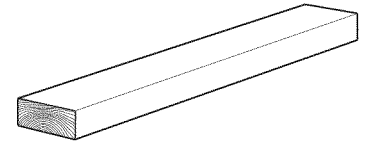
pistolet à calfeutrage et
composé de calfeutrage
(pour l'installation d'un nouveau
conduit d'évacuation)



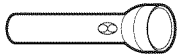
brides de conduit



composé d'étanchéité
des tuyauteries résistant au type
de gaz utilisé



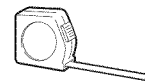
cale de bois de
27" (686 mm)



lampe de poche
(facultative)



clés plates de 1/2" (13 mm)
et 9/16" (14 mm)



règle ou mètre ruban

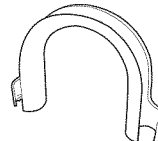
Pièces fournies :



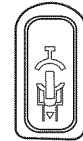
tuyaux d'admission d'eau (2)



rondelle pour tuyau
d'alimentation (4)



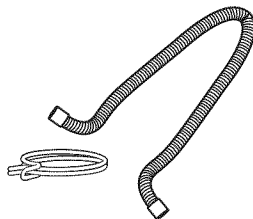
bride de fixation en U
pour tuyau d'évacuation



bouchon pour les trous
des boulons de transport (4)



attache de fixation perlée



tuyau d'évacuation/bride

†® TORX est une marque déposée de Saturn Fasteners, Inc.

PIÈCES SUPPLÉMENTAIRES ET ACCESSOIRES

Pièces supplémentaires

Il se peut que l'installation nécessite des pièces supplémentaires. Pour acheter l'un des articles indiqués ici, composer le numéro sans frais indiqué à la section "Assistance".

Si vous avez	Vous devrez acheter
Égout surélevé	Tuyau de vidange standard de 20 gal. (76 L) de 39" (990 mm) de haut ou évier de décharge, pompe de puisard et connecteurs (disponibles chez les vendeurs de matériel de plomberie locaux)
Tuyau de rejet à l'égout de 1" (25 mm)	Un adaptateur de 2" (51 mm) à 1" (25 mm) de diamètre pour le tuyau rigide de rejet à l'égout, pièce numéro 3363920 Ensemble de raccord, pièce numéro 285835
Tuyau de vidange trop court	Rallonge de tuyau d'évacuation, pièce numéro 285863 Ensemble de raccord, pièce numéro 285835
Le système d'évacuation obstrué par de la charpie	Protecteur de canalisation, pièce numéro 367031 Ensemble de raccord, pièce numéro 285835
Système de vidange au plancher	Brise-siphon, pièce numéro 285834 Ensemble de raccordement (x2), pièce numéro 285835 Rallonge de tuyau d'évacuation, pièce numéro 285863
Robinetts d'eau hors d'atteinte des tuyaux d'admission d'eau	2 tuyaux d'admission d'eau plus longs : Tuyau coudé à 90° de 6 pi (1,8 m), pièce numéro 76314 10 pi (3 m), pièce numéro 350008

Accessoires

Améliorez la fonctionnalité de votre laveuse/sécheuse avec ces accessoires de première qualité.

Pour d'autres articles de qualité ou pour commander, composer le **1-800-901-2042**, ou consulter notre site Web www.maytag.com/accessories.

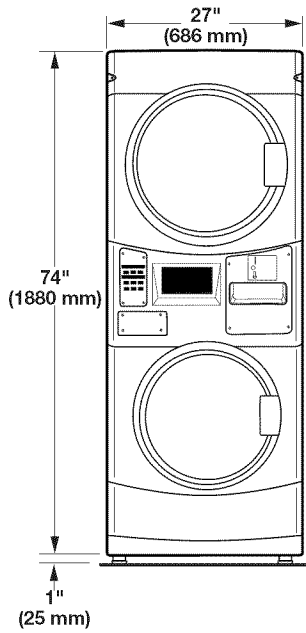
Au Canada, composer le : **1-800-807-6777** ou consulter notre site Web www.whirlpoolparts.ca.

Numéro de pièce	Accessoire
8212526	Plateau d'égouttement de la laveuse, convient à tous les modèles
31682	Nettoyant tout-usage pour appareils ménagers
1903WH	Casier de rangement d'équipement de buanderie
279818	Trousse d'évacuation pour sécheuse à 3 voies
285834	Ensemble de brise-siphon

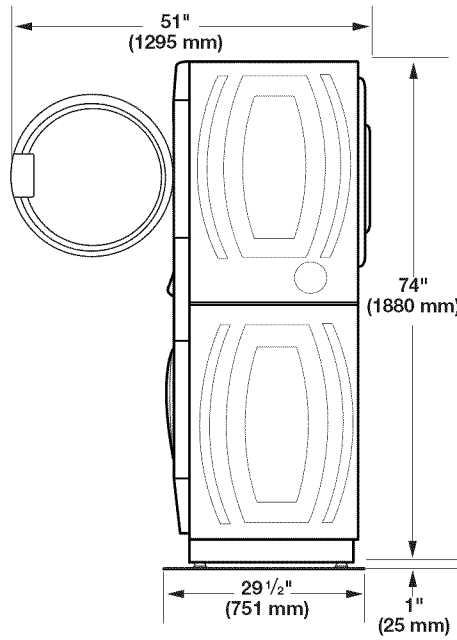
DIMENSIONS/DISTANCES DE DÉGAGEMENT

Dimensions

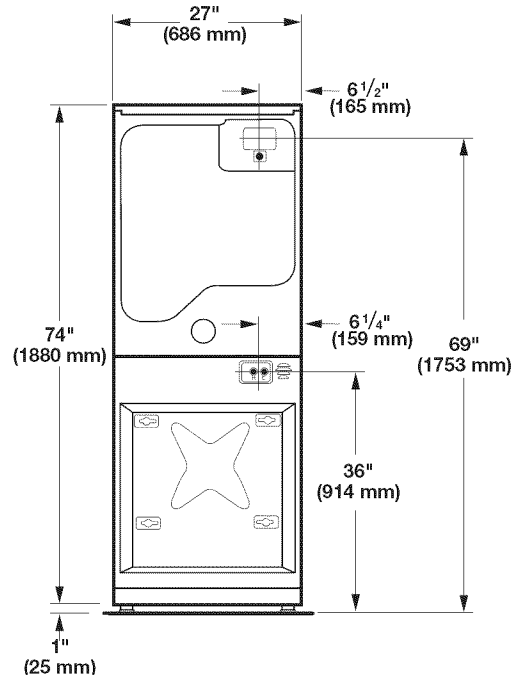
Vue de face



Vue latérale

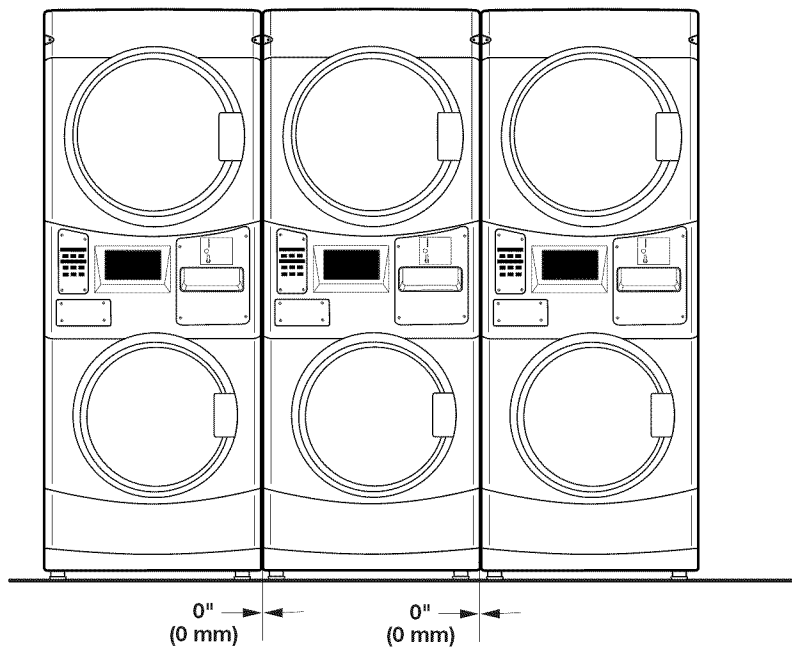


Vue arrière

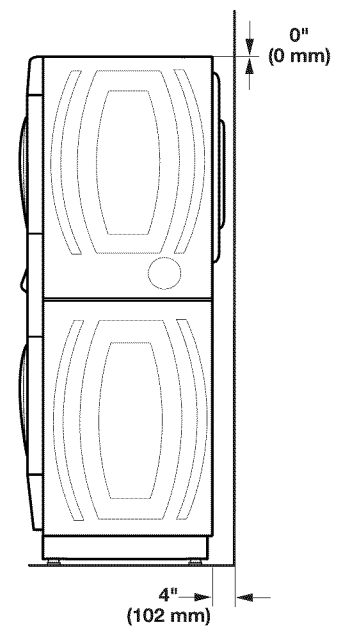


Distances de dégagement

Distances de dégagement latéral



Distances de dégagement arrière/sur le dessus



EXIGENCES D'INSTALLATION POUR LA LAVEUSE/ SÈCHEUSE À GAZ SUPERPOSÉES

Emplacement de la laveuse/sècheuse à gaz superposées

⚠ AVERTISSEMENT



Risque d'explosion

Garder les matières et les vapeurs inflammables, telle que l'essence, loin de la sècheuse.

Ne pas installer dans un garage.

Le non-respect de ces instructions peut causer un décès, une explosion ou un incendie.

Le choix d'un emplacement approprié pour la laveuse/sècheuse en améliore le rendement tout en réduisant le bruit et le "déplacement" de la laveuse.

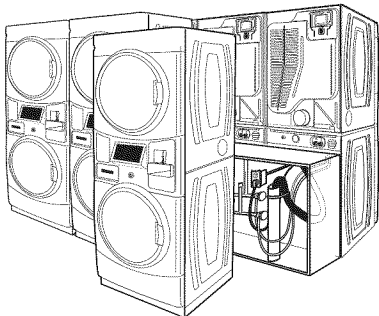
La laveuse/sècheuse peut être installée dans un sous-sol, une salle de buanderie ou un encastrement. Voir "Système de vidange".

Il faut aussi prendre en compte les exigences d'emplacement des appareils voisins.

IMPORTANT : Ne pas installer ou remettre la laveuse/sècheuse dans un endroit où elle sera exposée aux intempéries. Ne pas remettre ou faire fonctionner la laveuse/sècheuse à des températures égales ou inférieures à 32°F (0°C). Une quantité d'eau peut demeurer dans la laveuse et causer des dommages à des températures basses. C'est à l'utilisateur qu'incombe la responsabilité de réaliser une installation correcte.

Il vous faudra :

- Un chauffe-eau pour fournir de l'eau à 120°F (49°C) à la laveuse.
- Une prise électrique reliée à la terre située à moins de 6 pi (1,8 m) de la prise du cordon électrique se trouvant à l'arrière de la laveuse. Voir "Spécifications électriques".
- Des robinets d'eau chaude et d'eau froide situés à 4 pi (1,2 m) des valves de remplissage d'eau chaude et d'eau froide, et une pression d'eau de 20–100 psi (137,9–689,6 kPa).
- Un plancher de niveau ayant une pente maximale de 1" (25 mm) sous l'ensemble de la laveuse/sècheuse. L'installation de la laveuse/sècheuse sur des surfaces de sol molles, telles que tapis ou surfaces avec sous-couche en mousse n'est pas recommandée.
- Un plancher robuste et solide capable de soutenir le poids total de la laveuse/sècheuse (eau et charge) de 450 lb (204 kg).
- Un égout au plancher sous le module de la cloison. Les coffrages préfabriqués équipés de prises électriques, lignes d'arrivée d'eau et conduites d'évacuation doivent être utilisés seulement là où les codes locaux l'autorisent.



Distances de dégagement pour l'installation pour la laveuse/sècheuse à gaz superposées

- L'emplacement doit être assez grand pour permettre d'ouvrir complètement la porte de la laveuse et de la sècheuse.
- Prévoir davantage d'espace pour faciliter l'installation et l'entretien. Les portes s'ouvrent à plus de 180°. La porte de la laveuse est réversible.
- Un espace supplémentaire peut être requis pour les moulures de porte et de plancher et pour les plinthes.
- Un espace supplémentaire de 1" (25 mm) de tous les côtés de la laveuse/sècheuse est recommandé pour réduire le transfert du bruit.
- Il faut aussi prendre en compte l'espace requis entre les appareils voisins.

Lors de l'installation d'une sècheuse à gaz :

IMPORTANT : Observer les dispositions de tous les codes et règlements en vigueur.

- Vérifier les exigences des codes : Certains codes limitent ou n'autorisent pas l'installation d'une sècheuse dans un garage, un placard ou une chambre à coucher. Communiquer avec l'inspecteur en bâtiments local.
- S'assurer que les rebords inférieurs de la caisse ainsi que les côtés arrière et inférieurs de la laveuse, sont bien dégagés pour permettre une évacuation adéquate de l'air de combustion. Voir la section "Instructions d'installation dans un encastrement ou un placard" ci-dessous pour connaître les distances de dégagement minimales.

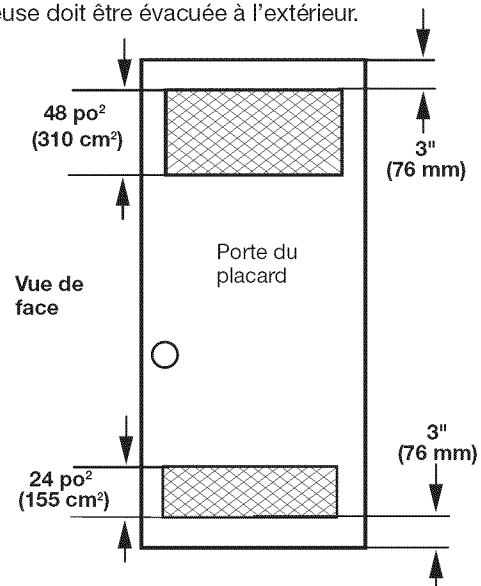
Instructions d'installation dans un encastrement ou un placard

Cette laveuse/sècheuse peut être installée dans un encastrement ou un placard. Pour les installations dans un encastrement ou un placard, les distances de dégagement minimales sont indiquées sur l'étiquette d'avertissement à l'arrière de la sècheuse ou à la section "Dimensions/Distances de dégagement".

Les dimensions d'installation sont en pouces et constituent le minimum applicable. Un espace supplémentaire peut être nécessaire pour faciliter l'installation, l'entretien et pour observer les codes et règlements locaux.

Si une porte de placard est installée, une ouverture d'évacuation de l'air minimale est nécessaire dans les parties supérieure et inférieure. Les portes à claire-voie offrant des ouvertures équivalentes sont acceptables.

La sècheuse doit être évacuée à l'extérieur.



EXIGENCES D'INSTALLATION POUR LA LAVEUSE/ SÈCHEUSE À GAZ SUPERPOSÉES

Spécifications électriques pour la laveuse/sécheuse à gaz superposées

⚠ AVERTISSEMENT



Risque de choc électrique

Brancher sur une prise à 3 alvéoles reliée à la terre.

Ne pas enlever la broche de liaison à la terre.

Ne pas utiliser un adaptateur.

Ne pas utiliser un câble de rallonge.

Le non-respect de ces instructions peut causer un décès, un incendie ou un choc électrique.

IMPORTANT : La laveuse/sécheuse doit être reliée à la terre conformément aux codes et règlements locaux en vigueur, ou en l'absence de tels codes, avec la dernière édition du National Electrical Code, ANSI/NFPA 70, ou du Canadian Electrical Code, CSA C22.1. Si les codes le permettent et si on utilise un conducteur distinct de liaison à la terre, il est recommandé qu'un électricien qualifié vérifie la qualité de la liaison à la terre. Pour obtenir un exemplaire des normes des codes ci-dessus, contacter :

National Fire Protection Association
One Batterymarch Park, Quincy, MA 02269
CSA International
8501 East Pleasant Valley Road
Cleveland, Ohio 44131-5575

- Ne pas utiliser une tuyauterie de gaz pour le raccordement à la terre.
- Ne pas installer un fusible dans le conducteur neutre ou le circuit de liaison à la terre.
- Une alimentation de 120 volts, 60 Hz, CA seulement, de 15 ou 20 ampères, protégée par un fusible est requise. On recommande également d'utiliser un fusible ou un disjoncteur temporisé. Il est recommandé de raccorder la laveuse/sécheuse sur un circuit distinct exclusif à cet appareil.
- Cette laveuse/sécheuse comporte un cordon d'alimentation électrique à trois broches pour liaison à la terre.
- Pour minimiser le risque de choc électrique, on doit brancher le cordon sur une prise de courant de configuration correspondante, à 3 alvéoles, reliée à la terre et installée conformément aux codes et règlements locaux. Si une prise de courant de configuration correspondante n'est pas disponible, le client a la responsabilité et l'obligation de faire installer par un électricien qualifié une prise de courant correctement reliée à la terre.
- Si les codes le permettent et si l'on utilise un conducteur distinct de liaison à la terre, il est recommandé qu'un électricien qualifié vérifie la qualité de la liaison à la terre.
- En cas de doute quant à la qualité de la liaison à la terre de la laveuse/sécheuse, consulter un électricien qualifié.

Mise à la terre de la laveuse/sécheuse à gaz superposées

INSTRUCTIONS DE LIAISON À LA TERRE

Pour une laveuse reliée à la terre et connectée par un cordon :

Cette laveuse doit être reliée à la terre. En cas d'anomalie de fonctionnement ou de panne, la liaison à la terre réduira le risque de choc électrique en offrant au courant électrique un itinéraire d'évacuation de moindre résistance. Cette laveuse est alimentée par un cordon électrique comportant un conducteur relié à la terre et une fiche de branchement munie d'une broche de liaison à la terre. La fiche doit être branchée sur une prise de courant appropriée qui est bien installée et reliée à la terre conformément à tous les codes et règlements locaux.

AVERTISSEMENT : Le raccordement incorrect de cet appareil au conducteur de liaison à la terre peut susciter un risque de choc électrique. En cas de doute quant à la qualité de la liaison à la terre de l'appareil, consulter un électricien ou technicien d'entretien qualifié.

Ne pas modifier la fiche de branchement fournie avec l'appareil – si la fiche ne correspond pas à la configuration de la prise de courant, demander à un électricien qualifié d'installer une prise de courant convenable.

Pour une laveuse raccordée en permanence :

Cette laveuse doit être raccordée à un système de câblage permanent en métal relié à la terre ou un conducteur relié à la terre doit être en fonction avec les conducteurs de circuit et raccordés à la borne de liaison à la terre ou la borne sur l'appareil ménager.

EXIGENCES D'INSTALLATION POUR LA LAVEUSE/ SÈCHEUSE À GAZ SUPERPOSÉES

Spécifications électriques pour la laveuse/sécheuse à gaz superposées (suite)

Mise à la terre de la laveuse/sécheuse à gaz superposées (suite)

INSTRUCTIONS DE LIAISON À LA TERRE

- Pour une sécheuse reliée à la terre et connectée par un cordon :
Cette sécheuse doit être reliée à la terre. En cas de mauvais fonctionnement ou de panne, la liaison à la terre réduira le risque de choc électrique en offrant au courant électrique un acheminement d'évacuation de moindre résistance. Cette sécheuse est alimentée par un cordon électrique comportant un conducteur relié à la terre et une fiche de branchement munie d'une broche de liaison à la terre. La fiche doit être branchée sur une prise appropriée qui est bien installée et reliée à la terre conformément à tous les codes et règlements locaux.
- Pour une sécheuse raccordée en permanence :
Cette sécheuse doit être raccordée à un système de câblage permanent en métal relié à la terre ou un conducteur relié à la terre doit être en fonction avec les conducteurs de circuit et raccordé à la borne de liaison à la terre ou la borne sur la sécheuse.

AVERTISSEMENT : Le raccordement incorrect de cet appareil au conducteur de liaison à la terre peut susciter un risque de choc électrique. En cas de doute quant à la qualité de liaison à la terre de la sécheuse, consulter un électricien ou un technicien ou un personnel qualifié. Ne pas modifier la fiche de branchement fournie avec la sécheuse; si la fiche ne correspond pas à la configuration de la prise de courant, demander à un électricien qualifié d'installer une prise de courant appropriée.

CONSERVEZ CES INSTRUCTIONS

Alimentation en gaz de la laveuse/sécheuse à gaz superposées

⚠ AVERTISSEMENT



Risque d'explosion

**Utiliser une canalisation neuve d'arrivée de gaz
approuvée par CSA International.**

Installer un robinet d'arrêt.

**Bien serrer chaque organe de connexion de la
canalisation de gaz.**

**En cas de connexion au gaz propane, demander à une
personne qualifiée de s'assurer que la pression de gaz
ne dépasse pas 330 mm (13 po) de la colonne d'eau.**

Par personne qualifiée, on comprend :

**le personnel autorisé de chauffage,
le personnel autorisé d'une compagnie de gaz, et
le personnel d'entretien autorisé.**

**Le non-respect de ces instructions peut causer
un décès, un explosion ou un incendie.**

IMPORTANT : Observer les dispositions de tous les codes
et règlements en vigueur.

L'installation doit satisfaire aux critères de tous les codes et
règlements locaux. En l'absence de code local, l'installation
doit satisfaire aux prescriptions de la norme American National
Standard, National Fuel Gas Code ANSI Z223.1/NFPA 54 ou
CAN/CSA B149.

Pour obtenir un exemplaire des normes des codes ci-dessus,
contacter :

National Fire Protection Association
One Batterymarch Park, Quincy, MA 02269
CSA International
8501 East Pleasant Valley Road
Cleveland, Ohio 44131-5575

La conception de cette laveuse/sécheuse a été homologuée
par CSA International pour une utilisation jusqu'à une altitude
de 10 000 pieds (3 048 m) au-dessus du niveau de la mer
pour le débit thermique indiqué sur la plaque signalétique.
Aucun réglage du brûleur n'est nécessaire lorsque la laveuse/
sécheuse est utilisée à une altitude inférieure ou égale à cette
valeur maximale.

Lorsque l'appareil est installé à une altitude supérieure à 10 000
pieds (3 048 m), on doit réduire de 4 % le débit thermique du
brûleur indiqué sur la plaque signalétique pour chaque tranche
de 1 000 pieds (305 m) d'augmentation de l'altitude. Pour
obtenir de l'aide lors de la conversion à d'autres types de gaz
et/ou l'installation de l'appareil à une altitude supérieure à 10
000 pieds (3048 m), contacter la société de dépannage la plus
proche.

EXIGENCES D'INSTALLATION POUR LA LAVEUSE/ SÈCHEUSE ÉLECTRIQUES SUPERPOSÉES

Emplacement de la laveuse/sècheuse électriques superposées

⚠ AVERTISSEMENT



Risque d'explosion

Garder les matières et les vapeurs inflammables, telle que l'essence, loin de la sècheuse.

Ne pas installer dans un garage.

Le non-respect de ces instructions peut causer un décès, une explosion ou un incendie.

Le choix d'un emplacement approprié pour la laveuse/sècheuse en améliore le rendement tout en réduisant le bruit et le "déplacement" de la laveuse.

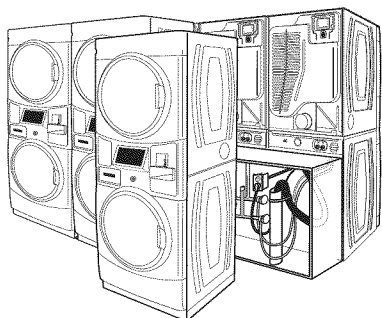
La laveuse/sècheuse peut être installée dans un sous-sol, une salle de buanderie ou un encastrement. Voir "Système de vidange".

Il faut aussi prendre en compte les exigences d'emplacement des appareils voisins.

IMPORTANT : Ne pas installer ou remettre la laveuse/sècheuse dans un endroit où elle sera exposée aux intempéries. Ne pas remettre ou faire fonctionner la laveuse/sècheuse à des températures égales ou inférieures à 32°F (0°C). Une quantité d'eau peut demeurer dans la laveuse et causer des dommages à des températures basses. C'est à l'utilisateur qu'incombe la responsabilité de réaliser une installation correcte.

Il vous faudra :

- Un chauffe-eau pour fournir de l'eau à 120°F (49°C) à la laveuse.
- Une prise électrique reliée à la terre située à moins de 6 pi (1,8 m) de la prise du cordon électrique se trouvant à l'arrière de la laveuse. Voir "Spécifications électriques".
- Des robinets d'eau chaude et d'eau froide situés à 4 pi (1,2 m) des valves de remplissage d'eau chaude et d'eau froide, et une pression d'eau de 20–100 psi (137,9–689,6 kPa).
- Un plancher de niveau ayant une pente maximale de 1" (25 mm) sous l'ensemble de la laveuse/sècheuse. L'installation de la laveuse/sècheuse sur des surfaces de sol molles, telles que tapis ou surfaces avec sous-couche en mousse n'est pas recommandée.
- Un plancher robuste et solide capable de soutenir le poids total de la laveuse/sècheuse (eau et charge) de 450 lb (204 kg).
- Un égout au plancher sous le module de la cloison. Les coffrages préfabriqués équipés de prises électriques, lignes d'arrivée d'eau et conduites d'évacuation doivent être utilisés seulement là où les codes locaux l'autorisent.



Distances de dégagement pour l'installation pour la laveuse/sècheuse électriques superposées

- L'emplacement doit être assez grand pour permettre d'ouvrir complètement la porte de la laveuse et de la sècheuse.
- Prévoir davantage d'espace pour faciliter l'installation et l'entretien. Les portes s'ouvrent à plus de 180°. La porte de la laveuse est réversible.
- Un espace supplémentaire peut être requis pour les moulures de porte et de plancher et pour les plinthes.
- Un espace supplémentaire de 1" (25 mm) de tous les côtés de la laveuse/sècheuse est recommandé pour réduire le transfert du bruit.
- Il faut aussi prendre en compte l'espace requis entre les appareils voisins.

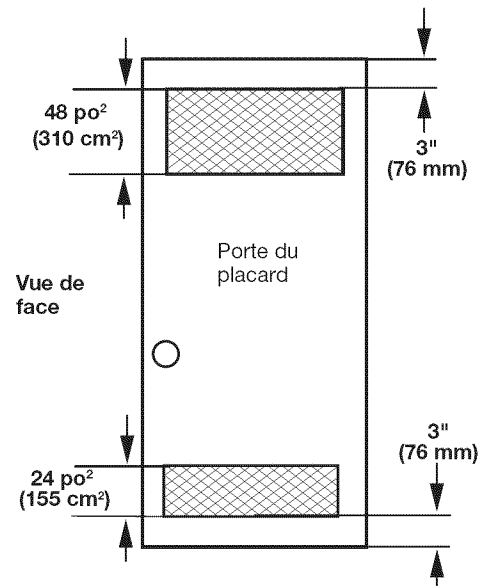
Instructions d'installation dans un encastrement ou un placard

Cette laveuse/sècheuse peut être installée dans un encastrement ou un placard. Pour les installations dans un encastrement ou un placard, les dimensions minimales de dégagement sont indiquées sur l'étiquette d'avertissement, à l'arrière de la sècheuse.

Les dimensions d'installation sont en pouces et constituent le minimum applicable. Un espace supplémentaire peut être nécessaire pour faciliter l'installation, l'entretien et pour observer les codes et règlements locaux.

Si une porte de placard est installée, une ouverture d'évacuation de l'air minimale est nécessaire dans les parties supérieure et inférieure. Les portes à claire-voie offrant des ouvertures équivalentes sont acceptables.

La sècheuse doit être évacuée à l'extérieur.




EXIGENCES D'INSTALLATION POUR LA LAVEUSE/ SÈCHEUSE ÉLECTRIQUES SUPERPOSÉES

Spécifications électriques de la laveuse/ sècheuse électriques superposées

Spécifications électriques de la laveuse

⚠ AVERTISSEMENT



Risque de choc électrique

Brancher sur une prise à 3 alvéoles reliée à la terre.

Ne pas enlever la broche de liaison à la terre.

Ne pas utiliser un adaptateur.

Ne pas utiliser un câble de rallonge.

Le non-respect de ces instructions peut causer un décès, un incendie ou un choc électrique.

- Ne pas installer un fusible dans le conducteur neutre ou le circuit de liaison à la terre.
- Cette laveuse/sècheuse comporte un cordon d'alimentation électrique à trois broches pour liaison à la terre.
- Pour minimiser le risque de choc électrique, on doit brancher le cordon sur une prise de courant de configuration correspondante, à 3 alvéoles, reliée à la terre et installée conformément aux codes et règlements locaux. Si une prise de courant de configuration correspondante n'est pas disponible, le client a la responsabilité et l'obligation de faire installer par un électricien qualifié une prise de courant correctement reliée à la terre.
- Si les codes le permettent et si l'on utilise un conducteur distinct de liaison à la terre, il est recommandé qu'un électricien qualifié vérifie la qualité de la liaison à la terre.
- En cas de doute quant à la qualité de la liaison à la terre de la laveuse, consulter un électricien qualifié.

Mise à la terre de la laveuse/sècheuse électriques superposées

INSTRUCTIONS DE LIAISON À LA TERRE

Pour une laveuse reliée à la terre et connectée par un cordon :

Cette laveuse doit être reliée à la terre. En cas d'anomalie de fonctionnement ou de panne, la liaison à la terre réduira le risque de choc électrique en offrant au courant électrique un itinéraire d'évacuation de moindre résistance. Cette laveuse est alimentée par un cordon électrique comportant un conducteur relié à la terre et une fiche de branchement munie d'une broche de liaison à la terre. La fiche doit être branchée sur une prise de courant appropriée qui est bien installée et reliée à la terre conformément à tous les codes et règlements locaux.

AVERTISSEMENT : Le raccordement incorrect de cet appareil au conducteur de liaison à la terre peut susciter un risque de choc électrique. En cas de doute quant à la qualité de la liaison à la terre de l'appareil, consulter un électricien ou technicien d'entretien qualifié.

Ne pas modifier la fiche de branchement fournie avec l'appareil – si la fiche ne correspond pas à la configuration de la prise de courant, demander à un électricien qualifié d'installer une prise de courant convenable.

Pour une laveuse raccordée en permanence :

Cette laveuse doit être raccordée à un système de câblage permanent en métal relié à la terre ou un conducteur relié à la terre doit être en fonction avec les conducteurs de circuit et raccordés à la borne de liaison à la terre ou la borne sur l'appareil ménager.

EXIGENCES D'INSTALLATION POUR LA LAVEUSE/ SÈCHEUSE ÉLECTRIQUES SUPERPOSÉES

Spécifications électriques de la laveuse/ sècheuse électriques superposées (suite)

Mise à la terre de la laveuse/sècheuse électriques superposées (suite)

INSTRUCTIONS DE LIAISON À LA TERRE

- Pour une sècheuse reliée à la terre et connectée par un cordon :

Cette sècheuse doit être reliée à la terre. En cas de mauvais fonctionnement ou de panne, la liaison à la terre réduira le risque de choc électrique en offrant au courant électrique un acheminement d'évacuation de moindre résistance. Cette sècheuse est alimentée par un cordon électrique comportant un conducteur relié à la terre et une fiche de branchement munie d'une broche de liaison à la terre. La fiche doit être branchée sur une prise appropriée qui est bien installée et reliée à la terre conformément à tous les codes et règlements locaux.

- Pour une sècheuse raccordée en permanence :

Cette sècheuse doit être raccordée à un système de câblage permanent en métal relié à la terre ou un conducteur relié à la terre doit être en fonction avec les conducteurs de circuit et raccordé à la borne de liaison à la terre ou la borne sur la sècheuse.

AVERTISSEMENT : Le raccordement incorrect de cet appareil au conducteur de liaison à la terre peut susciter un risque de choc électrique. En cas de doute quant à la qualité de liaison à la terre de la sècheuse, consulter un électricien ou un technicien ou un personnel qualifié. Ne pas modifier la fiche de branchement fournie avec la sècheuse; si la fiche ne correspond pas à la configuration de la prise de courant, demander à un électricien qualifié d'installer une prise de courant appropriée.

CONSERVEZ CES INSTRUCTIONS

EXIGENCES D'INSTALLATION POUR LA LAVEUSE/ SÉCHEUSE ÉLECTRIQUES SUPERPOSÉES

Spécifications électriques de la sècheuse

C'est à l'utilisateur qu'incombe la responsabilité de :

- Contacter un électricien qualifié.
- S'assurer que le raccordement électrique est adéquat et conforme au code national de l'électricité, ANSI/NFPA 70 – dernière édition, et à tous les codes et règlements locaux en vigueur.

Le National Electrical Code impose un raccordement à 4 fils de l'alimentation électrique pour les maisons construites après 1996, les circuits de sècheuses modifiés après 1996 et toutes les installations en maisons mobiles.

Pour obtenir un exemplaire des normes des codes ci-dessus, contacter : National Fire Protection Association, One Batterymarch Park, Quincy, MA 02269.

- L'appareil doit être alimenté uniquement par un circuit monophasé à 3 ou 4 fils de 240 V CA, 60 Hz (ou 3 ou 4 fils, 120/208 volts, si précisé sur la plaque signalétique) sur un circuit séparé à 30 ampères, avec fusible aux deux extrémités de la ligne. On recommande d'utiliser un fusible ou un disjoncteur temporisé. On recommande également que cet appareil soit alimenté par un circuit indépendant. Ne pas avoir de fusible dans le circuit neutre ou de liaison à la terre.
- Ne pas utiliser de câble de rallonge.
- Si les codes le permettent et si l'on utilise un conducteur distinct de liaison à la terre, il est recommandé qu'un électricien qualifié vérifie la qualité de la liaison à la terre.

Raccordement électrique

Pour installer la sècheuse de façon appropriée, il faut établir le type de raccords électriques que l'on utilisera et suivre les instructions aux présentes.

- Cette sècheuse est prête à l'installation avec un raccordement à l'alimentation électrique à 3 fils. Le fil de terre neutre est définitivement raccordé au conducteur neutre (fil blanc) à l'intérieur de la sècheuse. Si la sècheuse est installée avec un raccordement à 4 fils à l'alimentation électrique, le fil de terre neutre doit être retiré de la vis du connecteur de terre externe (vis verte) et fixé sous la borne du neutre (fil du centre ou blanc) du bornier. Lorsque le fil de terre neutre est fixé sous la borne du neutre (fil du centre ou blanc) du bornier, la caisse de la sècheuse est isolée du conducteur neutre.
- Si les codes locaux n'autorisent pas le raccordement d'un conducteur de liaison à la terre au fil neutre, voir "Raccordement optionnel à 3 fils".
- Un raccordement à 4 fils de l'alimentation électrique doit être utilisé lorsque l'appareil est installé dans un lieu où la mise à la terre par le conducteur neutre est interdite. Il est interdit de relier l'appareil à la terre par l'intermédiaire du conducteur neutre dans les cas suivants : (1) nouvelle installation de circuit secondaire, (2) résidence mobile, (3) véhicule de loisirs, et (4) juridictions dans lesquelles le code local interdit la liaison à la terre par l'intermédiaire du conducteur neutre.

Cordon d'alimentation de la sècheuse électrique

⚠ AVERTISSEMENT



Risque d'incendie

Utiliser un cordon d'alimentation électrique neuf homologué UL de 30 ampères.

Utiliser un réducteur de tension homologué UL.

Déconnecter la source de courant électrique avant de réaliser les connexions électriques.

Connecter le conducteur neutre (blanc ou conducteur central) à la borne centrale.

Le conducteur de liaison à la terre (vert ou nu) doit être relié au connecteur vert de liaison à la terre.

Connecter les 2 conducteurs d'alimentation restants aux 2 bornes (or) restantes.

Bien serrer chaque organe de connexion du branchement électrique.

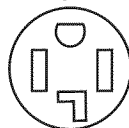
Le non-respect de cette instruction peut causer un décès, un incendie ou un choc électrique.

En cas d'utilisation d'un câble d'alimentation électrique :

Utiliser un ensemble de câble d'alimentation électrique homologué UL marqué pour utilisation avec les sècheuses à vêtements. L'ensemble doit contenir :

- Un câble d'alimentation électrique homologué UL de 30 ampères, 240 volts minimum. Le cordon doit être de type SRD ou SRDT et mesurer au moins 4 pi (1,22 m) de long. Les fils raccordés à la sècheuse doivent se terminer par des cosses rondes ou des cosses en "U" à fourche, à pointes relevées.
- Un serre-câble (homologation UL).

Si la prise murale ressemble à cela :



Prise murale à 4 fils (14-30R)

Choisir un câble d'alimentation à 4 fils avec cosses rondes ou à fourche et un serre-câble homologué UL. Le cordon d'alimentation électrique à 4 fils, d'au moins 4 pi (1,22 m) de long, doit avoir 4 fils en cuivre torsadés de calibre n° 10 et une fiche à 4 fils correspondante de type NEMA 14-30R. Le fil de liaison à la terre (le conducteur de liaison à la terre) peut être vert ou nu. Le conducteur neutre doit être identifié par une gaine blanche.

Si la prise murale ressemble à cela :



Prise murale à 3 fils (10-30R)

Choisir un câble d'alimentation à 3 fils avec cosses rondes ou à fourche et un serre-câble homologué UL. Le cordon d'alimentation électrique à 3 fils, d'au moins 4 pi (1,22 m) de long, doit comporter trois fils en cuivre torsadés de calibre 10 et une fiche à 3 fils correspondante de type NEMA 10-30R.

EXIGENCES D'INSTALLATION POUR LA LAVEUSE/ SÈCHEUSE ÉLECTRIQUES SUPERPOSÉES

Raccordement par câblage direct de la sècheuse

AVERTISSEMENT



Risque d'incendie

Utiliser du fil en cuivre solide de calibre 10.

Utiliser un réducteur de tension homologué UL.

Déconnecter la source de courant électrique avant de réaliser les connexions électriques.

Connecter le conducteur neutre (blanc ou conducteur central) à la borne centrale.

Le conducteur de liaison à la terre (vert ou nu) doit être relié au connecteur vert de liaison à la terre.

Connecter les 2 conducteurs d'alimentation restants aux 2 bornes (or) restantes.

Bien serrer chaque organe de connexion du branchement électrique.

Le non-respect de cette instruction peut causer un décès, un incendie ou un choc électrique.

Pour le raccordement direct :

Le câble d'alimentation doit correspondre à l'alimentation électrique (4 fils ou 3 fils) et être :

- Un câble en cuivre à gaine non métallique ou blindé souple (avec fil de liaison à la terre), avec conduit métallique souple. Tous les fils sous tension doivent être isolés.
- Fil en cuivre plein de calibre 10 (ne pas utiliser d'aluminium).
- D'au moins 5 pi (1,52 m) de long.

EXIGENCES CONCERNANT L'ÉVACUATION DE LA SÈCHEUSE

⚠ AVERTISSEMENT



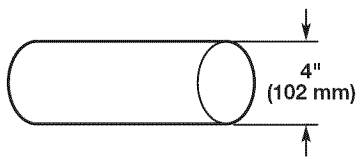
Risque d'incendie

- Utiliser un conduit d'évacuation en métal lourd.
- Ne pas utiliser un conduit d'évacuation en plastique.
- Ne pas utiliser un conduit d'évacuation en feuille de métal.
- Le non-respect de ces instructions peut causer un décès ou un incendie.

AVERTISSEMENT : Pour réduire le risque d'incendie, cette sècheuse doit ÉVACUER L'AIR À L'EXTÉRIEUR.

IMPORTANT : Observer les dispositions de tous les codes et règlements en vigueur.

Le conduit d'évacuation de la sècheuse ne doit pas être raccordé à une évacuation de gaz, une cheminée, un mur, un plafond, un grenier, un vide sanitaire ou un vide de construction. Seul un conduit d'évacuation métallique rigide ou souple doit être utilisé pour le système d'évacuation.



Conduit d'évacuation en métal lourd de 4" (102 mm)

- Utiliser uniquement un conduit d'évacuation en métal lourd de 4" (102 mm) et des brides de serrage.
- Ne pas utiliser de conduit de plastique ou de métal très mince.

Conduit métallique rigide :

- Recommandé pour une performance de séchage idéale afin d'éviter tout écrasement ou déformation.

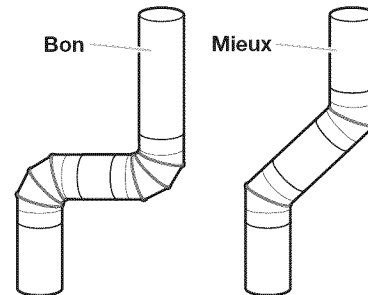
Conduit métallique flexible : (Acceptable uniquement si son accès reste facile pour le nettoyage)

- Doit être entièrement déployé et soutenu à l'emplacement d'installation final de la sècheuse.
- Enlever tout excès de conduit flexible pour éviter tout affaissement et déformation susceptible de réduire la capacité d'évacuation et le rendement.
- Ne pas installer le conduit métallique flexible dans des cavités fermées de mur, plafonds ou planchers.
- La longueur totale ne doit pas dépasser 7³/₄ pi (2,4 m).

REMARQUE : Lors de l'utilisation d'un système d'évacuation existant, nettoyer et éliminer la charpie sur toute la longueur du système, et veiller à ce que le clapet d'évacuation ne soit pas obstrué par de la charpie. Remplacer tout conduit de plastique ou en aluminium par un conduit métallique rigide ou souple. Consulter à nouveau le tableau des systèmes d'évacuations et modifier le système d'évacuation existant au besoin pour obtenir un meilleur séchage.

Coudes :

- Les coudes à 45° permettent une meilleure circulation de l'air que les coudes à 90°.



Brides de serrage :

- Utiliser des brides pour sceller tous les joints.
- Le conduit d'évacuation ne doit pas être raccordé ou fixé avec des vis ou tout autre dispositif de serrage qui se prolongerait à l'intérieur du conduit et retiendrait la charpie. Ne pas utiliser de ruban adhésif pour conduit.



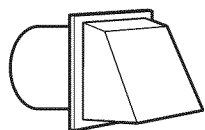
Une mauvaise évacuation de l'air peut causer de l'humidité et une accumulation de charpie à l'intérieur de la maison, ce qui peut provoquer :

- Dommages par l'humidité aux boiseries, meubles, peinture, papier-peint, tapis, etc.
- Problèmes de nettoyage dans la maison et problèmes de santé.

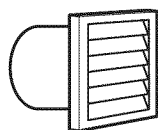
EXIGENCES CONCERNANT L'ÉVACUATION DE LA SÈCHEUSE

Hottes d'extraction

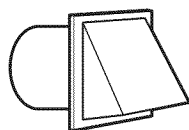
Clapets d'évacuation – Diamètre de 4" (102 mm)



Clapet de type boîte

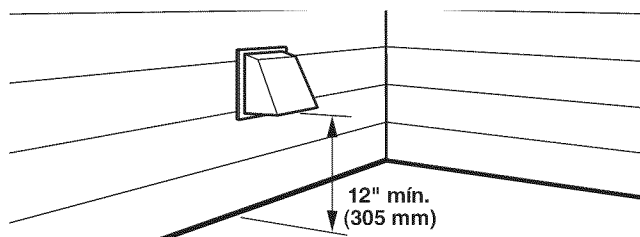


Clapet à persiennes



Clapet incliné

Le clapet de décharge doit se trouver à au moins 12" (305 mm) au-dessus du sol ou de tout autre objet susceptible de se trouver sur le trajet de l'air humide rejeté (par exemple, fleurs, roches, buissons ou neige).



Longueur du système d'évacuation

Longueur maximale du conduit/raccord

La longueur maximale du système d'évacuation dépend du type de conduit utilisé, du nombre de coudes et du type de clapet d'évacuation.

Tableau des systèmes d'évacuation (conduit en métal rigide)

Nbre de changements de direction à 90°	Clapet de type	
	boîte ou à persiennes	Clapet incliné
0	135 pi (41,2 m)	129 pi (39,3 m)
1	125 pi (38,1 m)	119 pi (36,3 m)
2	115 pi (35,1 m)	109 pi (33,2 m)
3	106 pi (32,3 m)	100 pi (30,5 m)
4	98 pi (29,9 m)	92 pi (28,0 m)

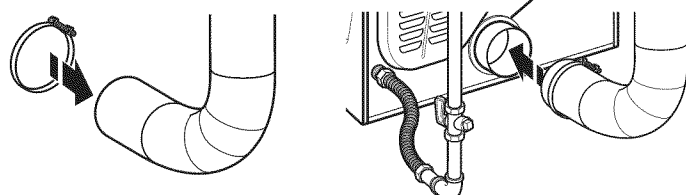
Pour les systèmes d'évacuation autres que ceux indiqués dans le tableau des systèmes d'évacuation, consulter le revendeur de pièces.

Prévoir un espace suffisant pour la combustion et la ventilation de l'air. (Vérifier les dispositions des codes et règlements en vigueur). Voir "Instructions d'installation dans un encastrement ou un placard" dans les sections "Emplacement de la laveuse/sècheuse à gaz superposées" et "Emplacement de la laveuse/sècheuse électriques superposées".

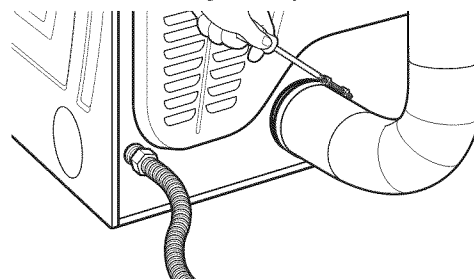
Il est préférable d'utiliser une sortie de hotte de 4" (102 mm). Cependant, on peut utiliser un clapet d'évacuation de 2½" (64 mm). Une sortie de 2½" (64 mm) cause davantage de contre-pression que les autres types d'installation. Pour une installation permanente, un système d'évacuation fixe est requis.

Raccordement du conduit d'évacuation

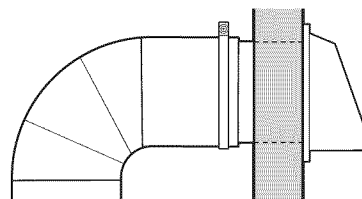
1. Si on utilise le conduit d'évacuation existant, s'assurer qu'il est propre.
2. À l'aide d'une bride de fixation de 4" (102 mm), relier le conduit d'évacuation à la bouche d'évacuation de la sècheuse.



3. Serrer la bride de serrage de tuyau avec un tournevis Phillips.



4. S'assurer que le conduit d'évacuation est fixé au clapet d'évacuation à l'aide d'une bride de fixation de 4" (102 mm).



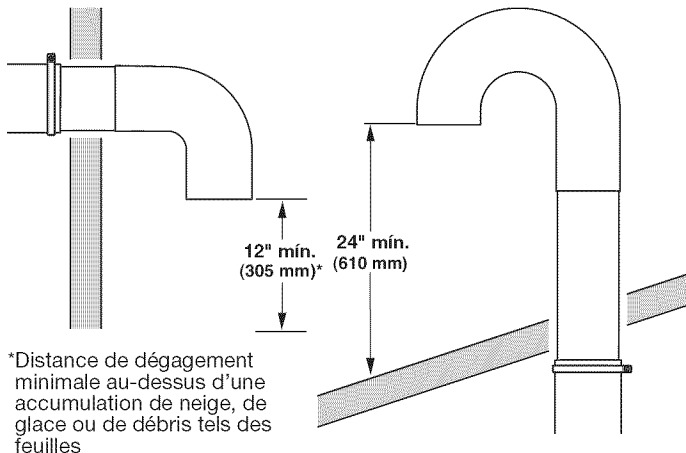
5. Placer la sècheuse à son emplacement final. Ne pas écraser ni pincer le conduit d'évacuation. Vérifier que la sècheuse est d'aplomb.

REMARQUE : Ne pas enlever le raccord de sortie.

EXIGENCES CONCERNANT L'ÉVACUATION DE LA SÈCHEUSE

Si on ne peut pas utiliser de clapet d'évacuation

L'extérieur du conduit d'évacuation principal doit comporter un conduit de déviation orienté vers le bas.



Si le conduit principal monte verticalement à travers le toit et non à travers le mur, installer un coude de déviation à 180° à l'extrémité du conduit d'au moins 2 pi (610 mm) au-dessus de la surface ou du toit.

Le diamètre de l'ouverture dans le toit ou le mur doit être supérieur de 1/2" (13 mm) à celui du conduit. Le conduit doit être centré dans l'ouverture.

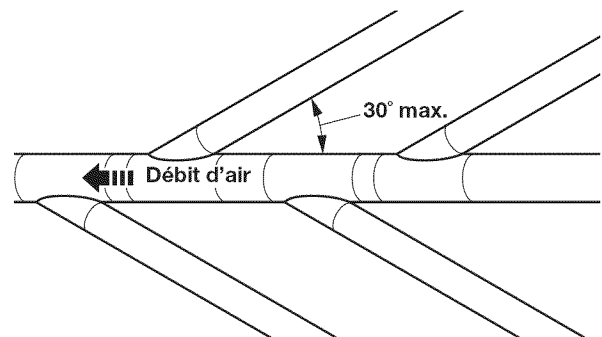
Pour de meilleures performances, ne pas installer de grillage à l'extrémité de l'évacuation.

Évacuation pour plusieurs sècheuses

On peut utiliser un conduit principal pour assurer l'évacuation d'un ensemble de sècheuses. La taille du conduit principal doit permettre une évacuation de 200 CFM d'air pour chaque sècheuse. On peut utiliser des filtres à charpie haute capacité correctement conçus dans le conduit principal s'ils sont inspectés et nettoyés régulièrement. La pièce dans laquelle se trouvent les sècheuses doit comporter un système d'air d'appoint au moins égal au CFM de toutes les sècheuses qui se trouvent dans la pièce.

Un ensemble clapet anti-retour, référence n°3391910, est disponible auprès de votre distributeur et doit être installé sur la ligne d'évacuation de chaque sècheuse pour éviter que l'air évacué revienne dans les sècheuses et pour maintenir l'évacuation en équilibre avec le conduit de sortie principal. Des ouvertures dégagées pour le retour d'air sont nécessaires.

Chaque conduit doit pénétrer dans le conduit principal en direction du mouvement de circulation de l'air. Les évacuations par l'autre côté doivent être placées en quinconce (décalées) pour réduire les interférences avec l'air sortant des autres évacuations en face.



L'inclinaison maximale de chaque conduit qui pénètre dans le conduit principal ne doit pas dépasser 30°.

SPÉCIFICATIONS DE L'ALIMENTATION EN GAZ DE LA SÈCHEUSE

Type de gaz

Cette sècheuse est équipée pour une alimentation au gaz naturel. Sa conception est homologuée par CSA International pour l'alimentation au gaz de pétrole liquéfié (propane ou butane), avec conversion appropriée. Ne pas entreprendre de convertir la sècheuse pour une utilisation avec un gaz différent

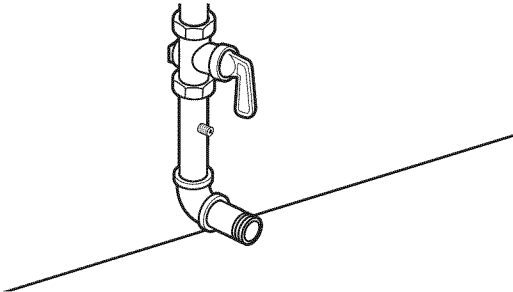
de celui indiqué sur la plaque signalétique sans consulter le fournisseur de gaz au préalable. L'opération de conversion doit être exécutée par un technicien de réparation qualifié.

Les numéros de pièce de l'ensemble de conversion de gaz sont indiqués sur la base des brûleurs.

Canalisation d'alimentation en gaz

Méthode recommandée

Installer une canalisation de gaz rigide de 1/2" (13 mm) jusqu'à l'emplacement d'installation de la sècheuse. On doit utiliser un composé d'étanchéité des tuyauteries résistant à l'action du gaz de pétrole liquéfié. Ne pas utiliser de ruban TEFLON®†. Pour l'alimentation au propane, le diamètre des canalisations ou tuyaux doit être de 1/2" (13 mm) minimum. En général, le fournisseur de gaz propane détermine les matériaux à utiliser et le diamètre approprié pour le circuit.



Test de pressurisation de la canalisation de gaz

Un piquage bouché de 1/8" (3 mm) NPT minimum, accessible pour le contrôle de pression, doit être installé immédiatement en aval du robinet d'arrêt installé pour la sècheuse (comme illustré ci-dessous). Lors de toute épreuve de pressurisation du système à une pression supérieure à 1/2 lb/po² (352 kg/m²), on doit déconnecter la sècheuse de la tuyauterie de l'alimentation en gaz.

Méthode alternative

L'alimentation en gaz peut aussi être raccordée à l'aide d'un conduit en cuivre ou en aluminium homologué de 3/8" (10 mm). Si la longueur totale de la canalisation d'alimentation est supérieure à 20 pi (6,1 m), utiliser un conduit de taille supérieure.

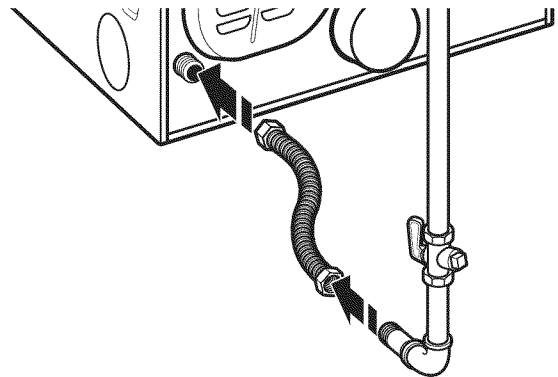
Pour le gaz naturel, ne pas utiliser de conduits en cuivre. On doit utiliser un composé d'étanchéité des tuyauteries résistant à l'action du gaz d'alimentation.

Robinet d'arrêt nécessaire

La canalisation d'alimentation doit comporter un robinet d'arrêt individuel manuel installé à 6 pi (1,8 m) maximum de la sècheuse conformément au National Fuel Gas Code, ANSI Z223.1. Le robinet doit se trouver dans la même pièce que la sècheuse. La canalisation doit se trouver en un endroit facilement accessible pour les manœuvres d'ouverture/fermeture. Ne pas entraver l'accès au robinet d'arrêt manuel. Au Canada, un robinet d'arrêt individuel doit être installé conformément aux codes d'installation B149.1 CAN/CGA B149.1 et CAN/CGA B149.2.

Raccord métallique flexible pour appareil ménager :

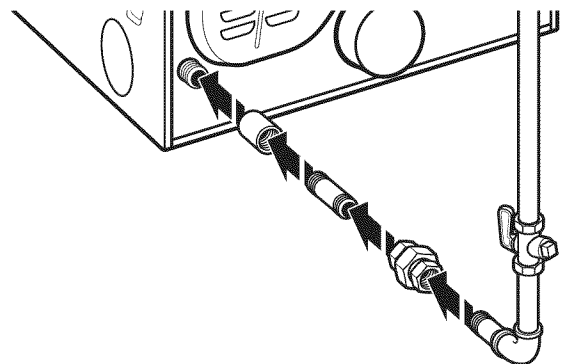
Il est recommandé d'utiliser une canalisation en acier inoxydable souple neuve, conception homologuée par CSA International, pour raccorder la sècheuse à la conduite d'alimentation en gaz. (La canalisation d'arrivée de gaz émergeant au niveau de la partie inférieure arrière de la sècheuse est dotée d'un filetage mâle de 3/8" [10 mm]).



REMARQUE : Ne pas déformer/endommager la canalisation en acier inoxydable flexible lors du déplacement de la porte.

Raccordement par conduit rigide

On doit utiliser un ensemble de raccords pour réaliser un raccordement rigide à la sècheuse.



INSTALLATION DE LA LAVEUSE/SÉCHEUSE SUPERPOSÉES

Élimination des accessoires de transport

REMARQUE : Faire glisser la sécheuse sur le carton ou le panneau dur avant de la déplacer pour éviter d'endommager le revêtement du sol.

⚠ AVERTISSEMENT

Risque du poids excessif

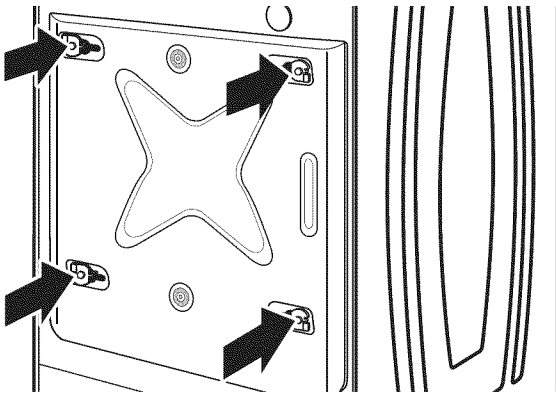
Utiliser deux ou plus de personnes pour déplacer et installer la laveuse/sécheuse.

Le non-respect de cette instruction peut causer une blessure au dos ou d'autre blessure.

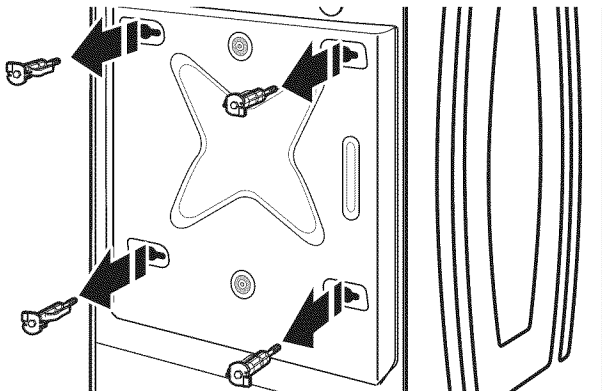
IMPORTANT : Positionner la laveuse/sécheuse de sorte que l'arrière de la laveuse se trouve à environ 3 pi (900 mm) de son emplacement final.

Sur le panneau arrière de la laveuse, 4 boulons de calage supportent le système de suspension durant le transport. Ces boulons retiennent aussi le cordon d'alimentation à l'intérieur de la laveuse jusqu'à ce qu'on les retire.

1. La laveuse/sécheuse doit se trouver en position verticale lors du retrait des boulons de calage.
2. À l'aide d'une clé de 1/2" (13 mm), desserrer chaque boulon.

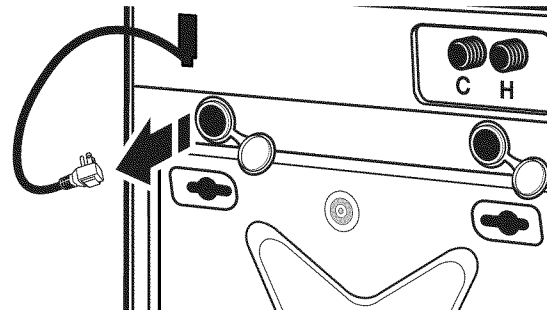
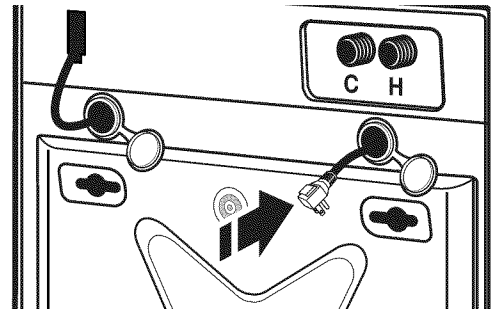


3. Une fois le boulon desserré, le déplacer au centre du trou et le retirer complètement, y compris la cale d'espacement en plastique couvrant le boulon. Une fois les 4 boulons retirés, jeter les boulons et les cales d'espacement.

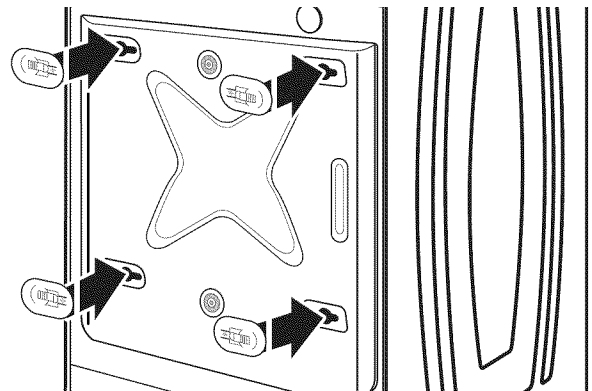


4. Les modèles avec un cordon d'alimentation séparé : Enfoncer la prise du cordon d'alimentation dans l'ouverture à droite du panneau arrière et tirer le cordon d'alimentation à travers l'ouverture à gauche du panneau arrière, puis boucher les trous à l'aide du capuchon fourni. Ne pas tirer l'extrémité du côté prise du cordon d'alimentation par le trou de droite.

REMARQUE : Pour éviter d'endommager les parties internes de la laveuse ou le cordon d'alimentation, si le cordon se retire difficilement du panneau arrière de la laveuse, ne pas forcer dessus. Retirer le panneau arrière de la laveuse et introduire le cordon d'alimentation de manière à ce qu'il contourne l'obstacle puis le faire ressortir par le trou du côté gauche du panneau arrière.



5. Obturer les trous des boulons de transport avec les 4 bouchons prévus à cet effet.

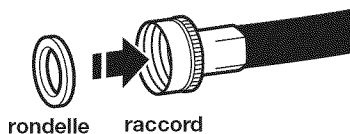


IMPORTANT : Si la laveuse/sécheuse doit être transportée, appeler le revendeur ou l'installateur du produit. Pour éviter d'endommager la suspension et la structure de la laveuse/sécheuse, celle-ci doit être correctement préparée pour déplacement éventuel par un technicien certifié.

INSTALLATION DE LA LAVEUSE/SÉCHEUSE SUPERPOSÉES

Raccordement des tuyaux d'alimentation

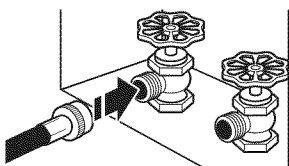
Insérer les rondelles de tuyau neuves (fournies) dans chaque extrémité des tuyaux d'arrivée d'eau. Insérer fermement les rondelles dans les raccords.



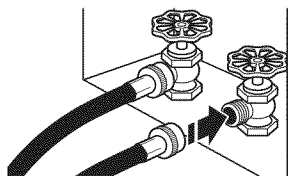
Raccorder les tuyaux d'arrivée d'eau aux robinets

S'assurer que le tambour de la laveuse est vide.

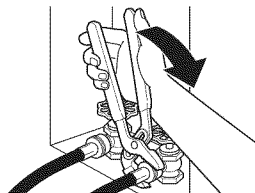
1. Fixer un tuyau au robinet d'eau chaude. Visser complètement le raccord à la main pour qu'il comprime la rondelle.



2. Fixer un tuyau au robinet d'eau froide. Visser complètement le raccord à la main pour qu'il comprime la rondelle.



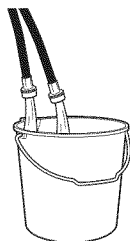
3. Terminer le serrage des raccords – deux tiers de tour avec une pince.



REMARQUE : Ne pas serrer excessivement ou utiliser du ruban adhésif ou un calfeutrant sur le robinet. Les robinets risquent d'être endommagés.

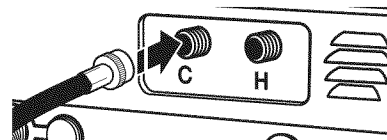
Purger les canalisations d'eau

- Laisser s'écouler l'eau des deux robinets et les tuyaux d'arrivée d'eau dans un évier de buanderie, un tuyau rigide de rejet à l'égout ou un seau pour éliminer les particules se trouvant dans les canalisations d'eau qui pourraient obstruer les tamis de la valve d'arrivée d'eau.
- Vérifier la température de l'eau pour s'assurer que le tuyau d'eau chaude est connecté au robinet d'eau chaude et que le tuyau d'eau froide est connecté au robinet d'eau froide.

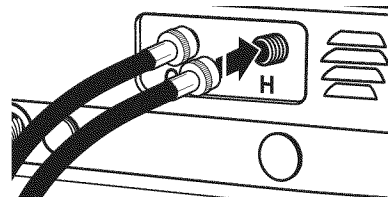


Connecter les tuyaux d'arrivée d'eau à la laveuse

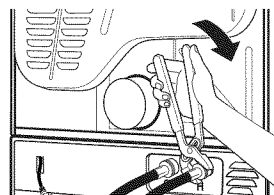
1. Fixer le tuyau d'eau froide au robinet d'arrivée d'eau froide de la laveuse. Visser complètement le raccord à la main pour qu'il comprime la rondelle.



2. Fixer le tuyau d'eau froide au robinet d'arrivée d'eau chaude de la laveuse. Visser complètement le raccord à la main pour qu'il comprime la rondelle.

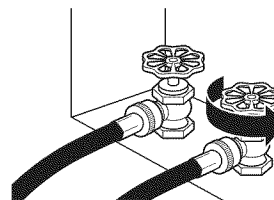


3. Terminer le serrage des raccords – deux tiers de tour avec une pince.



REMARQUE : Ne pas serrer excessivement. Les robinets risquent d'être endommagés.

4. Ouvrir les robinets d'eau complètement et vérifier s'il y a des fuites.



REMARQUE : Remplacer les tuyaux d'arrivée d'eau après 5 ans d'utilisation pour réduire le risque de défaillance intempestive. Prendre note de la date d'installation ou de remplacement des tuyaux d'arrivée d'eau, pour référence ultérieure.

Inspecter périodiquement les tuyaux et les remplacer en cas de renflement, de déformation, de coupure, d'usure ou de fuite.

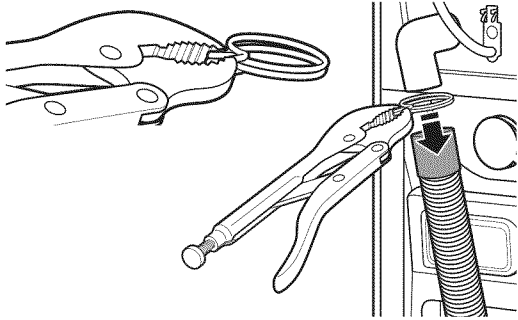
INSTALLATION DE LA LAVEUSE/SÉCHEUSE SUPERPOSÉES

Acheminer le tuyau d'évacuation

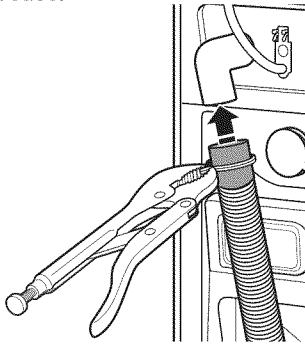
Le bon acheminement du tuyau de vidange évite d'endommager le sol à cause de fuites d'eau. Lire et suivre ces instructions.

Retirer le tuyau de vidange du tambour de la laveuse

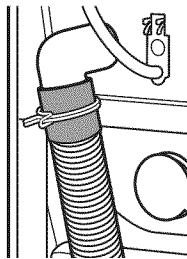
1. À l'aide d'une pince multiprise, serrer les deux onglets de la bride de tuyau et insérer la bride sur l'extrémité du tuyau de vidange.



2. Faire glisser le tuyau de vidange sur le raccord de la laveuse.



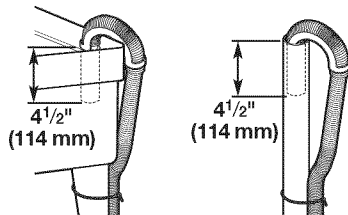
3. Une fois le tuyau de vidange en place, relâcher la prise de la pince.



Immobiliser le tuyau de vidange

1. Faire passer le cordon d'alimentation par-dessus la laveuse.
2. Déplacer la laveuse à son emplacement final.
3. Placer le tuyau de vidange dans l'évier de buanderie ou le tuyau de rejet à l'égout – voir l'illustration.

4. Immobiliser le tuyau de vidange avec l'attache de fixation perlée fournie.

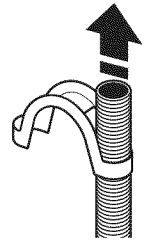


4. Le système de vidange de la laveuse peut être installé à l'aide d'un avaloir sol, un tuyau rigide de rejet à l'égout mural, un tuyau rigide de rejet à l'égout au sol ou un évier de buanderie.

Décharge de l'eau de lavage dans un évier de buanderie ou tuyau de rejet à l'égout

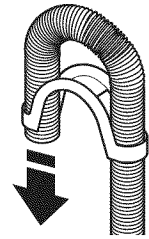
Connecter la bride de retenue pour tuyau de vidange sur le tuyau de vidange ondulé.

Emboîter une extrémité ou l'autre de la bride de retenue pour tuyau de vidange sur le tuyau de vidange, au point de commencement des ondulations.



Plier le tuyau de vidange pour le mettre au contact de la bride de retenue du tuyau de vidange, et emboîter l'autre extrémité de la bride sur le tuyau.

REMARQUE : L'extrémité du tuyau ne doit pas dépasser de plus de 1" (25 mm) de la bride de retenue.



Pour empêcher l'eau de vidange de refluer dans la laveuse :

- Ne pas redresser le tuyau de vidange ni forcer l'excédent de tuyau dans le tuyau rigide de rejet à l'égout. Le tuyau doit être bien immobilisé, tout en permettant le passage d'air.
- Ne pas mettre l'excédent du tuyau de vidange dans le fond de l'évier de buanderie.

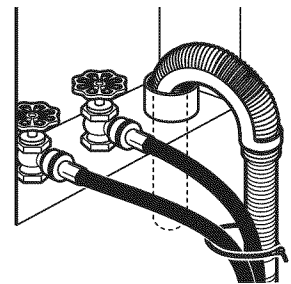
Égout au sol

Il vous faudra peut-être des pièces supplémentaires. Voir "Pièces supplémentaires".

5. Si les robinets d'eau et le tuyau rigide de rejet à l'égout sont placés en retrait, introduire l'extrémité en crochet du tuyau de vidange dans le tuyau rigide de rejet à l'égout – voir l'illustration.

REMARQUES :

- Ne pas forcer l'excédent de tuyau de vidange dans l'arrière de la laveuse.
- Pour éviter un effet de siphon, ne pas assurer l'étanchéité à la jonction entre le tuyau de vidange et le tuyau de rejet à l'égout.



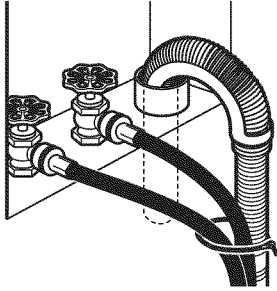
SYSTÈME D'ÉVACUATION DE LA LAVEUSE

La laveuse peut être installée en utilisant le système de rejet à l'égout (au sol ou mural), le système de vidange de l'évier de buanderie ou l'avaloir de sol.

Système de vidange avec tuyau rigide de rejet à l'égout – mural ou au sol

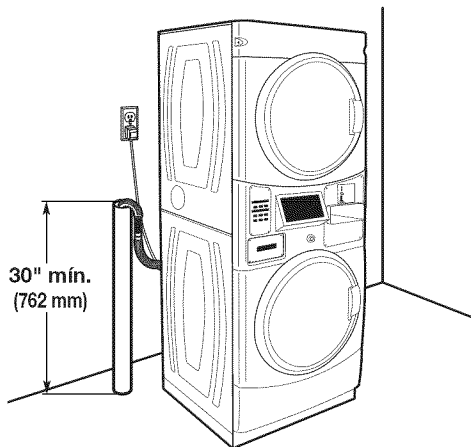
Le système de rejet à l'égout nécessite un tuyau de diamètre minimum de 2" (50 mm). La capacité minimale d'acheminement ne doit pas être inférieure à 10 gal. (38 L) par minute.

Mur



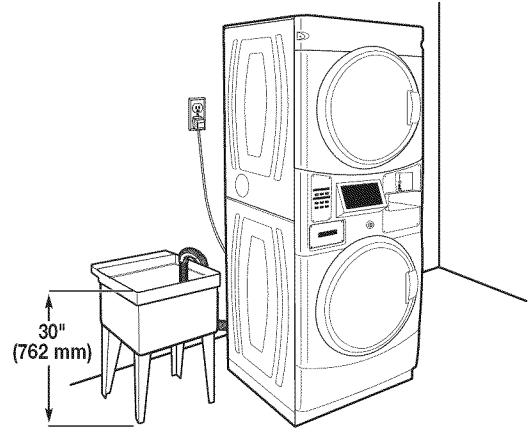
Le sommet du tuyau de rejet à l'égout doit être au moins à 30" (762 mm) de hauteur et au maximum à 96" (2,4 m) de la base de la laveuse.

Sol



Système de vidange dans un évier de buanderie

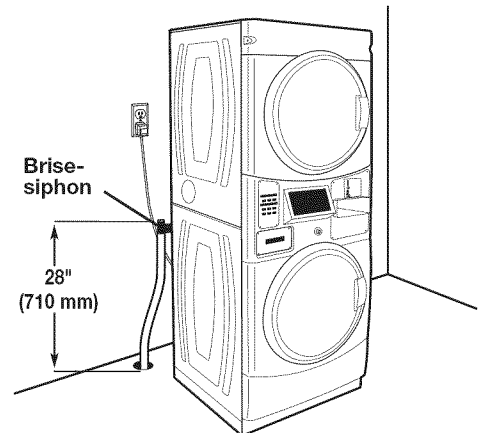
L'évier de buanderie doit avoir une capacité minimale de 20 gal. (76 L). La partie supérieure de l'évier de buanderie doit être à au moins 30" (762 mm) au-dessus du sol.



Système de vidange au sol

Le système de vidange au sol nécessite un brise-siphon qui peut être acheté séparément.

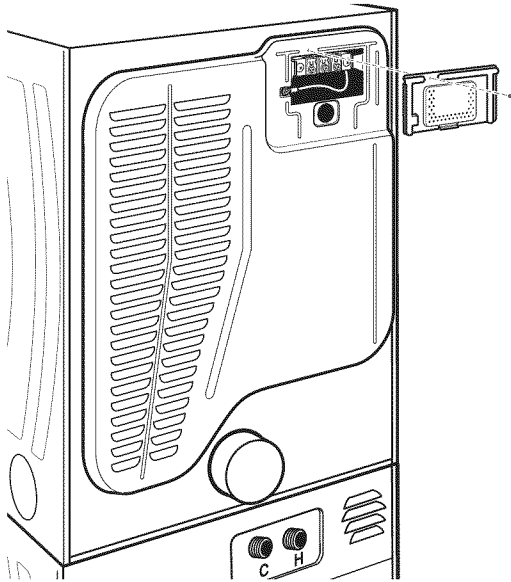
Le brise-siphon (pièce numéro 285834) doit se trouver au moins à 28" (710 mm) de la base de la laveuse. Des tuyaux supplémentaires peuvent s'avérer nécessaires.



RACCORDEMENTS DE LA SÈCHEUSE ÉLECTRIQUE

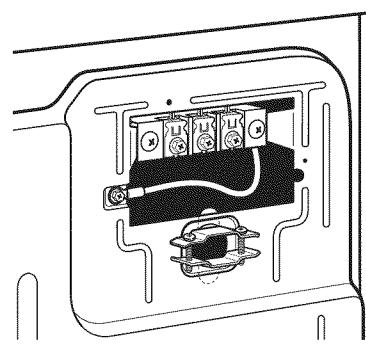
Serre-câble

Retirer le couvercle du bornier

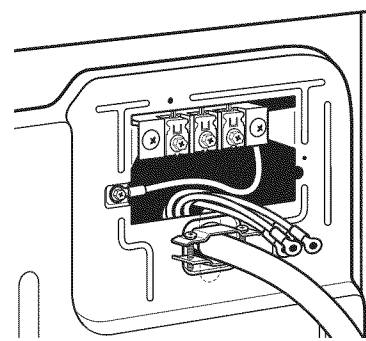


Serre-câble du cordon d'alimentation

1. Insérer le serre-câble.



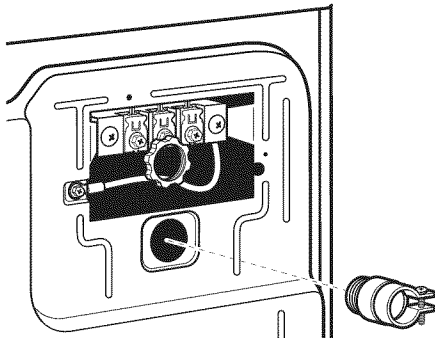
2. Insérer le serre-câble dans le cordon d'alimentation.



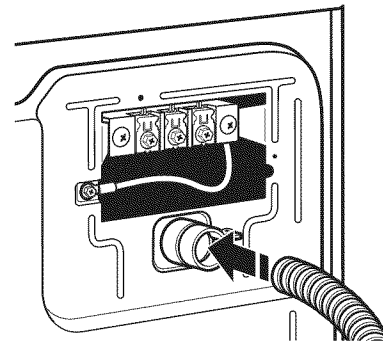
Serre-câble

Serre-câble pour câblage direct

1. Insérer le serre-câble.



2. Insérer le conduit dans le serre-câble et serrer la bride.

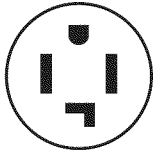


RACCORDEMENTS DE LA SÈCHEUSE ÉLECTRIQUE

Options de raccordement

Cordon d'alimentation

Prise murale à 4 fils (type NEMA 14-30R)

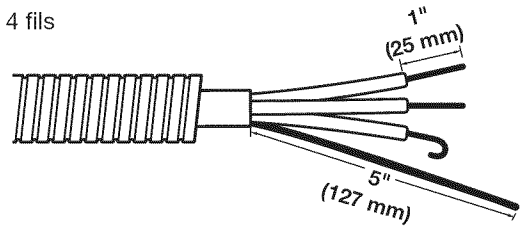


Prise murale à 3 fils (type NEMA 10-30R)

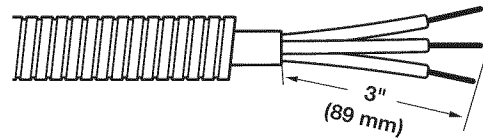


Raccordement par câblage direct

Direct – 4 fils



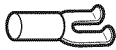
Direct – 3 fils



Raccordement de la connexion à 4 fils : Cordon d'alimentation

IMPORTANT : Un raccordement à 4 fils est obligatoire pour les maisons mobiles et lorsque les codes locaux n'autorisent pas l'utilisation de raccordements à 3 fils.

Connecteurs standard pour cordon d'alimentation



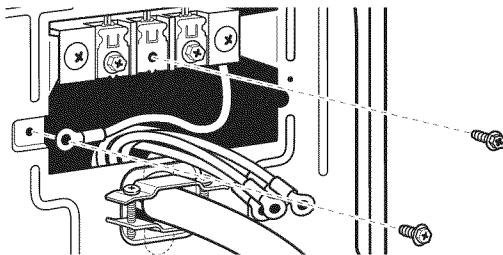
Connecteur à fourche et pointes relevées



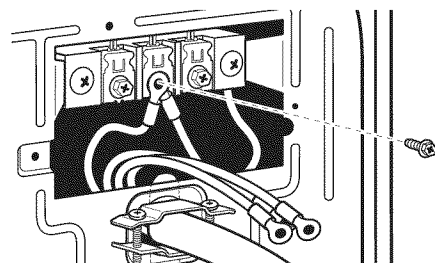
Connecteur rond

Raccordement du conducteur de mise à la terre et du conducteur neutre

1. Retirer la vis de la borne centrale du bornier et le conducteur de mise à la terre en retirant la vis du connecteur de terre externe.

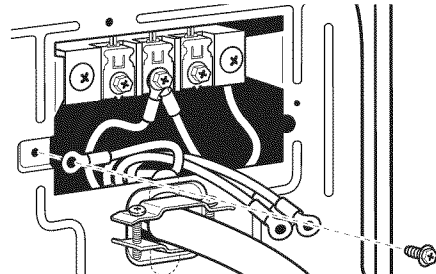


2. Connecter le conducteur de mise à la terre et le conducteur neutre à la borne centrale du bornier.



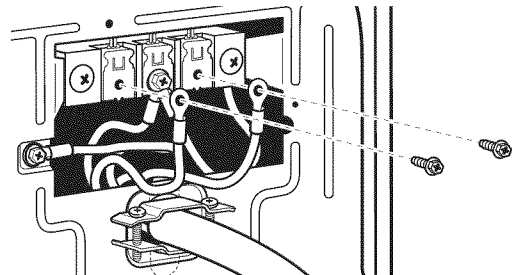
Raccordement direct du conducteur de terre

3. Connecter le conducteur de mise à la terre (vert ou nu) à la vis du connecteur de mise à la terre externe.



Connecter les conducteurs restants

4. Connecter les conducteurs restants aux vis les plus à l'extérieur du bornier.



RACCORDEMENTS DE LA SÈCHEUSE ÉLECTRIQUE

Raccordement de la connexion à 3 fils : Cordon d'alimentation

Connecteurs standard pour cordon d'alimentation



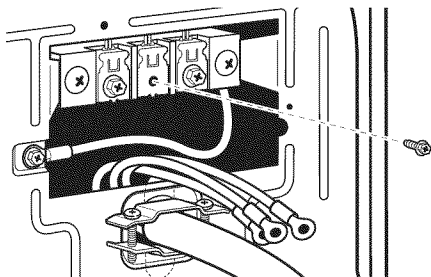
Connecteur à fourche et pointes relevées



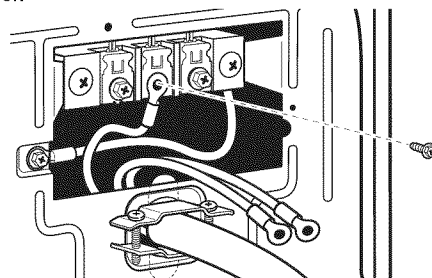
Connecteur rond

Raccordement du conducteur neutre

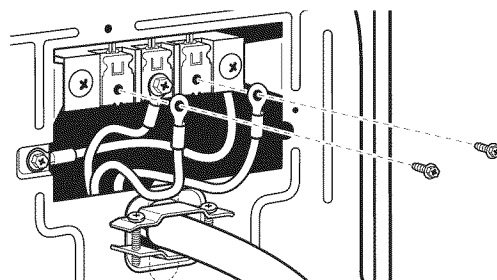
1. Desserrer ou retirer la vis de la borne centrale du bornier.



2. Connecter le conducteur neutre à la borne centrale du bornier.



3. Connecter les conducteurs restants aux vis les plus à l'extérieur du bornier.



Raccordement de la connexion à 4 fils : Raccordement par câblage direct

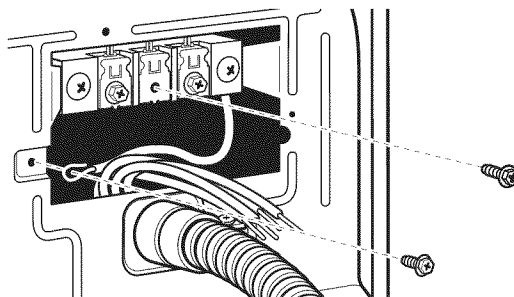
IMPORTANT : Un raccordement à 4 fils est obligatoire pour les maisons mobiles et lorsque les codes locaux n'autorisent pas l'utilisation de raccordements à 3 fils.

Le câble à raccordement direct doit avoir une longueur supplémentaire de 5 pi (1,52 m) pour pouvoir déplacer la sècheuse si nécessaire.

Dénuder une longueur de 5" (127 mm) de gaine extérieure à l'extrémité du câble, en laissant le conducteur de mise à la terre nu à la longueur de 5" (127 mm). Couper 1/2" (38 mm) des 3 conducteurs restants. Dénuder les conducteurs sur une longueur de 1" (25 mm). Former des crochets aux extrémités des conducteurs.

Raccordement du conducteur de mise à la terre et du conducteur neutre

1. Retirer la vis de la borne centrale du bornier et le conducteur de mise à la terre en retirant la vis du connecteur de terre externe.

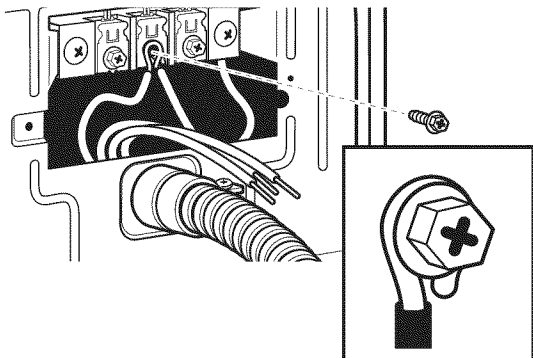


RACCORDEMENTS DE LA SÈCHEUSE ÉLECTRIQUE

Raccordement de la connexion à 4 fils : Raccordement par câblage direct

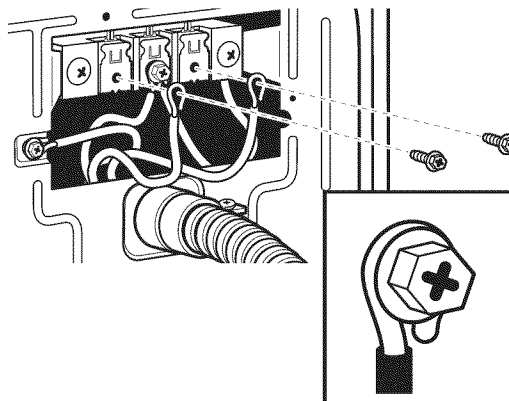
Raccordement du conducteur de mise à la terre et du conducteur neutre (suite)

2. Connecter le conducteur de mise à la terre et le conducteur neutre à la borne centrale du bornier.



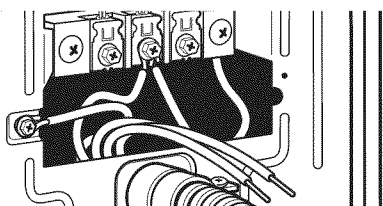
Connecter les conducteurs restants

4. Connecter les conducteurs restants aux bornes les plus à l'extérieur.



Raccordement direct du conducteur de terre

3. Connecter le conducteur de mise à la terre (vert ou nu) à la vis du connecteur de mise à la terre externe.



Raccordement de la connexion à 3 fils : Raccordement par câblage direct

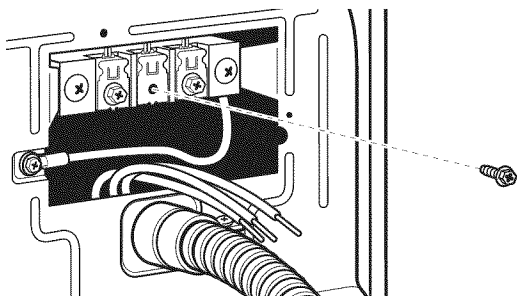
À utiliser lorsque les codes locaux autorisent la connexion du conducteur de masse de la caisse au conducteur neutre.

Le câble à raccordement direct doit avoir une longueur supplémentaire de 5 pi (1,52 m) pour pouvoir déplacer la sècheuse si nécessaire.

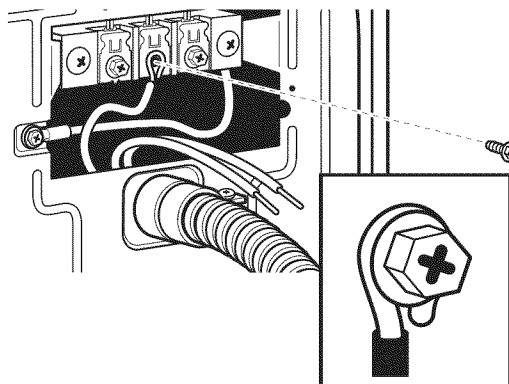
Dénuder une longueur de 3 1/2" (89 mm) de gaine extérieure à l'extrémité du câble. Dénuder les conducteurs sur une longueur de 1" (25 mm). En cas d'utilisation d'un câble à 3 fils avec conducteur de mise à la terre, couper le fil nu au même niveau que la gaine extérieure. Former des crochets aux extrémités des conducteurs.

Raccordement du conducteur neutre

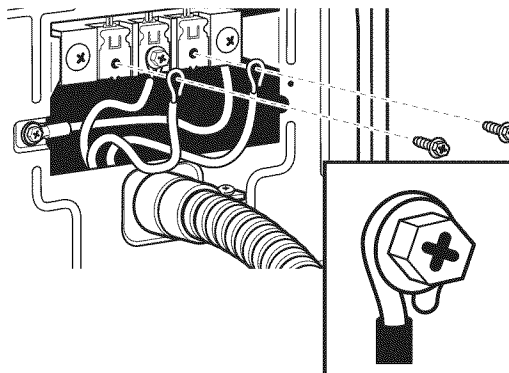
1. Desserrer ou retirer la vis de la borne centrale du bornier.



2. Connecter le conducteur neutre à la borne centrale du bornier.



3. Connecter les conducteurs restants aux bornes les plus à l'extérieur.



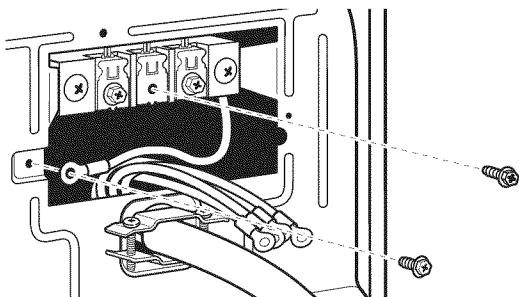
RACCORDEMENTS DE LA SÈCHEUSE ÉLECTRIQUE

Raccordement de la connexion à 3 fils : Facultatif

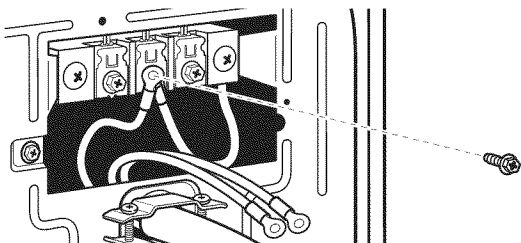
À utiliser pour le raccordement direct ou le cordon d'alimentation si les codes locaux ne permettent pas le raccordement du conducteur de terre de la caisse au neutre.

Raccordement du conducteur neutre

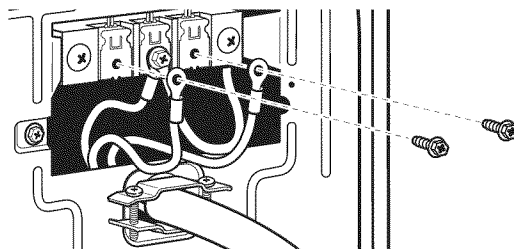
1. Retirer la vis de la borne centrale. Retirer également le conducteur de mise à la terre neutre en retirant la vis du conducteur de mise à la terre externe.



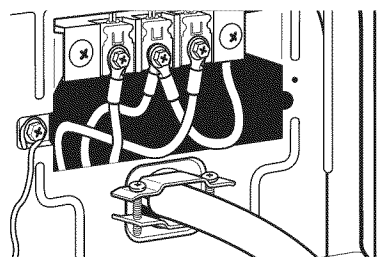
2. Connecter le conducteur neutre et le conducteur neutre du cordon d'alimentation/câble à la borne centrale.



3. Connecter les conducteurs restants aux bornes les plus à l'extérieur.



4. Raccorder un autre conducteur de mise à la terre en cuivre depuis le conducteur de mise à la terre externe jusqu'à une terre adéquate.



NIVELLEMENT

Nivellement de la laveuse/sècheuse superposées

Le nivellement de la laveuse/sècheuse permet le bruit et les vibrations excessifs.

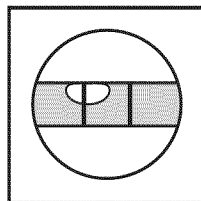
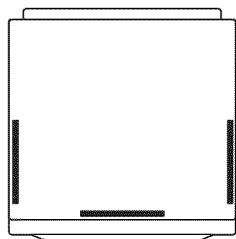
AVERTISSEMENT

Risque du poids excessif

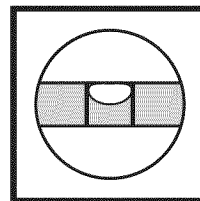
Utiliser deux ou plus de personnes pour déplacer et installer la laveuse/sècheuse.

Le non-respect de cette instruction peut causer une blessure au dos ou d'autre blessure.

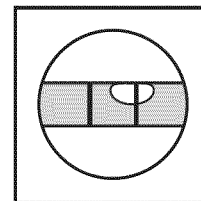
1. Enlever la plaque de carton placée sous la laveuse. Placer un niveau sur les bords supérieurs de la laveuse/sècheuse en contrôlant chaque côté et l'avant. Si elle n'est pas d'aplomb, faire basculer la laveuse/sècheuse et régler les pieds vers le haut ou vers le bas tel qu'indiqué dans les étapes 3 et 4, et recommencer si nécessaire.



Pas d'aplomb



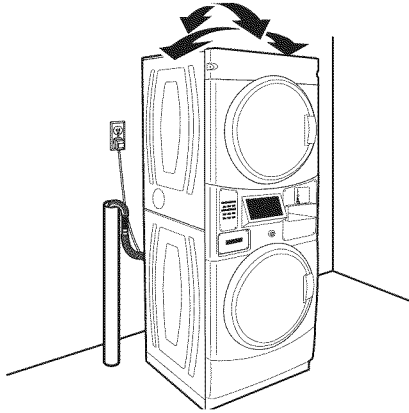
D'APLOMB



Pas d'aplomb

Nivellement de la laveuse/sécheuse superposées (suite)

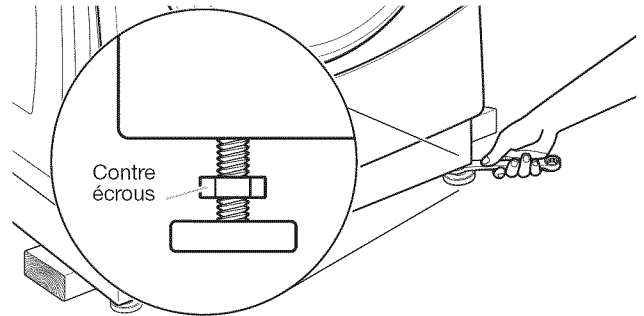
2. Saisir la laveuse/sécheuse par le dessus et la faire basculer d'avant en arrière tout en s'assurant que les quatre pieds sont en contact ferme avec le sol. Faire de nouveau basculer la laveuse/sécheuse, transversalement. Si la laveuse/sécheuse bascule, passer à l'étape 3 et ajuster les pieds de nivellement. Si les quatre pieds sont en contact ferme avec le sol, passer à l'étape 4.



3. Si la laveuse/sécheuse n'est pas d'aplomb, utiliser une clé plate ou une clé à molette de 9/16" ou 14 mm pour tourner les contre-écrous dans le sens horaire (vue du dessus) sur les pieds jusqu'à ce qu'ils se trouvent à environ 1/2" (13 mm) de la caisse de la laveuse/sécheuse. Tourner ensuite le pied de nivellement dans le sens antihoraire pour abaisser la laveuse/sécheuse ou dans le sens horaire pour les soulever.

Contrôler à nouveau l'aplomb de la laveuse/sécheuse et vérifier que les quatre pieds sont en contact ferme avec le sol. Répéter si nécessaire.

CONSEIL UTILE : Il serait judicieux de soulever l'avant de la laveuse/sécheuse d'environ 4" (102 mm) à l'aide d'une cale en bois ou d'un objet similaire qui soutiendra le poids de la laveuse/sécheuse.



4. Après que l'aplomb de la laveuse/sécheuse a été établi et que les quatre pieds sont en contact ferme avec le sol, tourner les contre-écrous dans le sens antihoraire (vue du dessus) sur les pieds de nivellement à l'aide d'une clé plate ou d'une clé à molette de 9/16" ou 14 mm jusqu'à ce qu'ils soient bien serrés contre la caisse de la laveuse/sécheuse.

CONSEIL UTILE : On devra peut-être de nouveau soulever légèrement la laveuse/sécheuse à l'aide d'une cale de bois.

Achever l'installation

1. Consulter les spécifications électriques. Vérifier que la tension électrique disponible est correcte et que la prise de courant est convenablement reliée à la terre. Voir "Spécifications électriques".
2. Vérifier que toutes les pièces sont maintenant installées. S'il reste une pièce, passer en revue les différentes étapes.
3. Vérifier la présence de tous les outils.
4. Éliminer/recycler tous les matériaux d'emballage.
5. Vérifier que les robinets d'eau sont ouverts.
6. Vérifier qu'il n'y a pas de fuite autour des robinets et des tuyaux d'arrivée d'eau.

8. Pour tester et nettoyer la laveuse, mesurer la moitié de la quantité de détergent HE Haute efficacité recommandée par le fabricant pour une charge de taille moyenne. Verser le détergent dans le distributeur de détergent. Sélectionner un programme et laisser la laveuse exécuter ce programme en entier.
9. Contrôler le bon fonctionnement de la sécheuse. Choisir un programme avec niveau de chaleur maximal et laisser la sécheuse fonctionner pendant au moins cinq minutes. La sécheuse s'arrête une fois la durée écoulée.

REMARQUE : La porte de la sécheuse doit être fermée pour que celle-ci puisse fonctionner. Si l'on ouvre la porte, la sécheuse s'arrête mais la minuterie continue à fonctionner. Pour redémarrer la sécheuse, fermer la porte et appuyer sur le bouton de programme souhaité.

Si le brûleur ne s'allume pas et qu'on ne ressent pas de chaleur à l'intérieur de la sécheuse, éteindre la sécheuse pendant cinq minutes. Vérifier que toutes les manettes des vannes d'alimentation sont en position ouverte ("ON") et que le cordon électrique est branché. Répéter le test de 5 minutes décrit ci-dessus.

AVERTISSEMENT



Risque de choc électrique

- Brancher sur une prise à 3 alvéoles reliée à la terre.**
- Ne pas enlever la broche de liaison à la terre.**
- Ne pas utiliser un adaptateur.**
- Ne pas utiliser un câble de rallonge.**
- Le non-respect de ces instructions peut causer un décès, un incendie ou un choc électrique.**

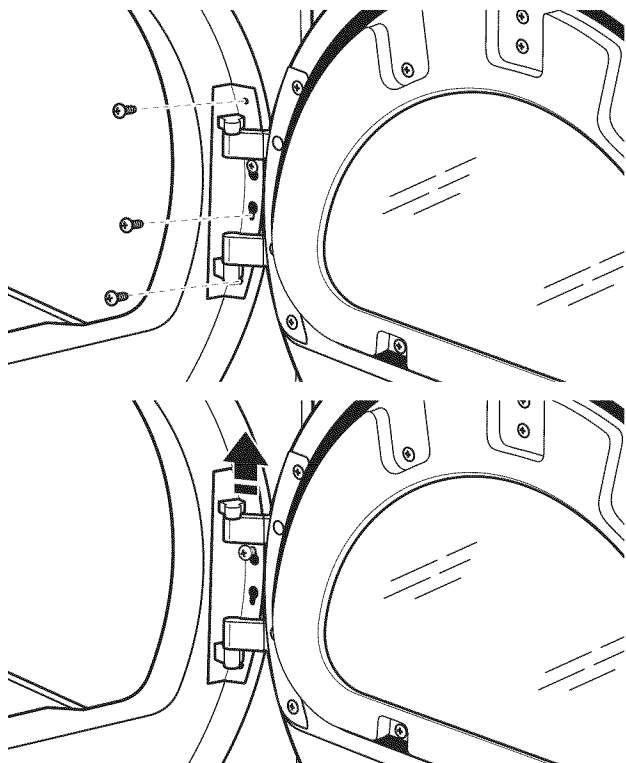
7. Brancher sur une prise reliée à la terre ou connecter la source de courant électrique.

INVERSION DU SENS D'OUVERTURE DE LA PORTE DE LA SÈCHEUSE

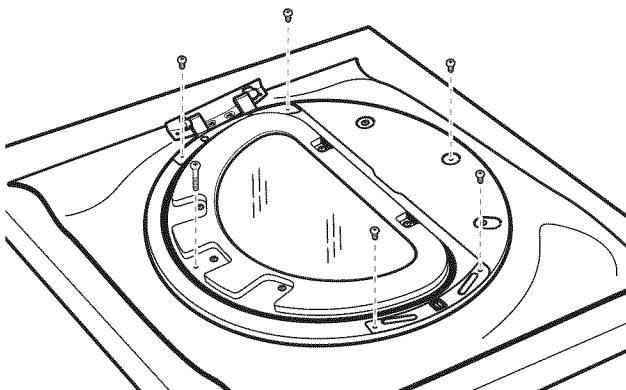
REMARQUE : Sécheuse uniquement. La porte de la laveuse n'est pas réversible.

Dépose de la porte

1. Placer une serviette ou un chiffon doux sur le dessus de la sécheuse ou du plan de travail pour éviter d'érafler la surface.
2. Enlever 3 des 4 vis qui maintiennent la charnière de la porte sur le panneau avant de la sécheuse. Desserrer partiellement la vis restante dans l'ouverture en forme de trou de serrure et soulever la porte pour la dégager de la vis.

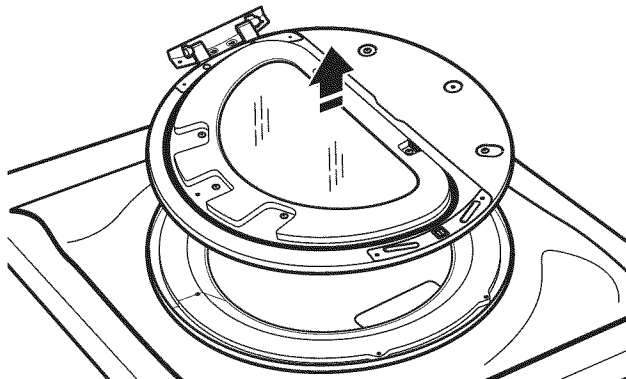


3. Poser la porte sur une surface plane préparée à l'avance en orientant l'intérieur (partie interne de la porte) vers le haut et retirer les 6 vis Phillips pour séparer la partie externe de la porte de la partie interne.

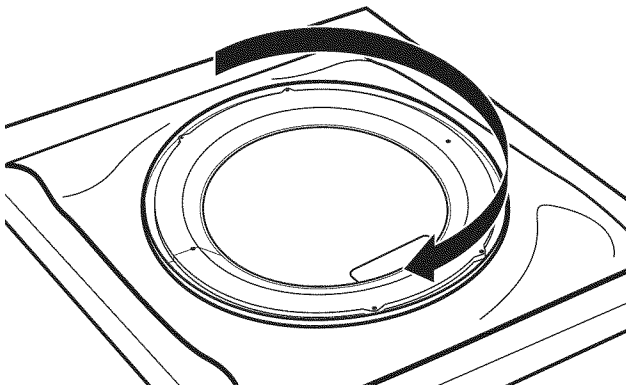


REMARQUE : Il est important d'enlever uniquement les 6 vis indiquées.

4. Soulever la partie interne de la porte pour la dégager de la partie externe.

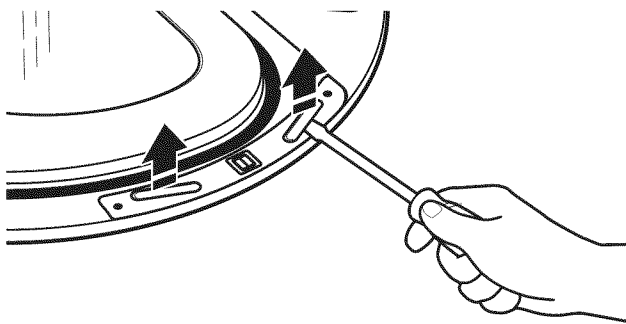


5. Faire pivoter la partie externe de 180°.

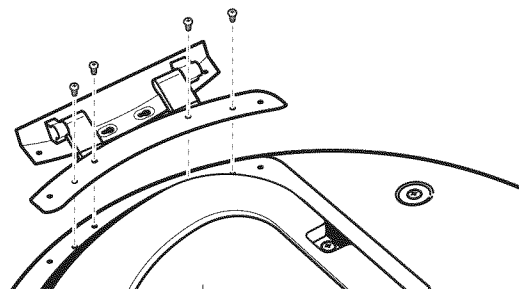


Inversion de la charnière

1. Utiliser un petit tournevis à lame plate pour enlever 2 pitons d'obturation de la partie interne de la porte. Faire glisser la tête du tournevis sous les pitons, en veillant à ne pas érafler la partie interne de la porte et soulever la languette.

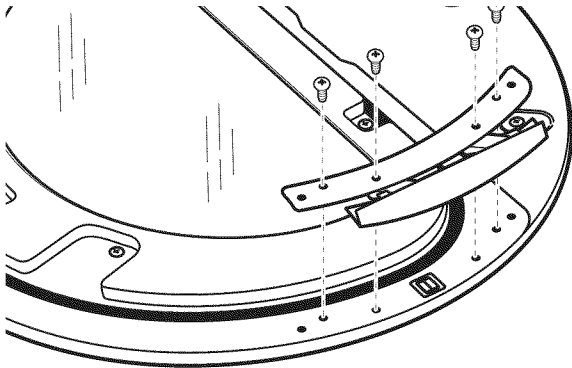


2. Retirer les 4 vis fixant la charnière de porte interne.

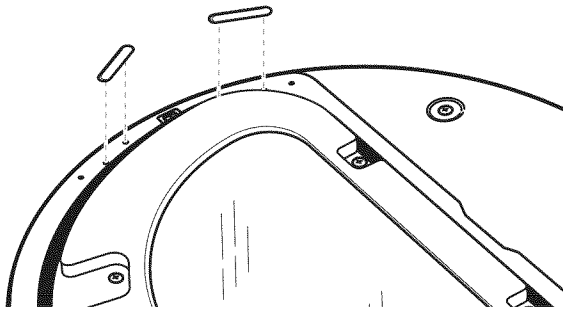


INVERSION DU SENS D'OUVERTURE DE LA PORTE DE LA SÈCHEUSE

3. Déplacer la charnière de l'autre côté. Réinstaller les 4 vis.



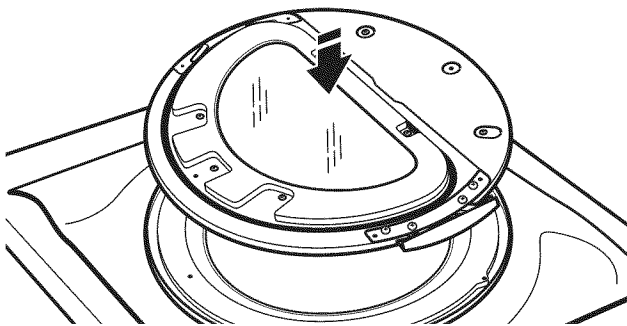
4. Réinstaller les pitons d'obturation sur le côté opposé de la porte interne.



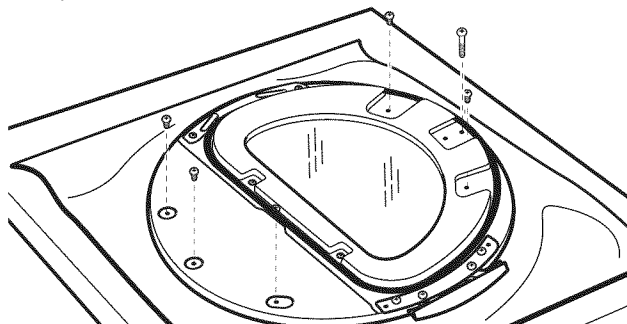
5. Vérifier qu'il n'y a pas de marques de doigts sur le verre. Nettoyer au besoin.

Remplacement de la porte

1. Placer la partie interne de la porte à l'intérieur de la partie externe.

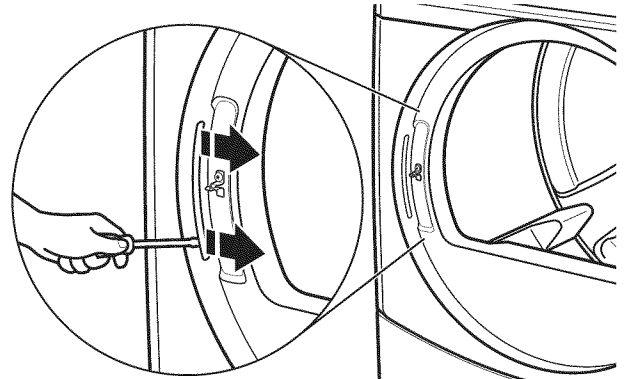


2. Assembler de nouveau les parties interne et externe de la porte avec les 6 vis.

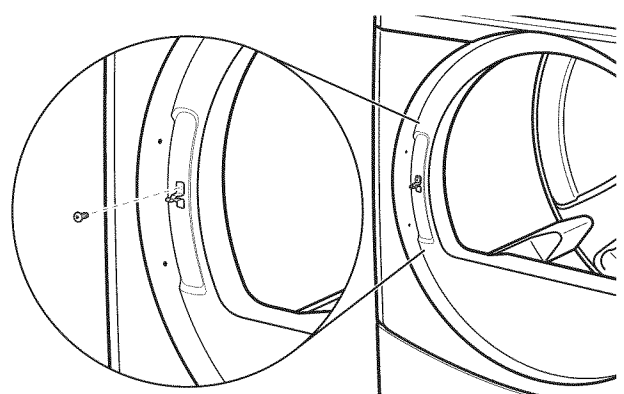


Inversion de la gâche

1. Utiliser un petit tournevis à lame plate pour enlever les pitons d'obturation dans l'ouverture de la porte du sèche-linge. Faire glisser la tête du tournevis sous les pitons, en veillant à ne pas érafler la surface de la sècheuse et soulever la languette.



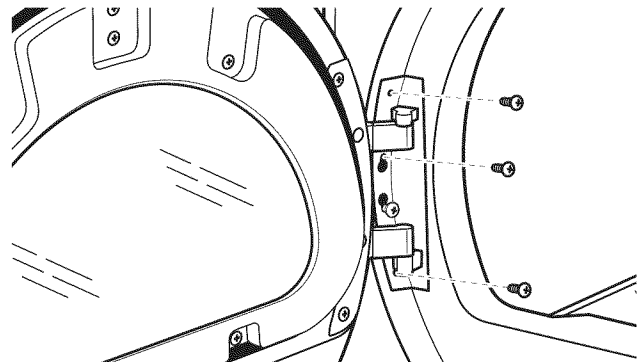
2. Retirer la gâche à l'aide d'un tournevis Phillips.



3. Installer la gâche du côté opposé.

Réinstallation de la porte

1. Insérer partiellement la troisième vis depuis le dessus et faire coulisser la charnière sur la vis tout en insérant la charnière dans le trou du panneau avant. Fixer de nouveau la porte sur le panneau avant de la sècheuse avec les 3 vis restantes.



2. Vérifier qu'il n'y a pas de marques de doigts sur le verre. Nettoyer au besoin.

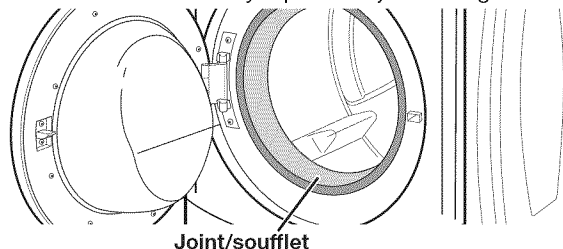
3. Fermer la porte et vérifier qu'elle s'enclenche solidement.

INSTRUCTIONS D'ENTRETIEN DE LA LAVEUSE/SÉCHEUSE SUPERPOSÉES

Laveuse

Nettoyage du joint/soufflet de la porte

1. Ouvrir la porte de la laveuse et retirer tout vêtement ou article de la laveuse.
2. Inspecter la porte de verre interne. Si l'on note la présence de résidus, essuyer les résidus avec un chiffon humide.
3. Examiner le joint/soufflet coloré entre l'ouverture de la porte et le panier pour déceler d'éventuelles zones tachées. Tirer sur le joint/soufflet pour examiner toutes les zones sous le joint/soufflet et voir s'il n'y a pas d'objets étrangers.



4. Si des zones tachées sont décelées, essuyer ces zones de la façon suivante :
 - a) Mélanger une solution diluée en utilisant 3/4 de tasse (177 mL) d'agent de blanchiment liquide au chlore et 1 gal. (3,8 L) d'eau tiède du robinet.
 - b) Essuyer la zone du joint/soufflet avec la solution diluée, en utilisant un chiffon humide.
 - c) Laisser agir pendant 5 minutes.
 - d) Essuyer la zone complètement avec un chiffon sec et laisser l'intérieur de la laveuse sécher à l'air en laissant la porte ouverte.

IMPORTANT :

- Porter des gants en caoutchouc en cas de nettoyage pendant une période prolongée.
- Consulter les instructions du fabricant de l'agent de blanchiment pour une utilisation correcte.

Consignes d'entretien :

Cette laveuse comporte un programme spécial qui utilise des volumes d'eau plus importants en combinaison avec l'agent de blanchiment liquide pour nettoyer à fond l'intérieur de la laveuse.

REMARQUES :

- Lire ces instructions complètement avant de débiter la procédure de nettoyage.
- Si nécessaire, le programme de nettoyage peut être interrompu en appuyant deux fois sur le bouton situé à l'angle inférieur droit (QUICK CYCLE, programme rapide). Cependant, ceci n'arrêtera pas immédiatement le programme. La laveuse poursuit avec plusieurs rinçages et vidanges afin d'évacuer toute trace d'agent de blanchiment de la laveuse.

Nettoyage de l'intérieur de la laveuse :

1. Ouvrir la porte de la laveuse et retirer tout vêtement ou article de la laveuse.
2. **Utilisation de l'agent de blanchiment liquide au chlore :** Ouvrir le tiroir distributeur et ajouter immédiatement 2/3 de tasse (160 mL) d'agent de blanchiment liquide au chlore dans le compartiment d'agent de blanchiment.

REMARQUE : Ne pas ajouter de détergent. L'utilisation de plus de 2/3 de tasse (160 mL) d'agent de blanchiment endommagera le produit avec le temps.

3. Fermer la porte de la laveuse et le tiroir distributeur.
4. Pour démarrer le programme de nettoyage complet de la laveuse, accéder d'abord au mode de service. Appuyer ensuite sur le bouton inférieur droit (QUICK CYCLE, programme rapide) pendant 2 secondes. Alors que l'affichage tout entier clignote, appuyer sur le bouton central à droite (BRIGHTS, couleurs vives).

Pour quitter le mode de service et activer le programme de nettoyage de la laveuse, appuyer sur le bouton Brights (couleurs vives), puis tourner la clé.

REMARQUE : La porte se verrouille, le panier pivote d'un demi-tour, la porte se déverrouille, se verrouille à nouveau et le programme de nettoyage de la laveuse se poursuit ensuite.

- La laveuse ne se remplit pas mais le panier pivote tandis que la laveuse effectue un court programme de détection. Ceci prend environ 3 minutes.

5. Le programme détermine si des vêtements ou autres articles se trouvent dans la laveuse.

a) Si aucun article n'est détecté dans la laveuse, la machine passe à l'étape 7.

b) Si aucun article n'est détecté dans la laveuse, "F-34" s'affiche. La porte se déverrouille ensuite.

- Accéder au mode de service et appuyer ensuite sans relâcher sur le bouton inférieur droit (QUICK CYCLE, programme rapide) pour annuler le code d'erreur. Répéter ensuite les étapes 1, 3 et 4 pour remettre le programme en marche.

6. Une fois que le programme a commencé, laisser le programme s'achever.

7. Une fois le programme terminé, laisser la porte entrouverte pour une meilleure aération et pour que l'intérieur de la laveuse puisse sécher.

INSTRUCTIONS D'ENTRETIEN DE LA LAVEUSE/SÉCHEUSE SUPERPOSÉES

Laveuse

Toujours suivre la procédure qui suit afin de préserver la fraîcheur de la laveuse :

- Utiliser uniquement un détergent HE Haute efficacité.
- Laisser la porte entrouverte après chaque programme pour permettre une meilleure ventilation et pour que l'intérieur de la laveuse puisse sécher.
- Nettoyer la laveuse chaque mois à l'aide de la procédure de nettoyage de la laveuse, en utilisant 2/3 de tasse (160 ml) d'agent de blanchiment liquide au chlore.
- Si cette procédure ne permet pas de remédier efficacement aux problèmes de fraîcheur de la machine, examiner les conditions d'installation et d'utilisation pour déceler les autres causes possibles.

Nettoyage de l'extérieur

Utiliser une éponge ou un chiffon doux humide pour essuyer les renversements. Essuyer occasionnellement les surfaces externes de la laveuse pour maintenir son apparence d'appareil neuf. Utiliser un savon doux et de l'eau. Ne pas utiliser de produits abrasifs.

Nettoyage du tiroir distributeur

Le tiroir distributeur est amovible pour faciliter le nettoyage.

1. Débloquer le tiroir du distributeur en insérant un tournevis plat pour dégager le mécanisme de blocage. Retirer le tiroir distributeur.
2. Ôter les inserts (le siphon des compartiments de l'assouplissant de tissu et de l'agent de blanchiment).
3. Laver les pièces sous l'eau du robinet.

REMARQUE : Ne pas laver les composants au lave-vaisselle.

4. Réinstaller les pièces incluses et remettre le distributeur dans le tiroir.

Tuyaux d'arrivée d'eau

Remplacer les tuyaux d'arrivée d'eau après 5 ans d'utilisation pour réduire le risque de défaillance intempestive. Inspecter périodiquement les tuyaux; les remplacer en cas de renflement, de déformation, de coupure et d'usure ou de fuite.

Lors du remplacement des tuyaux d'arrivée d'eau, inscrire la date du remplacement.

Sécheuse

Consignes d'entretien :

- Nettoyer le filtre à charpie avant ou après chaque programme.
- Comment enlever la charpie accumulée :

À l'intérieur de la caisse de la sécheuse :

Il faut retirer la charpie accumulée dans le conduit d'évacuation tous les 2 ans ou plus souvent, selon l'utilisation de la sécheuse. Le nettoyage doit être effectué par une personne qualifiée.

De l'intérieur du conduit d'évacuation :

Retirer la charpie tous les 2 ans, ou plus souvent, selon l'utilisation de la sécheuse.

- Dégager l'espace autour de la sécheuse; aucune matière combustible, essence ou autres vapeurs ou liquides inflammables ne doit s'y trouver.
- Dégager l'emplacement de la sécheuse de façon à ce qu'il soit libre de tout élément susceptible d'obstruer le débit d'air de combustion et de ventilation.

Si la sécheuse ne fonctionne pas, contrôler ce qui suit :

- La prise de courant est correctement alimentée.
- Le disjoncteur ne s'est pas déclenché et aucun fusible n'est grillé.
- La porte est fermée. Écouter attentivement pour vérifier que le loquet de porte s'enclenche.
- Le bouton de sélection de programmes a été fermement enfoncé.
- Pour les sécheuses à gaz, vérifier que chaque robinet d'arrêt de gaz est ouvert.

SI VOUS AVEZ BESOIN D'ASSISTANCE

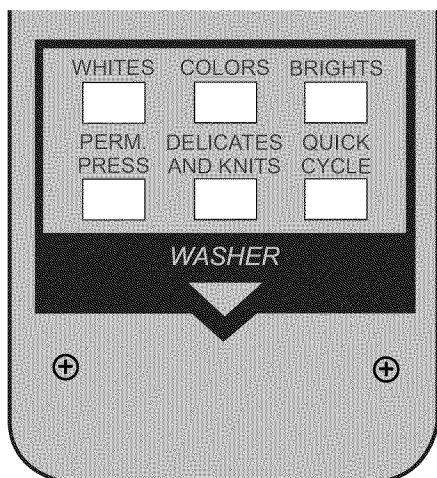
Contactez le revendeur autorisé d'appareils de buanderie à usage commercial Maytag®. Pour localiser votre revendeur autorisé d'appareils de buanderie à usage commercial Maytag® ou pour toute question via internet, consulter www.MaytagCommercialLaundry.com.

Si vous ne parvenez pas à localiser un revendeur, le centre d'aide pour les appareils de buanderie à usage commercial répond à toute question qui n'aurait pas été abordée dans les "Instructions d'installation" au sujet du fonctionnement ou de l'entretien de la laveuse/sécheuse.

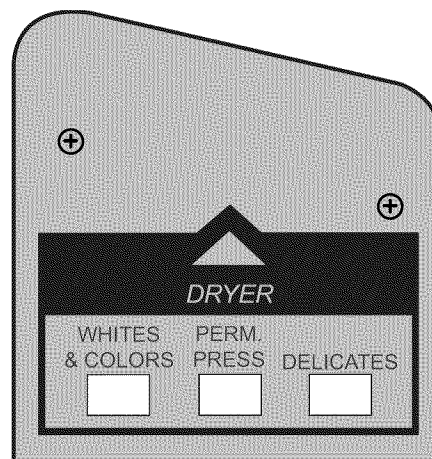
Il suffit de composer le 1-800 NO BELTS (1-800-662-3587) – l'appel est gratuit.

Lors de votre appel, vous aurez besoin du numéro de modèle et de série de la laveuse/sécheuse. Ces deux numéros figurent sur la plaque signalétique située dans l'encadrement de la porte de la sécheuse.

INSTRUCTIONS DE RÉGLAGE DU TABLEAU DE COMMANDE ÉLECTRONIQUE



Commandes de la laveuse



Commandes de la sècheuse

REMARQUE : Une fois la laveuse/sècheuse installée et branchée, l'affichage indique "0 MINUTES" sur les parties concernant la laveuse et la sècheuse. Une fois les portes de la laveuse et de la sècheuse ouvertes et fermées, l'affichage indique le prix pour chaque machine. Sur les laveuses/sècheuses réglées sur des programmes gratuits, les sections de l'affichage indiquent "SELECT CYCLE" (sélectionner programme) en clignotant.

1. Modèles PD : Insérer les pièces jusqu'à ce que "SELECT CYCLE" (sélectionner programme) clignote sur la partie de l'affichage concernant la laveuse ou la sècheuse à faire fonctionner.

Modèles PR : Une carte de débit est nécessaire à la place des pièces. Les systèmes de cartes de débit de 1e ou 2e génération peuvent être utilisés ; cependant, en cas d'utilisation du système à carte de débit de 2e génération, les commandes sont réglées automatiquement sur le mode Enhanced Debit (débit amélioré) (code J. Ed). Dans le mode débit amélioré, le solde de la carte s'affiche également lorsqu'elle est insérée dans le lecteur.

2. La porte doit être fermée sur la laveuse/sècheuse souhaitée avant de pouvoir sélectionner le programme.

3. Appuyer sur le bouton de réglage du tissu pour le programme de laveuse/sècheuse souhaité. Une fois le programme commencé, un compte à rebours s'affiche.

4. Si un programme est interrompu par l'ouverture de la porte ou une coupure d'alimentation, la mention "RESELECT CYCLE" (resélectionner le programme) clignote sur l'affichage. Pour remettre la laveuse/sècheuse en marche, fermer la porte et sélectionner le programme souhaité.

REMARQUE : En cas de réglage pour un fonctionnement gratuit, le programme d'une sècheuse en cours s'annule si la porte est ouverte.

Informations générales d'utilisation de la laveuse/sècheuse

DÉFILEMENT D'UN MESSAGE DE "OUT OF ORDER" (EN PANNE), SUIVI DU CODE DE DÉFAILLANCE OU DE DIAGNOSTIC, SUR L'AFFICHAGE – Cette situation indique que la laveuse ou la sècheuse ne fonctionne pas. L'affichage des codes de diagnostic dans la partie supérieure de l'affichage concerne la section sècheuse et ceux affichés dans la portion inférieure concernent la section laveuse. Les codes de diagnostic affichés dans les portions supérieure et inférieure de l'affichage concernent le système de commande de la laveuse et de la sècheuse.

"0 MINUTES" INDIQUÉ SUR L'AFFICHAGE – Cette mention indique que le programme est terminé et que la laveuse/sècheuse ne peut pas être remise en marche. Les pièces introduites ou le débit par carte engagé pendant cette phase sont stockées en avoir, mais ne sont pas utilisables tant que le fonctionnement normal n'est pas rétabli par l'ouverture et la fermeture de la porte. En cas de défaillance du contacteur d'une porte, qui provoque le maintien de l'affichage "0 MINUTES" après l'ouverture et la fermeture de la porte, le contacteur doit être remplacé avant le rétablissement d'un fonctionnement normal.

DÉMARRAGE À FROID (première utilisation) – La laveuse/sècheuse est programmée en usine de la manière suivante :

Laveuse	Durée de lavage de 11 minutes
	Prix du lavage 1,75 \$ (modèles PD)
	Prix du lavage 0,00 \$ (modèles PR)
	3 rinçages (rinçage supplémentaire non activé)
Sècheuse	5 minutes par 0,25 \$ pour les modèles PD
	Durée de séchage 45 minutes pour les modèles PR
	Prix du séchage 1,50 \$ (programme fixe avec durée supplémentaire – Modèles PD).
	Prix du séchage 0,00 \$ (programme fixe – Modèles PR)

INSTRUCTIONS DE RÉGLAGE DU TABLEAU DE COMMANDE ÉLECTRONIQUE

DÉMARRAGE À CHAUD (après coupure d'électricité) – Quelques secondes après le rétablissement de l'alimentation, si un programme était en cours au moment de la coupure, "RESELECT CYCLE" (resélectionner programme) clignote sur l'affichage, indiquant qu'il faut appuyer sur un bouton pour redémarrer la laveuse ou la sècheuse.

VERROUILLAGE DE LA PORTE DE LA LAVEUSE – Avant le début d'un programme, une séquence de verrouillage/déverrouillage/reverrouillage de la porte a lieu, puis le programme commence. La porte est verrouillée jusqu'à la fin d'un programme ou environ 2 minutes après une coupure d'électricité.

TARIFS – Une fois la porte ouverte, puis fermée après la fin de programme, l'affichage indique le prix du programme (à moins d'un réglage pour un fonctionnement gratuit, où l'affichage clignote en indiquant "Select Cycle" (sélectionner programme)). Après l'insertion de pièces ou un débit de la carte de débit, l'affichage change pour guider l'utilisateur dans le lancement d'un programme.

Il existe quatre (4) types de tarif de la sècheuse :

Tarif de vente fixe

Un paramétrage de la sècheuse pour un fonctionnement en programme fixe peut accepter uniquement les durées supplémentaires accumulées par paliers égaux à la durée d'un programme de séchage complet. Un maximum de 99 minutes peut être acheté ; aucun crédit supplémentaire n'est accordé pour les pièces insérées lorsque 99 minutes est affiché.

Tarif par accumulation

Si le prix est défini sur une pièce 1, alors le tarif par accumulation est en vigueur. La durée du programme peut être augmentée avec une pièce à la fois (modèles PD) jusqu'à une durée maximale de 99 minutes.

Programme fixe avec tarif d'appoint

Une sècheuse réglée pour proposer une fonctionnalité "Top Off" (appoint) permet d'ajouter une durée à un programme de séchage existant par paliers égaux au nombre de minutes de durée de séchage par pièce de 0,25 \$, jusqu'à 99 minutes, quel que soit le coût nécessaire pour mettre en marche la sècheuse. Aucun crédit n'est accordé pour les pièces insérées ou les apports par carte de débit lorsque l'affichage indique 99 minutes.

Modèles PR : En mode débit amélioré, le prix d'appoint peut être réglé indépendamment (voir VALEUR DE LA PIÈCE 2), et la durée de l'appoint est calculé en fonction de l'équation suivante :

$$\text{Durée de l'appoint} = \frac{\text{prix de l'appoint}}{\text{prix du programme complet}} \times \text{durée du programme complet}$$

La compensation par incréments en centièmes ne s'applique pas aux achats d'appoint.

PROGRAMMES GRATUITS – Cette fonction est établie en réglant le prix du programme sur zéro. Dans ce cas, "SELECT CYCLE" (sélectionner programme) s'affiche à la place du prix du programme. Tout programme commencé comme programme gratuit prend fin automatiquement lors de l'ouverture de la porte.

COMPATIBLE CARTE DE DÉBIT – Cette laveuse/sècheuse est compatible pour avec les lecteurs de carte de débit. Elle accepte divers systèmes de cartes de débit, mais est livré SANS lecteur de carte de débit. Consulter le fabricant du lecteur de carte de débit pour une installation correcte avec la laveuse/sècheuse. Dans les modèles convertis en un système à carte de débit de 1e génération, les impulsions de débit représentent l'équivalent d'une pièce (pièce 1).

Procédures de paramétrage des commandes

IMPORTANT : Lire toutes les instructions avant la mise en marche.

Modèles PD/PR : Introduire la clé de sélection de service et la tourner dans le sens antihoraire.

Modèles PR : Une fois le lecteur de carte de débit de 2e génération installé (conformément aux instructions du fabricant du lecteur), on peut changer le mode de paramétrage seulement en insérant une carte de paramétrage (fournie par le fabricant du lecteur) dans la fente d'insertion de carte. L'insertion et la rotation de la clé du contacteur de service accéderont seulement au mode de service.

La laveuse/sècheuse est maintenant au mode de paramétrage. Les boutons de réglage du type de tissu en bas et la partie inférieure de l'affichage servent à paramétrer les commandes numériques de la laveuse. Les trois boutons de réglage du type de tissu en haut et la partie supérieure de l'affichage servent à paramétrer les commandes de la sècheuse.

L'affichage peut contenir 4 chiffres et/ou lettres et un point décimal sur chacune de ses portions supérieure et inférieure. Il indique les codes de paramétrage et les valeurs correspondantes pour la programmation de la laveuse/sècheuse.

Utilisation des boutons pour la programmation des commandes

1. Le bouton inférieur gauche (PERM. PRESS, pressage permanent) sert à régler les valeurs associées aux codes de paramétrage de la laveuse ; le bouton supérieur gauche (WHITES & COLORS, blanc et couleur) concerne la sècheuse. En appuyant sur le bouton, la valeur change par paliers. Un réglage rapide possible en maintenant le bouton enfoncé.
2. Le bouton inférieur central (DELICATES AND KNITS, articles délicats et tricots) fait défiler les codes de paramétrage. En appuyant sur le bouton, la laveuse et la sècheuse avancent au code de paramétrage suivant. Certains codes de paramétrage sont propres à la laveuse ou à la sècheuse et ne sont pas affichés sur les deux portions laveuse et sècheuse de l'affichage. Maintenir le bouton inférieur central (DELICATES AND KNITS, articles délicats et tricots) enfoncé pour faire défiler automatiquement les codes de paramétrage à une vitesse supérieure à 1 par seconde.
3. Le bouton inférieur droit (QUICK CYCLE, programme rapide) sert à sélectionner ou désélectionner les options de la laveuse : le bouton supérieur droit (DELICATES, articles délicats) sert à sélectionner ou désélectionner les options de la sècheuse.

INSTRUCTIONS DE RÉGLAGE DU TABLEAU DE COMMANDE ÉLECTRONIQUE

Paramétrage en début d'exploitation

Les laveuses/sécheuses sont préréglées en usine et ne nécessitent aucune programmation. Toutefois, pour modifier les paramètres, suivre le guide "Codes de paramétrage" à la page suivante.

Le premier code affiché dans chaque segment est la configuration à l'usine pour les modèles PD; la configuration est la même pour les modèles PR, à moins qu'une fois spécifique.

Le code de paramétrage est indiqué par un ou deux caractères à gauche. La valeur du code de paramétrage est indiquée par deux ou trois caractères à droite.

Code de paramétrage

Code	Explication
6 07 PRIX DU PROGRAMME NORMAL (LAVEUSE)	
6 07	Représente le nombre de pièces de 0,25 \$ (pièce 1) pour la mise en marche de la laveuse ; réglable de 0 à 39 (voir VALEUR DE LA PIÈCE 1). Avancer de 0 à 39 en appuyant sur le bouton inférieur gauche (PERM. PRESS, pressage permanent). Valeur par défaut définie en usine sur 7 pièces de 0,25 \$ = 1,75 \$.
6 00	MODÈLES PR UNIQUEMENT : Valeur par défaut définie en usine sur 6 00, ou 0 pièce. <ul style="list-style-type: none"> Appuyer une fois sur le bouton inférieur central (DELICATES AND KNITS, articles délicats et tricots) pour passer au code suivant.
606 PRIX DU PROGRAMME NORMAL (SÉCHEUSE)	
606	Représente le nombre de pièces de 0,25 \$ (pièce 1) nécessaires pour mettre en marche la sécheuse; réglable de 0 à 39 (voir VALEUR DE LA PIÈCE 1). Avancer de 0 à 39 en appuyant sur le bouton supérieur gauche (WHITES & COLORS, blanc et couleur). Valeur par défaut définie en usine sur 6 pièces de 0,25 \$ = 1,50 \$.
600	MODÈLES PR : Valeur par défaut définie en usine sur 6 00, ou 0 pièce de 0,25 \$. <ul style="list-style-type: none"> Appuyer une fois sur le bouton inférieur central (DELICATES AND KNITS, articles délicats et tricots) pour passer au code suivant.
7 11 DURÉE DU LAVAGE (LAVEUSE)	
7 11	Ce code correspond au nombre de minutes du programme WASH (lavage). La laveuse est livrée avec le préréglage d'usine sur 11 minutes. Choisir entre 9 et 17 minutes en appuyant sur le bouton inférieur gauche (PERM. PRESS, pressage permanent). <ul style="list-style-type: none"> Appuyer une fois sur le bouton inférieur central (DELICATES AND KNITS, articles délicats et tricots) pour passer au code suivant.

Code	Explication
705 DURÉE DE SÉCHAGE NORMAL (SÉCHEUSE)	
705	MODÈLES PD : Représente le nombre de minutes par pièce de 0,25 \$ (pièce 1). Le réglage par défaut en usine est de 5 minutes par pièce. Par exemple : 6 pièces de 0,25 \$ x 5 minutes = 30 minutes. En appuyant sur le bouton supérieur gauche (WHITES & COLORS, blanc et couleur), régler la valeur entre 1 et 99 minutes.
745	MODÈLES PR : Représente la durée du programme gratuit. Par exemple : "7 45" = 45 minutes. <ul style="list-style-type: none"> Appuyer une fois sur le bouton inférieur central (DELICATES AND KNITS, articles délicats et tricots) pour passer au code suivant.
8 00 OPTION DE RINÇAGE SUPPLÉMENTAIRE (LAVEUSE)	
Cette option est soit non sélectionnée ("00"), soit sélectionnée ("ar").	
8 00	Non sélectionnée : "00."
8 Ar	Sélectionnée : "ar." Ne peut être combinée avec l'option Super Cycle rinse (rinçage du programme amélioré) <ul style="list-style-type: none"> Appuyer une fois sur le bouton inférieur droit (QUICK CYCLE, programme rapide) pour changer cette sélection. Appuyer une fois sur le bouton inférieur central (DELICATES AND KNITS, articles délicats et tricots) pour passer au code suivant.
800 TYPE DE TARIF DE LA SÉCHEUSE (SÉCHEUSE)	
800	Programme fixe avec appoint. Pour une description détaillée, consulter les "Informations générales d'utilisation de la laveuse/sécheuse".
8FC	MODÈLES PR UNIQUEMENT : Valeur par défaut définie en usine sur FC (programme fixe). Pour une description détaillée, consulter les "Informations générales d'utilisation de la laveuse/sécheuse". Appuyer sur le bouton supérieur droit (DELICATES, articles délicats) pour changer cette valeur. <ul style="list-style-type: none"> Appuyer une fois sur le bouton inférieur central (DELICATES AND KNITS, articles délicats et tricots) pour passer au code suivant.
9 00 OPTION DE COMPTAGE DES PROGRAMMES	
Cette option est soit non sélectionnée ("00"), soit sélectionnée ("0C").	
9 00	Non sélectionnée : "00."
9 0C	Sélectionnée : "0C" ; ne peut pas être désélectionnée. <ul style="list-style-type: none"> Appuyer sur le bouton inférieur droit (QUICK CYCLE, programme rapide) 3 fois de suite pour sélectionner "0C". Une fois l'option "0C" sélectionnée, elle est bloquée à cette valeur. Appuyer une fois sur le bouton inférieur central (DELICATES AND KNITS, articles délicats et tricots) pour passer au code suivant.

INSTRUCTIONS DE RÉGLAGE DU TABLEAU DE COMMANDE ÉLECTRONIQUE

Si le compteur de programmes (9 0C) est sélectionné, le calcul du total est le suivant :

1 00	CENTAINES de programmes	1 <u>02</u> = 200
2 00	Programmes UNITAIRES	2 <u>25</u> = 25
NOMBRE TOTAL =		225

Affichage seulement : l'effacement n'est pas possible.

- Appuyer une fois sur le bouton inférieur central (DELICATES AND KNITS, articles délicats et tricots) pour passer au code suivant.

Code	Explication
1. 00	OPTION DE COMPTAGE DE MONNAIE Cette option est soit non sélectionnée ("00"), soit sélectionnée ("0C").
1. 00	Non sélectionnée : "00"
1. 0C	Sélectionnée : "0C" <ul style="list-style-type: none"> • Appuyer sur le bouton inférieur droit (QUICK CYCLE, programme rapide) 3 fois de suite pour sélectionner "0C", puis 3 fois de suite pour désélectionner l'option (non sélectionnée : "00"). Le compteur se remet à zéro en passant de l'option "OFF" à l'option "ON."
1. C0	Sélectionnée : "C0" ; ne peut pas être désélectionnée. <ul style="list-style-type: none"> • Pour sélectionner "C0" et bloquer l'option sur cette valeur, sélectionner d'abord "0C," et en moins de 2 secondes, appuyer deux fois sur le bouton inférieur central (DELICATES AND KNITS, articles délicats et tricots) et une fois sur le bouton inférieur gauche (PERM. PRESS, pressage permanent), puis quitter le mode de paramétrage. • Appuyer une fois sur le bouton inférieur central (DELICATES AND KNITS, articles délicats et tricots) pour passer au code suivant.
2. 00	OPTIONS DE TARIF SPÉCIAL Cette option est soit non sélectionnée ("00"), soit sélectionnée ("SP").
2. 00	Non sélectionnée ("00"), et le code suivant sera A.00.
2. SP	Sélectionnée : "SP" <ul style="list-style-type: none"> • Appuyer une fois sur le bouton inférieur droit (QUICK CYCLE, programme rapide) pour changer cette sélection.

Si l'option de tarif spécial est sélectionnée, les codes "3.XX" à "9.XX" sont accessibles.

- Appuyer une fois sur le bouton inférieur central (DELICATES AND KNITS, articles délicats et tricots) pour passer au code suivant.

Si le compteur de monnaie (1.0C ou 1.C0) est sélectionné, le calcul du total est le suivant :

3 00	CENTAINES de dollars	3 <u>01</u> = \$100.00
4 00	Dollars UNITAIRES	4 <u>68</u> = \$ 68.00
5 00	Nombre de CENTS	5 <u>75</u> = \$ 00.75

TOTAL = \$168.75

OPTIONS 3.XX – 9.XX À UTILISER EN CAS DE SÉLECTION DE TARIF SPÉCIAL

Code	Explication
3. 07	PRIX DU PROGRAMME SPÉCIAL (LAVEUSE)
3. 07	Représente le nombre de pièces de 0,25 \$ (pièce 1) pour la mise en marche de la laveuse ; réglable de 0 à 39 (voir VALEUR DE LA PIÈCE 1). <ul style="list-style-type: none"> • Avancer de 0 à 39 en appuyant sur le bouton inférieur gauche (PERM. PRESS, pressage permanent). Valeur par défaut définie en usine sur 7 pièces de 0,25 \$ = 1,75 \$
3. 00	MODÈLES PR UNIQUEMENT : Valeur par défaut définie en usine sur 0 pièce. <ul style="list-style-type: none"> • Appuyer une fois sur le bouton inférieur central (DELICATES AND KNITS, articles délicats et tricots) pour passer au code suivant.
3.06	PRIX DU PROGRAMME SPÉCIAL (SÈCHEUSE)
3.06	Représente le nombre de pièces de 0,25 \$ (pièce 1) pour mettre en marche la sècheuse ; réglable de 0 à 39 (voir VALEUR DE LA PIÈCE 1). <ul style="list-style-type: none"> • Avancer de 0 à 39 en appuyant sur le bouton supérieur gauche (WHITES & COLORS, blanc et couleur). Valeur par défaut définie en usine sur 6 pièces de 0,25 \$ = 1,50 \$.
3.00	PR MODÈLES : Valeur par défaut définie en usine sur 0 pièce. <ul style="list-style-type: none"> • Appuyer une fois sur le bouton inférieur central (DELICATES AND KNITS, articles délicats et tricots) pour passer au code suivant.
4.05	DURÉE DU SÉCHAGE SPÉCIAL (SÈCHEUSE)
4.05	MODÈLES PD : Représente le nombre de minutes par pièce de 0,25 \$ (pièce 1). <ul style="list-style-type: none"> • Le réglage par défaut en usine est de 5 minutes par pièce. Par exemple : 6 pièces de 0,25 \$ x 5 minutes = 30 minutes. • En appuyant sur le bouton supérieur gauche (WHITES & COLORS, blanc et couleur), régler la valeur entre 1 et 99 minutes.
4.45	MODÈLES PR : Représente la durée du programme fixe en minutes. Par exemple : "4 45" = 45 minutes. <ul style="list-style-type: none"> • Appuyer une fois sur le bouton inférieur central (DELICATES AND KNITS, articles délicats et tricots) pour passer au code suivant.

INSTRUCTIONS DE RÉGLAGE DU TABLEAU DE COMMANDE ÉLECTRONIQUE

Code	Explication
5. 00	MINUTES DE L'HORLOGE
5. 00	Paramétrage des minutes de l'horloge ; choisir une valeur entre 0 et 59 minutes en appuyant sur le bouton inférieur gauche (PERM. PRESS, pressage permanent). <ul style="list-style-type: none"> • Appuyer une fois sur le bouton inférieur central (DELICATES AND KNITS, articles délicats et tricots) pour passer au code suivant.
6. 00	HEURES DE L'HORLOGE REMARQUE : Utilise le format sur 24 heures.
6. 00	Paramétrage des heures de l'horloge ; choisir une valeur entre 0 et 23 heures en appuyant sur le bouton inférieur gauche (PERM. PRESS, pressage permanent). <ul style="list-style-type: none"> • Appuyer une fois sur le bouton inférieur central (DELICATES AND KNITS, articles délicats et tricots) pour passer au code suivant.
7. 00	HEURE DE DÉBUT DU TARIF SPÉCIAL REMARQUE : Utilise le format sur 24 heures.
7. 00	Représente l'heure de début, entre 0 et 23 heures. <ul style="list-style-type: none"> • Sélectionner l'heure de début en appuyant sur le bouton inférieur gauche (PERM. PRESS, pressage permanent). • Appuyer une fois sur le bouton inférieur central (DELICATES AND KNITS, articles délicats et tricots) pour passer au code suivant.
8. 00	HEURE DE FIN DU TARIF SPÉCIAL REMARQUE : Utilise le format sur 24 heures.
8. 00	Représente l'heure de fin, entre 0 et 23 heures. <ul style="list-style-type: none"> • Sélectionner l'heure de fin en appuyant sur le bouton inférieur gauche (PERM. PRESS, pressage permanent). • Appuyer une fois sur le bouton inférieur central (DELICATES AND KNITS, articles délicats et tricots) pour passer au code suivant.

Code	Explication
9. 10	JOUR À TARIF SPÉCIAL
9. 10	Représente le jour de la semaine et indique si un tarif spécial est sélectionné pour ce jour. Un nombre suivi de "0" indique l'absence de sélection pour ce jour particulier (9.10). Un nombre suivi de "S" indique une sélection pour ce jour particulier (9.1S). Pour changer la valeur de "0" et "S," utiliser le bouton inférieur droit (QUICK CYCLE). Les jours de la semaine (1-7) sont sélectionnés en appuyant sur le bouton inférieur gauche (PERM. PRESS, pressage permanent).

En quittant le code de paramétrage "9," l'affichage doit indiquer le jour actuel de la semaine :

AFFICHAGE	JOUR DE LA SEMAINE	CODE (sélectionné)
10	Jour 1=Dimanche	1S
20	Jour 2=Lundi	2S
30	Jour 3=Mardi	3S
40	Jour 4=Mercredi	4S
50	Jour 5=Jeudi	5S
60	Jour 6=Vendredi	6S
70	Jour 7=Samédi	7S

- Appuyer une fois sur le bouton inférieur central (DELICATES AND KNITS, articles délicats et tricots) pour passer au code suivant.

A. 00	OPTION D'AFFICHAGE DU COFFRE Cette option est soit non sélectionnée ("00"), soit sélectionnée ("SC").
A. 00	Non sélectionnée : "00"
A. SC	Sélectionnée : "SC" <ul style="list-style-type: none"> • Appuyer une fois sur le bouton inférieur droit (QUICK CYCLE, programme rapide) pour changer cette sélection. Lorsque cette option est sélectionnée, le compteur de monnaie et/ou de programmes peut être affiché (si les options de compteur correspondantes sont sélectionnées) lorsque la boîte à monnaie est retirée. • Appuyer une fois sur le bouton inférieur central (DELICATES AND KNITS, articles délicats et tricots) pour passer au code suivant.

INSTRUCTIONS DE RÉGLAGE DU TABLEAU DE COMMANDE ÉLECTRONIQUE

Code	Explication	Code	Explication
b. 05	VALEUR DE LA PIÈCE 1	H. 01	PRIX DU PASSAGE AU PROGRAMME AMÉLIORÉ (LAVEUSE) (Non affiché si le tarif de programme amélioré n'est pas activé.)
b. 05	Représente la valeur de la pièce 1 en nombre de pièces de 0,05 \$: 05 = 0,25 \$. <ul style="list-style-type: none"> En appuyant sur le bouton inférieur gauche (PERM. PRESS, pressage permanent), sélectionner entre 1 et 199 pièces de 0,05 \$. Appuyer une fois sur le bouton inférieur central (DELICATES AND KNITS, articles délicats et tricots) pour passer au code suivant. 	H. 01	Représente le nombre de pièces 1 nécessaires pour passer d'un programme normal à un programme amélioré. <ul style="list-style-type: none"> Avancer de 0 à 39 en appuyant sur le bouton inférieur gauche (PERM. PRESS, pressage permanent). Appuyer une fois sur le bouton inférieur central (DELICATES AND KNITS, articles délicats et tricots) pour passer au code suivant.
C. 20	VALEUR DE LA PIÈCE 2/VALEUR DE L'APPOINT DE LA SÉCHEUSE	h. 01	TYPE DE PROGRAMME AMÉLIORÉ (LAVEUSE) (Non affiché si le tarif de programme amélioré n'est pas activé.)
C. 20	Représente la valeur de la pièce 2 en nombre de pièces de 0,05 : 20 = \$1,00	h. 01	Représente l'option de passage au programme amélioré. <ul style="list-style-type: none"> Appuyer sur le bouton inférieur gauche (PERM. PRESS, pressage permanent) pour faire défiler les options d'amélioration de 1 à 3 comme suit : 01 – lavage prolongé, 3 minutes supplémentaires de culbute de lavage en plus de la durée de lavage programmée. 02 – rinçage supplémentaire pour tous les programmes. 03 – options 01 et 02 ensemble. Appuyer une fois sur le bouton inférieur central (DELICATES AND KNITS, articles délicats et tricots) pour passer au code suivant.
C. 05	MODÈLES PR : Valeur par défaut définie en usine sur 0,25 \$. Pour le modèle utilisant le mode débit amélioré, ce champ représente la valeur de l'appoint en pièces de 0,05 \$. <ul style="list-style-type: none"> En appuyant sur le bouton inférieur gauche (PERM. PRESS, pressage permanent), sélectionner entre 1 et 199 pièces de 0,05 \$. Appuyer une fois sur le bouton inférieur central (DELICATES AND KNITS, articles délicats et tricots) pour passer au code suivant. 	J. Cd	MODE DE PAIEMENT (OPTION DE PIÈCES/ DÉBIT)
E. 00	OPTIONS NOMBRE DE PIÈCES Cette option est soit non sélectionnée ("00"), soit sélectionnée ("AC"). Avec cette option, l'affichage client indique le nombre de pièces (pièce 1) à insérer plutôt que le montant en dollars et cents. Le nombre affiché change à mesure que les pièces sont insérées.	J. Cd	Modes pièces et carte de débit sélectionnés. Appuyer sur le bouton inférieur droit (QUICK CYCLE, programme rapide) 3 fois de suite pour changer cette sélection.
E. 00	Non sélectionnée : "00"	J. C_	Mode pièces sélectionné, mode carte de débit désactivé. Appuyer sur le bouton inférieur droit (QUICK CYCLE, programme rapide) 3 fois de suite pour changer cette sélection.
E. AC	Sélectionnée : "AC" <ul style="list-style-type: none"> Appuyer sur le bouton inférieur droit (QUICK CYCLE, programme rapide) 3 fois de suite pour changer cette sélection. Appuyer une fois sur le bouton inférieur central (DELICATES AND KNITS, articles délicats et tricots) pour passer au code suivant. 	J._d	Modèles PR : Valeur par défaut définie en usine sur J._d. Mode carte de débit sélectionné, mode pièces désactivé. Appuyer sur le bouton inférieur droit (QUICK CYCLE, programme rapide) 3 fois de suite pour changer cette sélection.
F. 00	OPTION DE TARIF AMÉLIORÉ (LAVEUSE)	J. Ed	L'option débit amélioré est automatiquement sélectionnée lorsqu'un lecteur de cartes de 2e génération est installé dans la laveuse/sécheuse. L'option Ed ne peut pas être sélectionnée ou désactivée manuellement. <ul style="list-style-type: none"> Appuyer une fois sur le bouton inférieur central (DELICATES AND KNITS, articles délicats et tricots) pour passer au code suivant.
F. 00	Non sélectionnée : "00"		
F. CP	Tarif dépendant du programme activé. Cette option permet de configurer plusieurs tarifs pour les programmes de lavage avec eau froide, eau tiède et eau chaude.		
F. SU	Tarif programme amélioré activé. Cette option permet aux clients de passer au programme supérieur en insérant de la monnaie supplémentaire. Les codes de paramétrage "H." et "h." sont affichés uniquement lorsque cette option est activée. <ul style="list-style-type: none"> Appuyer sur le bouton inférieur droit (QUICK CYCLE, programme rapide) pour changer cette sélection. Appuyer une fois sur le bouton inférieur central (DELICATES AND KNITS, articles délicats et tricots) pour passer au code suivant. 		

INSTRUCTIONS DE RÉGLAGE DU TABLEAU DE COMMANDE ÉLECTRONIQUE

Code	Explication
L. 00	OPTION DE SUPPRESSION DU PRIX Cette option indique sur l'afficheur client "ADD" (introduire) ou "AVAILABLE" (disponible) au lieu du montant à ajouter (utilisé principalement avec les installations à carte de débit).
L. 00	Non sélectionnée : "00"
L. PS	Suppression de prix sélectionnée : "PS" <ul style="list-style-type: none"> Appuyer une fois sur le bouton inférieur droit (QUICK CYCLE, programme rapide) pour changer cette sélection. Appuyer une fois sur le bouton inférieur central (DELICATES AND KNITS, articles délicats et tricots) pour passer au code suivant.
n. CE	OPTION D'ANNULATION D'AVOIR Lorsque cette option est sélectionnée, l'argent mémorisé en avoir pendant 30 minutes sans ajout supplémentaire ou activités de programme est effacé.
n. 00	Non sélectionnée : "00"
n. CE	Sélectionnée : "CE" <ul style="list-style-type: none"> Appuyer une fois sur le bouton inférieur droit (QUICK CYCLE, programme rapide) pour changer cette sélection. Appuyer une fois sur le bouton inférieur central (DELICATES AND KNITS, articles délicats et tricots) pour passer au code suivant.
r. 800	VITESSE D'ESSORAGE MAXIMALE (LAVEUSE)
r. 800	Les vitesses d'essorage suivantes peuvent être sélectionnées : 600 t/min, 750 t/min, 800 t/min, 1000 (affiché 999) t/min. <ul style="list-style-type: none"> Pour passer d'une vitesse le suivant, appuyer sur le bouton inférieur gauche (PERM. PRESS, pressage permanent). Valeur par défaut d'usine réglée sur 800 t/min. Appuyer une fois sur le bouton inférieur central (DELICATES AND KNITS, articles délicats et tricots) pour passer au code suivant.
U. 00	COMPENSATION PAR INCRÉMENTS EN CENTIÈMES (LAVEUSE)
U. 00	Représente la compensation du prix par incréments en centièmes utilisée dans les modèles PR de 2e génération (débit amélioré). Choisir entre 0 et 4 centièmes en appuyant sur le bouton inférieur gauche (PERM. PRESS, pressage permanent). <ul style="list-style-type: none"> Appuyer une fois sur le bouton inférieur central (DELICATES AND KNITS, articles délicats et tricots) pour passer au code suivant.

Code	Explication
U.00	COMPENSATION PAR INCRÉMENTS EN CENTIÈMES (SÈCHEUSE)
U.00	Représente la compensation du prix par incréments en centièmes utilisée dans les modèles PR de 2e génération (débit amélioré). Choisir entre 0 et 4 centièmes en appuyant sur le bouton supérieur gauche (WHITES & COLORS, blanc et couleur). <ul style="list-style-type: none"> Appuyer une fois sur le bouton inférieur central (DELICATES AND KNITS, articles délicats et tricots) pour passer au code suivant.
A1. 00	DURÉE DU PRÉLAVAGE (LAVEUSE)
A1. 00	Ce code correspond au nombre de minutes du programme PREWASH (prélavage). Choisir 00 pour désactiver le prélavage ou sélectionner entre 2 et 7 minutes en appuyant sur le bouton inférieur gauche (PERM. PRESS, pressage permanent). <ul style="list-style-type: none"> Appuyer une fois sur le bouton inférieur central (DELICATES AND KNITS, articles délicats et tricots) pour passer au code suivant.
A2. 03	DURÉE DE L'ESSORAGE FINAL (LAVEUSE)
A2. 03	Ce code correspond au nombre de minutes de l'essorage final à grande vitesse. Choisir entre 03 et 08 minutes en appuyant sur le bouton inférieur gauche (PERM. PRESS, pressage permanent). <ul style="list-style-type: none"> Appuyer une fois sur le bouton inférieur central (DELICATES AND KNITS, articles délicats et tricots) pour passer au code suivant.

FIN des OPÉRATIONS DE PARAMÉTRAGE

QUITTER LE MODE DE PARAMÉTRAGE

Modèles PD : Tourner la clé du contacteur de service dans le sens horaire et la retirer.

Modèles PR : Retirer la carte de paramétrage manuel.

GARANTIE DE LA LAVEUSE ET SÈCHEUSE COMMERCIALES À CHARGE UNIQUE OU MULTI-CHARGE PAYANTES

GARANTIE LIMITÉE SUR LES PIÈCES

Pendant cinq ans à compter de la date d'achat, lorsque cet appareil ménager commercial est installé, utilisé et entretenu conformément aux instructions jointes à ou fournies avec le produit, Maytag marque de Whirlpool Corporation (ci-après désignée "Maytag") paiera pour les pièces de rechange spécifiées par l'usine ou les pièces de rechange d'équipement originales du fabricant pour corriger les vices de matériaux ou de fabrication. Une preuve d'achat originale est requise pour bénéficier du service de garantie.

MAYTAG NE PAIERA PAS POUR

1. Tous les autres frais, notamment la main-d'œuvre, le transport ou les taxes douanières.
 2. Les visites de service pour rectifier l'installation de l'appareil ménager commercial, montrer à l'utilisateur comment utiliser l'appareil, remplacer ou réparer des fusibles, ou rectifier le câblage ou la plomberie extérieure.
 3. Les réparations lorsque l'appareil est utilisé autrement que pour une utilisation commerciale ordinaire.
 4. Les dommages imputables à une mauvaise manipulation du produit pendant une livraison, un vol, un accident, une modification, un usage impropre, un abus, un incendie, une inondation, des actes de Dieu, une mauvaise installation, une installation non conforme aux codes locaux d'électricité et de plomberie, ou l'utilisation de produits non approuvés par Maytag.
 5. Le ramassage et la livraison. Cet appareil commercial est conçu pour être réparé sur place.
 6. Les réparations aux pièces ou systèmes résultant d'une modification non autorisée faite à l'appareil commercial.
 7. La dépose et la réinstallation de votre appareil commercial si celui-ci est installé dans un endroit inaccessible ou n'est pas installé conformément aux instructions d'installation fournies.
 8. Les dommages chimiques ne sont pas couverts par la garantie.
 9. Les modifications du bâtiment, de la pièce ou de l'emplacement nécessaires pour faire fonctionner l'appareil commercial correctement.
 10. Réparations effectuées par un technicien de réparation agréé employé par une autre compagnie que Whirlpool.
-

CLAUSE D'EXONÉRATION DE RESPONSABILITÉ AU TITRE DES GARANTIES IMPLICITES; LIMITATION DES RECOURS

LE SEUL ET EXCLUSIF RECOURS DU CLIENT DANS LE CADRE DE LA PRÉSENTE GARANTIE LIMITÉE CONSISTE EN LA RÉPARATION OU LE REMPLACEMENT DU PRODUIT PRÉVUS CI-DESSUS. LES GARANTIES IMPLICITES, Y COMPRIS LES GARANTIES APPLICABLES DE QUALITÉ MARCHANDE ET D'APTITUDE À UN USAGE PARTICULIER, SONT LIMITÉES À UN AN OU À LA PLUS COURTE PÉRIODE AUTORISÉE PAR LA LOI. WHIRLPOOL N'ASSUME AUCUNE RESPONSABILITÉ POUR LES DOMMAGES FORTUITS OU INDIRECTS. CERTAINES JURIDICTIONS NE PERMETTENT PAS L'EXCLUSION OU LA LIMITATION DES DOMMAGES FORTUITS OU INDIRECTS, OU LES LIMITATIONS DE LA DURÉE DES GARANTIES IMPLICITES DE QUALITÉ MARCHANDE OU D'APTITUDE À UN USAGE PARTICULIER, DE SORTE QUE CES EXCLUSIONS OU LIMITATIONS PEUVENT NE PAS S'APPLIQUER DANS VOTRE CAS. CETTE GARANTIE VOUS CONFÈRE DES DROITS JURIDIQUES SPÉCIFIQUES ET VOUS POUVEZ ÉGALEMENT JOUIR D'AUTRES DROITS QUI PEUVENT VARIER D'UNE JURIDICTION À UNE AUTRE.

Si vous avez besoin de service, veuillez communiquer avec votre distributeur d'ensemble de buanderie Maytag® autorisé. Pour localiser votre distributeur d'ensemble de buanderie Maytag® autorisé, ou pour des demandes de renseignements sur Internet, visitez le site Web www.MaytagCommercialLaundry.com.

3/10

Vous pouvez écrire à l'adresse suivante :

Maytag® Commercial Laundry Service Department
2000 M-63 North
Benton Harbor, Michigan 49022 USA

SEGURIDAD DE LA LAVADORA/SECADORA APILADAS

Su seguridad y la seguridad de los demás es muy importante.

Hemos incluido muchos mensajes importantes de seguridad en este manual y en su electrodoméstico. Lea y obedezca siempre todos los mensajes de seguridad.



Este es el símbolo de advertencia de seguridad.

Este símbolo le llama la atención sobre peligros potenciales que pueden ocasionar la muerte o una lesión a usted y a los demás.

Todos los mensajes de seguridad irán a continuación del símbolo de advertencia de seguridad y de la palabra "PELIGRO" o "ADVERTENCIA". Estas palabras significan:

⚠ PELIGRO

Si no sigue las instrucciones de inmediato, usted puede morir o sufrir una lesión grave.

⚠ ADVERTENCIA

Si no sigue las instrucciones, usted puede morir o sufrir una lesión grave.

Todos los mensajes de seguridad le dirán el peligro potencial, le dirán cómo reducir las posibilidades de sufrir una lesión y lo que puede suceder si no se siguen las instrucciones.



ADVERTENCIA - "Riesgo de incendio"

- La instalación de la secadora de ropa debe estar a cargo de un instalador competente.
- Instale la secadora de ropa según las instrucciones del fabricante y los códigos locales.
- No instale una secadora de ropa con materiales de ventilación de plástico flexible o un conducto de metal flexible (de hoja de metal). Si se usa un conducto de metal flexible, éste deberá ser de un tipo específico, que esté identificado por el fabricante de electrodomésticos como apto para ser usado con secadoras de ropa. Es sabido que los materiales de ventilación flexible se derrumban, se aplastan con facilidad y atrapan pelusa. Estas condiciones obstruirán el flujo de aire de la secadora de ropa y aumentarán el riesgo de incendio.
- Para reducir el riesgo de lesiones severas o la muerte, siga todas las instrucciones de instalación.
- Guarde estas instrucciones.

- Se recomienda que el propietario coloque las instrucciones para el uso del cliente en un lugar a la vista, en caso de que el cliente sienta olor a gas. Esta información deberá obtenerse con su proveedor de gas.
- Coloque a la vista la siguiente advertencia.

PARA SU SEGURIDAD

No almacene ni use gasolina u otros vapores y líquidos inflamables cerca de éste o cualquier otro electrodoméstico.

SEGURIDAD DE LA LAVADORA/SECADORA APILADAS

ADVERTENCIA: Para su seguridad, la información en este manual debe ser observada para minimizar el riesgo de incendio o explosión, o para prevenir daños a propiedades, heridas o la muerte.

- No almacene o use gasolina u otros líquidos y vapores inflamables cerca de éste u otro aparato electrodoméstico.
- **PASOS QUE USTED DEBE SEGUIR SI HUELE A GAS:**
 - No trate de encender ningún aparato electrodoméstico.
 - No toque ningún interruptor eléctrico; no use ningún teléfono en su edificio.
 - Desaloje a todos los ocupantes del cuarto, edificio o área.
 - Llame inmediatamente a su proveedor de gas desde el teléfono de un vecino. Siga las instrucciones de su proveedor de gas.
 - Si usted no puede comunicarse con su proveedor de gas, llame al departamento de bomberos.
- La instalación y el servicio deben ser efectuados por un instalador calificado, una agencia de servicio o por el proveedor de gas.

ADVERTENCIA: Las pérdidas de gas no siempre se pueden detectar por el olfato.

Los proveedores de gas recomiendan que usted use un detector de gas aprobado por UL (Laboratorio de normalización) o CSA (Asociación canadiense de seguridad).

Para obtener más información, póngase en contacto con su proveedor de gas.

Si se detecta una fuga de gas, siga las instrucciones de "Pasos que usted debe seguir si huele a gas".

En el estado de Massachusetts se aplican las siguientes instrucciones de instalación:

- Las instalaciones y reparaciones se deben efectuar por un contratista, plomero o gasista calificado o licenciado por el estado de Massachusetts.
- Si se usa una válvula de bola, debe ser un tipo de manigueta T.
- Si se usa un conector de gas flexible no debe exceder de 3 pies.

IMPORTANTE: La instalación de gas debe hacerse de acuerdo con los códigos locales, o si no los hay, con el Código Nacional de Gas Combustible (National Fuel Gas Code), ANSI Z223.1/NFPA 54.

La secadora debe estar conectada a tierra de acuerdo con los códigos locales, o si no los hay, con el Código Nacional de Electricidad (National Electrical Code), ANSI/NFPA 70.

SEGURIDAD DE LA LAVADORA/SECADORA APILADAS

INSTRUCCIONES IMPORTANTES DE SEGURIDAD

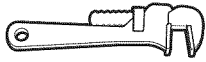
ADVERTENCIA: A fin de reducir el riesgo de incendio, descarga eléctrica o de daño a las personas que usen la lavadora/secadora, deben seguirse las precauciones básicas, incluidas las siguientes:

- Lea todas las instrucciones antes de usar la lavadora/secadora.
- No coloque los objetos expuestos a aceite para cocinar en su secadora. Los objetos expuestos a aceites para cocinar pueden contribuir a una reacción química que podría causar que la ropa se inflame.
- No lave o seque artículos que hayan sido previamente limpiados, lavados, remojados o humedecidos con gasolina, solventes de limpieza en seco, u otras sustancias inflamables o explosivas ya que éstas emanan vapores que podrían encenderse o causar una explosión.
- No agregue gasolina, solventes para lavar en seco, u otras sustancias inflamables o explosivas al agua del lavado. Estas sustancias emanan vapores que podrían encenderse o causar una explosión.
- No permita que los niños jueguen encima o dentro de la lavadora/secadora. Es necesario una supervisión cuidadosa de los niños cada vez que se use la lavadora/secadora cerca de ellos.
- Antes de poner la lavadora/secadora fuera de servicio o desecharla, quite las puertas a los compartimientos de la lavadora/secadora.
- No introduzca las manos en la lavadora/secadora cuando la tina, el agitador, o el tambor están en movimiento.
- No instale o almacene esta lavadora/secadora donde esté expuesta al agua o a la intemperie.
- No trate de jugar con los controles.
- Limpie el filtro de pelusa antes o después de cada carga de ropa.
- En ciertas condiciones, puede generarse gas hidrógeno en un sistema de agua caliente que no se haya usado por dos semanas o un período mayor. **EL GAS HIDRÓGENO ES EXPLOSIVO.** Si no se ha usado el agua caliente durante dicho período, antes de usar la lavadora, abra todos los grifos de agua caliente y deje que corra el agua por varios minutos. Esto liberará todo el gas hidrógeno que se haya acumulado. Debido a la inflamabilidad de dicho gas, no fume ni use una llama abierta durante este lapso.
- No repare o reemplace ninguna pieza de la lavadora/secadora ni trate de repararla a menos que esto se recomiende específicamente en el Manual de Uso y Cuidado o en instrucciones de reparación publicadas para el usuario que usted comprenda y sólo si cuenta con la experiencia necesaria para llevar a cabo dicha reparación.
- No utilice suavizante de telas o productos para eliminar la estática de prendas a menos que lo recomiende el fabricante del suavizante de telas o del producto en uso.
- No utilice calor para secar prendas que contengan hule espuma o materiales con textura de hule similar.
- Mantenga el área alrededor de la abertura de ventilación y las áreas adyacentes a esta abertura sin pelusa, polvo o suciedad.
- La parte interior de la máquina y el ducto de escape se deben limpiar periódicamente. Esta limpieza la debe llevar a cabo un reparador calificado.
- Consulte la sección "Requisitos eléctricos" del folleto de Instrucciones de instalación para ver las instrucciones de conexión a tierra.

GUARDE ESTAS INSTRUCCIONES

HERRAMIENTAS Y PIEZAS

Herramientas necesarias:



llave para tubos de 8" (203 mm) o 10" (254 mm)



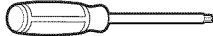
llave ajustable de 8" (203 mm) o 10" (254 mm) que se abra a 1" (25 mm)



destornillador de hoja plana



destornillador Phillips



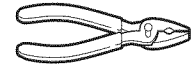
destornillador o broca de seguridad Torx[®]† T-20



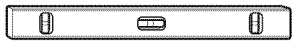
llave de cubo de cabeza hexagonal de 1" (25 mm)



llave de tubo de 5/16"



pinzas (que se abran a 1⁹/₁₆" [39 mm])



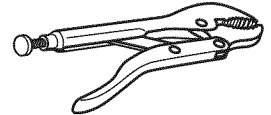
nivel



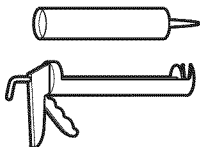
cuchillo para uso general



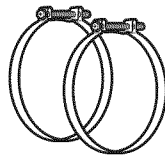
llave de tuercas de 1/4" (6 mm)



pinzas de traba



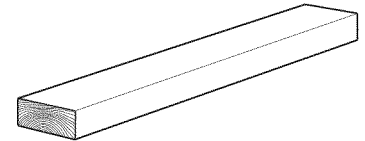
pistola y masilla para calafateo (para instalar el nuevo ducto de escape)



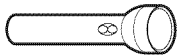
abrazaderas para ducto



compuesto para unión de tuberías que sea adecuado para el tipo de gas



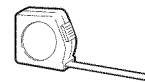
bloque de madera de 27" (686 mm)



linterna (opcional)



llaves de boca de 1/2" (13 mm) y 9/16" (14 mm)



regla o cinta para medir

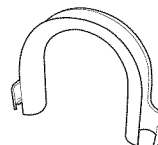
Piezas suministradas:



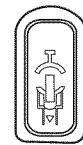
mangueras de entrada de agua (2)



arandelas de la manguera de entrada (4)



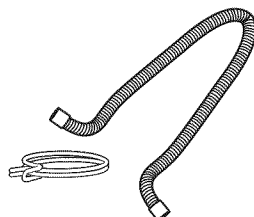
molde de la manguera en forma de "U"



tapón de orificio para perno de transporte (4)



fleje de atadura rebordeado



manguera de desagüe y abrazadera

PIEZAS Y ACCESORIOS ADICIONALES

Piezas adicionales

Su instalación puede requerir piezas adicionales. Si está interesado en adquirir una de las piezas aquí enlistadas, llame al número gratuito que se encuentra en la sección "Si necesita ayuda".

Si tiene	Necesitará adquirir
Una alcantarilla suspendida	Tina de desagüe estándar de 20 gal. (76 L) 39" (990 mm) de altura o lavadero utilitario, bomba de sumidero y conectores (disponible en tiendas locales de artículos de plomería)
Tubo vertical de 1" (25 mm)	Adaptador de tubo vertical de 2" (51 mm) de diámetro a 1" (25 mm) de diámetro, pieza número 3363920 Juego de conectores, pieza número 285835
Una manguera de desagüe muy corta	Manguera de desagüe de extensión, pieza número 285863 Juego de conectores, pieza número 285835
Desagüe obstruido por pelusa	Protector del desagüe, pieza número 367031 Juego de conectores, pieza número 285835
Sistema de desagüe por el piso	Desviación de sifón, pieza número 285834 Juego de conectores (x2), pieza número 285835 Manguera de desagüe de extensión, pieza número 285863
Grifos del agua fuera del alcance de las mangueras de llenado	2 mangueras de llenado de agua más largas: Manguera con doblez de 90° de 6 pies (1,8 m), pieza número 76314 10 pies (3,0 m), pieza número 350008

Accesorios

Realce su lavadora/secadora con estos accesorios de calidad superior.

Para ver más artículos de alta calidad o para hacer un pedido, llame al **1-800-901-2042**, o visítenos en **www.maytag.com/accessories**.

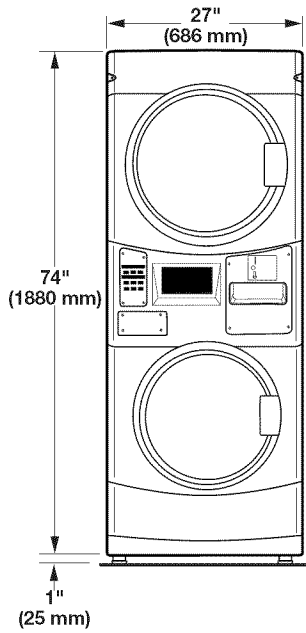
En Canadá, llame al: **1-800-807-6777** o visítenos en **www.whirlpoolparts.ca**.

Número de pieza	Accesorio
8212526	Bandeja de goteo para lavadora, encaja debajo de todo
31682	Limpiador multiuso para electrodomésticos
1903WH	Carro de almacenamiento para artículos de lavandería
279818	Juego de ventilación de 3 direcciones de la secadora
285834	Juego de desviación de sifón

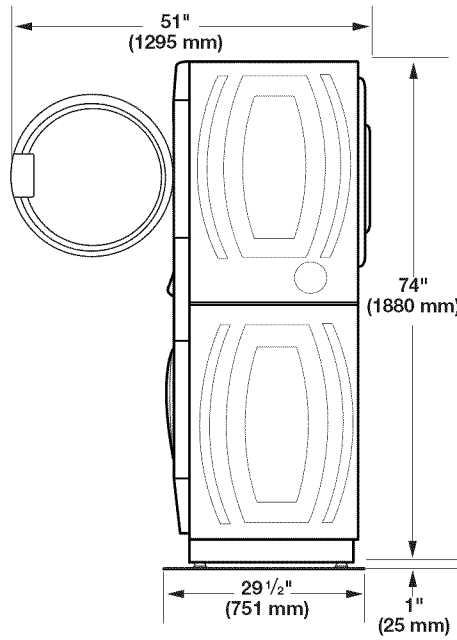
DIMENSIONES Y ESPACIOS LIBRES

Dimensiones

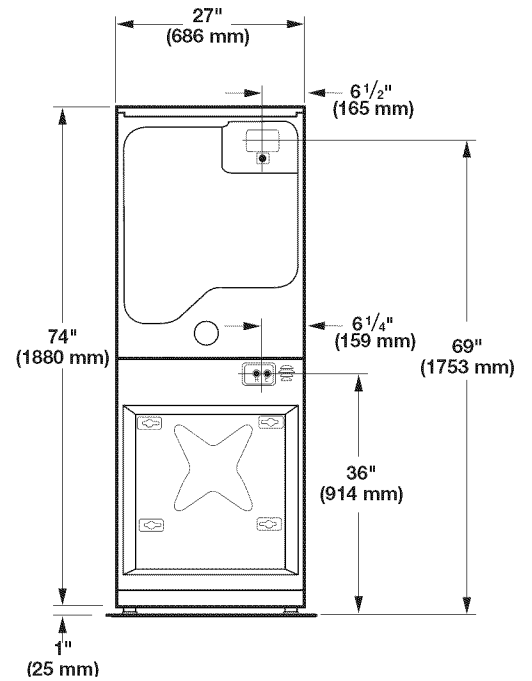
Vista frontal



Vista lateral

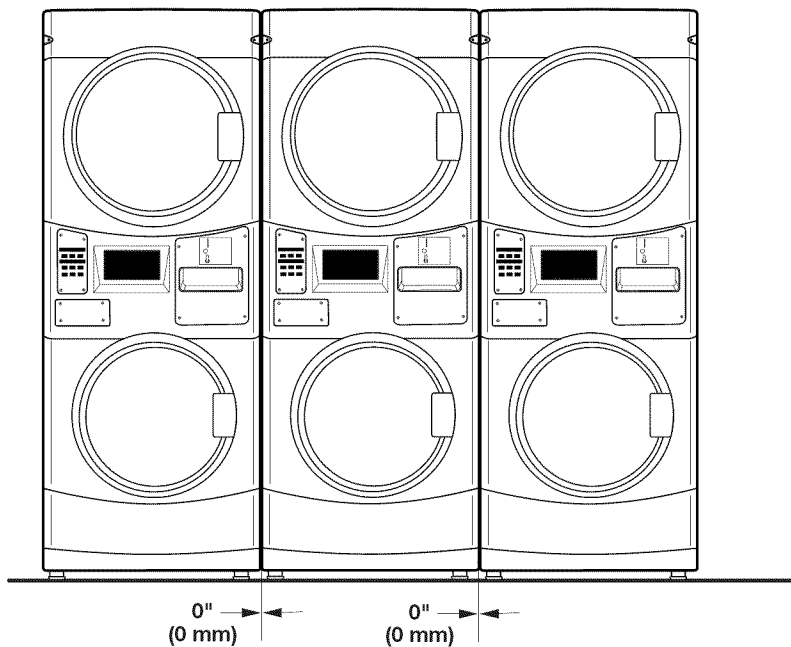


Vista posterior

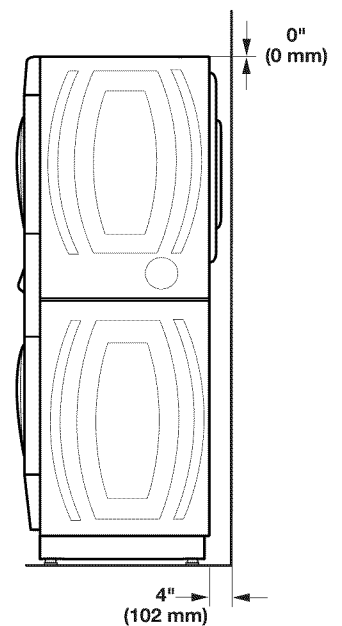


Espacios libres

Espacios libres laterales



Espacios libres en la parte posterior y superior



REQUISITOS DE INSTALACIÓN DE LA LAVADORA/ SECADORA A GAS APILADAS

Ubicación de la lavadora/secadora a gas apiladas

⚠ ADVERTENCIA



Peligro de Explosión

Mantenga los materiales y vapores inflamables, tales como la gasolina, alejados de la secadora.

No instale en un garage.

No seguir estas instrucciones puede ocasionar la muerte, explosión o incendio.

La selección de una ubicación apropiada para su lavadora/secadora mejora el rendimiento y reduce al mínimo el ruido y la posible "caminata" de la lavadora.

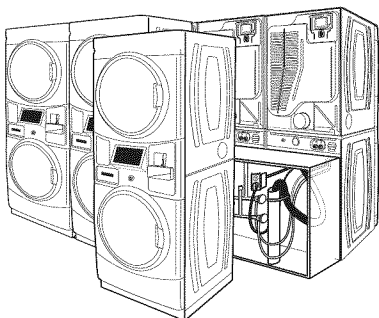
Su lavadora/secadora se puede instalar en un sótano, cuarto para lavar o un lugar empotrado. Vea "Sistema de desagüe".

Deberá tenerse en cuenta también los requisitos para la ubicación de otro electrodoméstico que le acompañe.

IMPORTANTE: No instale ni almacene esta lavadora/secadora donde estará expuesta a la intemperie. No almacene ni opere la lavadora/secadora en temperaturas de 32 °F (0 °C) o inferiores. Puede quedar un poco de agua en la lavadora y ésta puede ocasionar daños a bajas temperaturas. La instalación correcta es su responsabilidad.

Usted necesitará:

- Un calentador de agua fijado para suministrar el agua a la lavadora a una temperatura de 120 °F (49 °C).
- Un contacto eléctrico con conexión a tierra ubicado a una distancia de no más de 6 pies (1,8 m) del lugar donde el cable eléctrico está fijado a la parte posterior de la lavadora. Vea "Requisitos eléctricos".
- Grifos de agua caliente y de agua fría ubicados a una distancia de 4 pies (1,2 m) de las válvulas de llenado del agua caliente y agua fría y una presión de agua de 20–100 lb/pulg² (137,9–689,6 kPa).
- Un piso nivelado con un declive máximo de 1" (25 mm) debajo de la lavadora/secadora completa. No se recomienda instalar la lavadora/secadora sobre superficies blandas del piso, tales como alfombras o superficies con reverso de espuma.
- Un piso resistente y firme que soporte la lavadora/secadora con un peso total (del agua y de la carga) de 450 libras (204 kg).
- Un desagüe de piso debajo del tabique. Los tabiques divisorios prefabricados con contactos eléctricos, las líneas de entrada de agua y las instalaciones con desagües deben ser usados únicamente donde los códigos locales lo permitan.



Espacios libres de instalación para la lavadora/secadora a gas apiladas

- La ubicación debe ser lo suficientemente grande para permitir que las puertas de la lavadora y la secadora se abran completamente.
- Debe considerarse espacio adicional para facilitar la instalación y el servicio técnico. Las puertas se abren a más de 180°. La puerta de la lavadora no es reversible.
- Se podrían necesitar espacios libres adicionales para las molduras de la pared, de la puerta y del piso.
- Se recomienda un espacio adicional de 1" (25 mm) en todos los lados de la lavadora/secadora para reducir la transferencia de ruido.
- También se debe considerar espacio adicional para otro electrodoméstico que le acompañe.

Cuando instale uan secadora a gas:

IMPORTANTE: Observe todos los códigos y ordenanzas aplicables.

- Verifique los requisitos de los códigos: Algunos códigos limitan, o no permiten, la instalación de la secadora en garajes, clósets o en dormitorios. Póngase en contacto con el inspector de construcciones de su localidad.
- Asegúrese de que los bordes inferiores del armario, además de los lados de la parte posterior e inferior de la lavadora, estén libres de obstrucciones, para permitir el espacio adecuado de aberturas para la combustión de aire. Vea "Instrucciones para la instalación empotrada o en clóset" a continuación para los requisitos mínimos de espacio.

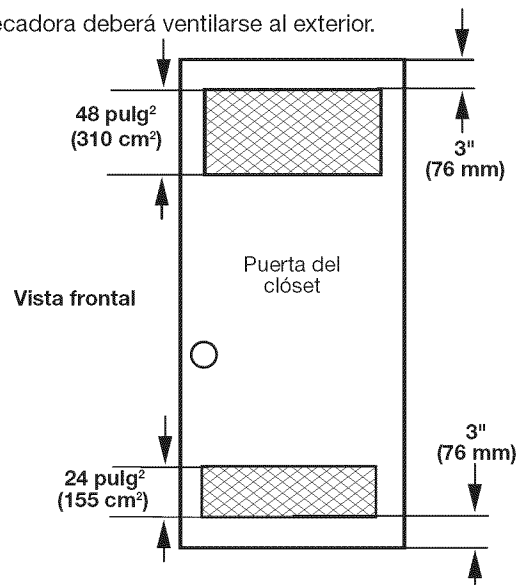
Instrucciones para la instalación empotrada o en clóset

Esta lavadora/secadora podrá instalarse en un área empotrada o en un clóset. Para las instalaciones en áreas empotradas y clósets, se pueden encontrar los espacios mínimos en la etiqueta de advertencia, en la parte posterior de la secadora o en la sección "Dimensiones y espacios libres".

El espacio de instalación es en centímetros (pulgadas) y es el mínimo permitido. Debe considerarse espacio adicional para facilitar la instalación, el servicio técnico y el cumplimiento de los códigos y ordenanzas locales.

Si se ha instalado la puerta del clóset, se requieren aberturas mínimas de ventilación sin obstrucciones en la parte superior e inferior de la puerta. Se aceptan puertas tipo persianas con aberturas de aire equivalentes.

La secadora deberá ventilarse al exterior.



REQUISITOS DE INSTALACIÓN DE LA LAVADORA/ SECADORA A GAS APILADAS

Requisitos eléctricos de la lavadora/secadora a gas apiladas

⚠ ADVERTENCIA



Peligro de Choque Eléctrico

Conecte a un contacto de pared de conexión a tierra de 3 terminales.

No quite la terminal de conexión a tierra.

No use un adaptador.

No use un cable eléctrico de extensión.

No seguir estas instrucciones puede ocasionar la muerte, incendio o choque eléctrico.

IMPORTANTE: La lavadora/secadora debe conectarse a tierra se acuerdo a los códigos y las ordenanzas locales o, en la ausencia de códigos locales, de acuerdo al National Electrical Code (Código Nacional Eléctrico) ANSI/NFPA 70, última edición, o el Canadian Electrical Code (Código Canadiense de Electricidad) CSA C22.1. Si los códigos lo permiten y se usa un cable con conexión a tierra separado, se recomienda que un instalador eléctrico calificado determine que la trayectoria de conexión a tierra sea adecuada.

Usted puede obtener una copia de las normas de los códigos arriba indicadas en:

National Fire Protection Association
One Batterymarch Park, Quincy, MA 02269
CSA International
8501 East Pleasant Valley Road
Cleveland, Ohio 44131-5575

- No conecte a tierra a un tubo de gas.
- No coloque un fusible en el circuito neutro o de puesta a tierra.
- Se necesita un circuito eléctrico de 120 voltios, 60 hertzios, CA solamente, de 15 ó 20 amperios y protegido con fusibles. También se recomienda usar un fusible retardador o un cortacircuitos. Asimismo se recomienda el uso de un circuito independiente que preste servicio únicamente a esta lavadora/secadora.
- Esta lavadora/secadora viene equipada con un cable eléctrico dotado de un enchufe de 3 terminales con conexión a tierra.
- Para reducir al mínimo los posibles choques eléctricos, el cable debe ser enchufado en un contacto apropiado de pared de 3 terminales, conectado a tierra de acuerdo con los códigos y normas locales. Si no hay disponible un contacto equivalente, es responsabilidad y obligación personal del cliente de tener un contacto apropiado con conexión a tierra instalado por un electricista calificado.
- Si los códigos lo permiten y se emplea un hilo de conexión a tierra separado, se recomienda que un electricista competente determine si la trayectoria de conexión a tierra es adecuada.
- Si no está seguro de que la conexión a tierra de la lavadora/secadora sea la adecuada, verifíquela con un electricista competente.

Conexión a tierra de la lavadora/secadora a gas apiladas

INSTRUCCIONES PARA LA CONEXIÓN A TIERRA

Para una lavadora conectada a tierra con cable eléctrico:

Esta lavadora debe conectarse a tierra. En caso de funcionamiento defectuoso o avería, la conexión a tierra reducirá el riesgo de choque eléctrico al proporcionar una vía de menor resistencia para la corriente eléctrica. Esta lavadora viene equipada con un cable eléctrico que tiene un conductor de conexión a tierra del equipo y un enchufe con conexión a tierra. El enchufe debe conectarse en un contacto de pared apropiado que haya sido debidamente instalado y conectado a tierra de conformidad con todos los códigos y ordenanzas locales.

ADVERTENCIA: La conexión incorrecta de la terminal de conexión a tierra del equipo puede ocasionar un riesgo de choque eléctrico. Consulte con un electricista o técnico en reparaciones calificado si tiene duda alguna en cuanto a la conexión a tierra correcta del electrodoméstico.

No modifique el enchufe provisto con el electrodoméstico. Si éste no encaja en el contacto de pared, pida a un electricista calificado que le instale un contacto de pared apropiado.

Para una lavadora con contacto eléctrico permanente:

Esta lavadora debe estar conectada a un sistema de cableado de metal permanente, conectado a tierra, o se debe tender un conducto para la conexión a tierra del equipo con los conductores de circuito y conectado a la terminal de tierra del equipo o al conductor de suministro del electrodoméstico.

REQUISITOS DE INSTALACIÓN DE LA LAVADORA/ SECADORA A GAS APILADAS

Requisitos eléctricos de la lavadora/ secadora a gas apiladas (cont.)

Conexión a tierra de la lavadora/secadora a gas apiladas (cont.)

INSTRUCCIONES PARA LA CONEXIÓN A TIERRA

- Para la conexión de una secadora mediante cable eléctrico conectado a tierra:
Esta secadora debe estar conectada a tierra. En el caso de funcionamiento defectuoso o avería, la conexión a tierra reducirá el riesgo de choque eléctrico al proporcionar una vía de menor resistencia para la corriente eléctrica. Esta secadora usa un cable que cuenta con un conductor para la conexión a tierra del equipo y un enchufe de conexión a tierra. El enchufe debe conectarse en un contacto apropiado, que esté debidamente instalado y conectado a tierra de acuerdo con todos los códigos y ordenanzas locales.
- Para la conexión permanente de una secadora:
Esta secadora debe estar conectada a un sistema de cableado de metal permanente, conectado a tierra, o se debe tender un conducto para la conexión a tierra del equipo con los conductores de circuito y conectado al terminal de tierra del equipo o al conductor de suministro de la secadora.

ADVERTENCIA: La conexión indebida del conductor para la conexión a tierra del equipo puede ocasionar un riesgo de choque eléctrico. Verifique con un electricista, representante o personal de servicio técnico calificado para asegurarse de que la conexión a tierra de la secadora sea apropiada. No modifique el enchufe que viene con el cable eléctrico. Si no encaja en el contacto, contrate un electricista calificado para que instale un contacto adecuado.

GUARDE ESTAS INSTRUCCIONES

Suministro de gas para la lavadora/secadora a gas apiladas

⚠ ADVERTENCIA



Peligro de Explosión

Use una línea de suministro de gas nueva con aprobación CSA Internacional.

Instale una válvula de cierre.

Apriete firmemente todas las conexiones de gas.

Si se conecta a un suministro de gas L.P., la presión no debe exceder una columna de agua de 330 mm (13 pulg) y debe ser verificada por una persona calificada.

Ejemplos de una persona calificada incluyen:
personal de servicio del sistema de calefacción con licencia,
personal autorizado de la compañía de gas, y
personal autorizado para dar servicio.

No seguir estas instrucciones puede ocasionar la muerte, explosión o incendio.

IMPORTANTE: Observe todos los códigos y ordenanzas aplicables.

Esta instalación debe hacerse de acuerdo con todos los códigos y ordenanzas locales. Si no hay códigos locales, la instalación deberá hacerse de acuerdo al Código nacional estadounidense (American National Standard), el Código Nacional de Gas Combustible (National Fuel Gas Code), ANSI Z223.1/NFPA 54 o CAN/CSA B149.

Usted puede obtener una copia de las normas de los códigos arriba indicadas en:

National Fire Protection Association
One Batterymarch Park, Quincy, MA 02269
CSA International
8501 East Pleasant Valley Road
Cleveland, Ohio 44131-5575

El diseño de esta lavadora/secadora ha sido certificado por CSA International para uso en altitudes que alcanzan los 10.000 pies (3.048 m) sobre el nivel del mar, en la categoría de B.T.U. indicada en la placa del número de modelo/serie. No se requieren ajustes de entrada del quemador cuando se usa la lavadora/secadora hasta esta altitud.

Si se instala a un nivel superior a los 10.000 pies (3.048 m) de altitud, se requiere una reducción de categoría de B.T.U. del cuatro por ciento (4 %) del quemador, que se muestra en la placa del número de modelo/serie, por cada incremento de 1.000 pies (305 m) de altitud. Para obtener asistencia para convertir el aparato a otros tipos de gas y/o instalar el aparato a una altitud superior a 10.000 pies (3.048 m), póngase en contacto con su compañía de servicio más cercana.

REQUISITOS DE INSTALACIÓN DE LA LAVADORA/ SECADORA ELÉCTRICAS APILADAS

Ubicación de la lavadora/secadora eléctrica apiladas

⚠ ADVERTENCIA



Peligro de Explosión

Mantenga los materiales y vapores inflamables, tales como la gasolina, alejados de la secadora.

No instale en un garage.

No seguir estas instrucciones puede ocasionar la muerte, explosión o incendio.

La selección de una ubicación apropiada para su lavadora/secadora mejora el rendimiento y reduce al mínimo el ruido y la posible "caminata" de la lavadora.

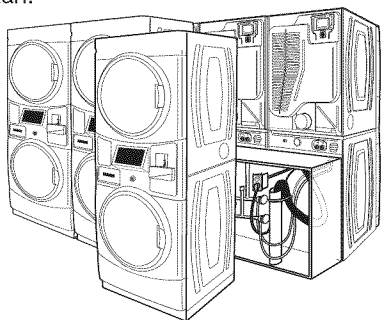
Su lavadora/secadora se puede instalar en un sótano, cuarto para lavar o un lugar empotrado. Vea "Sistema de desagüe".

Deberá tenerse en cuenta también los requisitos para la ubicación de otro electrodoméstico que le acompañe.

IMPORTANTE: No instale ni almacene esta lavadora/secadora donde estará expuesta a la intemperie. No almacene ni opere la lavadora/secadora en temperaturas de 32 °F (0 °C) o inferiores. El agua que quede en la lavadora puede ocasionar daños a bajas temperaturas. La instalación correcta es su responsabilidad.

Usted necesitará:

- Un calentador de agua fijado para suministrar a la lavadora agua a 120 °F (49 °C).
- Un contacto eléctrico con conexión a tierra ubicado a una distancia de no más de 6 pies (1,8 m) del lugar donde el cable eléctrico está fijado a la parte posterior de la lavadora. Vea "Requisitos eléctricos".
- Grifos de agua caliente y de agua fría ubicados a una distancia de 4 pies (1,2 m) de las válvulas de llenado del agua caliente y agua fría y una presión de agua de 20–100 lb/pulg² (137,9–689,6 kPa).
- Un piso nivelado con un declive máximo de 1" (25 mm) debajo de la lavadora/secadora completa. No se recomienda instalar la lavadora/secadora sobre superficies blandas del piso, tales como alfombras o superficies con reverso de espuma.
- Un piso resistente y firme que soporte la lavadora/secadora con un peso total (del agua y de la carga) de 450 libras (204 kg).
- Un desagüe de piso debajo del tabique. Los tabiques divisorios prefabricados con contactos eléctricos, las líneas de entrada de agua y las instalaciones con desagües deben ser usados únicamente donde los códigos locales lo permitan.



Espacios libres de instalación para la lavadora/secadora eléctrica apiladas

- La ubicación debe ser lo suficientemente grande para permitir que las puertas de la lavadora y la secadora se abran completamente.
- Debe considerarse espacio adicional para facilitar la instalación y el servicio técnico. Las puertas se abren a más de 180°. La puerta de la lavadora no es reversible.
- Se podrían necesitar espacios libres adicionales para las molduras de la pared, de la puerta y el piso.
- Se recomienda un espacio adicional de 1" (25 mm) en todos los lados de la lavadora/secadora para reducir la transferencia de ruido.
- También se debe considerar espacio adicional para otro electrodoméstico que le acompañe.

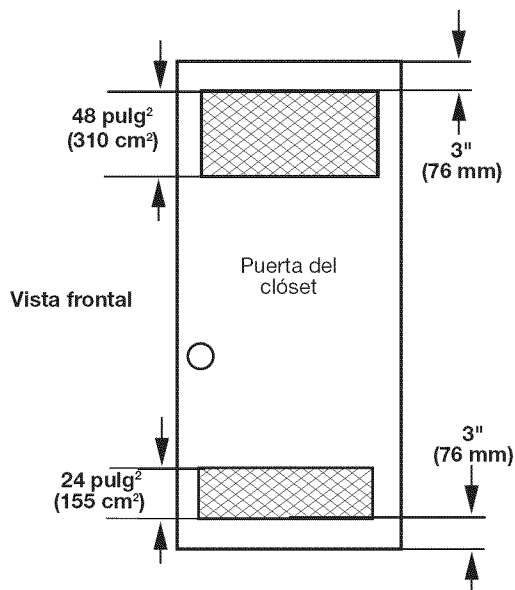
Instrucciones para la instalación empotrada o en clóset

Esta lavadora/secadora podrá instalarse en un área empotrada o en un clóset. Para las instalaciones en áreas empotradas y clósets, se pueden encontrar los espacios mínimos en la etiqueta de advertencia, en la parte posterior de la secadora.

El espacio de instalación es en pulgadas (centímetros) y es el mínimo permitido. Debe considerarse espacio adicional para facilitar la instalación, el servicio técnico y el cumplimiento de los códigos y ordenanzas locales.

Si se ha instalado la puerta del clóset, se requieren aberturas mínimas de ventilación sin obstrucciones en la parte superior e inferior de la puerta. Se aceptan puertas tipo persianas con aberturas de aire equivalentes.

La secadora deberá ventilarse al exterior.



REQUISITOS DE INSTALACIÓN DE LA LAVADORA/ SECADORA ELÉCTRICAS APILADAS

Requisitos eléctricos de la lavadora/secadora eléctrica apiladas

Requisitos eléctricos de la lavadora

⚠ ADVERTENCIA



Peligro de Choque Eléctrico

Conecte a un contacto de pared de conexión a tierra de 3 terminales.

No quite la terminal de conexión a tierra.

No use un adaptador.

No use un cable eléctrico de extensión.

No seguir estas instrucciones puede ocasionar la muerte, incendio o choque eléctrico.

- No coloque un fusible en el circuito neutro o de puesta a tierra.
- Esta lavadora/secadora viene equipada con un cable eléctrico dotado de un enchufe de 3 terminales con conexión a tierra.
- Para reducir al mínimo los posibles choques eléctricos, el cable debe ser enchufado en un contacto apropiado de pared de 3 terminales, conectado a tierra de acuerdo con los códigos y normas locales. Si no hay disponible un contacto equivalente, es responsabilidad y obligación personal del cliente de tener un contacto apropiado con conexión a tierra instalado por un electricista calificado.
- Si los códigos lo permiten y se emplea un hilo de conexión a tierra separado, se recomienda que un electricista competente determine si la trayectoria de conexión a tierra es adecuada.
- Si no está seguro de que la conexión a tierra de la lavadora sea la adecuada, verifíquela con un electricista competente.

Conexión a tierra de la lavadora/secadora eléctrica apiladas

INSTRUCCIONES PARA LA CONEXIÓN A TIERRA

Para una lavadora conectada a tierra con cable eléctrico:

Esta lavadora debe conectarse a tierra. En caso de funcionamiento defectuoso o avería, la conexión a tierra reducirá el riesgo de choque eléctrico al proporcionar una vía de menor resistencia para la corriente eléctrica. Esta lavadora viene equipada con un cable eléctrico que tiene un conductor de conexión a tierra del equipo y un enchufe con conexión a tierra. El enchufe debe conectarse en un contacto de pared apropiado que haya sido debidamente instalado y conectado a tierra de conformidad con todos los códigos y ordenanzas locales.

ADVERTENCIA: La conexión incorrecta de la terminal de conexión a tierra del equipo puede ocasionar un riesgo de choque eléctrico. Consulte con un electricista o técnico en reparaciones calificado si tiene duda alguna en cuanto a la conexión a tierra correcta del electrodoméstico.

No modifique el enchufe provisto con el electrodoméstico. Si éste no encaja en el contacto de pared, pida a un electricista calificado que le instale un contacto de pared apropiado.

Para una lavadora con contacto eléctrico permanente:

Esta lavadora debe estar conectada a un sistema de cableado de metal permanente, conectado a tierra, o se debe tender un conducto para la conexión a tierra del equipo con los conductores de circuito y conectado a la terminal de tierra del equipo o al conductor de suministro del electrodoméstico.

REQUISITOS DE INSTALACIÓN DE LA LAVADORA/ SECADORA ELÉCTRICAS APILADAS

Requisitos eléctricos de la lavadora/ secadora eléctrica apiladas (cont.)

Conexión a tierra de la lavadora/secadora eléctrica apiladas (cont.)

INSTRUCCIONES PARA LA CONEXIÓN A TIERRA

- Para la conexión de una secadora mediante cable eléctrico conectado a tierra:

Esta secadora debe estar conectada a tierra. En el caso de funcionamiento defectuoso o avería, la conexión a tierra reducirá el riesgo de choque eléctrico al proporcionar una vía de menor resistencia para la corriente eléctrica. Esta secadora usa un cable que cuenta con un conductor para la conexión a tierra del equipo y un enchufe de conexión a tierra. El enchufe debe conectarse en un contacto apropiado, que esté debidamente instalado y conectado a tierra de acuerdo con todos los códigos y ordenanzas locales.

- Para la conexión permanente de una secadora:

Esta secadora debe estar conectada a un sistema de cableado de metal permanente, conectado a tierra, o se debe tender un conducto para la conexión a tierra del equipo con los conductores de circuito y conectado al terminal de tierra del equipo o al conductor de suministro de la secadora.

ADVERTENCIA: La conexión indebida del conductor para la conexión a tierra del equipo puede ocasionar un riesgo de choque eléctrico. Verifique con un electricista, representante o personal de servicio técnico calificado para asegurarse de que la conexión a tierra de la secadora sea apropiada. No modifique el enchufe que viene con el cable eléctrico. Si no encaja en el contacto, contrate un electricista calificado para que instale un contacto adecuado.

GUARDE ESTAS INSTRUCCIONES

REQUISITOS DE INSTALACIÓN DE LA LAVADORA/ SECADORA ELÉCTRICAS APILADAS

Requisitos eléctricos de la secadora

Usted es responsable de:

- Ponerse en contacto con un instalador eléctrico calificado.
- Asegurarse de que la conexión eléctrica sea adecuada y de conformidad con el Código Nacional Eléctrico, ANSI/NFPA 70 - última edición y con todos los códigos y ordenanzas locales.
El Código Nacional Eléctrico requiere una conexión de suministro de energía eléctrica de 4 hilos para aquellos hogares construidos después de 1996, para los circuitos de secadora que se hayan reformado después de 1996 y todas las instalaciones de casas rodantes.
Usted puede obtener una copia de las normas de los códigos arriba indicadas en: National Fire Protection Association, One Batterymarch Park, Quincy, MA 02269.
- Proveer el suministro eléctrico requerido de 3 ó 4 hilos, monofásico, de 240 voltios, 60 Hz, CA solamente (o un suministro eléctrico de 3 ó 4 hilos, de 120/208 voltios, si se especifica en la placa indicadora de clasificación/de la serie) en un circuito separado de 30 amperios, protegido con fusibles en ambos lados de la línea. Se recomienda un fusible retardador o un cortacircuitos. Conéctelo a un circuito derivado individual. No tenga un fusible en el circuito neutro o de conexión a tierra.
- No use un cable eléctrico de extensión.
- Si los códigos lo permiten y se emplea un hilo de conexión a tierra separado, se recomienda que un electricista competente determine si la trayectoria de conexión a tierra es adecuada.

Conexión eléctrica

Para instalar su secadora adecuadamente, usted debe determinar el tipo de conexión eléctrica que va a usar y seguir las instrucciones que aquí se proveen para el caso.

- Esta secadora ha sido manufacturada lista para ser instalada en una conexión de suministro de energía eléctrica de 3 hilos. El conductor de puesta a tierra neutro está permanentemente conectado al conductor neutral (cable blanco), dentro de la secadora. Si la secadora está instalada con una conexión de suministro eléctrico de 4 hilos, el conductor neutro de puesta a tierra se debe quitar del conector de puesta a tierra exterior (tornillo verde) y se debe ajustar debajo de la terminal neutra (cable central o blanco) del bloque de terminal. Cuando el conductor neutro de puesta a tierra esté ajustado debajo de la terminal neutra (cable central o blanco) del bloque de terminal, la carcasa de la secadora queda aislada del conductor neutral.
- Si los códigos locales no permiten la conexión de un conductor neutro conectado a tierra al hilo neutro, vea la sección "Conexión opcional de 3 hilos".
- Deberá usarse una conexión con suministro de energía de 4 hilos cuando el aparato esté instalado en una ubicación en la cual esté prohibida la conexión a tierra a través del conductor neutro. Está prohibido hacer la puesta a tierra a través del conductor neutro para (1) las nuevas instalaciones de circuito derivado, (2) casas rodantes, (3) vehículos de recreación y (4) áreas donde los códigos locales prohíben la conexión a tierra a través del conductor neutro.

Cable de suministro eléctrico de la secadora eléctrica

⚠ ADVERTENCIA



Peligro de Incendio

Use un cable de suministro eléctrico nuevo de 30 amperes que esté en la lista de UL.

Use un protector de cables que esté en la lista de UL.

Desconecte el suministro eléctrico antes de hacer las conexiones eléctricas.

Conecte el alambre neutro (el blanco o el del centro) al terminal central.

El alambre de tierra (el verde o el no aislado) se debe conectar con el conector verde de tierra.

Conecte los 2 alambres de suministro restantes con las 2 terminales restantes (las doradas).

Apretete firmemente todas las conexiones eléctricas.

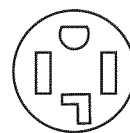
No seguir estas instrucciones puede ocasionar la muerte, incendio, o choque eléctrico.

Si emplea un cable de suministro eléctrico:

Use un juego de cable de suministro de energía que esté en la lista de UL, para ser usado con secadoras de ropa. El juego deberá incluir:

- Un cable de suministro de energía de 30 amperios que esté en la lista de UL, de 240 voltios como mínimo. El cable deberá ser del tipo SRD o SRDT y tener por lo menos 4 pies (1,22 m) de largo. Los hilos que lo conectan a la secadora deben acabar en terminales de anillo o de horquilla en forma de "U" con los extremos hacia arriba.
- Un protector de cables que esté en la lista de UL.

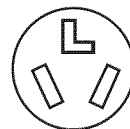
Si el contacto de pared luce como éste:



Contacto de 4 hilos (14-30R)

Entonces elija un cable de suministro eléctrico de 4 hilos con terminales de anillo o de horquilla y con protector de cables que esté en la lista de UL. El cordón de suministro de corriente de 4 hilos, de por lo menos 4 pies (1,22 m) de largo, debe tener 4 hilos de cobre sólido de calibre 10 y encajar en un tomacorriente para 4 hilos de NEMA Tipo 14-30R. El hilo de puesta a tierra (conductor de puesta a tierra) debe ser verde o desnudo. El conductor neutral debe ser identificado con una cubierta blanca.

Si el contacto de pared luce como éste:




Contacto de 3 hilos (10-30R)

Entonces elija un cable de suministro eléctrico de 3 hilos con terminales de anillo o de horquilla y con protector de cables que esté en la lista de UL. El cable de suministro de corriente de 3 hilos, de por lo menos 4 pies (1,22 m) de largo, debe tener 3 hilos de cobre sólido de calibre 10 y encajar en un tomacorriente para 3 hilos de NEMA Tipo 10-30R.

REQUISITOS DE INSTALACIÓN DE LA LAVADORA/ SECADORA ELÉCTRICAS APILADAS

Cable directo de la secadora

⚠ ADVERTENCIA



Peligro de Incendio

Utilice alambres de cobre sólido de ancho 10.

Use un protector de cables que esté en la lista de UL.

Desconecte el suministro eléctrico antes de hacer las conexiones eléctricas.

Conecte el alambre neutro (el blanco o el del centro) al terminal central.

El alambre de tierra (el verde o el no aislado) se debe conectar con el conector verde de tierra.

Conecte los 2 alambres de suministro restantes con las 2 terminales restantes (las doradas).

Apriete firmemente todas las conexiones eléctricas.

No seguir estas instrucciones puede causar la muerte, incendio o choque eléctrico.

Si hace la conexión con cableado directo:

El cable de suministro eléctrico debe ser igual al suministro eléctrico (de 4 hilos o de 3 hilos) y debe ser:

- Cable blindado flexible o cable de cobre forrado no metálico (con hilo de puesta a tierra), cubierto con un conducto metálico flexible. Todos los hilos conductores de corriente deben estar aislados.
- Hilo de cobre sólido de calibre 10 (no utilice aluminio).
- Tener por lo menos 5 pies (1.52 m) de longitud.

REQUISITOS DE VENTILACIÓN DE LA SECADORA

⚠️ ADVERTENCIA

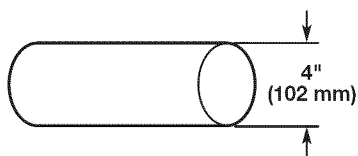


Peligro de Incendio

- Use un ducto de escape de metal pesado.
- No use un ducto de escape de plástico.
- No use un ducto de escape de aluminio.
- No seguir estas instrucciones puede ocasionar la muerte o incendio.

ADVERTENCIA: Para reducir el riesgo de incendio, esta secadora DEBE VENTILARSE HACIA EL EXTERIOR.
IMPORTANTE: Observe todos los códigos y ordenanzas aplicables.

El ducto de escape de la secadora no debe conectarse en ningún ducto de gas, chimenea, pared, techo, desván, espacio angosto o el espacio oculto de un edificio. Deberá usarse solamente un ducto de metal rígido o flexible para la ventilación.



Ducto de escape de metal pesado de 4" (102 mm)

- Sólo puede usarse un ducto de escape de metal pesado de 4" (102 mm) y abrazaderas.
- No utilice un ducto de escape de plástico ni de aluminio.

Ducto de escape de metal rígido:

- Se recomienda para un mejor desempeño en el secado y para evitar que se aplaste o se tuerza.

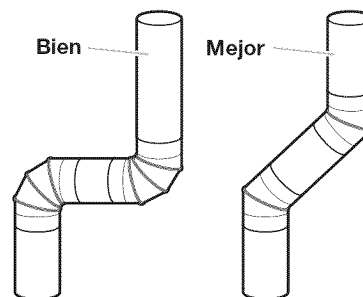
Ducto de escape de metal flexible: (Es aceptable sólo si es accesible para la limpieza)

- Deberá extenderse por completo y tener soporte en la ubicación final de la secadora.
- Quite el exceso del mismo para evitar que se doble y se tuerza, lo cual podría dar lugar a una reducción del flujo de aire y a un rendimiento insuficiente.
- No instale un ducto de escape de metal flexible en paredes, techos o pisos encerrados.
- La longitud total no deberá exceder los 7¾ pies (2,4 m).

NOTA: Si se usa un sistema de ventilación existente, limpie la pelusa que está en toda la longitud del sistema y asegúrese de que la capota de ventilación no esté obstruida con pelusa. Reemplace los ductos de escape de plástico o de hoja de metal por ductos de metal rígido o de metal flexible. Revise el "Cuadro del sistema de ventilación" y, si es necesario, modifique el sistema de ventilación existente para lograr el mejor desempeño de secado.

Codos:

- Los codos de 45° proveen un mejor flujo de aire que los codos de 90°.



Abrazaderas:

- Utilice abrazaderas para sellar todas las juntas.
- No debe conectarse ni asegurarse el ducto de escape con tornillos ni con ningún otro dispositivo de sujeción que se extienda hacia el interior de dicho ducto y atrape pelusa. No utilice cinta para ductos.



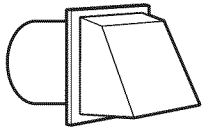
La ventilación inadecuada puede ocasionar la acumulación de humedad y pelusa en la casa, lo cual puede dar como resultado:

- Daños de humedad en la carpintería, muebles, pintura, empapelado, alfombras, etc.
- Problemas en la limpieza de la casa y de salud.

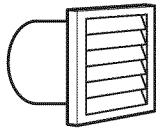
REQUISITOS DE VENTILACIÓN DE LA SECADORA

Capotas de ventilación

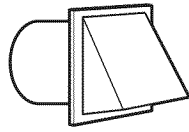
Capotas de ventilación de 4" (102 mm) de diámetro



capota tipo caja

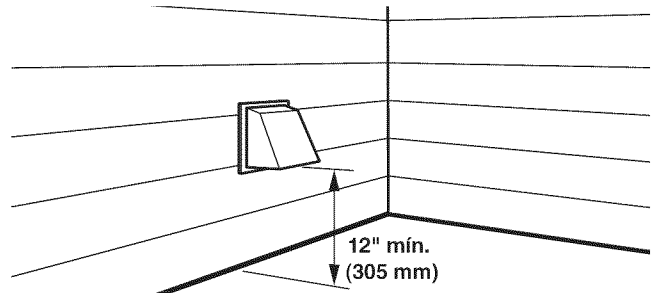


capota tipo persiana



capota angular

La capota de ventilación debe estar por lo menos a 12" (305 mm) de distancia del piso o de cualquier objeto que pudiese estar en el trayecto del ducto de escape (como flores, rocas, arbustos o nieve).



Largo del sistema de ventilación

Largo máximo del ducto de ventilación/Conexión de la ventilación

La longitud máxima del sistema de ventilación depende del tipo de ducto que se use, el número de codos y el tipo de capota de ventilación.

Cuadro del sistema de ventilación
(ducto de escape de metal rígido)

Nº de vueltas de 90°	Capota tipo caja y tipo persiana	Capota angular
0	135 pies (41,2 m)	129 pies (39,3 m)
1	125 pies (38,1 m)	119 pies (36,3 m)
2	115 pies (35,1 m)	109 pies (33,2 m)
3	106 pies (32,3 m)	100 pies (30,5 m)
4	98 pies (29,9 m)	92 pies (28,0 m)

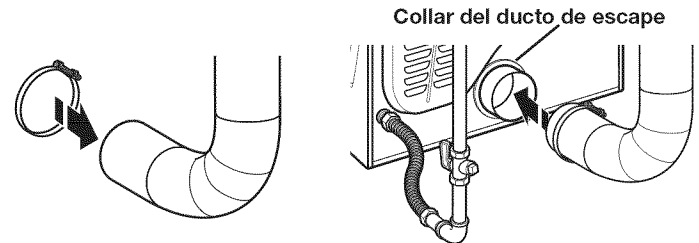
Para los sistemas de ventilación que no se incluyan en el cuadro de especificaciones de ventilación, póngase en contacto con su distribuidor de piezas.

Se deben realizar provisiones para que haya suficiente aire para la combustión y la ventilación. (Verifique los códigos y reglamentos aplicables.) Consulte "Instrucciones para la instalación empotrada y en clóset" en las secciones "Ubicación de la lavadora/secadora a gas apiladas" y "Ubicación de la lavadora/secadora eléctrica apiladas".

Se prefiere una capota de salida de 4" (102 mm). Aún así, podrá usarse una salida de escape de 2½" (64 mm). Una salida de 2½" (64 mm) ocasiona mayor contrapresión que los otros tipos de capotas. Para una instalación permanente, se necesita un sistema fijo de ventilación.

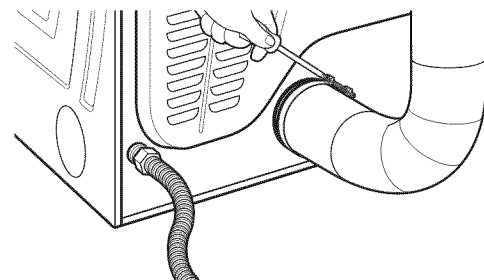
Conexión del ducto de escape

1. Si se conecta a un ducto de escape existente, asegúrese de que el mismo esté limpio.
2. Usando una abrazadera de 4" (102 mm), conecte el ducto de escape a la salida de aire en la secadora.

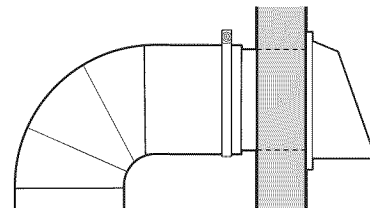


NOTA: No quite el collar del ducto de escape.

3. Apriete la abrazadera de manguera con un destornillador Phillips.



4. Cerciórese de que el ducto de escape esté asegurado a la capota de ventilación con una abrazadera de 4" (102 mm).

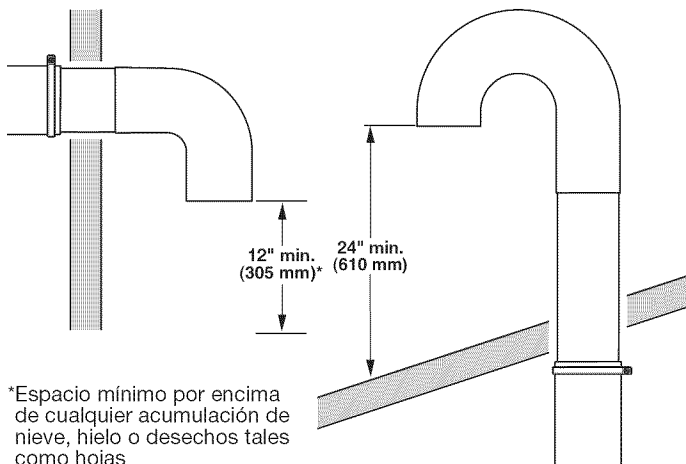


5. Mueva la secadora a su posición final. No aplaste ni retuerza el ducto de escape. Asegúrese de que la secadora esté nivelada.

REQUISITOS DE VENTILACIÓN DE LA SECADORA

Si no puede usarse una capota de ventilación

El extremo exterior del ducto de ventilación principal debe tener un codo redondo dirigido hacia abajo.



Si el ducto de ventilación principal tiene una trayectoria vertical a través del techo en vez de la pared, instale un codo redondo de 180° en el extremo del ducto, a un mínimo de 2 pies (610 mm) por arriba de la superficie del techo.

La abertura en la pared o el techo deberá tener un diámetro de 1/2" (13 mm) mayor que el diámetro del ducto. El ducto debe centrarse en la abertura.

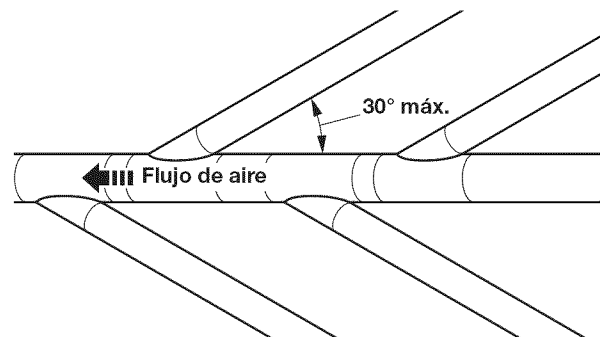
Para obtener el mejor desempeño, no debe instalar una pantalla sobre el extremo del ducto.

Ventilación para múltiples secadoras

Puede usarse un ducto de ventilación principal para la ventilación de un grupo de secadoras. El ducto principal deberá tener el tamaño adecuado para sacar 200 CFM (pies cúbicos por minuto) de aire por cada secadora. Pueden usarse filtros de pelusa de gran capacidad con el diseño adecuado en el ducto principal si se controlan y se limpian con frecuencia. La habitación en donde estén ubicadas las secadoras deberá tener aire de reposición suficiente o mayor que los CFM de todas las secadoras en la habitación.

Un juego de compuerta de contratiro, Pieza N° 3391910, se encuentra disponible con su distribuidor y se debe instalar en el ducto de cada secadora, para evitar que el aire de escape regrese a las secadoras, así como para mantener el ducto de escape equilibrado con el ducto principal. Se requieren aberturas de aire de retorno sin obstrucciones.

Cada ducto deberá entrar en el ducto de escape principal a un ángulo que apunte hacia la dirección del flujo de aire. Los ductos que entran del lado opuesto deberán alternarse para reducir la interferencia del aire de salida con los otros ductos.



El ángulo máximo de cada ducto que entra en el ducto principal deberá ser no más de 30°.

REQUISITOS DEL SUMINISTRO DE GAS DE LA SECADORA

Tipo de gas

Esta secadora está equipada para uso con gas natural. Su diseño está certificado por CSA International para gases LP (propano y butano) con la conversión apropiada. No se deberá hacer intento alguno para convertir la secadora del gas especificado en la placa indicadora de la serie/clasificación para utilizar un gas distinto sin consultar con el abastecedor de gas.

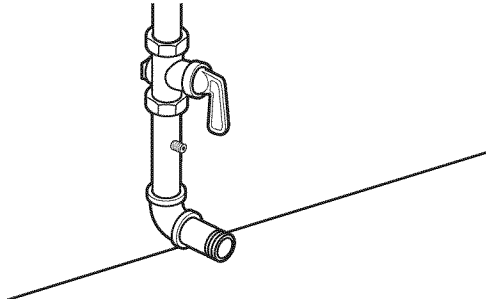
La conversión deberá llevarla a cabo un técnico de servicio calificado.

Los números de pieza del juego de conversión de gas se indican en la base del quemador de la válvula de gas.

Línea de suministro de gas

Método recomendado

Provea una línea de suministro de gas de tubería rígida (IPS) de 1/2" (13 mm) hacia la ubicación de la secadora. Pueden usarse compuestos para uniones de tubería que sean resistentes a la acción del gas LP. No utilice cinta TEFLON[†]. Con el gas LP, el tamaño de la tubería puede ser de un mínimo de 1/2" (13 mm). Por lo general, los proveedores de gas LP determinan el tamaño y los materiales a usarse en el sistema.



Prueba de presión del suministro de gas

Se debe instalar una derivación tapada NTP de por lo menos 1/8" (3 mm), accesible para las pruebas de calibre, inmediatamente debajo de la válvula de cierre instalada que va a la secadora (como se muestra arriba). Se debe desconectar la secadora del sistema de tubería del suministro de gas, siempre que se hagan pruebas de presión de dicho sistema a presiones de prueba que excedan 1/2 lb/pulg² (352 kg/m²).

Método alternativo

El suministro de gas también se puede conectar usando tubería aprobada de cobre o aluminio de 3/8" (10 mm). Si la longitud total de la línea de suministro es mayor que 20 pies (6,1 m), deberá usarse tubos más largos.

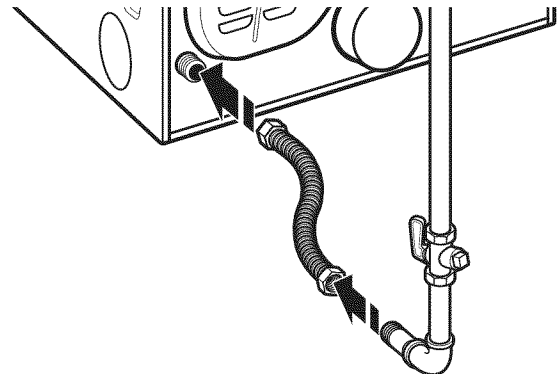
Si va a usar gas natural, no use tubería de cobre. Deben usarse compuestos para uniones de tubería que sean resistentes a la acción del tipo de gas provisto.

Se requiere una válvula de cierre

La línea de suministro debe estar equipada con una válvula de cierre manual instalada a una distancia menor de 6 pies (1,8 m) de la secadora, de acuerdo al National Fuel Gas Code (Código nacional de gas combustible), ANSI Z223.1. Esta válvula debe encontrarse en la misma habitación que la secadora. Deberá estar en una ubicación que permita un fácil acceso para abrir y cerrar. No bloquee el acceso a la válvula de cierre. En Canadá, se deberá instalar una válvula de cierre manual de acuerdo con los códigos B149 de instalación CAN/CGA B149.1 y CAN/CGA B149.2.

Conector flexible de metal para el aparato

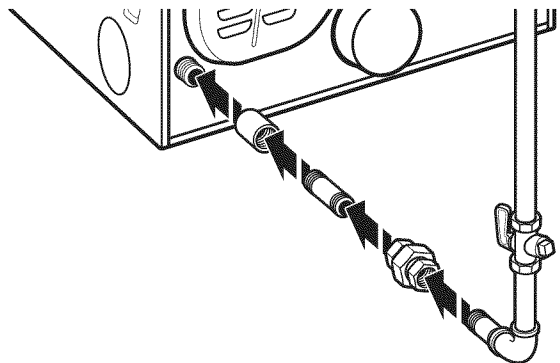
Se recomienda usar una nueva línea flexible de gas de acero inoxidable, cuyo diseño esté certificado por CSA (Asociación canadiense de seguridad), para conectar la secadora a la línea de suministro de gas. (El tubo de gas, que se extiende a través de la parte posterior inferior de la secadora, está suministrado con una rosca macho para tubería de 3/8" [10 mm].)



NOTA: No tuerza ni dañe la línea de gas flexible de acero inoxidable cuando mueva la puerta.

Conexión de tubería rígida

La conexión de tubería rígida requiere una combinación de accesorios de tubería para obtener una conexión en línea hacia la secadora.



[†]TEFLON es una marca registrada de E.I. Du Pont De Nemours and Company.

INSTALACIÓN DE LA LAVADORA/SECADORA APILADAS

Quite el sistema de transporte

NOTA: Deslice la lavadora/secadora sobre un pedazo de cartón o madera dura antes de moverla para no dañar el acabado del piso.

⚠ ADVERTENCIA

Peligro de Peso Excesivo

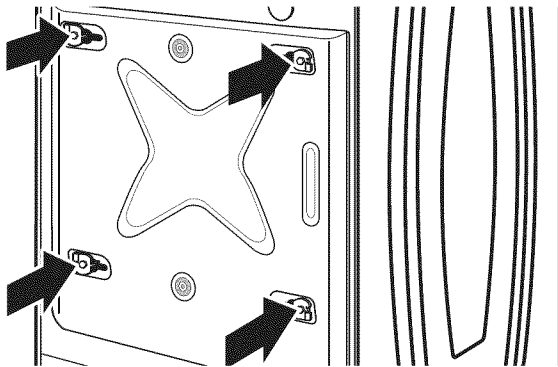
Use dos o más personas para mover e instalar la lavadora/secadora.

No seguir esta instrucción puede ocasionar una lesión en la espalda u otro tipo de lesiones.

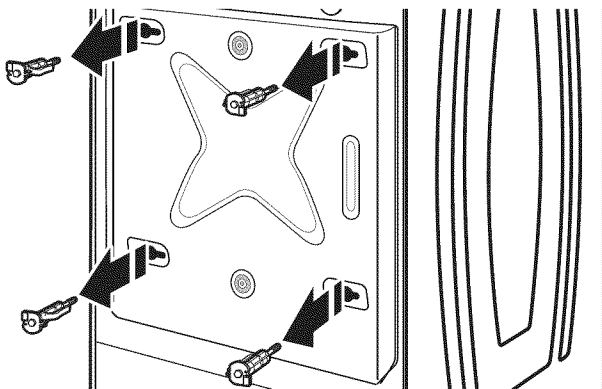
IMPORTANTE: Coloque la lavadora/secadora de modo que la parte posterior de la lavadora esté aproximadamente a 3 pies (900 mm) de distancia de su ubicación final.

Hay 4 pernos de transporte en el panel posterior de la lavadora que sostienen el sistema de suspensión durante el transporte. Estos pernos también retienen el cable de suministro de energía dentro de la lavadora hasta que se quiten los pernos.

1. Mantenga la lavadora/secadora en posición vertical mientras quita los pernos de transporte.
2. Afloje cada uno de los pernos con una llave de tuercas de 1/2" (13 mm).

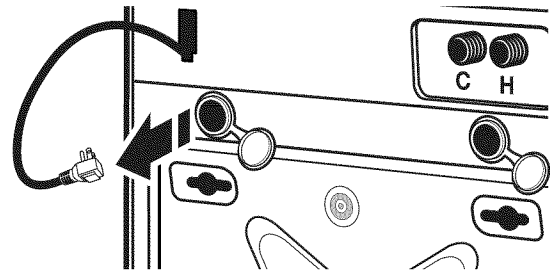
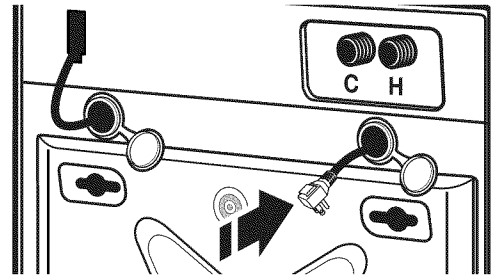


3. Una vez que el perno esté flojo, muévelo hacia el centro del orificio y jálalo hacia fuera por completo, incluyendo el espaciador de plástico que cubre el perno. Una vez que se hayan quitado los 4 pernos, descarte los pernos y los espaciadores.

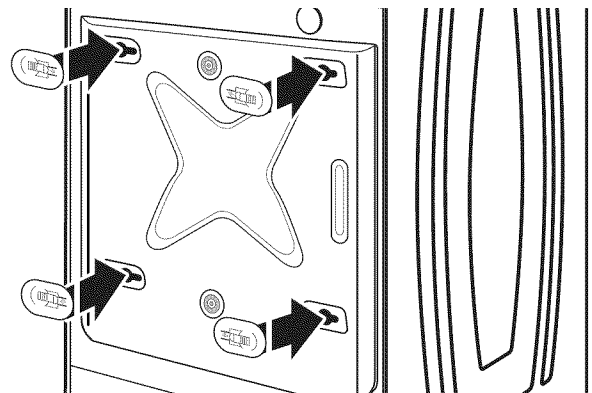


4. Modelos con suministro de energía de lavadora separada: Empuje el cable de suministro de energía dentro de la abertura, en lado derecho del panel posterior, y jale el cable de suministro de energía a través de la abertura en el lado izquierdo del panel posterior; cierre los orificios con la tapa provista. No jale el extremo del cable de suministro de energía a través del orificio del lado derecho.

NOTA: Si no es posible jalar el cable fuera de la parte posterior de la lavadora fácilmente, no lo fuerce para evitar que las piezas interiores de la lavadora o el cable de suministro de energía se dañen. Quite el panel posterior de la lavadora y pase el cable de suministro de energía por el espacio libre de la obstrucción para sacarlo por el orificio en el lado izquierdo del panel posterior.



5. Cierre los orificios de los pernos con los 4 tapones para orificios de pernos de transporte.



IMPORTANTE: Si se va a transportar la lavadora/secadora, llame al distribuidor o el instalador del producto. Para prevenir daños estructurales y de suspensión, su lavadora/secadora debe estar debidamente preparada para ser nuevamente ubicada por un profesional competente.

INSTALACIÓN DE LA LAVADORA/SECADORA APILADAS

Conexión de las mangueras de entrada

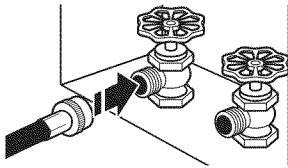
Inserte las nuevas arandelas para manguera (suministradas) en cada extremo de las mangueras de entrada. Asiente firmemente las arandelas en los acoplamientos.



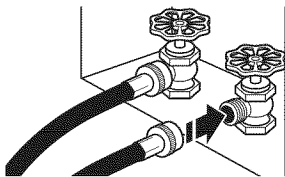
Conecte las mangueras de entrada a los grifos del agua

Asegúrese de que el tambor de la lavadora esté vacío.

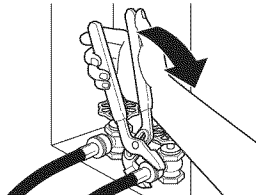
1. Sujete una manguera al grifo de agua caliente. Atornille el acoplamiento con la mano hasta que se asiente en la arandela.



2. Sujete una manguera al grifo de agua fría. Atornille el acoplamiento con la mano hasta que se asiente en la arandela.



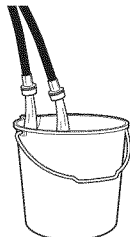
3. Usando las pinzas, apriete los acoplamientos dos tercios de vuelta adicional.



NOTA: No apriete la válvula en exceso ni use cinta o selladores en la misma. Se pueden dañar las válvulas.

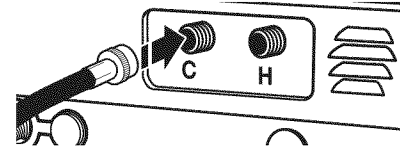
Despeje las líneas de agua

- Deje correr el agua de los grifos y las mangueras de desagüe en un lavadero, tubo de desagüe o cubeta para eliminar las partículas que se encuentran en las tuberías del agua, las cuales podrían obstruir los filtros de la válvula de entrada.
- Verifique la temperatura del agua para asegurarse de que la manguera de agua caliente esté conectada al grifo de agua caliente y que la manguera de agua fría esté conectada al grifo de agua fría.

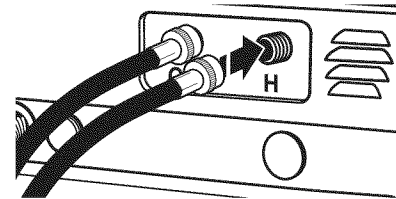


Conecte las mangueras de entrada a la lavadora

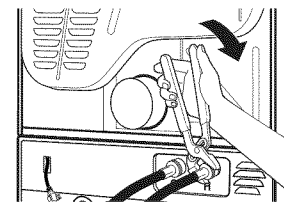
1. Fije la manguera de agua fría a la válvula de entrada de agua fría de la lavadora. Atornille el acoplamiento con la mano hasta que se asiente en la arandela.



2. Fije la manguera de agua caliente a la válvula de entrada de agua caliente de la lavadora. Atornille el acoplamiento con la mano hasta que se asiente en la arandela.

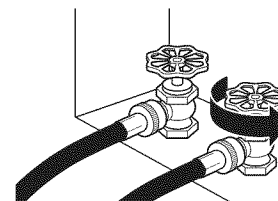


3. Usando las pinzas, apriete los acoplamientos dos tercios de vuelta adicional.



NOTA: No apriete demasiado. Se puede dañar la válvula.

4. Abra por completo los grifos del agua y revise si hay fugas.



NOTA: Reemplace las mangueras de entrada después de 5 años de uso para reducir el riesgo de que fallen. Para consulta en el futuro, anote en las mangueras la fecha de instalación o la fecha de reposición de las mismas.

Inspeccione periódicamente y reemplace las mangueras si aparecen bultos, torceduras, cortaduras, desgaste o filtraciones.

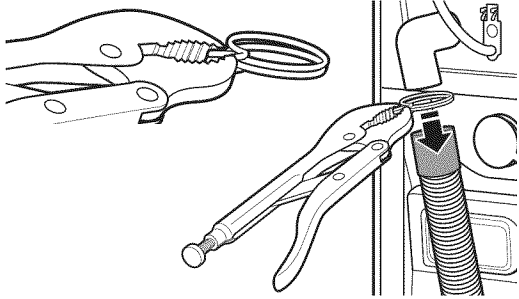
INSTALACIÓN DE LA LAVADORA/SECADORA APILADAS

Dirija la manguera de desagüe

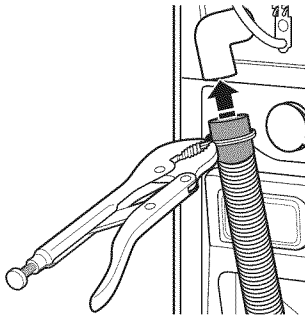
El tendido apropiado de la manguera de desagüe evita daños a sus pisos ocasionados por filtraciones de agua. Lea y siga estas instrucciones.

Retire la manguera de desagüe de la canasta de la lavadora

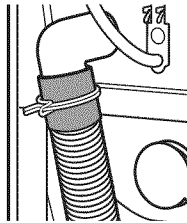
1. Usando pinzas de presión, apriete las lengüetas de la abrazadera para manguera para unir las, e insértelas en el extremo de la manguera de desagüe.



2. Deslice la manguera de desagüe en la conexión de la lavadora.



3. Una vez que la manguera de desagüe esté en su lugar, deje de apretar las pinzas.

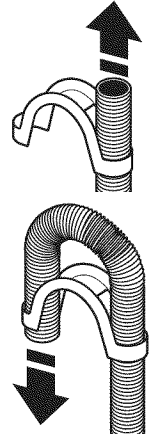


4. El sistema de desagüe de la lavadora se puede instalar utilizando un desagüe de piso, un tubo vertical de pared, un tubo vertical de piso o una tina de lavadero.

Desagüe de la tina de lavadero o desagüe de tubo vertical

Conecte el molde de la manguera de desagüe a la manguera de desagüe corrugada.

Encaje cualquiera de los extremos del molde de la manguera de desagüe a la manguera de desagüe en el lugar donde comienza el corrugado.



Doble la manguera de desagüe sobre el molde de la manguera de desagüe y trábela en su lugar.

NOTA: La manguera no se debe extender más de 1" (25 mm) más allá del extremo del doblado en U.

Para evitar que el agua de desagüe vuelva a su lavadora:

- No enderece la manguera de desagüe ni fuerce el exceso de la misma dentro del tubo vertical. La manguera debe quedar asegurada pero lo suficientemente floja que permita un espacio para el aire.
- No tienda el exceso de la manguera en el fondo de la tina del lavadero.

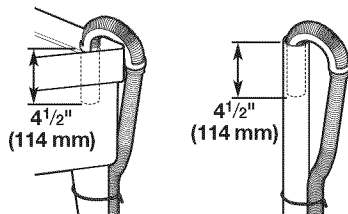
Desagüe por el piso

Quizás necesite piezas adicionales. Ver "Piezas adicionales".

Asegure la manguera de desagüe

1. Coloque el cable de suministro de energía encima de la lavadora.
2. Mueva la lavadora a su ubicación final.
3. Ubique la manguera de desagüe en la tina del fregadero o tubo vertical, como se muestra.

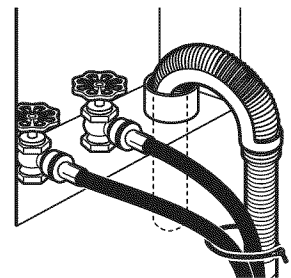
4. Asegure la manguera de desagüe con el fleje de atadura rebordeado suministrado.



5. Si los grifos de suministro de la lavadora y el tubo vertical de desagüe están empotrados, ponga el extremo en forma de gancho de la manguera de desagüe en el tubo vertical, como se muestra.

NOTAS:

- No fuerce el exceso de la manguera de desagüe dentro de la parte posterior de la lavadora.
- Para evitar el sifonaje de agua, no selle la manguera de desagüe en el tubo vertical.



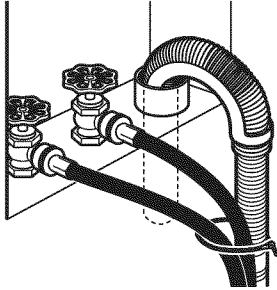
SISTEMA DE DESAGÜE DE LA LAVADORA

Se puede instalar la lavadora utilizando el sistema de desagüe por tubo vertical (en el piso o en la pared), el sistema de desagüe por la tina de lavadero, o el sistema de desagüe por el piso.

Sistema de desagüe por tubo vertical: pared o piso

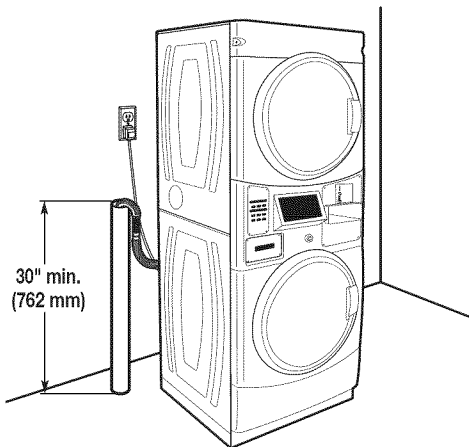
El desagüe por tubo vertical necesita un tubo vertical con un diámetro mínimo de 2" (50 mm). La capacidad mínima de desagüe no puede ser menor de 10 gal (38 L) por minuto.

Pared



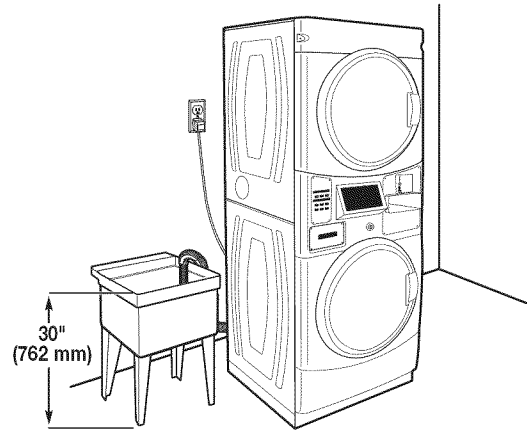
La parte superior del tubo vertical debe tener una altura mínima de 30" (762 mm) y máxima de 96" (2,4 m) desde la parte inferior de la lavadora.

Piso



Sistema de desagüe de tina de lavadero

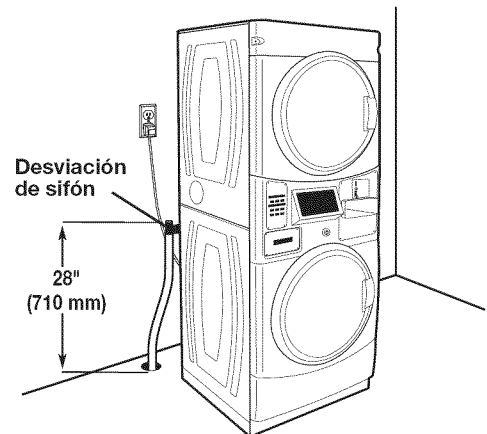
La tina de lavadero necesita una capacidad mínima de 20 gal. (76 L). La parte superior de la tina de lavadero debe estar a una altura mínima de 30" (762 mm) del piso.



Sistema de desagüe por el piso

El sistema de desagüe por el piso necesita una desviación de sifón que puede adquirirse por separado.

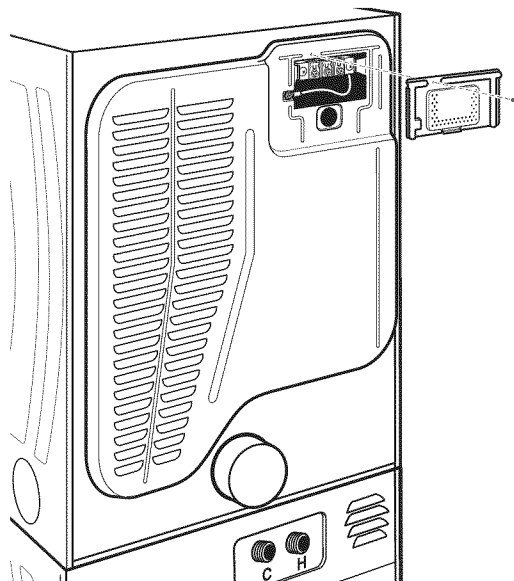
La desviación de sifón (Pieza número 285834) debe estar a una distancia mínima de 28" (710 mm) de la parte inferior de la lavadora. Se pueden necesitar mangueras adicionales.



CONEXIONES ELÉCTRICAS DE LA SECADORA ELÉCTRICA

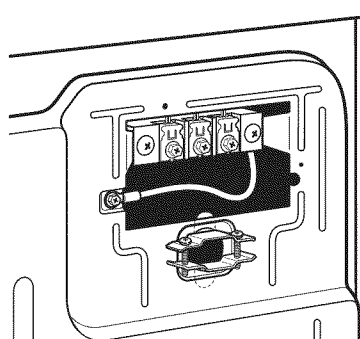
Protector de cables

Quite la tapa del bloque de terminal

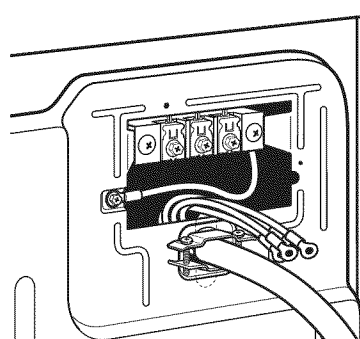


Protector de cables del cable de suministro de energía

1. Inserte el protector de cables.



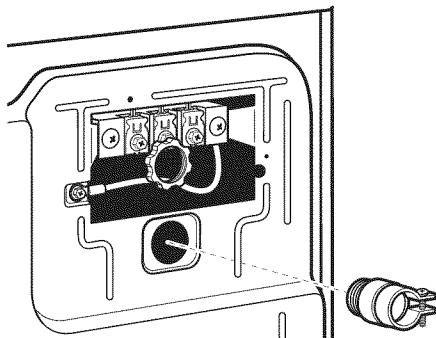
2. Inserte el cable de suministro de energía en el protector de cables.



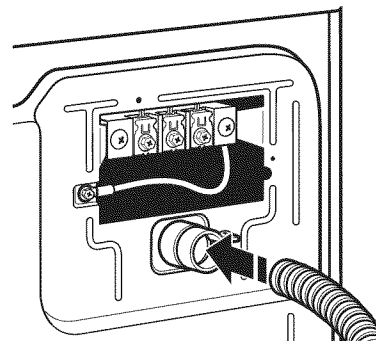
Protector de cables

Protector de cables para cable directo

1. Inserte el protector de cables.



2. Inserte el conducto en el protector de cables y apriete la abrazadera.

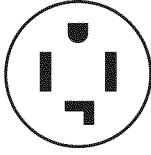


CONEXIONES ELÉCTRICAS DE LA SECADORA ELÉCTRICA

Opciones de conexión

Cable de suministro de energía

Contacto de 4 hilos (tipo NEMA 14-30R)

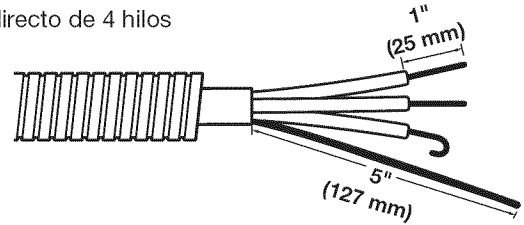


Contacto de 3 hilos (tipo NEMA 10-30R)

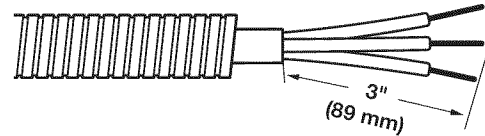


Cable directo

Cable directo de 4 hilos



Cable directo de 3 hilos



Cómo hacer la conexión de 4 hilos: Cable de suministro de energía

IMPORTANTE: Se necesita una conexión de 4 hilos para las casas rodantes y donde los códigos locales no permitan el uso de conexiones de 3 hilos.

Conectores estándar del cable de suministro de energía



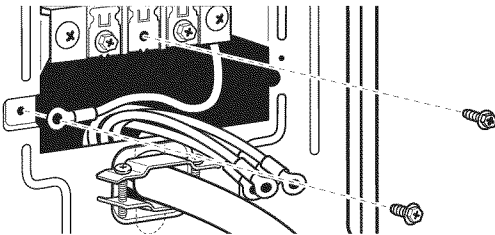
Conector de horquilla con bridas



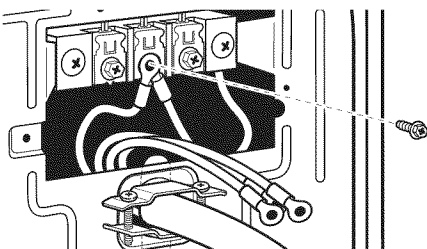
Conector de anillo

Cómo hacer la conexión de los hilos de puesta a tierra y neutro

1. Para quitar el tornillo central del bloque de terminal y el hilo de conexión a tierra, remueva el tornillo conector de puesta a tierra externo.

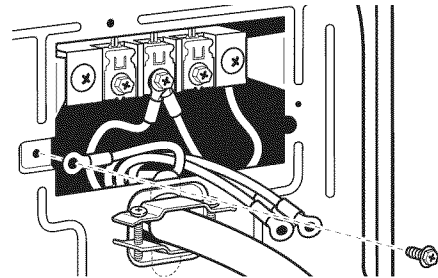


2. Conecte el hilo de puesta a tierra y el hilo neutro al bloque de terminal central.



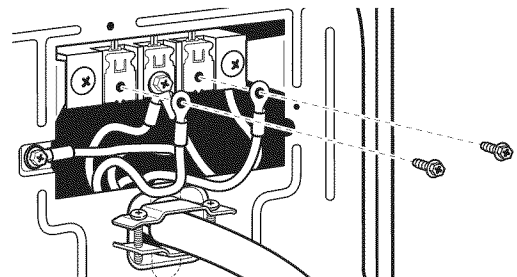
Cómo hacer la conexión a tierra del cable directo

3. Conecte el hilo de puesta a tierra (verde o desnudo) con el tornillo conector de puesta a tierra exterior.



Cómo conectar los hilos restantes

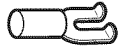
4. Conecte los hilos restantes a los tornillos de los bloques de terminal de los extremos.



CONEXIONES ELÉCTRICAS DE LA SECADORA ELÉCTRICA

Cómo hacer la conexión de 3 hilos: Cable de suministro de energía

Conectores estándar del cable de suministro de energía



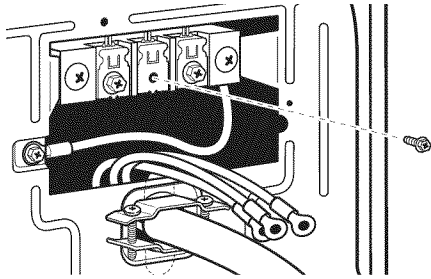
Conector de horquilla con bridas



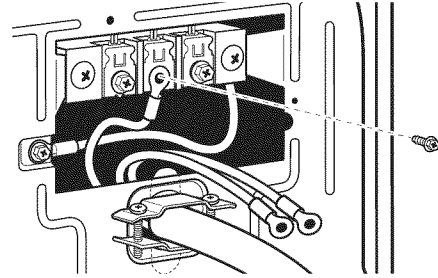
Conector de anillo

Cómo conectar el hilo neutro

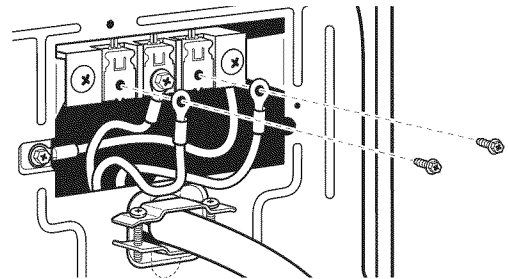
1. Afloje o saque el tornillo del bloque de terminal central.



2. Conecte el hilo neutro al bloque de terminal central.



3. Conecte los hilos restantes a los tornillos de los bloques de terminal de los extremos.



Cómo hacer la conexión de 4 hilos: Cable directo

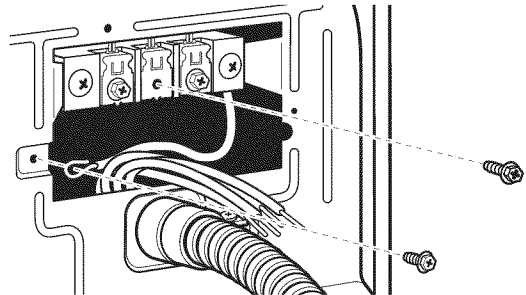
IMPORTANTE: Se necesita una conexión de 4 hilos para las casas rodantes y donde los códigos locales no permitan el uso de conexiones de 3 hilos.

El cable del hilo directo deberá tener 5 pies (1,52 m) de largo adicional, para poder mover la secadora si es necesario.

Pele 5" (127 mm) de la cubierta exterior del extremo del cable, dejando el cable a tierra desnudo a 5" (127 mm). Corte 1½" (38 mm) de los 3 hilos restantes. Pele el aislamiento 1" (25 mm). Doble los extremos de los hilos para formar un gancho.

Cómo hacer la conexión de los hilos a tierra y neutro

1. Para quitar el tornillo central del bloque de terminal y el hilo de conexión a tierra, remueva el tornillo externo del conector de puesta a tierra.

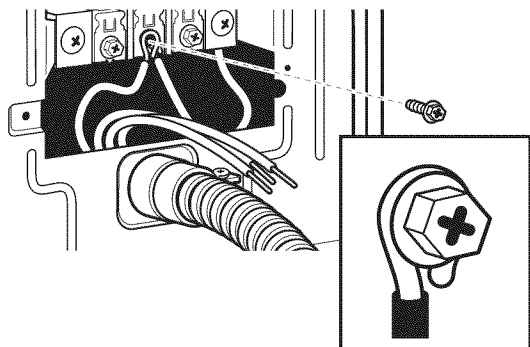


CONEXIONES ELÉCTRICAS DE LA SECADORA ELÉCTRICA

Cómo hacer la conexión de 4 hilos: Cable directo

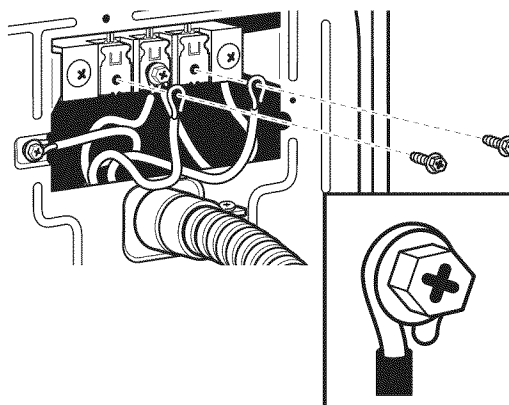
Cómo hacer la conexión de los hilos a tierra y neutro (continuación)

2. Conecte el hilo de puesta a tierra y el hilo neutro al bloque de terminal central.



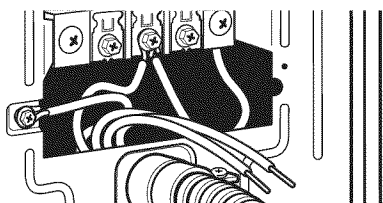
Cómo conectar los hilos restantes

4. Conecte los hilos restantes al bloque de terminal del extremo.



Cómo hacer la conexión a tierra del cable directo

3. Conecte el hilo de puesta a tierra (verde o desnudo) con el tornillo conector de puesta a tierra exterior.



Cómo hacer la conexión de 3 hilos: Cable directo

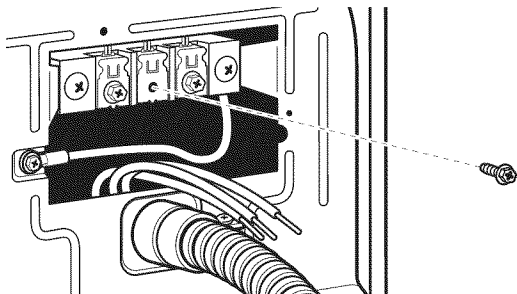
Úselo donde los códigos locales permitan la conexión del conductor de tierra de la carcasa al hilo neutro.

El cable del hilo directo deberá tener 5 pies (1,52 m) de largo adicional, para poder mover la secadora si es necesario.

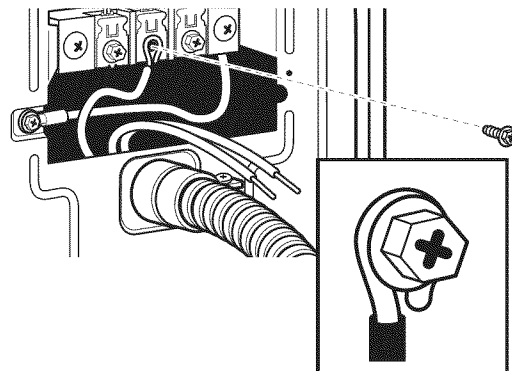
Pele $3\frac{1}{2}$ " (89 mm) de la cubierta exterior del extremo del cable. Pele el aislamiento 1" (25 mm). Si va a usar el cable de 3 hilos con hilo a tierra, corte el hilo desnudo alineado con la cubierta exterior. Doble los extremos de los hilos para formar un gancho.

Cómo conectar el hilo neutro

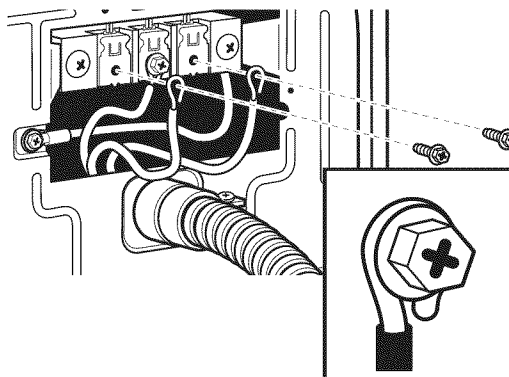
1. Afloje o saque el tornillo del bloque de terminal central.



2. Conecte el hilo neutro al bloque de terminal central.



3. Conecte los hilos restantes al bloque de terminal del extremo.



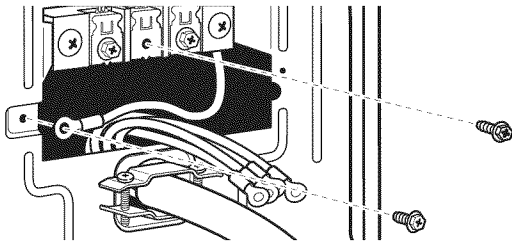
CONEXIONES ELÉCTRICAS DE LA SECADORA ELÉCTRICA

Cómo hacer la conexión de 3 hilos: Opcional

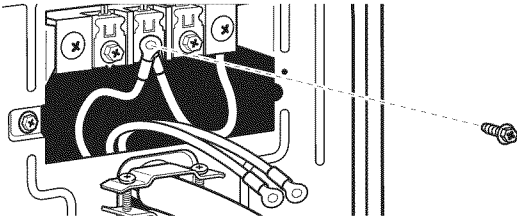
Úselo para el cable directo o el cable de suministro de energía donde los códigos locales no permiten conectar un conductor de conexión a tierra de la carcasa al hilo neutro.

Cómo conectar el hilo neutro

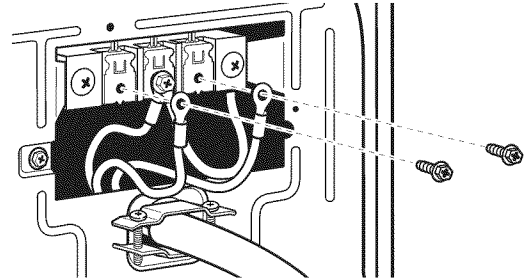
1. Quite el tornillo del bloque de terminal central. Saque también el hilo neutro de puesta a tierra quitando el tornillo conductor de tierra externo.



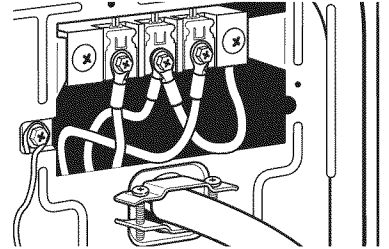
2. Conecte el hilo neutro y el hilo neutro del cable de suministro de energía al bloque de terminal central.



3. Conecte los hilos restantes al bloque de terminal del extremo.



4. Conecte un hilo de tierra de cobre separado desde el conductor a tierra externo a tierra adecuada.



NIVELACIÓN

Nivelación de la lavadora/secadora apiladas

El nivelar adecuadamente su lavadora/secadora reduce el ruido y la vibración en exceso.

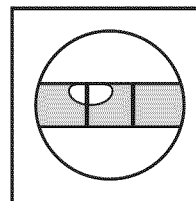
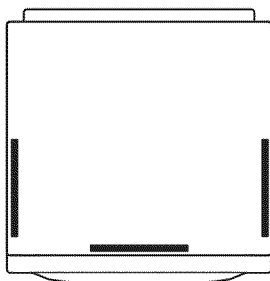
⚠ ADVERTENCIA

Peligro de Peso Excesivo

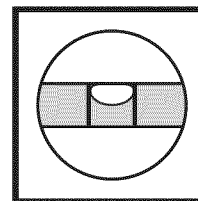
Use dos o más personas para mover e instalar la lavadora/secadora.

No seguir esta instrucción puede ocasionar una lesión en la espalda u otro tipo de lesiones.

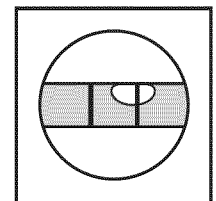
1. Retire el cartón que está debajo de la lavadora/secadora. Coloque un nivel en los bordes superiores de la lavadora/secadora, revisando cada lado y el frente. Si la lavadora/secadora no está nivelada, inclínela y ajuste las patas hacia arriba o hacia abajo, como se muestra en los pasos 3 y 4, repitiendo si es necesario.



No está nivelada



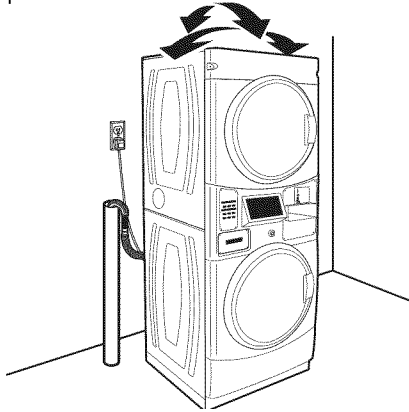
NIVELADA



No está nivelada

Nivelación de la lavadora/secadora apiladas (continuación)

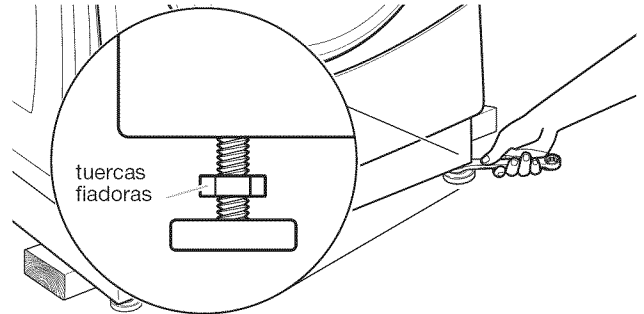
2. Sujete la lavadora/secadora de la parte superior y balancéela de atrás hacia delante, asegurándose de que las 4 patas estén firmes en el piso. Repítalo, balanceando la lavadora/secadora de un lado al otro. Si se balancea la lavadora/secadora, vaya al paso 3 y regule las patas niveladoras. Si las cuatro patas hacen contacto firme con el piso, vaya al paso 4.



3. Si la lavadora/secadora no está nivelada, use una llave de boca o una llave ajustable de 9/16" ó 14 mm para girar las tuercas fijadoras hacia la derecha (como se muestra arriba) en las patas, hasta que estén a aproximadamente 1/2" (13 mm) de la carcasa de la lavadora/secadora. Luego gire la pata niveladora hacia la izquierda para bajar la

lavadora/secadora, o hacia la derecha para levantarla. Vuelva a verificar la nivelación de la lavadora/secadora y que las cuatro patas estén en contacto firme con el piso. Repita el procedimiento si es necesario.

CONSEJO ÚTIL: Puede apuntalar el frente de la lavadora/secadora aproximadamente 4" (102 mm) con un bloque de madera o un objeto similar que vaya a soportar el peso de la lavadora/secadora.



4. Una vez que la lavadora/secadora esté nivelada y que las cuatro patas hagan contacto firme con el piso, use una llave de boca de 9/16" o 14 mm, o bien una llave ajustable, para girar las tuercas fijadoras en las patas niveladoras hacia la izquierda (como se muestra arriba), y apretarlas con firmeza contra la carcasa de la lavadora/secadora.

CONSEJO ÚTIL: Puede apuntalar la lavadora/secadora con un bloque de madera.

Complete la instalación

1. Revise los requisitos eléctricos. Asegúrese de contar con la fuente de electricidad correcta y el método recomendado de conexión a tierra. Vea "Requisitos eléctricos".
2. Verifique que todas las piezas estén ahora instaladas. Si hay una pieza extra, repita los pasos.
3. Verifique que tenga todas las herramientas.
4. Deshágase de todos los materiales de embalaje o recíclelos.
5. Verifique que los grifos de agua estén abiertos.
6. Verifique si hay fugas alrededor de los grifos y de las mangueras de entrada.

8. Para probar y limpiar su lavadora, mida 1/2 de la cantidad de detergente de alto rendimiento (HE) recomendada por el fabricante para una carga mediana. Vierta el detergente en el depósito del detergente. Seleccione cualquier ciclo y permita que la lavadora termine un ciclo completo.
9. Verifique el funcionamiento de la secadora. Seleccione un ciclo completo con calor y deje que la secadora funcione durante cinco minutos por lo menos. La secadora se detendrá cuando se haya terminado el tiempo.

NOTA: La puerta de la secadora debe cerrarse para que la misma funcione. Cuando se abre la puerta, la secadora se detiene pero el temporizador continúa funcionando. Para volver a poner en marcha la secadora, cierre la puerta y presione el botón del ciclo.

Si el quemador no se enciende y no siente calor dentro de la secadora, apáguela por 5 minutos. Revise que todos los controles de la válvula de suministro estén en la posición de "Encendido" (ON), y que el cable de suministro de energía esté enchufado. Repita la prueba de 5 minutos.

⚠ ADVERTENCIA



Peligro de Choque Eléctrico

Conecte a un contacto de pared de conexión a tierra de 3 terminales.

No quite la terminal de conexión a tierra.

No use un adaptador.

No use un cable eléctrico de extensión.

No seguir estas instrucciones puede ocasionar la muerte, incendio o choque eléctrico.

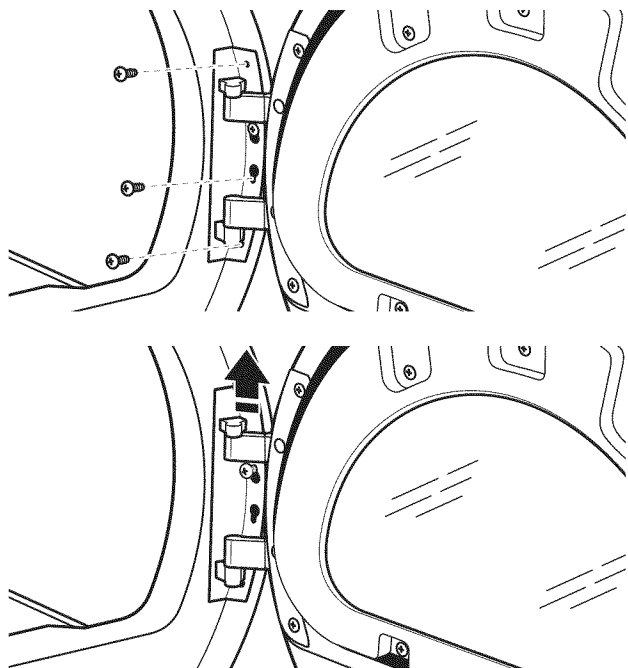
7. Enchufe en un contacto con conexión a tierra o conecte el suministro de energía.

CÓMO INVERTIR EL CIERRE DE LA PUERTA DE LA SECADORA

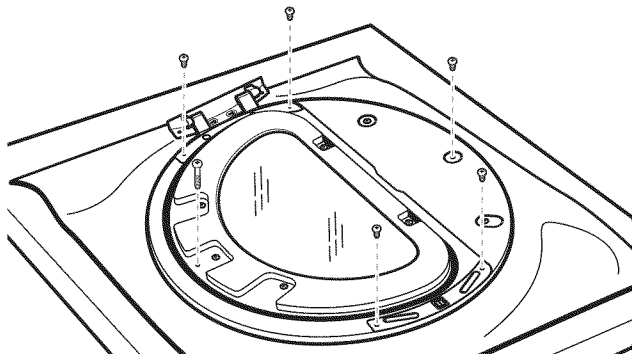
NOTA: Solamente la secadora. La puerta de la lavadora no es reversible

Cómo quitar el ensamblaje de la puerta

1. Coloque una toalla o un paño suave en la parte superior de la secadora o de la superficie de trabajo, para evitar rayar la superficie.
2. Quite 3 de los 4 tornillos que sostienen la bisagra de la puerta en el panel frontal de la secadora. Afloje parcialmente el tornillo restante con orificio de bocallave y levante la puerta del tornillo para separarla.

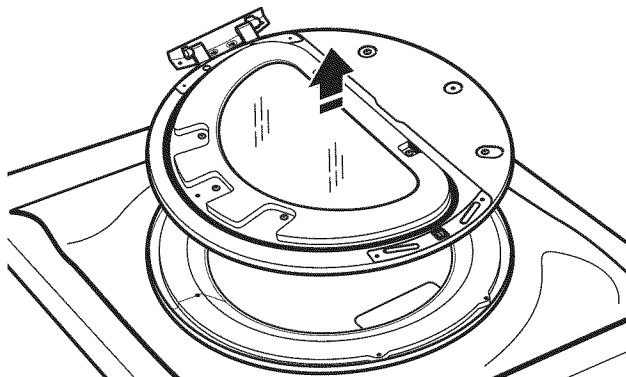


3. Coloque el ensamblaje de la puerta horizontalmente sobre una superficie plana que se haya preparado anteriormente, con el lado interior (el ensamblaje de la puerta interior) mirando hacia arriba, y quite los 6 tornillos de cabeza Phillips para separar el ensamblaje de la puerta exterior del ensamblaje de la puerta interior.

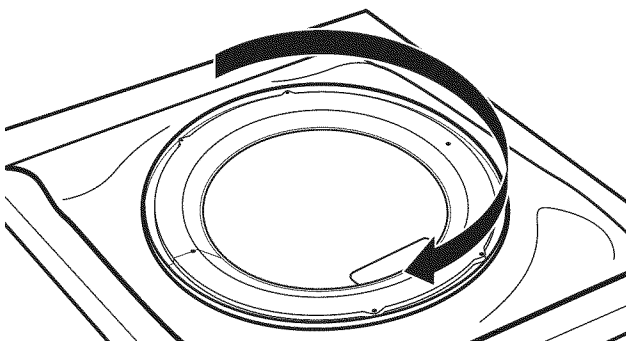


NOTA: Es importante que quite solamente los 6 tornillos indicados.

4. Levante el ensamblaje de la puerta interior y sepárelo del ensamblaje de la puerta exterior.

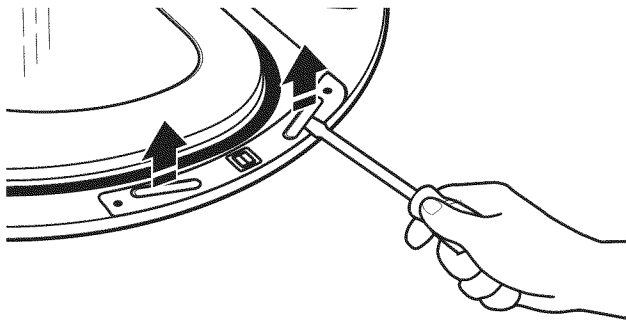


5. Gire la puerta exterior 180°.

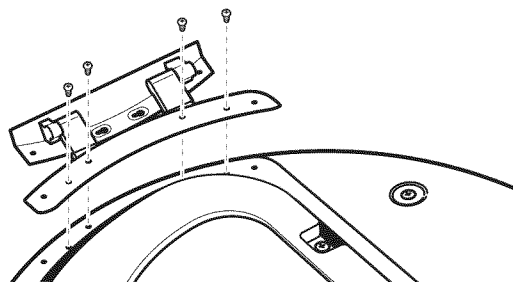


Invierta la bisagra

1. Use un destornillador de hoja plana pequeño para quitar los 2 tapones largos de la puerta interior. Deslice la hoja del destornillador debajo de los tapones, sin rayar la superficie de la puerta interior, y levante el tapón.

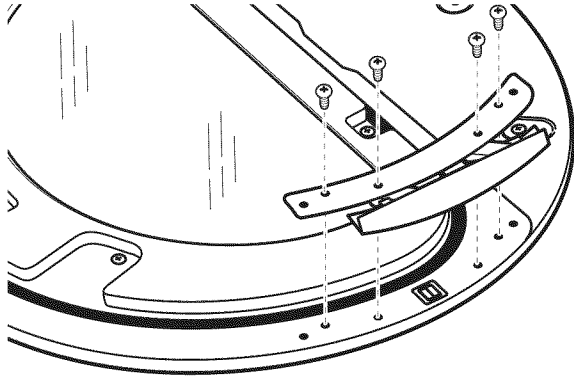


2. Quite los 4 tornillos que sujetan la puerta interior a la bisagra.

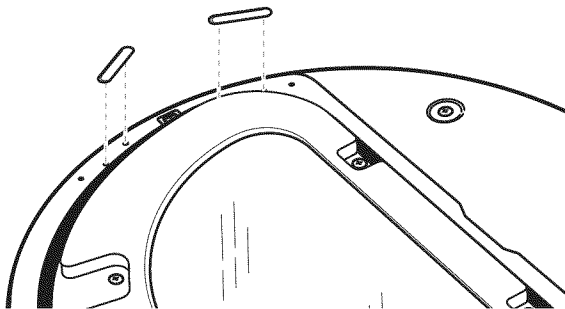


CÓMO INVERTIR EL CIERRE DE LA PUERTA DE LA SECADORA

3. Mueva la bisagra al otro lado. Vuelva a instalar los 4 tornillos.



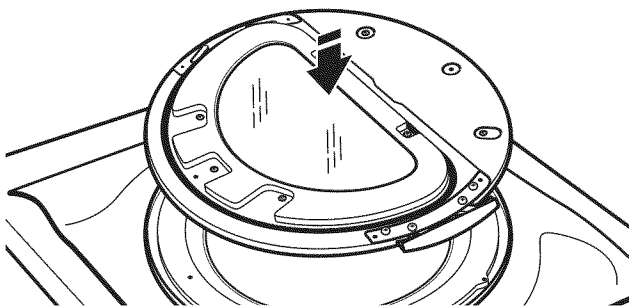
4. Reinstale las cintas de los tapones en el lado opuesto de la puerta interior.



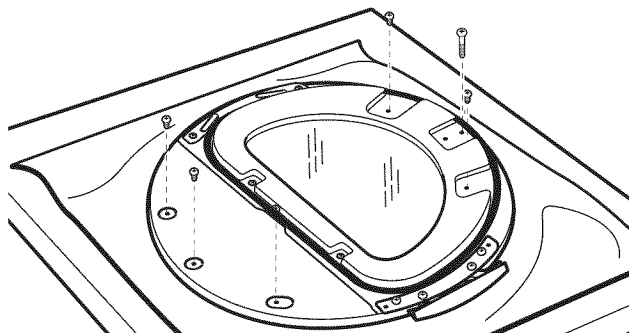
5. Fíjese si hay huellas digitales en el vidrio. Limpie si es necesario.

Vuelva a colocar el ensamblaje de la puerta

1. Coloque el ensamblaje interior de la puerta dentro del ensamblaje exterior de la puerta.

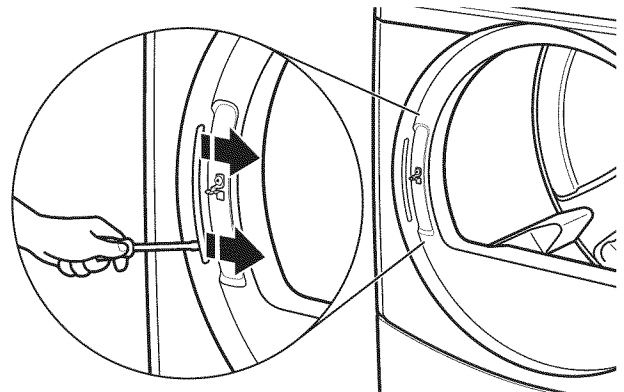


2. Vuelva a colocar los ensamblajes interior y exterior de la puerta con los 6 tornillos.

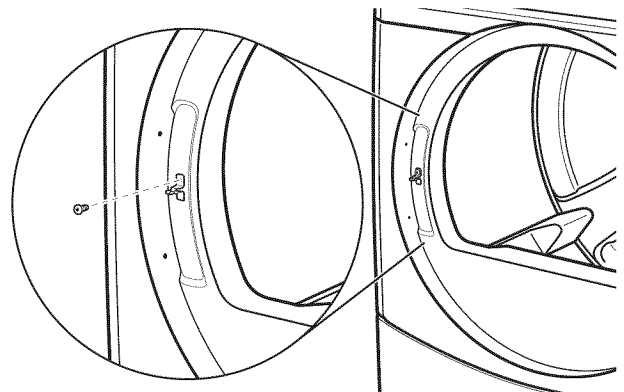


Cómo invertir el tope

1. Use un destornillador de hoja plana pequeño para quitar la cinta del tapón de la abertura de la puerta de la secadora. Deslice la hoja del destornillador debajo de los tapones, sin rayar la superficie de la secadora, y levante el tapón.



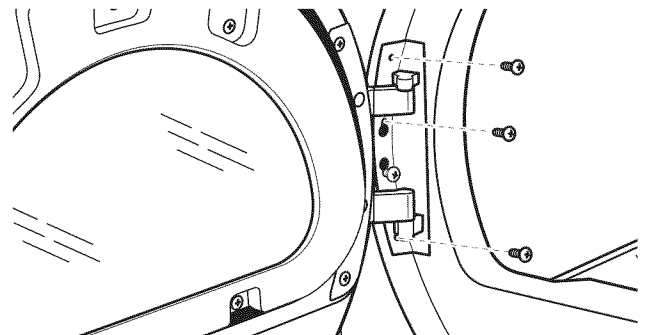
2. Quite el tope con un destornillador Phillips.



3. Inserte el tope en el lado opuesto.

Vuelva a instalar la puerta

1. Inserte parcialmente el tercer tornillo desde la parte superior; luego deslice la bisagra sobre este tornillo mientras engancha la bisagra en el orificio frontal del panel. Vuelva a sujetar la puerta al panel frontal de la secadora con los 3 tornillos restantes.



2. Fíjese si hay huellas digitales en el vidrio. Limpie si es necesario.

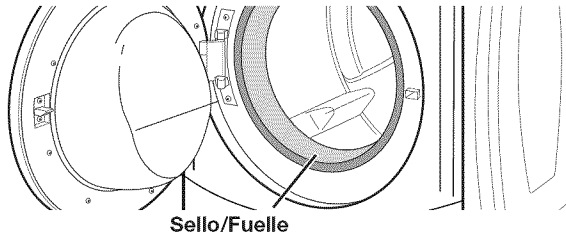
3. Cierre la puerta y compruebe que se cierra con seguridad.

INSTRUCCIONES DE MANTENIMIENTO DE LA LAVADORA/ SECADORA APILADAS

Lavadora

Limpieza del sello/fuelle de la puerta

1. Abra la puerta de la lavadora y quite cualquier prenda o artículo que estuviera dentro de la misma.
2. Inspeccione la puerta interior de vidrio. Si hay desechos en ésta, límpiela con un paño húmedo.
3. Inspeccione el sello/fuelle de color que se encuentra entre la abertura de la puerta y la canasta para detectar si hay áreas manchadas. Empuje el sello/fuelle hacia atrás para inspeccionar todas las áreas debajo del sello/fuelle y controle si hay objetos extraños.



4. Si encuentra áreas manchadas, limpie estas áreas del sello/fuelle:
 - a) Mezcle una solución diluida utilizando 3/4 taza (177 mL) de blanqueador líquido con cloro y 1 gal. (3,8 L) de agua tibia del grifo.
 - b) Limpie el área del sello/fuelle con la solución diluida y un paño húmedo.
 - c) Déjelas reposar durante 5 minutos.
 - d) Limpie el área meticulosamente con un paño seco y deje que el interior de la lavadora se seque al aire con la puerta abierta.

IMPORTANTE:

- Use guantes de goma cuando limpie por períodos prolongados.
- Vea las instrucciones de uso adecuado provistas por el fabricante del blanqueador.

Instrucciones de mantenimiento:

Esta lavadora tiene un ciclo especial que utiliza mayores volúmenes de agua junto con blanqueador líquido con cloro para limpiar meticulosamente el interior de su lavadora.

NOTAS:

- Lea estas instrucciones completamente antes de comenzar el proceso de limpieza.
- Si fuera necesario, el ciclo de limpieza puede ser interrumpido presionando dos veces el botón inferior derecho (Ciclo rápido – QUICK CYCLE). Sin embargo, el ciclo no se detendrá inmediatamente. La lavadora continuará con varios pasos de enjuague y desagüe para asegurar que se haya enjuagado todo el blanqueador de la lavadora.

Para limpiar el interior de la lavadora:

1. Abra la puerta de la lavadora y quite cualquier prenda o artículo que estuviera dentro de la misma.
2. **Use blanqueador líquido con cloro:**
Abra el cajón del depósito y agregue inmediatamente 2/3 de taza (160 mL) de blanqueador líquido con cloro en el compartimiento del blanqueador.
NOTA: No agregue nada de detergente. Si usa más de 2/3 de taza (160 mL) de blanqueador, el producto se dañará con el tiempo.
3. Cierre la puerta de la lavadora y la gaveta del depósito.
4. Para poner a funcionar el ciclo de Limpiar la lavadora (Washer Cleanout), primero ingrese al “Modo de servicio”. A continuación, presione y sostenga el botón inferior derecho (Ciclo rápido – QUICK CYCLE) por 2 segundos. Cuando la pantalla completa esté destellando, presione el botón central derecho (Colores brillantes – BRIGHTS).
Para salir del modo de servicio y activar el ciclo de limpiar la lavadora, presione el botón de Colores brillantes (BRIGHTS) y luego gire la llave.
NOTA: La puerta de desbloqueará, la canasta dará 1/2 giro y luego la puerta de desbloqueará, se bloqueará nuevamente y el ciclo de Limpiar la lavadora (Washer Cleanout) continuará.
 - La lavadora no se llenará, pero la canasta rotará mientras la lavadora hace un ciclo corto de detección. Esto tardará aproximadamente 3 minutos.
5. El ciclo determinará si hay ropa u otros artículos en la lavadora.
 - a) Si no se detectan artículos en la lavadora, ésta procederá al paso 7.
 - b) Si se detecta algún artículo en la lavadora, la pantalla mostrará “F-34”. La puerta se desbloqueará entonces.
 - Ingrese al modo de servicio y luego presione y sostenga el botón inferior derecho (Ciclo rápido – QUICK CYCLE) para anular el código de falla. Después repita los pasos 1, 3 y 4 para comenzar nuevamente el ciclo.
6. Una vez que haya comenzado el ciclo, deje que éste finalice.
7. Una vez que haya finalizado el ciclo, deje la puerta levemente abierta para que haya una mejor ventilación y secado del interior de la lavadora.

INSTRUCCIONES DE MANTENIMIENTO DE LA LAVADORA/ SECADORA APILADAS

Lavadora

Siempre haga lo siguiente para mantener la frescura de la lavadora:

- Use solamente un detergente de alto rendimiento (HE).
- Deje la puerta levemente abierta después de cada ciclo para permitir una mejor ventilación y secado del interior de la lavadora.
- Limpie la lavadora cada mes usando el Procedimiento de mantenimiento para la lavadora, usando 2/3 taza (160 mL) de blanqueador líquido con cloro.
- Si el procedimiento no mejora suficientemente la frescura de la lavadora, sírvase evaluar su instalación y las condiciones de uso para detectar otras causas.

Limpieza externa

Use un paño suave y húmedo o una esponja para limpiar cualquier derrame. De vez en cuando, limpie el exterior de su lavadora para que se vea como nueva. Use jabón suave y agua. No use productos abrasivos.

Limpieza del cajón del depósito

El cajón del depósito es desmontable para facilitar la limpieza.

1. Inserte un destornillador de hoja plana en el dispositivo para desenganchar el seguro y desbloquee el cajón del depósito para quitarlo. Quite el cajón del depósito.
2. Quite los insertos (el sifón de los compartimientos del suavizante y del blanqueador).
3. Lave las piezas en el agua del grifo.

NOTA: No lave los componentes en la lavavajillas.

4. Vuelva a colocar los insertos y coloque nuevamente el depósito en el cajón.

Mangueras de entrada de agua

Reemplace las mangueras de entrada después de 5 años de uso para reducir el riesgo de que fallen. Inspeccione periódicamente y cambie las mangueras si se hallan protuberancias, torceduras, cortes, desgaste o pérdidas de agua.

Cuando reemplace las mangueras de entrada del agua, anote la fecha de reposición.

Secadora

Instrucciones de mantenimiento:

- Limpie el filtro de pelusa antes y después de cada ciclo.
- Cómo quitar la pelusa acumulada:

En el interior de la carcasa de la secadora:

Según el uso de la secadora, se debe quitar la pelusa cada 2 años, o con más frecuencia. La limpieza deberá efectuarla una persona calificada.

En el ducto de escape:

Según el uso de la secadora, se debe quitar la pelusa cada 2 años o con más frecuencia.

- Mantenga el área alrededor de la secadora limpia y libre de materiales combustibles, gasolina y otros vapores y líquidos inflamables.
- Mantenga el área donde está la secadora despejada y libre de artículos que pudieran obstruir el flujo de aire para la combustión y la ventilación.

Si la secadora no funciona, revise lo siguiente:

- Que el suministro eléctrico esté conectado.
- Que el cortacircuitos no se disparó o el fusible de la casa no está quemado.
- Que la puerta esté cerrada. Escuche detenidamente para oír cuando se active el interruptor de la puerta.
- Que se haya presionado con firmeza el botón de selección de ciclos.
- Para las secadoras a gas, revise que las válvulas de cierre del suministro de gas estén en la posición abierta.

SI NECESITA AYUDA

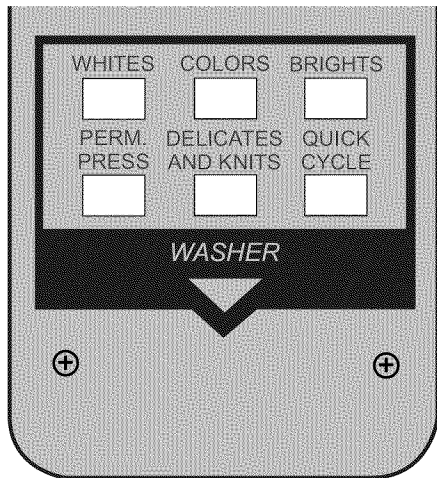
Póngase en contacto con su distribuidor autorizado de lavandería comercial de Maytag®. Para ubicar a su distribuidor autorizado de aparatos de lavandería comercial de Maytag®, o para solicitar información por internet, visite www.MaytagCommercialLaundry.com.

Si no puede localizar al distribuidor, el Centro de apoyo para lavandería comercial contestará cualquier pregunta que usted tenga acerca del funcionamiento y mantenimiento de la lavadora/secadora que no esté cubierta en las "Instrucciones de instalación".

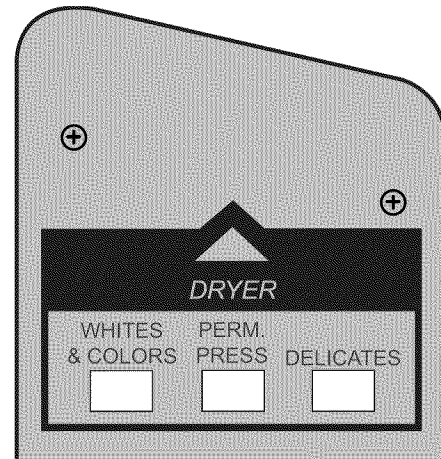
Simplemente llame al 1-800 NO BELTS (1-800-662-3587) — la llamada es gratuita.

Cuando llame, usted necesitará tener a mano los números del modelo y de serie de la lavadora/secadora. Ambos números se encuentran en la placa de clasificación de serie que está ubicada en la cavidad de la puerta de la secadora.

INSTRUCCIONES DE PROGRAMACIÓN DEL CONTROL ELECTRÓNICO



Control de la lavadora



Control de la secadora

NOTA: Después de haber instalado y enchufado la lavadora/secadora, se mostrará "0 MINUTES" (0 Minutos) en las partes de la pantalla para la lavadora y la secadora. Después de que se hayan abierto y cerrado las puertas de la lavadora y de la secadora, la pantalla mostrará el precio para cada máquina. En las lavadoras/secadoras que se hayan programado para dar ciclos gratuitos, destellará "SELECT CYCLE" (Seleccionar ciclo) en las secciones de la pantalla.

1. Modelos PD: Inserte monedas hasta que destelle "SELECT CYCLE" (Seleccionar ciclo) en la parte de la pantalla de la lavadora o secadora que se va a poner a funcionar.

Modelos PR: Se necesita una tarjeta de cobro automático en lugar de monedas. Pueden usarse los sistemas de tarjeta de pago automático de generación 1 y 2. Sin embargo, cuando el sistema de tarjeta de pago automático de generación 2 es utilizado, los controles se fijarán automáticamente en el modo Mejorado para tarjetas de pago automático (J. Ed.). En el modo de Débito mejorado (Enhanced Debit), el saldo de la tarjeta se mostrará en la pantalla cuando ésta se inserte en el lector.

2. La puerta de la lavadora/secadora que se va a usar debe cerrarse antes de hacer la selección de ciclo.

3. Presione el botón del ajuste de tela para el ciclo deseado de la lavadora/secadora. Después de que ha comenzado el ciclo, el tiempo aparecerá en la pantalla e iniciará la cuenta regresiva.

4. Si se interrumpe un ciclo al abrir la puerta o debido a un corte de corriente, destellará en la pantalla "RESELECT CYCLE" (Vuelva a seleccionar el ciclo). Para reiniciar la lavadora/secadora, cierre la puerta y vuelva a seleccionar el ciclo deseado.

NOTA: Cuando la secadora se haya programado para otorgar ciclos gratuitos, un ciclo continuo de la secadora se anulará si se abre la puerta.

Información general sobre la lavadora/secadora

SE MUESTRA UN MENSAJE DE "OUT OF ORDER" (FUERA DE SERVICIO), SEGUIDO POR UN CÓDIGO DE FALLA O DE DIAGNÓSTICO, EN LA PANTALLA: Esta condición indica que la lavadora o la secadora no puede funcionar. Los códigos de diagnóstico que se muestran en la parte superior de la pantalla pertenecen a la sección de la secadora y los códigos de diagnóstico que se muestran en la parte inferior de la pantalla corresponden a la sección de la lavadora. Los códigos de diagnóstico que se muestran en ambas secciones de la pantalla corresponden al sistema de control de la lavadora y de la secadora.

SE MUESTRA "0 MINUTES" (0 MINUTOS) EN LA PANTALLA: Esto indica que se ha completado el ciclo y que la lavadora/secadora no se puede operar. Las monedas que se hayan puesto o los ingresos de tarjeta de pago automático permanecerán en el depósito, pero no se pueden utilizar hasta que se abra y se cierre la puerta, lo cual reanuda el funcionamiento normal. Si un interruptor de puerta ha fallado y por esto permanece "0 MINUTOS" (0 MINUTOS) en la pantalla después de que se haya abierto y cerrado la puerta, el interruptor debe reemplazarse antes de que se pueda continuar con el funcionamiento normal.

INICIO EN FRÍO (La primera vez que se use) –
La lavadora/secadora se ha programado de fábrica de la manera siguiente:

Lavadora	Período de lavado de 11 minutos
	Precio de lavado de \$1,75 (modelos PD)
	Precio de lavado de \$0,00 (modelos PR)
	3 enjuagues (no está activado el enjuague adicional)
Secadora	5 minutos por cada moneda de 25 centavos para los modelos PD
	45 minutos de secado para los modelos PR
	Precio de secado de \$1,50 (ciclo fijo con tiempo adicional – modelos PD)
	Precio de secado de \$0,00 (ciclo fijo – modelos PR)

INSTRUCCIONES DE PROGRAMACIÓN DEL CONTROL ELECTRÓNICO

INICIO CON AGUA TIBIA (después de un corte de corriente) – Unos segundos después de que se reestablezca la electricidad, si un ciclo se encontraba funcionando cuando ocurrió el corte de corriente, destellará “RESELECT CYCLE” (Vuelva a seleccionar el ciclo), lo cual indica que se necesita presionar un botón para que la lavadora o la secadora vuelva a funcionar.

BLOQUEO DE LA PUERTA DE LA LAVADORA – Antes de que comience un ciclo, se realiza una rutina de bloqueo/desbloqueo/bloqueo del seguro de la puerta y después se pone en marcha el ciclo. La puerta permanecerá con seguro hasta el fin de un ciclo o aproximadamente por 2 minutos después de un corte de corriente.

PRECIOS – Después de que se ha abierto y cerrado la puerta siguiendo la finalización de un ciclo, la pantalla indica el precio del ciclo (a menos que se haya programado para un funcionamiento gratuito, en cuyo caso se mostrará “SELECT CYCLE” [Seleccionar ciclo]). A medida que se ponen las monedas o se reciben los pagos con tarjeta de pago automático, la pantalla cambiará para guiar al usuario en el inicio de un ciclo.

Hay cuatro (4) tipos de precios para la secadora:

Precio fijo de “venta”

Una secadora que está programada para el funcionamiento de un “Ciclo fijo” solamente puede aceptar tiempo adicional que se haya acumulado en incrementos que sean igual a la duración de un ciclo de secado completo. Se puede comprar un máximo de 99 minutos y no se da crédito adicional por monedas adicionales una vez que aparece 99 minutos en la pantalla.

Precio del acumulador

Si el precio se ha fijado a una moneda 1, el precio del acumulador entra en efecto. El tiempo del ciclo se puede comprar con una moneda a la vez (modelos PD), hasta un tiempo máximo de 99 minutos.

Ciclo fijo con precio por tiempo adicional

Una secadora que esté programada con la habilidad de “Tiempo adicional”, permitirá que se agregue tiempo a un ciclo de secado existente, en incrementos que sean igual al número de minutos de secado por una moneda de 25 centavos (moneda 1), hasta 99 minutos, sin importar el costo requerido para poner la secadora en marcha. No se da crédito por monedas o tarjeta de pago automático cuando el control muestre 99 minutos en la pantalla.

Modelos PR: En el modo mejorado de tarjeta de pago automático, el precio por tiempo adicional se puede fijar de manera independiente (consulte VALOR DE MONEDA 2), y el tiempo adicional se calcula según la siguiente ecuación:

$$\text{Tiempo otorgado por compra de tiempo adicional} = \frac{\text{precio de compra de tiempo adicional}}{\text{precio completo por ciclo}} \times \text{duración de ciclo completo}$$

Los incrementos con centavos no están permitidos en las compras de tiempo adicional.

CICLOS GRATUITOS – Esta opción se fija programando el precio en cero. Cuando esto ocurre, aparecerá “SELECT CYCLE” (Seleccionar ciclo) en lugar del precio del ciclo. Cualquier ciclo que haya comenzado como un ciclo gratuito se terminará automáticamente cuando se abra la puerta.

LISTA PARA TARJETA DE PAGO AUTOMÁTICO –

La lavadora/secadora está lista para las tarjetas de pago automático. Aceptará una variedad de sistemas de tarjeta de pago automático, pero NO se entrega con un lector de tarjeta de pago automático. Consulte al fabricante de lectores de tarjeta de pago automático para obtener información sobre la preparación adecuada de la lavadora/secadora. Para los modelos que han sido convertidos para el sistema de tarjeta de pago automático de generación 1, cada señal de la tarjeta es equivalente a una moneda (moneda 1).

Procedimientos de programación del control

IMPORTANTE: Lea todas las instrucciones antes de usarla.

Modelos PD/PR: Inserte la llave del interruptor de servicio y gírela hacia la izquierda.

Modelos PR: Una vez que se haya instalado el lector de tarjeta de pago automático de generación 2 (según las instrucciones del fabricante del lector), se pueden cambiar los modos de programación solamente insertando la tarjeta de programación (provista por el fabricante del lector) en la ranura para tarjeta. Si inserta y gira la llave del interruptor de servicio, solamente obtendrá acceso al modo de servicio.

La lavadora/secadora se encuentra ahora en el modo de programación. Los botones inferiores de selección de telas y la sección inferior de la pantalla se usan para programar el control digital de la lavadora. Los tres botones superiores de selección de telas y la sección superior de la pantalla se usan para programar los controles de la secadora.

La pantalla puede incluir 4 números y/o letras y un punto decimal en ambas secciones de la misma. Éstos se usan para indicar los códigos de la programación y los valores de los códigos relacionados, disponibles para el uso de la programación de la lavadora/secadora.

Cómo utilizar los botones para programar los controles

1. El botón inferior izquierdo (Planchado permanente – PERM. PRESS) se usa para ajustar los valores asociados con los códigos de la lavadora; el botón superior izquierdo (Ropa blanca y de color – WHITES & COLORS) es para la secadora. Al presionar el botón cambiará el valor en incrementos. Se puede hacer ajustes rápidamente si se mantiene presionado el botón.
2. El botón inferior medio (Ropa delicada y tejidos de punto – DELICATES AND KNITS) mostrará los códigos de programación. El presionar este botón, se mostrará el siguiente código de programación disponible tanto para la lavadora como para la secadora. Algunos códigos de programación son específicamente para la lavadora o la secadora y por lo tanto, no se mostrarán en ambas secciones de la pantalla. El mantener presionado el botón inferior medio (Ropa delicada y tejidos de punto – DELICATES AND KNITS) mostrará automáticamente los códigos de programación a una velocidad mayor a 1 código por segundo.
3. El botón inferior derecho (Ciclo rápido – QUICK CYCLE) se usa para seleccionar o anular opciones de la lavadora; el botón superior derecho (Ropa delicada – DELICATES) se usa para seleccionar o anular opciones de la secadora.

INSTRUCCIONES DE PROGRAMACIÓN DEL CONTROL ELECTRÓNICO

Comience la programación de funcionamiento

Las lavadoras/secadoras son programadas previamente en la fábrica y no requieren programación adicional. Sin embargo, si desea cambiar los ajustes, siga la guía “Códigos de programación” (Set-Up Codes) en la siguiente página.

El código al comienzo de cada segmento es el ajuste de fábrica por defecto para los modelos PD y es el mismo para los modelos PR, a menos que se indique lo contrario.

El código de programación se indica con uno o los dos caracteres al lado izquierdo. El valor del código de programación se indica con los dos o tres caracteres al lado derecho.

Códigos de programación

Código	Explicación
6 07	PRECIO DEL CICLO COMÚN (LAVADORA)
6 07	Representa el número de monedas de veinticinco centavos (moneda 1) para hacer comenzar la lavadora; se puede ajustar de 0 a 39. (Ver Valor de moneda 1 – VALUE OF COIN 1). Avance de 0 a 39 presionando el botón inferior izquierdo (Planchado permanente – PERM. PRESS). Ajuste de fábrica de 7 monedas de 25 centavos: \$1.75.
6 00	MODELOS PR ÚNICAMENTE: Ajuste de fábrica de 6 00, o 0 monedas de 25 centavos. <ul style="list-style-type: none"> • Presione el botón inferior medio (Ropa delicada y tejidos de punto – DELICATES AND KNITS) una vez para avanzar al siguiente código.
606	PRECIO DEL CICLO COMÚN (SECADORA)
606	Representa el número de monedas de 25 centavos (moneda 1) necesarias para hacer comenzar la lavadora; se puede ajustar de 0 a 39. (Vea Valor de moneda 1 – VALUE OF COIN 1). Avance de 0 a 39 presionando el botón superior izquierdo (Ropa blanca y de color – WHITES & COLORS). Ajuste de fábrica de 6 monedas de 25 centavos: \$1.50.
600	MODELOS PR: Ajuste de fábrica de 6 00 ó 0 monedas de 25 centavos. <ul style="list-style-type: none"> • Presione el botón medio inferior de Ropa delicada y tejidos de punto (DELICATES AND KNITS) una vez para ver el siguiente código.
7 11	DURACIÓN DEL LAVADO (LAVADORA)
7 11	Este es el número de minutos para el ciclo de Lavado (WASH). La lavadora viene prefijada de fábrica en 11 minutos. Elija de 9 a 17 minutos presionando el botón inferior izquierdo (Planchado permanente – PERM. PRESS). <ul style="list-style-type: none"> • Presione el botón inferior medio (Ropa delicada y tejidos de punto – DELICATES AND KNITS) una vez para avanzar al siguiente código.

Código	Explicación
705	TIEMPO DE SECADO COMÚN (SECADORA)
705	MODELOS PD: Representa el número de minutos por cada moneda de 25 centavos (moneda 1). Ajuste de fábrica de 5 minutos por cada moneda. Ejemplo: 6 monedas de 25 centavos x 5 minutos = 30 minutos. Al presionar el botón superior izquierdo (Ropa blanca y de color – WHITES & COLORS), el valor se ajusta de 1 a 99 minutos.
745	MODELOS PR: Representa la duración del ciclo para los ciclos gratuitos. Por ejemplo: “7 45” = 45 minutos. <ul style="list-style-type: none"> • Presione el botón medio inferior de Ropa delicada y tejidos de punto (DELICATES AND KNITS) una vez para ver el siguiente código.
8 00	OPCIÓN DE ENJUAGUE ADICIONAL (LAVADORA) Esta opción NO SE SELECCIONA “00” o se SELECCIONA “ar”.
8 00	No seleccionada “00”.
8 Ar	Seleccionada “ar”. No se puede combinar con la opción de enjuague del Ciclo superior (Super Cycle). <ul style="list-style-type: none"> • Presione el botón inferior derecho (Ciclo rápido – QUICK CYCLE) una vez para cambiar esta selección. • Presione el botón inferior medio (Ropa delicada y tejidos de punto – DELICATES AND KNITS) una vez para avanzar al siguiente código.
800	TIPO DE PRECIOS DE SECADO (SECADORA)
800	Ciclo fijo con tiempo adicional. Para ver una descripción detallada, vea “Información general sobre la lavadora/secadora para el usuario”.
8FC	MODELOS PR ÚNICAMENTE: Ajuste de fábrica de FC (Precio fijo). Ciclo fijo. Para ver una descripción detallada, vea “Información general sobre la lavadora/secadora para el usuario”. Use el botón derecho superior de Ropa delicada (DELICATES) para cambiar esta selección. <ul style="list-style-type: none"> • Presione el botón medio inferior de Ropa delicada y tejidos de punto (DELICATES AND KNITS) una vez para ver el siguiente código.
9 00	OPCIÓN DE CONTADOR DE CICLOS Esta opción NO SE SELECCIONA “00” o se SELECCIONA “0C”.
9 00	No seleccionada “00”.
9 0C	Seleccionada “0C” y no se puede anular. <ul style="list-style-type: none"> • Presione el botón inferior derecho (Ciclo rápido – QUICK CYCLE) 3 veces consecutivas para seleccionar “0C”. Una vez que se seleccione “0C”, no se puede anular la opción. • Presione el botón inferior medio (Ropa delicada y tejidos de punto – DELICATES AND KNITS) una vez para avanzar al siguiente código.

INSTRUCCIONES DE PROGRAMACIÓN DEL CONTROL ELECTRÓNICO

Si se selecciona el contador de ciclos (9 0C), lo siguiente es verdad:

1 00	Ciclos en CIENTOS	$1 \underline{02} = 200$
2 00	Ciclos en UNIDADES	$2 \underline{25} = 25$
NÚMERO TOTAL DE CICLOS = 225		

Esto es "SÓLO PARA VERSE" y no se puede borrar.

- Presione el botón inferior medio (Ropa delicada y tejidos de punto – DELICATES AND KNITS) una vez para avanzar al siguiente código.

Código	Explicación
1. 00	OPCIÓN DE CONTADOR DE DINERO Esta opción NO SE SELECCIONA "00" (Apagado) o se SELECCIONA "0C" (Encendido).
1. 00	No seleccionada "00" (Apagado).
1. 0C	Seleccionada "0C" (Encendido). • Presione el botón inferior derecho (Ciclo rápido – QUICK CYCLE) 3 veces consecutivas para seleccionar "0C" (Encendido) y 3 veces consecutivas para deseccionarla (No seleccionada "00" – Apagado). El contador pone la cuenta en cero cuando se cambia de "OFF" (Apagado) a "ON" (Encendido).
1. C0	Seleccionada "C0" (Encendido) y no se puede anular. • Para seleccionar "C0" (Encendido) y que no se pueda anular, seleccione primero "0C" y luego, en menos de 2 segundos, presione dos veces el botón inferior medio (Ropa delicada y tejidos de punto – DELICATES & KNITS), el botón inferior izquierdo de Planchado permanente (PERMANENT PRESS) una vez y luego salga del modo de programación. • Presione el botón inferior medio (Ropa delicada y tejidos de punto – DELICATES AND KNITS) una vez para avanzar al siguiente código.

2. 00	OPCIONES DE PRECIOS ESPECIALES Esta opción NO SE SELECCIONA "00" (Apagado) o se SELECCIONA "SP" (Encendido).
2. 00	No seleccionada "00" (Apagado) y el próximo código disponible será A.00.
2. SP	Seleccionada "SP" (Encendido). • Presione el botón inferior derecho (Ciclo rápido – QUICK CYCLE) una vez para cambiar esta selección.

Si se selecciona la **OPCIÓN DE PRECIOS ESPECIALES**, tendrá acceso a los códigos "3.XX" a "9.XX".

- Presione el botón inferior medio (Ropa delicada y tejidos de punto – DELICATES AND KNITS) una vez para avanzar al siguiente código.

Si se selecciona el contador de dinero (1.0C ó 1.C0), lo siguiente es verdad:

3 00	Dólares en CIENTOS	$3 \underline{01} = \$100.00$
4 00	Dólares en UNIDADES	$4 \underline{68} = \$ 68.00$
5 00	Número de CENTAVOS	$5 \underline{75} = \$ 00.75$

TOTAL = \$168.75

OPCIONES 3.XX A 9.XX A USAR SI SE SELECCIONA UN PRECIO ESPECIAL

Código	Explicación
3. 07	PRECIO ESPECIAL DEL CICLO (LAVADORA)
3. 07	Representa el número de monedas de veinticinco centavos (moneda 1) para hacer comenzar la lavadora; se puede ajustar de 0 a 39. (Ver Valor de moneda 1 – VALUE OF COIN 1). • Avance de 0 a 39 presionando el botón inferior izquierdo (Planchado permanente – PERM. PRESS). Ajuste de fábrica de 7 monedas de 25 centavos = \$1.75
3. 00	MODELOS PR ÚNICAMENTE: Ajuste de fábrica de 0 monedas de 25 centavos. • Presione el botón inferior medio (Ropa delicada y tejidos de punto – DELICATES AND KNITS) una vez para avanzar al siguiente código.
3.06	PRECIO ESPECIAL DEL CICLO (SECADORA)
3.06	Representa el número de monedas de 25 centavos (moneda 1) para hacer comenzar la lavadora; se puede ajustar de 0 a 39. (Vea Valor de moneda 1 – VALUE OF COIN 1). • Avance de 0 a 39 presionando el botón superior izquierdo (Ropa blanca y de color – WHITES & COLORS). Ajuste de fábrica de 6 monedas de 25 centavos = \$1.50.
3.00	MODELOS PR: Ajuste de fábrica de 0 monedas de 25 centavos. • Presione el botón medio inferior de Ropa delicada y tejidos de punto (DELICATES AND KNITS) una vez para ver el siguiente código.
4.05	TIEMPO DE SECADO ESPECIAL (SECADORA)
4.05	MODELOS PD: Representa el número de minutos por cada moneda de 25 centavos (moneda 1). • Ajuste de fábrica de 5 minutos por cada moneda. Ejemplo: 6 monedas de 25 centavos x 5 minutos = 30 minutos. • Al presionar el botón superior izquierdo (Ropa blanca y de color – WHITES & COLORS), el valor se puede ajustar de 1 a 99 minutos.
4.45	MODELOS PR: Representa la duración fija del ciclo en minutos. Ejemplo: "4 45" = 45 minutos. • Presione el botón medio inferior de Ropa delicada y tejidos de punto (DELICATES AND KNITS) una vez para ver el siguiente código.
5. 00	RELOJ DE LA HORA DEL DÍA, MINUTOS
5. 00	Este es el Reloj de la hora del día (TIME-OF-DAY CLOCK), para ajustar los minutos: seleccione de 0 a 59 minutos presionando el botón inferior izquierdo (Planchado permanente – PERM. PRESS). • Presione el botón inferior medio (Ropa delicada y tejidos de punto – DELICATES AND KNITS) una vez para avanzar al siguiente código.

INSTRUCCIONES DE PROGRAMACIÓN DEL CONTROL ELECTRÓNICO

Código	Explicación
6. 00	RELOJ DE LA HORA DEL DÍA, HORAS NOTA: Usa el reloj de formato militar o 24 horas.
6. 00	Este es el Reloj de la hora del día (TIME-OF-DAY CLOCK), para ajustar las horas: seleccione de 0 a 23 horas presionando el botón inferior izquierdo (Planchado permanente – PERM. PRESS). <ul style="list-style-type: none"> • Presione el botón inferior medio (Ropa delicada y tejidos de punto – DELICATES AND KNITS) una vez para avanzar al siguiente código.
7. 00	HORA EN QUE EMPIEZA EL PRECIO ESPECIAL NOTA: Usa el reloj de formato militar o 24 horas.
7. 00	Esta es la hora de inicio; de 0 a 23 horas. <ul style="list-style-type: none"> • Seleccione Hora de comienzo (START HOUR) presionando el botón inferior izquierdo de Planchado permanente (PERM. PRESS). • Presione el botón inferior medio (Ropa delicada y tejidos de punto – DELICATES AND KNITS) una vez para avanzar al siguiente código.
8. 00	HORA EN QUE TERMINA EL PRECIO ESPECIAL NOTA: Usa el reloj de formato militar o 24 horas.
8. 00	Ésta es la hora en que termina; de 0 a 23 horas. <ul style="list-style-type: none"> • Seleccione Hora de parada (STOP HOUR) presionando el botón inferior izquierdo de Planchado permanente (PERM. PRESS). • Presione el botón inferior medio (Ropa delicada y tejidos de punto – DELICATES AND KNITS) una vez para avanzar al siguiente código.
9. 10	DÍA DE PRECIO ESPECIAL
9. 10	Esto representa el día de la semana y si se ha seleccionado un precio especial para ese día. Un número seguido por un "0" indica que no se ha hecho una selección para ese día en particular (9.10). Un número seguido por la letra "S" indica que se ha hecho una selección para ese día (9.1S). Para cambiar el valor de "0" y "S", use el botón derecho inferior de Ciclo rápido (QUICK CYCLE). Los días de la semana (de 1 a 7) se seleccionan presionando el botón inferior izquierdo de Planchado permanente (PERM. PRESS).

Quando salga de la programación del código "9", la pantalla debe mostrar el día de la semana actual:

PANTALLA	DÍA DE LA SEMANA	CÓDIGO (seleccionado)
10	Día 1=Domingo	1S
20	Día 2=Lunes	2S
30	Día 3=Martes	3S
40	Día 4=Miércoles	4S
50	Día 5=Jueves	5S
60	Día 6=Viernes	6S
70	Día 7=Sábado	7S

- Presione el botón inferior medio (Ropa delicada y tejidos de punto – DELICATES AND KNITS) una vez para avanzar al siguiente código.

Código	Explicación
A. 00	OPCIÓN PARA VER EL DEPÓSITO Esta opción NO SE SELECCIONA "00" (Apagado) o se SELECCIONA "SC" (Encendido).
A. 00	No seleccionada "00" (Apagado).
A. SC	Seleccionada "SC" (Encendido). <ul style="list-style-type: none"> • Presione el botón inferior derecho (Ciclo rápido – QUICK CYCLE) una vez para cambiar esta selección. Cuando se seleccione, se podrán ver las cuentas de dinero y/o ciclos (si se selecciona[n] la[s] opción [opciones] de contador), cuando se retire la caja de monedas. • Presione el botón inferior medio (Ropa delicada y tejidos de punto – DELICATES AND KNITS) una vez para avanzar al siguiente código.
b. 05	VALOR DE LA MONEDA 1
b. 05	Esto representa el valor de la moneda 1 en el número de monedas de 5 centavos: 05 = \$0.25. <ul style="list-style-type: none"> • Al presionar el botón izquierdo inferior de Planchado permanente (PERM. PRESS), tendrá la opción de 1 a 199 monedas de 5 centavos. • Presione el botón inferior medio (Ropa delicada y tejidos de punto – DELICATES AND KNITS) una vez para avanzar al siguiente código.
C. 20	VALOR DE MONEDA 2/VALOR POR CICLO ADICIONAL DE LA SECADORA
C. 20	Esto representa el valor de la moneda 2 en el número de monedas de 5 centavos: 20 = \$1.00.
C. 05	MODELOS PR: Ajuste de fábrica de \$0.25. Para los modelos que usan Pago con tarjeta de pago automático mejorado, este campo representa el valor de tiempo adicional en monedas de 5 centavos. <ul style="list-style-type: none"> • Al presionar el botón inferior izquierdo de Planchado permanente (PERM. PRESS), tendrá la opción de 1 a 199 monedas de 5 centavos. • Presione el botón inferior medio (Ropa delicada y tejidos de punto – DELICATES AND KNITS) una vez para avanzar al siguiente código.
E. 00	OPCIÓN DE AGREGAR MONEDAS Esta opción NO SE SELECCIONA "00" (Apagado) o se SELECCIONA "AC" (Encendido). Esta opción hace que la pantalla del cliente muestre el número de monedas (moneda 1) que se deben poner, en lugar de la cantidad en dólares y centavos. El número de la pantalla cambiará a medida que se acepten las monedas.
E. 00	No seleccionada "00" (Apagado).
E. AC	Seleccionada "AC" (Encendido). <ul style="list-style-type: none"> • Presione el botón inferior derecho (Ciclo rápido – QUICK CYCLE) 3 veces consecutivas para cambiar esta selección. • Presione el botón inferior medio (Ropa delicada y tejidos de punto – DELICATES AND KNITS) una vez para avanzar al siguiente código.

INSTRUCCIONES DE PROGRAMACIÓN DEL CONTROL ELECTRÓNICO

Código	Explicación	Código	Explicación
F. 00	OPCIÓN DE PRECIO MEJORADO (LAVADORA)	J. Cd	MODO DE PAGO (OPCIÓN DE MONEDA/TARJETA DE PAGO AUTOMÁTICO)
F. 00	No seleccionada "00" (Apagado).	J. Cd	Se han seleccionado tanto moneda como el pago con tarjeta de pago automático. Presione el botón inferior derecho (Ciclo rápido – QUICK CYCLE) 3 veces consecutivas para cambiar esta selección.
F. CP	Precio según el ciclo activado. Esta opción permite la configuración de distintos precios para los ciclos de lavado con agua fría, tibia y caliente.	J. C_	Pago con monedas activado, pago con tarjeta de pago automático desactivado. Presione el botón inferior derecho (Ciclo rápido – QUICK CYCLE) 3 veces consecutivas para cambiar esta selección.
F. SU	Precio de ciclo super activado. Esta opción permite que los clientes mejoren los ciclos depositando más dinero. Aparecerán en la pantalla los códigos para fijar "H." y "h." solamente cuando esté activada esta opción. <ul style="list-style-type: none"> • Presione el botón inferior derecho (Ciclo rápido – QUICK CYCLE) para cambiar esta selección. • Presione el botón inferior medio (Ropa delicada y tejidos de punto – DELICATES AND KNITS) una vez para avanzar al siguiente código. 	J. _d	Modelos PR: Ajuste de fábrica por defecto en J_ _d Tarjeta de pago automático seleccionada, pago con monedas desactivado. Presione el botón inferior derecho (Ciclo rápido – QUICK CYCLE) 3 veces consecutivas para cambiar esta selección.
H. 01	PRECIO PARA MEJORAR AL CICLO SUPER (SUPER CYCLE) (LAVADORA) (Se saltea a menos que se active el precio del Ciclo super.)	J. Ed	El modo mejorado de tarjeta de pago automático se elige automáticamente cuando un lector de tarjeta de generación 2 se instala en la lavadora/secadora. La opción "Ed" no se puede seleccionar ni anular manualmente. <ul style="list-style-type: none"> • Presione el botón inferior medio (Ropa delicada y tejidos de punto – DELICATES AND KNITS) una vez para avanzar al siguiente código.
H. 01	Esto representa el número de monedas 1 que se necesita para cambiar de un ciclo básico a uno super. <ul style="list-style-type: none"> • Avance de 0 a 39 presionando el botón inferior izquierdo (Planchado permanente – PERM. PRESS). • Presione el botón inferior medio (Ropa delicada y tejidos de punto – DELICATES AND KNITS) una vez para avanzar al siguiente código. 	L. 00	OPCIÓN DE SUSPENSIÓN DE PRECIOS Esta opción hace que la pantalla del cliente muestre "ADD" (Agregar) o "AVAILABLE" (Disponible) en lugar de la cantidad de dinero que hay que agregar. (Se usa principalmente en las instalaciones para tarjeta de pago automático.)
h. 01	TIPO DE CICLO SUPER (SUPER CYCLE) (LAVADORA) (Se saltea a menos que se active el precio del Ciclo super.)	L. 00	No seleccionada "00" (Apagado).
h. 01	Esto representa la opción para mejorar el Ciclo super. <ul style="list-style-type: none"> • Presione el botón inferior izquierdo de Planchado permanente (PERM. PRESS) para ir a las opciones de mejora 1 a 3, como sigue: <ul style="list-style-type: none"> 01 – lavado mejorado, 3 minutos adicionales de rotación de lavado más el tiempo de lavado programado. 02 – enjuague adicional para todos los ciclos. 03 – tanto 01 como 02. • Presione el botón inferior medio (Ropa delicada y tejidos de punto – DELICATES AND KNITS) una vez para avanzar al siguiente código. 	L. PS	Seleccionada "PS" (Encendido). <ul style="list-style-type: none"> • Presione el botón inferior derecho (Ciclo rápido – QUICK CYCLE) una vez para cambiar esta selección. • Presione el botón inferior medio (Ropa delicada y tejidos de punto – DELICATES AND KNITS) una vez para avanzar al siguiente código.
		n. CE	OPCIÓN PARA BORRAR LA CANTIDAD EN EL DEPÓSITO Cuando se selecciona, si hay dinero en el depósito durante 30 minutos sin haberse seleccionado un ciclo y sin añadir más dinero, se borrará la información relativa al ciclo o al dinero que se haya introducido en el depósito.
		n. 00	No seleccionada "00" (Apagado).
		n. CE	Seleccionada "CE" (Encendido). <ul style="list-style-type: none"> • Presione el botón inferior derecho (Ciclo rápido – QUICK CYCLE) una vez para cambiar esta selección. • Presione el botón inferior medio (Ropa delicada y tejidos de punto – DELICATES AND KNITS) una vez para avanzar al siguiente código.

INSTRUCCIONES DE PROGRAMACIÓN DEL CONTROL ELECTRÓNICO

Código	Explicación
r. 800	RPM PARA VELOCIDAD MÁXIMA DE EXPRIMIDO (LAVADORA)
r. 800	Esto puede seleccionarse de las siguientes velocidades de exprimido: 600 rpm, 750 rpm, 800 rpm, 1000 (se muestra como 999) rpm. <ul style="list-style-type: none"> • Seleccione entre las velocidades presionando el botón inferior izquierdo de Planchado permanente (PERM. PRESS). Ajuste de fábrica de 800 rpm. • Presione el botón inferior medio (Ropa delicada y tejidos de punto – DELICATES AND KNITS) una vez para avanzar al siguiente código.
U. 00	COMPENSACIÓN DE INCREMENTO EN CENTAVOS (LAVADORA)
U. 00	Esto representa la compensación del precio en incremento en centavos que se usa en los modelos PR de la Generación 2 (Pago con tarjeta de pago automático mejorado). Seleccione de 0 a 4 centavos presionando el botón inferior izquierdo (Planchado permanente – PERM. PRESS). <ul style="list-style-type: none"> • Presione el botón inferior medio (Ropa delicada y tejidos de punto – DELICATES AND KNITS) una vez para avanzar al siguiente código.
U.00	COMPENSACIÓN DE INCREMENTO EN CENTAVOS (SECADORA)
U.00	Esto representa la compensación del precio en incremento en centavos que se usa en los modelos PR de la Generación 2 (Pago con tarjeta de pago automático mejorado). Seleccione de 0 a 4 centavos presionando el botón superior izquierdo de Ropa blanca y de color (WHITES & COLORS). <ul style="list-style-type: none"> • Presione el botón medio inferior de Ropa delicada y tejidos de punto (DELICATES AND KNITS) una vez para ver el siguiente código.

Código	Explicación
A1. 00	DURACIÓN DEL PRELAVADO (LAVADORA)
A1. 00	Este es el número de minutos para el Prelavado (PREWASH). Seleccione 00 para anular el prelavado o seleccione entre 2 y 7 minutos presionando el botón inferior izquierdo (Planchado permanente – PERM. PRESS). <ul style="list-style-type: none"> • Presione el botón inferior medio (Ropa delicada y tejidos de punto – DELICATES AND KNITS) una vez para avanzar al siguiente código.
A2. 03	DURACIÓN DEL EXPRIMIDO FINAL (LAVADORA)
A2. 03	Este es el número de minutos del exprimido final de alta velocidad. Seleccione de 03 a 08 minutos presionando el botón inferior izquierdo (Planchado permanente – PERM. PRESS). <ul style="list-style-type: none"> • Presione el botón inferior medio (Ropa delicada y tejidos de punto – DELICATES AND KNITS) una vez para avanzar al siguiente código.

FIN DE LOS PROCEDIMIENTOS DE LA PROGRAMACIÓN.

CÓMO SALIR DEL MODO DE PROGRAMACIÓN

Modelos PD: Gire la llave del interruptor de servicio hacia la derecha para sacarla.

Modelos PR: Saque la tarjeta de programación manual.

GARANTÍA DE LAS SECADORAS Y LAVADORAS COMERCIALES MAYTAG® DE PAGO POR USO, DE UNA SOLA CARGA Y DE VARIAS CARGAS

GARANTÍA LIMITADA EN LAS PIEZAS

Durante los cinco primeros años a partir de la fecha de compra, siempre y cuando este aparato comercial haya sido instalado, mantenido y operado según las instrucciones adjuntas o provistas con el producto, la marca Maytag de Whirlpool Corporation (en lo sucesivo denominada "Maytag") se hará cargo de las piezas especificadas de fábrica o de las piezas originales del equipo del fabricante, para corregir defectos en los materiales o la mano de obra. Se requiere una prueba de la fecha de compra original para obtener servicio bajo esta garantía.

MAYTAG NO PAGARÁ POR LOS SIGUIENTES ARTÍCULOS

1. Todos los otros costos incluyendo mano de obra, transporte o derechos de aduana.
 2. Visitas de servicio técnico para corregir la instalación de su aparato comercial, para enseñarle a usar su aparato comercial, para cambiar o reparar fusibles o para corregir el cableado externo o la tubería.
 3. Reparaciones cuando su aparato comercial se use de un modo diferente al de un comercio normal.
 4. Daños causados por el manejo inapropiado del producto durante la entrega, robo, accidente, alteración, uso indebido, abuso, incendio, inundación, actos fortuitos, instalación incorrecta, instalación que no esté de acuerdo con los códigos eléctricos o de plomería locales, o el empleo de productos no aprobados por Maytag.
 5. Recogida y entrega. Este aparato comercial ha sido diseñado para ser reparado en su lugar.
 6. Reparaciones de piezas o sistemas como resultado de modificaciones no autorizadas que se hayan efectuado en el aparato comercial.
 7. La remoción y reinstalación de su aparato comercial, si estuviera instalado en un lugar inaccesible o si no estuviera instalado de conformidad con las instrucciones de instalación publicadas.
 8. Los daños ocasionados por productos químicos están excluidos de toda cobertura de la garantía.
 9. Cambios necesarios en el edificio, habitación o lugar para hacer que el aparato comercial funcione correctamente.
 10. Las reparaciones realizadas por un técnico de servicio autorizado que no sea contratado por Whirlpool.
-

EXCLUSIÓN DE GARANTÍAS IMPLÍCITAS; LIMITACIONES DE RECURSOS

EL ÚNICO Y EXCLUSIVO RECURSO DEL CLIENTE SEGÚN LOS TÉRMINOS DE ESTA GARANTÍA LIMITADA SERÁ EL DE REPARAR EL PRODUCTO SEGÚN SE ESTIPULA EN LA PRESENTE. LAS GARANTÍAS IMPLÍCITAS, INCLUYENDO LAS GARANTÍAS DE COMERCIABILIDAD O DE IDONEIDAD PARA UN PROPÓSITO PARTICULAR, SERÁN LIMITADAS A UN AÑO O AL PERÍODO MÁS CORTO PERMITIDO POR LEY. WHIRLPOOL NO SE RESPONSABILIZARÁ POR DAÑOS INCIDENTALES O CONSECUENTES. ALGUNOS ESTADOS Y PROVINCIAS NO PERMITEN LA EXCLUSIÓN O LIMITACIÓN POR DAÑOS INCIDENTALES O CONSECUENTES, O LIMITACIONES ACERCA DE CUÁNTO DEBE DURAR UNA GARANTÍA IMPLÍCITA DE COMERCIABILIDAD O IDONEIDAD, DE MODO QUE LAS LIMITACIONES O EXCLUSIONES ARRIBA MENCIONADAS PUEDEN NO APLICARSE EN SU CASO. ESTA GARANTÍA LE OTORGA DERECHOS LEGALES ESPECÍFICOS Y ES POSIBLE QUE USTED TENGA TAMBIÉN OTROS DERECHOS QUE PUEDEN VARIAR DE UN ESTADO A OTRO O DE UNA PROVINCIA A OTRA.

Si usted necesita servicio técnico, póngase en contacto con su distribuidor autorizado de aparatos de lavandería comercial de Maytag®. Para ubicar a su distribuidor autorizado de aparatos de lavandería comercial de Maytag®, o para solicitar información por internet, visite www.MaytagCommercialLaundry.com.

12/10

Para enviar correspondencia por escrito:
Maytag® Commercial Laundry Service Department
2000 M-63 North
Benton Harbor, Michigan 49022 USA

® Registered Trademark/TM Trademark of Maytag Properties LLC or its related companies.
Used under license by Maytag Canada LP in Canada.
® Marque déposée/TM Marque de commerce de Maytag Properties LLC ou ses compagnies affiliées.
Emploi sous licence par Maytag Canada LP au Canada.
® Marca registrada/TM Marca de comercio de Maytag Properties LLC o sus compañías asociadas.
Usada bajo licencia por Maytag Canada LP en Canadá.

W10335465B

© 2011 Whirlpool Corporation

03/2011
Printed in U.S.A.
Imprimé aux États-Unis
Impreso en EE.UU.