



Frigidaire

Factory Parts Catalog

Product No.	GLMV169GBB	GLMV169QGB	GLMV169GSB	PLMVZ169GCB
Market	North America	North America	North America	North America
Color	black	bisque	white	stainless steel
Volts	120	120	120	120
Watts	1000	1000	1000	1000
Wiring Diagram	5995511366	5995511366	5995511366	5995511366
Owner's Guide	TINSEB478MRR0	TINSEB478MRR0	TINSEB478MRR0	TINSEB478MRR0
Installation Instructions	316137234	316137234	316137234	316137234

 **Electrolux**

Electrolux Major Appliances
North & Latin America
P.O. BOX 212378
AUGUSTA, GA 30917

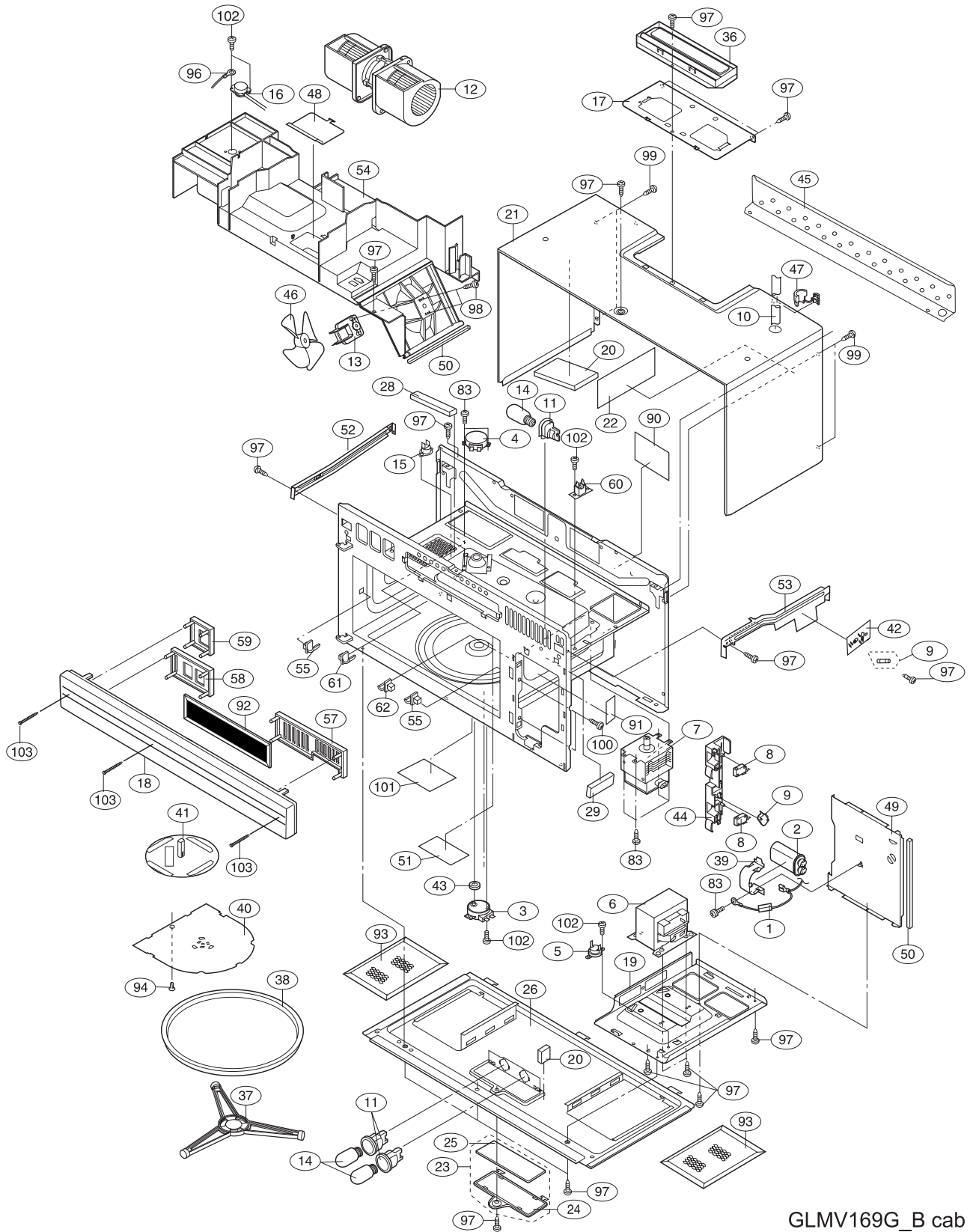
Publication No.
5995511366
08/04/29
(EN/SERVICE/KC)
099

**OVER-RANGE
MICROWAVE**

Model No.
**GLMV169G /
PLMVZ169G**

Copyright © 2008 Electrolux Home Products, Inc.
All rights reserved.

OVEN, CABINET



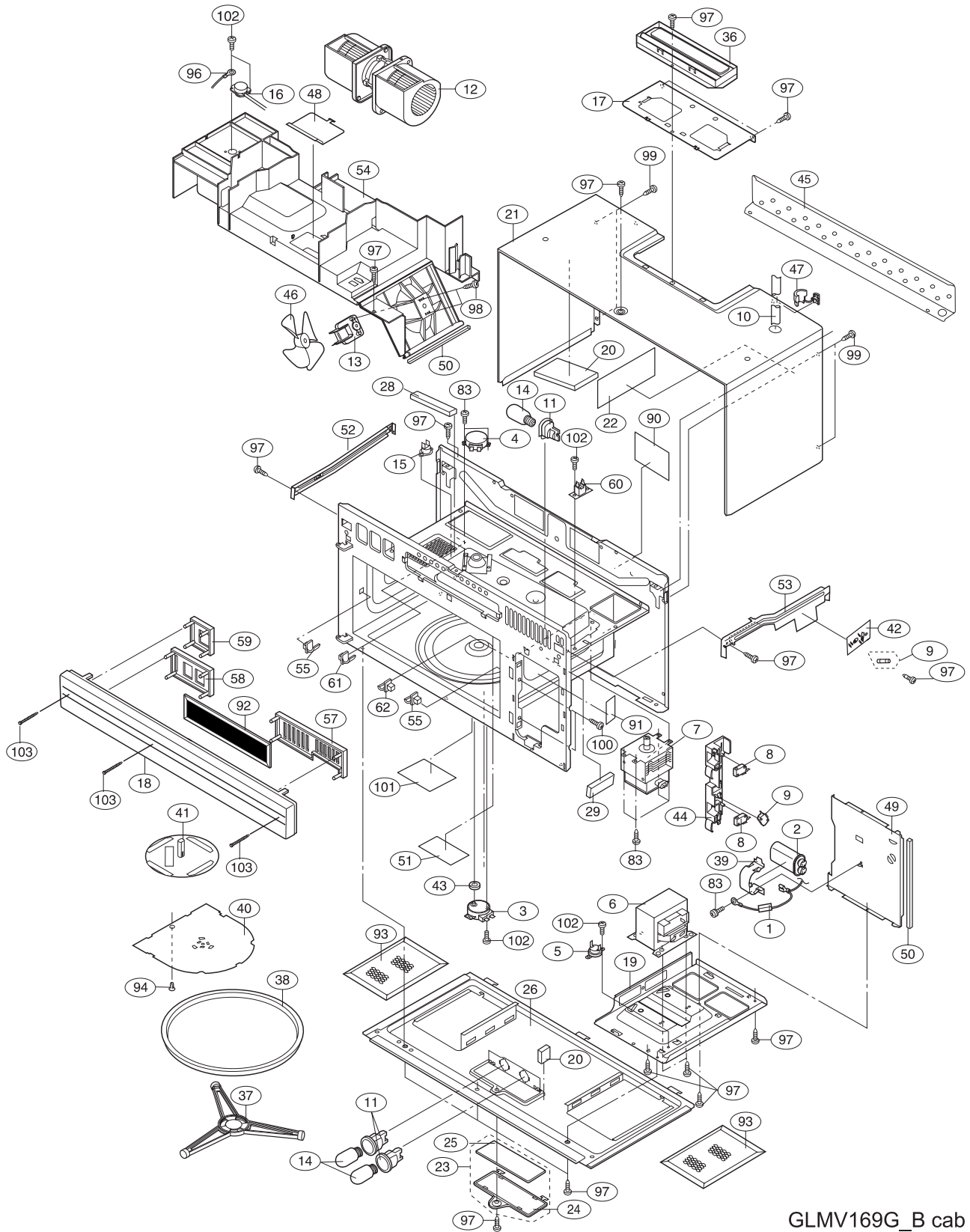
GLMV169G_B cab

OVEN,CABINET

Model Index: A GLMV169G (GLMV169GGB)
 B GLMV169G (GLMV169GQB)
 C GLMV169G (GLMV169GSB)
 D PLMVZ169G (PLMVZ169GCB)

POS. NO	PART NO.				DESCRIPTION	
1 #	5304461352	A	B	C	D	Rectifier, high voltage
2 #	5304440020	A	B	C	D	Capacitor, high voltage
3 #	5304448488	A	B	C	D	Motor, turntable
4 #	5304448489	A	B	C	D	Motor, stirrer fan
5 #	5304440023	A	B	C	D	Thermal Cutout, hood
6 #	5304456053	A	B	C	D	Transformer, power
7 #	5304461353	A	B	C	D	Magnetron
8 #	5304440026	A	B	C	D	Switch, interlock, door sensor
9 #	5303319559	A	B	C	D	Switch, monitor, w/ceramic fuse
10 #	5304440028	A	B	C	D	Power Cord, electric
11 #	5303319561	A	B	C	D	Receptacle, lamp socket, oven
12 #	5304440029	A	B	C	D	Motor, hood fan
13 #	5304448490	A	B	C	D	Motor, cooling fan
14	5304440031	A	B	C	D	Lamp, incandescent, 20 W, (3)
15 #	5304440032	A	B	C	D	Thermal Cutout, oven cavity
16 #	5304440033	A	B	C	D	Sensor, humidity, cook control
17	5304440232	A	B	C	D	Plate, rear stay
18	5304461354	A	-	-	-	Grille, exhaust, black
18	5304461355	-	B	-	-	Grille, exhaust, bisque
18	5304461356	-	-	C	-	Grille, exhaust, white
18	5304461357	-	-	-	D	Grille, exhaust, stainless steel
19	5304464340	A	B	C	D	Base, transformer, right side
20	5304440237	A	B	C	D	Cushion, cabinet
21	5304445465	A	-	-	D	Cabinet, outer casing, black
21	5304445467	-	B	-	-	Cabinet, outer casing, bisque
21	5304445466	-	-	C	-	Cabinet, outer casing, white
22	5304451803	A	B	C	D	Wiring Diagram, schematic, label
23	5303319573	A	-	-	D	Lens/Frame Assy, lamp
23	5304451821	-	B	-	-	Lens/Frame Assy, lamp, bisque
23	5304458209	-	-	C	-	Lens/Frame Assy, lamp, white
24	5303319574	A	-	-	D	Frame, lens holder
24	5304451822	-	B	-	-	Frame, lens holder, bisque
24	5304458210	-	-	C	-	Frame, lens holder, white
25	5303319575	A	B	C	D	Lens, cooktop lamp, glass
26	5304464341	A	-	-	D	Cover, unit base, black
26	5304464691	-	B	-	-	Cover, unit base, bisque
26	5304464342	-	-	C	-	Cover, unit base, white
28	5304441369	A	B	C	D	Cushion, cavity top pnl
29	5304441370	A	B	C	D	Cushion, magnetron pad
36	5304464343	A	B	C	D	Damper Assembly, exhaust
37	5304440284	A	B	C	D	Support Assy, turntable
38	5304440285	A	B	C	D	Tray, turntable, glass
39	5303319587	A	B	C	D	Retainer, capacitor strap
40	5304440286	A	B	C	D	Cover, stirrer fan
41 #	5304440287	A	B	C	D	Stirrer Assembly
42 #	5304451818	A	B	C	D	Filter, noise, electronic
43	5304440288	A	B	C	D	Bushing, motor shaft, turntable

OVEN, CABINET



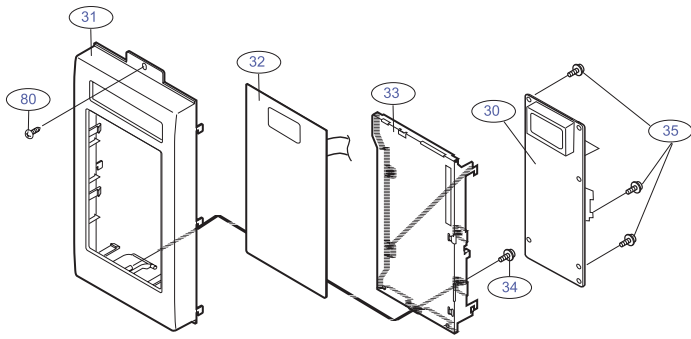
GLMV169G_B cab

OVEN,CABINET

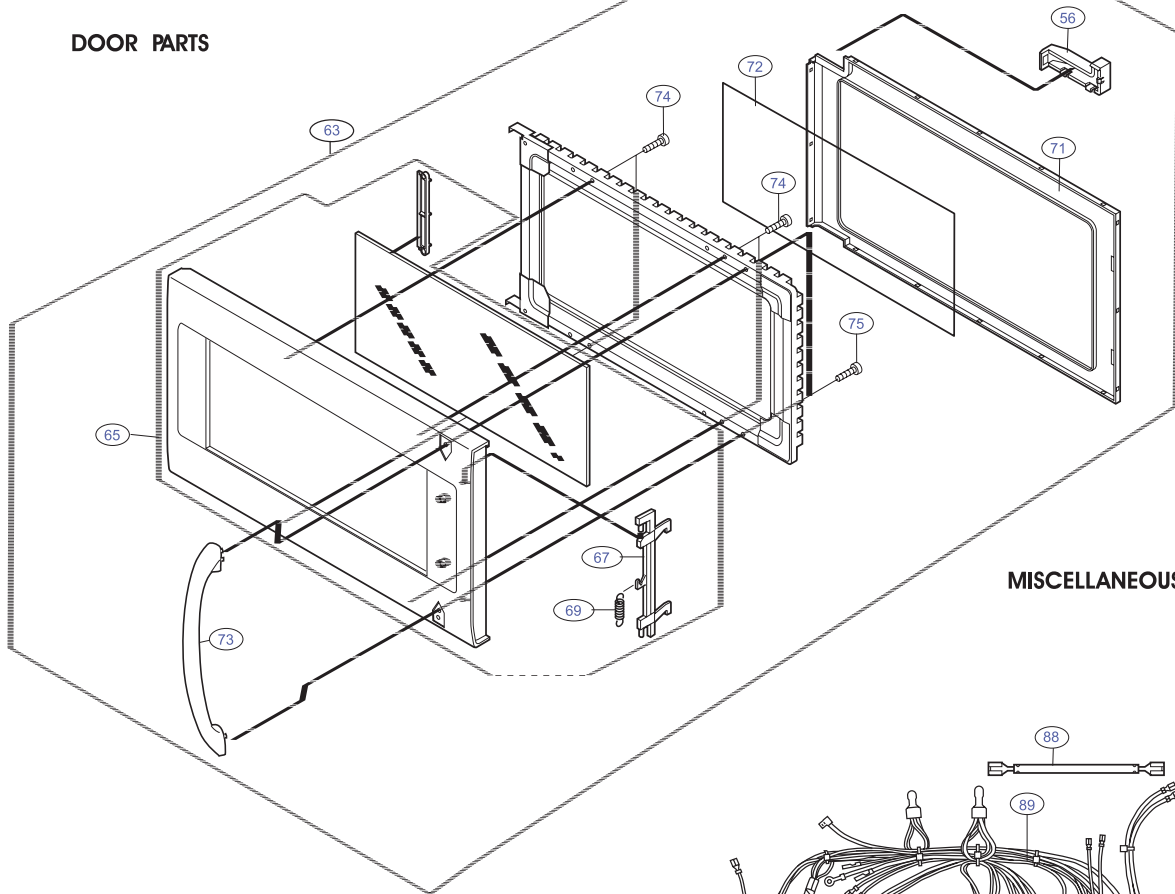
Model Index: A GLMV169G (GLMV169GGB)
 B GLMV169G (GLMV169GQB)
 C GLMV169G (GLMV169GSB)
 D PLMVZ169G (PLMVZ169GCB)

POS. NO	PART NO.				DESCRIPTION	
44	5304440289	A	B	C	D	Latch Hook
45	5304464344	A	B	C	D	Bracket, unit mtg plate, rear
46 #	5304440291	A	B	C	D	Fan Blade, mag cooling fan
47	5303319605	A	B	C	D	Bushing, grommet, power cord
48	5304440292	A	B	C	D	Cover, oven lamp
49	5304440293	A	B	C	D	Duct, hood intake, right side
50	5304440294	A	B	C	D	Cushion, intake duct
51	5304440295	A	B	C	D	Lens, lamp filter
52	5304461366	A	B	C	D	Support, chassis, left side
53	5304461367	A	B	C	D	Support, chassis, right side
54	5304451828	A	B	C	D	Duct, exhaust hood
55	5304440299	A	B	C	D	Support, rack, front
57	5304440301	-	-	-	D	Cover A, grille louver
58	5304440302	-	-	-	D	Cover B, grille louver
59	5304440303	-	-	-	D	Cover C, grille louver
60 #	5304458211	A	B	C	D	Fuse, magnetron
61	5304441371	A	B	C	D	Support, rack, left rear
62	5304441372	A	B	C	D	Support, rack, right rear
83	5303319636	A	B	C	D	Screw
90	5304440333	A	B	C	D	Label, Caution-DHHS
91	5304440334	A	B	C	D	Label, Caution-monitor
92	5304440335	A	B	C	D	Filter, inside exhaust, charcoal
93	5303319568	A	B	C	D	Filter, grease, (2)
94	5304440337	A	B	C	D	Clip, canoe type, stirrer cover
96 #	5304440339	A	B	C	D	Wire, sensor ground
97	5304451553	A	B	C	D	Screw, 4 mm x 12 mm
98	5304461379	A	B	C	D	Screw, 4mm x 8mm
99	5303319639	A	B	C	D	Screw, wrapper, back
100	5303319641	A	B	C	D	Screw
101	5304441900	A	B	C	D	Label, Caution-DHHS
102	5304453725	A	B	C	D	Screw, 3mm x 8mm
103	5303319640	A	-	-	D	Screw, black
103	5303319652	-	B	-	-	Screw, bisque
103	5303319663	-	-	C	-	Screw, white

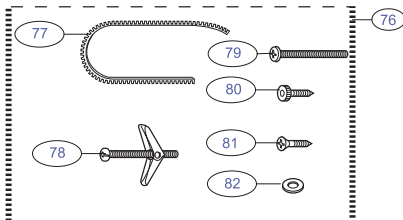
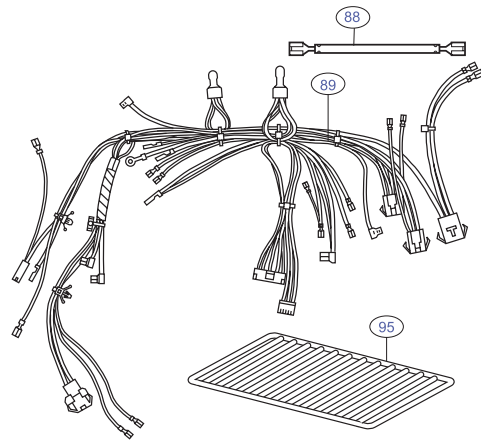
CONTROL PANEL, DOOR, MISC.



DOOR PARTS



MISCELLANEOUS



GLMV169G-B CONTROLS

CONTROL PANEL,DOOR,MISC.

Model Index: A GLMV169G (GLMV169GGB)
 B GLMV169G (GLMV169GQB)
 C GLMV169G (GLMV169GSB)
 D PLMVZ169G (PLMVZ169GCB)

POS. NO	PART NO.			DESCRIPTION
30 #	5304440245	A	B C D	Control Board, printed circuit
31	5304461358	A	- - -	Frame, control panel, black
31	5304461359	-	B - -	Frame, control panel, bisque
31	5304461360	-	- C -	Frame, control panel, white
31	5304461361	-	- - D	Frame, control panel, stainless steel
32 #	5304461362	A	- - -	Touch Control, key pad, black
32 #	5304461363	-	B - -	Touch Control, key pad, bisque
32 #	5304461364	-	- C -	Touch Control, key pad, white
32 #	5304443989	-	- - D	Touch Control, key pad, black
33	5304461365	A	B C -	Panel, control mount
33	5304440281	-	- - D	Panel, control mount
34	5304458568	A	B C D	Screw, 3 mm x 10 mm
35	5304456930	A	B C D	Screw, 3 mm x 10 mm
56	5304440300	A	B C D	Door Stop
63 #	5304461368	A	- - -	Door Assy, black, w/handle
63 #	5304461369	-	B - -	Door Assy, bisque, w/handle
63 #	5304461370	-	- C -	Door Assy, white, w/handle
63 #	5304461371	-	- - D	Door Assy, stainless, w/handle
65	5304461372	A	- - -	Frame Assembly, door, black, w/glass & latch
65	5304461373	-	B - -	Frame Assembly, door, bisque, w/glass & latch
65	5304461374	-	- C -	Frame Assembly, door, white, w/glass & latch
65	5304466769	-	- - D	Frame Assembly, door, stainless, w/glass & latch
67	5304440314	A	B C D	Latch, door
69	5304440316	A	B C D	Spring, door latch
71	5304440320	A	B C D	Frame, choke cover, inner door
72	5304440321	A	B C D	Seal, door, film
73	5304461375	A	- - -	Handle, door, black
73	5304461376	-	B - -	Handle, door, bisque
73	5304461377	-	- C -	Handle, door, white
73	5304456145	-	- - D	Handle, door, stainless steel
74	5304451561	A	B C D	Screw, 4 mm x 8 mm
75	5304458213	A	B C D	Screw, 4 mm x 12 mm
76	5304464349	A	B C D	Hardware, installation, kit
77	5303318761	A	B C D	Sleeve, power cord, grommet
78	5303318762	A	B C D	Screw, toggle
79	5304453895	A	B C D	Screw, 5mm x 85mm
80	5304451553	A	B C D	Screw, 4 mm x 12 mm
81	5304453723	A	B C D	Screw, 5mm x 35mm
82	5303318766	A	B C D	Washer, flat, 30mm, (2)
86	5304451830	A	B C D	Template, installation, top
86	5304464350	A	B C D	Template, installation, wall
88 #	5304440331	A	B C D	Wire, high voltage-A
89 #	5304461378	A	B C D	Wiring Harness, main-A
95	5304440338	A	B C D	Rack, microwave oven, wire

WIRING SCHEMATIC

SCHEMATIC
 NOTE: CONDITION OF OVEN
 1. DOOR CLOSED
 2. CLOCK APPEARS ON DISPLAY

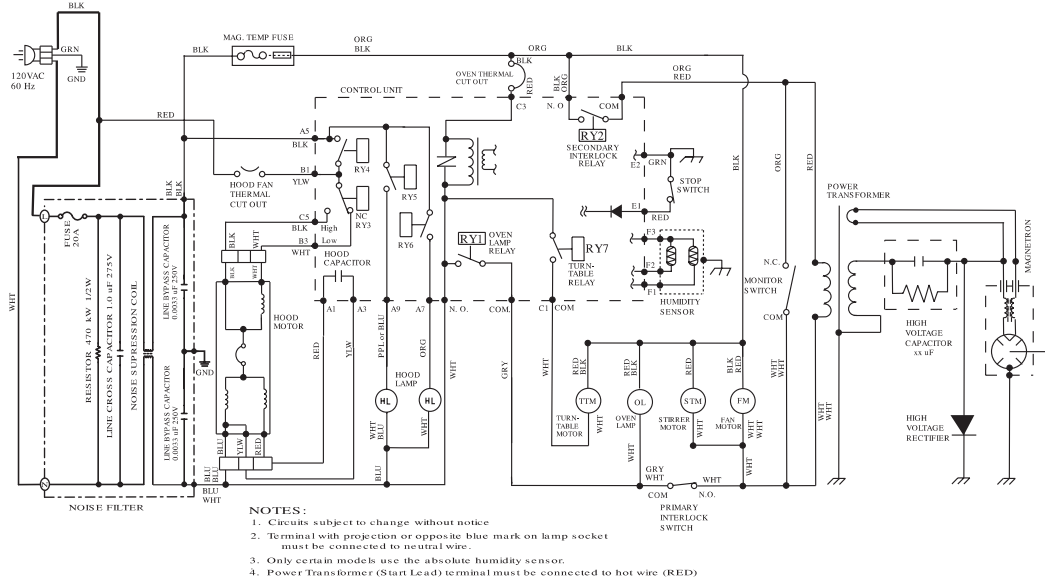


Figure O-1. Oven Schematic-Off Condition

SCHEMATIC
 NOTE: CONDITION OF OVEN
 1. DOOR CLOSED
 2. COOKING TIME PROGRAMMED
 3. VARIABLE COOKING CONTROL "HIGH"

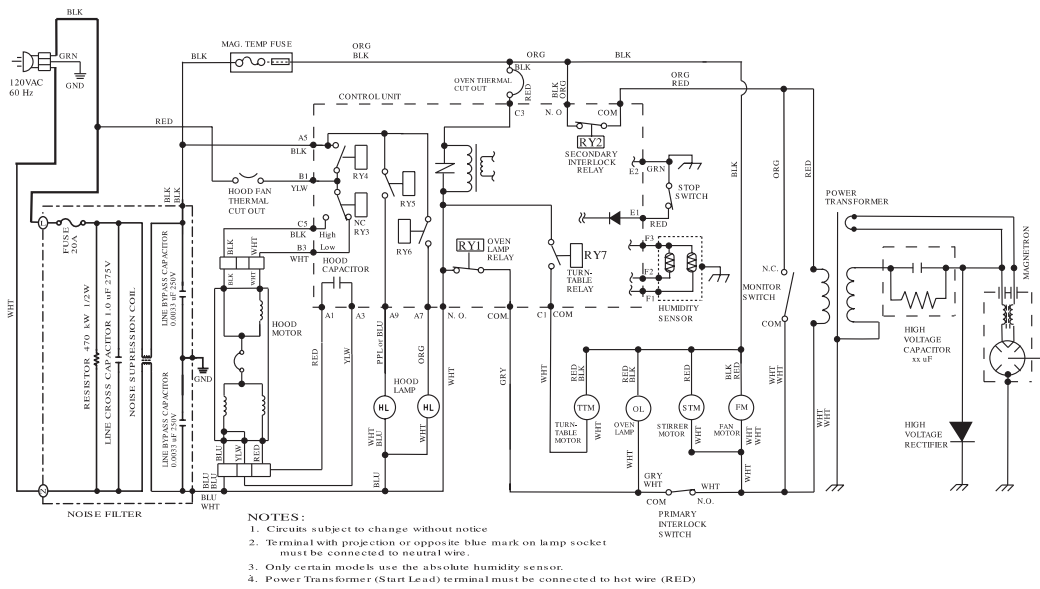


Figure O-2. Oven Schematic-Cooking Condition

GLMV169G_A Wiring