

# Use and Care & Installation Guide

## *Icemaker Accessory Kit*

---



**Safety Instructions** .....2



**Operating Instructions** .....2, 3



**Installation**

Kit Installation .....5-8  
Water Line Installation .....9-11



**Problem Solver** .....4

More questions?...call  
**GE Answer Center® 800.626.2000**



**Consumer Services**

Repair Service .....4  
Warranty .....Back Cover

*Model UK-KIT-3S for refrigerators with  
the freezer on the bottom*

***GE Quality Product***

---

Installer: Please leave this guide with the Consumer.



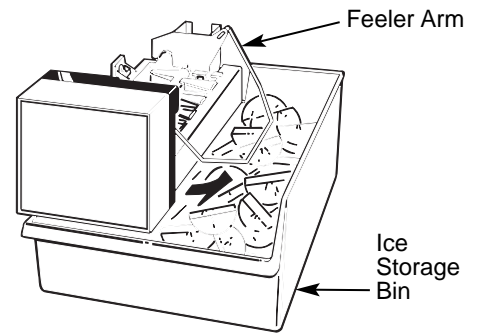
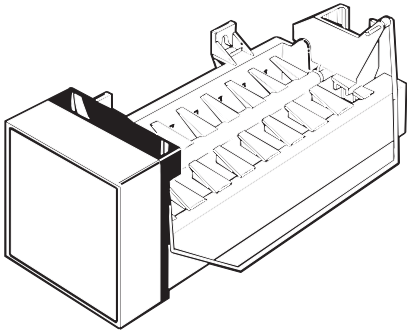
## IMPORTANT SAFETY INSTRUCTIONS

Do not place fingers or hands on the automatic icemaking mechanism while the refrigerator is plugged in. This will help protect you from possible injury. It will also prevent interference with moving parts of the ejector mechanism and the heating element that releases the cubes.

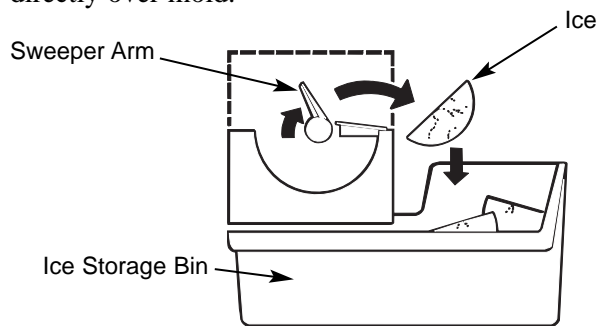
## SAVE THESE INSTRUCTIONS



## HOW THE ICEMAKER WORKS



Water fills the empty cube mold when the freezer has cooled to freezing temperature. Cold air is forced directly over mold.



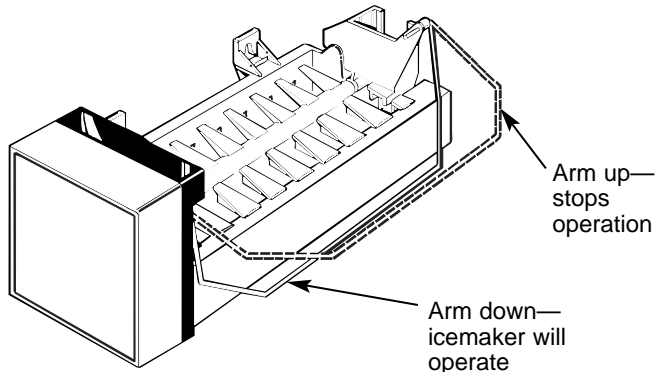
The feeler arm senses when the bin is full and signals the icemaker to stop ejecting more cubes. However, the mold has been refilled and cubes frozen so the new supply is ready when needed. As soon as ice is removed from the bin, the feeler arm signals that more is needed. Icemaker resumes operation by ejecting ready-and-waiting frozen cubes.

When frozen, the cubes are moved up and out of the mold. The sweeper arm ejects them into the ice storage bin below.

# HOW TO USE YOUR ICEMAKER

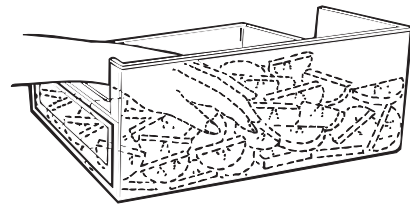


1. To start the Icemaker, lower the feeler arm to the ON (down) position. Make sure the ice storage bin is below the icemaker and pushed back as far as possible.



2. When the Icemaker is first connected or after any extended period of non-use, you should discard the first few batches of cubes. Use ice regularly to maintain the best quality.
3. The feeler arm must be free to operate upward and outward over the top of the ice storage bin during each ice-delivery cycle. Make sure packages in the freezer compartment do not block its movement.
4. Raise the feeler arm to the STOP (up) position when:
  - a. Ice storage bin is to be removed for extended period of time.
  - b. Refrigerator is not to be used for an extended time, such as vacations. Also, turn off the water supply to the Icemaker in this instance.
  - c. Water supply is to be shut off for several hours.
5. During operation, you may hear certain sounds, such as the hum of the motor, movement of the cube ejector, humming or clicking of the water valve, and rattling of ice as it falls into the bin. These sounds are normal.

6. The Icemaker ejects cubes in groups and it is normal for several cubes to be joined together.
7. Ice cubes that have been in the ice storage bin for a considerable length of time may pick up off-flavor tastes, stick together, and gradually become smaller. We suggest that these cubes be thrown away.
8. You may, on occasion, find a few smaller than normal cubes in the bin. This is probably caused by low water pressure at time of water fill, and is no cause for concern.
9. The ice storage bin should be cleaned occasionally in warm water. Rinse and wipe dry. Be sure to put the icemaker feeler arm in the STOP (up) position when cleaning the bin.



10. Keep the ice level to keep it coming. If the cubes should build up in one area of the ice storage bin after being ejected from the mold, just level them out with your hand. Keep the cubes distributed evenly and the bin can reach its maximum cube capacity.



## QUESTIONS? USE THIS PROBLEM SOLVER

PROBLEM	POSSIBLE CAUSE
ICEMAKER APPEARS TO HAVE STOPPED OPERATING	<ul style="list-style-type: none"><li>• The feeler arm is in the STOP (up) position.</li><li>• The icemaker is not getting the necessary supply of water. Make sure the water supply is connected and turned on. Check for kinks in the 1/4" copper tubing. Remove kinks or replace tubing if there are kinks.</li><li>• The freezer compartment is too warm. Turn the temperature control to a colder setting. (See your refrigerator use and care guide.)</li><li>• The cubes are too small. The shutoff valve connecting the refrigerator to the home water line may be clogged. Unclog it.</li></ul>
WATER OVERFLOWS ICE MOLD	<ul style="list-style-type: none"><li>• Let the icemaker produce three or four batches of ice. If the water still overflows, call for service.</li></ul>
ICE CUBES HAVE ODOR/TASTE	<ul style="list-style-type: none"><li>• Use icemaker regularly. Discard old cubes. Ice stored for an extended period may absorb odors which affect their taste.</li><li>• Ice storage bin needs to be emptied and washed.</li><li>• Unsealed packages in the refrigerator and/or freezer compartments may be transmitting odor/taste to ice cubes.</li><li>• The interior of the refrigerator needs cleaning—see your refrigerator use and care guide.</li></ul>

**If you need more help...call, toll free:**  
**GE Answer Center®**  
**800.626.2000**  
**consumer information service**

## IF YOU NEED SERVICE

To obtain service, see your warranty on the back page of this guide.

We're proud of our service and want you to be pleased. If for some reason you are not happy with the service you receive, here are three steps to follow for further help.

FIRST, contact the people who serviced your appliance. Explain why you are not pleased. In most cases, this will solve the problem.

NEXT, if you are still not pleased, write all the details—including your phone number—to:

Manager, Consumer Relations  
GE Appliances  
Appliance Park  
Louisville, KY 40225

# UK-KIT-3S INSTALLATION INSTRUCTIONS



- Read these instructions all the way through before starting.
- **IMPORTANT: OBSERVE ALL GOVERNING CODES AND ORDINANCES.**
- Installer—Be sure to leave these instructions with the Consumer.

## CAUTION

For your safety, unplug the refrigerator from its electrical outlet to eliminate danger of electric shock during installation.

## ADDITIONAL MATERIALS YOU WILL NEED

- Copper tubing, shutoff valve and fittings necessary to supply water to your refrigerator. They are not included in UK-KIT-3S.

You can purchase a complete water supply kit from your GE or Hotpoint dealer. Recommended water supply kits are:

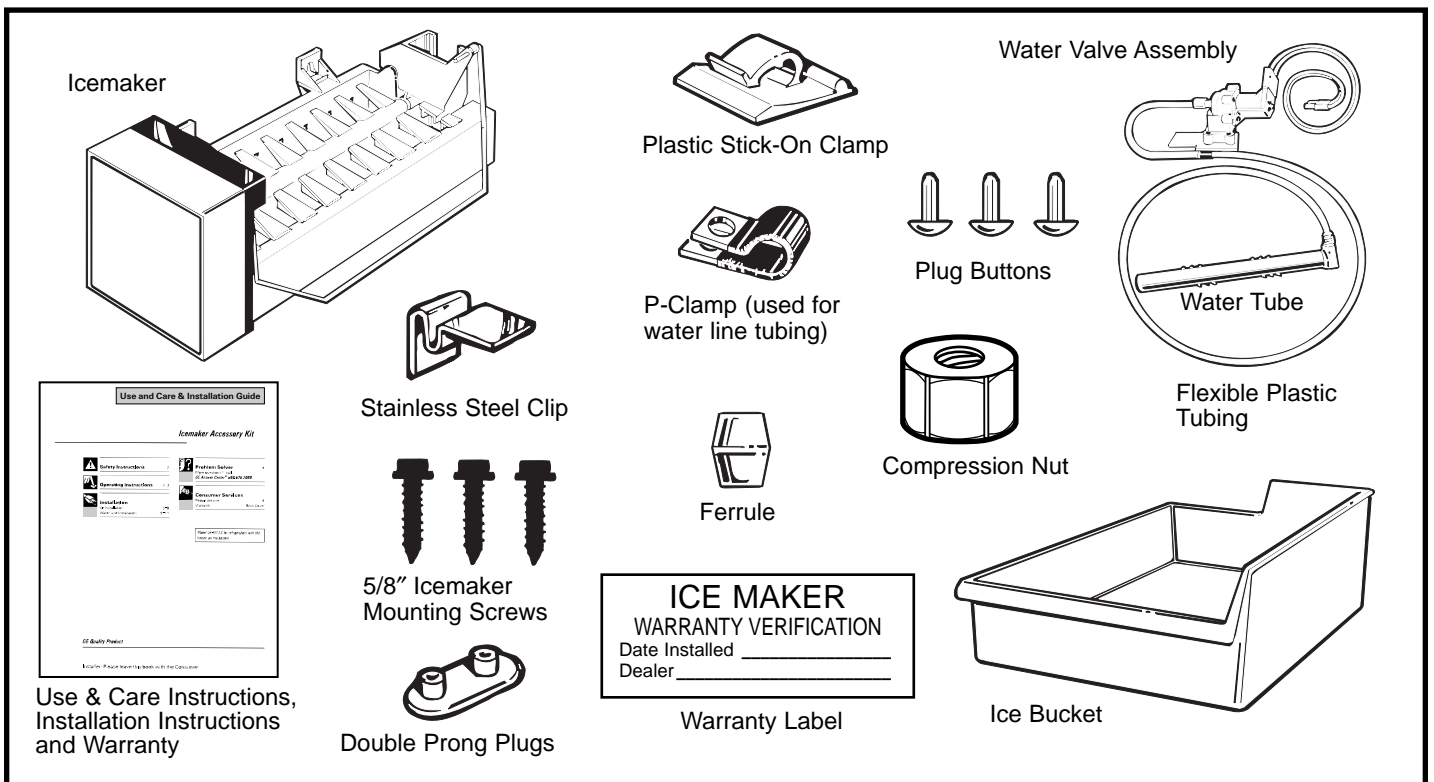
- Cat. No. WX8X2 with 15 feet of copper tubing.
- Cat. No. WX8X3 with 20 feet.
- Cat. No. WX8X4 with 25 feet.

**NOTE: DO NOT USE A SELF-PIERCING VALVE.**

## TOOLS REQUIRED

- Blade-type screwdriver
- 1/4" hex socket and driver
- Adjustable wrench
- 1/2" open-end wrench
- 3/8" open-end wrench
- Needle nose pliers
- Masking tape
- Center punch
- Electric drill
- 1/4" drill bit
- 3/8" drill bit
- Hammer
- Small knife
- Bucket
- Towel

## CONTENTS OF UK-KIT-3S



(continued next page)

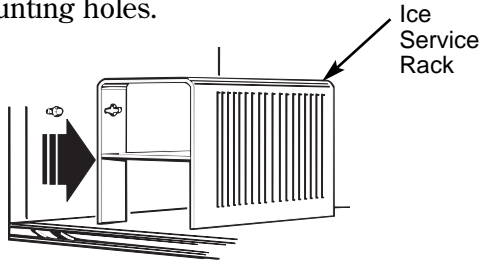


# INSTALL THE ICEMAKER

## 1 REMOVE THE ICE SERVICE RACK. (on some models)

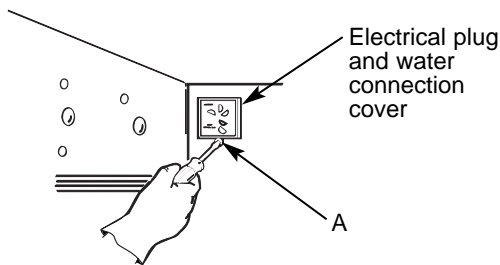
On some models, an ice service rack is mounted on two screws in the freezer side wall. If your refrigerator has an ice service rack:

- a. Remove ice trays and storage bin.
- b. Carefully slide the ice rack toward the front of the freezer about 3/8" until screws are in the middle mounting holes.

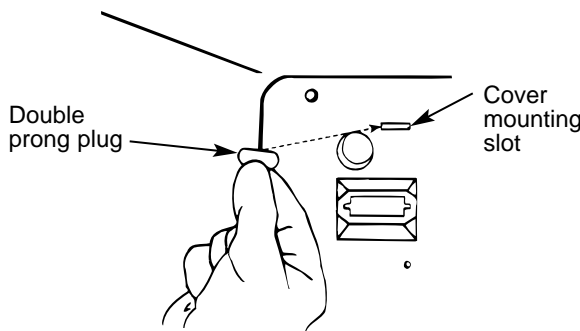


- c. Gently pull the ice rack toward the center of the freezer.
- d. Remove and discard the screws from the wall.
- e. Push two of the plug buttons into the screw holes.

## 2 REMOVE ELECTRICAL PLUG AND WATER CONNECTION COVER.



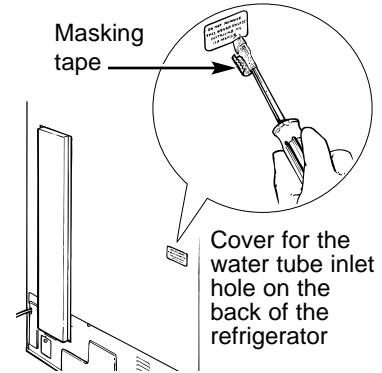
- a. Remove screw (A) that holds the cover in place. Discard the screw and cover.



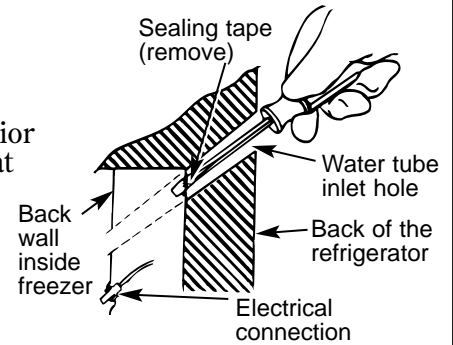
- b. Push in a double prong plug to seal the cover mounting slot.

## 3 INSTALL WATER FILL TUBE THROUGH THE BACK OF THE REFRIGERATOR.

- a. Remove the cover for the water tube inlet hole on the back of the refrigerator near the bottom. Use a flat-blade screwdriver covered with masking tape to protect against scratching the refrigerator.

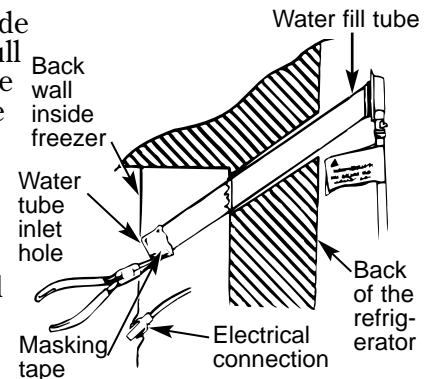


- b. After removing the cover, use the screwdriver to pierce the interior sealing tape that covers the hole for the water fill tube inlet. Clear a path for the water fill tube.

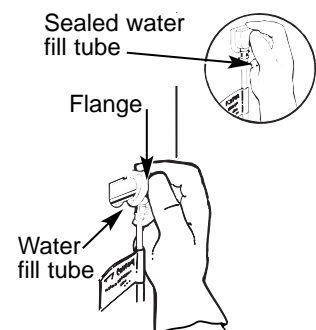


- c. To prevent the styrofoam insulation beads from entering the water fill tube during installation, temporarily cover the end of the tube with masking tape. Push the water fill tube through the hole.

- d. From the inside of the freezer, pull the water fill tube through the hole in the back wall. **Be sure to remove the masking tape from the end of the water fill tube to allow water to flow into the icemaker.**

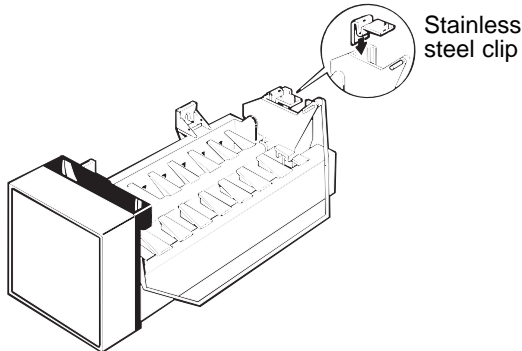


- e. From the outside, push gently on the water fill tube while twisting it slightly, until the flange is firmly sealed inside the hole on the back of the refrigerator. Make sure the water fill tube is completely sealed.



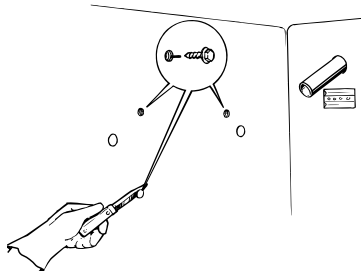


#### 4 HANG THE ICEMAKER ON FREEZER WALL.

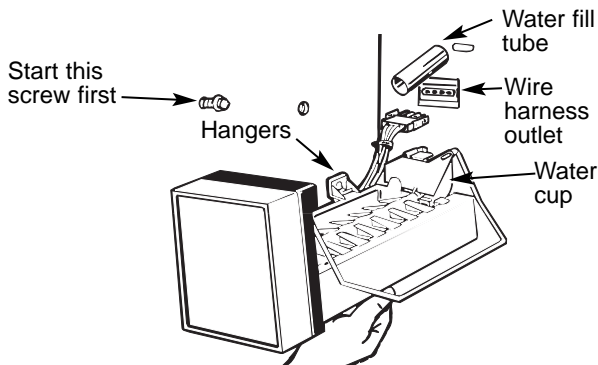


a. Slip the stainless steel clip over the wall of the water cup.

b. Cover the tip of a knife blade with masking tape to protect the inside of the freezer. Carefully pry out and discard the three white plastic buttons from the left side of the freezer.



c. Screw one 5/8" icemaker mounting screw in the top front hole. Leave the head out approximately 3/8" for the slot in the icemaker hanger to slip over the screw.

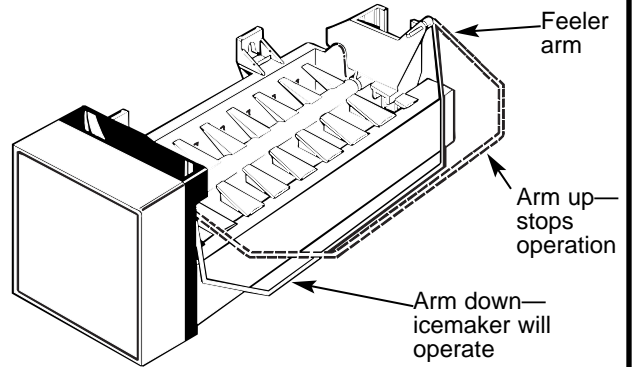


d. Hold the icemaker in position inside the freezer. Insert the wire harness plug into the outlet using a rocking motion, until the locking fingers on the sides of the plug snap into place. The plug fits only one way.

e. Slip the icemaker hanger over the mounting screw, while easing the icemaker water cup toward the end of the water fill tube. The water fill tube fits under the stainless steel clip on the water cup. **The water fill tube must not be kinked. It should extend approximately 1/2" into the water cup and must not become easily dislodged.**

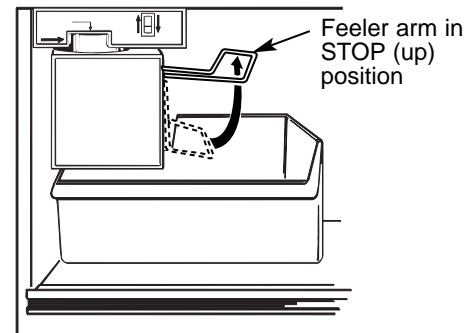
f. Screw in the two remaining icemaker mounting screws. **Tighten all three screws.**

#### 5 LIFT THE ICEMAKER FEELER ARM TO THE STOP (UP) POSITION.



The icemaker should feel secure when you lift the arm. Leave the feeler arm in the STOP (up) position until the refrigerator is connected to the water supply to prevent it from operating before the water supply connection is complete.

#### 6 PLACE ICE STORAGE BIN ON FREEZER SHELF.



Move the ice storage bin into place directly under the icemaker.

**NOTE:** Check again to make sure the icemaker power cord is fully inserted into its outlet.

Check again to make sure the icemaker feeler arm is in the STOP (up) position.

#### 7 APPLY WARRANTY LABEL TO BACK OF REFRIGERATOR.

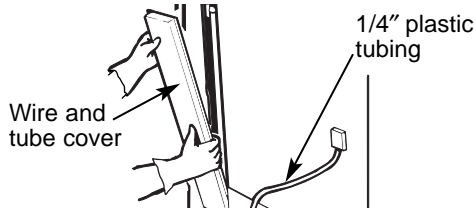
A label is provided in the kit. On it record the date of the installation for warranty purposes.

**The icemaker installation is now complete. Refer to the following instructions for connecting the icemaker to the home water supply.**

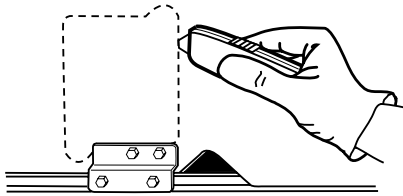


# PREPARE THE BACK OF THE REFRIGERATOR

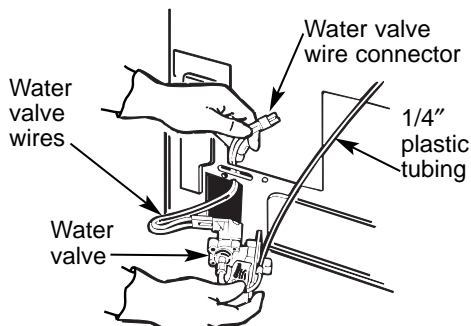
## INSTALL THE WATER VALVE.



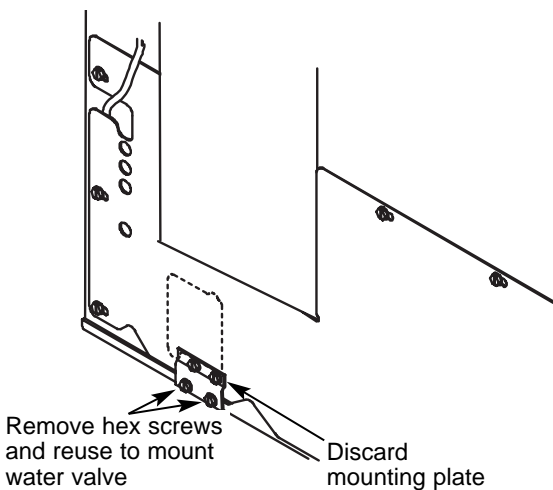
a. Remove and save the 4 hex screws and the vertical wire and tube cover from the back of the refrigerator.



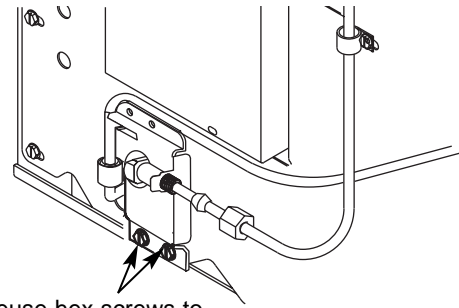
b. To access the water valve, cut along the outline in the fiberboard cover using a utility knife. Remove the fiberboard.



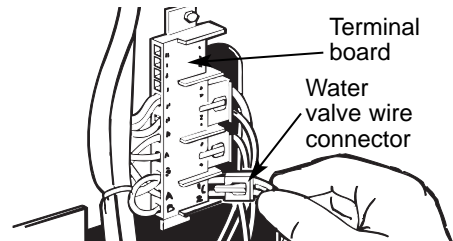
c. Thread the water valve wires through the rectangular opening, taking care not to bend any existing tubes.



d. Use a 1/4" hex nut driver to remove the two lower screws from the valve mounting plate and discard the mounting plate.

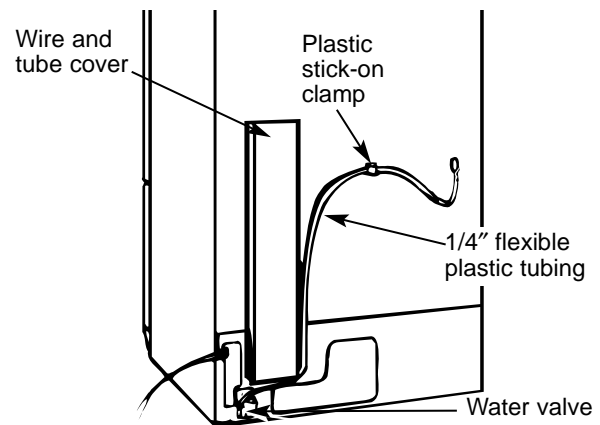


e. Attach the water valve to the lower rail using the hex screws removed from the mounting plate. This will assure that the water valve is electrically grounded.



f. Plug the water valve wire connector into the terminal board at the points on the bottom right position, marked "1" and "2" across from "A" and "B."

g. Re-install the vertical wire and tube cover. To avoid pinching wires, carefully tuck the wires inside the cover. Secure the cover by reusing all the original screws.



h. Secure the 1/4 inch flexible plastic tubing to the rear wall of the refrigerator cabinet using the plastic stick-on clamp.

**NOTE:** The P-clamp is used to secure the 1/4 inch flexible copper tubing at the back horizontal cover, using the existing cover screw. (See Water Line Installation Instructions.)



# WATER LINE INSTALLATION INSTRUCTIONS



If you use your refrigerator before connecting the water line, make sure the icemaker feeler arm is kept in the STOP (up) position.



## CAUTION:

- When using any electrical device (such as a power drill) during installation, be sure the device is insulated or wired in a manner to prevent the hazard of electric shock.
- All installations must be in accordance with local plumbing code requirements.

## WARRANTY INFORMATION

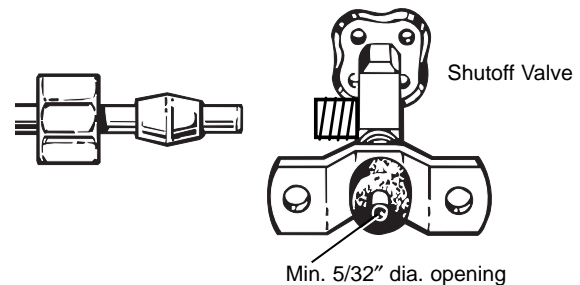
This water line installation is not warranted by the refrigerator or icemaker manufacturer. Follow these instructions carefully to minimize the risk of expensive water damage.

## WHAT YOU WILL NEED

A cold water supply is required for automatic icemaker operation. Water pressure must be between 20 and 120 p.s.i.

Copper tubing, 1/4" O.D., should be used to connect the refrigerator to the water supply. **Do not use plastic tubing or plastic fittings** because the connection between the water supply and the refrigerator water valve inlet is under constant water pressure. Also, certain types of plastic tubing may become brittle with age and crack, resulting in water leakage.

A **shutoff valve** should be connected to the cold water line. The shutoff valve should have a water inlet with a **minimum inside diameter of 5/32"** at the point of connection to the COLD WATER LINE. A saddle-type shutoff valve permitted by many local plumbing codes is shown below.



Check your local plumbing codes before choosing this type of valve. We recommend using the saddle valve supplied with GE Water Supply Kits WX8X2, WX8X3 and WX8X4.  
**NOTE: DO NOT USE A SELF-PIERCING VALVE.**

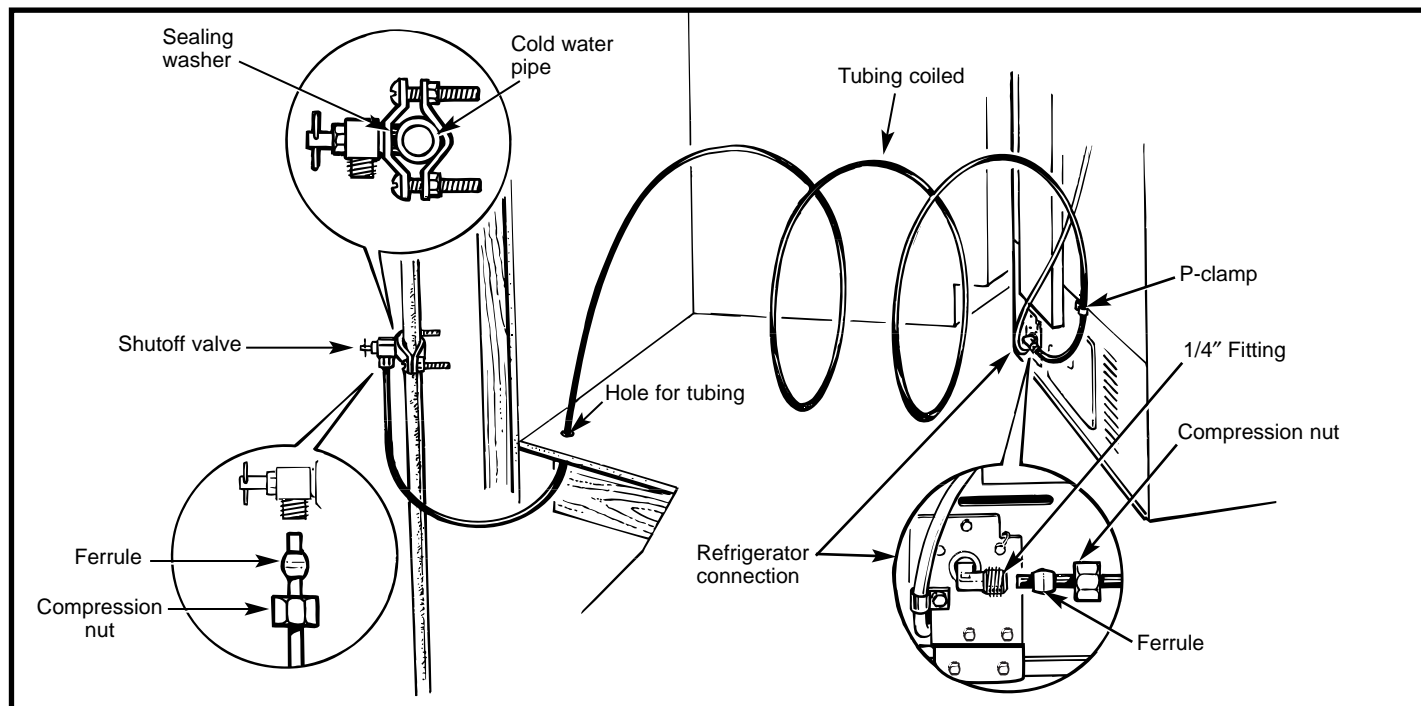
*(continued next page)*



# WATER LINE INSTALLATION INSTRUCTIONS

(continued)

## TYPICAL PLUMBING INSTALLATION WITH WATER SUPPLY KITS WX8X2, WX8X3 and WX8X4



### **1 SHUT OFF MAIN WATER SUPPLY.**

### **2 INSTALL SHUTOFF VALVE ON NEAREST COLD FREQUENTLY USED DRINKING WATER LINE.**

a. Choose a location for the valve that is easily accessible. It is best to connect into the side of a vertical water pipe. When it is necessary to connect into a horizontal water pipe, make the connection to the top or side, rather than at the bottom, to avoid drawing off any sediment from the water pipe.

b. Drill a 1/4" hole in one wall of the water pipe, using a sharp bit. Remove any burrs resulting from drilling the hole in the pipe.

c. Tighten the clamp screws until the sealing washer begins to swell.

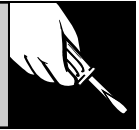
### **3 ROUTE COPPER TUBING BETWEEN COLD WATER LINE AND REFRIGERATOR.**

a. Route copper tubing where the temperature remains above 35°F.

b. Then route the tubing through a hole drilled in the floor (behind the refrigerator or adjacent base cabinet) as close to the wall as possible. Be sure there is sufficient extra tubing (about 8 feet coiled into 3 turns of about 10 inches diameter) to allow the refrigerator to move out from the wall after installation.

### **4 CONNECT COPPER TUBING TO SHUTOFF VALVE.**

Place the compression nut and ferrule onto the end of the tubing and connect to the shutoff valve. Make sure the tubing is fully inserted into the valve. Tighten the compression nut securely, then pull on the tube to check for a secure connection. **DO NOT OVERTIGHTEN.**



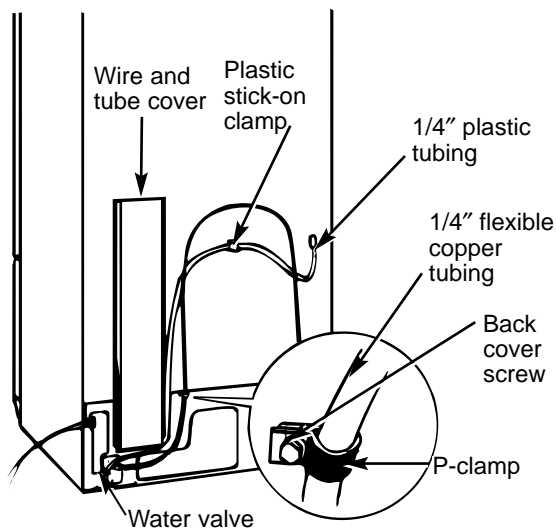
## 5 CONNECT COPPER TUBING TO REFRIGERATOR.

Before making connection to the refrigerator, be sure refrigerator power cord is not plugged into wall outlet.

- a. Turn water on and flush out the tubing, making certain that all foreign matter is removed from the line.
- b. Shut the water off after about 1 quart of water has been flushed through the tubing.

**NOTE:** Some localities may have sand or other foreign matter present in the water supply in such quantities that they may, in time, collect in the screen of the water valve attached to the back of the refrigerator and tend to reduce the water flow to the icemaker. Where such conditions exist, we recommend that an additional filter or strainer be installed in the line near the refrigerator. If a screen type strainer is used, it should be 80 mesh or finer.

- c. Cut off the flared end of the copper tubing and remove the flare nut from the tubing.
- d. Remove the plastic cap from the water valve and plastic tube assembly.
- e. Connect copper tubing to the refrigerator water valve. Place the 1/4" compression nut and ferrule onto the end of the tubing as shown on page 10.
- f. Insert the end of the copper tubing into the water valve as far as possible. While holding the tubing, tighten the fitting, then pull on the tube to check for a secure connection. **DO NOT OVERTIGHTEN.**



- g. Secure the 1/4 inch flexible copper tubing with the P-clamp at the back horizontal cover, using the existing cover screw.

## 6 TURN ON WATER AND CHECK ALL JOINTS FOR LEAKS.

Tighten fittings if required to stop leaks.

## 7 PLUG REFRIGERATOR POWER CORD INTO APPROPRIATE ELECTRICAL OUTLET.

## 8 SET THE ICEMAKER FEELER ARM TO THE ON (DOWN) POSITION.

The icemaker will not begin to operate until it reaches its operating temperature of 15°F. or below. It will then begin operation automatically.

## 9 MOVE THE REFRIGERATOR BACK TO THE WALL.

Arrange the coil of copper tubing so that it does not vibrate against the back of the refrigerator or against the wall. Make sure the copper tubing does not get kinked.

### NOTE:

The first few batches of cubes should be thrown away, so that remaining impurities in the water line will be flushed out.

# YOUR AUTOMATIC ICEMAKER WARRANTY

**Staple sales slip or cancelled check here. Proof of original purchase date is needed to obtain service under warranty.**

## WHAT IS COVERED

### FULL ONE-YEAR WARRANTY

For one year from date of original purchase, we will provide, free of charge, parts and service labor in your home to repair or replace **any part of the automatic icemaker** that fails because of a manufacturing defect.

\*\*\*\*\*

This warranty is extended to the original purchaser and any succeeding owner for products purchased for ordinary home use in the 48 mainland states, Hawaii and Washington, D.C. In Alaska the warranty is the same except that it is LIMITED because you must pay to ship the product to the service shop or for the service technician's travel costs to your home.

All warranty service will be provided by our Factory Service Centers or by our authorized Customer Care® servicers during normal working hours.

Should your appliance need service, during warranty period or beyond, call 800-GE-CARES (800-432-2737).

## WHAT IS NOT COVERED

- Service trips to your home to teach you how to use the product.

**Read your Use and Care material.** If you then have any questions about operating the product, please contact your dealer or our Consumer Affairs office at the address below, or call, toll free:

GE Answer Center®  
800.626.2000  
consumer information service

- Improper installation.

If you have an installation problem, contact your dealer or installer. You are responsible for providing adequate electrical, plumbing and

other connecting facilities, including the water line to the icemaker and the water line installation.

- Replacement of house fuses or resetting of circuit breakers.
- Failure of the product if it is used for other than its intended purpose or used commercially.
- Damage to product caused by accident, fire, floods or acts of God.

**WARRANTOR IS NOT RESPONSIBLE FOR CONSEQUENTIAL DAMAGES.**

Some states do not allow the exclusion or limitation of incidental or consequential damages, so the above limitation or exclusion may not apply to you. This warranty gives you specific legal rights, and you may also have other rights which vary from state to state. To know what your legal rights are in your state, consult your local or state consumer affairs office or your state's Attorney General.

**Warrantor: General Electric Company**

**If further help is needed concerning this warranty, write:  
Manager—Consumer Affairs, GE Appliances, Louisville, KY 40225**

Part No. 162D1599P008  
Pub No. 49-60081

UK-KIT-3S

1-00 JR

Printed in the United States

10527049