

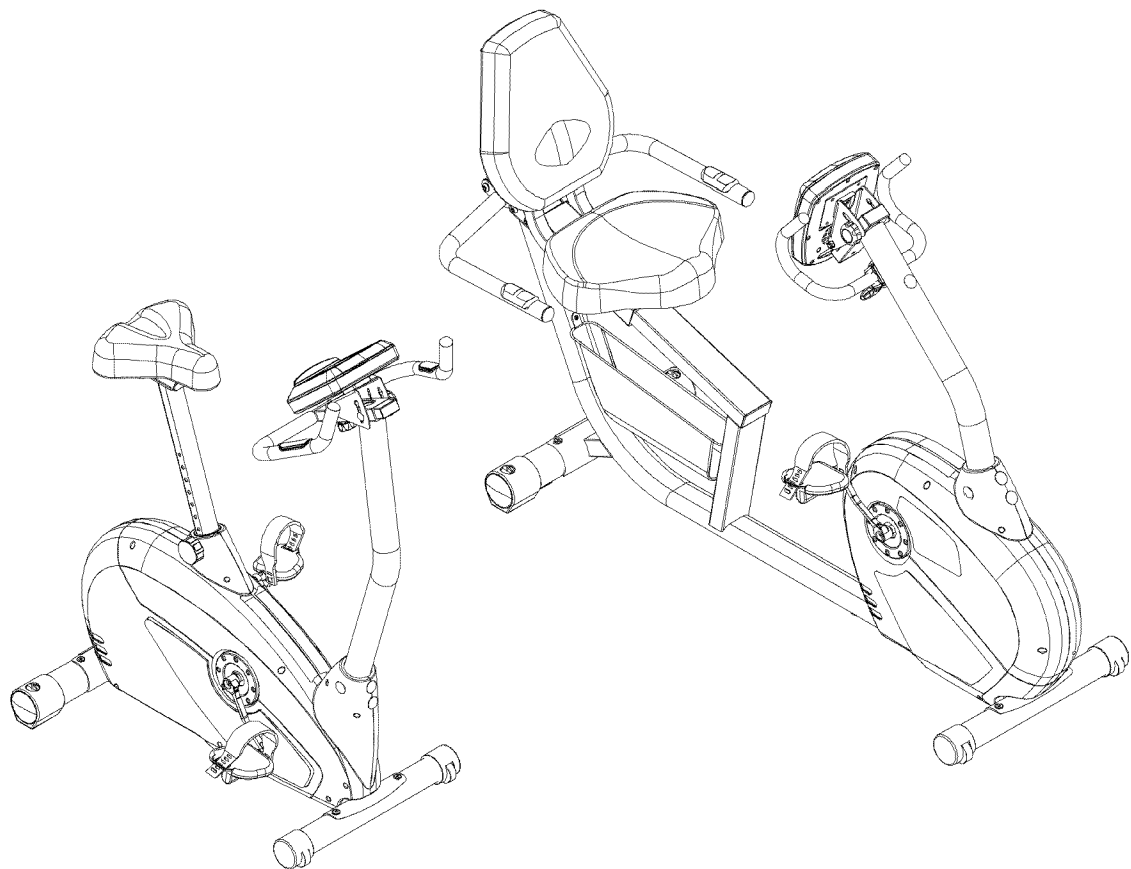


SCHWINN FITNESS

Schwinn® 140/240 Exercise Bikes



**Owner's Manual
Manuel du Propriétaire**



EN FRC

Ver página 2

Español Americano Latino

Nautilus®

Bowflex®

Schwinn® Fitness

StairMaster®

Universal®

Español Americano Latino

Para obtener este manual en Español Latino Americano vaya a:
<http://www.schwinnfitness.com>.

Table of Contents

Important Safety Instructions	3	User Setup	13
Specifications	5	Workout Programs	14
Features	6	Pausing or Stopping	16
Console	7	Console Setup Mode	16
Remote Heart Rate Monitor	9	Maintenance	17
Operations	11	Troubleshooting	19
Adjustments	11	Contacts	23
Quick Start/Manual Program	12	Manuel du Propriétaire	25

© 2009 Nautilus, Inc., All rights reserved

™ and ® indicate a trademark or registered trademark. Nautilus, Inc. (www.nautilus.com) trademarks include NAUTILUS®, BOWFLEX®, STAIRMASTER®, SCHWINN® and UNIVERSAL® and respective logos. Other trademarks are the property of their respective owners.

Patent Information

This product may be covered by US and Foreign Patents and Patents Pending.

Important Safety Instructions



This icon means a potentially hazardous situation which, if not avoided, could result in death or serious injury.

Before using this equipment, obey the following warnings:

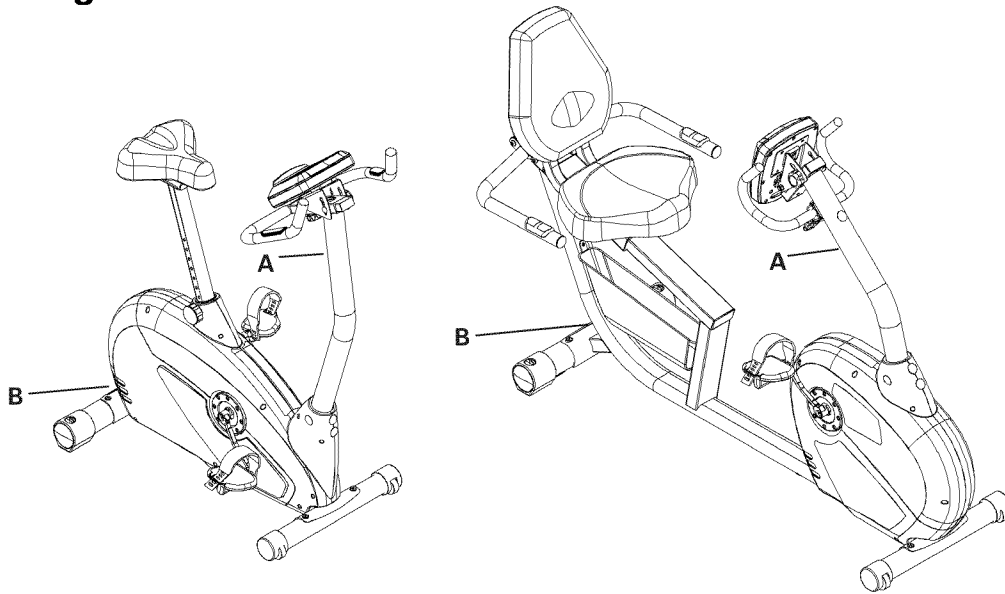


Read and understand the complete Owner's Manual. Keep Owner's Manual for future reference

Read and understand all warnings on this machine. If at any time the Warning stickers become loose, unreadable or dislodged, contact Nautilus® Customer Service for replacement stickers.

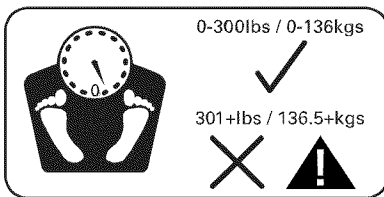
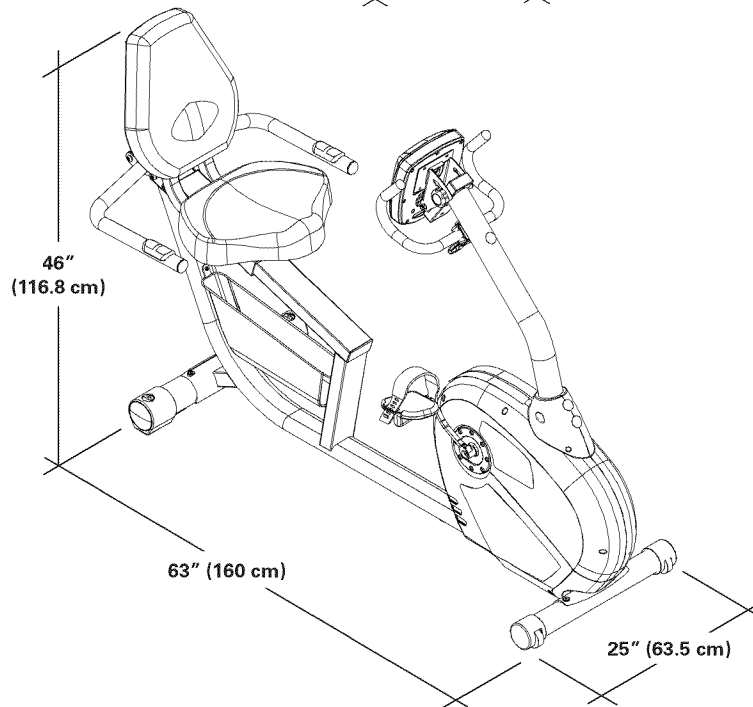
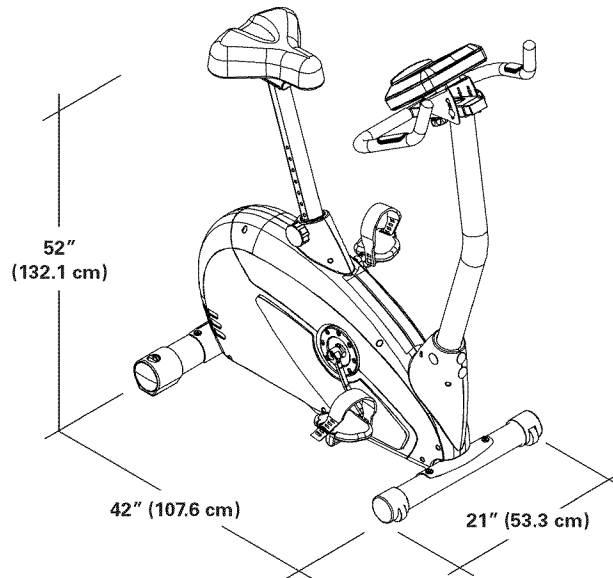
- Children must not be let on or near to this machine. Moving parts and other features of the machine can be dangerous to children.
- Consult a physician before you start an exercise program. Stop exercising if you feel pain or tightness in your chest, become short of breath, or feel faint. Contact your doctor before you use the machine again. Use the values calculated or measured by the machine's computer for reference purposes only.
- Examine this machine for loose parts or signs of wear. Monitor the Seat, Pedals, and Crank Arms closely. Do not use if found in this condition. Contact Nautilus® Customer Service for repair information.
- Maximum user weight limit: 300 lbs. (136 kgs). Do not use if you are over this weight.
- This machine is for home use only.
- Do not wear loose clothing or jewelry. This machine contains moving parts.
- Set up and operate this machine on a solid, level, horizontal surface.
- Stabilize the Pedals before you step on them. Use caution when you step off the machine.
- Disconnect all power before servicing this machine.
- Keep at least 19.7" (0.5 m) on each side of the machine clear. This is the recommended safe distance for access and passage around and emergency dismounts from the machine. Keep third parties out of this space when machine is in use.
- Do not over exert yourself during exercise. Operate the machine in the manner described in this manual.
- Correctly adjust and safely engage all Positional Adjustment Devices. Make sure that the Adjustment Devices do not hit the user.

Safety Warning Labels and Serial Number



Type	Description
A WARNING	<ul style="list-style-type: none"> • Keep children away. • Prior to use, read and understand the Owners Manual. • Injury or death is possible if Caution is not used while using this machine. • The maximum user weight for this machine is 300 lbs (136 kg). • Replace any “Caution”, “Warning” or “Danger” label that is illegible, damaged, or removed. • This machine is for home use only.
AVERTISSEMENT	<ul style="list-style-type: none"> • Gardez les enfants et les animaux de compagnie éloignés de cette machine en tout temps. • Lisez et familiarisez-vous avec le Manuel du propriétaire et avec tous les avertissements avant d'utiliser cette machine. • Soyez prudent lorsque vous utilisez cet équipement pour ne pas vous infliger de graves blessures. • Cette machine supporte un poids maximal de 300 lbs (136 kg). • Remplacez toute étiquette d'avertissement endommagée, illisible ou manquante. • Cette machine est à usage domestique uniquement.
B Serial Number	Record serial number on Contacts page at end of this manual.

Specifications



Power Requirements

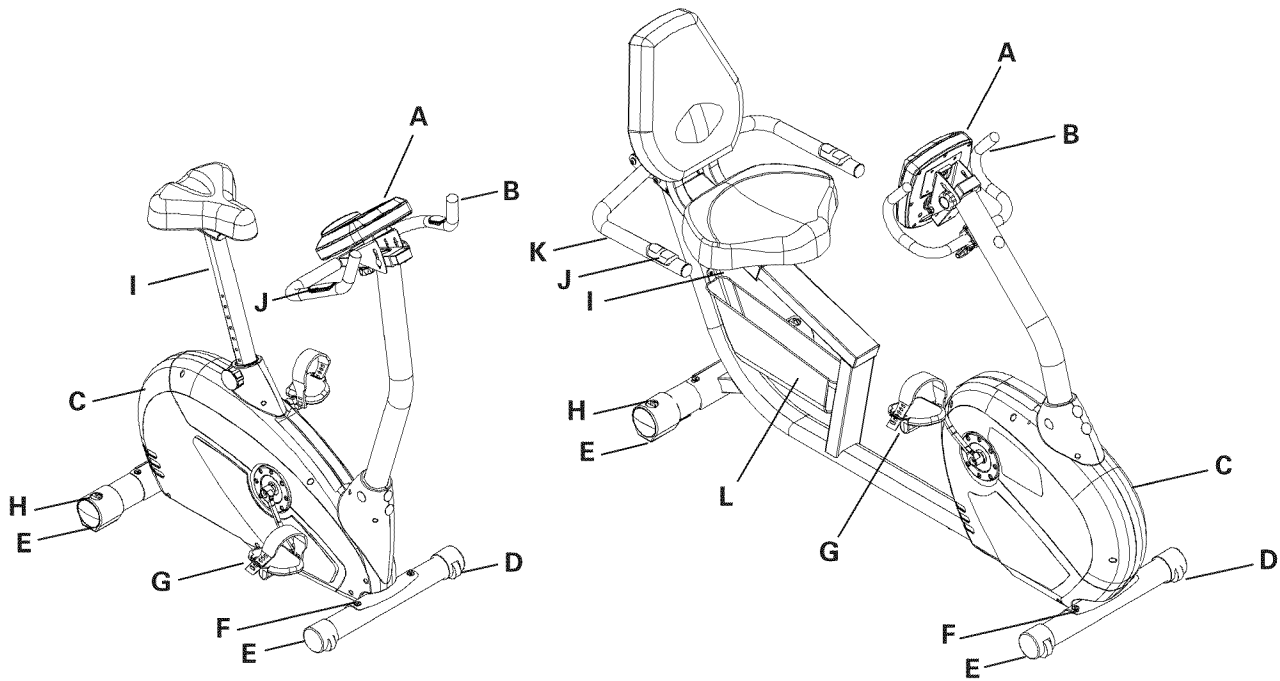
Operational Voltage 9VDC

Operating Current 500 mA

Regulatory Approvals

AC Power Adapter: UL listed, CSA certified (or equivalent), Rated 120V60Hz Input, 9VDC, 500mA Output. Class 2 or LPS.

Features

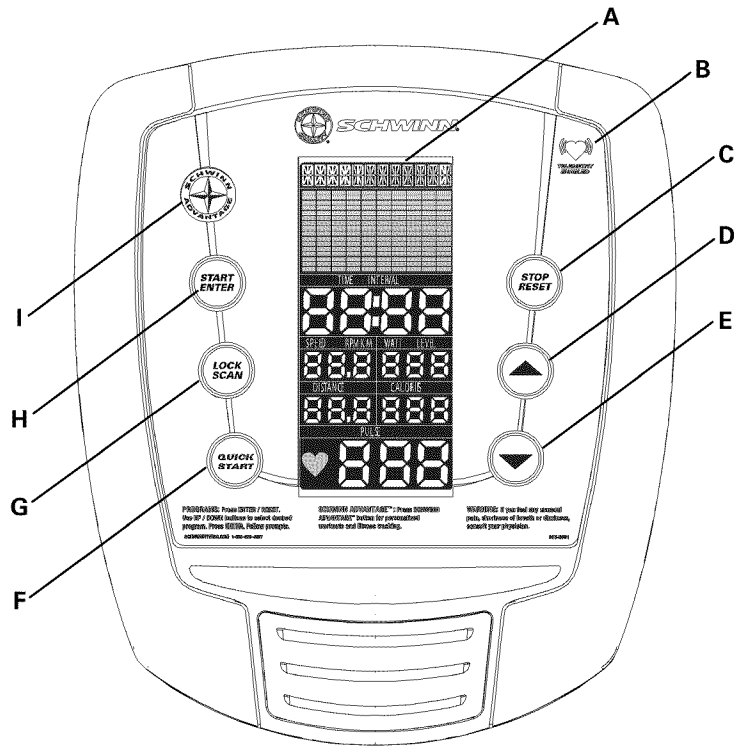


A	Console	G	Pedals
B	Handlebars, Upright	H	Leveler
C	Fully Shrouded Flywheel	I	Adjustable Seat
D	Transport Wheels	J	Contact Heart Rate (CHR) Sensors
E	Stabilizers	K	Handlebars, Side
F	AC Adapter Plug	L	Magazine Rack

Console

The Console provides important information about your workout and lets you control the resistance levels while you exercise. The Console has a grid display with touch control buttons to navigate you through the exercise programs.

Console Features

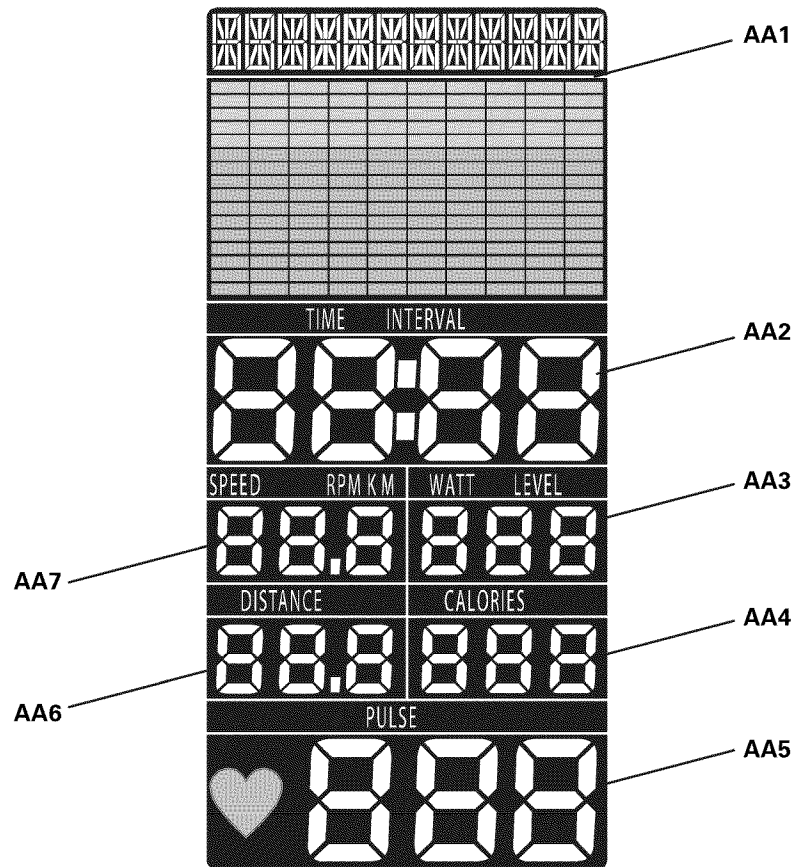


A	Backlit LCD Display
B	Telemetric Heart Rate — Reads heart rate signal from heart rate chest strap
C	STOP/RESET button — Pauses an active workout, and if pushed again, ends the workout
D	Increase button (▲) — Increases a value (age, time, distance, calories, or workout resistance level)
E	Decrease button (▼) — Decreases a value (age, time, distance, calories, or workout resistance level)
F	QUICK START button — Begins a Quick Start workout.
G	LOCK/SCAN button — Cycles through your workout variables for 6 seconds each. Push STOP/RESET for manual control of the scan function. Push STOP/RESET again to exit the scan mode
H	START/ENTER button — Starts a Program workout, confirms information, or resumes a paused workout
I	Schwinn Advantage™ — Starts user data edit mode

LCD

The multi-function, backlit LCD shows your workout measurements (during the workout), results, user setup data and console diagnostics.

LCD Display Data



AA1	Program Display	AA5	PULSE
AA2	TIME / INTERVAL	AA6	DISTANCE
AA3	WATT / LEVEL	AA7	SPEED / RPM KM
AA4	CALORIES		

Note: To change the measurement units to English Imperial or metric, refer to the “Console Setup Mode” section in this manual.

Program Display

The Program Display shows the name of the program selection and the dot-matrix area shows the course profile for the program. Each column in the profile shows one interval (1/40 of the total program time). The higher the column, the higher the resistance level and/or speed for that interval. The flashing column shows your current interval.

Time/Interval

The TIME/INTERVAL display field shows the time count in the workout. If no preset time is set up for the current workout program, the display value starts at zero and counts forward until the end of the workout. Maximum time is 99:59.

If the workout has a preset time, the display starts at the preset value and counts down to zero. The display shows the total time count for the workout, then the time count for the current interval.

Watt/Level

The WATT/LEVEL display field shows the power that you are producing at the current resistance level (1 horsepower = 746 watts) for 6 seconds, the resistance level (1–16) for 6 seconds.

Calories

The CALORIES display field shows the estimated calories that you have burned during the exercise. If no calorie goal is set up for the current workout program, the display value starts at zero and counts forward until the end of the workout. If the workout has a calorie goal, the display starts at the preset value and counts down to zero.

Pulse

The Pulse display field shows the heart rate in beats per minute (BPM) from the heart rate monitor (HRM).



Consult a physician before you start an exercise program. Stop exercising if you feel pain or tightness in your chest, become short of breath, or feel faint. Contact your doctor before you use the machine again. Use the values calculated or measured by the machine's computer for reference purposes only.

Distance

The DISTANCE display field shows the distance count (miles or km) in the workout. If no distance goal is set up for the current workout program, the display value starts at zero and counts forward until the end of the workout. If the workout has a distance goal, the display starts at the preset value and counts down to zero.

Speed/RPM KM

The SPEED/RPM KM display field shows the machine speed in kilometers per hour (km/h) or miles per hour (mph) for 6 seconds, then the revolutions per minute (RPM) for 6 seconds.

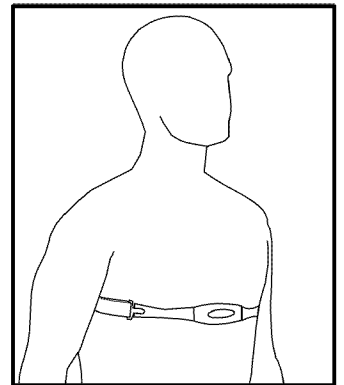
Remote Heart Rate Monitor

Monitoring your Heart Rate is one of the best procedures to control the intensity of your exercise.

Contact Heart Rate (CHR) sensors are installed to send your heart rate signals to the Console. The Console can also read telemetry HR signals from a Heart Rate Chest Strap Transmitter. The Console shows your Heart Rate in Beats Per Minute (BPM).



If you have a pacemaker or other implanted electronic device, consult your doctor before using a wireless chest strap or other telemetric heart rate monitor.



Contact Heart Rate Sensors

Contact Heart Rate (CHR) sensors send your heart rate signals to the Console. The CHR sensors are the stainless steel parts of the Handlebars. To use, put your hands comfortably around the sensors. Be sure that your hands touch both the top and the bottom of the sensors. Hold firm, but not too tight or loose. Both hands must make contact with the sensors for the Console to detect a pulse. After the Console detects four stable pulse signals, your initial pulse rate will be shown.

Once the Console has your initial heart rate, do not move or shift your hands for 10 to 15 seconds. The Console will now validate the heart rate. Many factors influence the ability of the sensors to detect your heart rate signal:

- Movement of the upper body muscles (including arms) produces an electrical signal (muscle artifact) that can interfere with pulse detection. Slight hand movement while in contact with the sensors can also produce interference.
- Calluses and hand lotion may act as an insulating layer to reduce the signal strength.
- Some Electrocardiogram (EKG) signals generated by individuals are not strong enough to be detected by the sensors.

CHR detection may be limited to walking or slow jogging due to the extreme muscle artifacts and hand motion generated by a comfortable running style. If your heart rate signal ever seems erratic after validation, wipe off your hands and the sensors and try again.

Heart Rate Calculations

Your maximum heart rate usually decreases from 220 Beats Per Minute (BPM) in childhood to approximately 160 BPM by age 60. This fall in heart rate is usually linear, decreasing by approximately one BPM for each year. There is no indication that training influences the decrease in maximum heart rate. Individuals of the same age could have different maximum heart rates. It is more accurate to find this value by getting a stress test than by using an age related formula.

Your at rest heart rate is influenced by endurance training. The typical adult has an at rest heart rate of approximately 72 BPM, where as highly trained runners may have readings of 40 BPM or lower.

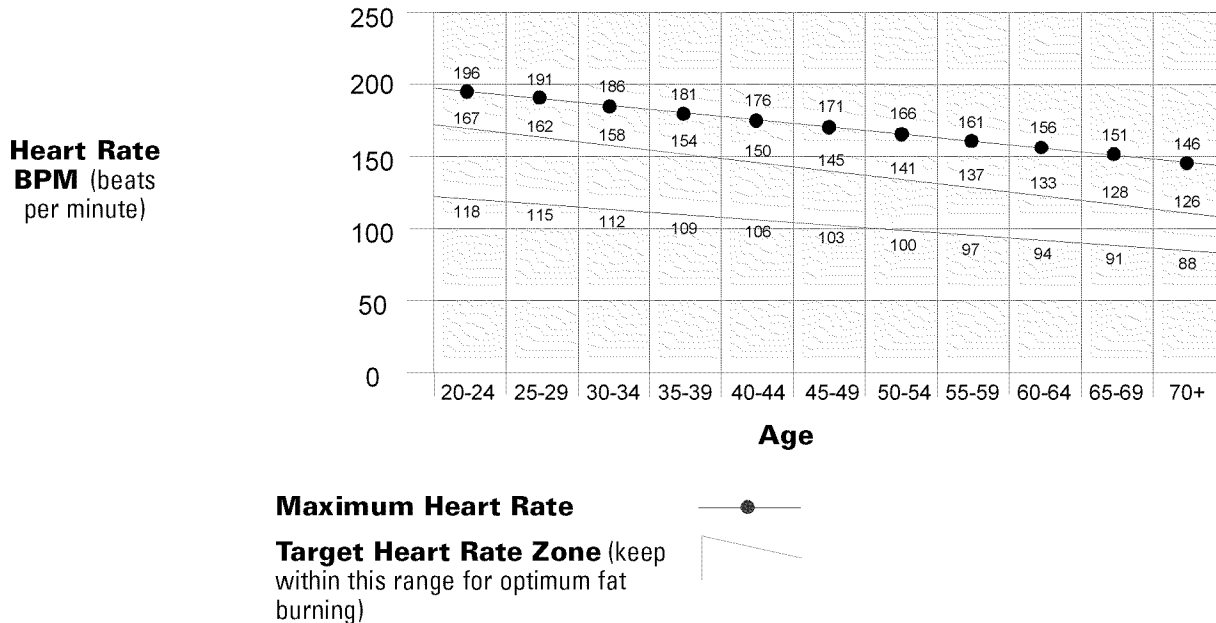
The Heart Rate table is an estimate of what Heart Rate Zone (HRZ) is effective to burn fat and better your cardiovascular system. Physical conditions vary, therefore your individual HRZ could be several beats higher or lower than what is shown.

The most efficient procedure to burn fat during exercise is to start at a slow pace and gradually increase your intensity until your heart rate reaches between 60 – 85% of your maximum heart rate. Continue at that pace, keeping your heart rate in that target zone for over 20 minutes. The longer you maintain your target heart rate, the more fat your body will burn.

The graph is a brief guideline, describing the generally suggested target heart rates based on age. As noted above, your optimal target rate may be higher or lower. Consult your physician for your individual target heart rate zone.

Note: As with all exercises and fitness regimens, always use your best judgment when you increase your exercise time or intensity.

Fat Burning Target Heart Rate



Operations

What to Wear

Wear rubber-soled athletic shoes. You will need the appropriate clothes for exercise that allow you to move freely.

How Often Should You Exercise



Consult a physician before you start an exercise program. Stop exercising if you feel pain or tightness in your chest, become short of breath, or feel faint. Contact your doctor before you use the machine again. Use the values calculated or measured by the machine's computer for reference purposes only.

- 3 times a week for 30 minutes each day.
- Schedule workouts in advance. Try to work out even when you do not want to.

Seat Adjustment

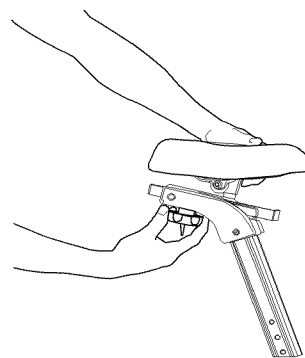
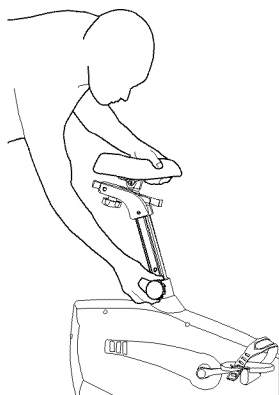
Correct seat placement encourages exercise efficiency and comfort, while reducing the risk of injury.

1. With a Pedal in the forward position, center the ball of your foot over the center of it. Your leg should be bent slightly at the knee.
2. If your leg is too straight or your foot cannot touch the Pedal, move the seat down on the upright bike or forward on the recumbent bike. If your leg is bent too much, move the seat up on the upright bike or rearward on the recumbent bike.



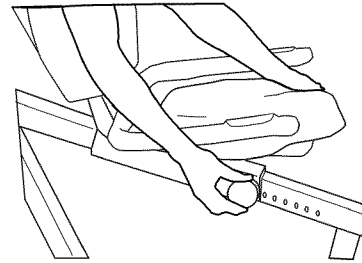
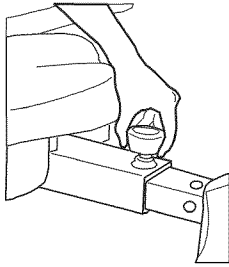
Step off the bike before you adjust the seat.

- **Upright bike**—pull the adjustment knob on the seat tube. Adjust the seat to the desired height. Release the adjustment knob to engage the locking pin. Be sure that the pin is fully engaged. To move the upright seat closer to, or away from the console, loosen the knob. Slide the seat forward or rearward to the desired position and tighten the knob.



- **Recumbent bike**—pull the adjustment knob on the seat bracket. Slide the seat to the desired position. The adjustment knob will “pop” into the next hole. Turn the knob to fully tighten and make sure the seat is stable.

Note: Different models can have the knob on the top or the side of the seat bracket.

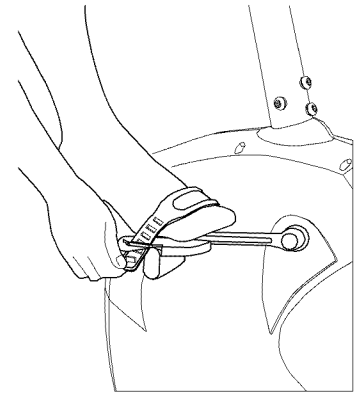


Foot Position / Pedal Strap Adjustment

Foot pedals with straps provide secure footing to the exercise bike.

1. Put the ball of each foot on the Pedals.
2. Rotate the Pedals until one can be reached.
3. Fasten the strap over the shoe.
4. Repeat for the other foot.

Be sure toes and knees point directly forward to ensure maximum Pedal efficiency. Pedal straps can be left in position for subsequent workouts.



Adjust Console

To adjust the console tilt position:

1. Loosen the knob below the console.
2. Carefully move the console tilt to one of the available positions.
3. Tighten the knob.

Power-Up Mode

The Console will enter POWER-UP mode if it is plugged into a power source, any button is pushed, or if it receives an indication from the RPM sensor as a result of pedaling the machine.

Auto Shut-Off (Sleep Mode)

If the Console does not receive any input in approximately 5 minutes, it will automatically shut off. The LCD display is off while in Sleep Mode.

Note: The Console does not have an On/Off switch.

Quick Start / Manual Program

The Quick Start / Manual program lets you start a workout without entering any information.

1. Step on the machine.
2. Push the QUICK START button to start the QUICK START / MANUAL program.
3. Push the Increase or Decrease buttons to change the resistance level. The default Quick Start resistance level is 3. The time will count up from 00:00.
4. Push STOP when done with your workout.

Workout Program Selection

To go to the Program Menu, you must first make a User selection in the User menu. Use the Increase/Decrease buttons to look at

the User menu options. You can use the Guest User option to go to the Program Menu without user setup data. If you want to save your workout data, refer to the User Setup procedure in this manual.

User Setup – Schwinn Advantage™

The Schwinn® 40 Series console lets you store and use 2 User profiles (U1 and U2) in addition to a Guest User with no setup data stored. The Schwinn Advantage™ feature automatically records your workout results in your User profile, and lets you track your fitness progress and edit data.

The User profile stores the following information:

1. Name — up to 12 characters
2. Total number of workouts
3. Total hours
4. Total distance
5. Total calories
6. Starting weight
7. Target weight
8. Current weight
9. Weight change (Starting Weight – Current Weight)
10. Height
11. Age
12. Custom Workout (program profile, time)

Select / Add User

1. From the POWER UP MODE screen, push the Increase/Decrease buttons to move through the User menu options.

Note: ADD USER and GUEST USER are the only options if no Users are set up. If all User profiles are in use, the ADD USER option will not be available.

2. Push START/ENTER to make your selection. If you select GUEST USER or a User (U1 or U2), you can go to the Program Menu to start a workout.

Note: Push the STOP/RESET button to go back to the previous screen or character.

3. In the ADD USER option, push START/ENTER 2 times and the console display will show the Name prompt.

Note: Use the Increase/Decrease buttons to move through the alphabet (or numbers). To record each letter, push the START/ENTER button. Push START/ENTER for a space.

If your name does not fill the spaces on the Name screen, tap the START/ENTER button to add spaces until the next data screen appears.

4. Enter your user data on each screen — Weight, Height, Age, Custom Workout.
5. To set up the Custom Workout, push START/ENTER 2 times. The Program Display will have a default resistance level of 1 for all columns. Adjust the resistance level of the active column (flashing) with the Increase/Decrease buttons. Push START/ENTER to record the resistance level. The completed columns move off the screen to the left, and the next column is active. Continue until all 40 columns are set.
6. The screen shows the message “USER ADDED” and you go to the Program Menu.

Edit User Data

1. From the POWER UP MODE screen press the Schwinn Advantage™ button (Schwinn® Quality Seal).
2. Push the Increase/Decrease buttons to move to a User.
3. Push START/ENTER make the User selection.

4. The Edit options appear on the display: View, Edit, Delete. Push START/ENTER to make your selection.

VIEW — The display shows these screens: Total Workouts, Total Hours, Total Miles (km), Total Calories, Starting Weight, Target Weight, Current Weight, Weight Change.

EDIT — You can edit the values for: Current Weight, Target Weight, Current Height, Enter Age, Custom Workout. Push START/ENTER to set each value after you make the change. When the changes are complete, tap the START/ENTER or STOP/RESET button until you are out of the Edit option.

DELETE — To delete the User data, push START/ENTER. To cancel the deletion, push STOP/RESET.

Custom Workout

After your Custom Workout is set up in your User Profile, you can start the program from the Custom Workout option in the Program Menu. The console display will prompt you to set the Time for the workout (default is 30:00). Use the Increase/Decrease buttons to adjust the Time value, and push START/ENTER to set the time.

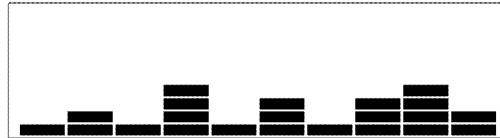
Profile Programs

These programs automate different resistances and workout levels.

Course 1



Course 2



Course 3



Circuit 1



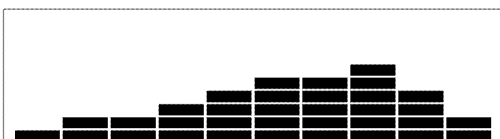
Circuit 2



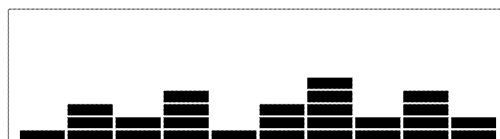
Circuit 3



Pursuit 1



Pursuit 2



To start a Profile Program:

1. Step on the machine.
2. Use the Increase or Decrease buttons to select a user (guest or custom) and push START/ENTER.
3. Use the Increase or Decrease buttons to select one of the above programs. Push START/ENTER.
4. Use the Increase and Decrease buttons to answer the setup questions. Push START/ENTER to record your answers.

Note: The default value for TIME is 30:00. The default start value for LEVEL is 8 .

5. Push the START/ENTER button to start the profile workout.

Changing Resistance Levels

Push the Increase or Decrease buttons to change the resistance level at any time in a workout program.

Fitness Test

The Fitness Test measures the improvements of your physical fitness level. The test compares your power output (in Watts) to your heart rate. As you become more fit you will produce more power (Watts) at a given heart rate.

When the test starts, the power (Watts) slowly increases. This means you will work harder, and as a result, your heart rate increases. The Watts continue to increase automatically until your heart rate reaches the "Test Zone." This zone is individually computed to be near 75 percent of your maximum heart rate. When you reach the Test Zone your machine holds the Watts steady for 3 minutes. This lets you reach a stable condition (where your heart rate becomes steady). At the end of the 3 minutes, the Console measures your heart rate and the power output (Watts). These numbers, along with information about your age and weight, are computed to produce a "Fitness Score".

Note: Fitness Test scores should only be compared to your previous scores and not other users.

Over time, you will output more Watts of power at a certain Heart Rate. Compare your Fitness Scores to see your improvement.

Heart Rate Control (HRC) Program

The Heart Rate Control (HRC) program lets you set a heart rate goal for your workout. The program monitors your heart rate in beats per minute (BPM) from the Contact Heart Rate (CHR) sensors on the machine or from a Heart Rate Monitor (HRM) chest strap.

Note: The console must be able to read the heart rate information from the CHR sensors or HRM for the HRC program to work correctly.

If you go to the HRC program from your User profile, the Target Heart Rate program uses your age and other user setup information to set the Heart Rate Zone values for your workout. If you are a Guest User, you must enter your age and weight. The console display then gives prompts for you to set up your workout:

1. Set the workout level: FIT (beginner) or GETTING FIT (advanced).
2. Set the percentage of maximum heart rate: 60–70%, 70–80%, 80–90%.



Consult a physician before you start to exercise in the 80–90% heart rate zone.

3. Set the Time for the workout. (The default value is 10:00.)

For more detailed information about fitness zones, please refer to the fitness information on our website:

www.schwinnfitness.com

Distance Goal

The Distance Goal Program lets you set the total Distance and Pacer Speed for your workout. If you are a Guest User, you must enter your weight. The console display then gives prompts for you to set up your workout:

1. Enter the distance with the Increase/Decrease buttons (default is 20 mi/ 20 km). Push START/ENTER.
2. Enter the pacer speed with the Increase/Decrease buttons (default is 25 mph/ 25 km/h). Push START/ENTER.

3. The exercise starts at level 1. To adjust the resistance, use the Increase/Decrease buttons.
4. The TIME display starts to count up from 00:00.

Results / Cool Down Mode

After a workout the TIME display shows 00:00 and the console shows the Workout Results. You can start your workout cool down. The LCD display shows each workout data value for 4 seconds: TIME, MILES (KM), CALORIES, CAL/HR, AVG/MPH (KMH), AVG PWR, AVG/HR, MAX HR. The PULSE display shows the current BPM value. The LEVEL display starts at 1.

If there is no RPM or PULSE signal, the console automatically goes into Sleep Mode.

Pausing or Stopping

1. Push the STOP/RESET button to pause your workout. WORKOUT PAUSED mode shows on the Display.
2. Push START/ENTER to continue your workout, or push the STOP/RESET button to stop the workout.


Console Setup Mode


The Console Setup Mode lets you set the units of measure to either English or Metric, adjust the contrast of the display, and stop or start the motivational messages. Motivational messages show on the screen to increase your enthusiasm and to give positive feedback while you are working out.


1. Hold down the LOCK/SCAN button and Increase button together for 3 seconds while in the POWER-UP MODE to go into the CONSOLE SETUP MODE.
2. Push the Increase/Decrease buttons to change between ELLIPTICAL and BIKE.
3. Push START/ENTER to set.
4. Push the Increase/Decrease buttons to change between ENGLISH and METRIC units.
5. Push START/ENTER to set.
6. Push Increase/Decrease to adjust the screen contrast (BACKLIGHTS; "5" = maximum intensity, "1" = minimum).
7. Push START/ENTER to set.
8. The Console shows TOTAL HOURS.
9. Push START/ENTER.
10. Push Increase/Decrease to turn motivational messages off or on.
11. Push START/ENTER to set.
12. Push Increase/Decrease to set which software version to use ("SW30 V1.0" = x20 machine, "SW40 V1.0" = x40 machine, or "NLS 514" = 514 machine).
13. Push START/ENTER to set.

Note: Push STOP/RESET for previous screen.

Maintenance

 Equipment must be regularly examined for damage and repairs. The owner is responsible to make sure that regular maintenance is done. Worn or damaged components must be replaced immediately or the equipment removed from service until the repair is made. Only manufacturer supplied components can be used to maintain and repair the equipment.

 This product, its packaging, and components contain chemicals known to the State of California to cause cancer, birth defects, or reproductive harm. This Notice is provided in accordance with California's Proposition 65. If you would like additional information, please refer to our Web site at www.nautilus.com/prop65

 DANGER To reduce the risk of electrical shock, always unplug the power cord and wait 5 minutes before cleaning, maintaining or repairing this machine.



Daily



Monthly



Weekly



Before each use, examine the exercise machine for loose, broken, damaged, or worn parts. Do not use if found in this condition. Repair or replace all parts at the first sign of wear or damage. After each workout, use a damp cloth to wipe your machine and Console free of sweat.

Note: Avoid excessive moisture on the Console.



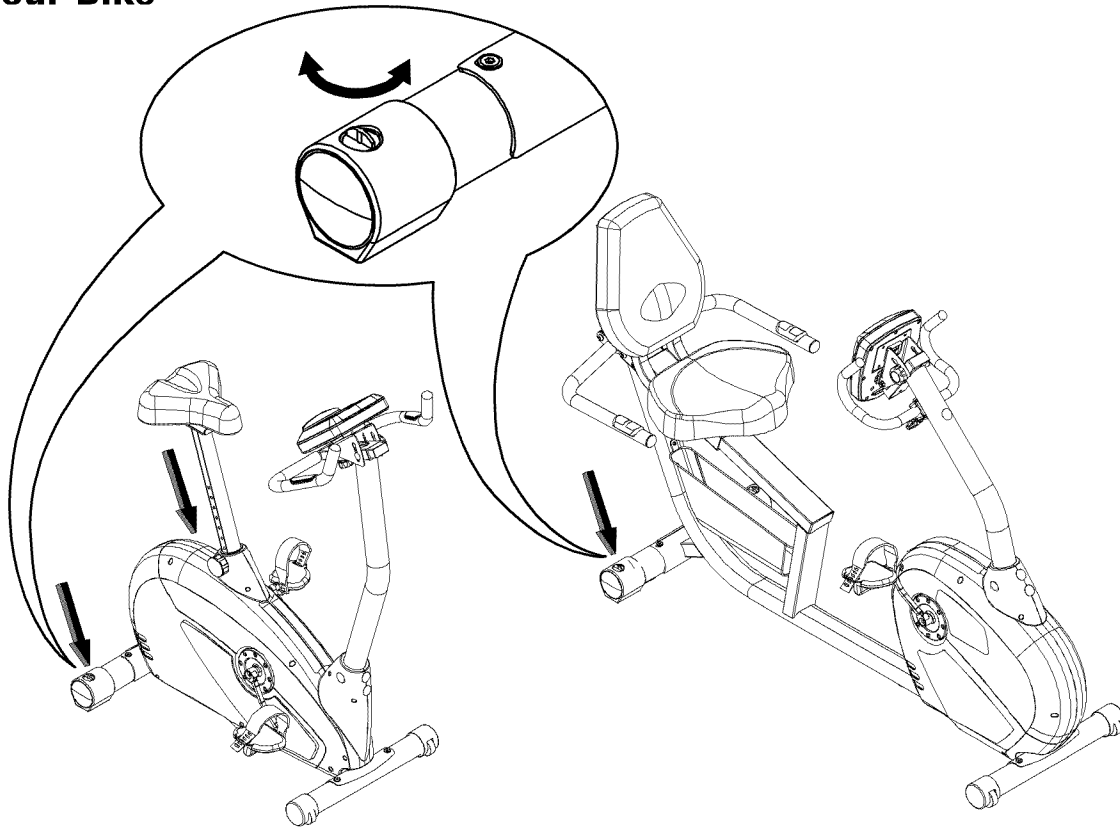
Check for smooth seat slider, handlebar slider, and console tilt operation. Clean the machine to remove any dust, dirt, or grime from the surfaces. If needed, sparingly apply a thin coating of silicone lube to ease operation.

Note: Do not use petroleum based products.



Check pedals and crank arms and tighten as necessary. Make sure all bolts and screws are tight. Tighten as necessary.

Level Your Bike

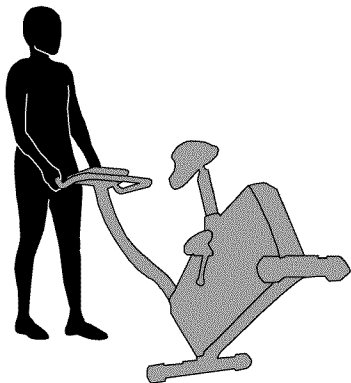


Levelers are found on each side of the Rear Stabilizer. Turn the knob to adjust the stabilizer foot. Make sure the bike is level and stable before you exercise.

Moving Your Bike

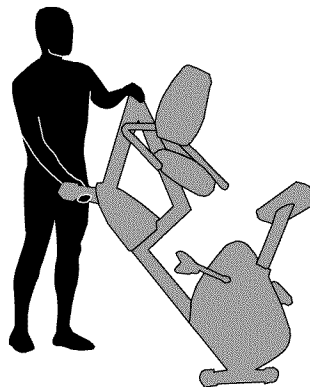
Upright

To move the upright bike, carefully pull the Handlebars toward you while pushing the front of the bike downward. Push the bike to the desired location.



Recumbent

To move the recumbent bike, carefully lift the rear end of the bike and slowly push the bike to the desired location.



NOTICE:

Be careful when you move the bike. All abrupt motions can affect the computer operation.

Troubleshooting

Problem	Check	Solution
No display/partial display/unit will not turn on	Check electrical (wall) outlet	Make sure unit is plugged into a functioning wall outlet.
	Check connection at front (recumbent) or rear (upright) of unit	Connection should be secure and undamaged. Replace adapter or connection at unit if either are damaged.
	Check data cable integrity	All wires in cable should be intact. If any are visibly crimped or cut, replace cable.
	Check data cable connections/orientation	Insure cable is connected securely and oriented properly. Small latch on connector should line up and snap into place.
	Check console display for damage	Check for visual sign that console display is cracked or otherwise damaged. Replace Console if damaged.
	Console Display	If Console only has partial display and all connections are fine, replace the Console. If the above steps do not resolve the problem, contact Customer Care for further assistance.
Unit operates but Contact HR not displayed	HR cable connection at Console	Insure cable is connected securely to Console.
	HR cable box connection (recumbent only)	Insure cables from handlebars and cable to Console are secure and undamaged. Some models may require the seat back be raised to access cable box.
	Sensor grip	Insure hands are centered on HR sensors. Hands must be kept still with relatively equal pressure applied to each side.
	Dry or calloused hands	Sensors may have difficulty with dried out or calloused hands. A conductive electrode cream such as "Signa Crème" or "Buh-Bump" can help make better conduct. These are available on the web or at medical or some larger fitness stores.
	Handlebars	If tests reveal no other issues, Handlebars should be replaced.
Unit operates but Telemetric (if equipped) HR not displayed	Chest Strap	Strap should be "Polar" compatible. Make sure strap is directly against skin and contact area is moist.
	Interference	Try moving unit away from sources of interference (TV, Microwave, etc). If interference is eliminated and HR still does not function, replace strap and Console.

Console displays "E2" error code	Check data cable integrity	All wires in cable should be intact. If any are cut or crimped, replace cable.
	Check data cable connections/orientation	Insure cable is connected securely and oriented properly. Small latch on connector should line up and snap into place.
	Console Electronics	If tests reveal no other issues, Console should be replaced.
No speed/RPM reading, Console displays "E3" error code	Check data cable integrity	All wires in cable should be intact. If any are cut or crimped, replace cable.
	Check data cable connections/orientation	Insure cable is connected securely and oriented properly. Small latch on connector should line up and snap into place.
	Check magnet position (requires shroud removal)	Magnet should be in place on flywheel. If no magnet is present, replace the flywheel or the entire base unit (if unable to replace flywheel).
	Check RPM Sensor (requires shroud removal)	RPM sensor should be aligned with magnet and connected to data cable. Realign sensor if necessary. Replace if there is any damage to the sensor or the connecting wire.
Console shuts off (enters sleep mode) while in use	Check data cable integrity	All wires in the cable should be intact. If any are cut or crimped, replace cable.
	Check data cable connections/orientation	Insure cable is connected securely and oriented properly. Small latch on connector should line up and snap into place.
	Reset Machine (if equipped with reset button)	Unplug unit from electrical outlet for 3 minutes. Reconnect to outlet. After the Console powers up, press "reset".
	Check magnet position (Technician only- requires shroud removal)	Magnet should be in place on flywheel. If no magnet is present, replace flywheel or entire base unit.
	Check RPM Sensor	Contact Customer Care for further assistance.
Fan (if equipped) will not turn on or will not turn off	Check data cable integrity	All wires in cable should be intact. If any are cut or crimped, replace cable.
	Check data cable connections/orientation	Insure cable is connected securely and oriented properly. Small latch on connector should line up and snap into place.
	Reset Machine (if equipped with reset button)	Unplug unit from electrical outlet for 3 minutes. Reconnect to outlet. After Console powers up, press "reset".
Unit rocks/does not sit level	Check leveler adjustment	Leveling feet may be turned in or out to level bike.
	Check surface under unit	Adjustment may not be able to compensate for extremely uneven surfaces. Move bike to level area.

Pedals loose/unit difficult to pedal	Check pedal to crank connection	Pedal should be tightened securely to crank. Insure connection is not cross-threaded.
	Check crank to axle connection	Crank should be tightened securely to axle. Be sure cranks are connected at 180 degrees from each other.
Seat post movement	Check locking pin	Insure adjustment pin is locked into one of the seat post adjustment holes.
	Check adjustment knob	Insure knob is securely tightened.

Contacts

NORTH AMERICA

CUSTOMER SERVICE

Tel: (800) 605-3369

E-mail: customerservice@schwinnfitness.com

CORPORATE HEADQUARTERS

Nautilus, Inc.

World Headquarters

16400 SE Nautilus Drive

Vancouver, WA, USA 98683

Tel: (800) NAUTILUS (628-8458)

ASIA PACIFIC & LATIN AMERICA

CUSTOMER SERVICE

Tel: (360) 859-5180

Fax: (360) 859-5197

E-mail: technics-APLA@nautilus.com

Serial Number
Date of Purchase

EUROPE, MIDDLE EAST & AFRICA

INTERNATIONAL CUSTOMER SERVICE

Nautilus International GmbH

Albin-Köbis-Str. 4

51147 Köln

Tel: + 49 02203 2020 0

Fax: + 49 02203 2020 45 45

E-mail: technics@nautilus.com

GERMANY and AUSTRIA

Nautilus International GmbH

Albin-Köbis-Str. 4

51147 Köln

Tel: + 49 02203 2020 0

Fax: + 49 02203 2020 45 45

SWITZERLAND

Nautilus Switzerland SA

Rue Jean Prouvé 6

CH-1762 Givisiez

Tel: + 41 26 460 77 66

Fax: + 41 26 460 77 60

UNITED KINGDOM

Nautilus UK Ltd

4 Vincent Avenue

Crownhill, Milton Keynes, Bucks, MK8 0AB

Tel: + 44 1908 267 345

Fax: + 44 1908 267 345



SCHWINN FITNESS

Printed in China

Nautilus®

Bowflex®

Schwinn® Fitness

StairMaster®

Universal®

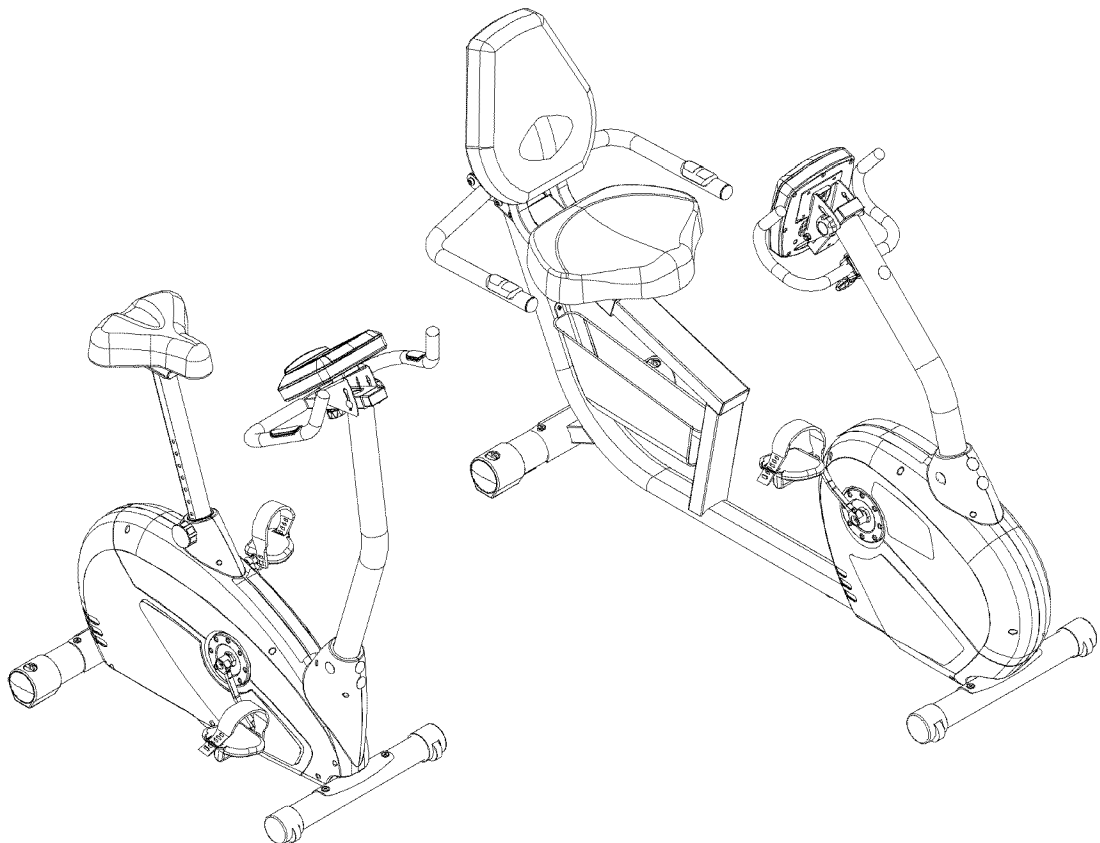


SCHWINN FITNESS

Schwinn® 140/240 Vélos d'exercice



**Owner's Manual
Manuel du Propriétaire**



EN FRC

Ver página 2

Español Americano Latino

Table des matières

Instructions de sécurité importantes	27	Configuration des utilisateurs	37
Spécifications	29	Programmes d'entraînement	38
Composants	30	Pause ou arrêt	40
Console	30	Mode Configuration de la console	41
Moniteur de fréquence cardiaque distant	33	Entretien	41
Fonctionnement	35	Dépannage	44
Réglages	35	Coordonnées	47
Programme de démarrage rapide/manuel	36		

© 2009 Nautilus, Inc., Tous droits réservés

™ et ® indiquent une marque de commerce ou une marque déposée. Les marques de commerce de Nautilus, Inc. (www.nautilus.com) comprennent NAUTILUS®, BOWFLEX®, STAIRMASTER®, SCHWINN® et UNIVERSAL® et leurs logos respectifs.

Les autres marques de commerce sont la propriété de leur détenteur respectif.

Informations relatives aux brevets Ce produit peut être couvert par des brevets américains et étrangers et des brevets en instance.

Instructions de sécurité importantes



Cette icône indique une situation potentiellement dangereuse, laquelle, si elle n'est pas évitée, peut entraîner la mort ou des blessures graves.

Avant d'utiliser cet équipement, veuillez vous conformer aux avertissements suivants :

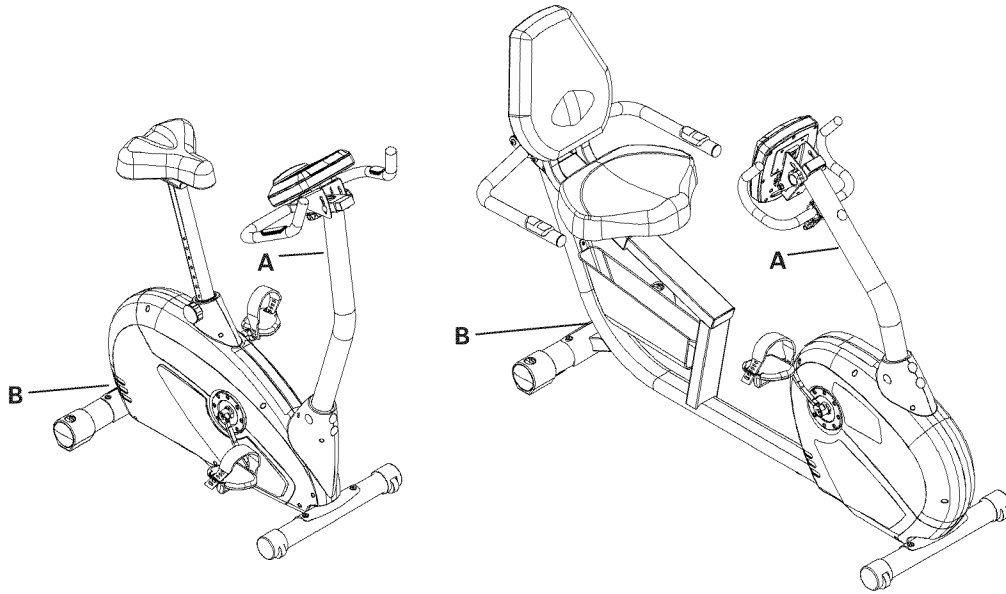


Lisez et assimilez le Guide du propriétaire dans son intégralité. Conservez le Guide du propriétaire pour consultation future.

Lisez et assimilez tous les avertissements apposés sur cette machine. En tout temps, si les étiquettes d'avertissement deviennent lâches, illisibles ou si elles se détachent, communiquez avec le Service clientèle de Nautilus® pour obtenir des étiquettes de remplacement.

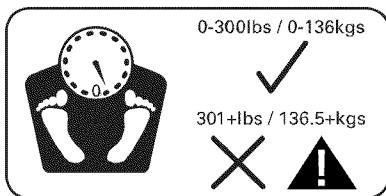
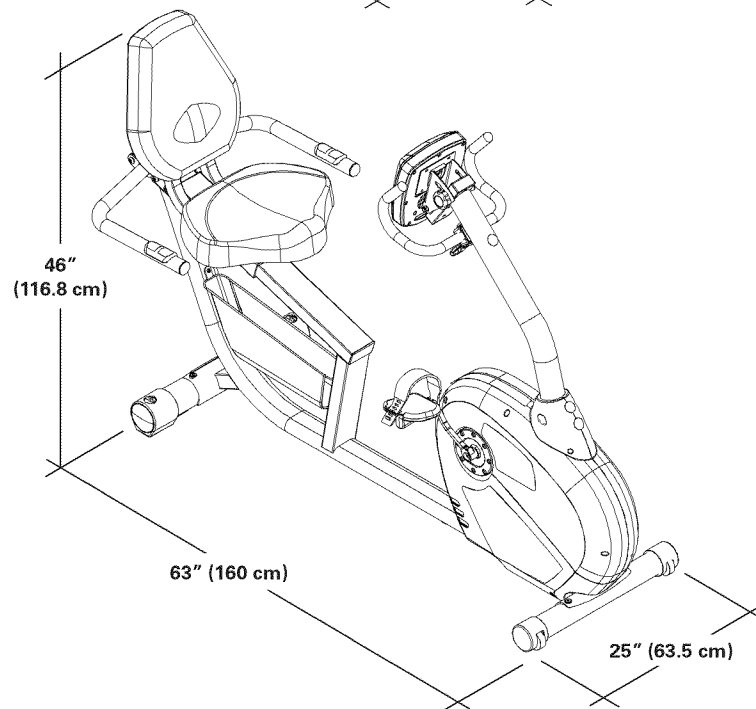
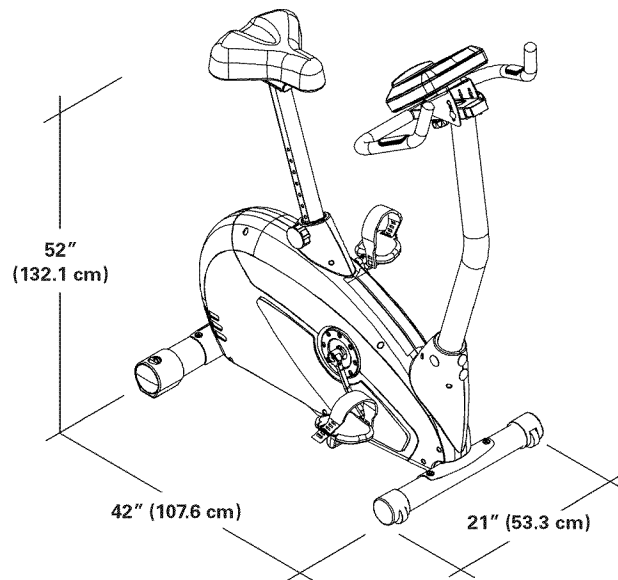
- Les enfants ne doivent pas se trouver sur ou à proximité de cette machine. Les pièces mobiles et autres caractéristiques de la machine peuvent présenter un danger pour les enfants.
- Avant de commencer un programme d'exercices, veuillez consulter votre médecin. Arrêtez de faire de l'exercice si vous ressentez une douleur ou un serrement dans la poitrine, si vous avez le souffle court ou si vous êtes sur le point de vous évanouir. Consultez votre médecin avant de recommencer à utiliser cette machine. Utilisez les valeurs calculées ou mesurées par l'ordinateur de la machine à des fins de consultation uniquement.
- Inspectez cette machine afin de détecter des pièces lâches ou des signes d'usure. Portez une attention particulière au siège, aux pédales et aux manivelles de pédalier. Dans ces conditions, ne l'utilisez pas. Communiquez avec le Service clientèle de Nautilus® pour obtenir des renseignements relatifs à la réparation.
- Poids maximum de l'utilisateur : 136 kg (300 lb). N'utilisez pas cette machine si votre poids est supérieur à cette limite.
- Cette machine est à usage domestique uniquement.
- Ne portez pas de vêtements lâches ni de bijoux. Cette machine contient des pièces mobiles.
- Installez et utilisez cette machine sur une surface horizontale solide et de niveau.
- Stabilisez les pédales avant de les utiliser. Soyez prudent lorsque vous descendez de la machine.
- Débranchez toutes les sources d'alimentation avant de procéder à l'entretien de cet équipement.
- Gardez un espace libre d'au moins 50 cm (19,7 po) de chaque côté de la machine. Il s'agit de l'espace sécuritaire recommandé nécessaire autour de chaque machine pour permettre l'accès et le passage et la descente d'urgence. Maintenez les spectateurs à l'extérieur de cet espace lorsque la machine est en marche.
- Ne faites pas un entraînement trop intensif lorsque vous faites de l'exercice. Utilisez la machine de la manière décrite dans ce guide.
- Réglez correctement et engagez tous les mécanismes d'ajustement de position. Assurez-vous que les mécanismes d'ajustement ne heurtent pas l'utilisateur.

Étiquettes d'avertissement de sécurité et numéro de série



Type	Description
A WARNING	<ul style="list-style-type: none"> • Keep children away. • Prior to use, read and understand the Owners Manual. • Injury or death is possible if Caution is not used while using this machine. • The maximum user weight for this machine is 300 lbs (136 kg). • Replace any "Caution", "Warning" or "Danger" label that is illegible, damaged, or removed. • This machine is for home use only.
AVERTISSEMENT	<ul style="list-style-type: none"> • Gardez les enfants et les animaux de compagnie éloignés de cette machine en tout temps. • Lisez et familiarisez-vous avec le Manuel du propriétaire et avec tous les avertissements avant d'utiliser cette machine. • Soyez prudent lorsque vous utilisez cet équipement pour ne pas vous infliger de graves blessures. • Cette machine supporte un poids maximal de 300 lbs (136 kg). • Remplacez toute étiquette d'avertissement endommagée, illisible ou manquante. • Cette machine est à usage domestique uniquement.
B Numéro de série	Enregistrez le numéro de série à la page Coordonnées à la fin de ce manuel.

Spécifications



Alimentation

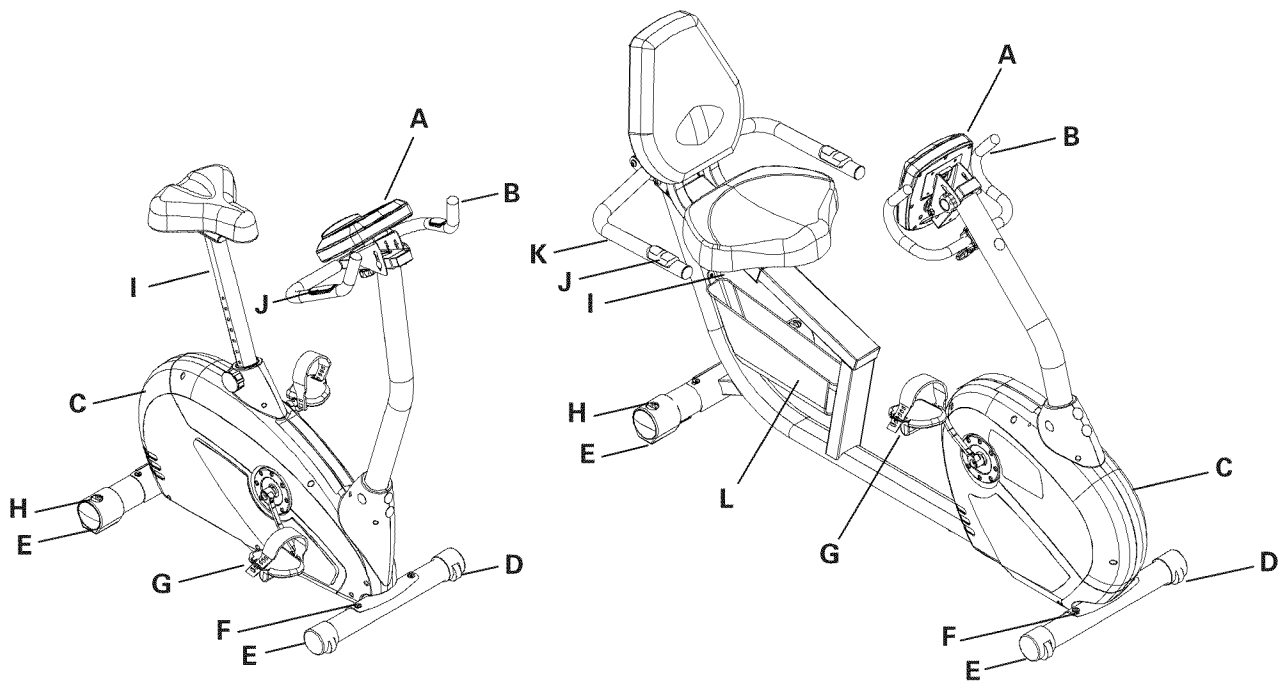
Tension de fonctionnement 9 V c.c.

Courant de fonctionnement 500 mA

Autorisations réglementaires

Adaptateur c.a. : Répertoire UL, certifié CSA (ou équivalent), classé 120 V 60 Hz entrée, 9 V c.c., 500mA sortie. Classe 2 ou LPS.

Composants

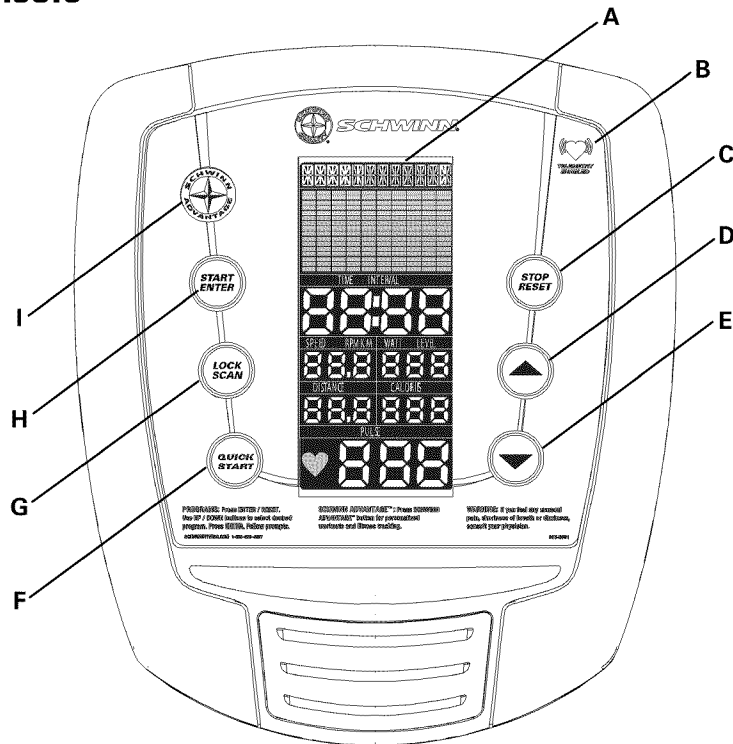


A	Console	G	Pédales
B	Guidon, droit	H	Niveleur
C	Volant d'inertie entièrement recouvert	I	Siège ajustable
D	Roulettes de transport	J	Capteurs de contact de fréquence cardiaque (CHR)
E	Stabilisateurs	K	Guidon, latéral
F	Prise pour adaptateur c.a.	L	Porte-revues

Console

La console fournit des informations importantes à propos de votre entraînement et vous permet de contrôler les niveaux de résistance pendant votre exercice. La console présente un affichage en grille et des boutons de commande qui vous permettent de naviguer dans les programmes d'exercice.

Fonctions de la console

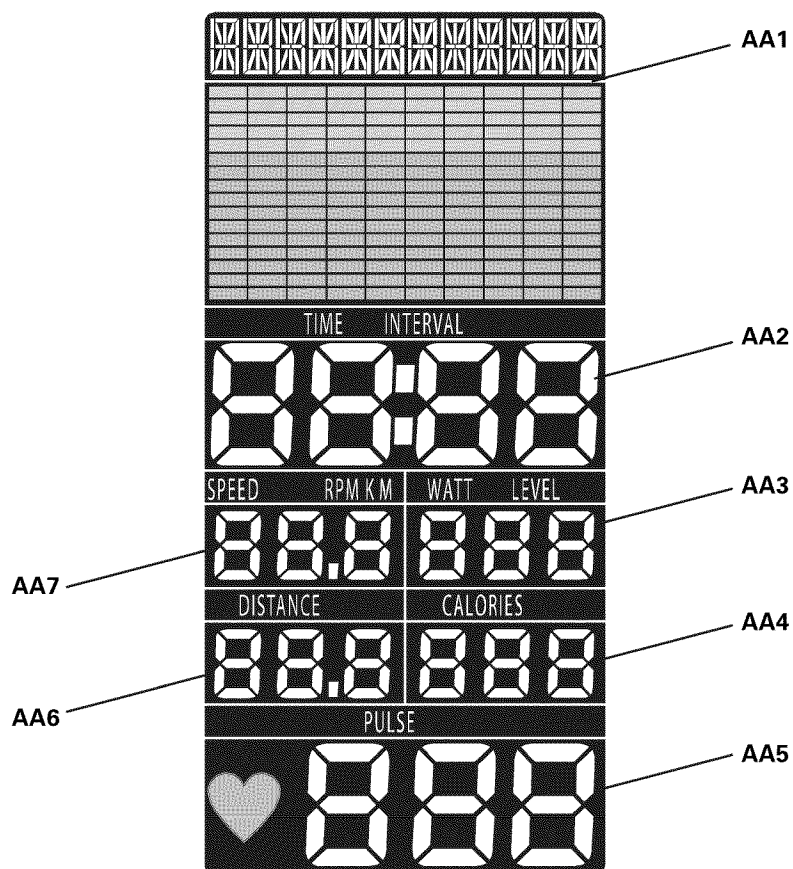


A	Écran ACL rétroéclairé	
B	Fréquence cardiaque téléométrique	— Lit le signal de fréquence cardiaque de la sangle de poitrine de fréquence cardiaque téléométrique
C	Bouton STOP/RESET (arrêt/réinitialisation)	— Permet de faire une pause dans un entraînement en cours, si vous appuyez à nouveau sur le bouton, l'entraînement arrêtera.
D	Bouton Increase (augmenter) (▲)	— Augmente une valeur (âge, durée, distance, calories ou niveau de résistance d'un entraînement)
E	Bouton Decrease (diminuer) (▼)	— Diminue une valeur (âge, durée, distance, calories ou niveau de résistance d'un entraînement)
F	Bouton QUICK START (démarrage rapide)	— Commence un entraînement Quick Start
G	Bouton LOCK/SCAN (verrouillage/analyse)	— Navigue dans les variables de l'entraînement; 6 secondes chacune. Appuyez sur le bouton STOP/RESET (arrêt/réinitialisation) pour un contrôle manuel des fonctions de défilement. Appuyez sur STOP/RESET une autre fois pour sortir du mode de défilement.
H	Bouton Start/Enter (départ/entrée)	— Débute un programme d'entraînement, confirme de l'information et reprend un entraînement en mode pause.
I	Schwinn Advantage™	— Débute le mode de configuration des données de l'utilisateur

ACL

L'écran ACL rétroéclairé multifonction affiche vos données d'entraînement (pendant l'entraînement), résultats, données de configuration de l'utilisateur et les diagnostics de la console.

Données affichées sur l'écran ACL



AA1	Affichage du programme	AA5	POULS
AA2	TIME/INTERVAL (durée/intervalle)	AA6	DISTANCE
AA3	WATT/LEVEL (watt/niveau)	AA7	SPEED/RPM KM (Vitesse/Tr/min KM)
AA4	CALORIES		

Remarque : Pour modifier les unités de mesure à English Imperial ou metric (impériale ou métrique), consultez la section sur la configuration de l'utilisateur de ce manuel.

Affichage du programme

L'affichage du programme indique le nom du programme sélectionné et la partie pointillée de la matrice affiche le profil de la course du programme. Chaque colonne du profil affiche une intervalle (1/40 de la durée totale du programme). Plus la colonne est haute, plus le niveau de résistance et/ou la vitesse de cette intervalle sont élevés. La colonne qui clignote représente votre intervalle.

Durée/Intervalle

Le champ TIME/INTERVAL (durée/intervalle) affiche le décompte du temps de l'entraînement. Si aucune durée n'a été préétablie pour le programme d'entraînement en cours, la valeur affichée commence à zéro et s'accumule jusqu'à la fin de l'entraînement. La durée maximale est 99:59.

Si l'entraînement s'une durée préétablie, l'affichage commence à la valeur préétablie et le décompte se fait jusqu'à zéro. L'affichage présente la durée totale de l'entraînement, et la durée se calcule pour l'intervalle en cours.

Watt/Niveau

Le champ WATT/LEVEL (watt/niveau) affiche la puissance que vous produisez au niveau de résistance en cours (1 cheval-vapeur = 746 watts) et le niveau de résistance (1 à 16) pendant 6 secondes.

Calories

Le champs Calories affiche une estimation du nombre de calories brûlées au cours de l'exercice. Si aucun objectif de calories n'a été programmé pour le programme d'entraînement en cours, la valeur affichée commence à zéro et s'accumule jusqu'à la fin de l'entraînement. Si l'entraînement à un objectif de calories, l'affichage commence à la valeur préétablie et le décompte se fait jusqu'à zéro.

Pouls

Le champ Pulse (pouls) affiche la fréquence cardiaque en battements par minute (BPM) du moniteur de fréquence cardiaque (MFC).



Avant de commencer un programme d'exercices, veuillez consulter votre médecin. Arrêtez de faire de l'exercice si vous ressentez une douleur ou un serrement dans la poitrine, si vous avez le souffle court ou si vous êtes sur le point de vous évanouir. Consultez votre médecin avant de recommencer à utiliser cette machine. Utilisez les valeurs calculées ou mesurées par l'ordinateur de la machine à des fins de consultation uniquement.

Distance

Le champ DISTANCE affiche le décompte de la distance (miles ou km) de l'entraînement. Si aucun objectif de distance n'a été programmé pour le programme d'entraînement en cours, la valeur affichée commence à zéro et s'accumule jusqu'à la fin de l'entraînement. Si l'entraînement à un objectif de distance, l'affichage commence à la valeur préétablie et le décompte se fait jusqu'à zéro.

Vitesse/Tr/min KM

Le champ SPEED/RPM KM (vitesse/tr/min km) affiche pendant 6 secondes la vitesse du vélo en kilomètres heure (km/h) ou en miles à l'heure (mi/h), et affiche ensuite le nombre de tours minutes (tr/min) pendant 6 secondes.

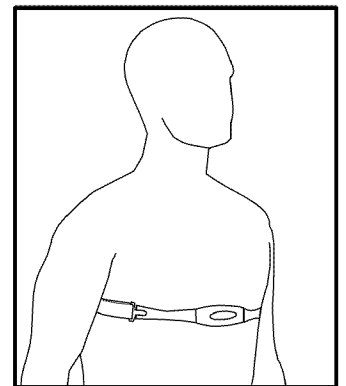
Moniteur de fréquence cardiaque distant

La surveillance de votre fréquence cardiaque est l'un des meilleurs moyens de contrôler l'intensité de votre exercice.

Les capteurs de contact de fréquence cardiaque (CHR) sont installés pour envoyer vos signaux de fréquence cardiaque à la console. La console peut aussi lire les signaux de FC téléométriques provenant d'un transmetteur d'une sangle de poitrine de fréquence cardiaque. La console affiche votre fréquence cardiaque en battements par minute (BPM).



Si vous portez un stimulateur cardiaque ou tout autre dispositif électronique implanté, consultez votre médecin avant d'utiliser une sangle de poitrine sans fil ou tout autre moniteur de fréquence cardiaque téléométrique.



Capteurs de contact de fréquence cardiaque

Les capteurs de contact de fréquence cardiaque (CHR) envoient vos signaux de fréquence cardiaque à la console. Les capteurs CHR sont les pièces en acier inoxydable sur le guidon. Pour les utiliser, placez vos mains confortablement autour des capteurs. Assurez-vous que vos mains sont en contact avec le dessus et le dessous des capteurs. Tenez-les fermement, pas trop fort ni de façon trop lâche. Les deux mains doivent être en contact avec les capteurs pour que la console détecte une pulsation. Une fois que la console a détecté quatre signaux de pulsation stables, votre pouls sera affiché.

Une fois que la console détecte votre fréquence cardiaque initiale, ne bougez pas les mains pendant 10 à 15 secondes. La console validera la fréquence cardiaque. De nombreux facteurs influencent la capacité des capteurs à détecter votre signal de fréquence cardiaque :

- Les mouvements des muscles du haut du corps (y compris les bras) produisent un signal électrique (artéfact musculaire) qui peut interférer avec la détection du pouls. Un léger mouvement des mains, alors qu'elles sont en contact avec les capteurs, peut produire une interférence.
- Des callosités et de la lotion pour les mains peuvent agir comme une couche isolante et réduisent la force du signal.
- Certains signaux ECG produits par certaines personnes ne sont pas suffisamment forts pour être détectés par les capteurs.

La détection de la fréquence cardiaque de contact peut être limitée à la marche ou à une course lente en raison des artéfacts musculaires extrêmes et du mouvement des mains générés par un style de course confortable. Si votre signal de fréquence cardiaque semble irrégulier après validation, essayez vos mains et les capteurs et essayez à nouveau.

Calculs de la fréquence cardiaque

Votre fréquence cardiaque maximale décline généralement, passant d'environ 220 battements par minute (BPM) pendant l'enfance à environ 160 BPM à 60 ans. Cette baisse de la fréquence cardiaque est généralement linéaire et se produit au rythme d'un battement par an environ. Il n'y a pas d'indication suggérant que l'exercice influence la diminution de la fréquence cardiaque maximale. Deux personnes du même âge peuvent avoir des fréquences cardiaques maximales très différentes. On peut déterminer cette valeur plus précisément en subissant un test de stress qu'en utilisant une formule liée à l'âge.

Votre fréquence cardiaque au repos est considérablement influencée par l'exercice d'endurance. Chez l'adulte type, la fréquence cardiaque au repos est d'environ 72 BPM, alors que chez les coureurs très entraînés, cette valeur peut être de 40 BPM, voire inférieure.

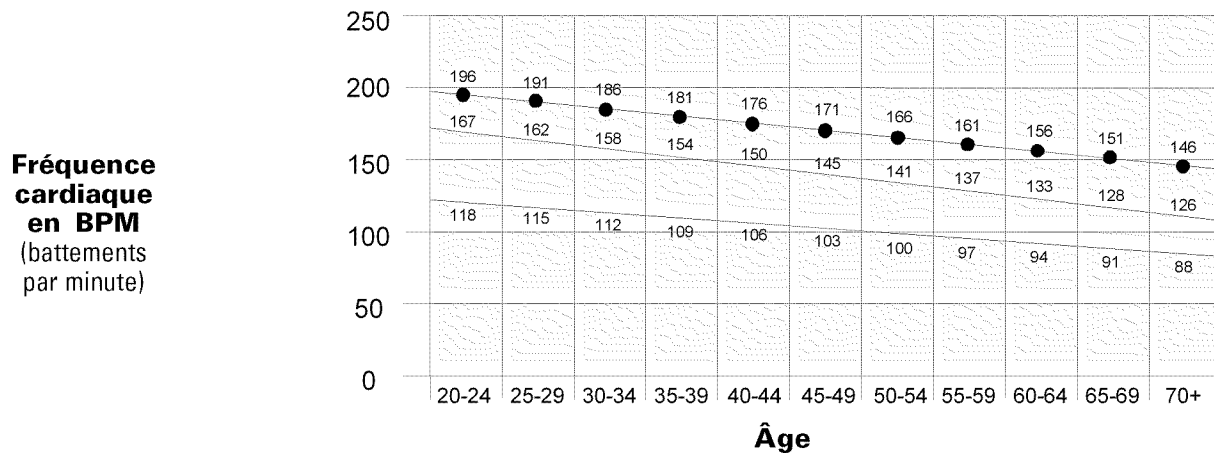
Le tableau de fréquences cardiaques est une estimation de la zone de fréquence cardiaque (ZFC) la plus efficace pour brûler les graisses et améliorer votre système cardiovasculaire. La condition physique varie selon les personnes. Par conséquent, votre zone de fréquence cardiaque peut être supérieure ou inférieure de quelques battements à l'indication de ce tableau.

La façon la plus efficace pour brûler des graisses au cours de l'exercice consiste à commencer lentement et à augmenter progressivement l'intensité jusqu'à ce que votre fréquence cardiaque atteigne 60 à 85 % de votre fréquence cardiaque maximale. Continuez à ce rythme, en maintenant votre fréquence cardiaque dans cette zone cible pendant plus de 20 minutes. Plus longtemps vous conservez votre fréquence cardiaque cible, plus votre organisme élimine de graisses.

Le graphique représente une brève indication, décrivant les fréquences cardiaques généralement suggérées en fonction de l'âge. Comme indiqué ci-dessus, votre fréquence cible optimale peut être légèrement supérieure ou inférieure. Consultez votre médecin pour connaître votre zone personnelle de fréquence cardiaque cible.

Remarque : Comme pour tous les programmes d'exercice et de condition physique, utilisez toujours votre jugement lorsque vous augmentez la durée ou l'intensité de votre exercice.

Fréquence cardiaque cible pour brûler des graisses



Fréquence cardiaque maximale

Zone de fréquence cardiaque cible (restez dans cette plage pour un brûlage optimal des graisses)



Fonctionnement

Choix des souliers et des vêtements

Portez des chaussures athlétiques à semelles en caoutchouc. Portez des vêtements de sport qui vous laissent libre de vos mouvements.

Fréquence des entraînements

! Avant de commencer un programme d'exercices, veuillez consulter votre médecin. Arrêtez de faire de l'exercice si vous ressentez une douleur ou un serrement dans la poitrine, si vous avez le souffle court ou si vous êtes sur le point de vous évanouir. Consultez votre médecin avant de recommencer à utiliser cette machine. Utilisez les valeurs calculées ou mesurées par l'ordinateur de la machine à des fins de référence uniquement.

- 3 fois par semaine pendant 30 minutes chaque fois.
- Planifiez vos séances à l'avance. Essayez de faire votre exercice, même si vous n'en avez pas envie.

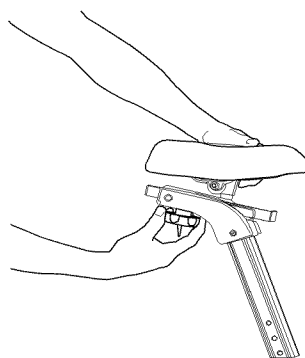
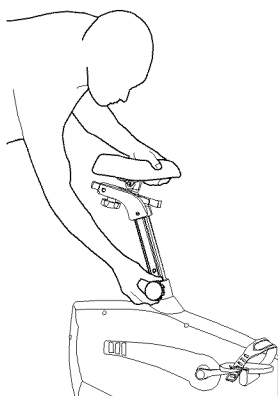
Réglage du siège

Un siège bien positionné favorise l'efficacité de l'exercice et le confort et réduit les risques de blessure.

1. Placez une pédale en position avant et le centre de la pointe du pied au centre de la pédale. Votre jambe doit être légèrement pliée.
2. Si votre jambe est trop tendue ou si votre pied n'arrive pas à toucher la pédale, abaissez le siège du vélo droit ou déplacez le siège vers l'avant sur le vélo à position allongée. Si votre jambe est trop pliée, montez le siège sur le vélo droit ou déplacez le siège vers l'arrière sur le vélo à position allongée.

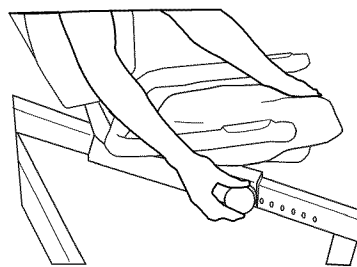
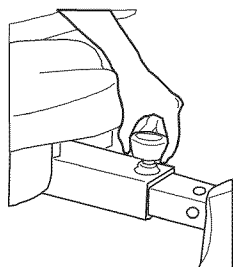
! Descendez du vélo avant de régler le siège.

- **Vélo droit** – tirez sur le bouton de réglage situé sur le tube du siège. Ajustez le siège à la hauteur désirée. Relâchez le bouton de réglage pour engager la tige de verrouillage. Assurez-vous que la tige est complètement engagée. Pour rapprocher ou éloigner le siège de la console, desserrez le bouton. Faites glisser le siège vers l'avant ou l'arrière à la position désirée et serrez le bouton.



- **Vélo en position allongée** – tirez sur le bouton de réglage situé sur le support de fixation du siège. Ajustez le siège à la position désirée. Le bouton de réglage s'enclenchera dans le prochain trou. Serrez complètement le bouton et assurez-vous que le siège est stable.

Remarque : Selon les modèles, le bouton peut se trouver sur le dessus ou sur le côté du support du siège.

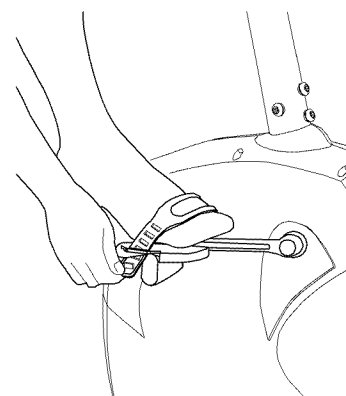


Position du pied/réglage de la courroie de la pédale

Des pédales comportant des courroies permettent une dépose du pied sécuritaire sur le vélo d'exercice.

1. Placez la pointe de chaque pied sur les pédales.
2. Faites tourner les pédales jusqu'à ce que vous en atteignez une.
3. Serrez la courroie sur le soulier.
4. Répétez la même procédure pour l'autre pied.

Assurez-vous que les orteils et les genoux pointent directement vers l'avant pour une efficacité maximale du mouvement en pédalant. Les courroies des pédales peuvent être laissées en place pour vos séances d'entraînement subséquentes.



Réglage de la console

Pour ajuster l'inclinaison de la console :

1. Desserrez le bouton sous la console.
2. Inclinez avec soin la console à l'une des positions disponibles.
3. Serrez le bouton.

Mode Démarrage

La console passe en mode POWER-UP (mise en marche) si elle est branchée à une source d'alimentation, si vous appuyez sur un bouton ou si elle reçoit une indication du détecteur de RPM (tr/min) suite à l'utilisation de la machine.

Arrêt automatique (mode veille)

En l'absence de commande pendant environ 5 minutes, la console s'arrête automatiquement. L'affichage ACL ne fonctionne pas en mode Veille.

Remarque : La console n'a pas d'interrupteur On/Off (marche/arrêt).

Programme de démarrage rapide/manuel

Le programme Quick Start/Manual (démarrage rapide/manuel) vous permet de commencer un entraînement sans entrer d'information.

1. Montez sur la machine.
2. Appuyez sur le bouton QUICK START (démarrage rapide) et commencez le programme QUICK START/MANUAL (démarrage rapide/manuel)
3. Appuyez sur les boutons Increase ou Decrease (augmenter ou diminuer) pour changer de niveau de résistance. Le niveau de résistance par défaut du programme Quick Start est 3. Le compte du temps commence à 00:00.
4. Appuyez sur STOP (arrêt) lorsque votre entraînement est terminé.

Sélection du programme d'entraînement

Pour aller au menu Programme, vous devez avant tout sélectionner un utilisateur dans le menu User (utilisateur). Utilisez les boutons Increase/Decrease (augmenter/diminuer) pour afficher les options du menu User (utilisateur). Vous pouvez utiliser l'option Guest User (utilisateur invité) pour aller dans le menu Programme sans entrée de données sur l'utilisateur. Si vous désirez sauvegarder vos données d'entraînement, consultez la procédure Configuration de l'utilisateur de ce guide.

Configuration de l'utilisateur – Schwinn Advantage™

La console Schwinn® 40 Series vous permet d'enregistrer et d'utiliser 2 profils d'utilisateur (U1 et U2) en plus d'un utilisateur invité ne comportant aucune donnée enregistrée. La fonction Schwinn Advantage™ enregistre automatiquement vos résultats d'entraînement dans votre profil d'utilisateur et vous permet de faire le suivi de votre condition physique et de mettre vos données à jour.

Le profil utilisateur enregistre les informations suivantes :

1. Nom — jusqu'à 12 caractères
2. Nombre total d'entraînements
3. Heures totales
4. Distance totale
5. Total des calories
6. Poids initial
7. Poids cible
8. Poids actuel
9. Variation de poids (poids de départ - poids actuel)
10. Taille
11. Âge
12. Entraînement personnalisé (programme de profil, durée)

Sélectionner/Ajouter un utilisateur

1. Dans l'écran POWER UP MODE, utilisez les boutons Increase/Decrease (augmenter/diminuer) pour naviguer dans les options du menu utilisateur.

Remarque : ADD USER (ajouter un utilisateur) et GUEST USER (utilisateur invité) sont les seules options si aucun utilisateur n'est configuré. Si tous les profils d'utilisateur sont utilisés, l'option ADD USER (ajouter un utilisateur) n'est pas disponible.

2. Appuyez sur START/ENTER (début/entrée) pour faire votre sélection. Si vous sélectionnez GUEST USER (utilisateur invité) ou un utilisateur (U1 ou U2), vous pouvez passer au menu Programme pour commencer un entraînement.

Remarque : Appuyez sur le bouton STOP/RESET (arrêt/réinitialisation) pour retourner au caractère ou écran précédent.

3. Dans l'option ADD USER (ajouter un utilisateur), appuyez deux fois sur START/ENTER (début/entrée) et la console affichera l'invite Name (nom).

Remarque : Utilisez les boutons Increase/Decrease (augmenter/diminuer) pour naviguer dans l'alphabet (ou dans les nombres). Pour enregistrer les lettres, appuyez sur le bouton START/ENTER (début/entrée). Appuyez sur le bouton START/ENTER (début/entrée) pour entrer un espace.

Si votre nom ne comble pas les espaces sur l'écran Name (nom), appuyez sur le bouton START/ENTER (début/entrée) pour ajouter des espaces jusqu'à ce que le prochain écran de données apparaisse.

4. Entrez vos données d'utilisateur sur chaque écran – Weight, Height, Age, Custom Workout (poids, taille, âge, entraînement personnalisé).
5. Pour configurer l'entraînement personnalisé, appuyez deux fois sur le bouton START/ENTER (début/entrée). L'affichage du programme aura un niveau de résistance par défaut de 1 pour toutes les

colonnes. Réglez le niveau de résistance de la colonne active (celle qui clignote) à l'aide des boutons Increase/Decrease (augmenter/diminuer). Appuyez sur START/ENTER (début/entrée) pour enregistrer vos réponses. Les colonnes terminées sortent de l'écran du côté gauche, et la prochaine colonne est active. Continuez jusqu'à ce que les 40 colonnes soient configurées.

6. L'écran affiche le message « USER ADDED » (utilisateur ajouté) et vous passez au menu Programme.

Mise à jour des données de l'utilisateur

1. À partir de l'écran POWER UP MODE, appuyez sur le bouton Schwinn Advantage™ (sceau de qualité Schwinn®).
2. Appuyez sur les boutons Increase/Decrease (augmenter/diminuer) pour passer à un utilisateur.
3. Le fait d'appuyer sur START/ENTER (début/entrée) sélectionne l'utilisateur.
4. Les options de mise à jour s'affiche sur l'écran. View, Edit, Delete (afficher, mise à jour, supprimer). Appuyez sur START/ENTER (début/entrée) pour faire votre sélection.

VIEW — Les écrans suivant sont affichés : Total Workouts, Total Hours, Total Miles (km), Total Calories, Starting Weight, Target Weight, Current Weight, Weight Change (nombre total d'entraînements, heures totales, nombre de miles (km) total, calories totales, poids de départ, poids cible, poids actuel, variation de poids).

EDIT — Vous pouvez mettre les valeurs suivantes à jour : Current Weight, Target Weight, Current Height, Enter Age, Custom Workout (poids actuel, poids cible, taille actuelle, âge, entraînement personnalisé). Appuyez sur START/ENTER (début/entrée) pour confirmer chaque valeur après que vous y ayez apporté un changement. Une fois les changements terminés, appuyez sur le bouton START/ENTER (début/entrée) ou STOP/RESET (arrêt/réinitialisation) jusqu'à ce que vous sortiez de l'option Edit (mise à jour).

DELETE — Pour supprimer les données de l'utilisateur, appuyez sur START/ENTER (début/entrée). Pour annuler la suppression, appuyez sur STOP/RESET (arrêt/réinitialisation).

Exercice personnalisé

Une fois que votre entraînement personnalisé est configuré dans votre profil d'utilisateur, vous pouvez mettre le programme en marche à partir de l'option Custom Workout (entraînement personnalisé) dans le menu Programme. L'écran de la console vous invitera à entrer la durée de l'entraînement (la valeur par défaut est 30:00). Utilisez les boutons Increase/Decrease (augmenter/diminuer) pour régler la valeur Time (durée), et appuyez sur START/ENTER pour régler la durée.

Programmes de profil

Ces programmes automatisent des niveaux de résistance et d'entraînement différents.

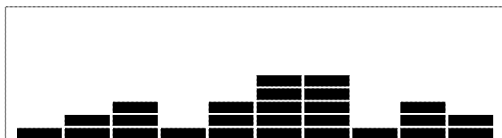
Course 1



Course 2



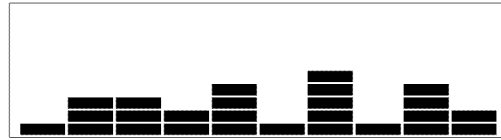
Course 3



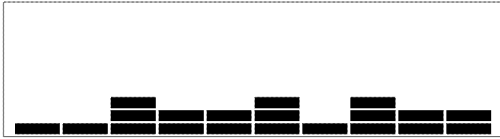
Circuit 1



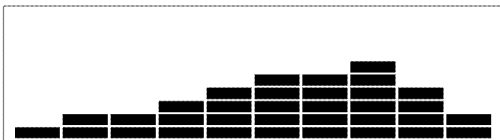
Circuit 2



Circuit 3



Poursuit 1 (poursuite)



Poursuit 2 (poursuite)



Entreprendre un programme de profil :

1. Montez sur le vélo.
2. Utilisez les boutons Increase ou Decrease (augmenter ou diminuer) pour sélectionner un utilisateur (invité ou personnalisé) et appuyez sur START/ENTER (début/entrée).
3. Utilisez les boutons Increase ou Decrease (augmenter ou diminuer) pour sélectionner un des programmes ci-dessus. Appuyez sur START/ENTER (début/entrée).
4. Utilisez les boutons Increase ou Decrease (augmenter ou diminuer) pour répondre aux questions de configuration. Appuyez sur START/ENTER (début/entrée) pour enregistrer vos réponses.

Remarque : La valeur par défaut pour TIME (durée) est 30:00. La valeur de départ par défaut pour LEVEL (niveau) est 8.

5. Appuyez sur la touche START/ENTER (début/entrée) pour commencer l'entraînement selon le profil.

Modification des niveaux de résistance

Appuyez sur les boutons Increase ou Decrease (augmenter ou diminuer) pour modifier le niveau de résistance en tout temps dans un programme d'entraînement.

Test de condition physique

Le test de condition physique évalue les améliorations de votre niveau de condition physique. Le test compare votre puissance (en watts) à votre fréquence cardiaque. À mesure que votre condition physique s'améliore, vous produisez plus d'énergie (watts) à une fréquence cardiaque donnée.

Lorsque le test commence, la puissance en watts s'accroît légèrement. Cela signifie que vous devrez travailler plus fort et que votre fréquence cardiaque augmentera par conséquent. Les watts continuent à augmenter automatiquement jusqu'à ce que votre fréquence cardiaque atteigne la « zone de test ». Cette zone est calculée sur une base individuelle pour être près de 75 % de votre fréquence cardiaque maximale. Lorsque vous atteignez la « zone de test », la machine maintient les watts à un niveau constant pendant 3 minutes. Cela vous permet de d'atteindre un état stable (où votre fréquence cardiaque se stabilise). Après 3 minutes, la console mesure votre fréquence cardiaque et la puissance en watts. Ces chiffres (avec l'information concernant votre âge et votre poids) sont calculés pour produire votre « cote de condition physique ».

Remarque : Les résultats du test de condition physique devraient seulement être comparés à vos résultats précédents, et non à ceux des autres utilisateurs.

Au fil du temps, vous produirez plus de plus en plus de watts de puissance à une fréquence cardiaque donnée. Comparez vos résultats de condition physique pour constater votre amélioration.

Programme de contrôle de la fréquence cardiaque (HRC)

Le programme de contrôle de la fréquence cardiaque (HRC) vous permet d'établir un objectif de fréquence cardiaque pour votre entraînement. Le programme surveille votre fréquence cardiaque en battements par minute (BPM) à partir des capteurs de contact de fréquence cardiaque (CHR) de la machine ou à partir d'un moniteur de fréquence cardiaque (HRM) et d'une sangle de poitrine.

Remarque : La console doit être en mesure de lire l'information de la fréquence cardiaque envoyées des capteurs CHR ou du HRM du programme HRC pour fonctionner adéquatement.

Si vous allez dans le programme HRC de votre profil d'utilisateur, le programme cible de fréquence cardiaque utilise votre âge et d'autres informations configurées par l'utilisateur pour établir les valeurs de votre zone de fréquence cardiaque pour votre entraînement. Si vous êtes un utilisateur invité, vous devez entrer votre âge et votre poids. La console affiche ensuite des invites pour configurer votre entraînement.

1. Réglez le niveau de l'entraînement : FIT (débutant) ou GETTING FIT (avancé).
2. Réglez le pourcentage de la fréquence cardiaque maximale : 60–70%, 70–80%, 80–90%.



Consultez un médecin avant de faire un entraînement dans la zone de fréquence cardiaque se situant entre 80 et 90 %.

3. Réglez la durée de l'entraînement. (La valeur par défaut est 10:00).

Pour plus de détails sur les zones de condition physique, veuillez consulter les renseignements portant sur la condition physique sur notre site Web à l'adresse

www.schwinnfitness.com

Objectif distance

Le programme d'objectif selon la distance vous permet de configurer la distance totale et la vitesse du chronorégulateur de votre entraînement. Si vous êtes un utilisateur invité, vous devez entrer votre âge et votre poids. La console affiche ensuite des invites pour configurer votre entraînement.

1. Entrez la distance à l'aide des boutons Increase/Decrease (augmenter/diminuer) (la distance par défaut est 20 km/20 mi). Appuyez sur START/ENTER.
2. Entrez la vitesse du chronorégulateur à l'aide des boutons Increase/Decrease (augmenter/diminuer) (la vitesse par défaut est 25 km/h/25 mi/h). Appuyez sur START/ENTER.
3. L'exercice commence au niveau 1. Pour régler la résistance, utilisez les boutons Increase/Decrease (augmenter/diminuer).
4. Le temps est compté à partir de 00:00.

Résultats/Mode récupération

Après un entraînement, l'affichage TIME affiche 00:00 et la console affiche les résultats de l'entraînement. Vous pouvez commencer la phase de récupération de l'entraînement. L'écran ACL affiche les données de chaque entraînement pendant 4 secondes : TIME, MILES (KM), CALORIES, CAL/HR, AVG/MPH (KMH), AVG PWR, AVG/HR, MAX HR (durée, miles (km), calories, cal/h, moyenne/tr/min (km/h), puissance moyenne, heures max). L'affichage PULSE affiche la FC actuelle. L'affichage LEVEL commence à 1.

S'il n'y a pas de signal de FC ou de pulsation, la console se met automatiquement en mode veille.

Pause ou arrêt

1. Appuyez sur le bouton STOP/RESET (arrêt/réinitialisation) pour mettre l'exercice en PAUSE. Le mode WORKOUT PAUSED (exercice en pause) est inscrit sur l'affichage.
2. Appuyez sur START/ENTER (début/entrée) pour continuer votre entraînement, ou appuyez sur le bouton STOP/RESET (arrêt/réinitialisation) pour arrêter l'entraînement.


Mode de configuration de la console


Le mode Console Setup (configuration de la console) vous permet de définir les unités de mesure anglaises ou métriques, de régler le contraste de l'écran et d'activer ou de désactiver les messages de motivation. Les messages de motivation apparaissent à l'écran pour renforcer votre enthousiasme et pour vous donner des informations positives pendant votre exercice.

1. Appuyez sur le bouton LOCK/SCAN et sur le bouton Increase simultanément et maintenez-les enfoncés pendant 3 secondes en mode POWER-UP pour passer en mode CONSOLE SETUP (configuration de la console).
2. Appuyez sur les boutons Increase/Decrease (augmenter/diminuer) pour passer de l'ELLIPTIQUE à VÉLO.
3. Appuyez sur START/ENTER pour sélectionner.
4. Appuyez sur les boutons Increase/Decrease (augmenter/diminuer) pour passer des unités anglaises aux unités métriques.
5. Appuyez sur START/ENTER pour sélectionner.
6. Appuyez sur les boutons Increase/Decrease (augmenter/diminuer) pour régler le contraste de l'écran (BACKLIGHTS (rétroéclairage); "5" = intensité maximale, "1" = intensité minimale).
7. Appuyez sur START/ENTER pour sélectionner.
8. La console affiche TOTAL HOURS (TOTAL D'HEURES)
9. Appuyez sur START/ENTER.
10. Appuyez sur les boutons Increase/Decrease (augmenter/diminuer) pour activer ou désactiver les messages de motivation.
11. Appuyez sur START/ENTER pour sélectionner.
12. Appuyez sur les boutons Increase/Decrease (augmenter/diminuer) pour déterminer quelle version du logiciel vous souhaitez utiliser ("SW30 V1.0" = machine de la série x20, "SW40 V1.0" = machine de la série x40 ou "NLS 514" = machine de la série 514).
13. Appuyez sur START/ENTER pour sélectionner.

Remarque : Appuyez sur STOP / RESET pour revenir à l'écran précédent.

Entretien

 L'équipement doit être régulièrement examiné pour détecter tout dommage et réparation nécessaire. Le propriétaire est responsable de s'assurer qu'un entretien régulier est effectué. Les composants usés ou endommagés seront remplacés immédiatement ou l'équipement mis hors service jusqu'à ce que la réparation soit effectuée. Seuls les composants fournis par le constructeur peuvent être utilisés pour effectuer l'entretien et la réparation de l'équipement.

 Ce produit, son emballage et ses composants contiennent des produits chimiques reconnus dans l'État de la Californie comme étant cancérigènes, provoquant des malformations congénitales ou pouvant affecter la fertilité. Cet avertissement est fourni en accord avec la Proposition 65 de Californie. Si vous avez des questions ou désirez des informations complémentaires, veuillez vous reporter à notre site Web à l'adresse www.nautilus.com/prop65.

DANGER Pour réduire les risques d'électrocution, débranchez toujours le cordon d'alimentation et attendez 5 minutes avant de nettoyer, de faire un entretien ou de réparer cette machine.



Chaque jour



Chaque mois



Chaque semaine



Avant chaque utilisation, inspectez l'appareil d'exercice pour y détecter toute pièce desserrée, brisée, endommagée ou usée. Dans ces conditions, ne l'utilisez pas. Réparez ou remplacez toutes les pièces au premier signe d'usure ou de dommage. Après chaque utilisation, utilisez un chiffon humide pour essuyer la sueur sur votre machine et sur la console.

Remarque : Évitez toute humidité excessive sur la console.



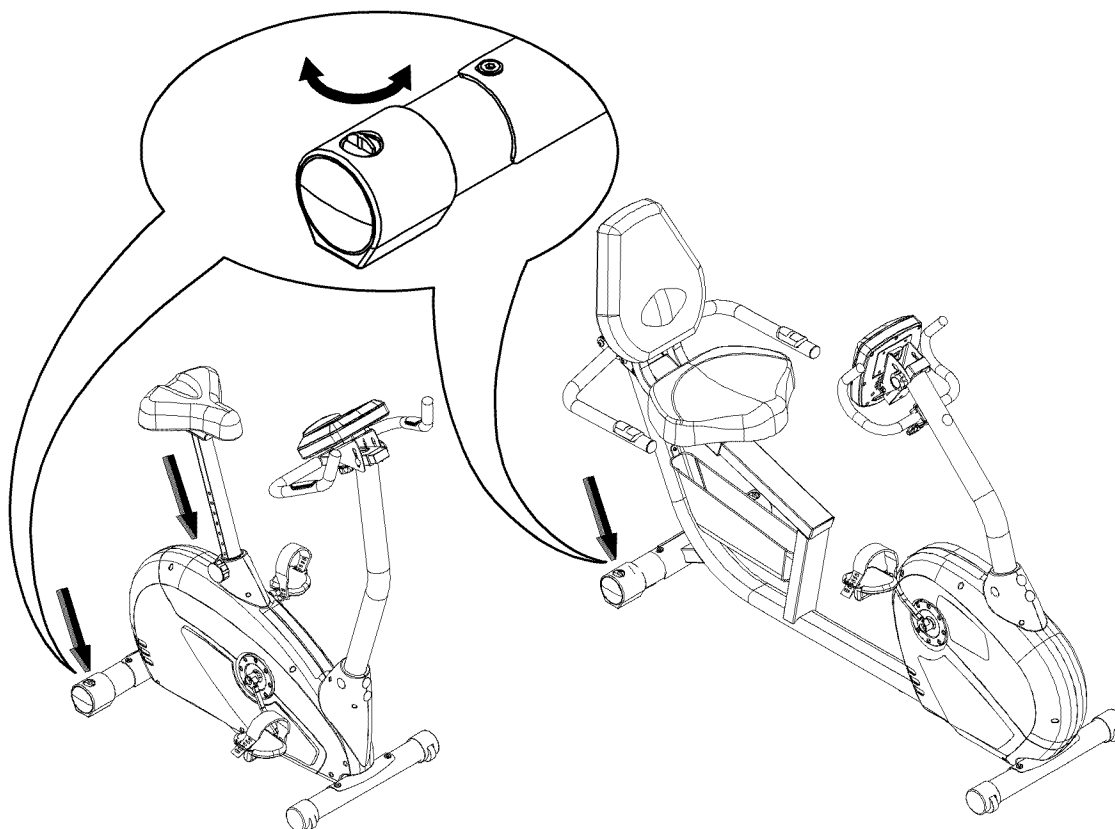
Vérifiez que la glissière du siège fonctionne bien ainsi que l'inclinaison de console. Nettoyez la machine pour enlever la poussière et la saleté des surfaces. Au besoin, appliquez une fine couche de lubrifiant siliconé.

Remarque : N'utilisez pas de produit à base de pétrole.



Vérifiez les pédales et les pédaliers et resserrez-les au besoin. Assurez-vous que tous les boulons et vis sont bien serrés. Serrez-les au besoin.

Mise à niveau de votre vélo

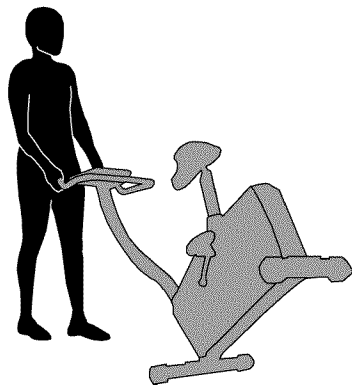


Les niveleurs sont situés de chaque côté du stabilisateur arrière. Tournez le bouton pour ajuster le pied du niveleur. Assurez-vous que le vélo est à niveau et qu'il est stable avant de l'utiliser.

Déplacement de votre vélo

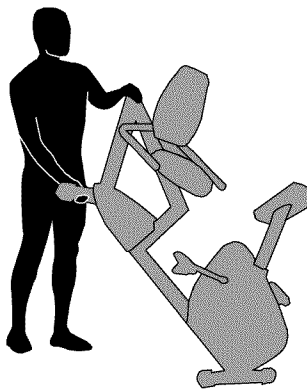
Vélo droit

Pour décaler le vélo droit, tirez avec soin le guidon vers vous tout en basculant doucement l'avant du vélo vers le bas. Poussez le vélo jusqu'à l'emplacement souhaité.



Vélo à position allongée

Pour déplacer votre vélo à position allongée, soulevez avec soin la partie arrière du vélo et poussez lentement le vélo à l'endroit choisi.



REMARQUE :

Soyez prudent lorsque vous déplacez le vélo. Tout mouvement brusque peut affecter le fonctionnement de l'ordinateur.

Dépannage

Problème	Vérifier	Solution
Pas d'affichage/affichage partiel/la machine ne démarre pas	Vérifiez le raccordement électrique (à la prise murale).	Assurez-vous que la machine est branchée dans une prise murale fonctionnelle.
	Vérifiez le branchement à l'avant (vélo à position allongée) ou à l'arrière (vélo droit) de la machine.	La connexion doit être sécurisée et intacte. Remplacez l'adaptateur ou la prise au niveau de la machine si un ou l'autre semble endommagé.
	Vérifiez l'intégrité du câble de données.	Tous les fils du câble doivent être intacts. Si des fils sont visiblement élimés ou coupés, remplacez le câble.
	Vérifiez les branchements/orientation du câble de données	Assurez-vous que le câble est branché de façon sécuritaire et qu'il est adéquatement orienté. Un petit loquet sur le connecteur doit être aligné et s'enclencher en place.
	Vérifiez l'affichage de la console pour tout dommage	Inspectez la console pour détecter un signe visuel qu'elle est craquée ou autrement endommagée. Remplacez la console si elle est endommagée.
	Affichage de la console	Si l'affichage de la console est partiel et que toutes les connexions sont bonnes, remplacez la console. Si les étapes énumérées ci-dessus ne ressoudent pas le problème, communiquez avec le service clientèle pour obtenir de l'aide.
La machine fonctionne, mais la fréquence cardiaque de contact n'apparaît pas.	Connexion du câble de fréquence cardiaque au niveau de la console	Assurez-vous que le câble est correctement branché à la console.
	Connexion du câble de FC à la boîte (vélo en position allongée seulement)	Assurez-vous que les câbles provenant du guidon et les câbles allant à la console sont bien en place et qu'ils ne sont pas endommagés. Sur certains modèle de vélos, il est possible que le dossier du siège doivent être soulevé pour accéder à la boîte à câbles.
	Prise du capteur	Vérifiez que les mains sont centrées sur les capteurs de fréquence cardiaque. Les mains doivent rester immobile et exercer une pression relativement égale de chaque côté.
	Mains sèches ou calleuses	Les capteurs peuvent fonctionner difficilement si les mains sont sèches ou calleuses. Une crème conductive pour électrode telle que le « Signa Crème » ou « Buh-Bump » peut favoriser le fonctionnement du capteur. Vous pouvez vous procurer ces crèmes sur le Web ou dans certains magasins d'équipement médical ou de conditionnement physique.

	Guidon	Si les tests ne révèlent aucun autre problème, le guidon devrait être remis en place.
La machine fonctionne, mais la fréquence cardiaque télémétrique (si équipée) n'apparaît pas.	Sangle de poitrine	La lanière doit être compatible « Polar® ». Assurez-vous que la lanière est bien appliquée contre la peau et que la zone de contact est humide.
	Interférences	Essayez d'éloigner la machine des sources d'interférences (téléviseur, four à micro-ondes, etc.). Si l'interférence est éliminée et que la FC ne fonctionne toujours pas, remplacez la sangle et la console.
La console affiche le code d'erreur « E2 »	Vérifiez l'intégrité du câble de données.	Tous les fils du câble doivent être intacts. Si des fils sont élimés ou coupés, remplacez le câble.
	Vérifiez les branchements/orientation du câble de données	Assurez-vous que le câble est branché de façon sécuritaire et qu'il est adéquatement orienté. Un petit loquet sur le connecteur doit être aligné et s'enclencher en place.
	Électronique de la console	Si les tests ne révèlent aucun autre problème, la console devrait être remise en place.
Pas de lecture de vitesse/tours minute, La console affiche le code d'erreur « E3 »	Vérifiez l'intégrité du câble de données.	Tous les fils du câble doivent être intacts. Si des fils sont élimés ou coupés, remplacez le câble.
	Vérifiez les branchements/orientation du câble de données	Assurez-vous que le câble est branché de façon sécuritaire et qu'il est adéquatement orienté. Un petit loquet sur le connecteur doit être aligné et s'enclencher en place.
	Vérifiez la position de l'aimant (nécessite le retrait de l'enveloppe)	Un aimant devrait se trouver sur le volant d'inertie. Si aucun aimant n'est présent, remplacez le volant d'inertie ou toute la base (si le volant d'inertie ne peut être remplacé).
	Vérifiez la position du compte-tours (nécessite le retrait de l'enveloppe)	Le compte-tours doit être aligné avec l'aimant et connecté au câble de données. Réalignez le capteur au besoin. Remplacez-le si le capteur ou son câble de connexion semble endommagé.

La console s'arrête (passe en mode sommeil) pendant son fonctionnement.	Vérifiez l'intégrité du câble de données.	Tous les fils du câble doivent être intacts. Si des fils sont élimés ou coupés, remplacez le câble.
	Vérifiez les branchements/orientation du câble de données	Assurez-vous que le câble est branché de façon sécuritaire et qu'il est adéquatement orienté. Un petit loquet sur le connecteur doit être aligné et s'enclencher en place.
	Réinitialiser la machine (si elle est équipée d'un bouton de réinitialisation)	Débranchez l'unité de la prise électrique pendant 3 minutes. Rebranchez la prise. Une fois que la console s'est mise en marche, appuyez sur « Reset » (réinitialiser).
	Vérifiez la position de l'aimant (technicien seulement – nécessite le retrait de l'enveloppe)	Un aimant devrait se trouver sur le volant d'inertie. S'il n'y a pas d'aimant, remplacez le volant d'inertie ou la base entière.
Ventilateur (si équipé) ne se met pas en marche ou ne s'arrête pas	Vérifiez l'intégrité du câble de données.	Tous les fils du câble doivent être intacts. Si des fils sont élimés ou coupés, remplacez le câble.
	Vérifiez les branchements/orientation du câble de données	Assurez-vous que le câble est branché de façon sécuritaire et qu'il est adéquatement orienté. Un petit loquet sur le connecteur doit être aligné et s'enclencher en place.
	Réinitialiser la machine (si elle est équipée d'un bouton de réinitialisation)	Débranchez l'unité de la prise électrique pendant 3 minutes. Rebranchez la prise. Une fois que la console s'est mise en marche, appuyez sur « Reset » (réinitialiser).
	Vérifiez le capteur RPM (tr/min)	Communiquez avec le Service clientèle pour assistance.
La machine oscille/n'est pas stable	Vérifiez le réglage du niveau	Le pied de mise à niveau peut être tourné vers l'intérieur ou l'extérieur pour mettre le vélo à niveau.
	Vérifiez la surface sous la machine.	Le réglage peut ne pas compenser pour les surfaces extrêmement inégales. Déplacez le vélos sur une surface plane.
Pédales desserrées/difficiles à mouvoir	Vérifiez le lien pédale-manivelle	La pédale devrait être serrée solidement sur la manivelle. Assurez-vous que la connexion n'est pas faussée.
	Vérifiez l'angle de connexion de la manivelle.	La manivelle devrait être serrée solidement sur l'axe. Assurez-vous que les manivelles soient connectées à 180 degrés l'une de l'autre.
Mouvement de la tige du siège	Vérifiez la tige de verrouillage	Assurez-vous que la tige de réglage du siège est verrouillée dans un des trous de réglage de la tige du siège.
	Vérifiez le bouton de réglage	Assurez-vous que le bouton est solidement serré.

Coordonnées

AMÉRIQUE DU NORD

SERVICE CLIENTÈLE

Tél. : (800) 605-3369

Courriel: customerservice@schwinnfitness.com

SIÈGE SOCIAL DU GROUPE

Nautilus, Inc.

Siège social mondial

16400 SE Nautilus Drive

Vancouver, WA, USA 98683

Tél : (800) NAUTILUS (628-8458)

ASIE-PACIFIQUE ET AMÉRIQUE LATINE

SERVICE CLIENTÈLE

Tél. : (360) 859-5180

Télécopie: (360) 859-5197

Courriel: technics-APLA@nautilus.com

EUROPE, MOYEN-ORIENT ET AFRIQUE

SERVICE CLIENTÈLE INTERNATIONAL

Nautilus International GmbH

Albin-Köbis-Str. 4

51147 Köln

Tél. : + 49 02203 2020 0

Télécopie: + 49 02203 2020 45 45

Courriel: technics@nautilus.com

ALLEMAGNE et AUTRICHE

Nautilus International GmbH

Albin-Köbis-Str. 4

51147 Köln

Tél. : + 49 02203 2020 0

Télécopie: + 49 02203 2020 45 45

SUISSE

Nautilus Switzerland SA

Rue Jean Prouvé 6

CH-1762 Givisiez

Tél. : + 41 26 460 77 66

Télécopie: + 41 26 460 77 60

ROYAUME-UNI

Nautilus UK Ltd

4 Vincent Avenue

Crownhill, Milton Keynes, Bucks, MK8 0AB

Tél. : + 44 1908 267 345

Télécopie: + 44 1908 267 345

Numéro de série
Date d'achat



SCHWINN FITNESS

Imprimé en Chine

Nautilus®

Bowflex®

Schwinn® Fitness

StairMaster®

Universal®