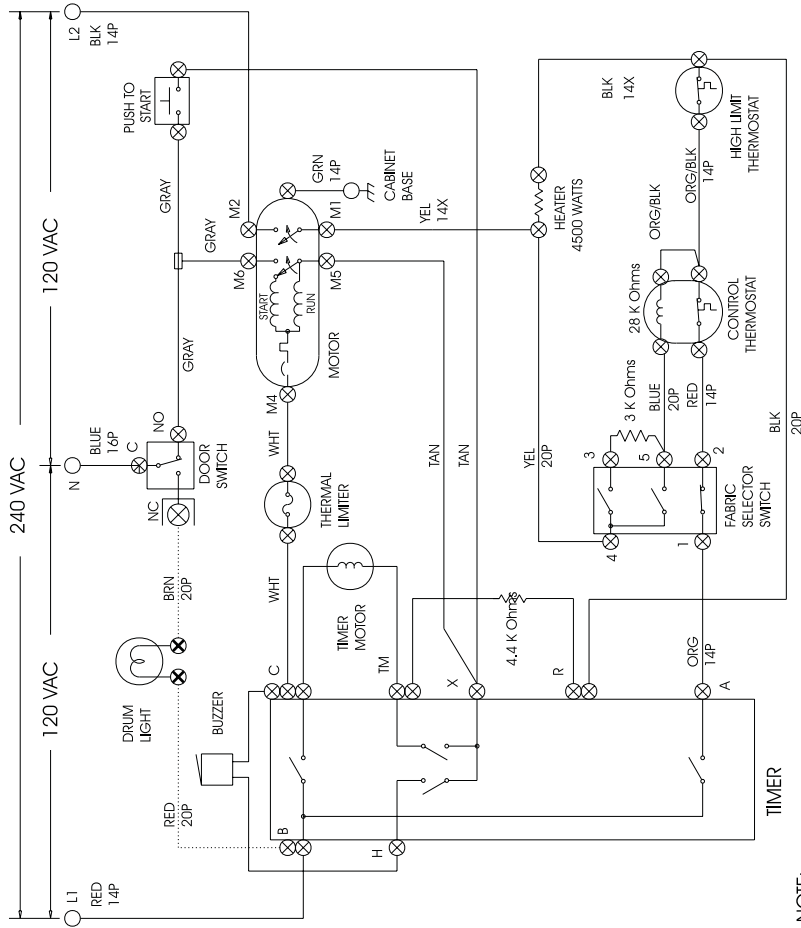
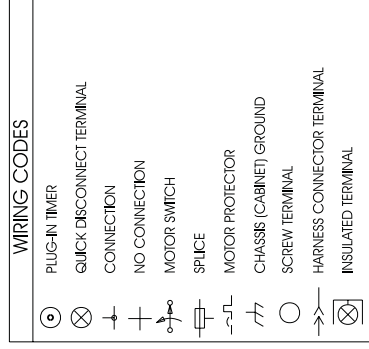


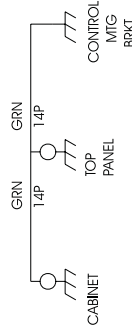
CAUTION: DISCONNECT ELECTRIC CURRENT BEFORE SERVICING



NOTE:
DASHED LINES INDICATE
CIRCUITS THAT ARE NOT
IN ALL MODELS.



- NOTES:
1. ALL WIRING MUST CONFORM TO LOCAL ELECTRICAL CODES.
 2. CONNECT DRYER TO A 30 AMPERE INDIVIDUAL BRANCH CIRCUIT.
 3. TIMER SHOWN IN OFF POSITION, DOOR SWITCH CLOSED, MOTOR AT REST, THERMOSTAT CLOSED AND FABRIC SELECTOR SWITCH AT REGULAR.



FUNCTION	CIRCUIT
REGULAR	1-2 4-3 4-5
MEDIUM	X X X
LOW	X X X
AIR FLUFF	X X X

X = CONTACTS CLOSED

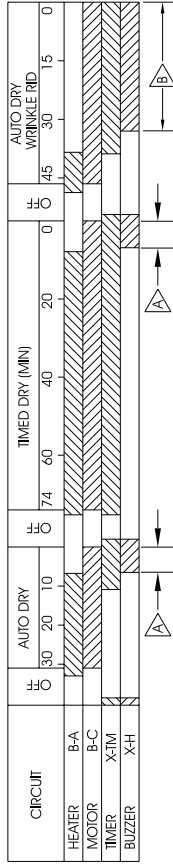
WIRE SPECIFICATIONS

CODE	WIRE GAUGE A.W.G.	INSULATION MATERIAL
20P	20	105°C PVC
18P	18	(POLYVINYLCHLORIDE)
14P	14	
14X	14	125C X-LINK

NOTE: ALL UNSPECIFIED WIRE CODES ARE 18P.

BAR CHART TO THE LEFT REPRESENTS ONE COMPLETE REVOLUTION OF TIMER SHAFT.

SHADED PORTION OF BAR CHART INDICATES THE PROPORTIONAL TIMES THAT INTERNAL TIMER CONTACTS ARE CLOSED.



A PULSER CAM, LOCATED NEXT TO THE BUZZER CAM AND ROTATING AT 12 REVOLUTIONS PER HOUR, ALLOWS CIRCUIT "X-H" TO CLOSE FOR 5 SECONDS (+/- 3 SECONDS)

A 1 OR 2 TIMES IN THIS AREA
B 6 TO 8 TIMES IN THIS AREA