

COUNTER-DEPTH REFRIGERATOR

E23CS75DSS

CAPACITIES

Total Capacity	22.6 Cu. Ft.
Fresh Food Volume	14.06 Cu. Ft.
Freezer Volume	8.50 Cu. Ft.
Total Shelf Area	23.70 Sq. Ft.
Fresh Food Shelf Area	17.26 Sq. Ft.
Freezer Shelf Area	6.40 Sq. Ft.

EXTERIOR

Ice/Water Dispenser	7 Button
Lighted Actuators	Yes
Night Light	Yes
Crushed/Cubes/Water	Yes
Express Ice™	Yes
Express Freeze™	Yes
Lock	Yes
Filter Reset	Yes

FRESH FOOD CONVENIENCES

Filtration System	pureadvantage™
Filter Location	Front
Temperature Alarm	Yes
Door Ajar Alarm	Yes
Power Failure Alarm	Yes
Sliding SpillSafe™ Glass Shelf	2
Smart Fit™ Sliding SpillSafe™ Glass Shelf	1
Clear 1-Gallon Removable Door Bin	1
Clear 2-Liter Adjustable Door Bin	2
Removable Dairy Compartment w/Clear Door	1
Clear Temperature-Controlled Deli/Meat Drawer	1
Condiment Bottle Door Storage	1
Dual Humidity-Controlled Clear Crisper	1
Lower Humidity-Controlled Clear Crisper	1
Clear Can/Wine Rack	1
Clear Tall Bottle Retainer	1
In-Door Can Rack	1
Tri-Level Lighting	Yes
Dynamic Cool™ Digital Temperature Control System	Yes

FREEZER CONVENIENCES

Automatic Icemaker w/Ice Server	Factory Installed
Icemaker On/Off Switch	Yes
Glass Shelf	2
Full-Extension Tall Basket	1
Full Basket	1
Half Basket	1
Fixed Door Bin	1
Tilt-Out Wire Door Rack	3
Ice Cream Shelf	Yes
Dual-Level Lighting	Yes

INSTALLATION

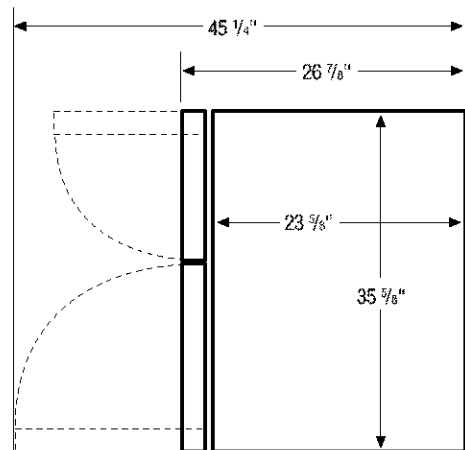
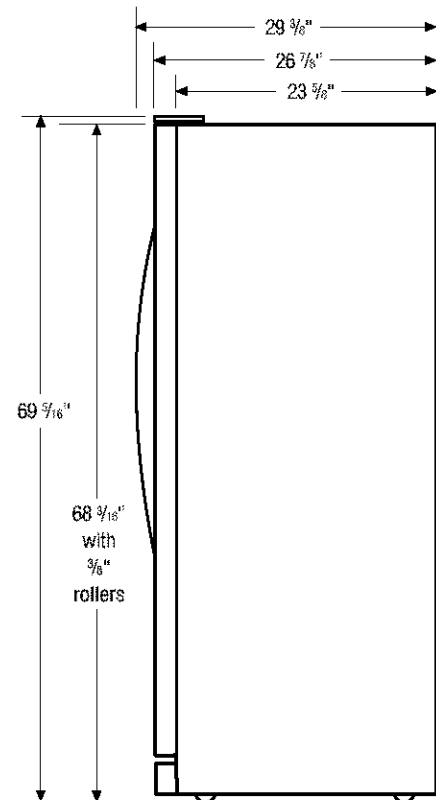
Adjustable Rollers	Yes
Door Stops	Yes

ACCESSORIES

Collar Trim Kit - RCK01S	Optional
--------------------------	----------

SPECIFICATIONS

Product Weight	300 Lbs.
Shipping Weight	325 Lbs.
UPC (0-12505-)	68805-8



NOTE: Always consult local and/or national electric codes. Refer to Product Installation Guide for detailed installation instructions or visit us on the web at www.electroluxusa.com.