

Warm & Serve Drawer

 FRIGIDAIRE
Gallery
and

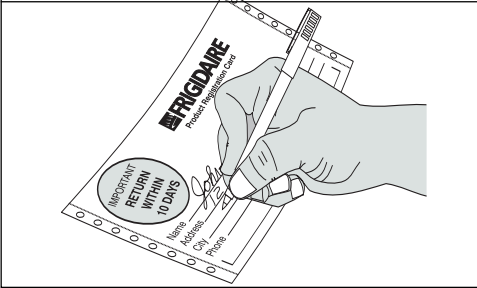
 FRIGIDAIRE
Gallery
Professional
S e r i e s

O w n e r ' s
G u i d e

Product Registration

Register Your Product

The **PRODUCT REGISTRATION CARD** should be filled in completely, signed and returned to Frigidaire Company.



This Owner's Guide contains general operating instructions for your warmer drawer.

Note: The instructions appearing in this Owner's Guide are not meant to cover every possible condition and situation that may occur. Common sense and caution must be practiced when installing, operating and maintaining any appliance.

Thank you for choosing this appliance. The information contained within this **Owner's Guide** will instruct you on how to properly install, operate and care for your appliance. Please read through the information contained in this manual to learn more about your new appliance.

Record Your Model and Serial Numbers

Record in the space provided below the model and serial numbers found on the right side of the drawer frame.

Model Number: _____

Serial Number: _____

Date of Purchase: _____

Contents

Product Registration	2
Important Safety Instructions	3-4
Before Setting Warmer Drawer Control	5
Setting Warmer Drawer Control	6
General Cleaning	7-8
Avoid Service Checklist	9
Installation Instructions	10-12
Warranty (for United States)	13
Warranty (for Canada)	14
Español	15-27
Français	28-40

IMPORTANT SAFETY INSTRUCTIONS

Read all instructions before using this appliance.

Save these instructions for future reference.

This guide contains important safety symbols and instructions. Please pay special attention to these symbols and follow all instructions given. Here is a brief explanation of the use of these symbols.

⚠ WARNING This symbol will help alert you to situations that may cause serious bodily harm, death or property damage.

⚠ CAUTION This symbol will help alert you to situations that may cause bodily injury or property damage.

- **Remove all tape and packaging wrap before using the warmer drawer. Destroy the carton and plastic bags after unpacking the appliance.** Never allow children to play with packaging material.
- **Proper Installation—Be sure your appliance is properly installed and grounded by a qualified technician in accordance with the National Electrical Code ANSI/NFPA No. 70—latest edition in the U.S. A., or CSA C22.1, Part 1 in Canada, and local code requirements.** Install only per installation instructions provided in this manual.

Ask your dealer to recommend a qualified technician and an authorized repair service. Know how to disconnect the electrical power to the drawer at the circuit breaker or fuse box in case of an emergency.

- **User Servicing—Do not repair or replace any part of the appliance unless specifically recommended in the manuals.** All other servicing should be done only by a qualified technician to reduce the risk of personal injury and damage to the appliance.
- **Never modify or alter the construction of a drawer by removing panels, wire covers, locking plates, or any other part of the product.**

⚠ WARNING

- ALL WARMER DRAWERS CAN TIP.
- INJURY TO PERSONS COULD RESULT.
- INSTALL ANTI-TIP DEVICE PACKED WITH WARMER DRAWER.
- SEE INSTALLATION INSTRUCTIONS.

⚠ WARNING

TO REDUCE THE RISK OF TIPPING OF THE WARMER DRAWER, THE DRAWER MUST BE SECURED BY PROPERLY INSTALLED ANTI-TIP LOCKING PLATES PROVIDED WITH THE DRAWER. TO CHECK IF THE LOCKING PLATES ARE INSTALLED PROPERLY, GRASP THE HANDLE OF THE OPEN DRAWER AND SEE IF THE DRAWER WILL SLIDE OUT OF THE OPENING. REFER TO THE INSTALLATION INSTRUCTIONS FOR PROPER LOCKING PLATE INSTALLATION.

⚠ WARNING **Stepping, leaning or sitting on the door or drawer can result in serious injuries and may also cause damage to the warmer drawer.** Do not allow children to climb or play around the drawer. An open drawer, when hot, may cause burns.

• **Storage in or on Appliance—Flammable materials should not be stored in the drawer.** This includes paper, plastic and cloth items, such as cookbooks, plasticware and towels, as well as flammable liquids. Do not store explosives, such as aerosol cans, on or near the warmer drawer. Flammable materials may explode and result in fire or property damage.

• **Do not leave children alone. Children should not be left alone or unattended in the area where an appliance is in use.** They should never be allowed to sit or stand on any part of the appliance.

• **DO NOT TOUCH INTERIOR SURFACES OF THE WARMER DRAWER.** Surfaces may be hot even though they are dark in color. During and after use, do not touch, or let clothing or other flammable materials touch these areas until they have had sufficient time to cool.

• **Wear Proper Apparel—Loose-fitting or hanging garments should never be worn while using the appliance.** Do not let clothing or other flammable materials contact hot surfaces.

• **Use Only Dry Potholders—Moist or damp potholders on hot surfaces may result in burns from steam.** Do not let the potholders touch hot heating elements. Do not use a towel or other bulky cloth instead of a potholder.

• **Do Not Heat Unopened Food Containers—Build-up of pressure may cause the container to burst and result in injury.**

• **IMPORTANT—Do not attempt to operate the warmer drawer during a power failure. If the power fails, always turn the control off.** If the drawer is not turned off and the power resumes, the drawer may begin to operate again. Food left unattended could spoil.

⚠ WARNING **Never use your appliance for warming or heating the room.**

⚠ WARNING **Do not use the warmer drawer for storage.**

IMPORTANT SAFETY INSTRUCTIONS *(continued)*

IMPORTANT INSTRUCTIONS FOR USING YOUR WARM & SERVE DRAWER

- **Protective Liners**—Do not use aluminum foil to line warmer drawer. Any other use of protective liners or aluminum foil may result in poor performance or damage to the appliance. Only use aluminum foil as recommended for baking if used as a cover placed on the food.
- **Glazed Cooking Utensils**—Only certain types of glass, glass/ceramic, ceramic, earthenware, or other glazed utensils are suitable for use without breaking due to the sudden change in temperature. Check the manufacturer's recommendations.
- **Use Care When Opening Warmer Drawer**—Stand to the side of the unit when opening the door of a hot drawer. Let hot air or steam escape before you remove or replace food in the warmer drawer.
- **Placement of Warmer Drawer Racks**—Always place rack in desired location while drawer is cool. If rack must be moved while hot, use extreme caution. Use potholders and grasp the rack with both hands to reposition. Do not let potholders contact the hot element or interior of the warmer drawer. Remove all utensils from the rack before removing rack.

IMPORTANT INSTRUCTIONS FOR CLEANING YOUR WARM & SERVE DRAWER

- **Clean the drawer regularly to keep all parts free of grease that could catch fire.** Do not allow grease to accumulate. Greasy deposits could catch fire.
- **Kitchen cleaners/aerosols**—Always follow the manufacturer's recommended directions for use. Be aware that excess residue from cleaners and aerosols may ignite causing damage and/or injury.

SAVE THESE INSTRUCTIONS

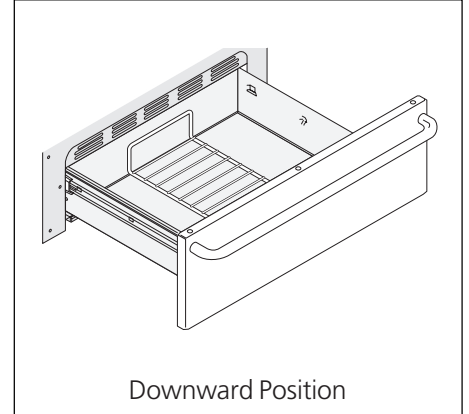
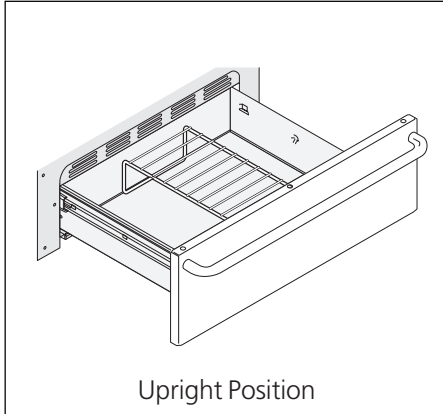
Before Setting Warmer Drawer Control

Arranging Warmer Drawer Rack Positions

Set the warmer drawer rack in the vertical position as shown below.

The rack can be used in 2 ways:

- In the **upright position** to allow low profile food items to be placed both under and on top of the rack (for example, rolls or biscuits on top of the rack and a casserole dish under).
- In the **downward position** to allow you to place light weight food items and empty dishware (for example, rolls or pastries and dinner plates).

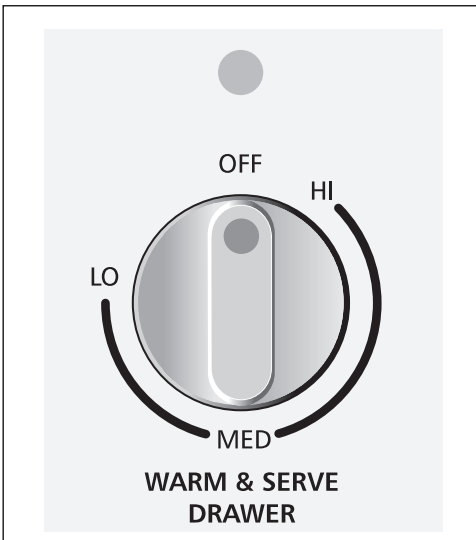


Setting Warmer Drawer Control

Use the warmer drawer to keep hot foods hot such as: vegetables, gravies, meats, casseroles, biscuits and rolls, pastries and heated dinner plates.

The warmer drawer is equipped with a catch which may require extra force when opening and closing the drawer.

Note: The knob shown below is typical only.



Warmer Drawer Recommended Food Settings Chart

Food Item	Setting
Bacon	HI
Biscuits	MED
Casseroles	MED
Eggs	MED
Empty Dinner Plates	LO
Fish, Seafood	MED
Fried Foods	HI
Gravies, creams, sauces	MED
Ham	MED
Hamburger Patties	HI
Pancakes, Waffles	HI
Pastries	MED
Pies	MED
Pizza	HI
Pork Chops	HI
Potatoes (baked)	HI
Potatoes (mashed)	MED
Poultry	HI
Roasts (Beef, Pork, Lamb)	MED
Rolls, soft	LO
Rolls, hard	MED
Vegetables	MED

To Operate the Warmer Drawer

The purpose of the warmer drawer is to keep hot cooked foods at serving temperature. Always start with hot food. It is not recommended to heat cold food in the warmer drawer.

All food placed in the warmer drawer should be covered with a lid or aluminum foil to maintain moisture and softness. Do not cover crisp foods. **Do not use plastic wrap to cover food. Plastic may melt onto the drawer and be very difficult to clean.**

Use only dishware, utensils and cookware recommended for oven use in the warmer drawer.

CAUTION Always use potholders or oven mitts when removing food from the warmer drawer as cookware and plates will be hot.

Indicator Light

The indicator light is located above the thermostat control knob. It turns on when the control is set, and stays on until the control is turned off. Make sure indicator light is off when removing food from drawer.

To Set the Thermostat Control

The thermostat control knob is used to select the temperature of the warmer drawer. It is located at the right side of the warmer drawer in the open position. The temperatures are approximate, and are designated by HI, MED and LO. The control can be set to the three settings, or anywhere between.

1. To set the thermostat, push in and turn the knob to the desired setting.
2. For best results, preheat the drawer before adding food. An empty drawer will reach the LO setting in about 12 minutes, the MED setting in about 15 minutes, and the HI setting in about 18 minutes.
3. When done, turn the thermostat control to OFF.

Temperature Selection

Refer to the chart in the side column for recommended settings. If a particular food is not listed, start with the medium setting. If more crispness is desired, remove the lid or aluminum foil.

Most foods can be kept at serving temperatures by using the medium setting.

When a combination of foods are to be kept warm (for instance, a meat with 2 vegetables and rolls), use the high setting.

Refrain from opening the warmer drawer while in use to eliminate loss of heat from the drawer. Open only for adding or removing food.

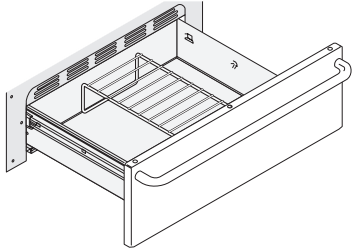
To Warm Serving Bowls and Plates

Heat bowls and plates on the LO setting. Place empty dishes on the rack to raise them off drawer bottom. To further heat dishes or to heat fine china, check with the manufacturer for maximum heat tolerance.

General Cleaning

Cleaning Various Parts of Your Appliance

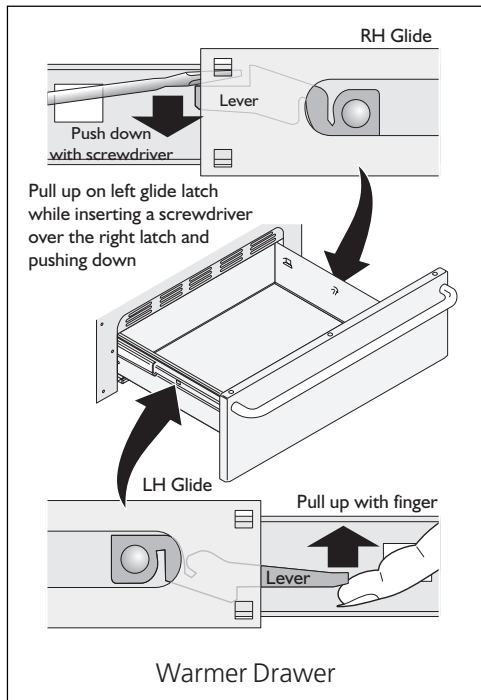
Before cleaning any part of the drawer, be sure control is turned OFF and the drawer is COOL. REMOVE SPILLOVERS AND HEAVY SOILING AS SOON AS POSSIBLE. REGULAR CLEANINGS WILL REDUCE THE NUMBER OF MAJOR CLEANINGS LATER.

Surfaces	How to Clean
Vinyl	Use hot, soapy water and a cloth. Dry with a clean cloth.
Plastic Control Knobs, Control Panel	To remove control knob, turn to the OFF position; grasp firmly and pull straight off the shaft. Clean with a cloth soaked in soapy water. Rinse with a clean water and a dishcloth. Be sure to squeeze excess water from the cloth before wiping the panel; especially when wiping around the controls. Excess water in or around the controls may cause damage to the appliance. To replace knob after cleaning, line up the flat sides of both the knob and the shaft; then push the knob into place.
Stainless Steel Door	Cleaners made especially for stainless steel are recommended. Always follow the manufacturer's instructions. Be sure to rinse the cleaners. DO NOT clean the door gasket. The door gasket is essential for a good seal. Care should be taken not to rub, damage or remove the gasket.
Porcelain Enamel Door Liner, Body Parts and Drawer Cavity	Gentle scouring with a soapy scouring pad will remove most spots. Rinse with a 1:1 solution of clear water and ammonia. <i>If necessary</i> , cover difficult spots with an ammonia-soaked paper towel for 30 to 40 minutes. Rinse with clean water and a damp cloth, and then scrub with a soap-filled scouring pad. Rinse and wipe dry with a clean cloth. Remove all cleaners or the porcelain may become damaged during future heating. DO NOT use spray oven cleaners.
Warmer Drawer Rack 	The rack may be removed for cleaning. If removed, clean by using a mild, abrasive cleaner following manufacturer's instructions. Rinse with clean water and dry.

General Cleaning

(continued)

⚠ WARNING Turn the warmer drawer control knob to OFF before removing the drawer. **DO NOT** touch the warmer drawer element. The element may still be hot enough to cause burns, even if it is dark in color.



⚠ WARNING

Electrical Shock Hazard can occur and result in serious injury or death.

Disconnect appliance from electric power before cleaning and servicing the warmer drawer.

To Remove and Replace Warmer Drawer

To Remove Warmer Drawer:

1. Make sure the drawer is COOL. Open the drawer to the fully opened position.
2. Locate the latches on both sides of the warmer drawer. The left latch is visible. However, the right side is not and is located inside the drawer glides.
3. Pull up on the left glide latch while inserting a screwdriver over the right latch and pushing down, while pulling the drawer out.
4. To clean warmer drawer and drawer cavity, see the cleaning chart on page 7.

To Replace Warmer Drawer:

1. Align the glide latches on both sides of the drawer with the slots on the drawer.
2. Push the drawer back in.

Avoid Service Checklist

Before you call for service, review this list. It may save you time and expense. The list includes common occurrences that are not the result of defective workmanship or materials in this appliance.

OCCURRENCE

POSSIBLE CAUSE/SOLUTION

Drawer is not level.

Poor installation. Place a level on the cutout bottom. Make sure bottom is level.

Be sure cutout bottom is strong and stable enough to adequately support drawer (and wall oven, if applicable).

***Cannot move appliance easily.
Appliance must be accessible for service.***

Cabinets not square or are built in too tightly. Contact builder or installer to make appliance accessible.

Warmer drawer does not operate.

Make sure cord/plug is plugged tightly into outlet.

Service wiring is not complete. Contact your dealer, installing agent or authorized servicer.

Power outage. Check house lights to be sure. Call your local electric company for service.

WARM & SERVE DRAWER INSTALLATION INSTRUCTIONS

**INSTALLATION AND SERVICE MUST BE PERFORMED BY A QUALIFIED INSTALLER.
IMPORTANT: SAVE FOR LOCAL ELECTRICAL INSPECTOR'S USE.
READ AND SAVE THESE INSTRUCTIONS FOR FUTURE REFERENCE.**

! WARNING FOR YOUR SAFETY: Do not store or use gasoline or other flammable vapors and liquids in the vicinity of this or any other appliance.

GENERAL INFORMATION

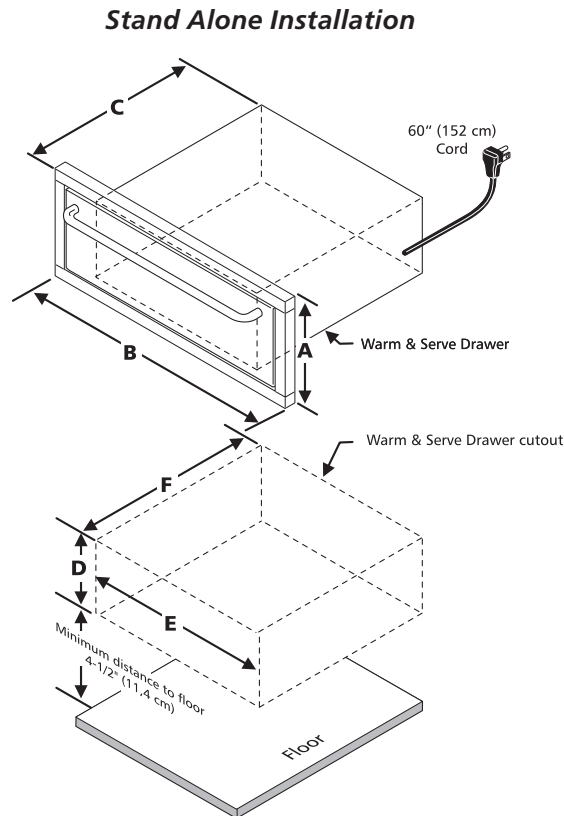
The Warm & Serve Drawer can be used:

- As a stand alone appliance
- As a combination Warm & Serve Drawer with a 30" (76 cm) built-in oven mounted above

IMPORTANT: The warmer drawer must be installed on a leveled surface from left to right, rear to front.

Warm & Serve Drawer Dimensions

NOTE: A 60" (152 cm) long cable is supplied with the Warm & Serve Drawer.

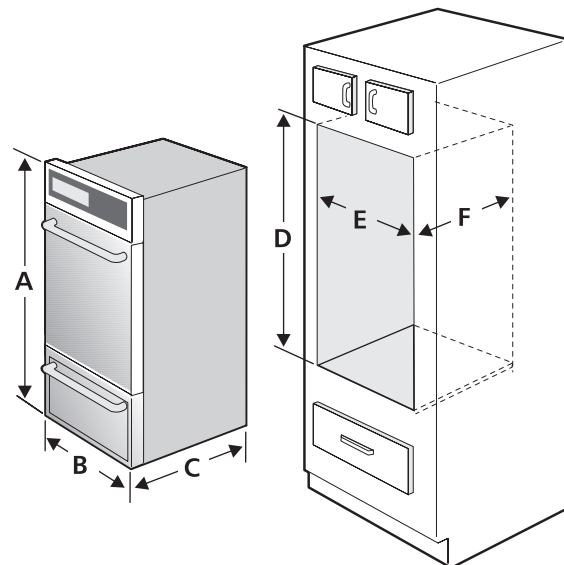


A. HEIGHT	B. WIDTH	C. DEPTH
9 7/8" (25 cm)	30" (76,2 cm)	24 5/8" (62,5 cm)

	D. CUTOUT HEIGHT	E. CUTOUT WIDTH	F. CUTOUT DEPTH
Min.	8 3/8" (21,3 cm)	28 1/2" (72,4 cm)	24" (61 cm)
Max.	8 5/8" (21,9 cm)	28 3/4" (73 cm)	

IMPORTANT: The Warm & Serve Drawer runs off a single phase three-wire 120 volt, 60 hertz, AC only electrical supply with ground.

Combination Warm & Serve Drawer/ 30" (76 cm) Built-in Oven Installation



A. HEIGHT	B. WIDTH	C. DEPTH
40" (101,5 cm)	30" (76,2 cm)	24 5/8" (62,5 cm)

	D. CUTOUT HEIGHT	E. CUTOUT WIDTH	F. CUTOUT DEPTH
Min.	38 1/2" (97,8 cm)	28 1/2" (72,4 cm)	24" (61 cm)
Max.	39" (99,1 cm)	28 3/4" (73 cm)	

WARM & SERVE DRAWER INSTALLATION INSTRUCTIONS

Important Notes to the Installer

1. Read all instructions contained in these installation instructions before installing appliance.
2. Remove all packing material from appliance before connecting the electrical supply.
3. Observe all governing codes and ordinances.
4. Be sure to leave these instructions with the consumer.

Important Note to the Consumer

Keep these instructions for future reference.

IMPORTANT SAFETY INSTRUCTIONS

- **Be sure your appliance is installed and plugged into a 120 Volt grounded outlet.**
- **This appliance must be electrically grounded in accordance with the National Electrical Code ANSI/NFPA No. 70—latest edition in the United States, or CSA C22.1, Part 1 in Canada, and local code requirements.**

Tools You Will Need

Phillips® Screwdriver
Pencil
Ruler or Tape Measure and Straight-edge
Hand Saw or Saber Saw
Spirit Level

Warm & Serve Drawer Installation

1. Remove the 2 support brackets attached by 2 screws to the top of drawer (see Figure 1). Discard these 2 screws. These brackets are required only if drawer is to be combined with a 30" (76 cm) built-in oven mounted above.

Go to step 2 if warmer drawer is installed under a 30" (76 cm) electric wall oven.

If drawer is to be used as a stand alone drawer, discard support brackets and go to step 3.

2. Insert support bracket tabs in the locating slots on top of warmer drawer. Use the 4 screws removed from sides of warmer drawer to secure support brackets to drawer housing (see Figure 1).

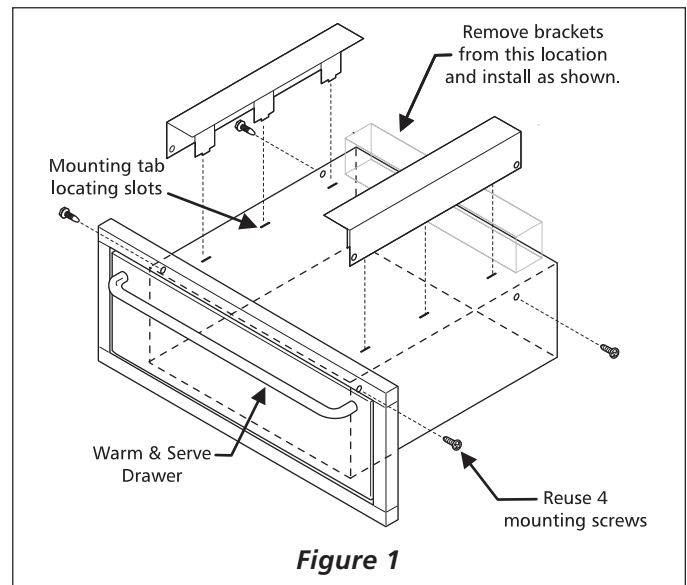
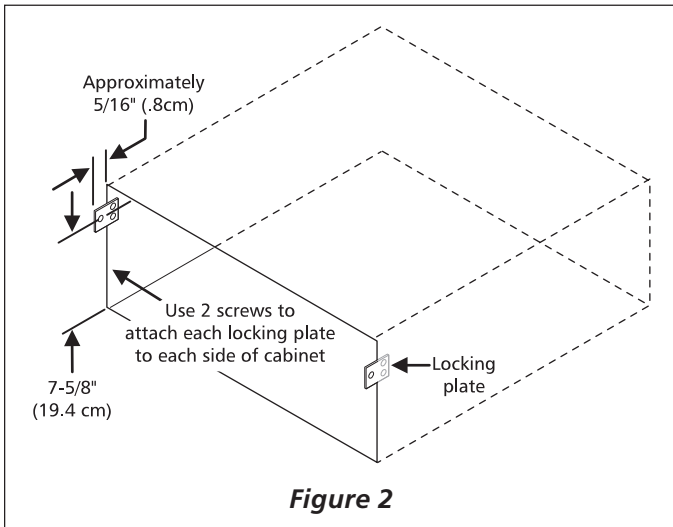


Figure 1

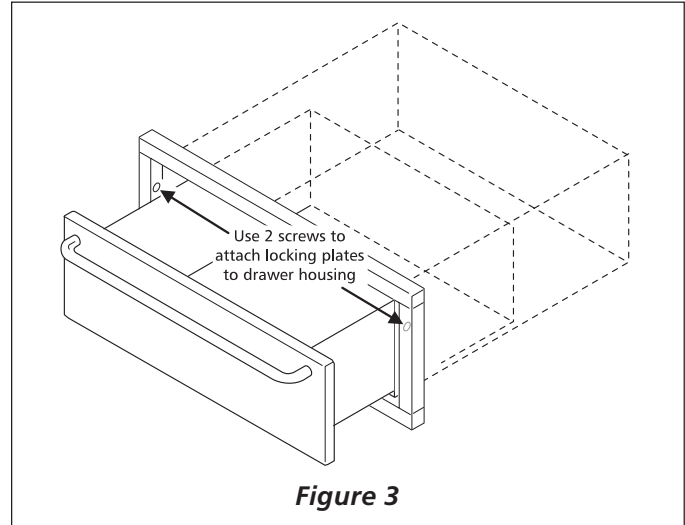
WARM & SERVE DRAWER INSTALLATION INSTRUCTIONS

NOTE: For stand-alone installation, the base must be capable of supporting 100 lbs. (45 kg). For a combination Warm & Serve Drawer and built-in oven installation, the base must be capable of supporting 250 lbs. (114 kg).

3. Remove the 2 locking plates and 6 screws included in literature package. Mount the locking plates on each side of cabinet opening, along inside of cutout, as shown in Figure 2. Center hole must be 7-5/8" (19,4 cm) from cutout bottom to line up with holes in warmer drawer housing. Use the 2 black screws to fasten each locking plate to the cabinet.



4. Slide drawer into cutout opening until front frame of drawer is flush against cabinet. Be careful not to pinch electrical cord.
5. Open drawer and secure housing to locking plates using the 2 nickel-plated screws supplied. Drive screws from inside drawer into middle hole in each locking plate (see Figure 3). **Do not overtighten screws.**



6. The 60" (152 cm) appliance power cord can now be connected into the 120 Volt outlet.
7. Proceed with mounting built-in oven above the drawer (if applicable). Follow installation instructions provided with built-in oven. Make sure to use anti-tip brackets supplied with the built-in oven.

NOTE: Use a piece of cardboard to protect warmer drawer frame and prevent scratching when installing wall oven over warmer drawer.

FRIGIDAIRE GALLERY WARM & SERVE DRAWER WARRANTY

Your Frigidaire product is protected by this warranty (for United States)

	WARRANTY PERIOD	FRIGIDAIRE, THROUGH ITS AUTHORIZED SERVICERS, WILL:	THE CONSUMER WILL BE RESPONSIBLE FOR:
FULL ONE-YEAR WARRANTY	One year from original purchase date.	Pay all costs for repairing or replacing any parts of this appliance which prove to be defective in materials or workmanship.	Costs of service calls that are listed under NORMAL RESPONSIBILITIES OF THE CONSUMER.*
LIMITED WARRANTY (Applicable to the State of Alaska)	Time period listed above.	All of the provisions of the full warranty above and the exclusions listed below apply.	Costs of the technician's travel to the home and any costs for pick up and delivery of the appliance required because of service.

Your appliance is warranted by Frigidaire Home Products, a division of White Consolidated Industries, Inc. We authorize no person to change or add to any of our obligations under this warranty. Our obligations for service and parts under this warranty must be performed by Frigidaire Home Products Consumer Services or an authorized Frigidaire servicer.

***NORMAL RESPONSIBILITIES OF THE CONSUMER**

This warranty applies only to products in ordinary household use, and the consumer is responsible for the items listed below:

1. Proper use of the appliance in accordance with instructions provided with the product.
2. Proper installation by an authorized servicer in accordance with instructions provided with the appliance and in accordance with all local plumbing, electrical and/or gas codes.
3. Proper connection to a grounded power supply of sufficient voltage, replacement of blown fuses, repair of loose connections or defects in house wiring.
4. Expenses for making the appliance accessible for servicing, such as removal of trim, cupboards, shelves, etc., which are not a part of the appliance when it was shipped from the factory.
5. Damages to finish after installation.
6. Replacement of light bulbs and/or fluorescent tubes (on models with these features).

EXCLUSIONS

This warranty does not cover the following:

1. CONSEQUENTIAL OR INCIDENTAL DAMAGES SUCH AS PROPERTY DAMAGE AND INCIDENTAL EXPENSES RESULTING FROM ANY BREACH OF THIS WRITTEN OR ANY IMPLIED WARRANTY.
Note: Some states do not allow the exclusion or limitation of incidental or consequential damages, so this limitation or exclusion may not apply to you.
2. Service calls which do not involve malfunction or defects in workmanship or material, or for appliances not in ordinary household use. The consumer shall pay for such service calls.
3. Damages caused by services performed by persons other than authorized Frigidaire servicers; use of parts other than Frigidaire Home Products Genuine Renewal Parts; obtained from persons other than such servicers; or external causes such as abuse, misuse, inadequate power supply or acts of God.
4. Products with original serial numbers that have been removed or altered and cannot be readily determined.

IF YOU NEED SERVICE

Keep your bill of sale, delivery slip, or some other appropriate payment record. The date on the bill establishes the warranty period should service be required. If service is performed, it is in your best interest to obtain and keep all receipts. This written warranty gives you specific legal rights. You may also have other rights that vary from state to state. Service under this warranty must be obtained by following these steps, in order:

1. Contact Frigidaire Home Products Consumer Services or an authorized Frigidaire servicer.
2. If there is a question as to where to obtain service, contact our Consumer Relations Department at:

Frigidaire Home Products Consumer Relations
P.O. Box 212378
Augusta, Georgia 30917-2378
(800) 944-9044



Product features or specifications as described or illustrated are subject to change without notice. All warranties are made by White Consolidated Industries, Inc. This warranty applies only in the 50 states of the U.S.A. and Puerto Rico.

FRIGIDAIRE *Gallery*

WARRANTY *(for Canada)* **WARM & SERVE DRAWER**

WARRANTOR:

FRIGIDAIRE HOME PRODUCTS
7075 Ordan Drive
Mississauga, Ontario
L5T 1K6

This warmer drawer is a branded product of Frigidaire Home Products.

For service under this warranty, contact your local dealer/retailer, authorized FRIGIDAIRE PARTS AND SERVICE depot or:

FRIGIDAIRE PARTS AND SERVICE

7075 Ordan Drive
Mississauga, Ontario, L5T 1K6
Tel: (905) 565-9200
Fax: (905) 565-0937

WARRANTY PERIOD:

For the first and second years after purchase by the original owner.

For the third through fifth years after purchase by the original owner.

WARRANTOR WILL, THROUGH ITS AUTHORIZED SERVICE DEPOT:

Pay all costs to repair or replace defective parts.

Pay all costs (excluding service and labour charge) to repair or replace defective heating element.

WARRANTY APPLIES TO:

- a) Products purchased and installed in Canada for personal single family household use.
- b) Defects resulting or arising out of the manufacturing process.
- c) Products bearing legible manufacturer's model and serial numbers.
- d) Replacements parts only, for the remainder of the original warranty.

WARRANTY DOES NOT APPLY TO:

- a) Transportation damage.
- b) Supply and replacement of porcelain.
- c) Parts and service supplied or obtained from other than FRIGIDAIRE PARTS AND SERVICE or FRIGIDAIRE PARTS AND SERVICE authorized depots.
- d) Damage or failure as the result of abuse, improper or commercial use.

CONSUMER/OWNER RESPONSIBILITY:

- a) To provide proof of the original date of purchase by means of a bill of sale verifying purchase date.
- b) To pay all costs to make the appliance readily accessible for service.
- c) To ensure proper power supply and connection of the appliance to the same.
- d) Proper installation, control setting and care of finish.

This warranty is in addition to any statutory warranties contained in any applicable legislation. The terms and conditions of this warranty are not intended to exclude or limit your rights under those statutes. The warrantor, however, reserves the right to charge transportation and travelling costs for distances in excess of 48 kilometers (30 miles) from the nearest FRIGIDAIRE PARTS AND SERVICE authorized service depot.

This warranty plus the statutory warranties mentioned are the only warranties given to the consumer/owner for this product.

Tiroir-réchaud

 FRIGIDAIRE
Gallery

et

 FRIGIDAIRE
Gallery

Séries
Professionnelles

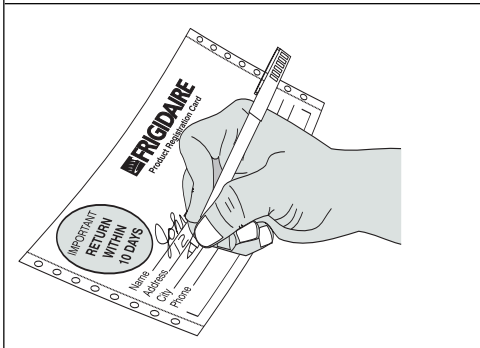
Guide de
l'utilisateur

VISIBLEMENT mieux

Enregistrement de l'appareil

Enregistrez votre appareil

La **CARTE D'ENREGISTREMENT** doit être remplie avec soin, puis signée et retournée à la compagnie Frigidaire Canada.



Ce guide donne des instructions générales pour votre tiroir-réchaud.

Remarque: Les instructions données dans ce guide ne couvrent pas toutes les conditions et situations possibles. Utilisez de bon sens et de prudence lors de l'installation, de l'emploi et de l'entretien de tout appareil ménager.

Nous vous remercions d'avoir choisi cet appareil. Les informations contenues dans ce **guide de l'utilisateur** vous indiqueront comment utiliser correctement votre appareil et comment en prendre soin. Veuillez lire tous les renseignements contenus dans votre documentation pour mieux connaître votre nouvel appareil.

Enregistrez les numéros de modèle et de série de votre appareil

Indiquez ci-dessous les numéros de modèle et de série que vous trouverez sur la plaque signalétique située à la droite sur le cadre avant du tiroir.

Numéro de modèle _____

Numéro de série _____

Date de l'achat _____

Contenu

Enregistrement de l'appareil	29
Importantes mesures de sécurité	30-31
Avant le réglage de la commande du tiroir-réchaud	32
Réglage de la commande du tiroir-réchaud	33
Nettoyage général	34-35
Liste de contrôle anti-panne	36
Instructions d'installation	37-39
Garantie (pour le Canada)	40

IMPORTANTES MESURES DE SÉCURITÉ

Lisez toutes les directives avant d'utiliser l'appareil.

Conservez ces directives pour référence future.

Ce guide contient des instructions et symboles de sécurité importants. Veuillez faire particulièrement attention à ces symboles et suivre les instructions données. Voici une brève explication de ces symboles.

⚠ AVERTISSEMENT Ce symbole vous prévient des situations qui risquent d'entraîner de graves blessures, la mort ou des dommages matériels.

⚠ MISE EN GARDE Ce symbole vous prévient des situations pouvant entraîner des blessures ou dommages matériels.

- **Enlevez tout le ruban et les matériaux d'emballage avant d'utiliser le tiroir-réchaud. Détruisez le cartonnage et les sacs en plastique après le déballage de l'appareil.** Ne laissez jamais les enfants jouer avec les matériaux d'emballage.
- **Installation: assurez-vous que l'appareil est correctement installé et mis à la terre par un technicien qualifié, conformément à la dernière édition de la norme ANSI/NFPA No. 70 dernière édition du National Electrical Code aux États-Unis, ou de la norme C22.1 de l'ACNOR, code canadien de l'électricité, partie 1, ainsi qu'aux codes de la région.** N'installez la cuisinière que selon les instructions d'installation fournies dans la documentation.

Demandez à votre marchand de vous recommander un technicien qualifié ainsi qu'un centre de réparation autorisé. Sachez comment couper le courant électrique qui alimente le tiroir-réchaud à la boîte de fusibles ou au coupe-circuit en cas d'urgence.

- **Entretien par l'utilisateur: ne réparez pas ou ne remplacez pas des pièces de l'appareil à moins d'une recommandation précise dans ce guide.** Toutes les réparations doivent être faites par un technicien qualifié, afin de réduire les risques de blessure et de dommage à l'appareil.
- **Ne modifiez jamais l'appareil, que ce soit en enlevant des panneaux, protège-fils, plaques de retenue ou toute autre pièce.**

⚠ AVERTISSEMENT

- TOUS LES TIROIR-RÉCHAUDS PEUVENT SE RENVERSER.
- IL PEUT EN RÉULTER DES BLESSURES.
- INSTALLEZ LES PLAQUES DE RETENUE FOURNIES AVEC L'APPAREIL.
- VOYEZ LES INSTRUCTIONS D'INSTALLATION.

⚠ AVERTISSEMENT

POUR RÉDUIRE LE RISQUE DE RENVERSEMENT DU TIROIR-RÉCHAUD, CELUI-CI DOIT ÊTRE CORRECTEMENT FIXÉ PAR DES PLAQUES DE RETENUE, FOURNIES AVEC L'APPAREIL. POUR VÉRIFIER SI CES PLAQUES DE RETENUE SONT CORRECTEMENT INSTALLÉES, PRENEZ ET TIREZ SUR LA POIGNÉE DU TIROIR EN ESSAYANT DE LE FAIRE SORTIR DE L'OUVERTURE. REPORTEZ-VOUS AUX INSTRUCTIONS D'INSTALLATION POUR BIEN SAVOIR COMMENT INSTALLER LES PLAQUES DE RETENUE.

⚠ AVERTISSEMENT Il y a risque de blessures pour les personnes ou de dommages pour le tiroir de monter, de s'appuyer dessus ou de s'asseoir sur la porte ou dans le tiroir. Ne laissez pas les enfants grimper sur le tiroir-réchaud ou jouer autour. Un tiroir ouvert, s'il est chaud, peut causer des brûlures.

- **Rangement dans ou sur l'appareil: ne rangez pas dans le tiroir-réchaud des matériaux inflammables,** ceci comprend les papiers, plastiques, tissus, livres de cuisine, objets en plastique et torchons, ainsi que les liquides inflammables. Ne rangez pas sur ou près du tiroir des produits comme les produits en aérosol, qui risquent d'exploser et d'entraîner un incendie ou des dégâts matériels.
- **Ne laissez pas les enfants seuls: ne les laissez pas seuls ou sans surveillance dans un lieu où un appareil fonctionne.** Ne les laissez jamais s'asseoir ou se tenir debout sur une pièce quelconque de l'appareil.
- **NE TOUCHEZ PAS LES SURFACES INTÉRIEURES DU TIROIR-RÉCHAUD.** Les surfaces peuvent être suffisamment chaudes même si leur couleur est foncée. Pendant et après toute utilisation, ne touchez pas et ne laissez pas les vêtements ou autres produits inflammables venir en contact avec ces zones, à moins qu'elles aient eu le temps de se refroidir.
- **Portez des vêtements appropriés: ne portez jamais de vêtements amples ou flottants en utilisant cet appareil.** Ne laissez pas les matériaux inflammables et les vêtements venir en contact avec des surfaces chaudes.
- **N'utilisez que des mitaines isolantes sèches: des mitaines mouillées ou humides en contact avec des surfaces chaudes peuvent causer des brûlures par la vapeur.** Ne laissez pas les mitaines isolantes toucher les éléments chauds. Ne vous servez pas d'un torchon ni d'un chiffon à la place d'une mitaine.
- **Ne réchauffez pas des contenants non ouverts: l'accumulation de pression peut faire exploser le contenant et causer des blessures.**
- **IMPORTANT: n'essayez pas de faire fonctionner le tiroir-réchaud lors d'une panne de courant. En cas de panne, mettez toujours les commandes du tiroir à arrêt.** Sinon, lorsque le courant reviendra, l'appareil se mettra à fonctionner de nouveau et la nourriture laissée sans surveillance pourrait se gâter.

⚠ AVERTISSEMENT N'utilisez jamais votre appareil pour réchauffer ou chauffer une pièce.

⚠ AVERTISSEMENT Ne vous servez pas du tiroir-réchaud comme espace de rangement.

IMPORTANTES MESURES DE SÉCURITÉ (suite)

INSTRUCTIONS IMPORTANTES POUR L'UTILISATION DU TIROIR-RÉCHAUD

- **Revêtements protecteurs:** n'utilisez pas de papier d'aluminium pour recouvrir l'intérieur du tiroir. Tout autre usage de recouvrement protecteur ou de papier d'aluminium peut causer une baisse de performance ou endommager l'appareil. Utilisez uniquement le papier d'aluminium tel que recommandé pour la cuisson; il sert à recouvrir les aliments.
- **Ustensiles de cuisson en poterie:** seuls certains types d'ustensiles en verre/céramique, céramique, poterie, peuvent être utilisés sans se casser par suite d'un changement brusque de température. Vérifiez les recommandations du fabricant.
- **Soyez prudent en ouvrant le tiroir-réchaud:** tenez-vous sur le côté de l'appareil pour ouvrir la porte d'un tiroir chaud. Laissez la vapeur ou l'air chaud s'échapper avant de placer ou d'enlever la nourriture.
- **Emplacement des grilles du tiroir-réchaud.** Placez toujours les grilles à l'endroit voulu lorsque le tiroir est froid. Si la grille doit être déplacée alors que le tiroir est chaud, soyez extrêmement prudent. Servez-vous de gants isolants et saisissez la grille des deux mains pour la remettre en place. Ne laissez pas les gants entrer en contact avec l'élément ou l'intérieur du tiroir-réchaud. Enlevez tous les ustensiles déposés sur la grille avant de la déplacer.

INSTRUCTIONS DE NETTOYAGE IMPORTANTES

- **Nettoyez régulièrement le tiroir pour que toutes ses pièces soient libres de graisse risquant de s'enflammer.** Maintenez propres les filtres à graisse et les hottes d'évacuation propres. Ne laissez pas la graisse s'y accumuler. Les dépôts de graisse dans le ventilateur pourraient s'enflammer.
- **Produits de nettoyage/produits en aérosol** — Toujours suivre les recommandations du fabricant. Ne pas oublier que tout dépôt laissé par les produits de nettoyage ou les produits en aérosol peuvent s'enflammer et causer des dommages ou des blessures.

CONSERVEZ CES INSTRUCTIONS

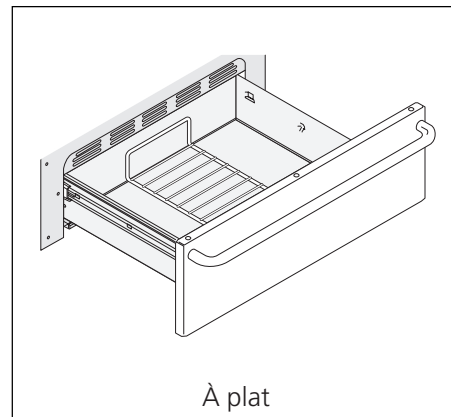
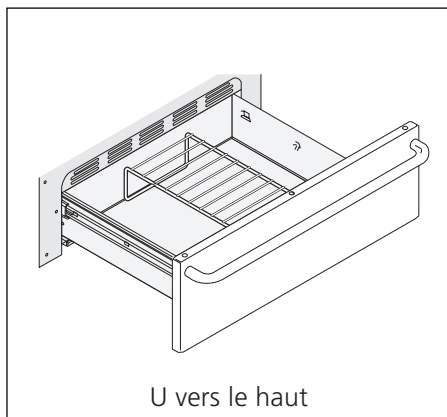
Avant le réglage de la commande du tiroir-réchaud

Disposition de la grille du tiroir-réchaud

Disposez la grille du tiroir-réchaud comme illustré ci-dessous.

La grille peut être utilisée de 2 façons :

- Grille en **U vers le haut** pour permettre de disposer des aliments de moindre dimension sur et sous la grille (par exemple, petits pains ou biscuits sur la grille et casserole en dessous).
- Grille **à plat** sur le fond pour permettre de disposer des aliments de moindre poids et la vaisselle vide (par exemple, petits pains ou pâtisseries et assiettes à dîner).



Réglage de la commande du tiroir-réchaud

Utilisez le tiroir-réchaud pour garder les aliments chauds comme : les légumes, sauces, viandes, casseroles, biscuits et petits pains, pâtisseries et assiettes à dîner chaudes.

Le tiroir-réchaud est équipé d'un loquet qui peut exiger assez d'effort pour ouvrir et fermer le tiroir.

Note: Le bouton montré est typique seulement.

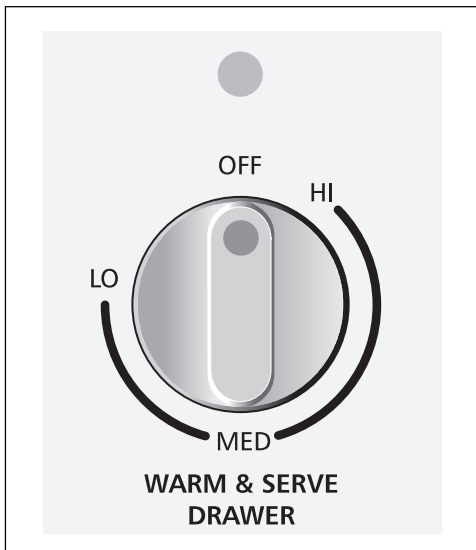


Tableau des réglages recommandés pour le tiroir-réchaud

Aliments	Réglage
Rôtis (Boeuf, Porc, Agneau)	MED
Côtes de porc	HI
Bacon	HI
Hamburger	HI
Volaille	HI
Sauces	MED
Plats en casseroles	MED
Oeufs	MED
Aliments frits	HI
Légumes	MED
Pizza	HI
Biscuits	MED
Petits pains, mous	LO
Petits pains, durs	MED
Pâtisseries	MED
Assiettes à dîner vides	LO
Poisson, fruits de mer	MED
Jambon	MED
Crêpes, gaufres	HI
Tartes	MED
Patates (cuites au four)	HI
Patates en purée	MED

Pour faire fonctionner le tiroir-réchaud

Le tiroir-réchaud a pour fonction de conserver les aliments chauds à la température de service. Commencez toujours avec des mets chauds. Il n'est pas recommandé de chauffer des aliments froids dans le tiroir-réchaud.

Tous les aliments placés dans le tiroir-réchaud doivent être recouverts d'un couvercle ou d'une feuille de papier d'aluminium pour conserver leur humidité et les garder tendres. Ne couvrez pas les aliments croustillants. **N'utilisez pas de plastique pour recouvrir les aliments. Le plastique risque de fondre dans le tiroir et d'être très difficile à nettoyer.**

Utilisez seulement la vaisselle, les ustensiles et plats à cuisiner recommandés pour cuisson au four dans le tiroir-réchaud.

⚠ MISE EN GARDE Utilisez toujours des poignées ou des mitaines pour four pour retirer les aliments du tiroir-réchaud car les ustensiles et plats s'y trouvant sont chauds.

Témoin lumineux

Le témoin lumineux est situé au-dessus de la commande du thermostat. Il s'allume lorsque la commande est réglée et reste allumé jusqu'à ce qu'on l'éteigne. Assurez-vous que le témoin lumineux soit éteint lorsque les aliments sont retirés du tiroir.

Réglage de la commande du thermostat

La commande du thermostat est utilisée pour sélectionner la température du tiroir-réchaud. Elle est située du côté droit du tiroir-réchaud et devient visible en ouvrant le tiroir. Les températures sont approximatives et désignées par HAUT (HI), MOYEN (MED) et BAS (LO). La commande peut être réglée à un de ces réglages ou à tout autre réglage entre ces repères.

1. Pour régler le thermostat, appuyez sur le bouton et tournez-le au réglage désiré.
2. Pour de meilleurs résultats, préchauffez le tiroir avant d'ajouter les aliments. Un tiroir vide atteindra la température du réglage BAS (LO) en 12 minutes environ, le réglage MOYEN (MED) prendra environ 15 minutes alors que le réglage HAUT (HI) atteindra sa température en 18 minutes.
3. Lorsque vous aurez terminé, tournez le bouton de commande thermostat à OFF (ARRÊT).

Sélection de température

Référez-vous au tableau dans la colonne ci-contre pour les réglages recommandés. Si un aliment n'est pas énuméré, commencez par le réglage moyen. Si vous préférez que l'aliment soit plus croustillant, enlever le couvercle ou le papier d'aluminium qui le recouvre.

La plupart des aliments peuvent être conservés aux températures de service en utilisant le réglage moyen.

Lorsqu'une combinaison d'aliments doit être gardée au chaud, utilisez le réglage élevé (HI) (par exemple, de la viande avec 2 légumes et petits pains).

Évitez d'ouvrir le tiroir-réchaud pendant qu'il fonctionne afin d'éliminer la perte de chaleur.

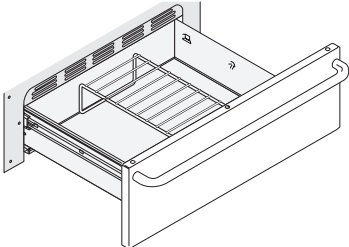
Pour réchauffer les bols et assiettes de service

Réglez le chauffage à BAS (LO) pour réchauffer les bols et assiettes. Placez les plats vides sur la grille pour qu'ils ne touchent pas le fond du tiroir. Vérifiez auprès du fabricant pour déterminer le degré de chaleur que peuvent tolérer les articles en porcelaine.

Nettoyage général

Nettoyage des composantes de l'appareil

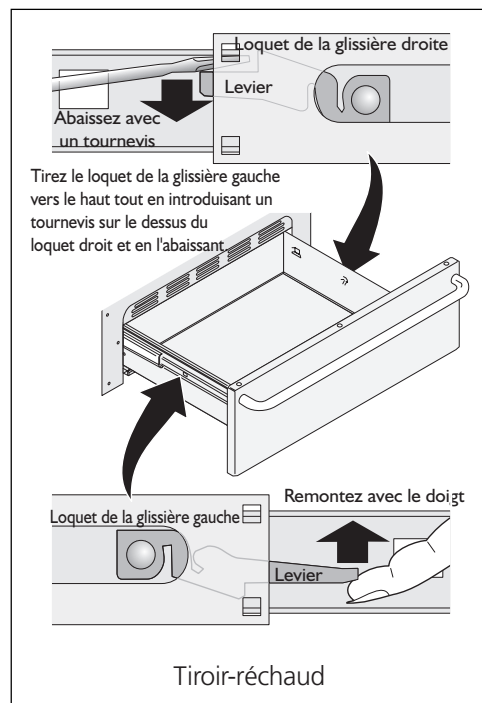
Avant de nettoyer toute composante du tiroir-réchaud, assurez-vous que le bouton de commande est à la position OFF (ARRÊT) et que le tiroir est FROID. NETTOYER LA NOURRITURE RENVERSÉE ET LA SALETÉ EXCÉDENTAIRE LE PLUS RAPIDEMENT POSSIBLE. UN ENTRETIEN RÉGULIER RÉDUIT LA NÉCESSITÉ D'EFFECTUER DES NETTOYAGES MAJEURS PLUS TARD.

Surfaces	Méthodes de nettoyage
Vinyle	Utilisez de l'eau chaude savonneuse et un chiffon. Séchez à l'aide d'un chiffon propre.
Plastique Bouton de commande, panneau de commande	Tournez le bouton de commande à OFF (ARRÊT) avant de le retirer. Serrez-le fermement et tirez-le tout droit hors de l'axe. Nettoyez en suivant les directives qui figurent ci-dessus. Rincez à l'eau claire à l'aide d'un chiffon. Essorez le chiffon avant d'essuyer le panneau (surtout pour essuyer le contour des commandes). Tout excédent d'eau à l'intérieur ou autour des commandes peut endommager l'appareil. Pour replacer le bouton après l'avoir nettoyé, alignez le plat dans la cavité du bouton avec le plat de l'axe et poussez le bouton en place.
Acier inoxydable Porte	Les nettoyeurs conçus spécialement pour l'acier inoxydable sont recommandés. Rincez tout résidu de nettoyeur. NE PAS nettoyer le joint de la porte. Le joint est essentiel à l'étanchéité de la porte. Il faut prendre soin de ne pas frotter, endommager ni retirer le joint.
Émail Revêtement de la porte, pièces du châssis, et l'intérieur de la cavité du tiroir-réchaud	L'utilisation délicate d'un tampon à récurer savonneux permet d'enlever la plupart des taches. Rincez à l'aide d'une solution contenant des parts égales d'eau claire et d'ammoniaque. <i>Au besoin</i> , couvrez les taches tenaces d'un essuie-tout imbibé d'ammoniaque pendant 30 à 40 minutes. Rincez avec de l'eau claire et un chiffon, puis frottez délicatement avec un tampon à récurer savonneux. Rincez et séchez à l'aide d'un chiffon propre. Retirez toute trace de nettoyeur sans quoi l'émail pourrait être endommagé par la chaleur. NE PAS utiliser de nettoyeur en aérosol pour four.
Grille du tiroir-réchaud 	La grille peut être retirée pour être nettoyée. Si vous l'enlevez, nettoyez-la avec un nettoyeur abrasif doux en suivant les instructions du fabricant. Rincez-la à l'eau propre et asséchez-la.

Nettoyage général

(suite)

⚠ AVERTISSEMENT Tournez le bouton de commande du tiroir-réchaud à OFF (ARRÊT) avant de retirer le tiroir. **Ne touchez pas** à l'élément du tiroir-réchaud. L'élément peut être encore chaud et causer des brûlures même s'il est de couleur foncée.



⚠ AVERTISSEMENT

Risque de choc électrique pouvant occasionner de blessures graves ou la mort. Débranchez l'appareil du courant électrique avant d'en faire le service ou avant d'enlever ou de replacer le tiroir-réchaud.

Pour retirer et replacer le tiroir-réchaud

Pour enlever le tiroir-réchaud:

1. Assurez-vous que le tiroir est froid. Ouvrez complètement le tiroir.
2. Localisez les loquets des deux côtés du tiroir-réchaud. Le loquet du côté gauche est visible. Cependant le loquet de droite ne l'est pas, car il est situé à l'intérieur des glissières du tiroir.
3. Tirez vers le haut le loquet de la glissière gauche tout en introduisant un tournevis sur le dessus du loquet droit. Abaissez-le tout en dégageant le tiroir de la cuisinière.
4. Pour nettoyer le tiroir-réchaud, voir "Émail vitrifié" dans le tableau de nettoyage à la page 34.

Pour replacer le tiroir-réchaud :

1. Alignez les loquets des glissières des deux côtés du tiroir avec les supports sur le tiroir.
2. Poussez le tiroir dans la cuisinière.

Liste de contrôle anti-panne

Avant d'appeler le service d'entretien, réviser cette liste. Vous sauverez probablement du temps et de l'argent. La liste contient les incidents courants qui ne résultent pas de défauts dans le matériel ou de vice de fabrication de cet appareil.

INCIDENT

CAUSE POSSIBLE ET SOLUTION

Le tiroir-réchaud n'est pas à niveau.

Mauvaise installation. Déposez un niveau à bulle sur le plancher du découpage du tiroir-réchaud. Vérifiez si le fond du découpage est de niveau.

Assurez-vous que le plancher du découpage est solide et capable de supporter adéquatement le tiroir-réchaud (en plus du four encastré si applicable).

On ne peut pas déplacer l'appareil facilement. L'appareil doit être accessible pour l'entretien.

Les armoires ne sont pas d'équerre ou le découpage est trop petit. Communiquez avec le constructeur ou l'installateur afin de rendre l'appareil accessible.

Rien ne fonctionne.

Assurez-vous que le cordon d'alimentation est correctement raccordé.

Le branchement n'est pas achevé. Communiquez avec votre détaillant, l'installateur ou l'agent de service autorisé.

Panne de courant. Vérifiez les lumières de la maison pour être sûr qu'il s'agit bien d'une panne. Communiquez avec votre fournisseur d'électricité pour rétablir le service.

INSTRUCTIONS D'INSTALLATION POUR LE TIROIR-RÉCHAUD

L'INSTALLATION ET L'ENTRETIEN DOIVENT ÊTRE EFFECTUÉS PAR UN INSTALLATEUR COMPÉTENT. IMPORTANT : CONSERVEZ CES INSTRUCTIONS POUR L'INSPECTEUR D'ÉLECTRICITÉ LOCAL. LISEZ ET CONSERVEZ CES INSTRUCTIONS POUR RÉFÉRENCES ULTÉRIEURES.

⚠ AVERTISSEMENT POUR VOTRE SÉCURITÉ: N'entrez pas d'essence ou autres gaz et liquides inflammables à proximité de cet appareil ou de tout autre appareil ménager.

RENSEIGNEMENTS GÉNÉRAUX

Ce tiroir-réchaud peut être utilisé comme:

- Appareil autonome
- Tiroir-réchaud combiné à un four encastré de 30" (76 cm) superposé

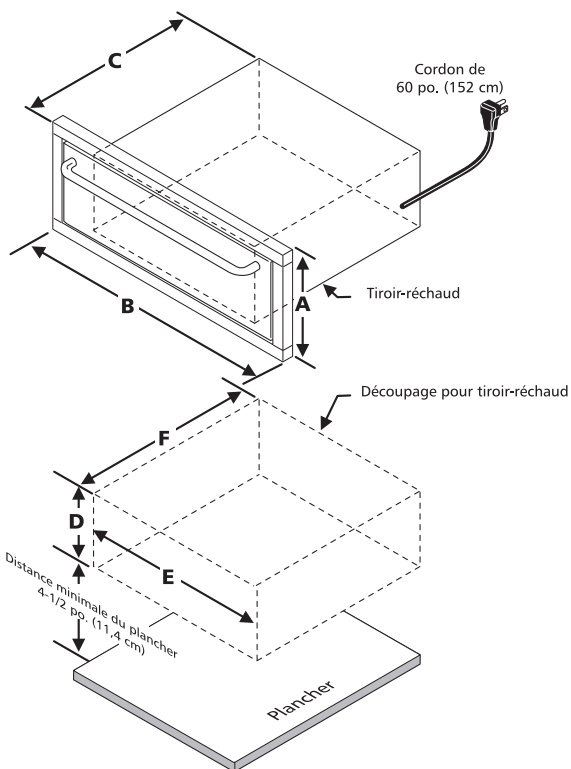
IMPORTANT: Le tiroir-réchaud doit être installé sur une surface de niveau, de gauche à droite et de l'arrière à l'avant.

Dimensions du tiroir-réchaud

NOTA: Un câble de 60" (152 cm) est fourni avec le tiroir-réchaud.

IMPORTANT: Le tiroir-réchaud fonctionne seulement avec un circuit électrique mis à la terre à 3 fils de 120 volts, monophasé, 60 Hz CA.

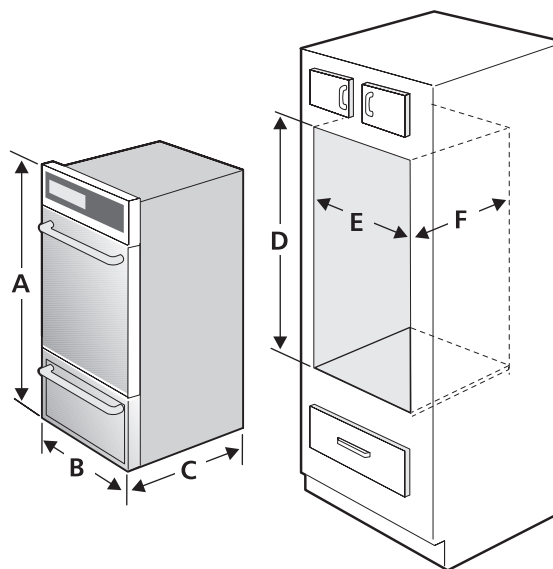
Installation pour appareil autonome



A. HAUTEUR	B. LARGEUR	C. PROFONDEUR
9 7/8" (25 cm)	30" (76,2 cm)	24 5/8" (62,5 cm)

	D. HAUTEUR DU DÉCOUPAGE	E. LARGEUR DU DÉCOUPAGE	F. PROFONDEUR DU DÉCOUPAGE
Min.	8 3/8" (21,3 cm)	28 1/2" (72,4 cm)	24" (61 cm)
Max.	8 5/8" (21,9 cm)	28 3/4" (73 cm)	

Combiné tiroir-réchaud/ four encastré de 30" (76 cm)



A. HAUTEUR	B. LARGEUR	C. PROFONDEUR
40" (101,5 cm)	30" (76,2 cm)	24 5/8" (62,5 cm)

	D. HAUTEUR DU DÉCOUPAGE	E. LARGEUR DU DÉCOUPAGE	F. PROFONDEUR DU DÉCOUPAGE
Min.	38 1/2" (97,8 cm)	28 1/2" (72,4 cm)	24" (61 cm)
Max.	39" (99,1 cm)	28 3/4" (73 cm)	

INSTRUCTIONS D'INSTALLATION POUR LE TIROIR-RÉCHAUD

Notes importantes à l'installateur

1. Lisez toutes les instructions d'installation avant de procéder à l'installation de cet appareil.
2. Retirez tout le matériel d'emballage de l'appareil avant de brancher l'alimentation électrique.
3. Observez tous les règlements et codes locaux applicables.
4. Assurez-vous de laisser ces instructions à l'utilisateur.

Note importante à l'utilisateur

Conservez ces instructions pour références ultérieures.

INSTRUCTIONS DE SÉCURITÉ IMPORTANTES

- **Assurez-vous que votre appareil est installé et raccordé à une prise murale de 120 volts mise à la terre.**
- **Cet appareil doit être mis à la terre conformément au code d'électricité national ANSI/NFPA No. 70, dernière édition, aux États-Unis, ou à l'ACNOR C22.1, partie 1 au Canada, et aux codes et règlements locaux.**

Outils nécessaires

Tournevis Phillips
Crayon
Règle ou ruban à mesurer et équerre
Scie à main ou scie sauteuse
Niveau à bulle

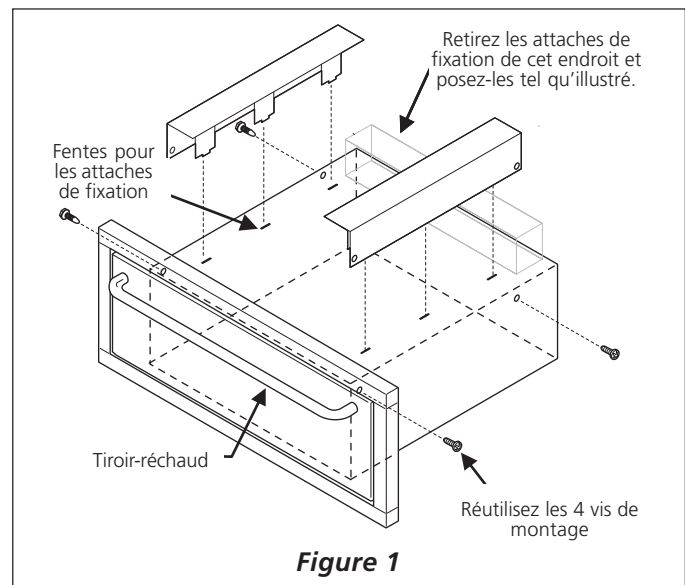
Installation d'un tiroir-réchaud

1. Retirez les 2 attaches de fixation fixées avec 2 vis au haut du tiroir (voir Figure 1). Jetez ces 2 vis. Ces attaches ne sont requises que si le tiroir doit être combiné à un four encastré de 30" (76 cm) superposé.

Allez à l'étape 2 si le tiroir-réchaud est installé sous un four encastré électrique de 30" (76 cm).

S'il s'agit de l'installation autonome d'un tiroir-réchaud, jetez les attaches de fixation et passez à l'étape 3.

2. Insérez les attaches de fixation dans les fentes au haut du tiroir-réchaud. Utilisez les 4 vis retirées des côtés du tiroir pour fixer les attaches au châssis (voir Figure 1).



INSTRUCTIONS D'INSTALLATION POUR LE TIROIR-RÉCHAUD

NOTA: Pour une installation autonome du tiroir-réchaud, la base du découpage doit pouvoir supporter un poids de 100 lbs (45 kg). Pour un combiné tiroir-réchaud et four encastré, la base doit pouvoir supporter un poids de 250 lbs (114 kg).

3. Retirez les 2 plaques de retenue et les 6 vis incluses dans l'enveloppe littérature. Montez les plaques de chaque côté de l'ouverture de l'armoire, à l'intérieur du découpage, tel qu'illustré à la Figure 2. Le trou central doit être à 7-5/8" (19.4 cm) de la partie inférieure du découpage pour pouvoir s'aligner avec les trous dans le châssis du tiroir. Utilisez 2 vis noires pour fixer chaque plaque de retenue à

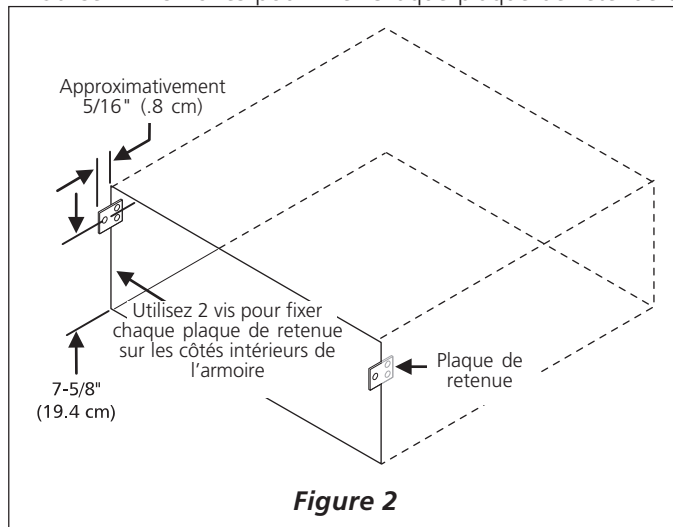


Figure 2

l'armoire.

4. Glissez le tiroir dans l'ouverture du découpage jusqu'à ce que son cadre soit tout contre l'armoire. Veillez à ne pas coincer le cordon électrique.
5. Ouvrez le tiroir et fixez le châssis aux plaques à l'aide des 2 vis plaquées au nickel fournies. Engagez les vis de l'intérieur du tiroir vers le trou au centre de chaque plaque (voir Figure 3). **Ne serrez pas les vis outre mesure.**

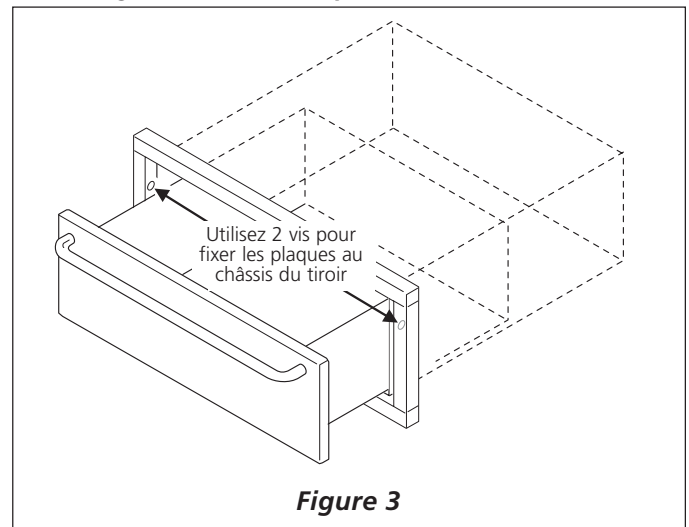


Figure 3

6. Le cordon d'alimentation de l'appareil de 60" (152 cm) peut à présent être branché à la prise murale de 120 volts.
- 7 Procédez maintenant au montage du four encastré superposé au tiroir-réchaud (s'il y a lieu). Suivez les instructions d'installation fournies avec le four encastré. Assurez-vous d'utiliser les crochets anti-basculés fournis avec le four.

NOTA: Utilisez un morceau de cartonnage en guise de protection du tiroir-réchaud qui pourrait être égratigné lors de l'installation du four encastré superposé.

FRIGIDAIRE Gallery

GARANTIE *(pour le Canada)* **TIROIR-RÉCHAUD**

GARANT:

FRIGIDAIRE HOME PRODUCTS
7075 Ordan Drive
Mississauga, Ontario
L5T 1K6

Ce tiroir-réchaud est un produit qui porte l'une des marques de Frigidaire Home Products.

Pour obtenir le service prévu par cette garantie, communiquez avec votre détaillant, un dépositaire de service autorisé par FRIGIDAIRE - PIÈCES ET SERVICE, ou:

FRIGIDAIRE - PIÈCES ET SERVICE

7075 Ordan Drive
Mississauga, Ontario L5T 1K6
Tél.: (905) 565-9200
Fax: (905) 565-0937

DURÉE DE LA GARANTIE:

La première et la deuxième année suivant la date d'achat par le propriétaire initial.

La troisième année à la cinquième année suivant la date de l'achat par le propriétaire initial.

LE GARANT, PAR L'ENTREMISE DE SON DÉPOSITAIRE DE SERVICE AUTORISÉ:

Réparera ou remplacera gratuitement toutes les pièces défectueuses.

Réparera ou remplacera gratuitement (excluant les frais de main-d'oeuvre pour le service et l'installation) l'élément chauffant défectueux.

LA GARANTIE S'APPLIQUE:

- a) Aux produits achetés et installés au Canada, pour l'usage personnel d'une seule famille.
- b) Aux défauts dûs ou consécutifs à la fabrication.
- c) Aux produits portant un numéro de modèle et un numéro de série du fabricant, lisibles.
- d) Aux pièces de rechange seulement pendant la durée de la garantie initiale qui reste à courir.

LA GARANTIE NE S'APPLIQUE PAS:

- a) Aux dommages causés par le transport.
- b) À la fourniture ni au remplacement des pièces en porcelaine.
- c) Aux pièces ni au service fournis ou obtenus par d'autres que FRIGIDAIRE - PIÈCES ET SERVICE ou un dépositaire de service autorisé par FRIGIDAIRE - PIÈCES ET SERVICE.
- d) Aux dommages ni aux défaillances résultant d'un usage abusif, incorrect ou commercial.

RESPONSABILITÉ DU CONSOMMATEUR/PROPRIÉTAIRE:

- a) Fournir la preuve de la date originale de l'achat au moyen d'une facture faisant état de la date d'achat.
- b) Payer tous les frais nécessaires pour que l'appareil soit accessible aux fins de réparation.
- c) Assurer une alimentation électrique adéquate et un raccordement électrique bien fait à celui-ci.
- d) L'installation adéquate, le réglage exact des commandes et l'entretien du revêtement.

Cette garantie est en sus de toute garantie légale contenue dans toute législation applicable. Les conditions de cette garantie ne sont pas destinées à exclure ou à limiter vos droits en vertu de ces lois. Le garant se réserve toutefois le droit de facturer les frais de transport et de déplacement, lorsque la distance est supérieure à 48 kilomètres (30 milles) du dépositaire de Service autorisé par FRIGIDAIRE - PIÈCES ET SERVICE le plus proche.

Cette garantie, plus les garanties légales déjà mentionnées, sont les seules garanties fournies au consommateur/propriétaire pour ce produit.

Cajón Calentador

 FRIGIDAIRE
Gallery

y

 FRIGIDAIRE
Gallery
Professional
S e r i e s

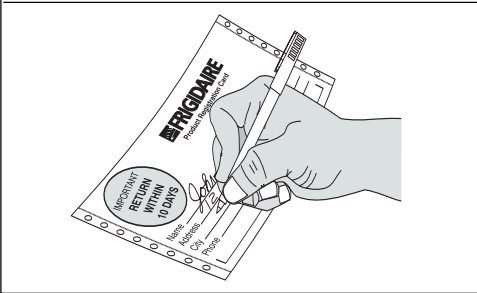
M a n u a l
del Usuario

el *ASPECTO* del mejor rendimiento

Inscripción del producto

Inscriba su producto

Hay que llenar completamente y firmar la **TARJETA DE INSCRIPCIÓN DEL PRODUCTO** y enviarla a la Compañía Frigidaire.



Este Manual del usuario contiene instrucciones generales acerca del funcionamiento de su cajón calentador.

Nota: Las instrucciones que aparecen en el Manual del usuario no cubren todas las posibles condiciones y situaciones que puedan ocurrir. Hay que obrar con sentido común y con precaución cuando se instala, se maneja y se da mantenimiento a cualquier aparato electrodoméstico.

Gracias por haber seleccionado este aparato electrodoméstico. La información que se encuentra en este **Manual del usuario** le enseñará cómo hacer funcionar y cuidar su cajón calentador adecuadamente. Por favor lea la información contenida en la literatura adjunta para tener mayor conocimiento de su nuevo aparato.

Registre su modelo y número de serie

En el espacio siguiente registre el modelo y el número de serie que se encuentran en el lado derecho del marco del cajón.

Número de modelo: _____

Número de serie: _____

Fecha de compra: _____

Contenido

Inscripción del producto	16
Instrucciones importantes sobre la seguridad	17-18
Antes de ajustar el control del cajón calentador	19
Reglaje del control del cajón calentador	20
Limpieza general	21-22
Lista para evitar las llamadas de servicio	23
Instrucciones de instalación	24-26
Garantía (en los Estados Unidos)	27

INSTRUCCIONES IMPORTANTES SOBRE LA SEGURIDAD

**Lea todas las instrucciones antes de usar este aparato.
Guarde estas instrucciones para consulta futura.**

Este manual contiene símbolos e instrucciones importantes sobre la seguridad. Enseguida, se da una breve explicación sobre el uso de estos símbolos. Por favor preste atención especial a estos símbolos y siga todas las instrucciones. Esta es una explicación breve del uso de estos símbolos.

⚠️ ADVERTENCIA Este símbolo alerta acerca de situaciones que pueden provocar serios daños corporales, muerte o daños materiales.

⚠️ PRECAUCION Este símbolo alerta acerca de situaciones que pueden provocar daños corporales o materiales.

- **Quite todas las cintas y todo el embalaje antes de usar el cajón calentador. Después de haberla desempacado destruya todo cartón de embalaje y las bolsas plásticas.** Nunca permita que los niños jueguen con el material de embalaje.
- **Instalación correcta—Asegúrese de que un técnico calificado instale y ponga a tierra su aparato correctamente y de acuerdo con la última edición del Código Nacional de Electricidad ANSI/ NFPA No. 70, o en Canadá, el CSA Norma C22.1, Canadian Electrical CODE Part1, así como de acuerdo con los requisitos de los códigos locales.** Instale su aparato solamente de acuerdo a las instrucciones impartidas en este manual.

Pídale a su proveedor que le recomiende un técnico calificado, así como un servicio de reparación autorizado. Para los casos de emergencia, aprenda a desconectar el suministro eléctrico de su cajón calentador, ya sea sirviéndose del interruptor de circuito o de la caja de fusibles.

- **Servicio por parte del usuario—No repare ni reemplace ninguna parte del aparato a menos que los manuales así lo recomienden.** Solamente un técnico calificado puede ocuparse de todos los demás servicios; así se reducirá el riesgo de lesiones personales y de daños a el aparato.
- **Nunca modifique ni altere la construcción de un cajón calentador quitándole los paneles, los platinas de seguridad, ni cualquier parte del producto.**

⚠️ ADVERTENCIA

- TODOS LOS CAJONES CALENTADORES PUEDEN VOLCARSE.
- ESTO PODRIA RESULTAR EN LESIONES PERSONALES.
- INSTALE EL DISPOSITIVO ANTIVUELCOS QUE SE HA EMPACADO JUNTO CON ESTE CAJÓN CALENTADOR.
- LEA LAS INSTRUCCIONES DE INSTALACION.

⚠️ ADVERTENCIA PARA REDUCIR EL RIESGO DE QUE SE VUELQUE EL CAJÓN CALENTADOR, HAY QUE ASEGURARLO ADECUADAMENTE COLOCANDOLE LOS PLATINAS DE SEGURIDAD ANTI-VUELCO QUE SE PROPORCIONAN. PARA COMPROBAR SI ESTOS ESTAN INSTALADOS Y EN SU LUGAR COMO SE DEBE, TOMA EL CAJÓN POR SU MANIJA Y TRATE DE TIRARLO DE SU ABERTURA. SIGA LAS INSTRUCCIONES DE INSTALACION QUE SE DAN AL RESPECTO.

⚠️ ADVERTENCIA **Escalar, apoyarse o sentarse sobre la puerta o cajón puede provocar lesiones de consideración y también puede dañarse el aparato.** No permita que los niños se trepen sobre el cajón calentador o jueguen a su alrededor. Un cajón abierto, cuando caliente, puede causar quemaduras.

- **Almacenamiento dentro o sobre el aparato—No deben almacenarse materiales quemables en el cajón calentador.** Esto incluye artículos de papel, plástico y de tela, tales como libros de cocina, utensilios de plástico y toallas, así como líquidos quemables. No almacene explosivos, tales como latas de aerosol, cerca o encima del cajón calentador. Los materiales quemables pueden explotar y causar incendios o daños a la propiedad.
- **No deje a los niños solos. Nunca hay que dejar a los niños solos o desatendidos en el sitio en el que se está usando un aparato.** Nunca les permita sentarse o pararse en ninguna parte de un aparato.
- **NO TOQUE LAS SUPERFICIES INTERIORES DEL CAJÓN CALENTADOR.** Las áreas cercanas pueden calentarse lo suficiente como para causar quemaduras. Durante y después de su uso, no toque, ni permita que ningún tipo de tela o material quemable toquen estas áreas hasta que hayan tenido el tiempo necesario de enfriarse.
- **Póngase ropa adecuada—Nunca lleve puesta ropa suelta o prendas que cuelguen mientras esté usando el cajón calentador.** No deje que su ropa ni otros materiales quemables entren en contacto con superficies calientes.
- **Use solamente manoplas o agarraderas secas—Cuando se las pone sobre superficies calientes, las manoplas, o las agarraderas húmedas o mojadas, pueden causar quemaduras resultantes del vapor.** No deje que dichos protectores toquen los quemadores calientes ni las resistencias interiores del cajón calentador. Al asir utensilios calientes, no use toallas ni artículos de tela gruesos en lugar de una manopla o una agarradera.
- **No caliente envases de comida sin antes abrirlos—La presión resultante podría causar el estallido del envase y provocar lesiones.**
- **IMPORTANTE—No intente usar su cajón calentador cuando haya ocurrido una falla eléctrica. Si la corriente eléctrica falla, apague el aparato.** Si no se ha apagado el aparato y luego vuelve la corriente, el aparato comenzará a funcionar de nuevo. Entonces, la comida que se había dejado a calentar podría quemarse o echarse a perder.

⚠️ ADVERTENCIA **No se use el horno para almacenamiento de objetos.**

⚠️ ADVERTENCIA **Nunca use su aparato para mantener un cuarto caliente ni para calentarlo.**

INSTRUCCIONES IMPORTANTES SOBRE LA SEGURIDAD (continúa)

INSTRUCCIONES IMPORTANTES PARA EL USO SU CAJÓN CALENTADOR

- **Revestimientos de protección**—No use hojas de aluminio para proteger el aparato. Solamente use hojas de aluminio como se recomienda para cocer, para cubrir el alimento. Otros usos de revestimientos protectores o hojas de aluminio puede resultar en el riesgo de choque eléctrico o incendio.
- **Utensilios de cocina vidriados**—Solamente ciertos tipos de vidrio, vitrocerámica, cerámica, barro y otros utensilios vidriados se pueden utilizar sin romperse a causa de cambios de temperatura súbitos. Vea las recomendaciones del fabricante.
- **Tenga cuidado cuando abre el cajón calentador**—Manténgase a un lado de el aparato cuando abre la puerta de un cajón calentador caliente. Deje que el aire caliente o el vapor escape antes de retirar comida del cajón calentador o al volver a meterla.
- **Colocación de las parrillas del cajón calentador.** Coloque siempre la parrilla en el sitio deseado, cuando esté frío. Si hay que mover las parrillas cuando el cajón calentador está caliente, hágalo con extrema precaución. Use manoplas o agarraderas, y tome la parrilla con ambas manos para colocarla donde desee. No deje que las agarraderas hagan contacto con la llama del quemador caliente o el interior de éste. Saque todos los utensilios de la parrilla antes de retirarla.

INSTRUCCIONES IMPORTANTES PARA LA LIMPIEZA DE SU CAJÓN CALENTADOR

- **Limpe el cajón calentador regularmente para mantener todas sus partes libres de grasa y evitar que se enciendan.** No permita que la grasa se acumule. La grasa que se deposita en el ventilador puede encenderse.
- **Limpiadores y aerosoles**—Observe siempre las instrucciones de uso que recomiendan los fabricantes. Tome en cuenta el hecho que el exceso de residuos de limpiadores y aerosoles podría encenderse, lo cual a su vez podría provocar daños y/o lesiones.

GUARDE ESTAS INSTRUCCIONES

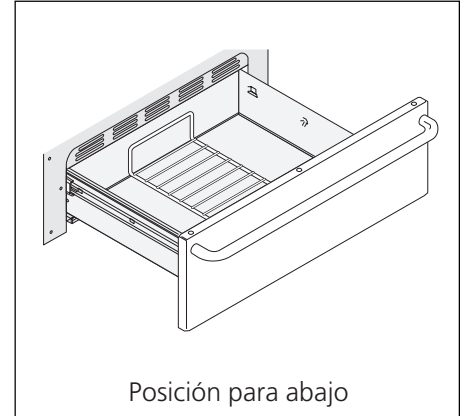
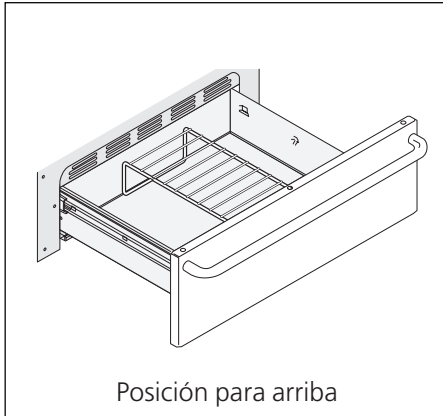
Antes de ajustar el control del cajón calentador

Colocación de la parrilla del cajón calentador

Ponga la parrilla del cajón calentador en la posición vertical como se muestra abajo.

La parrilla se puede usar de dos maneras:

- En la **posición para arriba** para permitir la colocación de comidas pequeñas por debajo o por encima de la parrilla (por ejemplo, los panecillos o los bisquets por encima de la parrilla y un plato en cacerola por debajo).
- En la **posición para abajo** para permitir la colocación de comidas ligeras y la vajilla vacía (por ejemplo, los panecillos, los bollos y los platos).



Reglaje del control del cajón calentador

Use el cajón calentador para mantener calientes las comidas tales como: los vegetales, las salsas, las carnes, guisados, bisquets y panecillos, bollos y platos de comida.

El cajón calentador está equipado con un picaporte que puede requerir un esfuerzo extra al abrir y cerrar el cajón.

Nota: Botón de control típico ilustrado solamente.

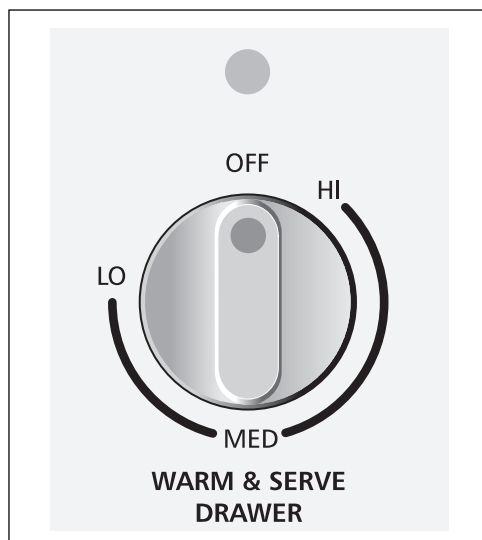


Diagrama de reglajes recomendados para la comida en el cajón calentador

Comida	Reglaje
Asados (carne de vaca, cerdo, cordero)	MED
Chuletas de cerdo	HI
Tocino	HI
Hamburguesas	HI
Pollo	HI
Salsas	MED
Guisados	MED
Huevos	MED
Comidas Fritas	HI
Vegetales	MED
Pizza	HI
Bisquets	MED
Panecillos, blandos	LO
Panecillos, duros	MED
Bollos	MED
Platos vacíos	LO
Pescado, mariscos	MED
Jamón	MED
Torta delgada, barquillo plano	HI
Pastel	MED
Patata (asada)	HI
Patata (cremada)	MED

Para operar el cajón calentador

El propósito del cajón calentador es mantener las comidas cocinadas calientes a una temperatura para servir. Siempre comience con comida caliente. No se recomienda calentar la comida fría en el cajón calentador.

Toda la comida que se mete en el cajón calentador debe estar cubierta por una tapa o con papel de aluminio para mantener la humedad y el blandamiento. No cubra la comida crespas. **No utilice envolturas de plástico para cubrir la comida. El plástico puede derretirse en el cajón y dificultar la limpieza.**

Utilice en el cajón calentador solamente vajilla y utensilios de cocina recomendados para uso en el horno.

PRECAUCIÓN Siempre utilice cogedores de hojas y guantes para el horno cuando se saca la comida del cajón calentador ya que los utensilios y los platos estarán calientes.

Luz Indicadora

La luz indicadora se encuentra arriba del control del termostato. Se enciende cuando el control está puesto, y sigue encendida hasta que se apague el control. La luz indicadora no se encenderá durante el ciclo de autolimpieza.

Como reglar el control del termostato

El control del termostato se usa para seleccionar la temperatura del cajón calentador. Está ubicado en el lado derecho del interior del cajón calentador, cuando el cajón está abierto. Las temperaturas son aproximados y se designan por Alto (HI), Medio (MED) y Bajo (LO). Se puede colocar el control en cualquier de los tres ajustes, o a cualquier posición entre ellos.

1. Para reglar el termostato, oprima y gire la perilla al reglaje deseado.
2. Para los resultados mejores, precaliente el cajón antes de meter la comida. Un cajón vacío se calentará al ajuste LO en aproximadamente 12 minutos, al ajuste MED en aproximadamente 15 minutos, y el ajuste HI en aproximadamente 18 minutos.
3. Cuando se ha terminado, gire el control de temperatura a OFF.

Selección de temperatura

Consulte el diagrama en la columna al lado para los reglajes recomendados. Si una comida no consta en la lista, comience con el reglaje medio. Si se desea una textura más tostada, quite la tapa o el papel de aluminio.

La mayoría de las comidas pueden mantenerse a la temperatura para servir usando el reglaje medio.

Cuando una combinación de comidas se han de mantener calientes (por ejemplo, una carne con 2 vegetales y panecillos), utilice el reglaje HI.

No abra el cajón calentador sin necesidad mientras está en función para eliminar la pérdida de calor del cajón.

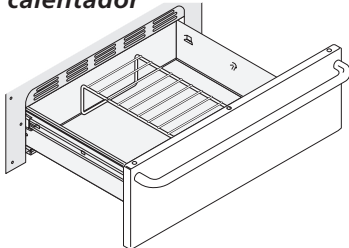
Para calentar platos y escudillas vacíos para servir

Utilice el ajuste LO para calentar los platos y escudillas vacíos antes de servir la comida. Ponga los platos vacíos en la parrilla del cajón para que no se queden en contacto con el fondo del cajón. Para calentar los platos o la porcelana delicada, consulte con el fabricante para saber su tolerancia de calor máxima.

Limpieza general

Limpieza de diversas partes del aparato

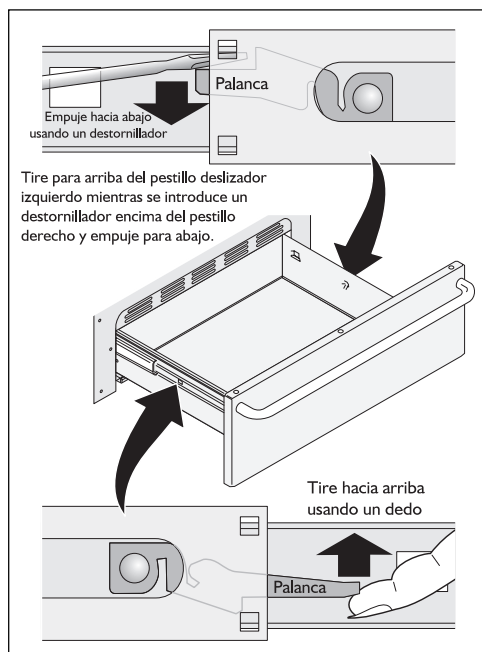
Antes de limpiar cualquier parte de su cajón calentador, asegúrese de que todos el control se encuentren en la posición OFF (apagado) y el cajón calentador esté FRÍO. QUITE LOS DERRAMES Y TODA SUCIEDAD TAN PRONTO COMO SEA POSIBLE. LA LIMPIEZA FRECUENTE REDUCIRA LA NECESIDAD DE HACER NUMEROSAS LIMPIEZAS A FONDO EN EL FUTURO.

Superficies	Cómo limpiarlas
Vinilo	Use agua caliente jabonosa y un paño. Seque con un paño limpio.
Plástico Perilla de control, panel de control	Para quitar las perillas de control, ponga todos el control en OFF ; quítelas tirando de cada una directamente hacia afuera de la espiga. Limpie usando agua caliente jabonosa y un paño. Enjuague con agua limpia y un paño. Asegúrese de exprimir el exceso de agua del paño antes de limpiar el panel; especialmente cuando se limpia alrededor de los controles. El exceso de agua alrededor de los controles puede dañar el aparato. Para reinstalar la perilla después de limpiar, haga coincidir el lado plano del interior de la perilla con el de la espiga. Luego, meta la perilla a presión en su lugar.
Acero inoxidable Puerta	Se recomienda limpiadores fabricados especialmente para la limpieza de acero inoxidable. Siempre siga las instrucciones del fabricante. Asegúrese de que enjuague bien para quitar los limpiadores. NO limpie la junta de la puerta. La junta de la puerta está hecho de un material tejido que es esencial para un sello bueno. Tenga cuidado de no refregar, dañar ni quitar la junta.
Porcelana esmaltada Revestimiento de la puerta, piezas de la unidad y el interior del cajón	Si se restriegan suavemente con una almohadilla enjabonada, se quitará la mayoría de las manchas. Enjuague con una solución que contenga partes iguales de agua limpia y amoníaco. De ser necesario, cubra las manchas difíciles con una toalla de papel empapada en amoníaco, déjela durante 30 a 40 minutos. Enjuague con agua limpia y un paño húmedo, y luego restriegue con una almohadilla rellena de jabón. Enjuague y seque con un paño limpio. Quite todo el limpiador porque la porcelana podría dañarse la próxima vez que se caliente. NO deben usarse rociadores para hornos.
Parrilla del cajón calentador 	Se puede quitar la parrilla para la limpieza. Use un limpiador abrasivo suave para lavarla, siguiendo las instrucciones del fabricante. Enjuague con agua limpia y seque.

Limpieza general

(continúa)

⚠ ADVERTENCIA Gire la perilla de control del cajón calentador hacia OFF antes de sacar el cajón. **NO** toque el elemento del cajón calentador. Es posible que el elemento esté bastante caliente para causar quemaduras, aún si no lo aparece.



⚠ ADVERTENCIA Peligro de choque eléctrico puede ocurrir y resultar en daños serios o la muerte.

Desconecte el electrodoméstico de la fuente de alimentación antes de limpiar y reparar el cajón calentador.

Para quitar y reponer el cajón calentador

Para quitar el cajón calentador:

1. Asegúrese de que el cajón esté FRÍO. Abra el cajón a la posición de abertura completa.
2. Localice los pestillos en cada lado del cajón calentador. El pestillo izquierdo es visible. Sin embargo el de la derecha no lo es y está ubicado dentro de los raíles deslizadores del cajón.
3. Tire para arriba del pestillo deslizador izquierdo mientras se introduce un destornillador por encima del pestillo derecho empujando para abajo, mientras se quita el cajón.
4. Para limpiar el cajón, véase el diagrama de limpieza en la página 21.

Para volver a poner el cajón calentador:

1. Alinee los pestillos de los raíles en ambos lados del cajón con las ranuras en el cajón.
2. Empuje el cajón hasta que se quede en posición.

Lista para evitar las llamadas de servicio

Antes de llamar al servicio, examine esta lista. Puede ahorrarle tiempo y dinero. En la lista se incluyen incidentes comunes que no son el resultado de fabricación o materiales defectuosos en el aparato electrodoméstico.

PROBLEMA

POSIBLE CAUSA/SOLUCION

El cajón calentador no está nivelada.

Mala instalación. Ponga un nivel en la base de la abertura. Asegúrese de que la base está nivelada.

Asegúrese de que la base de la abertura es bastante fuerte y estable para soportar el cajón calentador (y un horno entegrado, si hay uno).

No se puede mover el aparato fácilmente. Debe tenerse acceso al cajón calentador para darle servicio.

Los armarios no están bien a escuadra o quedaron muy apretados. Llamar a un ebanista para corregir el problema.

El aparato no funciona en absoluto.

Asegúrese de que el cordón eléctrico/enchufe esté enchufado correctamente en su tomacorriente.

La instalación eléctrica no está completa. Llame a su representante o agente de servicio autorizado.

Falla de corriente. Verifique si se pueden encender las luces de la casa. Llame a la compañía de servicio eléctrico local.

INSTRUCCIONES DE INSTALACIÓN PARA EL CAJÓN CALENTADOR

LA INSTALACIÓN Y EL SERVICIO DEBEN SER EJECUTADOS POR UN INSTALADOR CALIFICADO. IMPORTANTE: GUARDE ESTAS INSTRUCCIONES PARA EL USO DEL INSPECTOR LOCAL DE ELECTRICIDAD. LEA Y GUARDE ESTAS INSTRUCCIONES PARA FUTURAS REFERENCIAS.

⚠ ADVERTENCIA PARA SU SEGURIDAD: No almacene o use gasolina u otros vapores y líquidos combustibles cerca a éste o a cualquier otro electrodoméstico.

INFORMACIÓN GENERAL

El cajón calentador puede ser usado:

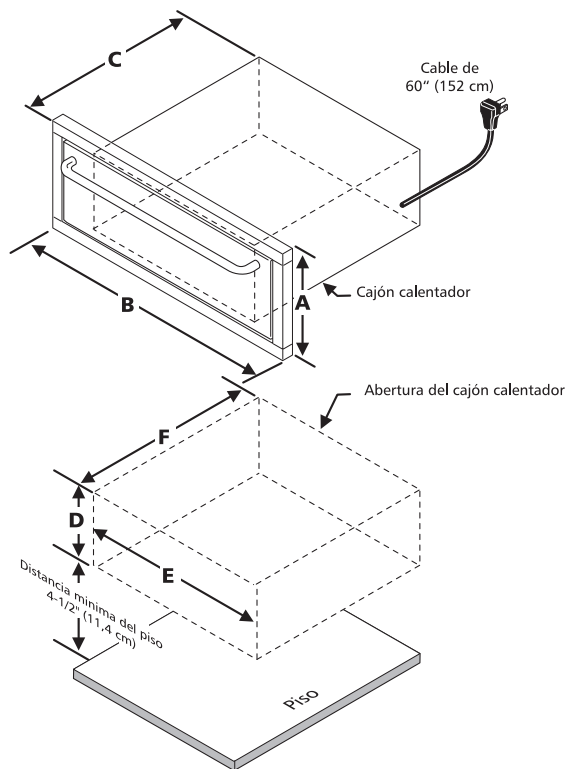
- Como unidad independiente
- En una combinación entre el cajón calentador y el horno de 30 (76 cm) pulgadas integrado y montado por encima del cajón

IMPORTANTE: El cajón calentador debe de estar instalado con una superficie llana, de la izquierda a la derecha, de la parte de atrás al frente.

Dimensiones del cajón calentador

NOTA: Un cable de 60" (152 cm) de largo es suministrado con el cajón calentador.

Instalación de la unidad independiente

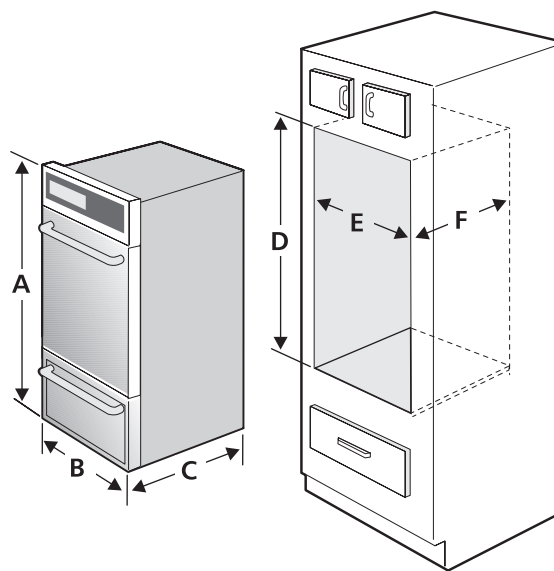


A. ALTO	B. ANCHO	C. LARGO
9 7/8" (25 cm)	30" (76,2 cm)	24 5/8" (62,5 cm)

	D. ALTURA DE LA ABERTURA	E. ANCHODE LA ABERTURA	F. LARGODE LA ABERTURA
Mín.	8 3/8" (21,3 cm)	28 1/2" (72,4 cm)	24" (61 cm)
Máx.	8 5/8" (21,9 cm)	28 3/4" (73 cm)	

IMPORTANTE: El cajón calentador funciona con un suministro de energía eléctrica de corriente alterna, de tres cables, de una sola fase, de 120 voltios, 60 hertz con línea a tierra.

Instalación de la combinación cajón calentador y horno de 30" (76 cm) integrado



A. ALTO	B. ANCHO	C. LARGO
40" (101,5 cm)	30" (76,2 cm)	24 5/8" (62,5 cm)

	D. ALTURA DE LA ABERTURA	E. ANCHODE LA ABERTURA	F. LARGODE LA ABERTURA
Mín.	38 1/2" (97,8 cm)	28 1/2" (72,4 cm)	24" (61 cm)
Máx.	39" (99,1 cm)	28 3/4" (73 cm)	

INSTRUCCIONES DE INSTALACIÓN PARA EL CAJÓN CALENTADOR

Notas importantes para el instalador

1. Lea todas las instrucciones de instalación antes de instalar el electrodoméstico.
2. Retire todos los materiales de empaque del electrodoméstico antes de conectar la fuente de energía.
3. Observe todos los códigos y leyes del gobierno.
4. Asegúrese de dejarle estas instrucciones al consumidor.

Nota importante para el consumidor

Guarde estas instrucciones para futura referencia.

INSTRUCCIONES IMPORTANTES DE SEGURIDAD

- **Asegúrese de que su electrodoméstico está instalado y conectado en un tomacorriente de 120 voltios con tierra.**
- **Este electrodoméstico debe ser puesto eléctricamente a tierra de acuerdo con el Código Nacional Eléctrico ANSI/NFPA No 7— de la última edición de los Estados Unidos, o la CSA C22.1, Parte 1 en Canadá, y con los requisitos de códigos locales.**

Herramientas que usted necesita

Destornillador de estrella (Phillips)
Lápiz
Regla o cinta medidora y regla recta
Serrucho manual o serrucho de sable
Nivel de burbuja

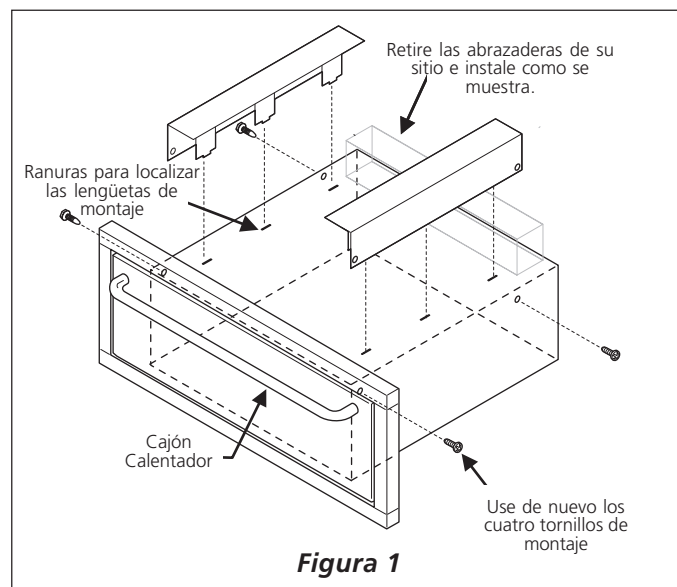
Instalación del cajón calentador

1. Retire las dos abrazaderas de soporte unidas por dos tornillos a la parte superior del cajón (vea la Figura 1). Deseche estos dos tornillos. Estas abrazaderas se requieren solamente si el cajón se va a usar en combinación con un horno de 30" (76 cm) integrado y montado por encima.

Continúe con el paso 2 si el cajón va a ser usado en combinación con un horno de 30" (76 cm) integrado y montado por encima.

Si el cajón va a ser usado como una unidad independiente, deseche las abrazaderas y continúe con el paso 3.

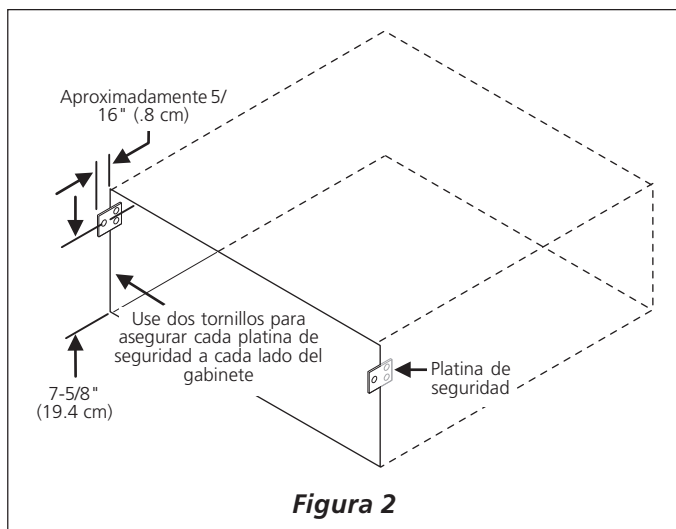
2. Inserte las lengüetas de las abrazaderas de soporte en las ranuras localizadas en la parte superior del cajón. Use los 4 tornillos que retiró de los lados del cajón calentador para asegurar las abrazaderas de soporte al encapsulado del cajón (vea la Figura 1).



INSTRUCCIONES DE INSTALACIÓN PARA EL CAJÓN CALENTADOR

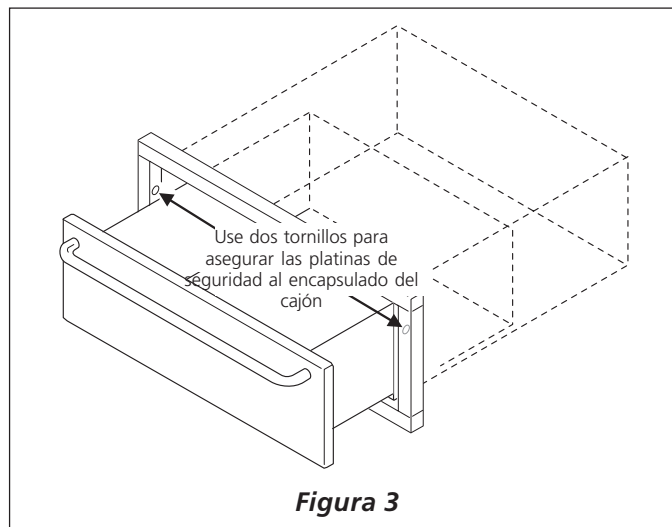
NOTA: Para la instalación como unidad independiente, la base debe ser capaz de soportar 100 libras (45 kilos). Para la combinación del Cajón Calentador y el horno integrado, la base debe ser capaz de soportar 250 libras (114 Kg).

3. Retire las dos platinas de seguridad y los 6 tornillos incluidos en el paquete de literatura. Monte las platinas de seguridad en cada lado de la abertura del gabinete, a lo largo de la parte de adentro de la abertura, como se ve en la Figura 2. El agujero central debe estar a 7-5/8" (19,4 cm) desde el fondo de la abertura para que se alinee con los agujeros en el encapsulado del cajón calentador. Use dos tornillos negro para apretar cada platina de seguridad al gabinete.



4. Deslice el cajón hacia dentro de la abertura de la abertura hasta que el marco frontal del cajón esté a ras contra el gabinete. Tenga cuidado de no pinchar el cable eléctrico.

5. Abra el cajón y asegure el encapsulado a las platinas de seguridad usando los dos tornillos niquelados suministrados. Entre los tornillos desde la parte de adentro del cajón hacia el agujero del centro de cada platina de seguridad (vea la Figura 3). **No apriete demasiado los tornillos.**



6. El cable de 60" (152 cm) del electrodoméstico puede ahora conectarse en un tomacorriente de 120 voltios con tierra.

7. Proceda con el montaje del horno integrado por encima del cajón (si es el caso). Siga las instrucciones provistas con el horno integrado. Asegúrese de usar las abrazaderas antideslizantes provistas con el horno integrado.

NOTA: Use una pieza de cartulina para proteger el cajón calentador y prevenir raspaduras cuando se instale el horno de pared sobre el cajón calentador.

GARANTIA PARA CAJÓN CALENTADOR "FRIGIDAIRE GALLERY"

Su producto Frigidaire está protegido por esta garantía (en los Estados Unidos)

	PERIODO DE GARANTIA	FRIGIDAIRE, A TRAVÉS DE SUS SERVICIOS AUTORIZADOS:	EL CLIENTE SE RESPONSABILIZARA POR:
GARANTIA COMPLETA UN AÑO	Un año desde la fecha de la compra original.	Pagará todos los costos de la reparación o del reemplazo de cualquier pieza de este electrodoméstico que demuestre tener defectos de material o fabricación.	Los costos de las llamadas de servicio que están listadas bajo RESPONSABILIDADES NORMALES DEL CLIENTE.*
GARANTIA LIMITADA (Aplicable al estado de Alaska)	Períodos de tiempo indicados anteriormente.	Se aplican todas las disposiciones respecto a las garantías completas o limitadas anteriores y las exclusiones listadas a continuación.	Costo del viaje del técnico a la casa y cualquier costo requerido para recoger y entregar el electrodoméstico como consecuencia del servicio.

Su electrodoméstico está garantizado por Frigidaire Home Products, una división de White Consolidated Industries, Inc. No autorizamos a nadie a que cambie o agregue nada a cualquiera de nuestras obligaciones bajo esta garantía. Nuestras obligaciones de servicio y piezas bajo esta garantía serán cumplidas por el departamento de Atención al Cliente de Frigidaire Home Products o un servicio autorizado por Frigidaire.

***RESPONSABILIDADES NORMALES DEL CLIENTE** Esta garantía se aplica solamente a los productos de uso doméstico normal, y el consumidor es responsable por los artículos que se indican a continuación:

1. El uso adecuado del electrodoméstico de acuerdo con las instrucciones provistas con el producto.
2. La instalación adecuada por un servicio autorizado de acuerdo con las instrucciones provistas con el electrodoméstico y de acuerdo con todos los códigos locales de plomería, electricidad y/o gas.
3. La conexión adecuada a una fuente de energía con toma de tierra de suficiente voltaje, el reemplazo de los fusibles fundidos, la reparación de las conexiones sueltas o de los defectos en el cableado de la casa.
4. Los gastos en los que se incurra para lograr acceso al electrodoméstico, tales como quitar guarniciones, alacenas, estantes, etc., los cuales no eran parte del electrodoméstico cuando fue despachado desde la fábrica.
5. Daños al acabado después de la instalación.
6. Reemplazo de bombillas y/o tubos fluorescentes (en los modelos que cuentan con dichos accesorios).

EXCLUSIONES

Esta garantía no cubre lo siguiente:

1. DAÑOS CONSECUENTES O INCIDENTALES TALES COMO DAÑOS A LA PROPIEDAD Y GASTOS INCIDENTALES QUE RESULTEN DEL INCUMPLIMIENTO DE ESTA GARANTIA ESCRITA O CUALQUIER GARANTIA IMPLICITA.
Nota: algunos estados no permiten la exclusión por limitación de daños incidentales o consecuentes, de modo que esta limitación o exclusión puede no afectarle a usted.
2. Llamadas de servicio que no incluyan el mal funcionamiento o defectos de fabricación o de materiales, o para electrodomésticos a los que no se les dé uso doméstico ordinario. El cliente deberá pagar por dichas llamadas de servicio.
3. Daños ocasionados por servicios realizados por personas que no sean los servicios autorizados de Frigidaire; uso de piezas que no sean piezas de repuesto auténticas de Frigidaire Home Products; obtenidas por personas que no sean dichos servicios; o causas externas tales como abuso, mal uso, fuente de energía inadecuada o causas de fuerza mayor.
4. Productos a los que se les haya quitado o alterado el número de serie original y que no se pueda determinar el mismo de inmediato.

SI NECESITA SERVICIO

Guarde su factura, recibo de entrega o alguna otra prueba de pago. La fecha de la factura establece el período de garantía en caso de que se requiera servicio. Si se realiza algún servicio, le interesará a usted guardar todos los recibos al respecto. Esta garantía escrita le brinda derechos legales específicos. Usted puede tener otros derechos, los cuales varían de estado a estado. El servicio bajo esta garantía debe ser obtenido siguiendo estos pasos, en el orden indicado:

1. Póngase en contacto con Atención al Cliente de Frigidaire Home Products o un servicio autorizado por Frigidaire.
2. Si desea preguntar dónde obtener el servicio, llame o escriba a nuestro Departamento de Atención al Cliente:

Frigidaire Home Products
P.O. Box 212378
Augusta, Georgia 30917-2378
(800) 944-9044



Las características o especificaciones del producto según se describen o ilustran están sujetas a cambios sin previo aviso. White Consolidated Industries, Inc. ofrece todas las garantías. Esta garantía se aplica solamente en los 50 estados de los EE.UU. y en Puerto Rico.