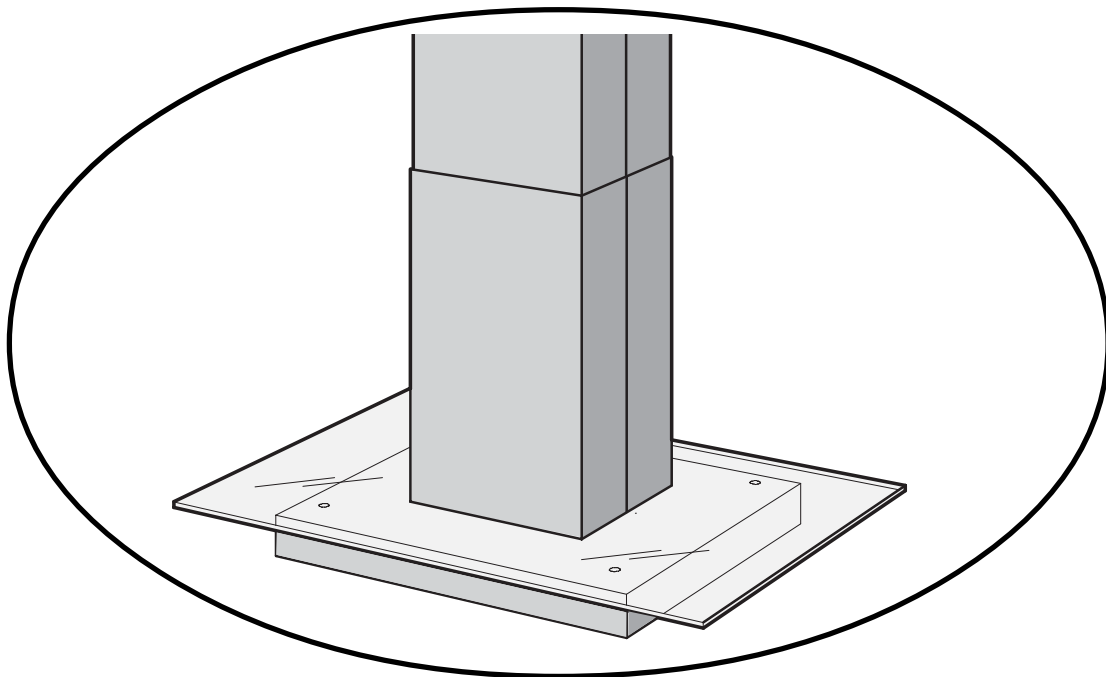


Use & Care Guide

Installation Instructions

Vent Hood



 **Electrolux**

Please read and save this guide

Thank you for choosing **Electrolux**, the new premium brand in home appliances. This *Use & Care Guide* is part of our commitment to customer satisfaction and product quality throughout the service life of your new appliance.

We view your purchase as the beginning of a relationship. To ensure our ability to continue serving you, please use this page to record important product information.

Keep a record for quick reference

Purchase date

Electrolux model number

Electrolux serial number (see picture for location)

NOTE

Registering your product with Electrolux enhances our ability to serve you. You can register online at **www.electroluxusa.com** or by dropping your Product Registration Card in the mail.

Questions?

For toll-free telephone support in the U.S. and Canada:
1-877-4ELECTROLUX (1-877-435-3287)

For online support and Internet product information visit <http://www.electroluxusa.com>

Table of contents


Finding information	2	Maintenance	11
SAFETY	3	• Grease filters	11
Verify package contents	5	• Non-Ducted recirculation filters	11
Installation	6	• Hood cleaning	11
• Install the ductwork	6	Operation	12
• Install support system.....	7	• Controls.....	12
• Prepare the hood	8	• Halogen bulbs.....	13
• Connect decorative flue	9	• Fuse replacement.....	13
• Install the hood	9	Wiring	14
• Connect ductwork	10	Warranty information	15
• Install filters.....	10		


Important Safety Instructions

Read all instructions before using this appliance.

Save these instructions for future reference.

Do not attempt to install or operate your appliance until you have read the safety precautions in this manual. Safety items throughout this manual are labeled with a WARNING or CAUTION based on the risk type.

 **WARNING** This symbol alerts you to situations that may cause serious body harm, death or property damage.

 **CAUTION** This symbol alerts you to situations that may cause bodily injury or property damage.

INTENDED FOR DOMESTIC COOKING ONLY

WARNING

TO REDUCE THE RISK OF FIRE, ELECTRIC SHOCK, OR INJURY TO PERSONS, OBSERVE THE FOLLOWING:

1. Use this unit only in the manner intended by the manufacturer. If you have questions, contact the manufacturer at the address or telephone number listed in the warranty.
2. Before servicing or cleaning unit, switch power off at service panel and lock service panel to prevent power from being switched on accidentally. When the service disconnecting means cannot be locked, securely fasten a prominent warning device, such as a tag, to the service panel.
3. Installation work and electrical wiring must be done by a qualified person(s) in accordance with all applicable codes and standards, including fire-rated construction codes and standards.
4. Sufficient air is needed for proper combustion and exhausting of gases through the flue (chimney) of fuel burning equipment to prevent backdrafting. Follow the heating equipment manufacturer's guide-

lines and safety standards such as those published by the National Fire Protection Association (NFPA), and the American Society for Heating, Refrigeration and Air Conditioning Engineers (ASHRAE), and the local code authorities.

5. When cutting or drilling into wall or ceiling, do not damage electrical wiring and other hidden utilities.
6. Ducted fans must always be vented to the outdoors.
7. Do not use this unit with any separate solid-state speed control device.
8. To reduce the risk of fire, use only metal ductwork.
9. This unit must be grounded.

TO REDUCE THE RISK OF A RANGE TOP GREASE FIRE:

- A. Never leave surface units unattended at high settings. Boilovers cause smoking and greasy spillovers that may ignite. Heat oils slowly on low or medium settings.
- B. Always turn hood ON when cooking at high heat or when flambeing food (i.e. Crepes Suzette, Cherries Jubilee, Peppercorn Beef Flambe').
- C. Clean ventilating fans frequently. Grease should not be allowed to accumulate on fan or filter.
- D. Use proper pan size. Always use cookware appropriate for the size of the surface element.

WARNING

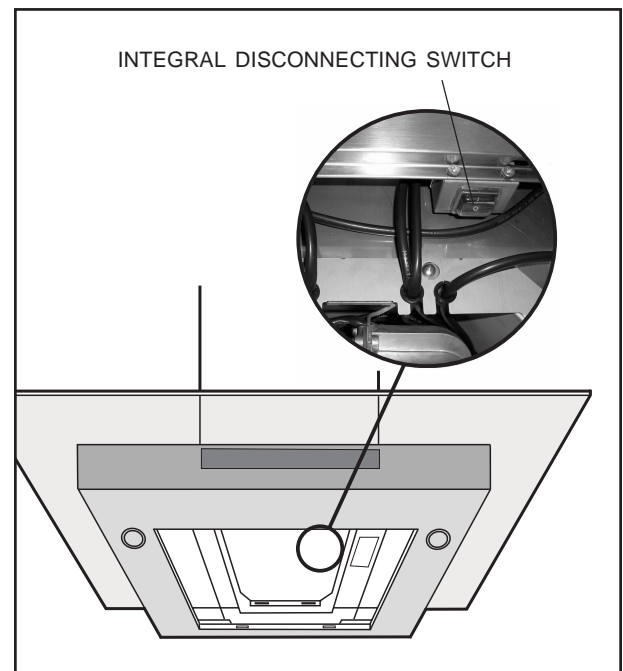
TO REDUCE THE RISK OF INJURY TO PERSONS IN THE EVENT OF A RANGE TOP GREASE FIRE, OBSERVE THE FOLLOWING:*

1. SMOTHER FLAMES with a close-fitting lid, cookie sheet, or metal tray, then turn off the burner. BE CAREFUL TO PREVENT BURNS. If the flames do not go out immediately, EVACUATE AND CALL THE FIRE DEPARTMENT.
2. NEVER PICK UP A FLAMING PAN - You may be burned.
3. DO NOT USE WATER, including wet dishcloths or towels - violent steam explosion will result.
4. Use an extinguisher ONLY if:
 - A. You know you have a Class ABC extinguisher and you already know how to operate it.
 - B. The fire is small and contained in the area where it started.
 - C. The fire department is being called.
 - D. You can fight the fire with your back to an exit.
 * Based on "Kitchen Fire Safety Tips" published by NFPA.
6. Your hood motor has a thermal overload which will automatically shut off the motor if it becomes overheated. The motor will restart when it cools down. If the motor continues to shut off and restart, have the hood serviced.
7. For best capture of cooking impurities, the bottom of the hood should be a minimum of 24" and a maximum of 30" above the cooking surface.
8. Two installers are recommended because of the large size and weight of this hood.
9. This product is equipped with a thermostat which may start blower automatically. To reduce the risk of injury and to prevent power from being switched on accidentally, switch power off at service panel and lock or tag service panel.
10. Please read specification label on product for further information and requirements.

CAUTION

1. To reduce risk of fire and to properly exhaust air, be sure to duct air outside. Do not vent exhaust air into spaces within walls or ceilings or into attics, crawl spaces, or garages.
2. Take care when using cleaning agents or detergents.
3. Avoid using food products that produce flames under the Range Hood.
4. For general ventilating use only. Do not use to exhaust hazardous or explosive materials and vapors.
5. To avoid motor bearing damage and noisy and/or unbalanced impellers, keep drywall spray, construction dust, etc. off power unit.

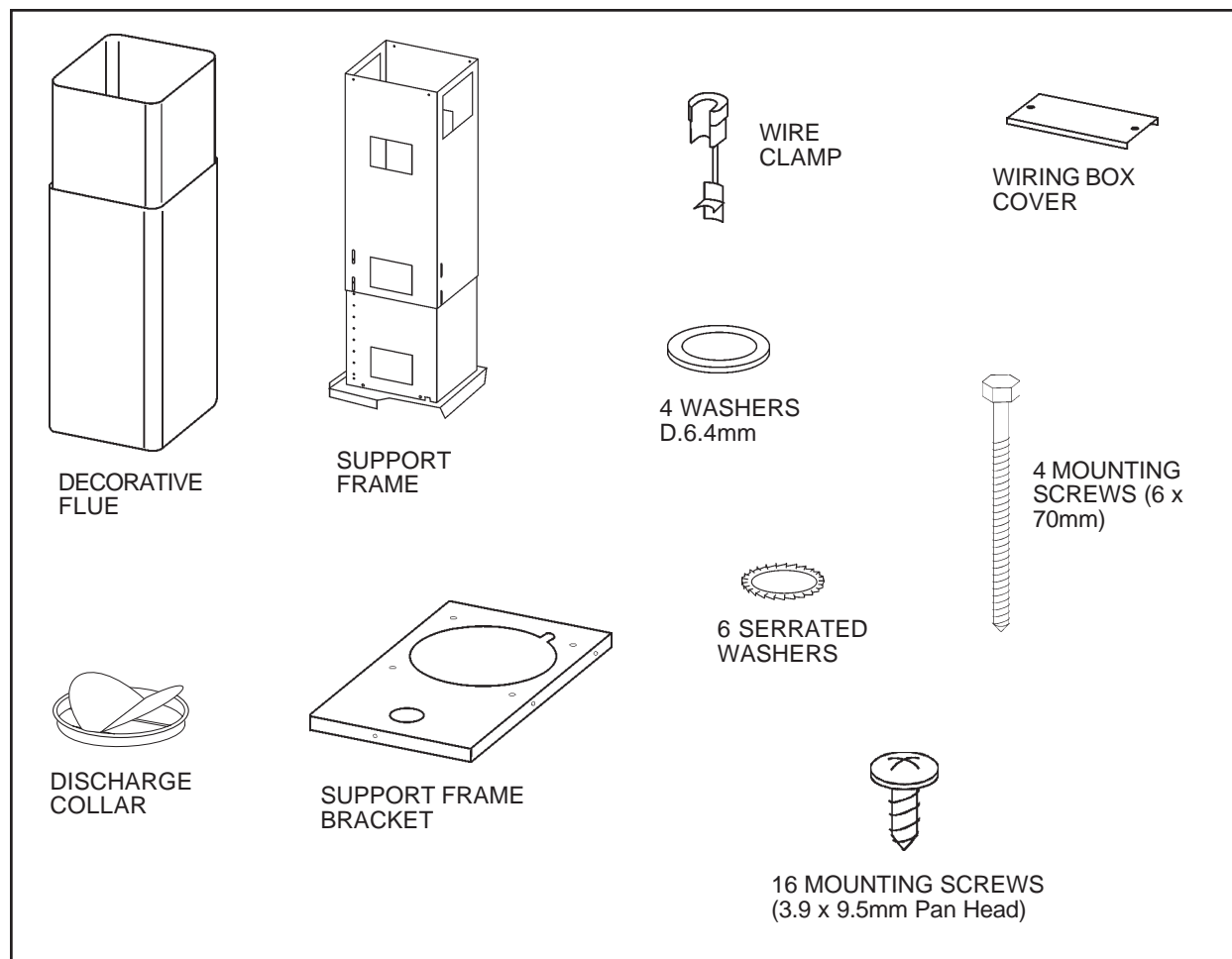
AUTOMATICALLY OPERATED DEVICE.
TO REDUCE THE RISK OF INJURY, DISCONNECT FROM POWER SUPPLY BEFORE SERVICING.
THE UNIT IS EQUIPPED WITH AN INTEGRAL DISCONNECTING SWITCH LOCATED INSIDE THE BLOWER HOUSING.



Unpack hood and check contents.

You should receive:

- 1 - Hood
- 1 - Decorative Flue Assembly
- 1 - Support Frame
- 1 - Parts Bag containing:
 - 1 - Support Frame Bracket
 - 1 - Discharge Collar
 - 4 - Mounting Screws (6 x 70)
 - 16 - Mounting Screws (3,9 x 9,5mm Pan Head)
 - 4 - Washers D.6.4mm
 - 6 - Serrated Washers
 - 1 - Wiring Box Cover
 - 1 - Wire Clamp
- 1 - Installation Instructions
- 1 - Warranty Card

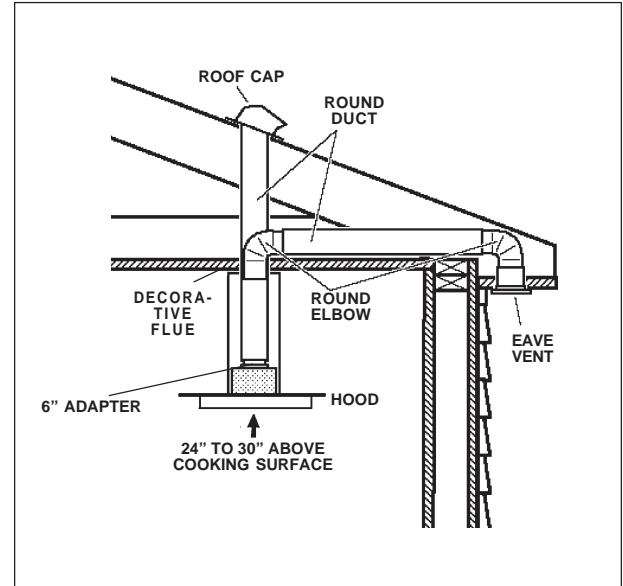


Install the ductwork

CAUTION

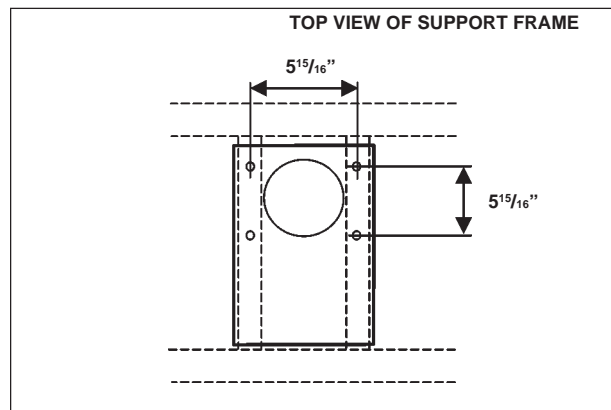
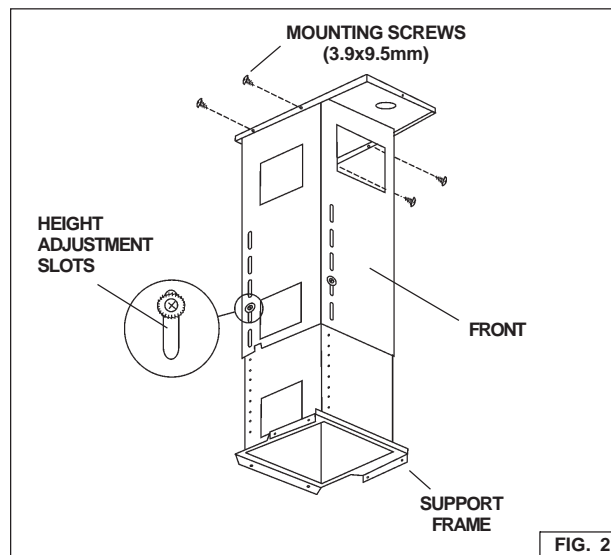
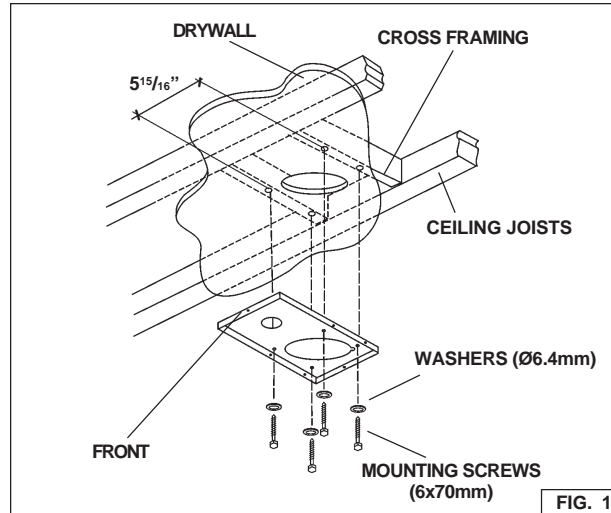
To reduce the risk of fire, use only metal ductwork.

1. Decide where the ductwork will run between the hood and the outside.
2. A straight, short duct run will allow the hood to perform most efficiently.
3. Long duct runs, elbows, and transitions will reduce the performance of the hood. Use as few of them as possible. Larger ducting may be required for best performance with longer duct runs.
4. Install a roof or wall cap. Connect round metal ductwork to cap and work back towards hood location. Use duct tape to seal the joints between ductwork sections.
5. Never make the size or area of the ductwork smaller than the size that originates at the hood.
6. Bigger ductwork is better.
7. Keep duct length less than 50 linear feet.
8. Minimize use of elbows and transitions (4 or less).
9. Always separate 90 degree elbows with at least 2 feet of straight ductwork.
10. Place transitions at least 1 foot from the hood outlet.



Install support system

1. At hood location, install 2 X 4 **cross framing** between **ceiling joists** using dimensions shown.
2. Finish the ceiling surface. Be sure to mark the location of the ceiling joists and cross framing.
3. Secure the support frame bracket to joists and cross framing with four screws provided (6x70mm) and four washers (D. 6.4mm). Make sure screws are driven into center of joists and framing for maximum strength.
4. Fix the support frame to the support frame bracket with (4) 3.9x9.5mm mounting screws. Fig. 2.
5. Adjust the overall height of the support frame. Loosen and re-tighten the 4 screws in the **height adjustment slots** as necessary.



Prepare the hood

NOTE

On stainless steel hoods, carefully remove the plastic protective film from all exterior surfaces of the hood and decorative flues, prior to final installation.

Fix the electrical mounting plate with (2) 3.9x9.5mm screws and (2) serrated washers. Fig. 3.

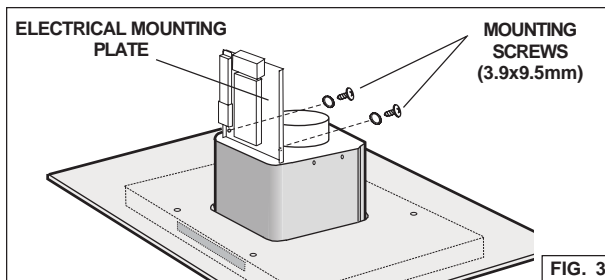


FIG. 3

DUCTED CONFIGURATION

Mount the discharge collar above the hood. Fig. 4.

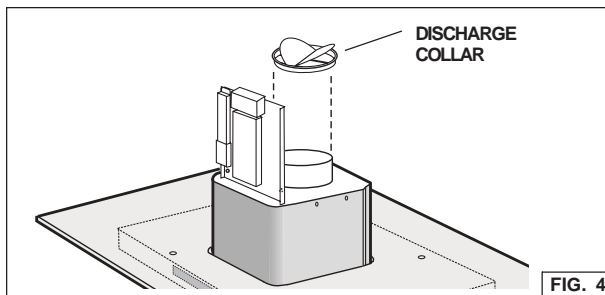


FIG. 4

NON-DUCTED CONFIGURATION

NOTE

Purchase a Non-ducted recirculation KIT from your dealer (Model DFKTPC40EC).

1. Insert the non-ducted recirculation plenum through the support frame openings. Fig. 5.
2. Through the support frame openings fit the duct connector to the plenum locking it with a turning movement. Fig. 6.
3. Fix a 5" duct to the duct connector of the non-ducted

recirculation plenum. Fig.6.

4. Mount the 6"/5" adapter above hood. Fig. 7.

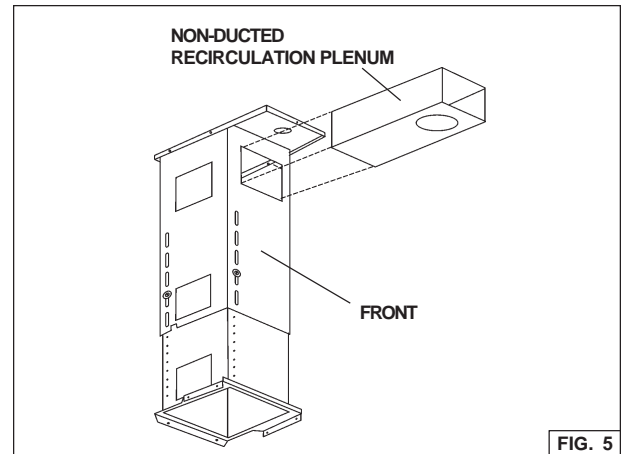


FIG. 5

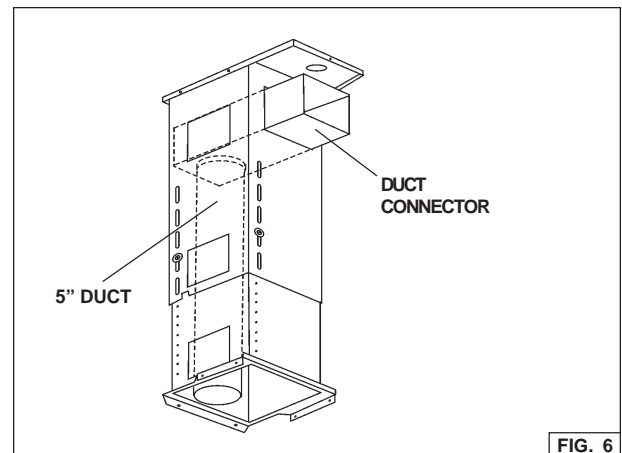


FIG. 6

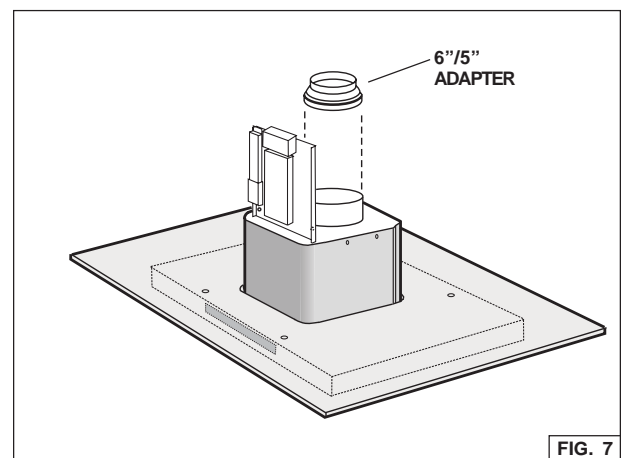


FIG. 7

Connect decorative flue

1. Secure the **upper flue** to the upper support frame with the mounting screws (3.9x9.5mm). Fig. 8.
2. Insert the **lower flue** moving it completely towards the top and fix it temporarily with a tape. Fig. 9.

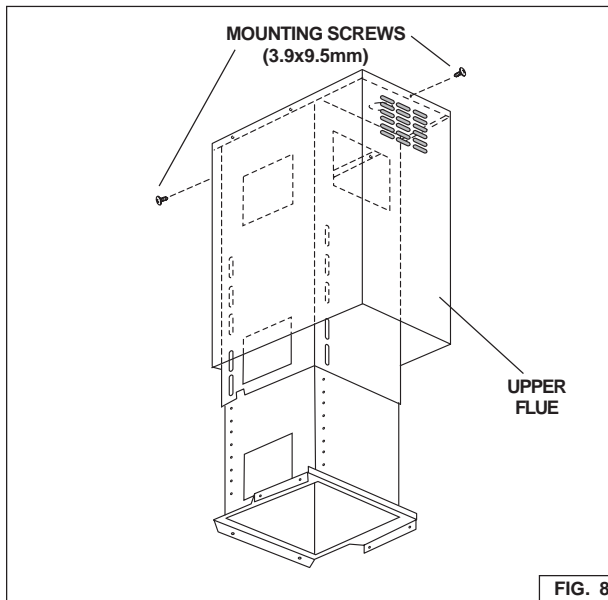


FIG. 8

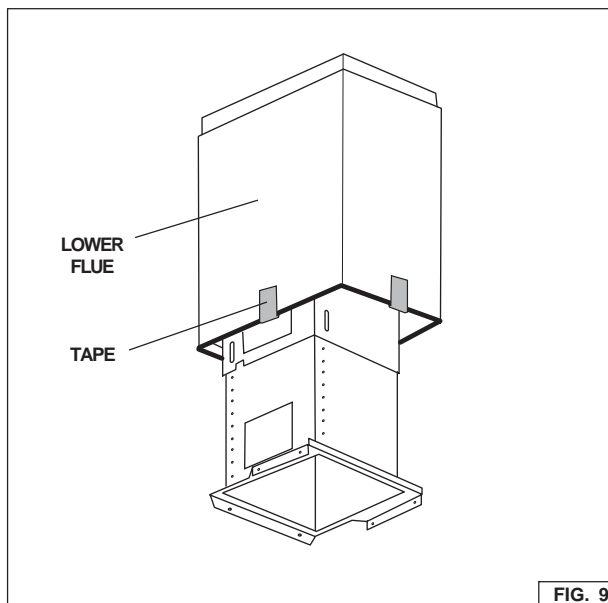


FIG. 9

ROOMS WITH 10-FOOT CEILINGS

Rooms with 10-foot ceilings require flue extension model EXPC75GS, available from your local dealer. Discard the flue supplied with the product. Replace it with the flue extension EXPC75GS. Continue with the instructions above (points 1 and 2).

Install the hood

NOTE

At least three people will be required to mount the hood.

Fix the hood to the support frame with (6) 3.9x9.5mm mounting screws and (2) serrated washers (Fig. 10).

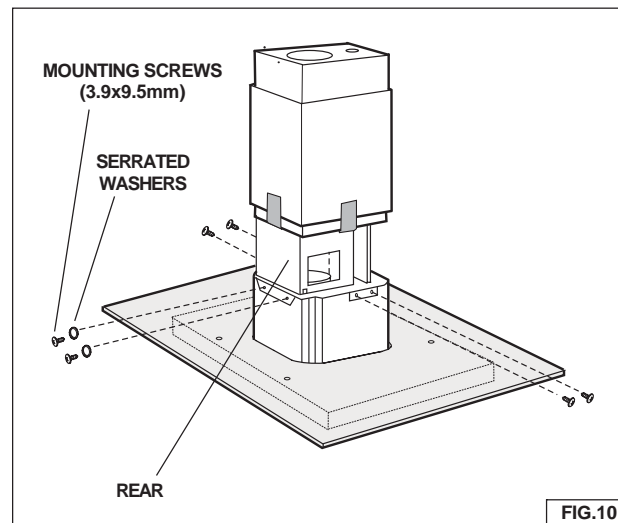


FIG.10

Connect ductwork

(DUCTED HOODS ONLY)

1. Use **6" round metal duct** to connect the discharge collar on the hood to the ductwork above (Fig. 11).
2. Use duct tape to make all joints secure and air tight.
3. Remove the tape from the lower flue and set it in place on the hood (Fig. 11).

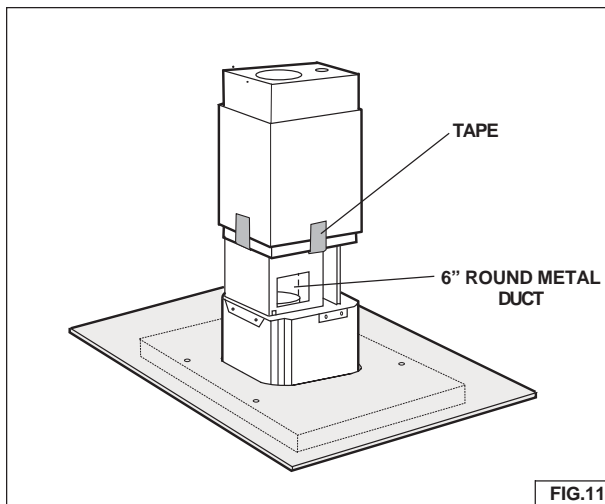


FIG.11

Install filters

(DUCTED AND NON-DUCTED HOODS)

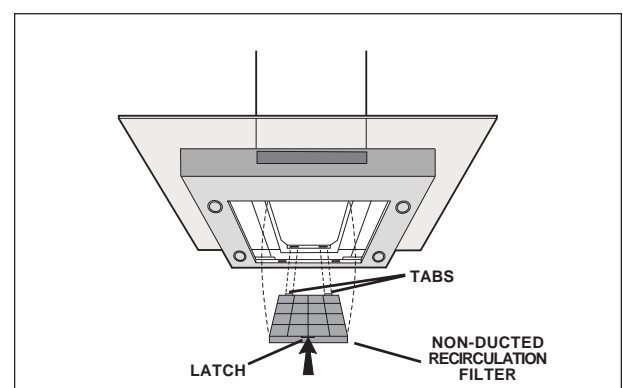
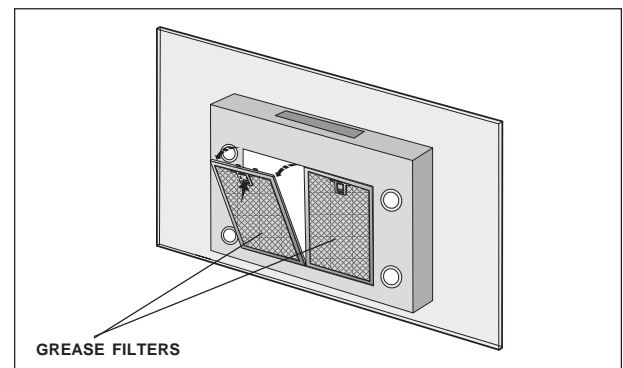
1. To remove the GREASE filters, pull the metal latch tab outside and unlock the filter.
2. To install the GREASE filters, align rear filter tabs with slots in the hood. Depress the metal latch tab, push filter into position and release. Make sure filter is securely engaged after installation.

NOTE

Prior to use, remove protective film from the filter frame.

(NON-DUCTED HOODS ONLY)

1. To remove the CHARCOAL filter, push in on the front filter latch. Pull the filter down to disengage the rear filter tabs.
2. To install the CHARCOAL filter, align the rear filter tabs with slots in the hood. Push the filter up into place until the front latch snaps securely into the slot. Make sure the filter is securely engaged after assembly.
3. Install GREASE filters after charcoal filter is installed.



Proper maintenance of the Range Hood will assure proper performance of the unit.

Grease filters

The **grease filters** should be cleaned when the filter reset switch will be illuminated.

Use a warm detergent solution. Grease filters are dishwasher safe.

See "INSTALL FILTERS" section for removal and installation instructions.

Once the grease filters are cleaned and installed, press in and hold the "filter reset switch" for approximately 3 seconds.

Non-Ducted Recirculation filters

The non-ducted recirculation filter should be changed when the filter reset switch will be illuminated and blink.

See "INSTALL FILTERS" section for removal and installation instructions.

Once the new charcoal filter is installed, press in and hold the "filter reset switch" for approximately 3 seconds.

Hood cleaning

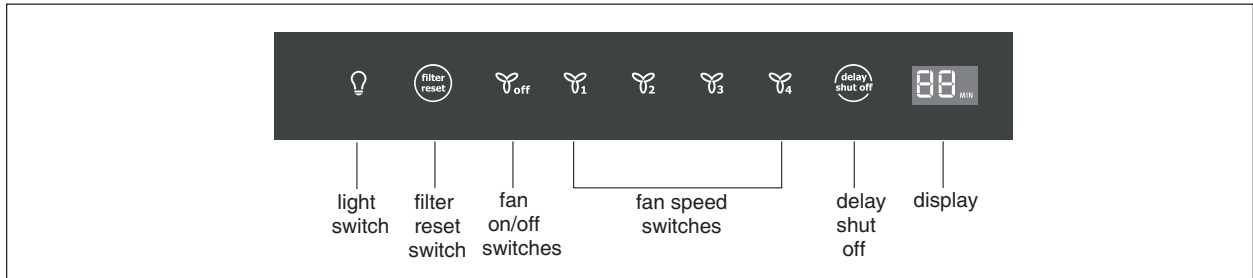
Stainless steel is one of the easiest materials to keep clean. Occasional care will help preserve its fine appearance.

Cleaning tips:

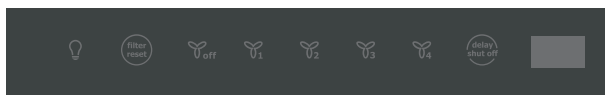
- Hot water with soap or detergent is all that is usually needed.
- Follow all cleaning by rinsing with clear water. Wipe dry with a clean, soft cloth to avoid water marks.
- For discolorations or deposits that persist, use a non-scratching household cleanser or stainless steel polishing powder with a little water and a soft cloth.
- For stubborn cases, use a plastic scouring pad or soft bristle brush together with cleanser and water. Rub lightly in direction of polishing lines or "grain" of the stainless finish. Avoid using too much pressure which may mar the surface.
- **DO NOT** allow deposits to remain for long periods of time.
- **DO NOT** use ordinary steel wool or steel brushes. Small bits of steel may adhere to the surface causing rust.
- **DO NOT** allow salt solutions, disinfectants, bleaches, or cleaning compounds to remain in contact with stainless steel for extended periods. Many of these compounds contain chemicals which may be harmful. Rinse with water after exposure and wipe dry with a clean cloth.

Painted surfaces should be cleaned with warm water and mild detergent only.

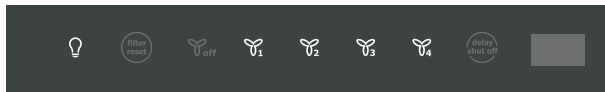
Controls



Dead-front mode



Stand-by mode



In dead-front mode, press any key for enter in stand-by mode.

If the hood is in stand-by mode, after 10 seconds on return automatically in dead-front mode.

Light switch

Press any key for enter in stand-by mode.

Push the light switch once to turn the lights ON to a dim level.

Push a second time to turn the lights ON to a brighter level.

Push a third time to turn the lights OFF (stand-by mode).

Fan speed switches

Press any key for enter in stand-by mode.

The fan speed switches turns the fan on.

1 : fan ON at low speed

2 : fan ON at medium-low speed

3 : fan ON at medium-high speed

4 : fan ON at high speed

Fan on/off switch

Push this fan switch to turn OFF the fan.

The hood turns in the stand-by mode.

Delay shut off switch

Pressing this switch when is active any speed, sets a timer which keeps the fan operating at this speed for 10 minutes (the number "10" appears in the display). After 10 minutes, the hood turns in the stand-by mode.

Push this switch once to turn the timer Off.

Filter reset switch

When the filter switch is illuminated, it is necessary to clean the GREASE FILTERS. Once the grease filters are cleaned and installed, press in and hold the "filter reset switch" for approximately 3 seconds.

When the filter switch is illuminated and blink, it is necessary to replace the CHARCOAL FILTER. Once the new charcoal filter is installed, press in and hold the "filter reset switch" for approximately 3 seconds.

Heat Sentry

Your hood is equipped with a HEAT SENTRY™ thermostat. This thermostat is a device that will turn on or speed up the blower if it senses excessive heat above the cooking surface.

- 1) If blower is OFF - it turns blower ON to HIGH speed.
- 2) If blower is ON at a lower speed setting - it turns blower up to HIGH speed.

When the Heat Sentry is active, the word "HS" appears in the display and the tone alarm is active. To disarm the tone alarm, press the 4 fan speed switch.

When the temperature level drops to normal, the blower will return to its original setting.

→ IMPORTANT

The HEAT SENTRY thermostat can start the blower even if the hood is turned OFF. When this occurs, it is impossible to turn the blower OFF with its switch. If you must stop the blower, do it from the integral disconnecting switch located inside the blower housing.

Heat Sentry active



Halogen bulbs

This range hood requires four halogen bulbs (max 20W, 12V, Type T3 bulb, G4 Base).

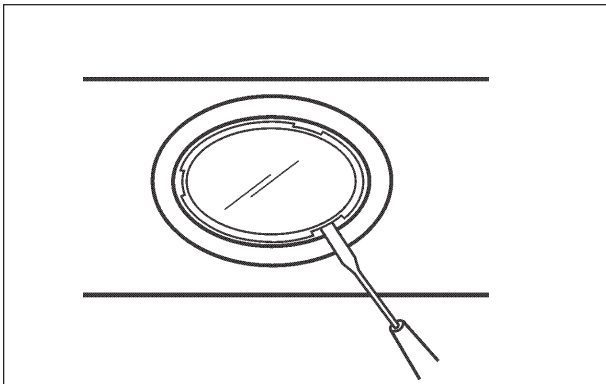
Halogen Bulb Key : 5304454951

WARNING

ALWAYS SWITCH OFF THE ELECTRICITY SUPPLY BEFORE CARRYING OUT ANY OPERATIONS ON THE APPLIANCE.

To change bulbs:

1. Open the cover by prying from the proper slots. - DO NOT ROTATE. **CAUTION: BULB MAY BE HOT!**
3. Replace with a max 20W, 12V, Type T3 bulb, G4 Base bulb. Do not touch replacement bulb with bare hands! If the bulb is touched with the bare hand, it should be cleaned with a lint-free cloth moistened with methylated spirit.



Fuse replacement

WARNING

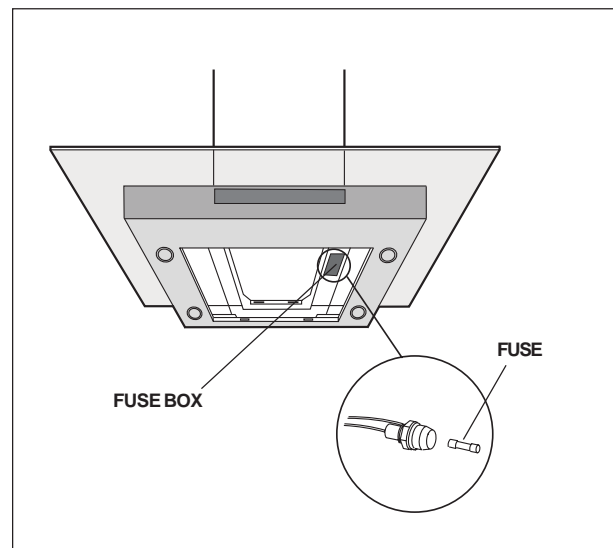
SWITCH OFF THE ELECTRICITY SUPPLY.

Remove the grease filters.

Open the fuse box.

Replace with the same type of fuse (5x20mm, 4A, 125V).

Fuse Key : 5304455332



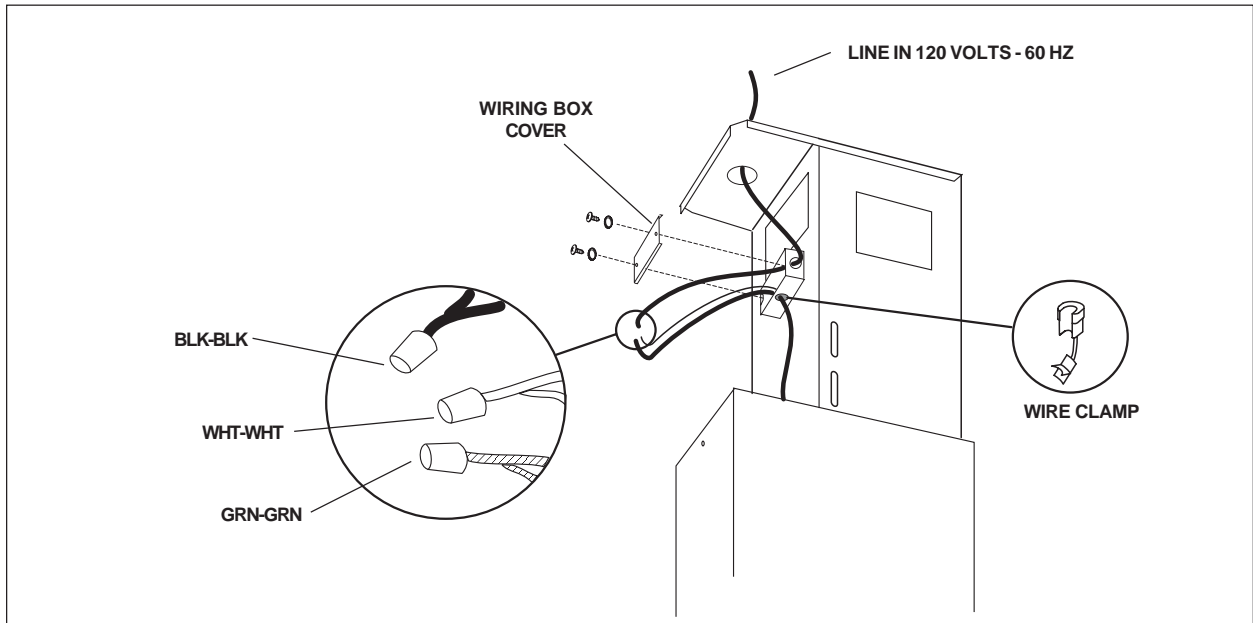
WARNING

This range hood must be properly grounded.
Improper grounding can result in a risk of electric shock.

The unit should be installed by a qualified electrician in accordance with all applicable national and local electrical codes.

Turn off electrical power at service entrance before wiring.

1. Remove the (2) screws of the upper flue and move the upper flue towards the bottom.
2. Feed 6" of power cable through the top opening of the support frame bracket (installed on ceiling) and into the wiring box. For the Non-Ducted Hoods, do not use the upper hole of the wiring box.
Secure cable to the wiring box using an appropriate connector.
3. Feed the range hoods power cable through the lower hole of the wiring box (use a wire clamp located in the Hardware Package).
4. Make electrical connections. Wire white-to-white, black-to-black and green-to-green.
5. Push all wiring inside the wiring box. Install the wiring box cover with (2) 3.9x9.5mm screws and (2) serrated washers making sure wires are not pinched.
6. Tuck excess power cable inside the flue.
7. Reinstall the upper flue.



Warranty Information

In the U.S.A., your appliance is warranted by Electrolux Home Products North America, a division of White Consolidated Industries, Inc. We authorize no person to change or add to any of our obligations under this warranty. Our obligations for service and parts under this warranty must be performed by us or authorized Electrolux Home Products North America servicer. In Canada, our appliance is warranted by Electrolux Canada Corp.

	WARRANTY PERIOD	THROUGH OUR AUTHORIZED SERVICERS, WE WILL:	THE CONSUMER WILL BE RESPONSIBLE FOR:
FULL ONE-YEAR WARRANTY	One year from original purchase date	Pay all costs for repairing or replacing any parts of this appliance which prove to be defective in materials or workmanship.	Costs of service calls that are listed under NORMAL RESPONSIBILITIES OF THE CONSUMER.*
LIMITED WARRANTY (Applicable to the State of Alaska)	Time periods listed above	All of the provisions of the full and limited warranties above and the exclusions listed below apply.	Costs of the technician's travel to the home and any costs for pick up and delivery of the appliance required because of service.

***NORMAL RESPONSIBILITIES OF THE CONSUMER**

This warranty applies only to products in ordinary household use and the consumer is responsible for the items listed below.

1. Proper use of the appliance in accordance with instructions provided with the product.
2. Proper installation by an authorized servicer in accordance with instructions provided with the appliance and in accordance with all local plumbing, electrical and/or gas codes.
3. Proper connection to grounded power supply of sufficient voltage, replacement of blown fuses, repair of loose connections or defects in house wiring.
4. Expenses for making the appliance accessible for servicing, such as removal of trim, cupboards, shelves, etc., which are not a part of the appliance when it was shipped from the factory.
5. Damages to finish after installation.
6. Replacement of light bulbs and/or fluorescent tubes (on models with these features).

EXCLUSIONS

This warranty does not cover the following:

1. CONSEQUENTIAL OR INCIDENTAL DAMAGES SUCH AS PROPERTY AND INCIDENTAL EXPENSES RESULTING FROM ANY BREACH OF THIS WRITTEN OR ANY IMPLIED WARRANTY.
NOTE: Some states do not allow the exclusion or limitation of incidental or consequential damages, so this limitation or exclusion may not apply to you.
2. Service calls which do not involve malfunction or defects in workmanship or material, or for appliances not in ordinary household use. The consumer shall pay for such service calls.
3. Damages caused by services performed by servicers other than Electrolux Home Products North America or its authorized servicers; use of parts other than genuine Electrolux Home Products parts; obtained from persons other than such servicers; or external causes such as abuse, misuse, inadequate power supply or acts of God.
4. Products with original serial numbers that have been removed or altered and cannot be readily determined.

IF YOU NEED SERVICE

Keep your bill of sale, delivery slip, or some other appropriate payment record. The date on the bill establishes the warranty period should service be required. If service is performed, it is in your best interest to obtain and keep all receipts. This written warranty gives you specific legal rights. You may also have other rights that vary from state to state. Service under this warranty must be obtained by contacting Electrolux Home Products.

This warranty only applies in the 50 states of the U.S.A., Puerto Rico and Canada. Product features or specifications as described or illustrated are subject to change without notice. All warranties are made by Electrolux Home Products North America, a division of White Consolidation Industries, Inc. In Canada, your appliance is warranted by Electrolux Canada Corp.

USA
1-800-944-9044
 Electrolux Home Products
 North America
 P.O. Box 212378
 Augusta, GA 30917

Canada
1-866-294-9911
 Electrolux Home Products
 North America
 802, boul. L'Ange-Gardien
 L'Assomption, Quebec J5W 1T6

