

KitchenAid® Bottom Mount Refrigerator

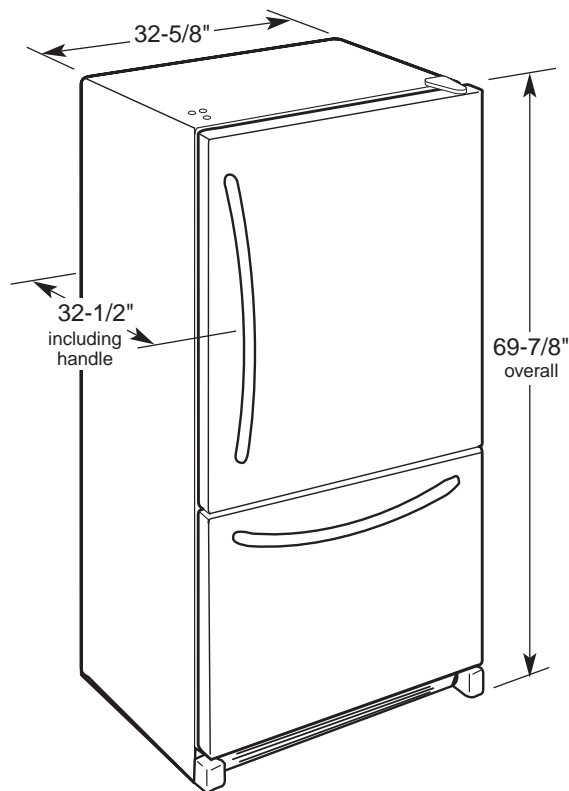
PRODUCT MODEL NUMBERS

KBLA22KL KBRA22KL
KBLA22KM KBRA22KM

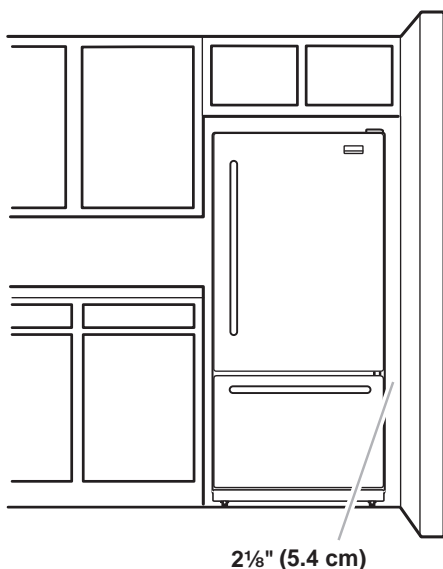
Electrical: A 115 Volt, 60 Hz., AC only 15 or 20 ampere fused, grounded electrical supply is required. It is recommended that a separate circuit serving only your refrigerator be provided. Use an outlet that cannot be turned off by a switch. Do not use an extension cord.

Water: Connect the ice maker to a cold water line with water pressure between 20 and 120 psi.

OVERALL DIMENSIONS



LOCATION REQUIREMENTS



To ensure proper ventilation for your refrigerator, allow 1/2 in. (1.25 cm) space at the top and back and 3/16 in. (0.48 cm) on each side of the refrigerator for ease of installation. When installing your refrigerator next to a fixed wall, leave 2-1/8 in. (5.4 cm) minimum on each side (depending on your model) to allow for the door to swing open. If your refrigerator has an ice maker, allow extra space at the back for the water line connections.

NOTE: Do not install the refrigerator near an oven, radiator, or other heat source, nor in a location where the temperature will fall below 55°F (13°C).