

KitchenAid® 30" (76.2 CM) AND 36" (91.4 CM) ELECTRIC DOWNDRAFT COOKTOP

PRODUCT MODEL NUMBERS

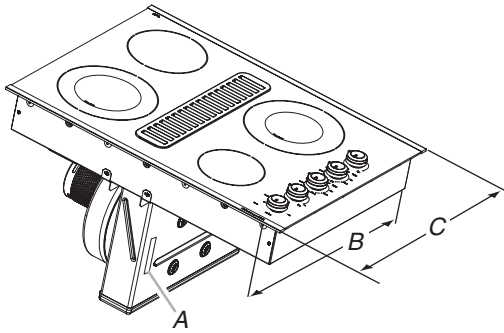
KECD807X
KECD867X

ELECTRICAL REQUIREMENTS:

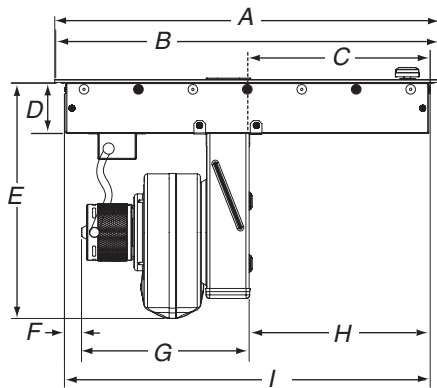
A 4-wire or 3-wire, single phase, 120/240 volt, 60 Hz., AC only electrical supply on a separate, 40-amp circuit breaker is required for both 30" (76.2 cm) and 36" (91.4 cm) models. If a fused system is used, fuse both sides of the line.

PRODUCT DIMENSIONS

30" (76.2 cm) Cooktop - for standard and electric models



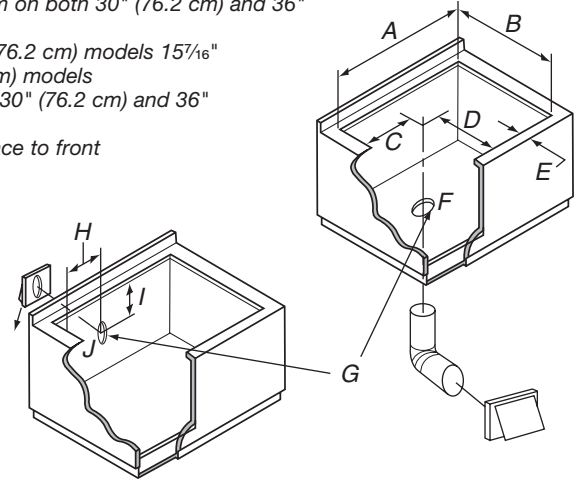
- A. Model/serial rating/clearance plate location
- B. 21" (53.4 cm) screw head to screw head
- C. 22" (52.3 cm) without stainless steel trim or 21³⁷/₆₄" (54.8 cm) with stainless steel trim



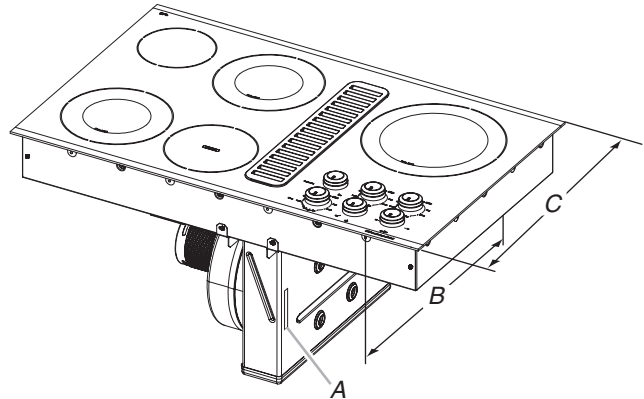
- A. 30¹/₃₂" (76.3 cm) with stainless steel trim
- B. 29¹⁵/₁₆" (76.1 cm) without stainless steel trim
- C. 14⁹/₁₆" (36.4 cm)
- D. 3³/₃₂" (10.1 cm)
- E. 18¹³/₃₂" (46.8 cm)
- F. 1¹/₃₂" (3.4 cm)
- G. 13³/₃₂" (33.3 cm)
- H. 14³/₁₆" (36.0 cm)
- I. 28⁵/₁₆" (72.7 cm) screw head to screw head

CUTOUT DIMENSIONS

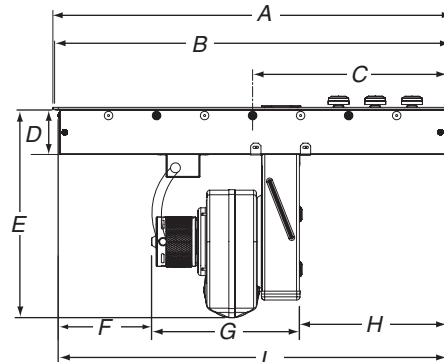
- A. 28⁷/₁₆" (73.4 cm) maximum on 30" (76.2 cm) models 34⁹/₁₆" (87.8 cm) maximum on 36" (91.4 cm) models
- B. 21¹/₈" (53.7 cm) maximum on both 30" (76.2 cm) and 36" (91.4 cm) models
- C. 8¹⁹/₃₂" (21.8 cm) on 30" (76.2 cm) models 15⁷/₁₆" (39.2 cm) on 36" (91.4 cm) models
- D. 6¹⁹/₆₄" (16.0 cm) on both 30" (76.2 cm) and 36" (91.4 cm) models
- E. 2" (5.1 cm) minimum space to front edge of cooktop
- F. Floor exhaust option
- G. 6¹/₈" (15.6 cm) for 6" (15.2 cm) vent system 5¹/₈" (13 cm) for 5" (12.7 cm) vent system
- H. 8¹/₃₂" (21.8 cm) on 30" (76.2 cm) models 15⁷/₁₆" (39.2 cm) on 36" (91.4 cm) models
- I. 16" (40.6 cm) on both 30" (76.2 cm) and 36" (91.4 cm) models
- J. Wall exhaust option



36" (91.4 cm) Cooktop - for standard and electric models

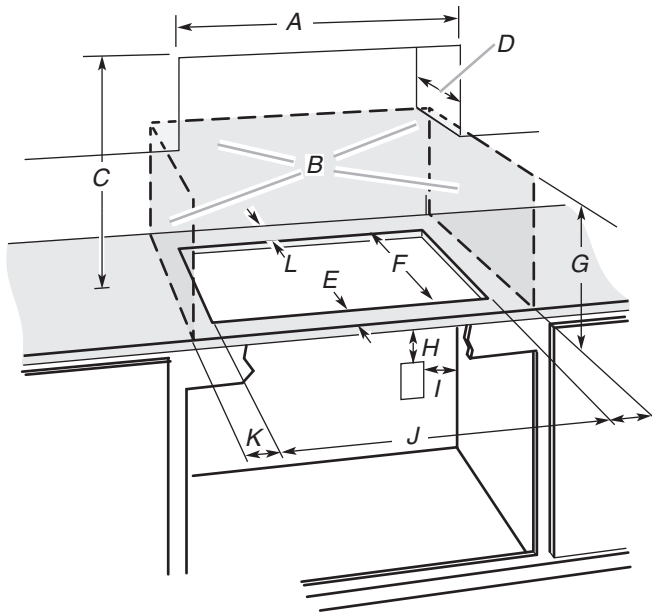


- A. Model/serial rating/clearance plate location
- B. 21" (53.4 cm) screw head to screw head
- C. 22" (52.3 cm) without stainless steel trim or 21³⁷/₆₄" (54.8 cm) with stainless steel trim



- A. 35²⁹/₆₄" (90.1 cm) with stainless steel trim
- B. 35²⁵/₆₄" (89.9 cm) without stainless steel trim
- C. 17³¹/₆₄" (43.8 cm)
- D. 3²⁵/₃₂" (9.6 cm)
- E. 18¹³/₃₂" (46.8 cm)
- F. 8¹/₆₄" (20.9 cm)
- G. 13³/₃₂" (33.3 cm)
- H. 13¹/₁₆" (33.2 cm)
- I. 34³¹/₆₄" (87.6 cm) screw head to screw head

CABINET DIMENSIONS



- A. 30" (76.2 cm) on 30" (76.2 cm) models 36" (91.4 cm) on 36" (91.4 cm) models
- B. Combustible area above countertop (shown by dashed box above)
- C. 30" (76.2 cm) minimum clearance between top of cooktop platform and bottom of uncovered wood or metal cabinet (24" [61 cm] minimum clearance if bottom of wood or metal cabinet is covered by not less than ¼" [0.6 cm] flame retardant millboard covered with not less than No. 28 MSG sheet steel, 0.015" [0.04 cm] stainless steel, or 0.024" [0.06 cm] aluminum or 0.020" [0.05 cm] copper)
- D. 13" (33 cm) recommended upper cabinet depth
- E. 2" (5.1 cm)
- F. 21⅛" (73.4 cm)
- G. 18" (45.7 cm) minimum clearance from upper cabinet to countertop within minimum horizontal clearances to cooktop
- H. Junction box or outlet; 12" (30.5 cm) minimum from bottom of countertop
- I. Junction box or outlet; 10" (25.4 cm) from right-hand side of cabinet
- J. 28⅞" (73.4 cm) on 30" (76.2 cm) models 34⅞" (87.8 cm) on 36" (91.4 cm) models
- K. 2½" (6.4 cm) minimum distance to nearest left and right side combustible surface above cooktop
- L. 1½" (3.8 cm) minimum clearance between back wall and countertop

NOTES: After making the countertop cutout, some installations may require notching down the base cabinet side walls to clear the cooktop base. To avoid this modification, use a base cabinet with sidewalls wider than the cutout.

- A minimum side clearance of 6" (15.2 cm) is recommended between side of cooktop and side wall for maximum ventilation performance.
- A minimum clearance of 2" (5.1 cm) is recommended between the motor/blower and cabinet for proper cooling. A 6" (15.2 cm) clearance is recommended for servicing access.