

# KitchenAid®

## GAS RANGE

### Use & Care Guide

For questions about features, operation/performance, parts accessories or service, call: **1-800-422-1230**  
In Canada, call for assistance **1-800-461-5681**, for installation and service, call: **1-800-807-6777** or visit our website at...  
[www.kitchenaid.com](http://www.kitchenaid.com) or [www.KitchenAid.ca](http://www.KitchenAid.ca)

## CUISINIÈRE À GAZ

### Guide d'utilisation et d'entretien

Au Canada, pour assistance composez le **1-800-461-5681**, pour installation ou service composez le **1-800-807-6777** ou visitez notre site web à...  
[www.KitchenAid.ca](http://www.KitchenAid.ca)

Table of Contents/Table des matières..... 2



To the installer: Please leave this instruction book with the unit.  
To the consumer: Please read and keep this book for future reference.

Pour l'installateur : laisser ce manuel d'instructions avec l'appareil.  
Pour le consommateur: lire ce manuel et le conserver pour consultation ultérieure.

**Models/Modèles KGR1801 KGRA806 KGRK806 KGS1901 KGSA906**

**9757452**

# TABLE OF CONTENTS

<b>RANGE SAFETY</b> .....	<b>3</b>
The Anti-Tip Bracket .....	4
<b>PARTS AND FEATURES</b> .....	<b>5</b>
<b>COOKTOP USE</b> .....	<b>7</b>
Cookware .....	7
Home Canning .....	7
Cooktop Controls .....	7
TripleTier™ Flame Burner with InstaWok™ Ring .....	9
Surface Burners .....	9
<b>ELECTRONIC OVEN CONTROL</b> .....	<b>11</b>
Electronic Control Pads .....	11
Oven Displays .....	11
Start .....	12
Control Lock .....	12
Off .....	12
Clock/Timer Display .....	12
<b>OPTIONS</b> .....	<b>12</b>
Options Selection Pad .....	12
Fahrenheit and Celsius .....	12
Tones .....	12
Oven Temperature Calibration .....	12
Timer .....	13
<b>OVEN USE</b> .....	<b>13</b>
Aluminum Foil .....	13
Bakeware .....	13
Meat Thermometer .....	13
Temperature Probe .....	14
Oven Vent .....	14
Positioning Racks and Bakeware .....	15
Oven Half-Rack with Removable Insert .....	15
Bake .....	16
Broil .....	16
Convection Cooking .....	17
EASY CONVECT™ Conversion .....	17
Convection Bake .....	17
Convection Roast .....	18
Convection Broil .....	19
Convect Full Meal .....	19
Sabbath Mode .....	19
Proofing Bread .....	20
Timed Cooking .....	21
<b>RANGE CARE</b> .....	<b>21</b>
Self-Cleaning Cycle .....	21
General Cleaning .....	22
Oven Light(s) .....	23
Storage Drawer .....	23
Oven Door .....	23
<b>TROUBLESHOOTING</b> .....	<b>24</b>
<b>ASSISTANCE OR SERVICE</b> .....	<b>26</b>
<b>WARRANTY</b> .....	<b>27</b>

# TABLE DES MATIÈRES

<b>SÉCURITÉ DE LA CUISINIÈRE</b> .....	<b>28</b>
La bride antibasculement .....	29
<b>PIÈCES ET CARACTÉRISTIQUES</b> .....	<b>30</b>
<b>UTILISATION DE LA TABLE DE CUISSON</b> .....	<b>32</b>
Ustensiles de cuisson .....	32
Préparation de conserves à la maison .....	32
Commandes de la table de cuisson .....	32
Brûleur à flamme TripleTier™ avec anneau InstaWok™ .....	34
Brûleurs de surface .....	35
<b>COMMANDE ÉLECTRONIQUE DU FOUR</b> .....	<b>37</b>
Touches de commande électroniques .....	38
Afficheurs du four .....	38
Mise en marche .....	38
Verrouillage des commandes .....	38
Arrêt .....	38
Affichage Horloge/Minuterie .....	38
<b>OPTIONS</b> .....	<b>38</b>
Touche de sélection des options .....	38
Fahrenheit et Celsius .....	38
Signaux sonores .....	38
Calibrage de la température du four .....	39
Minuterie .....	39
<b>UTILISATION DU FOUR</b> .....	<b>39</b>
Papier d'aluminium .....	39
Ustensiles de cuisson .....	40
Thermomètre à viande .....	40
Sonde thermométrique .....	40
Évent du four .....	41
Positionnement des grilles et des ustensiles de cuisson .....	41
Demi-grille de four avec section amovible .....	42
Cuisson au four .....	42
Cuisson au gril .....	43
Cuisson par convection .....	43
Conversion EASY CONVECT™ .....	44
Cuisson au four par convection .....	44
Rôtissage par convection .....	45
Cuisson au gril par convection .....	46
Repas complet par convection .....	46
Mode Sabbath .....	47
Levée du pain .....	48
Cuisson minutée .....	48
<b>ENTRETIEN DE LA CUISINIÈRE</b> .....	<b>49</b>
Programme d'autonettoyage .....	49
Nettoyage général .....	50
Lampe(s) du four .....	51
Tiroir de rangement .....	51
Porte du four .....	52
<b>DÉPANNAGE</b> .....	<b>53</b>
<b>ASSISTANCE OU SERVICE</b> .....	<b>54</b>
<b>GARANTIE</b> .....	<b>55</b>

# RANGE SAFETY

## Your safety and the safety of others are very important.

We have provided many important safety messages in this manual and on your appliance. Always read and obey all safety messages.



This is the safety alert symbol.

This symbol alerts you to potential hazards that can kill or hurt you and others.

All safety messages will follow the safety alert symbol and either the word "DANGER" or "WARNING." These words mean:

**⚠ DANGER**

**You can be killed or seriously injured if you don't immediately follow instructions.**

**⚠ WARNING**

**You can be killed or seriously injured if you don't follow instructions.**

All safety messages will tell you what the potential hazard is, tell you how to reduce the chance of injury, and tell you what can happen if the instructions are not followed.

**WARNING: If the information in this manual is not followed exactly, a fire or explosion may result causing property damage, personal injury or death.**

- Do not store or use gasoline or other flammable vapors and liquids in the vicinity of this or any other appliance.
- **WHAT TO DO IF YOU SMELL GAS:**
  - Do not try to light any appliance.
  - Do not touch any electrical switch.
  - Do not use any phone in your building.
  - Immediately call your gas supplier from a neighbor's phone. Follow the gas supplier's instructions.
  - If you cannot reach your gas supplier, call the fire department.
- Installation and service must be performed by a qualified installer, service agency or the gas supplier.

The California Safe Drinking Water and Toxic Enforcement Act requires the Governor of California to publish a list of substances known to the State of California to cause cancer, birth defects, or other reproductive harm, and requires businesses to warn of potential exposure to such substances.

WARNING: This product contains a chemical known to the State of California to cause cancer, birth defects, or other reproductive harm.

This appliance can cause low-level exposure to some of the substances listed, including benzene, formaldehyde, carbon monoxide, toluene, and soot.

## The Anti-Tip Bracket

The range will not tip during normal use. However, the range can tip if you apply too much force or weight to the open door without the anti-tip bracket fastened down properly.

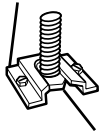


### **! WARNING**

#### Tip Over Hazard

- A child or adult can tip the range and be killed.**
- Connect anti-tip bracket to rear range foot.**
- Reconnect the anti-tip bracket, if the range is moved.**
- See the installation instructions for details.**
- Failure to follow these instructions can result in death or serious burns to children and adults.**

#### Anti-Tip Bracket



Range Foot

#### Making sure the anti-tip bracket is installed:

- **Slide range forward.**
- **Look for the anti-tip bracket securely attached to floor.**
- **Slide range back so rear range foot is under anti-tip bracket.**

## IMPORTANT SAFETY INSTRUCTIONS

**WARNING:** To reduce the risk of fire, electrical shock, injury to persons, or damage when using the range, follow basic precautions, including the following:

- **WARNING:** TO REDUCE THE RISK OF TIPPING OF THE RANGE, THE RANGE MUST BE SECURED BY PROPERLY INSTALLED ANTI-TIP DEVICES. TO CHECK IF THE DEVICES ARE INSTALLED PROPERLY, SLIDE RANGE FORWARD, LOOK FOR ANTI-TIP BRACKET SECURELY ATTACHED TO FLOOR, AND SLIDE RANGE BACK SO REAR RANGE FOOT IS UNDER ANTI-TIP BRACKET.
- **CAUTION:** Do not store items of interest to children in cabinets above a range or on the backguard of a range – children climbing on the range to reach items could be seriously injured.
- **Proper Installation** – The range, when installed, must be electrically grounded in accordance with local codes or, in the absence of local codes, with the *National Electrical Code, ANSI/NFPA 70*. In Canada, the range must be electrically grounded in accordance with Canadian Electrical Code. Be sure the range is properly installed and grounded by a qualified technician.

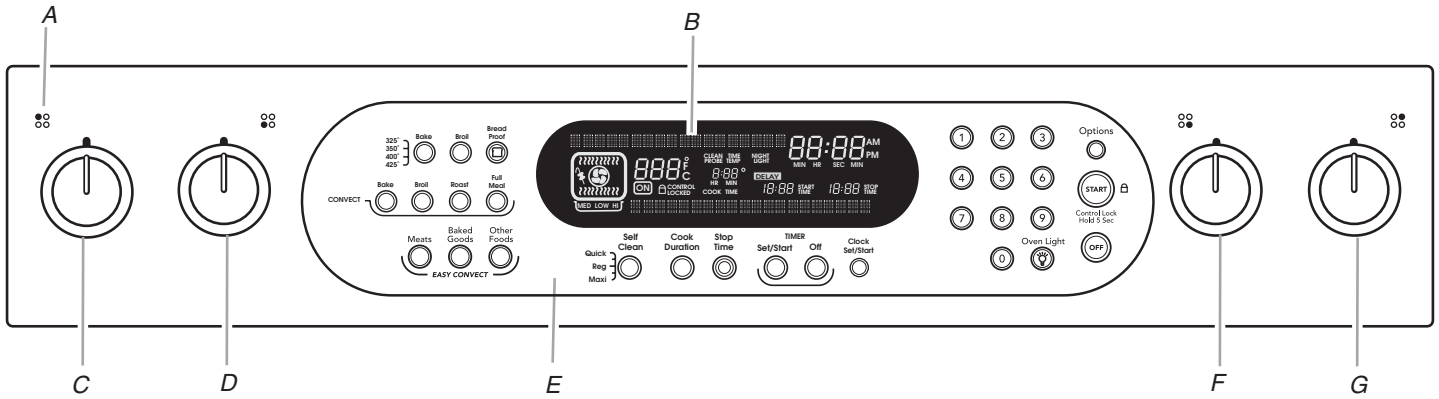
- This range is equipped with a three-prong grounding plug for your protection against shock hazard and should be plugged directly into a properly grounded receptacle. Do not cut or remove the grounding prong from this plug.
  - Disconnect the electrical supply before servicing the appliance.
  - Never Use the Range for Warming or Heating the Room.
  - Injuries may result from the misuse of appliance doors or drawers such as stepping, leaning, or sitting on the doors or drawers.
  - Maintenance – Keep range area clear and free from combustible materials, gasoline, and other flammable vapors and liquids.
  - Storage in or on the Range – Flammable materials should not be stored in an oven or near surface units.
  - Top burner flame size should be adjusted so it does not extend beyond the edge of the cooking utensil.
- For self-cleaning ranges –**
- Before Self-Cleaning the Oven – Remove broiler pan and other utensils. Wipe off all excessive spillage before initiating the cleaning cycle.

## SAVE THESE INSTRUCTIONS

# PARTS AND FEATURES

This manual covers several different models. The range you have purchased may have some or all of the items listed. The locations and appearances of the features shown here may not match those of your model.

## Control Panel for TripleTier™ Burner (Models KGRA806, KGRK806 and KGSA906)

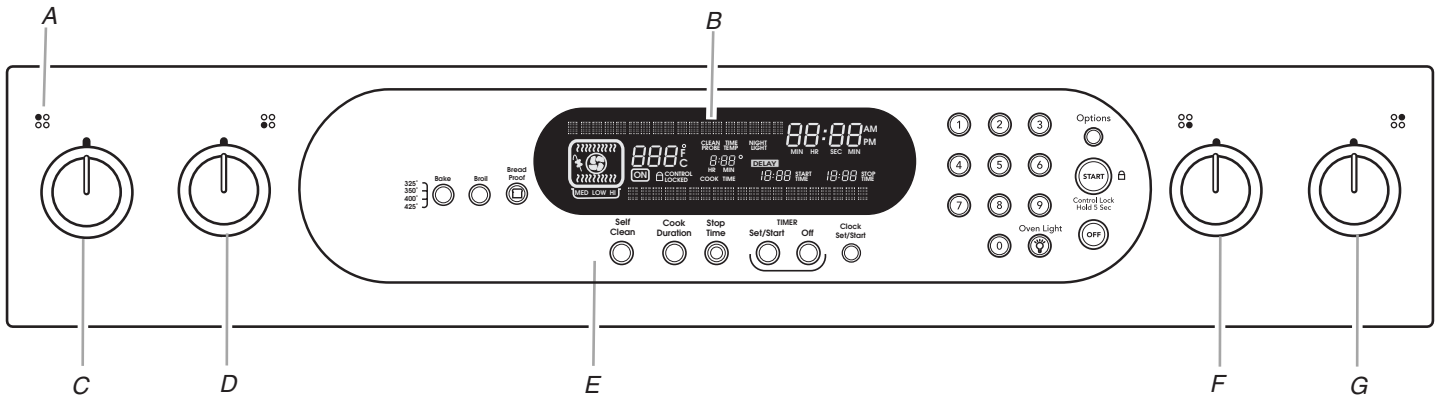


- A. Surface burner locator
- B. Oven display
- C. Left rear control knob (6000 BTU)

- D. Left front dual valve TripleTier™ flame burner knob (15,000 BTU)
- E. Oven control panel

- F. Right front control knob (6000 BTU)
- G. Right rear control knob (12,500 BTU)

## Control Panel for Standard Burner (Models KGRI801 and KGS1901)

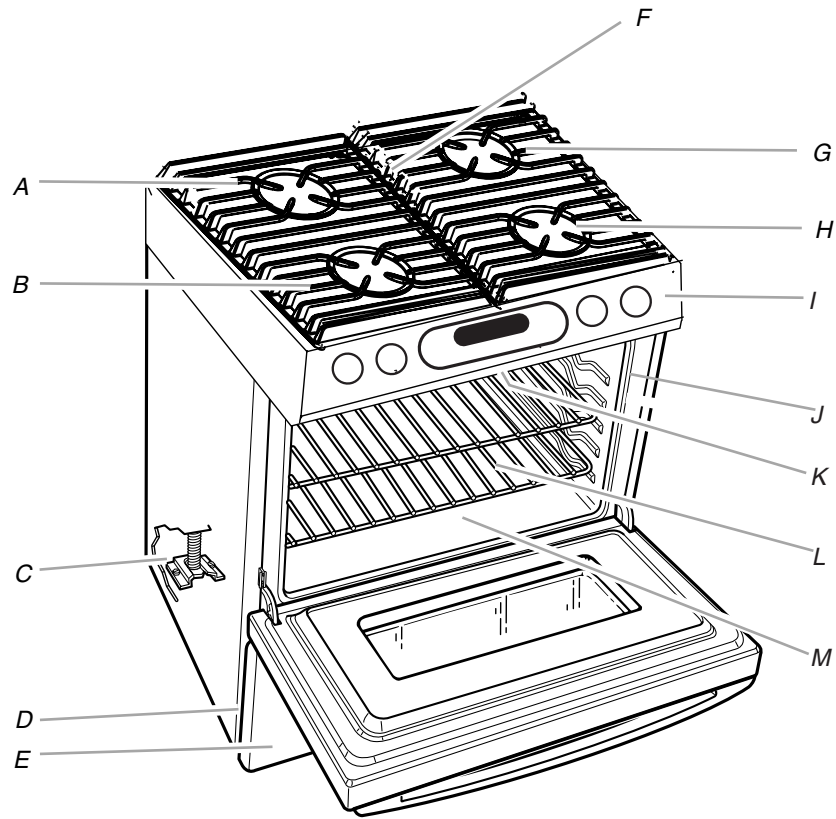


- A. Surface burner locator
- B. Oven display
- C. Left rear control knob (6000 BTU)

- D. Left front control knob (14,000 BTU)
- E. Oven control panel

- F. Right front control knob (6000 BTU)
- G. Right rear control knob (12,500 BTU)

## Range



- A. Left rear surface burner & grate
- B. Left front surface burner & grate (dual valve TripleTier™ flame burner with InstaWok™ Ring on some models)
- C. Anti-tip bracket

- D. Model and serial number (behind left side of drawer)
- E. Storage drawer
- F. Oven vent
- G. Right rear surface burner & grate
- H. Right front surface burner & grate
- I. Control panel

- J. Door gasket
- K. Automatic oven light switch
- L. Broil burner with electric element (not shown)
- M. Bake burner & cover (not shown)

- Parts and Features not shown**  
(on some models)
- Oven door window
  - Broiler pan and grid
  - Temperature probe
  - T.H.E.™ convection fan & element
  - Bakeware accessories
  - Half rack with removable insert

# COOKTOP USE

## Cookware

**IMPORTANT:** Do not leave empty cookware on a hot surface cooking area, element or surface burner.

Ideal cookware should have a flat bottom, straight sides, a well-fitting lid and the material should be of medium-to-heavy thickness.

Rough finishes may scratch the cooktop. Aluminum and copper may be used as a core or base in cookware. However, when used as a base it can leave permanent marks on the cooktop or grates.

Cookware material is a factor in how quickly and evenly heat is transferred, which affects cooking results. A nonstick finish has the same characteristics as its base material. For example, aluminum cookware with a nonstick finish will take on the properties of aluminum.

Griddles with nonstick surfaces should not be used under the broiler.

Use the following chart as a guide for cookware material characteristics.

COOKWARE	CHARACTERISTICS
<b>Aluminum</b>	<ul style="list-style-type: none"><li>■ Heats quickly and evenly.</li><li>■ Suitable for all types of cooking.</li><li>■ Medium or heavy thickness is best for most cooking tasks.</li></ul>
<b>Cast iron</b>	<ul style="list-style-type: none"><li>■ Heats slowly and evenly.</li><li>■ Good for browning and frying.</li><li>■ Maintains heat for slow cooking.</li></ul>
<b>Ceramic or Ceramic glass</b>	<ul style="list-style-type: none"><li>■ Follow manufacturer's instructions.</li><li>■ Heats slowly, but unevenly.</li><li>■ Ideal results on low to medium heat settings.</li></ul>
<b>Copper</b>	<ul style="list-style-type: none"><li>■ Heats very quickly and evenly.</li></ul>
<b>Earthenware</b>	<ul style="list-style-type: none"><li>■ Follow manufacturer's instructions.</li><li>■ Use on low heat settings.</li></ul>
<b>Porcelain enamel-on-steel or cast iron</b>	<ul style="list-style-type: none"><li>■ See stainless steel or cast iron.</li></ul>
<b>Stainless steel</b>	<ul style="list-style-type: none"><li>■ Heats quickly, but unevenly.</li><li>■ A core or base of aluminum or copper on stainless steel provides even heating.</li></ul>

## Home Canning

When canning for long periods, alternate the use of surface cooking areas, elements or surface burners between batches. This allows time for the most recently used areas to cool.

- Center the canner on the grate or largest surface cooking area or element. Canners should not extend more than 1/2" (1.25 cm) outside the cooking area.
- Do not place canner on two surface cooking areas, elements or surface burners at the same time.
- For more information, contact your local U.S. Government Agricultural Department Extension Office. In Canada, contact Agriculture Canada. Companies that manufacture home canning products can also offer assistance.

## Cooktop Controls

### **WARNING**



#### **Fire Hazard**

**Do not let the burner flame extend beyond the edge of the pan.**

**Turn off all controls when not cooking.**

**Failure to follow these instructions can result in death or fire.**

**IMPORTANT:** Your cooktop is factory-set for use with natural gas. If you wish to use L.P. Gas, an L.P. Gas Conversion Kit is included with your new range. Models with the TripleTier™ Flame Burner will include a TripleTier™ L.P. Gas Conversion Kit and a kit for standard ranges. See "Installation Instructions" for details on making this conversion.

Electric igniters automatically light the surface burners when control knobs are turned to LITE.

Before setting a control knob, place filled cookware on the grate. Do not operate a burner while using empty cookware or without any cookware on the grate.

**NOTE:** Visually check that the burner has lit. If the burner does not ignite, listen for the clicking sound. If you do not hear the igniter click, TURN THE BURNER OFF. Check for a tripped circuit breaker or blown fuse.

Check that the control knob is pressed completely down on the valve shaft. If the spark igniter still does not operate, call a trained repair specialist.

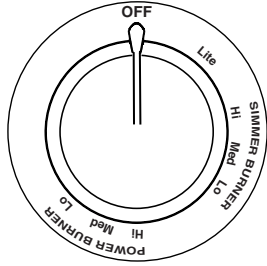
Proper grounding and polarity are necessary for correct operation of the electric ignition system. If the wall receptacle does not provide correct polarity, the igniters will become grounded and occasionally click, even after the burner has ignited. Contact a trained repair specialist to check the wall receptacle to see whether it is wired with the correct polarity.

**REMEMBER:** When cooktop is in use, the entire cooktop area may become hot.

#### **Power failure**

In case of prolonged power failure, the surface burners can be lighted manually. Hold a lit match near a burner and turn knob counterclockwise to LITE. After burner lights, turn knob to setting.

## TripleTier™ Burner with High Power Settings and Low Power Simmer Settings (on some models)



**NOTE:** Settings are marked on the control knob.

The TripleTier™ Flame Burner (15,000 BTU [British Thermal Units]) can provide the highest heat setting and 3 levels of simmer control. It is ideal for cooking large quantities of food or liquid and using large pots and pans.

### High Power Settings

#### To Set:

1. Push in and turn knob counterclockwise to LITE.  
All surface burners will click. Only the simmer burner with the control knob turned to Lite will produce a flame.
2. Push in and turn knob counterclockwise to POWER BURNER HI. All three rings will produce a flame.
3. Turn knob anywhere between POWER BURNER HI and POWER BURNER LO.

Use the following chart as a guide when setting Power Burner heat levels.

HIGH POWER SETTINGS	RECOMMENDED USE
HI	<ul style="list-style-type: none"> <li>■ Start food cooking.</li> <li>■ Bring liquid to a boil.</li> <li>■ Wok cooking.</li> </ul>
MED	<ul style="list-style-type: none"> <li>■ Maintain a slow boil.</li> <li>■ Fry poultry or meat.</li> <li>■ Cook pudding, sauce, icing or gravy.</li> </ul>
LO	<ul style="list-style-type: none"> <li>■ Fry or sauté foods.</li> <li>■ Hold a slow boil.</li> </ul>

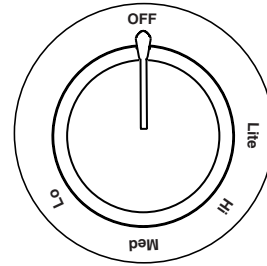
### Simmer Settings

1. Push in and turn knob counterclockwise to Lite.  
All surface burners will click. Only the simmer burner with the control knob turned to LITE will produce a flame.
2. Push in and turn knob counterclockwise anywhere between SIMMER BURNER HI and SIMMER BURNER LO.

Use the following chart as a guide when setting Simmer Burner heat levels.

SIMMER SETTINGS	RECOMMENDED USE
LITE	<ul style="list-style-type: none"> <li>■ Light the burner.</li> </ul>
HI	<ul style="list-style-type: none"> <li>■ Cooking thicker foods such as tomato sauce, chili.</li> <li>■ Stew or steam foods.</li> </ul>
MED	<ul style="list-style-type: none"> <li>■ Cooking medium-density foods such as cream soups, sauces and gravy.</li> </ul>
LO	<ul style="list-style-type: none"> <li>■ Keep food warm.</li> <li>■ Melt chocolate or butter.</li> <li>■ Simmer.</li> </ul>

## Large, Medium and Small Burner Controls



**NOTE:** Settings are marked on the control knob.

All of the burner controls provide a range of cooking settings from HI to LO.

The large standard burner (14,000 BTU [British Thermal Units]) provides the highest heat setting, and is ideal for cooking large quantities of food or liquid and using large pots and pans.

The medium burner (12,500 BTU) provides the high heat setting, and is ideal for cooking medium-sized quantities of food or liquid and using medium-sized pots and pans.

The small burners (6,000 BTU) are ideal for small quantities of food or liquid and using small pots and pans. The lower power allows more accurate simmer control at the lowest setting.

#### To Set:

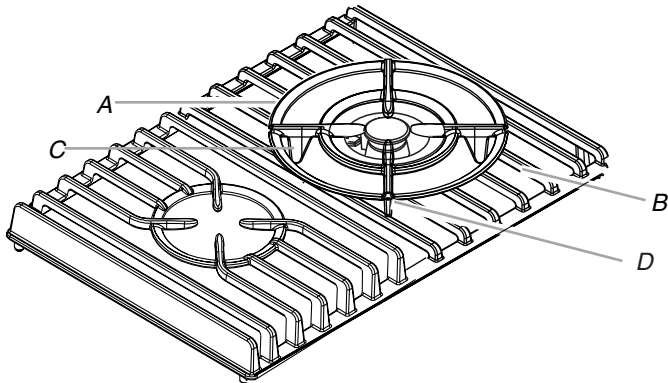
1. Push in and turn knob counterclockwise to LITE.  
All surface burners will click. Only the burner with the control knob turned to LITE will produce a flame.
2. Turn knob anywhere between HI and LO.

Use the following chart as a guide when setting heat levels.

SETTING	RECOMMENDED USE
HI	<ul style="list-style-type: none"> <li>■ Bring liquid to a boil.</li> </ul>
MED-HI	<ul style="list-style-type: none"> <li>■ Hold a rapid boil.</li> <li>■ Quickly brown or sear food.</li> </ul>
MED	<ul style="list-style-type: none"> <li>■ Maintain a slow boil.</li> <li>■ Fry poultry or meat.</li> </ul>
MED-LO	<ul style="list-style-type: none"> <li>■ Cook pudding, sauce, icing or gravy.</li> <li>■ Stew or steam food.</li> </ul>
LO	<ul style="list-style-type: none"> <li>■ Keep food warm.</li> <li>■ Melt chocolate or butter.</li> <li>■ Simmer.</li> </ul>



## TripleTier™ Flame Burner with InstaWok™ Ring



- A. InstaWok™ Ring
- B. Grid base
- C. Wok supports pointing down (for use with flat-bottomed cookware)
- D. Support guides

The TripleTier™ Flame Burner with InstaWok™ Ring is a multifunction burner that produces everything from a rapid boil down to a low simmer.

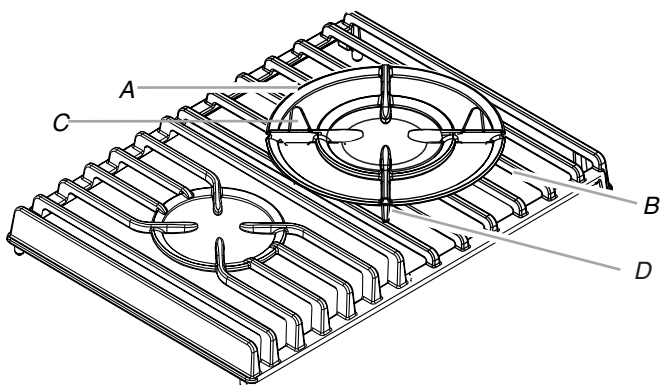
The TripleTier™ Flame Burner with InstaWok™ Ring is functioned by a dual valve control knob, which controls two separate burners. See “TripleTier™ Burner with High Power Settings and Low Power Simmer Settings” section.

The InstaWok™ Ring supports 12" to 14" (30.5 cm to 35.6 cm) Wok pans and can be flipped over to become a flat grate for use with flat-bottomed cookware.

**IMPORTANT:** The InstaWok™ Ring must be in place when using the TripleTier™ Flame Burner.

### To Use the InstaWok™ Ring:

1. Check that the control knob is in the OFF position and the grate is completely cool before handling.
2. Remove grate from cooktop and flip the grate over so that the wok supports are pointing up.



- A. InstaWok™ Ring
- B. Grid base
- C. Wok supports pointing up
- D. Support guides

3. Place the wok Ring within the guides.

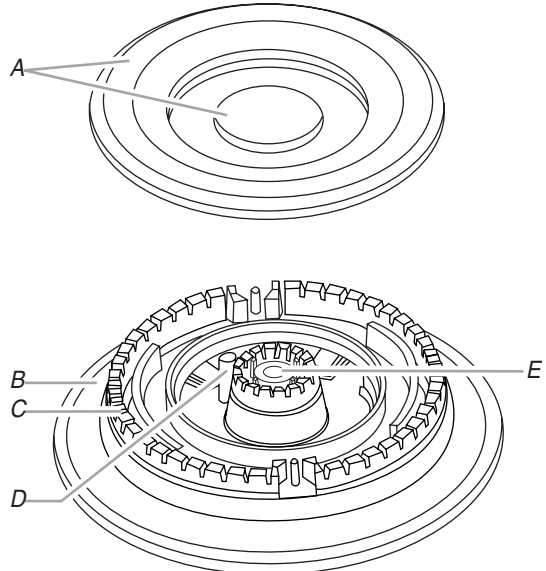
## Surface Burners

**IMPORTANT:** Do not obstruct the flow of combustion and ventilation air around the burner grate edges. Before cleaning, make sure all controls are off and the oven and cooktop are cool. Do not use oven cleaners, bleach or rust removers.

### Burner Cap Alignment

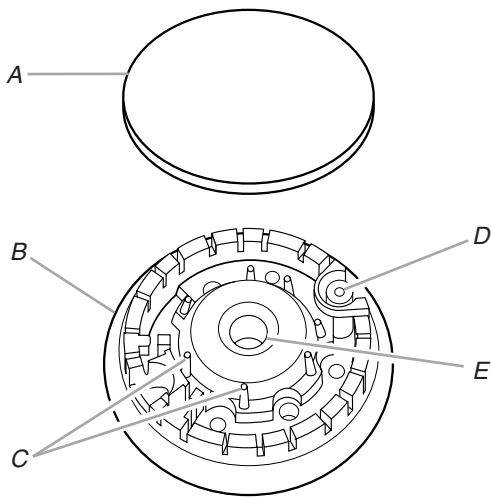
Always keep the burner cap in place when using a surface burner. A clean burner cap will help prevent poor ignition and uneven flames. Always clean the burner cap after a spillover and routinely remove and clean the caps according to the “General Cleaning” section.

### TripleTier™ Flame Burner



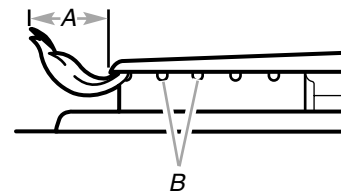
- A. TripleTier™ Flame Burner Caps
- B. Burner base
- C. Alignment pins
- D. Igniter
- E. Gas tube opening

## Standard Burner



- A. Burner cap
- B. Burner base
- C. Alignment pins
- D. Igniter
- E. Gas tube opening

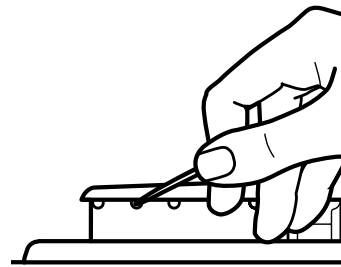
## Standard Burner



- A. 1-1/2" (25-38 mm)
- B. Burner ports

### To Clean:

1. Remove the burner cap from the burner base and clean according to "General Cleaning" section.
2. Clean the gas tube opening with a damp cloth.
3. Clean clogged burner ports with a straight pin as shown. Do not enlarge or distort the port. Do not use a wooden toothpick. If the burner needs to be adjusted, contact a trained repair specialist.



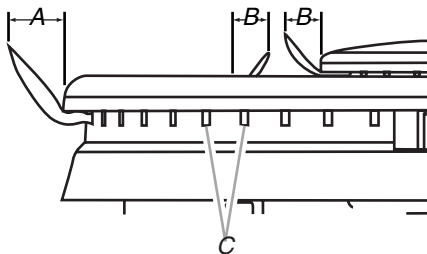
### Gas tube opening

Gas must flow freely throughout the gas tube opening for the burner to light properly. Keep this area free of soil and do not allow spills, food, cleaning agents or any other material to enter the gas tube opening. Protect it from spillovers by always using a burner cap.

### Burner ports

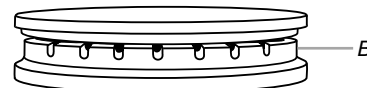
Check burner flames occasionally for proper size and shape as shown above. A good flame is blue in color, not yellow. Keep this area free of soil and do not allow spills, food, cleaning agents or any other material to enter the burner ports.

### TripleTier™ Flame Burner



- A. 3/4" (19.1 mm)
- B. 3/8" (9.53 mm)
- C. Burner ports

4. Replace the burner cap, making sure the alignment pins on the cap are properly aligned with the burner base.

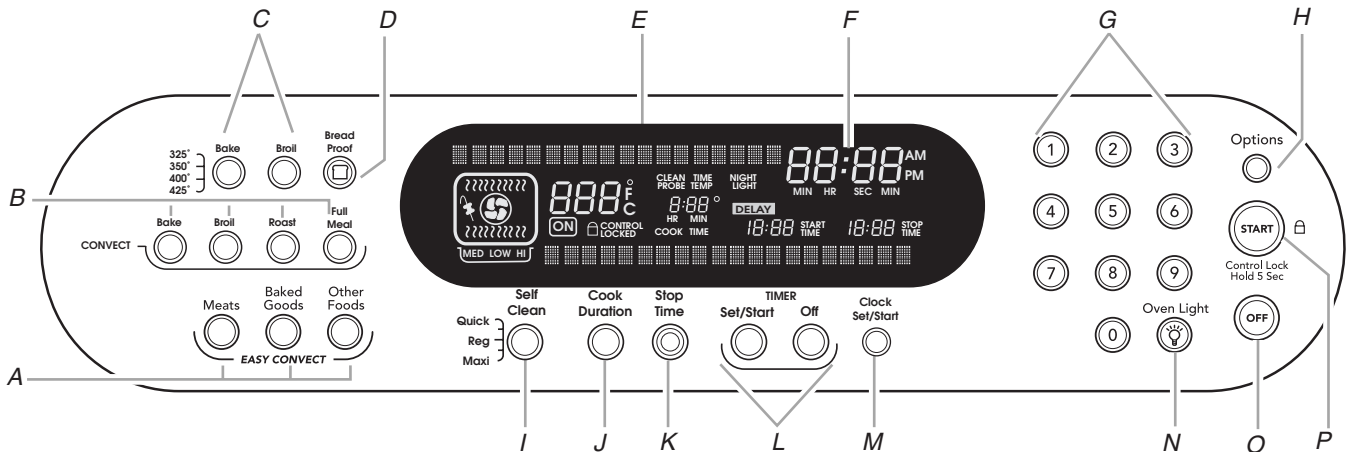


- A. Incorrect
- B. Correct

5. Turn on the burner. If the burner does not light, check cap alignment. If the burner still does not light, do not service the sealed burner yourself. Contact a trained repair specialist.

# ELECTRONIC OVEN CONTROL

## Style 1 (Models KGRA806, KGRK806 and KGSA906)

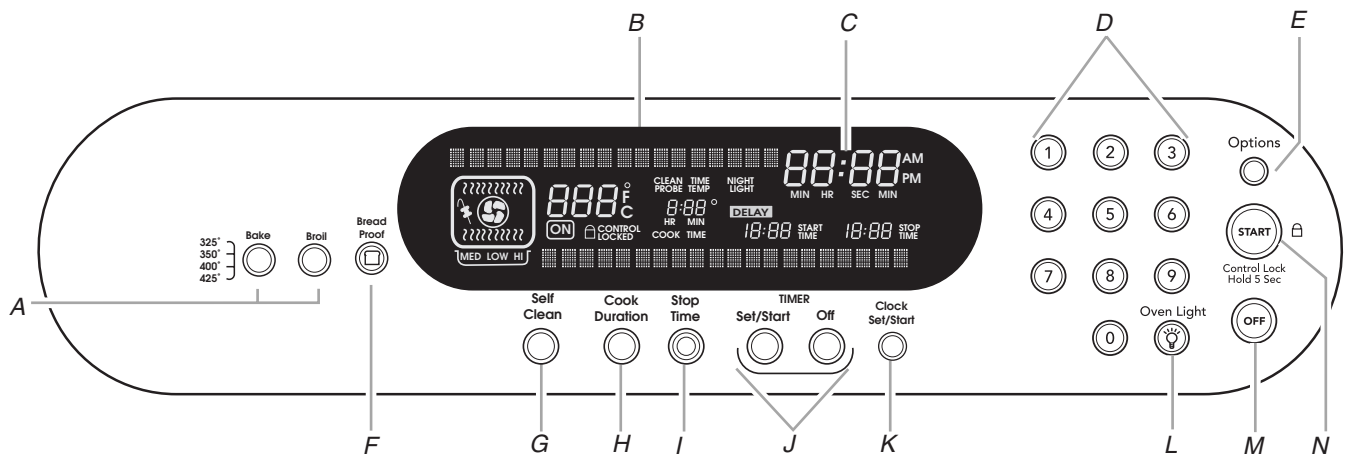


- A. EASY CONVECT™ conversion
- B. Convection oven settings
- C. Oven settings
- D. Proof bread setting
- E. Oven display
- F. Clock/time of day display

- G. Number pads
- H. Options selection pad
- I. Self-clean
- J. Cook time (length of cooking time)
- K. Stop time

- L. Timer
- M. Clock set/start
- N. Oven light ON/OFF
- O. Off
- P. Start (control lock)

## Style 2 (Models KGRI801 and KGS1901)



- A. Oven settings
- B. Oven display
- C. Clock/time of day display
- D. Number pads

- E. Options selection pad
- F. Proof bread setting
- G. Self-clean
- H. Cook time (length of cooking time)
- I. Stop time

- J. Timer
- K. Clock set/start
- L. Oven light ON/OFF
- M. Off
- N. Start (control lock)

## Electronic Control Pads

When pressing any control pad function on the Electronic Oven Control, use the pad of your finger to press the desired function. Hold down the pad a few seconds, or until the desired function appears in the display.

When entering multiple functions within one setting, pause briefly between each control pad command. If a command pad is pressed several times repeatedly, the pad may briefly stop working. Wait a few seconds, and the pad should function again as normal.

## Oven Displays

When the oven is in use, this display shows the oven temperature, heat source(s) and start time. During Timed Cooking, this display also shows a timed countdown and the stop time (if entered).

If "Err" appears on the display, an invalid pad was pressed. Press OFF and retry your entry. When the oven is not in use, this display is blank.

---

## Start

The START pad begins any oven function except the Timer, Control Lock and Sabbath Mode. If not pressed within 5 seconds after pressing a pad, "START?" will appear on the oven display as a reminder. If not pressed within 5 minutes after pressing a pad, the oven display will return to inactive mode (blank) and the programmed function will be canceled.

---

## Control Lock

The Control Lock shuts down the control panel pads to prevent unintended use of the oven. The Control Lock is preset unlocked, but can be locked.

When the control is locked, only the TIMER SET/START and TIMER OFF pads will function.

**To Lock/Unlock Control:** Before locking, make sure the oven, the Timer and Timed Cooking are off. Press and hold the START pad for 5 seconds until "CONTROL LOCK" appears on the display. Repeat to unlock and remove "CONTROL LOCK" from the display.

---

## Off

The OFF pad stops any oven function except for the Clock, Timer and Control Lock.

---

## Clock/Timer Display

This is a 12-hour clock.

1. Press CLOCK SET/START.
  2. Press number pads to set time of day.
  3. Press CLOCK SET/START
- 

# OPTIONS

---

## Options Selection Pad

The OPTIONS selection pad allows you to access special functions within the Electronic Oven Control that allow you to customize the product to your needs. These special functions allow you to change the oven temperature between Fahrenheit and Celsius, turn the audible signals and prompts on and off, and adjust the oven calibration. The Sabbath Mode is also set using the OPTIONS selection pad.

To Use: Press OPTIONS. The oven display will scroll through the various options, starting at 1 and ending in 0. You can also press the OPTIONS selection pad and number pad to quickly access the desired hidden function.

OPTIONS	SPECIAL FUNCTION
1	Fahrenheit and Celsius conversion
2	Tones On/Off
3	Tones High/Low
4	Cooking Time Completion Tones On/Off
6	Oven temperature calibration
7	Sabbath Mode

---

## Fahrenheit and Celsius

Press options, then 1 on the keypad for Celsius. Repeat to convert back to Fahrenheit.

---

## Tones

Tones are audible signals, indicating the following:

### One beep

- Function has been entered

### Three beeps

- Invalid pad press

### Timer Completion Tones

Three chimes occur when the timer reaches zero. This can be when using the timer for functions other than cooking.

### Cooking Time Completion Tones

Three beeps indicate the end of a cooking cycle.

**To turn On/Off:** Press OPTIONS, and then 4 to turn ON. Press OPTIONS, and then 4 to turn OFF.

### Preheat Completion Tone

One chime indicates a preheat cycle has been completed.

### All Tones

All tones are preset ON, but can be turned OFF. To turn tones ON, press the options key, then press keypad 2. To turn tones OFF, press the options key again, and then press keypad 2.

### Tone Volume

The volume is preset at high, but can be changed to low.

**To Change:** Press OPTIONS, and then 3 to lower the volume. Press options 3 to raise the volume of the tones.

---

## Oven Temperature Calibration

**IMPORTANT:** Do not use a thermometer to measure oven temperature because opening the oven door during cycling may give incorrect readings.

The oven provides accurate temperatures; however, it may cook faster or slower than your previous oven, so the temperature calibration can be adjusted. It can be changed in Fahrenheit or Celsius.

A minus sign means the oven will be cooler by the displayed amount. The absence of a sign means the oven will be warmer by the displayed amount. Use the following chart as a guide.

ADJUSTMENT °F (AUTOMATIC °C CHANGE)	COOKS FOOD
10°F (5°C)	...a little more
20°F (10°C)	...moderately more
30°F (15°C)	...much more
-10°F (-5°C)	...a little less
-20°F (-10°C)	...moderately less
-30°F (-15°C)	...much less

---

### To Adjust Oven Temperature Calibration:

1. Press OPTIONS, and then 6 to set the calibration.
2. Press 3 to increase the temperature, or press 6 to decrease the temperature.
3. Press START to end calibration.

---

## Timer

The Timer can be set in minutes and seconds or hours and minutes and counts down the set time.

**NOTE:** The Timer does not start or stop the oven.

1. Press TIMER SET/START.

Press again to switch from MIN/SEC and HR/MIN.

If no action is taken after 4 minutes, the display will return to the time of day mode.

2. Press the number pads to set length of time.

3. Press TIMER SET/START to start the timer.

If not pressed within 4 minutes, the display will return to the time of day mode and the programmed function will be canceled.

When the set time ends, timer completion tones will sound, then reminder tones will sound every minute.

4. Press TIMER OFF anytime to cancel the Timer and/or stop reminder tones.

Remember, if OFF is pressed, the oven will turn off.

5. The time can be reset during the countdown by repeating the above steps.
- 

## OVEN USE

Odors and smoke are normal when the oven is used the first few times, or when it is heavily soiled.

**IMPORTANT:** The health of some birds is extremely sensitive to the fumes given off. Exposure to the fumes may result in death to certain birds. Always move birds to another closed and well ventilated room.

---

## Aluminum Foil

**IMPORTANT:** Do not line the oven bottom with any type of foil, liners or cookware because permanent damage will occur to the oven bottom finish.

- On those models with bottom vents, do not block or cover the oven bottom vents.
  - Do not cover entire rack with foil because air must be able to move freely for best cooking results.
  - To catch spills, place foil on rack below dish. Make sure foil is at least ½" (1.25 cm) larger than the dish and that it is turned up at the edges.
- 

---

## Bakeware

The bakeware material affects cooking results. Follow manufacturer's recommendations and use the bakeware size recommended in the recipe. Use the following chart as a guide.

BAKEWARE/ RESULTS	RECOMMENDATIONS
<b>Light colored aluminum</b> <ul style="list-style-type: none"><li>■ Light golden crusts</li><li>■ Even browning</li></ul>	<ul style="list-style-type: none"><li>■ Use temperature and time recommended in recipe.</li></ul>
<b>Dark aluminum and other bakeware with dark, dull and/or nonstick finish</b> <ul style="list-style-type: none"><li>■ Brown, crisp crusts</li></ul>	<ul style="list-style-type: none"><li>■ May need to reduce baking temperatures 25°F (15°C).</li><li>■ Use suggested baking time.</li><li>■ For pies, breads and casseroles, use temperature recommended in recipe.</li><li>■ Place rack in center of oven.</li></ul>
<b>Insulated cookie sheets or baking pans</b> <ul style="list-style-type: none"><li>■ Little or no bottom browning</li></ul>	<ul style="list-style-type: none"><li>■ Place in the bottom third of oven.</li><li>■ May need to increase baking time.</li></ul>
<b>Stainless steel</b> <ul style="list-style-type: none"><li>■ Light, golden crusts</li><li>■ Uneven browning</li></ul>	<ul style="list-style-type: none"><li>■ May need to increase baking time.</li></ul>
<b>Stoneware</b> <ul style="list-style-type: none"><li>■ Crisp crusts</li></ul>	<ul style="list-style-type: none"><li>■ Follow manufacturer's instructions.</li></ul>
<b>Ovenproof glassware, ceramic glass or ceramic</b> <ul style="list-style-type: none"><li>■ Brown, crisp crusts</li></ul>	<ul style="list-style-type: none"><li>■ May need to reduce baking temperatures 25°F (15°C).</li></ul>

---

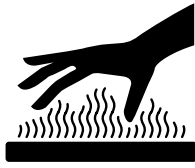
## Meat Thermometer

On models without a temperature probe, always rely on a meat thermometer to determine doneness of meat and poultry. The internal temperature, not appearance, is what counts. A meat thermometer is not supplied with this appliance.

- Insert the thermometer into the center of the thickest portion of the meat or inner thigh or breast of poultry. The tip of the thermometer should not touch fat, bone or gristle.
- After reading the thermometer once, push it into the meat ½" (1.25 cm) more and read again. If the temperature drops, cook the meat or poultry longer.
- Check all meat in 2 or 3 places.

## Temperature Probe (on some models)

### **⚠ WARNING**



#### **Burn Hazard**

**Use an oven mitt to remove temperature probe.**

**Do not touch broil element.**

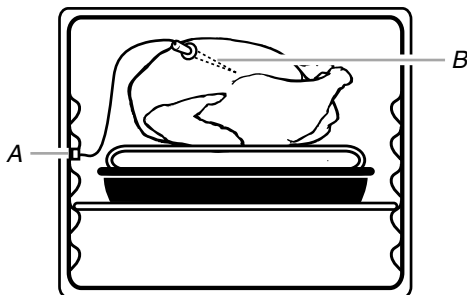
**Failure to follow these instructions can result in burns.**

The temperature probe accurately measures the internal temperature of meat, poultry and casseroles with liquid and should be used in determining the doneness of meat and poultry. It should not be used during maxi and econo broiling, convection broiling or proofing bread.

Always unplug and remove the temperature probe from the oven when removing food.

#### **To Use:**

Before using, insert the probe into the center of the thickest portion of meat or into the inner thigh or breast of poultry, away from fat or bone at an angle as shown in following diagram. Place food in oven and connect the temperature probe to the jack. Keep probe as far away from heat source as possible. Close oven door.



A. Temperature probe jack  
B. Temperature probe

1. Press the number pads to enter a probe temperature other than 160°F (71°C). The probe temperature can be adjusted between 130°F and 190°F (54°C and 88°C).
2. Press BAKE, CONVECT BAKE or CONVECT ROAST.  
Press number pads to enter a temperature other than the one displayed.

3. Press START.

The set oven temperature will appear on the oven display throughout cooking.

“Lo” will appear as the probe temperature until the internal temperature of the food reaches 130°F (54°C). Then the display will show the temperature increasing in 1°F increments.

When the set probe temperature is reached, the oven will shut off automatically and “End” will appear on the oven display.

If enabled, end-of-cycle tones will sound.

4. Reinsert probe in another area to confirm temperature.
5. Press OFF or open the oven door to clear the display.

#### **To Change Probe Temperature, Oven Setting:**

Repeat previous steps.

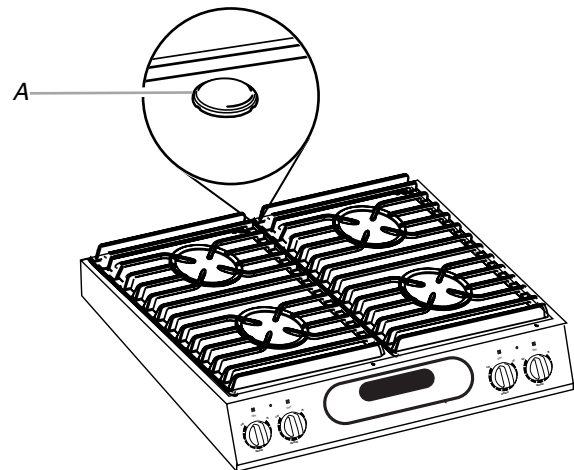
If OFF is pressed anytime when changing the probe temperature, the set function will automatically be canceled and the use of the temperature probe function will need to be reset.

To reset after OFF has been pressed, unplug the probe from the probe jack and plug back in. Close the oven door and repeat previous steps.

After cooking, unplug the probe and remove food from oven. The probe symbol will remain lit until the probe is unplugged from the probe jack.

See “General Cleaning” section to clean probe.

## Oven Vent



A. Oven vent cap

The oven vent should not be blocked or covered since it allows the release of hot air and moisture from the oven. Blocking or covering the vent will cause poor air circulation, affecting cooking and cleaning results. Do not set plastics, paper or other items that could melt or burn near the oven vent.

## Positioning Racks and Bakeware

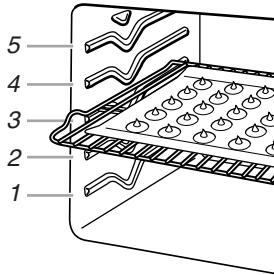
**IMPORTANT:** Do not place food or bakeware directly on the oven door or bottom. Permanent damage will occur to the porcelain finish.

### RACKS

#### NOTES:

- Position racks before turning the oven on.
- Do not position racks with bakeware on them.
- Make sure racks are level.

To move a rack, pull it out to the stop position, raise the front edge, then lift out. Use the following illustration and charts as a guide.

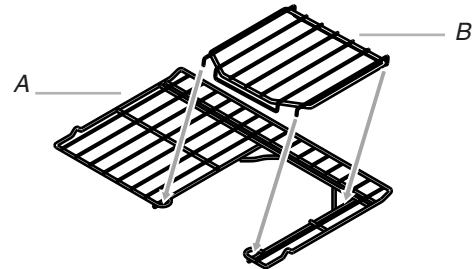


### BAKEWARE

To cook food evenly, hot air must be able to circulate. Allow 1" (2.5 cm) of space around bakeware and oven walls. Use the following chart as a guide.

NUMBER OF PAN(S)	POSITION ON RACK
1	Center of rack.
2	Side by side or slightly staggered.
3 or 4	Opposite corners on each rack. Make sure that no bakeware piece is directly over another.

### Oven Half-Rack with Removable Insert (on some models)



A. Removable Insert  
B. Oven Half-Rack

#### Traditional Cooking

FOOD	RACK POSITION
Frozen pies, large roasts, turkeys, angel food cakes	1 or 2
Bundt cakes, most quick breads, yeast breads, casseroles, meats	2
Cookies, biscuits, muffins, cakes, nonfrozen pies	2 or 3

#### Convection Cooking

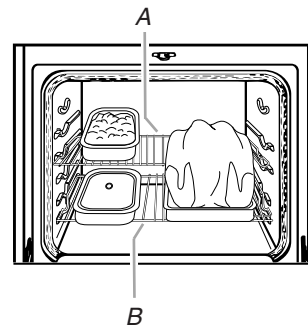
OVEN SETTING	NUMBER OF RACKS USED	RACK POSITION(S)
Convection Bake	1	1, 2 or 3
Convection Bake	2	2 and 4
Convection Bake	3	1, 3 and 5
Convection Roast	1	1, 2 or 3
Convection Broil	1	3 or 4

The Oven Half-Rack with Removable Insert maximizes space. When the 2 racks are attached, they make a full rack. The insert can also be removed to provide room for large items such as a turkey or casseroles.

The insert can also be used on the counter for a cooling rack. Do not place more than 25 lbs (11.3 kg) on the oven half-rack or on the removable insert piece.

Before Self-Cleaning, remove the Oven Half-Rack with Removable Insert to keep it shiny and easy to slide. See the "General Cleaning" section in the Use and Care Guide for more information.

#### To Use Oven Half-Rack with Removable Insert:



A. Oven Half-Rack (Removable Insert not shown)  
B. Full Oven Rack

1. Place a full rack on position 1 or 2, and the half rack on position 3 or 4.
2. Place large items on the right-hand side of the full rack.
3. Place deeper, covered dishes on the left side of the full rack.
4. Place shallow dishes on the half rack.
5. When finished cooking, carefully remove items.

---

## Bake

The BAKE function is ideal for baking, roasting or heating casseroles.

During baking or roasting, the bake burner and broil element will cycle on and off in intervals to maintain oven temperature.

If the oven door is opened during baking or roasting, the broil element will turn off immediately and the bake burner will turn off in 30 seconds to 2 minutes. They will come back on once the door is closed.

### To Bake or Roast:

Before baking and roasting, position racks according to the "Positioning Racks and Bakeware" section. When roasting, it is not necessary to wait for the oven to preheat before putting food in, unless recommended in the recipe.

1. Press BAKE once for 325°F (163°C), or press the number pads to enter a temperature. Each subsequent press of BAKE will increase the temperature by 25 degrees.

2. Press START.

"Lo" will appear on the display if the actual oven temperature is under 170°F (77°C).

"Preheating" will show on the oven display after a temperature of 170°F (77°C) has been reached. The temperature will be shown on the display until reaching the set point.

When the set temperature is reached, if on, 1 tone will sound.

3. Press OFF when finished cooking.
- 

## Broil

This unit has both a gas burner and an electric halo element that work together to enhance broiling performance on the broiler pan and grid provided.

- Use only the broiler pan and grid provided with the range. It is designed to drain juices and help prevent spatter and smoke.
- For proper draining, do not cover the grid with foil. The bottom of the pan may be lined with aluminum foil for easier cleaning.
- Trim excess fat to reduce spattering. Slit the remaining fat on the edges to prevent curling.
- Pull out oven rack to stop position before turning or removing food. Use tongs to turn food to avoid the loss of juices. Very thin cuts of fish, poultry or meat may not need to be turned.
- After broiling, remove the pan from the oven when removing the food. Drippings will bake on the pan if left in the heated oven, making cleaning more difficult.

Broiling uses direct radiant heat to cook food. Before broiling, position rack according to Broiling chart. It is not necessary to preheat the oven before putting food in unless recommended in the recipe. Position food on grid in the broiler pan, then place it in the center of the oven rack.

### To Broil:

1. Close oven door.
2. Press BROIL.
3. Press START.
4. Press OFF when finished.

## Variable Temperature Broiling

Changing the temperature when Variable Temperature Broiling allows more precise control when cooking. The lower the temperature, the slower the cooking. Thicker cuts and unevenly shaped pieces of meat, fish and poultry may cook better at lower broiling temperatures.

### To Vari Broil:

1. Close oven door.
2. Press BROIL.
3. Press the number pads to set a temperature between 300°F and 500°F (149°C and 260°C).
4. Press START.

The temperature can be changed after this step. START does not need to be pressed again.

5. Press OFF when finished.

## BROILING CHART

For best results, place food 3" (7 cm) or more from the broil element. Times are guidelines only and may need to be adjusted for individual tastes. Recommended rack positions are numbered from the bottom (1) to 4. For diagram, see the "Positioning Racks and Bakeware" section.

FOOD	RACK POSITION	TEMP.	TOTAL TIME MIN.
<b>Steak</b> 1" (2.5 cm) thick			
medium rare	4	500°F	14
medium	4	(260°C)	16
well-done	4		18
<b>Steak</b> 1½" (3.8 cm) thick			
rare	4	500°F	23
medium	4	(260°C)	28
<b>Ground meat patties*</b> 1" (2.5 cm) thick			
well-done	4	500°F (260°C)	16-18
<b>Pork chops</b> 1" (2.5 cm) thick			
	4	450°F (232°C)	25-28
<b>Ham slice [precooked]</b> ½" (1.25 cm) thick			
1" (2.5 cm) thick	4 4	500°F (260°C)	10-12 20-22
<b>Frankfurters</b>			
	4	500°F (260°C)	8
<b>Lamb chops</b> 1" (2.5 cm) thick			
	4	400°F (204°C)	18-20
<b>Chicken</b> bone-in pieces			
	3	500°F (260°C)	32
<b>Fish</b> ½" (1.25 cm) thick			
1" (2.5 cm) thick	3 3	350°F (177°C)	20 20-22

\*Place up to 9 patties, equally spaced, on broiler grid.



## Convection Cooking (on some models)

In a convection oven, the fan-circulated hot air continually distributes heat more evenly than the natural movement of air in a standard thermal oven. This movement of hot air maintains a consistent temperature throughout the oven, cooking foods more evenly, crisping surfaces while sealing in moisture and yielding crustier breads.

Most foods can be cooked by lowering cooking temperatures 25°F to 50°F (14°C to 28°C) and cooking time can be shortened by as much as 30 percent, especially for large turkeys and roasts.

- It is important not to cover foods so that surface areas remain exposed to the circulating air, allowing browning and crisping.
- Keep heat loss to a minimum by only opening the oven door when necessary.
- Choose cookie sheets without sides and roasting pans with lower sides to allow air to move freely around the food.
- Test baked goods for doneness a few minutes before the minimum cooking time with an alternative method such as a toothpick.
- Use a meat thermometer or the temperature probe to determine the doneness of meats and poultry. Check the temperature of pork and poultry in 2 or 3 places.

## EASY CONVECT™ Conversion (on some models)

Convection cooking temperatures and times differ from those of standard cooking. Depending upon the selected category, EASY CONVECT™ conversion automatically may reduce the standard recipe temperature and/or time you input for convection cooking.

Foods are grouped into 3 general categories. Choose the category most appropriate for the food to be cooked. To ensure optimal cooking results, the oven will prompt a food check at the end of a non-delayed cook time. Use the following chart as a guide.

SETTING	FOODS
<b>MEATS</b>	<b>Baked potatoes, Chicken:</b> whole and pieces <b>Meat loaf, Roasts:</b> pork, beef and ham (Turkey and large poultry are not included because their cook time varies.)
<b>BAKED GOODS</b>	<b>Biscuits, Breads:</b> quick and yeast <b>Cakes:</b> layer and angel food <b>Casseroles:</b> including frozen entrées and soufflés, cookies, fish
<b>OTHER FOODS</b>	<b>Convenience foods:</b> french fries, nuggets, fish sticks, pizza <b>Pies:</b> fruit and custard

### To Use:

Before using convection temperature conversion for BAKED GOODS and OTHER FOODS, allow the oven to preheat before placing food in the oven.

1. Press MEATS, BAKED GOODS or OTHER FOODS.
2. Press number pads to enter standard cook temperature.
3. Press number pads to enter standard cook time.
4. Press START.  
“CHECK FOOD AT” and the stop time will appear on the oven display.  
When the stop time is reached, end-of-cycle tones will sound if enabled. Open the door and check food.
5. Press OFF to cancel the reminder tones.

## Convection Bake (on some models)

Convection baking can be used for baking delicate cakes and pastries, as well as foods on multiple racks. It is helpful to stagger items on the racks to allow a more even flow of heat. If the oven is full, extra cooking time may be needed.

When cooking an oven meal with several different types of foods, be sure to select recipes that require similar temperatures. Cookware should sit in the oven with at least 1" (2.5 cm) of space between the cookware and the sides of the oven.

During convection baking preheat, the bake burner and broil element heat the oven cavity. After preheat, the convection element and bake burner will cycle on and off in intervals to maintain oven temperature, while the fan constantly circulates the hot air.

If the oven door is opened during convection baking or preheating, the convection burner and fan will turn off immediately. They will come back on once the door is closed.

- Reduce recipe temperature 25°F (14°C). The cook time may need to be reduced also.

### To Convection Bake:

Before convection baking, position racks according to the “Positioning Racks and Bakeware” section.

1. Press CONVECT BAKE.  
Press the number pads to enter a temperature other than 325°F (163°C). The convection bake range can be set between 170°F and 500°F (77°C and 260°C).
2. Press START.  
“Lo” will appear on the oven display if the actual oven temperature is under 170°F (77°C).  
When the actual oven temperature reaches 170°F (77°C), the oven display will show the oven temperature increasing in 1-degree increments.  
When the set temperature is reached, if on, one preheat completion tone will sound if tones are turned on.
3. Press OFF when finished cooking.

## Convection Roast

(on some models)

Convection roasting can be used for roasting meats and poultry, or for baking yeast breads and loaf cakes using a single rack. During convection roasting, the bake burner and broil element will cycle on and off in intervals to maintain oven temperature, while the fan constantly circulates the hot air.

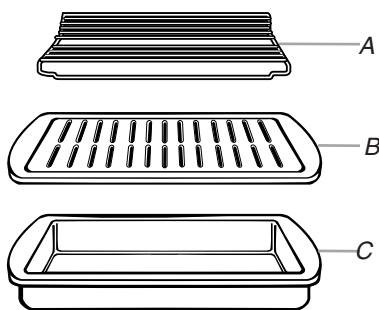
If the oven door is opened during convection roasting, the broil element and convection fan will turn off immediately and the bake burner will turn off within 2 minutes. They will come back on once the door is closed.

- Reduce recipe temperature 25°F (14°C). The cook time may also need to be reduced.

### To Convection Roast:

Before convection roasting, position racks according to the “Positioning Racks and Bakeware” section. It is not necessary to wait for the oven to preheat before putting food in, unless recommended in the recipe.

Use the roasting rack on top of the broiler pan and grid. This holds the food above the grid and allows air to circulate completely around all surfaces.



A. Roasting rack  
B. Broiler grid  
C. Broil pan

### 1. Press CONVECT ROAST.

Press the number pads to enter a temperature other than 300°F (149°C). The convection roast range can be set between 170°F and 500°F (77°C and 260°C).

### 2. Press START.

“Lo” will appear on the oven display if the actual oven temperature is under 170°F (77°C).

When the actual oven temperature reaches 170°F (77°C), the oven display will show the oven temperature increasing in 1-degree increments.

When the set temperature is reached, one preheat completion tone will sound if tones are turned on.

### 3. Press OFF when finished cooking.

## CONVECTION ROASTING CHART

FOOD/RACK POSITION	COOK TIME (min. per 1 lb [454 g])	OVEN TEMP.	INTERNAL FOOD TEMP.
<b>Beef, Rack Position 2</b>			
<b>Rib Roast</b>			
rare	20-25	300°F (149°C)	140°F (60°C)
medium	25-30		160°F (71°C)
well-done	30-35		170°F (77°C)
<b>Rib Roast (boneless)</b>			
rare	22-25	300°F (149°C)	140°F (60°C)
medium	27-30		160°F (71°C)
well-done	32-35		170°F (77°C)
<b>Rump, Sirloin Tip Roast</b>			
rare	20-25	300°F (149°C)	140°F (60°C)
medium	25-30		160°F (71°C)
well-done	30-35		170°F (77°C)
<b>Meat Loaf</b>	20-25	325°F (163°C)	165°F (74°C)
<b>Veal, Rack Position 2</b>			
<b>Loin, Rib, Rump Roast</b>			
medium	25-35	325°F (163°C)	160°F (71°C)
well-done	30-40		170°F (77°C)
<b>Pork, Rack Position 2</b>			
<b>Loin Roast (boneless)</b>			
	30-40	325° (163°C)	160°F-170°F (71°C-77°C)
<b>Shoulder Roast</b>			
	35-40	325° (163°C)	160°F-170°F (71°C-77°C)
<b>Ham, Rack Position 2</b>			
<b>Fresh (uncooked)</b>			
	25-35	300°F (149°C)	160°F (71°C)
<b>Fully Cooked</b>			
	15-20	300°F (149°C)	160°F (71°C)
<b>Lamb, Rack Position 2</b>			
<b>Leg, Shoulder Roast</b>			
medium	25-30	300°F (149°C)	160°F (71°C)
well-done	30-35		170°F (77°C)
<b>Chicken*, Rack Position 2</b>			
<b>Whole</b>			
3-5 lbs (1.5-2.2 kg)	20-25	325°F (163°C)	180°F (82°C)
5-7 lbs (2.2-3.1 kg)	15-20	325°F (163°C)	180°F (82°C)
<b>Turkey*, Rack Positions 1 or 2</b>			
13 lbs and under (5.85 kg)	10-15	300°F (149°C)	180°F (82°C)
Over 13 lbs (5.85 kg)	10-12	300°F (149°C)	180°F (82°C)
<b>Cornish Game Hens*, Rack Position 2 or 3</b>			
1-1.5 lbs (0.5-0.7 kg)	50-60	325°F (163°C)	180°F (82°C)

\*Do not stuff poultry when convection roasting.

## Convection Broil

(on some models)

During convection broiling, the broil burner and broil element will cycle on and off in intervals to maintain oven temperature, while the fan constantly circulates the hot air.

Cooking times will vary depending on the rack position and temperature and may need to be adjusted. Convection Broil is ideal for cooking foods such as thinner cuts of meat; filets of fish; boneless, skinless chicken; vegetables and garlic bread.

If the oven door is opened during convection broiling, the broil burner and the broil element and fan will turn off after 30 seconds. They will come back on once the door is closed.

### To Convection Broil:

Before convection broiling, see “Broil” section for general broiling guidelines. Position rack.

Position food on the unheated grid on the broiler pan, then place it in the center of the oven rack with the longest side parallel to the door.

Close the door.

1. Press CONVECT BROIL.

Press the number pads to enter a temperature other than 450°F (232°C). The convection broil range can be set between 300°F and 500°F (149°C and 260°C).

2. Press START.

The set oven temperature will appear on the oven display until oven is turned off.

3. Press OFF when finished cooking.

## Convect Full Meal

(on some models)

Convect Full Meal allows you to cook different foods for the same cook time if they require similar temperatures. Convect Full Meal lets you choose from 10 preset cooking cycles. A single pad includes an oven setting, an oven temperature, and a cook time or probe temperature. Use the following chart as a guide.

- All food should be at refrigerator or room temperature before placing in the oven. These settings and times are not for frozen foods.
- Always check for doneness of meats and poultry with a meat thermometer. Test other foods for doneness by checking color and texture.

PAD/ OVEN SETTING	OVEN TEMP.	COOK TIME or PROBE TEMP.	FOOD or MEAL
1 Convection Bake	325°F (163°C)	1 hr.	Meat Loaf, Baked Potatoes, Pineapple Upside Down Cake
2 Convection Roast	325°F (163°C)	1 hr. 30 min.	Turkey Breast, Stuffing Casserole, Peach Crisp
3 Convection Roast	350°F (177°C)	40 min.	Stuffed Pork Chops, Baked Winter Squash, Bread Pudding
4 Convection Bake	375°F (191°C)	45 min.	Oven Fried Chicken Pieces, Scalloped Potatoes, Cherry Pie
5 Convection Bake	425°F (218°C)	20 min.	Baked Salmon Steaks, Roasted Vegetable Wedges, Biscuits

PAD/ OVEN SETTING	OVEN TEMP.	COOK TIME or PROBE TEMP.	FOOD or MEAL
6 Convection Roast	325°F (163°C)	140°F (60°C)	Beef, rare
7 Convection Roast	325°F (163°C)	155°F (68°C)	Beef, medium or Pork
8 Convection Roast	325°F (163°C)	165°F (74°C)	Beef, well-done
9 Convection Roast	300°F (149°C)	135°F (56°C)	Pot Roast (3 lbs [1.4 kg]) with vegetables
0 Convection Bake	325°F (163°C)	160°F (71°C)	Casseroles

### To Use:

Before using Convect Full Meal, place food in oven. If temperature probe is required, insert probe into food and plug probe into jack. See “Temperature Probe” section for diagram.

1. Press CONVECT FULL MEAL.

2. Press number to select oven setting from chart.

For example, number pads 1 to 0 or scroll through CONVECT FULL MEAL.

3. Press START.

The start time, stop time and cooktime will appear on the oven display.

When the cycle ends, end-of-cycle tones will sound, then reminder tones will sound every minute if tones are turned on.

4. Press OFF or open the oven door when finished cooking to clear the display.

## Sabbath Mode

The Sabbath Mode sets the oven to remain on in a bake setting until turned off. A timed Sabbath Mode can also be set to keep the oven on for only part of the Sabbath.

When the Sabbath Mode is set, only the number and start pads will function, no tones will sound, and the displays will not show messages or temperature changes. The heat sources icons will appear lit on the oven display throughout the Sabbath Mode.

When the oven door is opened or closed, the oven light will not turn on or off and the heating elements will not turn on or off immediately.

If a power failure occurs when the Sabbath Mode is set, the oven will remain Sabbath Mode compliant but will no longer be actively cooking. The “ON” indicator will no longer be illuminated. Press OFF to return to normal operating mode (non-Sabbath Mode compliant, not cooking).

### To Activate:

**IMPORTANT:** Before the Sabbath Mode can be regularly set, the oven must first be enabled with a one time only setup.

1. Open the oven door.
2. Press OFF.
3. Press the number pads 7, 8, 9, 6, in this order.
4. Press START to activate.

“SABBATH ENABLED” will appear on the display.

5. Press OFF pad to clear the display.

### To Deactivate:

The oven can be disabled of the ability to set the Sabbath Mode by repeating the previous steps. See “To Activate” section. When disabled the Sabbath Mode cannot be regularly set until re-enabled.

### To Regularly Set, Untimed:

1. Press **BAKE**.  
Press the number pads to enter a temperature other than 325°F (163°C). The bake range can be set between 170°F and 500°F (77°C and 260°C).
2. Press **START**. The oven will begin a bake cycle.
3. Press **OPTIONS**, and then press number pad 7.
4. “**SABBATH MODE**” will appear on the oven display.

### To Regularly Set, Timed:

## **⚠ WARNING**

### **Food Poisoning Hazard**

**Do not let food sit in oven more than one hour before or after cooking.**

**Doing so can result in food poisoning or sickness.**

1. Press **BAKE**.  
Press the number pads to enter a temperature other than 325°F (163°C). The bake range can be set between 170°F and 500°F (77°C and 260°C).
2. Press **COOK DURATION**.
3. Press the number pads to enter the length of Sabbath Mode time, up to 9 hours 59 minutes.
4. Press **START**. The oven will begin a timed bake cycle.  
The start time and stop time will appear on the display.
5. Press **OPTIONS**, and then press number pad 7. “**SABBATH MODE**” will appear on the display.
6. When the stop time is reached, the oven will automatically turn off. The oven control will remain Sabbath Mode compliant until the **OFF** button is pressed.

### Temperature Change

The oven temperature can be changed when the oven(s) are in the Sabbath Mode. No tones will sound, and the display will not change. The heating elements will not turn on or off for a random time, anywhere from 16 to 24 seconds. It may take up to ½ hour for the oven to change temperature.

Number pads 1 through 0 represent temperatures. Use the following chart as a guide.

NUMBER PAD	OVEN TEMPERATURE
1	170°F (77°C)
2	200°F (95°C)
3	225°F (107°C)
4	250°F (120°C)
5	300°F (149°C)
6	325°F (163°C)
7	350°F (177°C)
8	375°F (191°C)
9	400°F (204°C)
0	450°F (232°C)

### To Change Temperature:

1. Press the number pad from the chart.
2. Press **START**.

## **Proofing Bread** (on some models)

Proofing bread prepares the dough for baking by activating the yeast. Follow the recipe directions as a guide.

### To Proof:

Before first proofing, place the dough in a lightly greased bowl and cover loosely with wax paper, coated with shortening. Place on rack guide 2, then place broiler pan on guide 1. See “Positioning Racks and Bakeware” for diagram. Put 2 cups (500 mL) of boiling water in the broiler pan. Close the door.

1. Press **BREAD PROOF**.  
The display will show 100°F (38°C).
2. Press **START**.  
Let the dough rise until nearly doubled in size, checking after 20-25 minutes. Proofing time may vary depending on dough type and quantity.

3. Press **OFF** when finished proofing.

Before second proofing, shape the dough, place it in baking pan(s) and cover loosely with plastic wrap, coated with cooking spray. Follow the same placement, broiler pan and water and control steps above. Before baking, remove the plastic wrap.

## Timed Cooking

### **⚠ WARNING**

#### **Food Poisoning Hazard**

**Do not let food sit in oven more than one hour before or after cooking.**

**Doing so can result in food poisoning or sickness.**

Timed Cooking allows the oven to be set to turn on at a certain time of day, cook for a set length of time, and/or shut off automatically. Delay start should not be used for food such as breads and cakes because they may not bake properly.

#### **To Set a Cook Time:**

1. Press **BAKE**, **CONVECT BAKE** or **CONVECT ROAST**.  
Press the number pads to enter a temperature other than the one displayed.
2. Press **COOK DURATION**.
3. Press number pads to enter the length of time to cook.
4. Press **START**.

On some models, the start time, stop time and cook time countdown will appear on the oven display.

When the stop time is reached, the oven will shut off automatically, and end-of-cycle tones will sound.

#### **To Set a Cook Time and Stop Time (Delay Start):**

Before setting, make sure the clock is set to the correct time of day. See "Clock/Timer Display" section.

1. Press **BAKE**, **CONVECT BAKE** or **CONVECT ROAST**.  
Press the number pads to enter a temperature other than the one displayed.
2. Press **COOK DURATION**.
3. Press number pads to enter the length of time to cook.
4. Press **STOP TIME**.
5. Press the number pads to enter time of day to stop.
6. Press **START**.

The start time is automatically calculated and displayed.

"DELAY" and the stop time will also appear on the oven display.

When the start time is reached, the oven will automatically turn on. The cook time countdown will appear on the oven display.

On some models, the set temperature and minute time countdown will appear on the oven display.

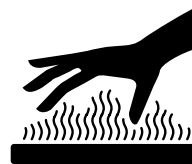
When the stop time is reached, the oven will shut off automatically, and end-of-cycle tones will sound.

7. Press **OFF** to stop reminder tones or open the oven door.

## RANGE CARE

### Self-Cleaning Cycle

### **⚠ WARNING**



#### **Burn Hazard**

**Do not touch the oven during the Self-Cleaning cycle.**

**Keep children away from oven during Self-Cleaning cycle.**

**Failure to follow these instructions can result in burns.**

**IMPORTANT:** The health of some birds is extremely sensitive to the fumes given off during the Self-Cleaning cycle. Exposure to the fumes may result in death to certain birds. Always move birds to another closed and well ventilated room.

Self-clean the oven before it becomes heavily soiled. Heavy soil results in longer cleaning and more smoke.

Keep the kitchen well-ventilated during the Self-Cleaning cycle to help get rid of heat, odors, and smoke.

Do not block the oven vent(s) during the Self-Cleaning cycle. Air must be able to move freely. Depending on your model, see "Oven Vent" or "Oven Vents" section.

Do not clean, rub, damage or move the oven door gasket. The door gasket is essential for a good seal.

#### **Prepare Oven:**

- Remove the broiler pan, grid, cookware and bakeware from the oven.
- Remove any foil from the oven because it may burn or melt, damaging the oven.
- Remove oven racks to keep them shiny and easy to slide. See "General Cleaning" section for more information.
- Hand clean inside door edge and the 1½" (3.8 cm) area around the inside oven cavity frame, being careful not to move or bend the gasket. This area does not get hot enough during self-cleaning to remove soil. Do not let water, cleaner, etc. enter slots on door frame. Use a damp cloth to clean this area.
- Wipe out any loose soil to reduce smoke and avoid damage. At high temperatures, foods react with porcelain. Staining, etching, pitting or faint white spots can result. This will not affect cooking performance.

### Prepare Cooktop and Storage Drawer:

- Remove plastic items from the cooktop because they may melt.
- Remove all items from the storage drawer.

### How the Cycle Works

**IMPORTANT:** The heating and cooling of porcelain on steel in the oven may result in discoloring, loss of gloss, hairline cracks and popping sounds.

The Self-Cleaning cycle uses very high temperatures, burning soil to a powdery ash.

The oven is preset for a 2 hour 30 minute clean cycle, however the time can be changed. There are five levels of clean. Suggested clean times are 2 hours 30 minutes for light soil and between 3 hours 30 minutes to 4 hours 30 minutes for average to heavy soil. Use the following chart as a guide to determine the desired cleaning level.

CLEANING LEVEL	TOTAL CLEANING TIME (includes a 30 minute cool down time)
1 (Quick)	2 hours 30 minutes
2	3 hours
3 (Regular)	3 hours 30 minutes
4	4 hours
5 (Maxi)	4 hours 30 minutes

Once the oven has completely cooled, remove ash with a damp cloth. Do not wipe down any of the inside surfaces until the oven has completely cooled down. Applying a cool damp cloth to the inner door glass before it has cooled completely could result in the glass breaking.

The oven light will not work during the Self-Cleaning cycle.

### To Self-Clean:

Before self-cleaning, make sure the door is closed completely or it will not lock and the cycle will not begin.

1. Press SELF CLEAN. To set a clean time other than 2 hours 30 minutes, enter the time using the number pads or press SELF CLEAN until the desired time is reached. The clean time can be set between 2 hours 30 minutes and 4 hours 30 minutes.
2. Press START.

The oven door will automatically lock and “DOOR LOCKED” or “LOCKED,” the start time and stop time will appear on the oven display. On some models, the clean time will appear on the oven display.

The door will not unlock until the oven cools.

When the cycle is complete and the oven cools, “End” will appear on the oven display and “DOOR LOCKED” or “LOCKED” will disappear from the display.

3. Press any pad or open the oven door to clear the oven display.

### To Delay Start Self-Clean:

Before delay starting Self-Clean, make sure the clock is set to the correct time of day. See “Clock/Timer Display” section. Also, make sure the door is closed completely or it will not lock and the cycle will not begin.

1. Press SELF CLEAN. To set a clean time other than 2 hours 30 minutes, enter the time using the number pads or press SELF CLEAN until the desired time is reached. The clean time can be set between 2 hours 30 minutes and 4 hours 30 minutes.
2. Press STOP TIME.
3. Press the number pads to enter the time of day to stop.
4. Press START.

The start time is automatically calculated and displayed. The door will automatically lock, and “DOOR LOCKED” or “LOCKED” and “DELAY” and the stop time will also appear on the display (on some models). The door will not unlock until the oven cools.

When the start time is reached, the oven will automatically turn on.

When the cycle is complete and the oven cools, “End” will appear on the oven display and “DOOR LOCKED” or “LOCKED” will disappear from the display.

5. Press OFF to clear the oven display.

### To Stop Self-Clean any time:

Press OFF. If the oven temperature is too high, the door will remain locked. It will not unlock until the oven cools.

If the oven temperature is too high after self-cleaning, then “LOCKED” will appear on the display until the oven completely cools.

## General Cleaning

**IMPORTANT:** Before cleaning, make sure all controls are off and the oven and cooktop are cool. Always follow label instructions on cleaning products. Soap, water and a soft cloth or sponge are suggested first unless otherwise noted.

### EXTERIOR PORCELAIN ENAMEL SURFACES (on some models)

Food spills containing acids, such as vinegar and tomato, should be cleaned as soon as the entire appliance is cool. These spills may affect the finish.

- Glass cleaner, mild liquid cleaner or nonabrasive scrubbing pad: Gently clean around the model and serial number plate because scrubbing may remove numbers.

### STAINLESS STEEL (on some models)

**NOTE:** Do not use soap-filled scouring pads, abrasive cleaners, Cooktop Polishing Creme, steel-wool pads, gritty washcloths or some paper towels. Damage may occur, even with one-time or limited use.

Rub in direction of grain to avoid damaging.

- Stainless Steel Cleaner & Polish (sample included): See “Assistance or Service” section to order.
- Liquid detergent or all-purpose cleaner: Rinse with clean water and dry with soft, lint-free cloth.
- Vinegar for hard water spots

---

## COOKTOP CONTROLS

---

Do not use steel wool, abrasive cleansers or oven cleaner.

Do not soak knobs.

When replacing knobs, make sure knobs are in the Off position.

- Soap and water: Pull knobs straight away from control panel to remove.

---

## OVEN DOOR EXTERIOR

---

- Glass cleaner and paper towels or nonabrasive plastic scrubbing pad: Apply glass cleaner to soft cloth or sponge, not directly on panel.

---

## CONTROL PANEL

---

Do not use abrasive cleaners, steel-wool pads, gritty washcloths or some paper towels. Damage may occur.

- Glass cleaner and soft cloth or sponge: Apply glass cleaner to soft cloth or sponge, not directly on panel.

---

## OVEN CAVITY

---

Do not use oven cleaners.

Food spills should be cleaned when oven cools. At high temperatures, foods react with porcelain and staining, etching, pitting or faint white spots can result.

- Self-Cleaning cycle: See “Self-Cleaning Cycle” first.

---

## OVEN RACKS AND ROASTING RACKS

---

- Self-Cleaning cycle: See “Self-Cleaning Cycle” first. Remove racks or they will discolor and become harder to slide. If this happens, a light coating of vegetable oil applied to the rack guides will help them slide.
- Steel-wool pad

---

## BROILER PAN AND GRID

---

Do not clean in the Self-Cleaning cycle (on some models).

- Mildly abrasive cleanser: Scrub with wet scouring pad.
- Solution of ½ cup (125 mL) ammonia to 1 gal. (3.75 L) water: Soak for 20 minutes, then scrub with scouring or steel-wool pad.
- Oven cleaner: Follow product label instructions.

### Porcelain enamel only, not chrome

- Dishwasher

---

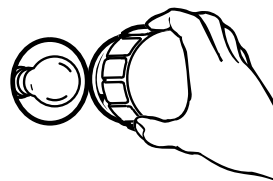
## Oven Light(s)

The oven light(s) is a 15-watt appliance bulb. The light(s) will come on when the oven door is opened. The light(s) will not work during the Self-Cleaning cycle. When the oven door is closed, press OVEN LIGHT to turn the light(s) on or off.

### To Replace:

Before replacing, make sure the oven is off and cool.

1. Unplug range or disconnect power.
2. Turn the glass bulb cover in the back of the oven counterclockwise to remove.



3. Turn bulb counterclockwise to remove from socket.
4. Replace bulb and bulb cover by turning clockwise.
5. Plug in range or reconnect power.

---

## Storage Drawer

The storage drawer can be removed. Before removing, make sure drawer is cool and empty.

### To remove:

1. Pull drawer straight out to the first stop.
2. Lift up the back of the drawer and pull out.

### To replace:

1. Fit the ends of the drawer rails into the guides in the cavity.
2. Slide the drawer closed.

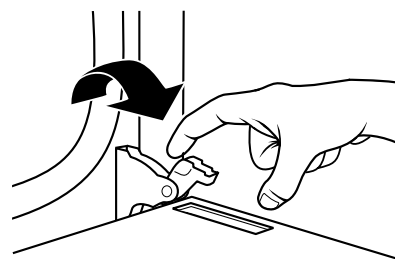
---

## Oven Door

For normal range use, it is not suggested to remove the oven door. However, if removal is necessary, make sure the oven is off and cool. Then, follow these instructions. The oven door is heavy.

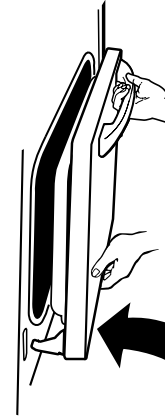
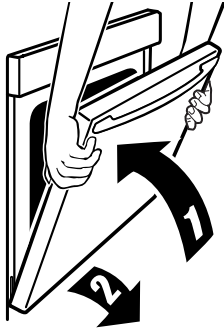
### To Remove:

1. Open oven door all the way.
2. Flip up the hinge latch on each side.



3. Close the oven door as far as it will shut.

- Lift the oven door while holding both sides.  
Continue to push the oven door closed and pull it away from the oven door frame.



#### To Replace:

- Insert both hanger arms into the door.

- Open the oven door.  
You should hear a “click” as the door is set into place.
- Move the hinge levers back to the locked position. Ensure that the door is free to open and close. If it is not, repeat the removal and installation procedures.

## TROUBLESHOOTING

Try the solutions suggested here first in order to avoid the cost of an unnecessary service call.

### Nothing will operate

- **Is the power supply cord unplugged?**  
Plug into a grounded outlet.
- **Has a household fuse blown or has a circuit breaker tripped?**  
Replace the fuse or reset the circuit.
- **Is the range properly connected to the gas supply?**  
Contact a trained repair specialist or see Installation Instructions.

### Surface burners will not operate

- **Is this the first time the surface burners have been used?**  
Turn on any one of the surface burner knobs to release air from the gas lines.
- **Is the control knob set correctly?**  
Push in knob before turning to a setting.
- **Are the burner ports clogged?**  
See “Surface Burners” section.

### Surface burner flames are uneven, yellow and/or noisy

- **Are the burner ports clogged?**  
See “Surface Burners” section.
- **On models with caps, are the burner caps positioned properly?**  
See “Surface Burners” section.
- **Is the burner damaged?**  
On models with caps, look for a warped cap. If cap will not spin freely on a flat surface, painted side down, the cap is warped. Switch cap with a different surface burner to check for further warping. Contact a trained repair specialist.
- **Is propane gas being used?**  
The appliance may have been converted improperly. Contact a trained repair specialist.

### Surface burner makes popping noises

- **Is the burner wet?**  
Let it dry.

### Burner sparks but does not light

- **Is there continuous sparking, but the burner does not light?**  
Discontinue use of the surface burner and contact a service technician.

### Excessive heat around cookware on cooktop

- **Is the cookware the proper size?**  
Use cookware about the same size as the surface cooking area, element or surface burner. Cookware should not extend more than ½" (1.25 cm) outside the cooking area.

### Cooktop cooking results not what expected

- **Is the proper cookware being used?**  
See “Cookware” section.
- **Is the control knob set to the proper heat level?**  
See “Cooktop Controls” section.
- **Is the appliance level?**  
Level the appliance. See the Installation Instructions.

### Oven will not operate

- **Is this the first time the oven has been used?**  
Turn any one of the surface burner knobs on to release air from the gas lines.
- **Is the electronic oven control set correctly?**  
See “Electronic Oven Control” section.



- **Has a delay start been set?**  
See “Timed Cooking” section.
- **On some models, is the Control Lock set?**  
See “Control Lock” section.
- **On some models, is the Sabbath Mode set?**  
See “Sabbath Mode” Section.

---

### Oven burner flames are yellow or noisy

---

- **Is propane gas being used?**  
The appliance might have been converted improperly. Contact a trained repair specialist.

---

### Cooling fan runs during baking, broiling or cleaning

---

- It is normal for the fan to automatically run while the oven is in use or for some time after the oven is shut off to cool the electronic control.

---

### Oven temperature too high or too low

---

- **Does the oven temperature calibration need adjustment?**  
See “Oven Temperature Calibration” section.

---

### Display shows messages

---

- **Is the display showing “SET CLOCK”?** There has been a power failure. Clear the display. See “Oven Displays” section. On some models, reset the clock, if needed. See “Clock/Timer Display” section.
- **Is the display showing a letter followed by a number?** Press OFF to clear the display. See “Oven Displays” section. If it reappears, call for service. See “Assistance or Service” section.

---

### On some models, convection fan does not operate

---

- **Does display show the fan turning, but the fan does not operate?**  
There will be a brief delay of the fan operation after the start of a convection function.
- **Is the convection broil function being used?**  
The fan will cycle on and off throughout convection broil operation.
- **Is the oven door open?**  
Opening the oven door during a convection function will stop the fan.

---

### Self-Cleaning Cycle will not operate

---

- **Is the oven door open?**  
Close the oven door all the way.
- **Has the function been entered?**  
See “Self-Cleaning Cycle” section.
- **On some models, has a delay start Self-Clean cycle been set?**  
See “Self-Cleaning Cycle” section.
- **Has a delay start been set?**  
See “Timed Cooking” section.

---

### Oven cooking results not what expected

---

- **Is the appliance level?**  
Level the appliance. See the Installation Instructions.
- **Is the proper temperature set?**  
Double-check the recipe in a reliable cookbook.
- **Is the proper oven temperature calibration set?**  
See “Oven Temperature Calibration” section.
- **Was the oven preheated?**  
See “Bake,” “Broil,” “EASY CONVECT™ Conversion,” “Convection Bake,” or “Convection Roast” section.
- **Is the proper bakeware being used?**  
See “Bakeware” section.
- **Are the racks positioned properly?**  
See “Positioning Racks and Bakeware” section.
- **Is there proper air circulation around bakeware?**  
See “Positioning Racks and Bakeware” section.
- **Is the batter evenly distributed in the pan?**  
Check to make sure batter is level in the pan.
- **Is the proper length of time being used?**  
Adjust cooking time.
- **Has the oven door been opened while cooking?**  
Oven peeking releases oven heat and can result in longer cooking times.
- **Are baked items too brown on the bottom?**  
Decrease oven temperature 15° F to 25° F (5°C to 15°C) or move rack to higher position in the oven.
- **Are pie crust edges browning early?**  
Use aluminum foil to cover the edge of the crust and/or reduce baking temperature.

---

# ASSISTANCE OR SERVICE

Before calling for assistance or service, please check "Troubleshooting." It may save you the cost of a service call. If you still need help, follow the instructions below.

When calling, please know the purchase date and the complete model and serial number of your appliance. This information will help us to better respond to your request.

## If you need replacement parts

If you need to order replacement parts, we recommend that you use only factory specified parts. These factory specified parts will fit right and work right because they are made with the same precision used to build every new KITCHENAID® appliance.

To locate factory specified parts in your area, call our Customer Interaction Center telephone number or your nearest KitchenAid designated service center.

---

## In the U.S.A.

Call the KitchenAid Customer Interaction Center toll free:  
**1-800-422-1230.**

### Our consultants provide assistance with:

- Features and specifications on our full line of appliances.
- Installation information.
- Accessory and repair parts sales.
- Specialized customer assistance (Spanish speaking, hearing impaired, limited vision, etc.).
- Referrals to local dealers, repair parts distributors, and service companies. KitchenAid designated service technicians are trained to fulfill the product warranty and provide after-warranty service, anywhere in the United States.

To locate the KitchenAid designated service company in your area, you can also look in your telephone directory Yellow Pages.

### For further assistance

If you need further assistance, you can write to KitchenAid with any questions or concerns at:

KitchenAid Brand Home Appliances  
Customer Interaction Center  
553 Benson Road  
Benton Harbor, MI 49022-2692

Please include a daytime phone number in your correspondence.

## Accessories U.S.A.

To order accessories, call the KitchenAid Customer Interaction Center toll free at **1-800-442-9991** and follow the menu prompts. Or visit our website at [www.kitchenaid.com](http://www.kitchenaid.com) and click on "Shop-Online," then "Accessories." Portable appliances, bakeware, cookware, gadgets and textiles are also available.

## Stainless Steel Cleaner & Polish

(stainless steel models)

Order Part #4396095

## Gas Grate/Drip Pan Cleaner

Order Part #31617

## Griddle Accessory

Order Part #4396096

## Brick Pizza Stone

Order Part #4378577

---

## In Canada

For product related questions, please call the KitchenAid Canada Customer Interaction Center toll free: **1-800-461-5681**  
Monday to Friday 8:00 a.m. - 6:00 p.m. (EST).  
Saturday 8:30 a.m. - 4:30 p.m. (EST).

### Our consultants provide assistance with:

- Features and specifications on our full line of appliances.
- Referrals to local dealers.

### For parts, accessories and service in Canada

Call **1-800-807-6777**. KitchenAid designated service technicians are trained to fulfill the product warranty and provide after-warranty service, anywhere in Canada.

### For further assistance

If you need further assistance, you can write to KitchenAid Canada with any questions or concerns at:

Customer Interaction Center  
KitchenAid Canada  
1901 Minnesota Court  
Mississauga, Ontario L5N 3A7

Please include a daytime phone number in your correspondence.

---

# KITCHENAID® COOKTOP, BUILT-IN OVEN AND RANGE WARRANTY

---

## ONE-YEAR FULL WARRANTY

For one year from the date of purchase, when this appliance is operated and maintained according to instructions attached to or furnished with the product, KitchenAid will pay for factory specified parts and repair labor costs to correct defects in materials or workmanship. Service must be provided by a KitchenAid designated service company.

---

## SECOND THROUGH FIFTH YEAR LIMITED WARRANTY ON ELECTRIC ELEMENTS, CERAMIC GLASS COOKTOP, GAS BURNERS, SOLID STATE TOUCH CONTROL SYSTEM, AND MAGNETRON TUBE

On electric ranges and electric cooktops, in the second through fifth years from the date of purchase, when this appliance is operated and maintained according to instructions attached to or furnished with the product, KitchenAid will pay for factory specified parts for any electric element to correct defects in materials or workmanship.

On ceramic glass ranges and ceramic glass cooktops, in the second through fifth years from the date of purchase, when this appliance is operated and maintained according to instructions attached to or furnished with the product, KitchenAid will pay for factory specified parts for the ceramic glass cooktop. KitchenAid warrants that the ceramic glass cooktop will not discolor, the cooktop pattern will not wear off, the rubber seal between the ceramic glass cooktop and porcelain edge will not crack, the ceramic glass cooktop will not crack due to thermal shock and the surface unit elements will not burn out.

On gas ranges and gas cooktops, in the second through fifth years from the date of purchase, when this appliance is operated and maintained according to instructions attached to or furnished with the product, KitchenAid will pay for factory specified parts for any gas burner to correct defects in materials or workmanship.

On ranges and built-in ovens, in the second through fifth years from the date of purchase, when this appliance is operated and maintained according to instructions attached to or furnished with the product, KitchenAid will pay for factory specified parts for solid state touch control system and Magnetron tube in combination ovens to correct defects in materials or workmanship.

---

## SECOND THROUGH TENTH YEAR LIMITED WARRANTY ON RANGES AND BUILT-IN OVENS PORCELAIN OVEN CAVITY/INNER DOOR

On ranges and built-in ovens only, in the second through tenth years from date of purchase, when this appliance is operated and maintained according to instructions attached to or furnished with the product, KitchenAid will pay for factory specified parts for the porcelain oven cavity/inner door if the part rusts through due to defects in materials or workmanship.

---

### KitchenAid will not pay for:

1. Service calls to correct the installation of your appliance, to instruct you how to use your appliance, to replace house fuses or correct house wiring, or to replace owner-accessible light bulbs.
2. Repairs when your appliance is used in other than normal, single-family household use.
3. Pickup and delivery. Your appliance is designed to be repaired in the home.
4. Damage resulting from accident, alteration, misuse, abuse, fire, flood, improper installation, acts of God or use of products not approved by KitchenAid or KitchenAid Canada.
5. Repairs to parts or systems resulting from unauthorized modifications made to the appliance.
6. Replacement parts or repair labor costs for units operated outside the United States or Canada.
7. In Canada, travel or transportation expenses for customers who reside in remote areas.
8. Any labor costs during the limited warranty periods.

---

### KITCHENAID AND KITCHENAID CANADA SHALL NOT BE LIABLE FOR INCIDENTAL OR CONSEQUENTIAL DAMAGES.

Some states or provinces do not allow the exclusion or limitation of incidental or consequential damages, so this exclusion or limitation may not apply to you. This warranty gives you specific legal rights, and you may also have other rights which vary from state to state or province to province.

**Outside the 50 United States and Canada, this warranty does not apply. Contact your authorized KitchenAid dealer to determine if another warranty applies.**

If you need service, first see the "Troubleshooting" section of this book. After checking "Troubleshooting," additional help can be found by checking the "Assistance or Service" section or by calling the KitchenAid Customer Interaction Center, **1-800-422-1230** (toll-free), from anywhere in the U.S.A. In Canada, contact your KitchenAid designated service company or call **1-800-807-6777**. 4/01

---

**Keep this book and your sales slip together for future reference. You must provide proof of purchase or installation date for in-warranty service.**

Write down the following information about your appliance to better help you obtain assistance or service if you ever need it. You will need to know your complete model number and serial number. You can find this information on the model and serial number label/plate, located on your appliance as shown in the "Parts and Features" section.

Dealer name \_\_\_\_\_

Address \_\_\_\_\_

Phone number \_\_\_\_\_

Model number \_\_\_\_\_

Serial number \_\_\_\_\_

Purchase date \_\_\_\_\_

# SÉCURITÉ DE LA CUISINIÈRE

## Votre sécurité et celle des autres est très importante.

Nous donnons de nombreux messages de sécurité importants dans ce manuel et sur votre appareil ménager. Assurez-vous de toujours lire tous les messages de sécurité et de vous y conformer.



Voici le symbole d'alerte de sécurité.

Ce symbole d'alerte de sécurité vous signale les dangers potentiels de décès et de blessures graves à vous et à d'autres.

Tous les messages de sécurité suivront le symbole d'alerte de sécurité et le mot "DANGER" ou "AVERTISSEMENT". Ces mots signifient :

**⚠ DANGER**

Risque possible de décès ou de blessure grave si vous ne suivez pas immédiatement les instructions.

**⚠ AVERTISSEMENT**

Risque possible de décès ou de blessure grave si vous ne suivez pas les instructions.

Tous les messages de sécurité vous diront quel est le danger potentiel et vous disent comment réduire le risque de blessure et ce qui peut se produire en cas de non-respect des instructions.

**AVERTISSEMENT : Pour votre sécurité, les renseignements dans ce manuel doivent être observés pour réduire au minimum les risques d'incendie ou d'explosion ou pour éviter des dommages au produit, des blessures ou un décès.**

- Ne pas entreposer ni utiliser de l'essence ou d'autres vapeurs ou liquides inflammables à proximité de cet appareil ou de tout autre appareil électroménager.
- QUE FAIRE DANS LE CAS D'UNE ODEUR DE GAZ :
  - Ne pas tenter d'allumer un appareil.
  - Ne pas toucher à un commutateur électrique.
  - Ne pas utiliser le téléphone se trouvant sur les lieux.
  - Appeler immédiatement le fournisseur de gaz d'un téléphone voisin. Suivre ses instructions.
  - À défaut de joindre votre fournisseur de gaz, appeler les pompiers.
- L'installation et l'entretien doivent être effectués par un installateur qualifié, une agence de service ou le fournisseur de gaz.

## La bride antibasculement

Dans des conditions de service normales, la cuisinière ne bascule pas. Elle peut cependant basculer si une force ou un poids excessif est appliqué(e) sur la porte ouverte alors que la bride antibasculement n'est pas convenablement fixée.



### ⚠ AVERTISSEMENT

#### Risque de basculement

**Un enfant ou une personne adulte peut faire basculer la cuisinière ce qui peut causer un décès.**

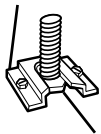
**Joindre la bride antibasculement au pied arrière de la cuisinière.**

**Joindre de nouveau la bride antibasculement si la cuisinière est déplacée.**

**Voir détails dans les instructions d'installation.**

**Le non-respect de ces instructions peut causer un décès ou des brûlures graves aux enfants et aux adultes.**

La bride antibasculement



Le pied de la cuisinière

**Assurez-vous qu'une bride antibasculement est installée :**

- Glisser la cuisinière vers l'avant.
- Vérifier que la bride antibasculement est bien fixée au plancher.
- Glisser de nouveau la cuisinière vers l'arrière de sorte que le pied est sous la bride antibasculement.

## IMPORTANTES INSTRUCTIONS DE SÉCURITÉ

**AVERTISSEMENT :** Pour réduire le risque d'incendie, de choc électrique, de blessures ou de dommages lors de l'utilisation de la cuisinière, il convient d'observer certaines précautions élémentaires dont les suivantes :

- **AVERTISSEMENT :** POUR MINIMISER LE RISQUE DE BASCULEMENT DE LA CUISINIÈRE, ELLE DOIT ÊTRE BIEN IMMOBILISÉE PAR DES DISPOSITIFS ANTIBASCULEMENT CORRECTEMENT INSTALLÉS. POUR VÉRIFIER SI LES DISPOSITIFS SONT CORRECTEMENT INSTALLÉS, GLISSER LA CUISINIÈRE VERS L'AVANT ET VÉRIFIER SI LA BRIDE ANTIBASCULEMENT EST BIEN FIXÉE AU PLANCHER, ET GLISSER LA CUISINIÈRE VERS L'ARRIÈRE POUR QUE LE PIED ARRIÈRE DE LA CUISINIÈRE SOIT SOUS LA BRIDE ANTIBASCULEMENT.
- **MISE EN GARDE :** Ne pas remiser dans des armoires au-dessus de la cuisinière ou sur le dossier d'une cuisinière, des objets que des enfants pourraient vouloir atteindre. Les enfants pourraient se brûler ou se blesser en grimpant sur la cuisinière.
- Installation appropriée – La cuisinière, lorsqu'elle est correctement installée, doit être reliée à la terre conformément aux codes électriques locaux ou en l'absence de codes locaux, selon le *Code électrique national (US) ANSI/NFPA 70* ou le *Code canadien des installations, Partie 1*. S'assurer que la cuisinière est correctement installée et reliée à la terre par un technicien qualifié.

- Cette cuisinière est munie d'une fiche de liaison à la terre à trois broches pour votre protection contre les risques de choc électrique et doit être branchée directement dans une prise de courant bien reliée à la terre. Ne pas couper ni enlever la broche de liaison à la terre de cette fiche.
- Débrancher l'alimentation électrique avant d'exécuter des réparations à l'appareil.
- Ne jamais utiliser la cuisinière comme source de chauffage ou de réchauffage d'une pièce.
- Des blessures peuvent survenir d'un mauvais usage des portes ou des tiroirs de l'appareil tel que se tenir debout sur la surface, se pencher ou s'asseoir sur les portes ou tiroirs.
- Entretien – Garder l'espace autour de la cuisinière dégagé et libre de matériaux combustibles, d'essence et d'autres vapeurs et liquides inflammables.
- Remisage dans ou sur la cuisinière – Des produits inflammables ne devraient pas être remisés dans un four ou près des éléments de surface.
- La taille de la flamme des brûleurs de surface devrait être ajustée de sorte qu'elle ne dépasse pas le bord de l'ustensile de cuisson.

#### Cuisinière autonettoyante –

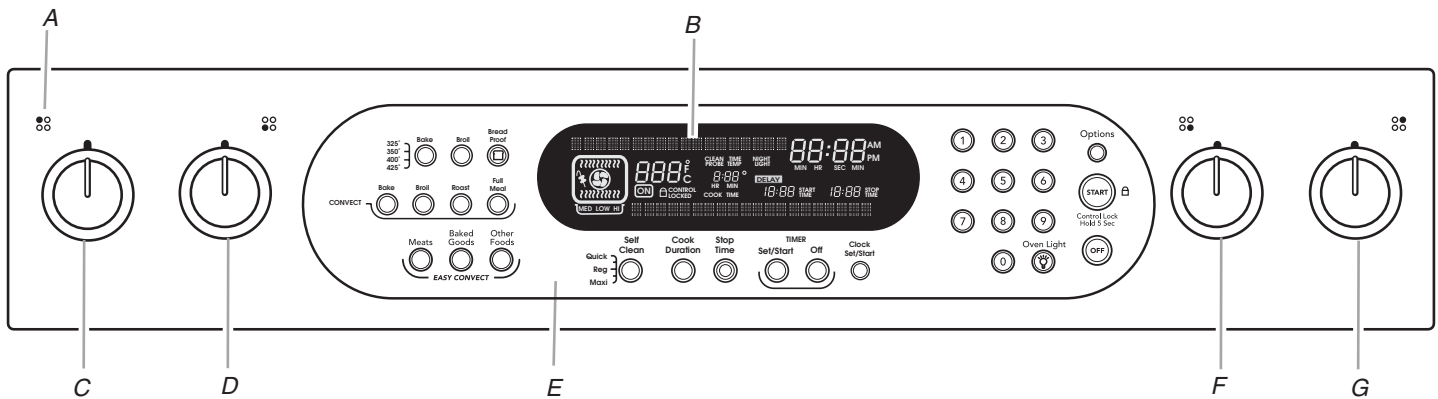
- Avant l'autonettoyage du four – Ôter la lèchefrite et son plat et les autres ustensiles. Essuyer tous les renversements excessifs avant de mettre en marche le programme d'autonettoyage.

## CONSERVEZ CES INSTRUCTIONS

# PIÈCES ET CARACTÉRISTIQUES

Ce manuel couvre différents modèles. La cuisinière que vous avez achetée peut comporter quelques-uns ou tous les articles énumérés. L'emplacement et l'apparence des caractéristiques illustrées peuvent être différents de ceux de votre modèle.

## Tableau de commande pour le brûleur TripleTier™ (Modèles KGRA806, KGRK806 et KGSA906)



A. Témoin du brûleur de surface

B. Afficheur du four

C. Bouton de commande arrière gauche  
(6000 BTU)

D

D. Bouton de commande avant gauche pour le brûleur à flamme TripleTier™ à double soupape  
(15 000 BTU)

E. Table au de commande du four

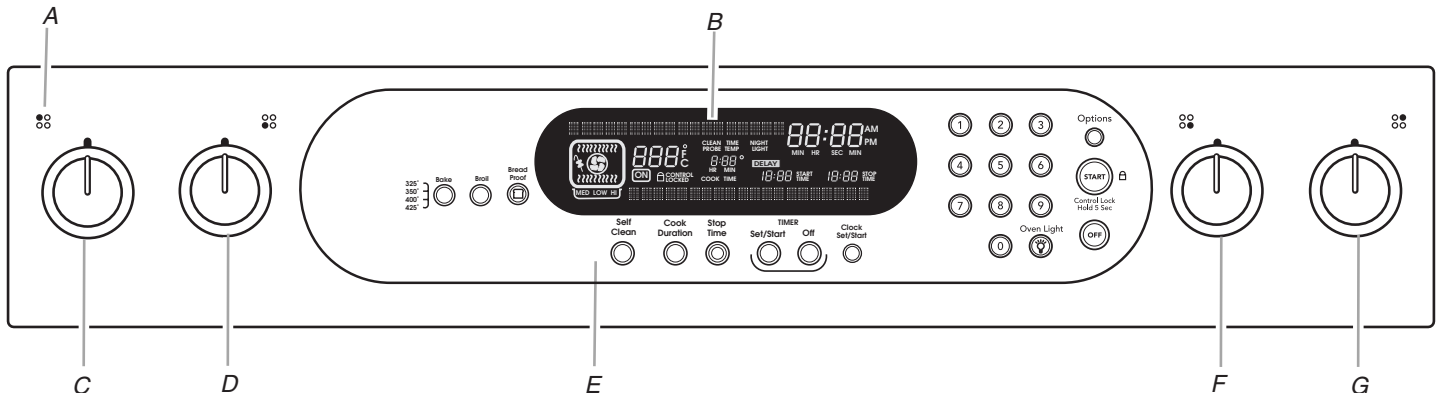
F. Bouton de commande avant droit  
(6000 BTU)

G. Bouton de commande arrière droit  
(12 500 BTU)

F

G

## Tableau de commande pour brûleur standard (Modèles KGRI801 et KSGI901)



A. Témoin du brûleur de surface

B. Afficheur du four

C. Bouton de commande arrière gauche  
(6000 BTU)

D

D. Bouton de commande avant gauche  
(14 000 BTU)

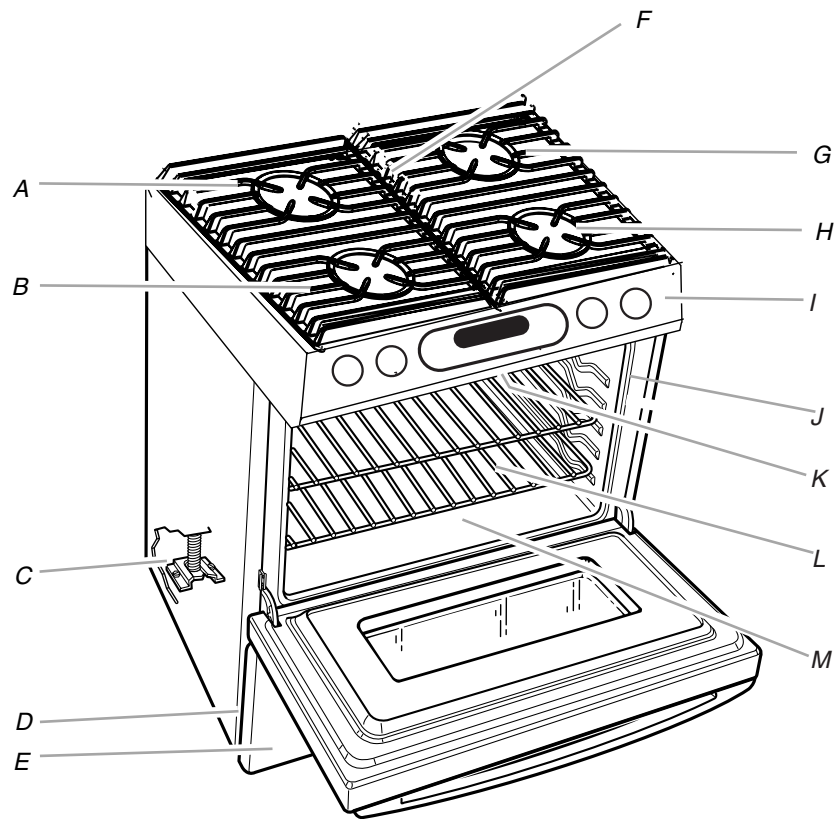
E. Table au de commande du four

F. Bouton de commande avant droit  
(6000 BTU)

G. Bouton de commande arrière droit  
(12 500 BTU)

F

G



- A. Brûleur de surface arrière gauche et grille
- B. Brûleur de surface avant gauche et grille (sur certains modèles, brûleur à flamme TripleTier™ à double soupape avec anneau InstaWok™)
- C. Bride antibasculement

- D. Plaque signalétique des numéros de modèle et de série (derrière le côté gauche du tiroir de rangement)
- E. Tiroir de rangement
- F. Évent du four
- G. Brûleur de surface arrière droit et grille
- H. Brûleur de surface avant droit et grille

- I. Tableau de commande
- J. Joint d'étanchéité de la porte
- K. Interrupteur automatique de la lampe du four
- L. Élément de cuisson au gril avec élément électrique (non illustré)
- M. Élément de cuisson au four et protection (non illustré)

- Pièces et caractéristiques non illustrées**  
(sur certains modèles)
- Hublot de la porte du four
  - Lêchefrite et grille
  - Sonde thermométrique
  - Ventilateur de convection et élément T.H.E.™
  - Accessoires de cuisson
  - Demi-grille avec section amovible

# UTILISATION DE LA TABLE DE CUISSON

## Ustensiles de cuisson

**IMPORTANT :** Ne pas laisser un ustensile de cuisson vide sur une surface de cuisson, un élément ou un brûleur de surface chauds.

Pour la meilleure efficacité, les ustensiles de cuisson doivent avoir un fond plat, des parois droites, un couvercle qui ferme correctement et le matériau doit être d'épaisseur moyenne à forte.

Les finitions rugueuses peuvent égratigner la table de cuisson. L'aluminium et le cuivre peuvent être utilisés comme fond ou base d'un ustensile de cuisson. Toutefois, lorsqu'ils sont utilisés comme base, ils peuvent laisser des marques permanentes sur la surface de cuisson ou les grilles.

Le matériau d'un ustensile a une influence sur la rapidité et l'uniformité de la transmission de la chaleur, lesquelles contribuent aux résultats de cuisson. Une finition antiadhésive a les mêmes caractéristiques que son matériau de base. Par exemple, un ustensile de cuisson en aluminium avec un fini antiadhésif aura les propriétés de l'aluminium.

Les plaques recouvertes d'un revêtement antiadhésif ne devraient pas être utilisées sous le gril.

Utiliser le tableau suivant comme guide pour les caractéristiques du matériau des ustensiles de cuisson.

USTENSILE	CARACTÉRISTIQUES
Aluminium	<ul style="list-style-type: none"><li>■ Chauffe rapidement et uniformément.</li><li>■ Convient à tous les genres de cuisson.</li><li>■ L'épaisseur moyenne ou forte convient le mieux pour la plupart des tâches de cuisson.</li></ul>
Fonte	<ul style="list-style-type: none"><li>■ Chauffe lentement et uniformément.</li><li>■ Convient pour le brunissage et la friture.</li><li>■ Maintient la chaleur pour une cuisson lente.</li></ul>
Céramique ou vitrocéramique	<ul style="list-style-type: none"><li>■ Suivre les instructions du fabricant.</li><li>■ Chauffe lentement, mais inégalement.</li><li>■ Les meilleurs résultats sont obtenus sur les réglages de chaleur basse à moyenne.</li></ul>
Cuivre	<ul style="list-style-type: none"><li>■ Chauffe très rapidement et uniformément.</li></ul>
Terre cuite	<ul style="list-style-type: none"><li>■ Suivre les instructions du fabricant.</li><li>■ Utiliser des réglages de température basse.</li></ul>
Acier émaillé en porcelaine ou fonte	<ul style="list-style-type: none"><li>■ Voir acier inoxydable ou fonte.</li></ul>
Acier inoxydable	<ul style="list-style-type: none"><li>■ Chauffe rapidement, mais inégalement.</li><li>■ Un fond ou une base d'aluminium ou de cuivre sur l'acier inoxydable procure un chauffage uniforme.</li></ul>

## Préparation de conserves à la maison

Lors de la préparation de conserves pendant de longues périodes, alterner l'utilisation des surfaces de cuisson, des éléments ou des brûleurs de surface entre les quantités préparées. Cette alternance permet aux dernières surfaces utilisées de refroidir.

- Centrer l'autoclave sur la grille ou la plus grande surface de cuisson ou sur le plus grand élément. L'autoclave ne doit pas dépasser de plus de ½" (1,25 cm) de la surface de cuisson.
- Ne pas placer l'autoclave sur deux surfaces de cuisson, deux éléments ou deux brûleurs de surface à la fois.
- Pour plus de renseignements, aux É.-U. contacter le bureau local du Département de l'Agriculture. Au Canada, contacter Agriculture Canada. Les compagnies qui fabriquent des produits pour la préparation de conserves peuvent aussi offrir de l'aide.

## Commandes de la table de cuisson

### ⚠ AVERTISSEMENT



#### Risque d'incendie

**La flamme d'un brûleur ne devrait pas dépasser le bord du récipient de cuisson.**

**Fermer tous les réglages lorsque la cuisson est terminée.**

**Le non-respect de ces instructions peut causer un décès ou un incendie.**

**IMPORTANT :** Votre table de cuisson est réglée à l'usine pour l'utilisation au gaz naturel. Si on désire utiliser du gaz propane, un ensemble de conversion au gaz propane est inclus avec votre nouvelle cuisinière. Les modèles équipés du TripleTier™ Flame Burner (Brûleur à flamme TripleTier) comprennent une trousse de conversion au gaz propane TripleTier™ et une trousse pour les cuisinières standard. Voir les "Instructions d'installation" pour des détails au sujet de cette conversion.

Les allumeurs électriques allument automatiquement les brûleurs de surface lorsque les boutons de commande sont tournés sur LITE (allumer).

Avant de régler un bouton de commande, placer l'ustensile de cuisson rempli sur la grille. Ne pas faire fonctionner un brûleur avec un ustensile vide ou sans ustensile dessus.

**REMARQUE :** Vérifier visuellement que le brûleur est allumé. Si le brûleur ne s'allume pas, attendre qu'il y ait un déclic. Si le déclic ne se fait pas entendre, ÉTEINDRE LE BRÛLEUR. Vérifier si le disjoncteur ne s'est pas déclenché ou si un fusible n'est pas grillé.



S'assurer que le bouton de commande est enfoncé complètement sur la tige de la soupape. Si l'allumeur ne fonctionne toujours pas, faire venir un technicien de réparation qualifié.

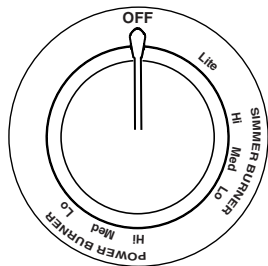
La liaison à la terre et la polarité appropriées sont nécessaires pour le bon fonctionnement du système d'allumage électrique. Si la prise de courant murale ne fournit pas la polarité correcte, l'allumeur sera alors relié à la terre et pourra occasionnellement émettre un déclic, même après l'allumage du brûleur. Faire vérifier la prise murale par un technicien de réparation qualifié pour voir si la polarité du câblage est correcte.

**N'OUBLIEZ PAS :** Quand l'appareil est utilisé, toute la surface de la table de cuisson peut devenir chaude.

### Panne de courant

En cas de panne prolongée, les brûleurs de surface peuvent être allumés manuellement. Tenir une allumette allumée près d'un brûleur et tourner le bouton dans le sens antihoraire à LITE. Après l'allumage, tourner le bouton au réglage désiré.

### Brûleur TripleTier™ à haute puissance et bas réglages de mijotage (sur certains modèles)



**REMARQUE :** Les réglages sont indiqués sur le bouton de commande.

Le brûleur à flamme TripleTier™ (15 000 BTU [Unités thermiques britanniques]) procure le plus haut réglage de chaleur et 3 réglages pour le mijotage. C'est idéal pour la cuisson de grandes quantités d'aliments ou de liquides et pour l'utilisation de grandes marmites et casseroles.

### Réglages sur haute puissance

#### Réglage :

1. Pousser et tourner le bouton dans le sens antihoraire sur LITE (allumer).  
Tous les brûleurs de surface émettront un déclic. Seul le brûleur de mijotage dont le bouton est tourné sur LITE produira une flamme.
2. Pousser et tourner le bouton dans le sens antihoraire sur POWER BURNER HI (brûleur puissance élevée). Les trois brûleurs produiront une flamme.
3. Tourner le bouton n'importe où entre POWER BURNER HI (brûleur puissance élevée) et POWER BURNER LO (brûleur puissance basse).

Utiliser le tableau suivant comme guide lors du réglage des niveaux de chaleur des brûleurs.

RÉGLAGE SUR HAUTE PUISSANCE	UTILISATION RECOMMANDÉE
<b>HI</b> (puissance élevée)	<ul style="list-style-type: none"> <li>■ Pour commencer la cuisson des aliments.</li> <li>■ Pour porter un liquide à ébullition.</li> <li>■ Cuisson avec Wok.</li> </ul>
<b>MED</b> (puissance moyenne)	<ul style="list-style-type: none"> <li>■ Pour maintenir une ébullition lente.</li> <li>■ Pour frire la volaille ou la viande.</li> <li>■ Pour faire cuire des crèmes, sauces ou glaçages.</li> </ul>
<b>LO</b> (puissance basse)	<ul style="list-style-type: none"> <li>■ Pour frire ou sauter les aliments.</li> <li>■ Pour maintenir une ébullition lente.</li> </ul>

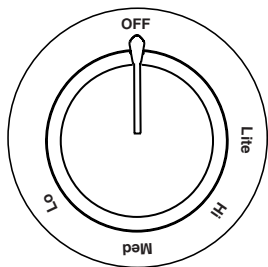
### Réglages de mijotage :

1. Pousser et tourner le bouton dans le sens antihoraire sur Lite (allumer).  
Tous les brûleurs de surface émettront un déclic. Seul le brûleur de mijotage dont le bouton est tourné sur LITE produira une flamme.
2. Pousser et tourner le bouton dans le sens antihoraire n'importe où entre SIMMER BURNER HI (brûleur de mijotage à puissance élevée) et SIMMER BURNER LO (brûleur de mijotage à puissance basse).

Utiliser le tableau suivant comme guide lors du réglage des niveaux de chaleur du brûleur de mijotage.

RÉGLAGES DE MIJOTAGE	UTILISATION RECOMMANDÉE
<b>LITE</b>	<ul style="list-style-type: none"> <li>■ Pour allumer le brûleur.</li> </ul>
<b>HI</b> (puissance élevée)	<ul style="list-style-type: none"> <li>■ Pour cuire les sauces épaisses comme la sauce tomate et le chili.</li> <li>■ Pour mijoter ou faire cuire les aliments à la vapeur.</li> </ul>
<b>MED</b> (puissance moyenne)	<ul style="list-style-type: none"> <li>■ Pour faire cuire les aliments de consistance moyenne comme les potages en crème et les sauces.</li> </ul>
<b>LO</b> (puissance basse)	<ul style="list-style-type: none"> <li>■ Pour garder les aliments au chaud.</li> <li>■ Pour faire fondre le chocolat ou le beurre.</li> <li>■ Pour faire mijoter.</li> </ul>

## Commande de grand, moyen et petit brûleur



**REMARQUE :** Les réglages sont indiqués sur le bouton de commande.

Toutes les commandes de brûleur permettent une gamme de réglages de cuisson de HI (élevée) à LO (basse).

Le grand brûleur standard (14 000 BTU) procure le plus haut réglage de chaleur et est idéal pour la cuisson de grandes quantités d'aliments ou de liquides et l'utilisation de grandes marmites et casseroles.

Le brûleur moyen (12 500 BTU) procure le réglage de chaleur élevée et est parfait pour la cuisson de grandes quantités d'aliments ou de liquides et l'utilisation de moyennes marmites et casseroles de taille moyenne.

Les petits brûleurs (6000 BTU) sont parfaits pour la cuisson de petites quantités d'aliments ou de liquides et l'utilisation de marmites et casseroles plus petites. La puissance plus basse permet un contrôle plus précis du mijotage au réglage le plus bas.

### Réglage :

1. Pousser et tourner le bouton dans le sens antihoraire sur LITE (allumer).

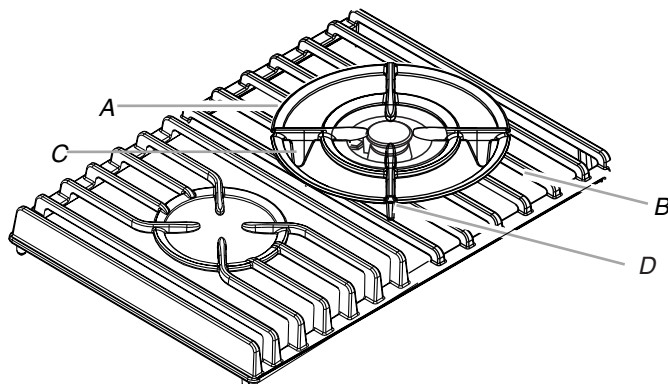
Tous les brûleurs de surface émettront un déclic. Seul le brûleur dont le bouton est tourné sur LITE produira une flamme.

2. Tourner le bouton n'importe où entre HI et LO.

Utiliser le tableau suivant comme guide lors du réglage des niveaux de chaleur.

RÉGLAGE	UTILISATION RECOMMANDÉE
<b>HI</b> (puissance élevée)	<ul style="list-style-type: none"> <li>■ Pour porter un liquide à ébullition.</li> </ul>
<b>MED-HI</b> (puissance moyenne à élevée)	<ul style="list-style-type: none"> <li>■ Pour maintenir une ébullition rapide.</li> <li>■ Pour brunir ou saisir rapidement les aliments.</li> </ul>
<b>MED</b> (puissance moyenne)	<ul style="list-style-type: none"> <li>■ Pour maintenir une ébullition lente.</li> <li>■ Pour frire la volaille ou la viande.</li> </ul>
<b>MED-LO</b> (puissance moyenne à basse)	<ul style="list-style-type: none"> <li>■ Pour faire cuire une crème, une sauce ou un glaçage.</li> <li>■ Pour faire cuire à l'étouffée ou à la vapeur les aliments.</li> </ul>
<b>LO</b> (puissance basse)	<ul style="list-style-type: none"> <li>■ Pour garder les aliments au chaud.</li> <li>■ Pour faire fondre le chocolat ou le beurre.</li> <li>■ Pour faire mijoter.</li> </ul>

## Brûleur à flamme TripleTier™ avec anneau InstaWok™



- A. Anneau InstaWok™
- B. Base de la grille
- C. Supports de Wok dirigés vers le bas (pour utilisation avec des ustensiles à fond plat)
- D. Guides de support

Le brûleur à flamme TripleTier™ avec anneau InstaWok™ est un brûleur multifonctions qui permet d'effectuer toutes sortes de cuissons, de l'ébullition rapide au mijotage à température très basse.

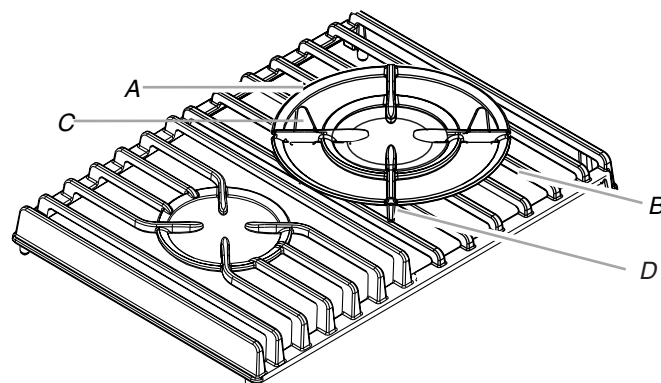
Le brûleur à flamme TripleTier™ avec anneau InstaWok™ est actionné par un bouton de commande à deux soupapes qui régit deux brûleurs distincts. Voir la section "Brûleur TripleTier™ à haute puissance et bas réglages de mijotage".

L'anneau InstaWok™ supporte les wok de 12" à 14" (30,5 cm à 35,6 cm) et on peut le retourner pour en faire une grille plate à utiliser avec les ustensiles de cuisine à fond plat.

**IMPORTANT :** L'anneau InstaWok doit être bien en place lorsqu'on utilise le brûleur TripleTier™.

### Utilisation de l'anneau InstaWok™ :

1. S'assurer que le bouton de commande est en position OFF (arrêt) et que la grille a complètement refroidi avant de la manipuler.
2. Retirer la grille de la table de cuisson et la retourner de façon à ce que les supports de wok soient dirigés vers le haut.



- A. Anneau InstaWok™
- B. Base de la grille
- C. Supports de Wok dirigés vers le haut
- D. Guides de support

3. Placer l'anneau du wok à l'intérieur des guides.

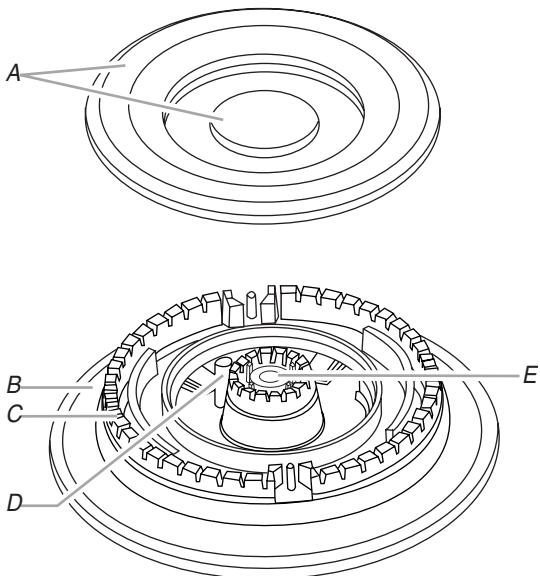
## Brûleurs de surface

**IMPORTANT :** Ne pas entraver l'évacuation de l'air de combustion et de ventilation autour des grilles de brûleur. Avant le nettoyage, s'assurer que toutes les commandes sont éteintes et que le four et la table de cuisson sont froids. Ne pas utiliser de nettoyants à four, d'eau de Javel ou de décapants à rouille.

### Alignement des chapeaux de brûleur

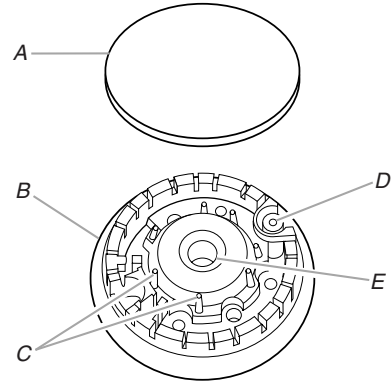
Toujours garder le chapeau de brûleur en place lorsqu'un brûleur de surface est utilisé. Un chapeau de brûleur propre empêche les problèmes de mauvais allumage et de flammes inégales. Toujours nettoyer le chapeau du brûleur après un renversement de produits et enlever et nettoyer régulièrement les chapeaux tel qu'indiqué à la section "Nettoyage général".

### Brûleur à flamme TripleTier™



- A. Chapeau de brûleur à flamme TripleTier™
- B. Base du brûleur
- C. Tiges d'alignement
- D. Allumeur
- E. Ouverture du tube d'arrivée de gaz

### Brûleur standard



- A. Chapeau de brûleur
- B. Base du brûleur
- C. Tiges d'alignement
- D. Allumeur
- E. Ouverture du tube d'arrivée de gaz

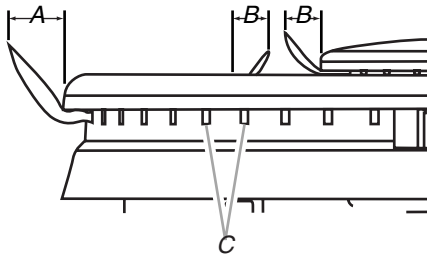
### Ouverture du tube d'arrivée de gaz

Pour que la flamme s'allume correctement, il faut que le gaz puisse passer librement à travers l'ouverture du tube. Garder cette zone propre et ne pas laisser les produits renversés, les aliments, les agents de nettoyage ou tout autre produit pénétrer dans l'ouverture du tube d'arrivée de gaz. La protéger contre les renversements en utilisant toujours un chapeau de brûleur.

### Orifices de brûleur

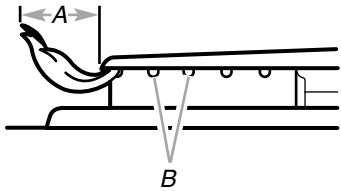
Examiner occasionnellement les flammes des brûleurs pour en vérifier la taille et la forme tel qu'indiqué ci-dessus. Une bonne flamme est bleue, pas jaune. Garder cette zone propre et ne pas laisser les produits renversés, les aliments, les agents de nettoyage ou tout autre produit pénétrer dans les orifices de brûleur.

### Brûleur à flamme TripleTier™



- A.  $\frac{3}{4}$ " (19,1 mm)
- B.  $\frac{3}{8}$ " (9,53 mm)
- C. Orifices du brûleur

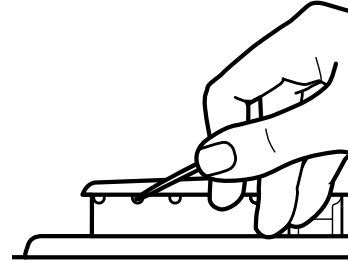
### Brûleur standard



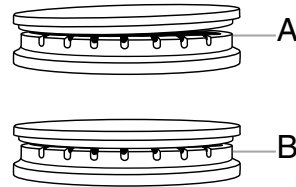
- A. 1-1½" (25-38 mm)
- B. Orifices du brûleur

### Nettoyage :

1. Enlever le chapeau de brûleur de la base du brûleur et nettoyer tel qu'indiqué à la section "Nettoyage général".
2. Nettoyer l'ouverture du tube d'arrivée de gaz avec un chiffon humide.
3. Nettoyer les orifices de brûleur obstrués avec une épingle tel qu'indiqué. Ne pas agrandir ni déformer l'orifice. Ne pas utiliser un cure-dents en bois. Si le brûleur a besoin d'être ajusté, contacter un technicien de réparation qualifié.



4. Réinstaller le chapeau du brûleur et s'assurer que les tiges d'alignement sur le chapeau sont bien alignées avec la base du brûleur.

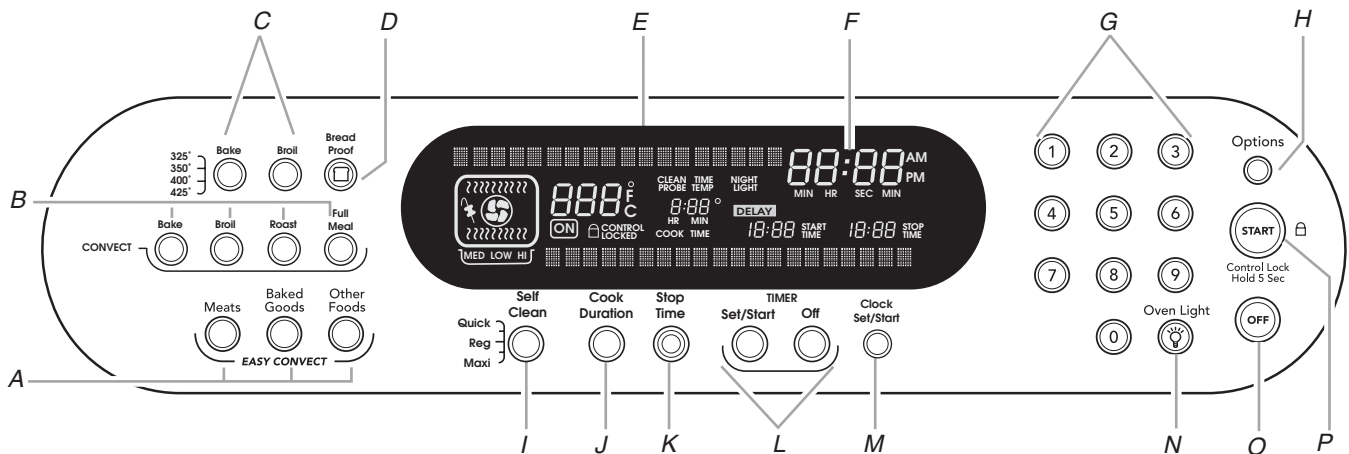


- A. Incorrect
- B. Correct

5. Allumer le brûleur. Si le brûleur ne s'allume pas, vérifier l'alignement du chapeau. Si le brûleur ne s'allume toujours pas, ne pas faire vous-même l'entretien d'un brûleur scellé. Contacter un technicien de réparation qualifié.

# COMMANDE ÉLECTRONIQUE DU FOUR

## Style 1 (Modèles KGRA806, KGRK806 et KGSA906)

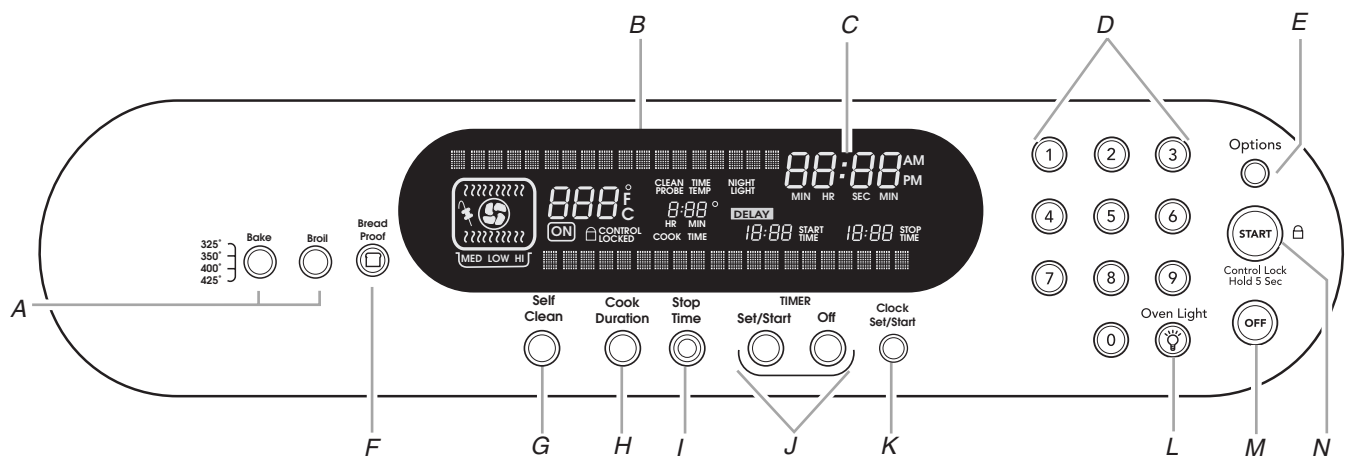


- A. Conversion EASY CONVECT™
- B. Réglages du four à convection
- C. Réglages du four
- D. Réglage pour la levée du pain
- E. Afficheur du four
- F. Affichage horloge/heure

- G. Touches numériques
- H. Touche de sélection des options
- I. Autonettoyage
- J. Durée de la cuisson (durée du temps de cuisson)
- K. Heure d'arrêt

- L. Minuterie
- M. Horloge réglage/mise en marche
- N. Lampe du four marche/arrêt
- O. Arrêt
- P. Mise en marche (verrouillage des commandes)

## Style 2 (Modèles KGRI801 et KGS1901)



- A. Réglages du four
- B. Afficheur du four
- C. Affichage horloge/heure
- D. Touches numériques
- E. Touche de sélection des options

- F. Réglage pour la levée du pain
- G. Autonettoyage
- H. Durée de la cuisson (durée du temps de cuisson)
- I. Heure d'arrêt
- J. Minuterie

- K. Horloge réglage/mise en marche
- L. Lampe du four marche/arrêt
- M. Arrêt
- N. Mise en marche (verrouillage des commandes)

---

## Touches de commande électroniques

Lorsqu'on appuie sur une touche de commande de fonction sur la commande électronique du four, appuyer sur la fonction désirée du bout du doigt. Appuyer sur la touche pendant quelques secondes, ou jusqu'à ce que la fonction désirée apparaisse sur l'affichage.

Lorsqu'on entre de multiples fonctions dans un réglage, faire un brève pause entre chaque commande. Si l'on appuie sur une touche de commande plusieurs fois de façon répétée, il se peut que la touche cesse de fonctionner pendant un court moment. Attendre quelques secondes, et la touche devrait fonctionner à nouveau normalement.

---

## Afficheurs du four

Lorsqu'on utilise le four, l'affichage indique la température du four, la ou les source(s) de chaleur et l'heure de mise en marche. Lors de la cuisson minutée, cet affichage indique également une compte à rebours des minutes et l'heure d'arrêt (si entrée).

Si "Err" apparaît sur l'affichage c'est qu'on a appuyé sur la mauvaise touche. Appuyer sur OFF (arrêt) puis recommencer. Lorsque le four n'est pas utilisé, cet affichage est vierge.

---

## Mise en marche

La touche START démarre toutes les fonctions du four à l'exception de la minuterie, du verrouillage des commandes et du mode Sabbat. Si l'on n'appuie pas sur cette touche dans les 5 secondes après avoir appuyé sur une touche, "START?" apparaîtra sur l'afficheur du four à titre de rappel. Si l'on n'appuie pas sur cette touche dans les 5 minutes après avoir appuyé sur une touche, l'affichage du four retourne au mode inactif (vierge) et la fonction programmée est annulée.

---

## Verrouillage des commandes

Le verrouillage des commandes éteint les touches de commande afin d'empêcher l'utilisation non intentionnelle du four. Le verrouillage des commandes est programmé non verrouillé mais peut être verrouillé.

Lorsque la commande est verrouillée, seules les touches TIMER SET/START (réglage de la minuterie/mise en marche) et TIMER OFF (arrêt minuterie) fonctionnent.

**Pour verrouiller/déverrouiller la commande :** Avant le verrouillage, s'assurer que le four, la minuterie et la cuisson minutée sont éteints. Appuyer sur la touche START (mise en marche) pendant 5 secondes jusqu'à ce que CONTROL LOCK (verrouillage de la commande) s'affiche. Recommencer pour déverrouiller et effacer CONTROL LOCK.

---

## Arrêt

La touche OFF arrête toutes les fonctions du four à l'exception de l'horloge, de la minuterie et du verrouillage des commandes.

---

## Affichage Horloge/Minuterie

Il s'agit d'une horloge de 12 heures.

1. Appuyer sur CLOCK SET/START (réglage de l'horloge/mise en marche).
2. Appuyer sur les touches numériques pour régler l'heure.
3. Appuyer sur CLOCK SET/START (réglage de l'horloge/mise en marche).

---

# OPTIONS

---

## Touche de sélection des options

La touche de sélection des OPTIONS permet d'accéder à des fonctions spéciales parmi les commandes électroniques du four et d'adapter l'appareil à vos besoins. Ces fonctions spéciales permettent de changer la température du four de Fahrenheit à Celsius, de mettre en marche ou éteindre les signaux sonores et les indicateurs et d'ajuster le calibrage du four. Le mode Sabbat peut également être programmé en utilisant la touche de sélection des OPTIONS.

Utilisation : Appuyer sur OPTIONS. L'afficheur du four va faire défiler les différentes options, en commençant par 1 et en finissant par 0. On peut aussi appuyer sur la touche de sélection des OPTIONS et la touche numérique pour rapidement accéder à la fonction cachée désirée.

OPTIONS	FONCTION SPÉCIALE
1	Conversion Fahrenheit et Celsius
2	Signaux sonores On/Off (mise en marche/arrêt)
3	Signaux sonores Élevé/Bas
4	Signaux sonores de fin de cuisson On/Off
6	Calibrage de la température du four
7	Mode Sabbat

---

## Fahrenheit et Celsius

Appuyer sur options, puis sur 1 sur le clavier pour les degrés Celsius. Répéter l'opération pour revenir aux degrés Fahrenheit.

---

## Signaux sonores

Les signaux sonores indiquent ce qui suit :

### Un bip

- Fonction entrée

### Trois bips

- Appui sur une touche non valide

### Signaux sonores de la fin du compte à rebours

Trois sonneries retentissent lorsque la minuterie atteint zéro. Ceci peut se produire lorsqu'on utilise la minuterie pour des fonctions autres que la cuisson.

## Signaux sonores de fin de la durée de cuisson

Trois bips indiquent la fin d'un programme de cuisson.

**Pour mettre en marche/arrêter :** Appuyer sur OPTIONS, puis sur 4 pour mettre en marche. Appuyer sur OPTIONS, puis sur 4 pour arrêter.

## Signaux sonores de fin de préchauffage

Une sonnerie indique qu'un programme de préchauffage a été effectué.

## Tous les signaux sonores

Tous les signaux sonores sont pré-réglés sur ON (marche), mais peuvent être désactivés (OFF). Pour activer les signaux sonores, appuyer sur la touche des options, puis sur la touche 2. Pour désactiver les signaux, appuyer à nouveau sur la touche des options, puis sur la touche 2.

## Volume des signaux sonores

Le volume est pré-réglé à fort, mais il peut être baissé.

**Modification :** Appuyer sur OPTIONS puis sur 3 pour baisser le volume. Appuyer sur options 3 pour augmenter le volume des signaux sonores.

## Calibrage de la température du four

**IMPORTANT :** Ne pas utiliser de thermomètre pour mesurer la température du four car l'ouverture de la porte du four durant un programme peut provoquer des lectures incorrectes.

Le four fournit des températures précises; toutefois, il peut cuire plus rapidement ou plus lentement que votre ancien four, de sorte que le calibrage de la température peut être ajusté. Il peut être changé en degrés Fahrenheit ou Celsius.

Un signe moins signifie que la température du four sera plus basse du nombre de degrés affiché. L'absence de signe signifie que la température du four sera plus élevée du nombre de degrés affiché. Se servir du tableau suivant comme guide.

AJUSTEMENT EN °F (CHANGEMENT AUTOMATIQUE EN °C)	CUIT LES ALIMENTS
10°F (5°C)	...un peu plus
20°F (10°C)	...modérément plus
30°F (15°C)	...beaucoup plus
-10°F (-5°C)	...un peu moins
-20°F (-10°C)	...modérément moins
-30°F (-15°C)	...beaucoup moins

## Ajustement du calibrage de la température du four :

1. Appuyer sur OPTIONS, puis sur 6 pour régler le calibrage.
2. Appuyer sur 3 pour augmenter la température ou appuyer sur 6 pour la réduire.
3. Appuyer sur START pour arrêter le calibrage.

## Minuterie

La minuterie peut être réglée en minutes et secondes ou en heures et minutes et procède à un compte à rebours de la durée réglée.

**REMARQUE :** La minuterie ne met pas en marche ou n'arrête pas le four.

1. Appuyer sur TIMER SET/START (réglage de la minuterie/mise en marche).  
Appuyer à nouveau pour passer des MIN/SEC aux HR/MIN.  
Si aucune fonction n'est entrée après 4 minutes, l'afficheur retourne au mode d'affichage de l'heure.
2. Appuyer sur les touches numériques pour régler la durée.
3. Appuyer sur TIMER SET/START (réglage de la minuterie/mise en marche) pour mettre la minuterie en marche.  
Si l'on n'appuie pas sur la touche en moins de 4 minutes, l'afficheur retourne au mode d'affichage de l'heure et la fonction programmée est annulée.  
À la fin de la durée réglée, la minuterie émet des signaux sonores de fin de programme, puis des signaux sonores de rappel retentissent toutes les minutes.
4. Appuyer sur TIMER OFF (minuterie - arrêt) à tout moment pour annuler la minuterie et/ou arrêter les signaux de rappel.  
Ne pas oublier que si l'on appuie sur OFF (arrêt), le four s'éteindra.
5. La durée de cuisson peut être réglée de nouveau durant le compte à rebours en répétant les étapes ci-dessus.

## UTILISATION DU FOUR

Les odeurs et la fumée sont normales lorsque le four est utilisé pour les premières fois ou lorsqu'il est très sale.

**IMPORTANT :** La santé de certains oiseaux est extrêmement sensible aux émanations. L'exposition à ces émanations peut causer la mort de certains oiseaux. Toujours déplacer les oiseaux dans une autre pièce fermée et bien aérée.

## Papier d'aluminium

**IMPORTANT :** Ne pas garnir le fond du four avec tout type de papier d'aluminium, garnitures ou ustensiles de cuisson car le fini du fond du four subira des dommages permanents.

- Pour les modèles munis d'évents inférieurs, ne pas obstruer ni couvrir ces évents.
- Ne pas recouvrir la totalité de la grille avec une feuille d'aluminium; l'air doit pouvoir circuler librement pour les meilleurs résultats de cuisson.
- Pour récupérer les résidus de renversement, placer une feuille de papier d'aluminium sur la grille sur laquelle le mets est placé. Veiller à ce qu'elle dépasse d'environ 1/2" (1,25 cm) tout autour du plat et à ce que les bords soient relevés.

## Ustensiles de cuisson

Le matériau des ustensiles de cuisson affecte les résultats de cuisson. Suivre les recommandations du fabricant et utiliser le format d'ustensiles recommandé dans la recette. Se servir du tableau suivant comme guide.

USTENSILES DE CUISSON/ RÉSULTATS	RECOMMANDATIONS
<b>Aluminium légèrement coloré</b> <ul style="list-style-type: none"> <li>■ Croûtes légèrement dorées</li> <li>■ Brunissage égal</li> </ul>	<ul style="list-style-type: none"> <li>■ Utiliser la température et la durée recommandées dans la recette.</li> </ul>
<b>Aluminium foncé et autres ustensiles de cuisson avec fini foncé, terne et/ou antiadhésif</b> <ul style="list-style-type: none"> <li>■ Croûtes brunes, croustillantes</li> </ul>	<ul style="list-style-type: none"> <li>■ Peut nécessiter de réduire les températures de cuisson de 25°F (15°C).</li> <li>■ Utiliser la durée de cuisson suggérée.</li> <li>■ Pour les tartes, pains et mets en sauce, utiliser la température recommandée dans la recette.</li> <li>■ Placer la grille au centre du four.</li> </ul>
<b>Tôles à biscuits ou moules à cuisson à isolation thermique</b> <ul style="list-style-type: none"> <li>■ Brunissage faible ou non existant à la base</li> </ul>	<ul style="list-style-type: none"> <li>■ Placer à la troisième position au bas du four.</li> <li>■ Peut nécessiter d'augmenter le temps de cuisson.</li> </ul>
<b>Acier inoxydable</b> <ul style="list-style-type: none"> <li>■ Croûtes dorées, légères</li> <li>■ Brunissage inégal</li> </ul>	<ul style="list-style-type: none"> <li>■ Peut nécessiter d'augmenter le temps de cuisson.</li> </ul>
<b>Plats en grès</b> <ul style="list-style-type: none"> <li>■ Croûtes croustillantes</li> </ul>	<ul style="list-style-type: none"> <li>■ Suivre les instructions du fabricant.</li> </ul>
<b>Plats en verre, vitrocéramique ou céramique allant au four</b> <ul style="list-style-type: none"> <li>■ Croûtes brunes, croustillantes</li> </ul>	<ul style="list-style-type: none"> <li>■ Peut nécessiter de réduire la température de cuisson de 25°F (15°C).</li> </ul>

## Thermomètre à viande

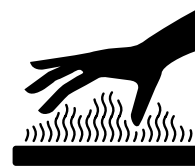
Sur les modèles sans sonde thermométrique, toujours se servir d'un thermomètre à viande pour vérifier la cuisson de la viande ou de la volaille. C'est la température interne qui importe et non l'apparence. Il n'y a pas de thermomètre à viande fourni avec cet appareil.

- Insérer le thermomètre au centre de la partie la plus épaisse de la viande ou à l'intérieur de la cuisse ou de la poitrine de la volaille. La pointe du thermomètre ne doit pas toucher le gras, l'os ou le cartilage.
- Après une première lecture, enfoncer ½" (1,25 cm) de plus et faire une autre lecture. Si la température est plus basse, faire cuire la viande ou la volaille plus longtemps.
- Vérifier toute viande à 2 ou 3 endroits.

## Sonde thermométrique

(sur certains modèles)

### ⚠ AVERTISSEMENT



#### Risque de brûlures

**Utiliser des mitaines de four pour retirer la sonde thermométrique.**

**Ne pas toucher l'élément du grill.**

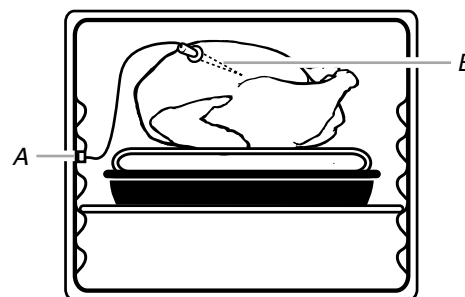
**Le non-respect de ces instructions peut causer des brûlures.**

La sonde thermométrique mesure exactement la température interne de la viande, de la volaille et des plats en sauce et devrait être utilisée pour déterminer le degré de cuisson de la viande et de la volaille. Elle ne devrait pas être utilisée durant la cuisson au grill "maxi" et "écono", la cuisson au grill par convection et la levée du pain.

Toujours débrancher et retirer la sonde thermométrique du four au moment de retirer les aliments du four.

#### Utilisation :

Avant l'utilisation, insérer la sonde dans le centre de la portion de viande la plus épaisse ou à l'intérieur de la cuisse ou de la poitrine de la volaille, en dehors des parties de gras ou de l'os, tel qu'illustré ci-dessous. Placer les aliments au four et brancher la sonde thermométrique dans la fiche. Garder la sonde aussi loin que possible de la source de chaleur. Fermer la porte du four.



A. Fiche de la sonde thermométrique

B. Sonde thermométrique

1. Appuyer sur les touches numériques pour entrer une température de sonde autre que 160°F (71°C). La sonde peut être réglée entre 130°F et 190°F (54°C et 88°C).
2. Appuyer sur BAKE (cuisson au four), CONVECT BAKE (cuisson au four par convection) ou CONVECT ROAST (rôtissage par convection).

Appuyer sur les touches numériques pour entrer une température autre que celle affichée.



3. Appuyer sur START (mise en marche).

La température du four choisie apparaît sur l’afficheur tout au long de la cuisson.

“Lo°” apparaît sur l’afficheur jusqu’à que la température interne des aliments atteigne 130°F (54°C). Ensuite, l’afficheur indique l’augmentation de la température par tranches de 1°.

Lorsque la température de la sonde est atteinte, le four s’éteint automatiquement et “End” (fin) apparaît sur l’afficheur du four.

Les signaux de fin de programme se font entendre (si activés).

- 4. Insérer à nouveau la sonde dans une autre partie de l’aliment pour confirmer la température.
- 5. Appuyer sur OFF (arrêt) ou ouvrir la porte du four pour désactiver l’afficheur.

**Changement de la température de la sonde et réglage du four :**

Répéter les étapes précédentes.

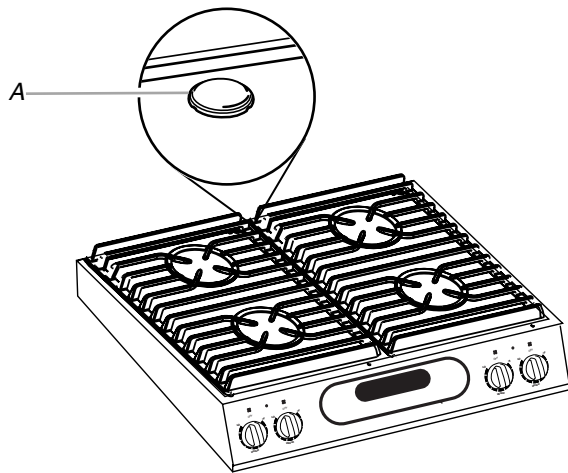
Si l’on appuie sur OFF (arrêt) en tout temps lors du changement de la température de la sonde, la fonction réglée est annulée automatiquement et il est nécessaire de régler de nouveau l’utilisation de la fonction de la sonde thermométrique.

Pour régler de nouveau après avoir appuyé sur OFF, débrancher la sonde de la prise, puis la rebrancher. Fermer la porte du four et répéter les étapes précédentes.

Après la cuisson, débrancher la sonde et sortir l’aliment du four. L’icône de la sonde demeurera allumée jusqu’à ce que la sonde soit déconnectée de la prise.

Voir la section “Nettoyage général” pour nettoyer la sonde.

**Évent du four**



A. Évent du four

L’évent du four ne doit pas être bloqué ou recouvert car il permet d’évacuer du four l’air chaud et l’humidité. Dans un tel cas, la mauvaise circulation d’air affecterait la cuisson et le nettoyage. Ne jamais placer près de l’évent des objets en plastique, en papier ou en un matériau qui pourrait fondre ou brûler.

**Positionnement des grilles et des ustensiles de cuisson**

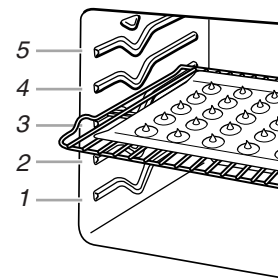
**IMPORTANT :** Ne pas placer les aliments ou les ustensiles de cuisson directement sur la porte ou le fond du four. Des dommages permanents au fini en porcelaine pourraient en résulter.

**GRILLES**

**REMARQUES :**

- Positionner les grilles avant d’allumer le four.
- Ne pas déplacer les grilles sur lesquelles repose un ustensile de cuisson.
- S’assurer que les grilles sont de niveau.

Pour retirer une grille, la tirer jusqu’à la position d’arrêt, soulever le bord avant et la sortir. Utiliser le schéma et le tableau suivants comme guide.



**Cuisson traditionnelle**

ALIMENT	POSITION DE LA GRILLE
Tartes congelées, gros rôtis, dindes et gâteaux des anges	1 ou 2
Gâteaux Bundt, la plupart des pains éclairs, pains à la levure, mets en sauce et viandes	2
Biscuits, muffins, gâteaux et tartes non congelées	2 ou 3

**Cuisson par convection**

RÉGLAGE DU FOUR	NOMBRE DE GRILLES UTILISÉES	POSITION(S) DE LA GRILLE
Cuisson par convection	1	1, 2 ou 3
Cuisson par convection	2	2 et 4
Cuisson par convection	3	1, 3 et 5
Rôtissage par convection	1	1, 2 ou 3
Gril par convection	1	3 ou 4

## USTENSILES DE CUISSON

L'air chaud doit pouvoir circuler autour de l'aliment pour le cuire uniformément. Laisser 1" (2,5 cm) d'espace entre les ustensiles de cuisson et les parois du four. Se servir du tableau suivant comme guide.

NOMBRE D'USTENSILES	POSITION SUR LA GRILLE
1	Centre de la grille.
2	Côte à côte ou légèrement décalés.
3 ou 4	Dans les coins opposés sur chaque grille. Décaler les ustensiles de cuisson de sorte qu'aucun ne soit directement au-dessus de l'autre.

## Demi-grille de four avec section amovible (sur certain modèles)



A. Section amovible  
B. Demi-grille de four

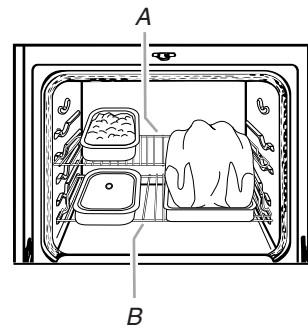
La demi-grille de four avec section amovible maximise l'espace. Lorsque les 2 grilles sont fixées, elles constituent une grille pleine largeur. La section amovible peut également être retirée pour accommoder des articles volumineux tels qu'une dinde ou des plats en sauce.

La section amovible peut aussi servir de grille de refroidissement sur un comptoir.

Ne pas placer plus de 25 lb (11,3 kg) sur la demi-grille de four du four ou sur la section amovible.

Avant l'autonettoyage, retirer la demi-grille de four avec section amovible pour qu'elle reste brillante et glisse facilement. Voir la section "Nettoyage général" dans le Guide d'utilisation et d'entretien pour plus de renseignements.

## Utilisation de la demi-grille de four avec section amovible :



A. Demi-grille de four (section amovible non illustrée)  
B. Grille de four pleine largeur

1. Placer une grille pleine largeur à la position 1 ou 2, et la demi-grille à la position 3 ou 4.
2. Placer les gros articles sur le côté droit de la grille pleine largeur.
3. Placer les plats couverts et plus profonds sur le côté gauche de la grille pleine largeur.
4. Placer les plats peu profonds sur la demi-grille.
5. À la fin de la cuisson, retirer le plat avec précaution.

## Cuisson au four

La fonction BAKE (cuisson au four) est idéale pour la cuisson, le rôtissage ou pour chauffer les mets en sauce.

Durant la cuisson au four ou le rôtissage, les éléments de cuisson au four et du gril s'allument et s'éteignent par intermittence afin de maintenir la température du four.

Si la porte du four est ouverte durant la cuisson au four ou le rôtissage, l'élément du gril s'éteint immédiatement et l'élément de cuisson au four s'éteint après un délai allant de 30 secondes à 2 minutes. Ces éléments se remettent en marche lorsqu'on referme la porte.

### Pour la cuisson au four ou le rôtissage :

Avant la cuisson au four et le rôtissage, placer les grilles tel qu'indiqué à la section "Positionnement des grilles et ustensiles de cuisson". Lors du rôtissage, il n'est pas nécessaire d'attendre que le four soit préchauffé avant d'y placer l'aliment sauf si la recette le recommande.

1. Appuyer une fois sur BAKE (cuisson au four) pour une température de 325°F (163°C) ou appuyer sur les touches numériques pour entrer une température. À chaque fois que vous appuyez à nouveau sur BAKE, la température augmente de 25 degrés.

2. Appuyer sur START (mise en marche).

"Lo°" apparaîtra sur l'affichage du four si la température réelle du four est inférieure à 170°F (77°C).

"Preheating" (préchauffage) apparaît sur l'afficheur lorsque la température du four est à 170°F (77°C). La température apparaît sur l'afficheur jusqu'à ce qu'elle ait atteint la température réglée.

Lorsque la température réglée est atteinte, un signal sonore se fait entendre (si activé).

3. Appuyer sur OFF (arrêt) lorsque la cuisson est terminée.

## Cuisson au gril

Ce gril utilise un brûleur à gaz et un élément électrique qui travaillent ensemble pour améliorer les performances de la fonction au gril sur la lèchefrite et la grille fournies.

- Utiliser seulement la lèchefrite et la grille fournies avec la cuisinière. Elles sont conçues pour laisser s'écouler les jus et empêcher les éclaboussures et la fumée.
- Pour un écoulement approprié, ne pas couvrir la grille de papier d'aluminium. Le fond de la lèchefrite peut être garni de papier d'aluminium pour faciliter le nettoyage.
- Enlever l'excès de gras pour réduire les éclaboussures. Entailler le gras restant pour l'empêcher de se cintrer.
- Retirer la grille jusqu'à la butée d'arrêt avant de tourner ou d'enlever les aliments. Utiliser des pinces pour tourner les aliments afin d'éviter la perte de jus. Les coupes très minces de poisson, volaille ou viande peuvent ne pas nécessiter d'être tournées.
- Après la cuisson au gril, sortir la lèchefrite du four lors de l'enlèvement de l'aliment. Ce qui reste au fond de la lèchefrite cuira si on laisse celle-ci dans un four encore chaud, ce qui rend le nettoyage plus difficile.

La cuisson au gril utilise une chaleur radiante directe pour cuire les aliments. Avant la cuisson au gril, placer la grille tel qu'indiqué dans le tableau de cuisson au gril. Il n'est pas nécessaire de préchauffer le four avant d'y mettre les aliments, excepté si la recette le recommande. Placer l'aliment sur la grille de la lèchefrite au centre de la grille du four.

### Cuisson au gril :

1. Fermer la porte du four.
2. Appuyer sur BROIL (cuisson au gril).
3. Appuyer sur START (mise en marche).
4. Appuyer sur OFF (arrêt) lorsque la cuisson est terminée.

### Cuisson au gril à température variable

Le changement de température avec Variable Temperature Broiling (cuisson au gril à température variable) permet un contrôle plus précis de la cuisson. Plus la température est basse, plus la cuisson est lente. Des coupes plus épaisses et des pièces de viande, de poisson et de volaille de formes inégales peuvent mieux cuire à des températures de cuisson au gril plus basses.

### Utilisation du gril à température variable :

1. Fermer la porte du four.
2. Appuyer sur BROIL (cuisson au gril).
3. Appuyer sur les touches numériques pour régler une température entre 300°F et 500°F (149°C et 260°C).
4. Appuyer sur START (mise en marche).  
La température peut être modifiée après cette étape. Il n'est pas nécessaire d'appuyer à nouveau sur START (mise en marche).
5. Appuyer sur OFF (arrêt) lorsque la cuisson est terminée.

## TABLEAU DE CUISSON AU GRIL

Pour obtenir les meilleurs résultats, placer l'aliment à 3" (7 cm) ou plus de l'élément du gril. Les durées de cuisson indiquées sont des recommandations et peuvent être ajustées selon les goûts individuels. Les positions recommandées de la grille sont indiquées de la base (1) jusqu'à 4. Pour un schéma, voir la section "Positionnement des grilles et ustensiles".

ALIMENTS	POSITION DE LA GRILLE	TEMP.	DURÉE TOTALE MIN.
<b>Bifteck</b> 1" (2,5 cm) d'épaisseur saignant à point	4 4	500°F (260°C)	14 16
bien cuit	4		18
<b>Bifteck</b> 1½" (3,8 cm) d'épaisseur saignant à point	4 4	500°F (260°C)	23 28
<b>Galettes de viande hachée*</b> 1" (2,5 cm) d'épaisseur bien cuites	4	500°F (260°C)	16-18
<b>Côtelettes de porc</b> 1" (2,5 cm) d'épaisseur	4	450°F (232°C)	25-28
<b>Tranche de jambon [précuit]</b> ½" (1,25 cm) d'épaisseur	4	500°F (260°C)	10-12
1" (2,5 cm) d'épaisseur	4		20-22
<b>Saucisses</b>	4	500°F (260°C)	8
<b>Côtelettes d'agneau</b> 1" (2,5 cm) d'épaisseur	4	400°F (204°C)	18-20
<b>Poulet</b> morceaux avec os	3	500°F (260°C)	32
<b>Poisson</b> ½" (1,25 cm) d'épaisseur	3	350°F (177°C)	20
1" (2,5 cm) d'épaisseur	3		20-22

\*Placer jusqu'à 9 galettes, également espacées, sur la grille de la lèchefrite.

## Cuisson par convection (sur certains modèles)

Dans un four à convection, l'air chaud que fait circuler le ventilateur distribue continuellement la chaleur plus uniformément que le mouvement naturel de l'air dans un four thermique standard. Ce déplacement de l'air chaud maintient une température uniforme dans tout le four, permettant de cuire les aliments plus uniformément, en plus de donner des surfaces croustillantes tout en y scellant l'humidité pour des pains plus croustillants.

La plupart des aliments peuvent être cuits en réduisant les températures de cuisson de 25°F à 50°F (14°C à 28°C) et la durée de cuisson peut être réduite jusqu'à 30 pour cent, surtout pour les gros rôtis et dindes.

- Il est important de ne pas couvrir les aliments de telle sorte que les surfaces demeurent exposées au déplacement de l'air, permettant ainsi le brunissage et le croustillage.

- Minimiser la perte de chaleur en ouvrant la porte du four seulement lorsque c'est nécessaire.
- Choisir des tôles à biscuits sans rebords et des plats de rôtissage à côtés plus bas pour permettre à l'air de circuler librement autour de l'aliment.
- Vérifier le degré de cuisson des aliments quelques minutes avant le temps de cuisson minimum, avec un cure-dent par exemple.
- Utiliser un thermomètre à viande ou une sonde thermométrique pour déterminer le degré de cuisson des viandes et de la volaille. Vérifier la température du porc et de la volaille à 2 ou 3 endroits.

## Conversion EASY CONVECT™ (sur certains modèles)

Les températures et les durées de cuisson sont différentes de celles de la cuisson standard. Selon la catégorie choisie, la conversion EASY CONVECT™ peut réduire automatiquement la température standard de la recette et/ou la durée réglée pour la cuisson par convection.

Les aliments sont groupés dans 3 catégories générales. Choisir la catégorie la plus appropriée pour l'aliment à faire cuire. Afin d'assurer des résultats de cuisson optimaux, le four incitera à faire la vérification des aliments à la fin de la période de cuisson non différée. Utiliser le tableau suivant comme guide.

RÉGLAGE	TYPE D'ALIMENTS
<b>VIANDES</b>	<b>Pommes de terre au four; poulet</b> : entier et en morceaux; <b>Pain de viande, rôtis</b> : porc, boeuf et jambon (La dinde et la grosse volaille ne sont pas mentionnées car leur durée de cuisson varie.)
<b>PRODUITS DE BOULANGERIE</b>	<b>Biscuits, pains</b> : à cuisson rapide, à levure <b>Gâteaux</b> : à étages, des anges <b>Plats en sauce</b> : entrées congelées, soufflés, biscuits, poisson
<b>AUTRES ALIMENTS</b>	<b>Aliments cuisinés</b> : frites, pépites, bâtonnets de poisson, pizza <b>Tartes</b> : fruits, flan

### Utilisation :

Avant d'utiliser la conversion de la température de convection pour BAKED GOODS (produits de boulangerie) et OTHER FOODS (autres aliments), laisser le four préchauffer avant de mettre les aliments au four.

1. Appuyer sur MEATS (viandes), BAKED GOODS ou OTHER FOODS.
2. Appuyer sur les touches numériques pour entrer la température de cuisson standard.
3. Appuyer sur les touches numériques pour entrer la durée de cuisson standard.
4. Appuyer sur START (mise en marche).  
"CHECK FOOD AT" (vérifier les aliments à) et l'heure d'arrêt apparaîtront sur l'afficheur.  
Quand l'heure d'arrêt est atteinte, des signaux de fin de programme se font entendre (si activés). Ouvrir la porte et vérifier les aliments.
5. Appuyer sur OFF (arrêt) pour éteindre le signal de rappel.

## Cuisson au four par convection (sur certains modèles)

La cuisson au four par convection peut être utilisée pour cuire des gâteaux délicats et des pâtisseries ainsi que des aliments sur plusieurs grilles. Il est utile de décaler les articles sur les grilles pour permettre un déplacement plus uniforme de la chaleur. Si le four est plein, il faudra un temps de cuisson supplémentaire.

Lors de la cuisson au four d'un repas comportant plusieurs types différents d'aliments, s'assurer de choisir des recettes nécessitant des températures semblables. Prévoir un espace d'au moins 1" (2,5 cm) entre l'ustensile de cuisson et les parois du four.

Lors du préchauffage pour la cuisson au four par convection, les éléments de cuisson au four et du gril chauffent la cavité du four. Après le préchauffage, l'élément de convection et l'élément de cuisson au four s'allument et s'éteignent par intermittence pour maintenir constante la température du four tandis que le ventilateur fait constamment circuler l'air chaud.

Si la porte du four est ouverte durant la cuisson au four par convection ou le préchauffage, les éléments du gril et de convection et le ventilateur s'éteignent immédiatement. Ils se remettent en marche lorsqu'on referme la porte.

- Réduire la température recommandée dans la recette de 25°F (14°C). La durée de cuisson peut aussi nécessiter d'être réduite.

### Cuisson au four par convection :

Avant la cuisson par convection, placer les grilles tel qu'indiqué dans la section "Positionnement des grilles et ustensiles de cuisson".

1. Appuyer sur CONVECT BAKE (cuisson au four par convection).

Appuyer sur les touches numériques pour entrer une température autre que 325°F (163°C). La température de cuisson au four par convection peut être réglée entre 170°F et 500°F (77°C et 260°C).

2. Appuyer sur START (mise en marche).

"Lo°" apparaîtra sur l'afficheur si la température réelle du four est inférieure à 170°F (77°C).

Lorsque la température réelle du four atteint 170°F (77°C), l'afficheur du four indique les augmentations de température du four par tranches de 1°.

Lorsque la température réglée est atteinte, un signal sonore de fin de préchauffage se fait entendre (si activé).

3. Appuyer sur OFF (arrêt) lorsque la cuisson est terminée.

## Rôtissage par convection

(sur certains modèles)

Le rôtissage par convection peut être utilisé pour faire rôtir les viandes et la volaille, ou pour faire cuire des pains levés et des pains éclairs sur une seule grille. Durant le rôtissage par convection, les éléments de cuisson au four et de gril s'allument et s'éteignent par intermittence pour maintenir la température du four et le ventilateur fait circuler constamment l'air chaud.

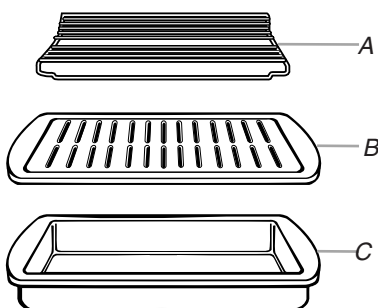
Si la porte du four est ouverte durant le rôtissage par convection, l'élément du gril et le ventilateur s'éteignent immédiatement. L'élément de cuisson au four s'éteindra après 2 minutes. Ils se remettent en marche dès que l'on referme la porte.

- Réduire la température dans la recette de 25°F (14°C). La durée de cuisson peut aussi nécessiter d'être réduite.

### Rôtissage par convection :

Avant le rôtissage par convection, placer les grilles tel qu'indiqué dans la section "Positionnement des grilles et ustensiles de cuisson". Il n'est pas nécessaire de préchauffer le four avant d'y placer l'aliment, excepté si la recette le recommande.

Utiliser la grille de rôtissage sur le dessus de la lèchefrite et de sa grille. L'aliment repose ainsi au-dessus de la grille de la lèchefrite et l'air peut circuler librement autour de toutes les surfaces.



A. Grille de rôtissage  
B. Grille de lèchefrite  
C. Lèchefrite

1. Appuyer sur CONVECT ROAST (Rôtissage par convection). Appuyer sur les touches numériques pour entrer une température autre que 300°F (149°C). La température de rôtissage par convection peut être réglée entre 170°F et 500°F (77°C et 260°C).
2. Appuyer sur START (mise en marche). "Lo" apparaîtra sur l'afficheur du four si la température réelle du four est inférieure à 170°F (77°C). Lorsque la température réelle du four atteint 170°F (77°C), l'afficheur du four montre l'augmentation de la température du four par tranches de 1°. Lorsque la température réglée est atteinte, un signal sonore de fin de préchauffage se fait entendre (si activé).
3. Appuyer sur OFF (arrêt) lorsque la cuisson est achevée.

## TABLEAU DE RÔTISSAGE PAR CONVECTION

ALIMENT/ POSITION DE LA GRILLE	DURÉE DE CUISSON (en minutes/lb [454g])	TEMP. DU FOUR	TEMP. INTERNE DE L'ALIMENT
<b>Boeuf, position de grille 2</b>			
<b>Rôti de côte</b>			
saignant	20-25	300°F (149°C)	140°F (60°C)
à point	25-30		160°F (71°C)
bien cuit	30-35		170°F (77°C)
<b>Rôti de côte</b> (désossé)			
saignant	22-25	300°F (149°C)	140°F (60°C)
à point	27-30		160°F (71°C)
bien cuit	32-35		170°F (77°C)
<b>Rôti de croupe ou d'ailon</b>			
saignant	20-25	300°F (149°C)	140°F (60°C)
à point	25-30		160°F (71°C)
bien cuit	30-35		170°F (77°C)
<b>Pain de viande</b>	20-25	325°F (163°C)	165°F (74°C)
<b>Veau, position de grille 2</b>			
<b>Rôti de longe, de côte, de croupe</b>			
à point	25-35	325°F (163°C)	160°F (71°C)
bien cuit	30-40		170°F (77°C)
<b>Porc, position de grille 2</b>			
<b>Rôti de longe (désossé)</b>	30-40	325°F (163°C)	160°F-170°F (71°C-77°C)
<b>Rôti d'épaule</b>	35-40	325°F (163°C)	160°F-170°F (71°C-77°C)
<b>Jambon, position de grille 2</b>			
<b>Frais (non cuit)</b>	25-35	300°F (149°C)	160°F (71°C)
<b>Entièrement cuit</b>	15-20	300°F (149°C)	160°F (71°C)
<b>Agneau, position de grille 2</b>			
<b>Gigot, rôti d'épaule</b>			
à point	25-30	300°F (149°C)	160°F (71°C)
bien cuit	30-35		170°F (77°C)
<b>Poulet*, position de grille 2</b>			
<b>Entier</b>			
3-5 lb (1,5-2,2 kg)	20-25	325°F (163°C)	180°F (82°C)
5-7 lb (2,2-3,1 kg)	15-20	325°F (163°C)	180°F (82°C)
<b>Dinde*, position de grille 1 ou 2</b>			
13 lb et moins (5,85 kg)	10-15	300°F (149°C)	180°F (82°C)
Plus de 13 lb (5,85 kg)	10-12	300°F (149°C)	180°F (82°C)
<b>Poulet de Cornouailles*, position de grille 2 ou 3</b>			
1-1,5 lb (0,5-0,7 kg)	50-60	325°F (163°C)	180°F (82°C)

\*Ne pas farcir la volaille lors du rôtissage par convection.

## Cuisson au gril par convection

(sur certains modèles)

Durant la cuisson au four par convection, les éléments du gril sont activés et désactivés par intermittence pour maintenir la température du four tandis que le ventilateur fait circuler constamment l'air chaud.

Les durées de cuisson varient en fonction de la position de la grille et de la température et il peut être nécessaire de les ajuster. La cuisson au gril par convection est idéale pour faire cuire des aliments tels que les coupes fines de viande, des filets de poisson, du poulet désossé et sans peau, des légumes et du pain à l'ail.

Si la porte du four est ouverte durant la cuisson par convection, les éléments du gril et le ventilateur s'éteignent après 30 secondes. Ils se remettent en marche dès que l'on referme la porte.

### Cuisson au gril par convection :

Avant la cuisson par convection, voir la section "Cuisson au gril" pour des directives générales sur la cuisson au gril. Placer la grille.

Placer les aliments sur la grille non chauffée de la lèchefrite, puis placer la lèchefrite au centre de la grille du four, avec le côté le plus long de la lèchefrite en parallèle avec la porte du four.

Fermer la porte.

1. Appuyer sur CONVECT BROIL (cuisson au gril par convection).

Appuyer sur les touches numériques pour entrer une température autre que 450°F (232°C). La température de cuisson au gril par convection peut être réglée entre 300°F et 500°F (149°C et 260°C).

2. Appuyer sur START (mise en marche).

La température du four choisie apparaîtra sur l'afficheur jusqu'à ce que le four soit éteint.

3. Appuyer sur OFF (arrêt) lorsque la cuisson est terminée.

## Repas complet par convection

(sur certains modèles)

La caractéristique Repas complet par convection vous permet de cuire des aliments différents pendant la même durée de cuisson s'ils nécessitent des températures de cuisson similaires. Le programme Convect Full Meal (repas complet par convection) propose 10 programmes de cuisson pré-réglés. Une seule touche programme le four, la température du four et la durée de cuisson ou la température de sonde. Utiliser le tableau suivant comme guide.

- Tous les aliments doivent être à la température du réfrigérateur ou à la température ambiante avant d'être placés au four. Les réglages et durées de cuisson ne sont pas prévus pour des aliments surgelés.

- Toujours s'assurer de la cuisson des viandes et volailles avec un thermomètre à viande. La cuisson des autres aliments peut être vérifiée par la couleur et la texture.

TOUCHE/ RÉGLAGE DU FOUR	TEMP. DU FOUR	DURÉE DE CUISSON ou TEMP. DE LA SONDE	ALIMENTS ou REPAS
1 Cuisson au four par convection	325°F (163°C)	1 h	Pain de viande, pommes de terre au four, gâteau renversé aux ananas
2 Rôtissage par convection	325°F (163°C)	1 h 30	Poitrine de dinde, farce, mets en sauce, croustade aux pêches
3 Rôtissage par convection	350°F (177°C)	40 min	Côtelettes de porc farcies, potiron, pudding de pain perdu
4 Cuisson au four par convection	375°F (191°C)	45 min	Poulet frit, pommes de terre dauphinoises, tarte aux cerises
5 Cuisson au four par convection	425°F (218°C)	20 min	Darnes de saumon cuites au four, pointes de légumes rôties, biscuits
6 Rôtissage par convection	325°F (163°C)	140°F (60°C)	Boeuf, saignant
7 Rôtissage par convection	325°F (163°C)	155°F (68°C)	Boeuf, à point ou porc
8 Rôtissage par convection	325°F (163°C)	165°F (74°C)	Boeuf, bien cuit
9 Rôtissage par convection	300°F (149°C)	135°F (56°C)	Bœuf braisé (3 lb [1,4 kg]) avec légumes
0 Cuisson au four par convection	325°F (163°C)	160°F (71°C)	Mets en sauce

### Utilisation :

Avant d'utiliser le programme Convect Full Meal (repas complet par convection), placer les aliments dans le four. Si la sonde de température est nécessaire, entrer la sonde dans l'aliment et connecter la sonde dans la fiche. Voir la section "Sonde thermométrique" pour une illustration.

1. Appuyer sur CONVECT FULL MEAL (repas complet par convection).
2. Appuyer sur la touche indiquée dans le tableau. Par exemple, les touches 1 à 0 ou CONVECT FULL MEAL (repas complet par convection).
3. Appuyer sur START (mise en marche).  
L'heure de début, l'heure d'arrêt, et la durée apparaissent sur l'afficheur du four.

Lorsque le programme est terminé, des signaux de fin de programme se font entendre, suivis de signaux de rappel à intervalles de 1 minute (si activés).

4. Appuyer sur OFF (arrêt) ou ouvrir la porte du four lorsque la cuisson est terminée pour effacer l'affichage.

## Mode Sabbat

Le mode Sabbat permet au four de demeurer sur un réglage de cuisson au four jusqu'à ce qu'on l'éteigne. Un mode Sabbat minuté peut également être programmé pour garder le four allumé seulement pendant une partie du mode Sabbat.

Lorsque le mode Sabbat est programmé, seules les touches numériques et de mise en marche fonctionnent; aucun signal sonore ne retentira et les afficheurs n'indiqueront aucun message ou changement de température. Les icônes de source de chaleur s'allumeront sur l'afficheur du four durant le mode Sabbat.

Lorsque la porte du four sera ouverte ou fermée, la lampe du four ne s'allumera pas ni ne s'éteindra et les éléments de chauffage ne s'allumeront pas ni ne s'éteindront immédiatement.

Si une panne d'électricité survient alors que le mode Sabbat est programmé, le four reviendra automatiquement au mode Sabbat mais ne sera plus en mode cuisson. L'indicateur "ON" (marche) sera alors éteint. Appuyer sur "OFF" (arrêt) pour revenir au mode de fonctionnement normal du four (ni mode sabbat, ni mode cuisson).

### Activation :

**IMPORTANT :** Avant que le mode Sabbat puisse être réglé normalement, le four doit d'abord être activé une seule et unique fois.

1. Ouvrir la porte du four.
2. Appuyer sur OFF (arrêt).
3. Appuyer sur les touches numériques 7, 8, 9, 6, dans cet ordre.
4. Appuyer sur START (mise en marche) pour activer le four. "SABBATH ENABLED" (mode Sabbat activé) apparaîtra sur l'afficheur.
5. Appuyer sur OFF (arrêt) pour effacer l'affichage.

### Désactivation :

Le four peut être désactivé de la capacité à régler le mode Sabbat en répétant les étapes précédentes. Voir la section "Activation". Lorsqu'il est désactivé, le mode Sabbat ne peut être réglé normalement avant d'être réactivé.

### Pour un réglage normal, non minuté :

1. Appuyer sur BAKE (cuisson au four). Appuyer sur les touches numériques pour entrer une température autre que 325°F (163°C). La température de cuisson au four peut être réglée entre 170°F et 500°F (77°C et 260°C).
2. Appuyer sur START (mise en marche). Le four commencera alors un programme de cuisson.
3. Appuyer sur OPTIONS, puis sur la touche numérique 7.
4. "SABBATH MODE" apparaît sur l'afficheur.

Pour un réglage normal, minuté :

## **! AVERTISSEMENT**

### Risque d'empoisonnement alimentaire

**Ne pas laisser des aliments dans un four plus d'une heure avant ou après la cuisson.**

**Le non-respect de cette instruction peut causer un empoisonnement alimentaire ou une maladie.**

1. Appuyer sur BAKE (cuisson au four). Appuyer sur les touches numériques pour entrer une température autre que 325°F (163°C). La température de cuisson au four peut être réglée entre 170°F et 500°F (77°C et 260°C).
2. Appuyer sur COOK DURATION (durée de cuisson).
3. Appuyer sur les touches numériques pour entrer la durée du mode Sabbat, jusqu'à 9 heures 59 minutes.
4. Appuyer sur START (mise en marche). Le four commencera alors un programme de cuisson minuté. L'heure de mise en marche et l'heure d'arrêt apparaîtront sur l'afficheur.
5. Appuyer sur OPTIONS, puis appuyer sur la touche numérique 7. "SABBATH MODE" apparaîtra sur l'afficheur.
6. Lorsque l'heure d'arrêt est atteinte, le four s'éteint automatiquement. La commande du four reste en mode Sabbat jusqu'à ce que l'on appuie sur le bouton "OFF" (arrêt).

### Changement de température

La température du four peut être modifiée lorsque le(s) four(s) est/sont au mode Sabbat. Aucun signal sonore ne retentira et l'affichage ne changera pas. Les éléments chauffants ne s'allumeront ou ne s'éteindront pas pendant un certain temps, entre 16 et 24 secondes. Le changement de température du four peut prendre jusqu'à une demi-heure.

Les touches numériques de 1 à 0 représentent diverses températures. Se servir du tableau suivant comme guide.

TOUCHE NUMÉRIQUE	TEMPÉRATURE DU FOUR
1	170°F (77°C)
2	200°F (95°C)
3	225°F (107°C)
4	250°F (120°C)
5	300°F (149°C)
6	325°F (163°C)
7	350°F (177°C)
8	375°F (191°C)
9	400°F (204°C)
0	450°F (232°C)

### Pour changer la température :

1. Appuyer sur la touche numérique indiquée dans le tableau.
2. Appuyer sur START (mise en marche).

## Levée du pain (sur certains modèles)

La levée du pain prépare la pâte pour la cuisson en faisant agir la levure. Suivre les instructions de la recette.

### Pour faire lever le pain :

Avant la première levée, placer la pâte dans un moule légèrement graissé et recouvrir de papier ciré, enduit de shortening. Placer sur la grille en position 2, puis placer la lèchefrite en position 1. Voir la section "Positionnement des grilles et ustensiles de cuisson" pour un schéma. Verser deux tasses (500 mL) d'eau bouillante dans la lèchefrite. Fermer la porte.

1. Appuyer sur BREAD PROOF (levée de pain).  
L'afficheur indiquera 100°F (38°C).
2. Appuyer sur START (mise en marche).  
Laisser la pâte monter jusqu'à doubler de volume, en vérifiant après 20-25 minutes. La durée de levée dépend du type et de la quantité de pâte.
3. Appuyer sur OFF (arrêt) lorsque la levée du pain est terminée.  
Avant la deuxième levée, façonner la pâte, la placer dans un/des moule(s) et la recouvrir légèrement de pellicule de plastique enduite de vaporisant à cuisson. Suivre les mêmes étapes que précédemment concernant la position de la grille, la lèchefrite, l'eau et les opérations. Avant de faire cuire, enlever la pellicule de plastique.

## Cuisson minutée

### **⚠️ AVERTISSEMENT**

#### **Risque d'empoisonnement alimentaire**

**Ne pas laisser des aliments dans un four plus d'une heure avant ou après la cuisson.**

**Le non-respect de cette instruction peut causer un empoisonnement alimentaire ou une maladie.**

La cuisson minutée permet au four d'être réglé pour s'allumer à une certaine heure du jour, cuire pendant une durée établie, et/ou s'arrêter automatiquement. La mise en marche différée ne doit pas être utilisée pour des aliments tels que les pains et gâteaux parce qu'ils peuvent ne pas bien cuire.

### Réglage de la durée de cuisson :

1. Appuyer sur BAKE (cuisson au four), CONVECT BAKE (cuisson au four par convection) ou CONVECT ROAST (rôtissage par convection).  
Appuyer sur les touches numériques pour entrer une température autre que celle qui est affichée.
2. Appuyer sur COOK DURATION (durée de la cuisson).
3. Appuyer sur les touches numériques pour entrer la durée de cuisson.
4. Appuyer sur START (mise en marche).  
Sur certains modèles, l'heure de mise en marche, l'heure d'arrêt et le compte à rebours de la durée de cuisson apparaîtront sur l'afficheur du four.  
Lorsque l'heure d'arrêt est atteinte, le four s'arrête automatiquement et les signaux sonores de fin de programme se font entendre.

### Réglage de la durée de cuisson et de l'heure d'arrêt (mise en marche différée) :

Avant le réglage, s'assurer que l'horloge est réglée à la bonne heure. Voir la section "Affichage Horloge/Minuterie".

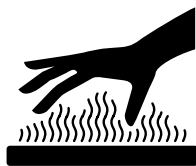
1. Appuyer sur BAKE (cuisson au four), CONVECT BAKE (cuisson au four par convection) ou CONVECT ROAST (rôtissage par convection).  
Appuyer sur les touches numériques pour entrer une température autre que celle qui est affichée.
2. Appuyer sur COOK DURATION (durée de la cuisson).
3. Appuyer sur les touches numériques pour entrer la durée de cuisson.
4. Appuyer sur STOP TIME (heure d'arrêt).
5. Appuyer sur les touches numériques pour entrer l'heure d'arrêt de la cuisson.  
L'heure de mise en marche est automatiquement calculée et affichée.  
"DELAY" (délai) et l'heure d'arrêt apparaîtront aussi sur l'afficheur du four.  
Lorsque l'heure de mise en marche est atteinte, le four s'allume automatiquement. Le compte à rebours de la durée de cuisson apparaît sur l'afficheur du four.  
Sur certains modèles, la température réglée et le compte à rebours de la durée en minutes apparaissent sur l'afficheur du four.  
Lorsque l'heure d'arrêt est atteinte, le four s'arrête automatiquement et les signaux sonores de fin de programme se font entendre.
7. Appuyer sur OFF (arrêt) ou ouvrir la porte du four pour arrêter les signaux de rappel.



# ENTRETIEN DE LA CUISINIÈRE

## Programme d'autonettoyage

### **AVERTISSEMENT**



#### Risque de brûlures

**Ne pas toucher le four au cours du programme d'autonettoyage.**

**Garder les enfants loin du four au cours du programme d'autonettoyage.**

**Le non-respect de ces instructions peut causer des brûlures.**

**IMPORTANT :** La santé de certains oiseaux est très sensible aux émanations qui surviennent durant le programme d'autonettoyage. L'exposition aux émanations peut entraîner la mort de certains oiseaux. Toujours déplacer les oiseaux dans une autre pièce fermée et bien aérée.

Procéder à l'autonettoyage du four avant qu'il ne devienne très sale. Les saletés intenses nécessitent un nettoyage plus long et dégagent plus de fumée.

Veiller à ce que la cuisine soit bien aérée pendant le programme d'autonettoyage afin d'éliminer la chaleur, les odeurs et la fumée.

Ne pas obstruer le ou les évent(s) du four durant le programme d'autonettoyage. L'air doit pouvoir circuler librement. Voir la section "Évent du four" ou "Événements du four", selon votre modèle.

Ne pas nettoyer, frotter, endommager ou déplacer le joint d'étanchéité de la porte du four. Le joint de la porte est essentiel pour une bonne étanchéité.

#### Préparation du four :

- Sortir la lèchefrite, la grille et les ustensiles de cuisson du four.
- Enlever tout papier d'aluminium du four qui risquerait de brûler ou de fondre et d'endommager le four.
- Sortir les grilles du four pour les garder brillantes et pour qu'elles glissent facilement. Voir la section "Nettoyage général" pour plus de renseignements.
- Nettoyer manuellement l'intérieur de la porte et une zone de 1 1/2" (3,8 cm) sur le pourtour du cadre de la cavité du four, en prenant soin de ne pas déplacer ni plier le joint d'étanchéité. Cette section ne devient pas assez chaude au cours du programme d'autonettoyage pour pouvoir éliminer la saleté. Ne pas laisser de l'eau, un nettoyant, etc. pénétrer dans les fentes sur le cadre de la porte. Nettoyer avec un chiffon humide.

- Essuyer toute saleté restante afin de réduire la fumée et éviter des dommages. À des températures élevées, les aliments réagissent avec la porcelaine. Cette réaction peut causer de légères taches blanches, des taches intenses ou des piqûres. Ceci n'affectera pas la performance de cuisson.

#### Préparation de la table de cuisson et du tiroir de remisage :

- Enlever les articles de plastique de la table de cuisson car ils peuvent fondre.
- Vider complètement le tiroir de remisage.

#### Fonctionnement du programme

**IMPORTANT :** Le chauffage et le refroidissement de la porcelaine sur l'acier dans le four peuvent causer une décoloration, une perte de fini luisant, des fissures minuscules et des éclatements.

Le programme d'autonettoyage utilise des températures très élevées brûlant les saletés pour les réduire en cendres.

Le four est préréglé pour un programme d'autonettoyage de 2 h 30 minutes, mais le temps peut être changé. Il existe cinq niveaux de nettoyage. Les durées de nettoyage suggérées sont de 2 h 30 minutes pour des saletés légères et de 3 h 30 minutes jusqu'à 4 h 30 minutes pour des saletés moyennes à abondantes. Utiliser le tableau ci-dessous comme guide pour déterminer le niveau de nettoyage désiré.

NIVEAU DE NETTOYAGE	TEMPS TOTAL DE NETTOYAGE (comprend une période de refroidissement de 30 minutes)
1 (Rapide)	2 heures 30 minutes
2	3 heures
3 (Normal)	3 heures 30 minutes
4	4 heures
5 (Maximum)	4 heures 30 minutes

Lorsque le four est complètement refroidi, retirer la cendre avec un chiffon humide. Ne pas essuyer les surfaces internes jusqu'à ce que le four soit complètement refroidi. Ne pas utiliser un chiffon humide sur le hublot de la porte du four avant que le four soit complètement refroidi sinon le verre risque de se briser.

La lampe du four ne fonctionne pas durant le programme d'autonettoyage.

#### Autonettoyage :

Avant l'autonettoyage, s'assurer que la porte est complètement fermée sinon elle ne se verrouillera pas et le programme ne commencera pas.

1. Appuyer sur SELF CLEAN (autonettoyage). Pour régler une durée de nettoyage autre que 2 h 30 min, entrer la durée en utilisant les touches numériques ou appuyer sur SELF CLEAN jusqu'à ce que la durée désirée soit atteinte. La durée de nettoyage peut être programmée entre 2 h 30 minutes et 4 h 30 minutes.

## 2. Appuyer sur START (mise en marche).

La porte se verrouillera automatiquement et “DOOR LOCKED” (porte verrouillée) ou “LOCKED” (verrouillée), et l’heure de mise en marche et d’arrêt apparaîtront sur l’afficheur du four. Sur certains modèles, le temps de nettoyage apparaîtra sur l’affichage.

La porte ne se déverrouillera pas avant que le four ne soit refroidi.

Lorsque le programme est terminé et que le four se refroidit, “End” (fin) apparaîtra sur l’afficheur du four et “DOOR LOCKED” (porte verrouillée) ou “LOCKED” (verrouillée) s’effacera.

## 3. Appuyer sur n’importe quelle touche ou ouvrir la porte du four pour effacer l’affichage du four.

### Pour différer l’autonettoyage :

Avant de différer la mise en marche de l’autonettoyage, s’assurer que l’horloge est réglée à l’heure exacte. Voir la section “Affichage Horloge/Minuterie”. S’assurer également que la porte est complètement fermée sinon elle ne se verrouillera pas et le programme ne commencera pas.

## 1. Appuyer sur SELF CLEAN (autonettoyage). Pour régler une durée de nettoyage autre que 2 h 30 min, entrer la durée en utilisant les touches numériques ou appuyer sur SELF CLEAN jusqu’à ce que la durée désirée soit atteinte. La durée de nettoyage peut être programmée entre 2 h 30 minutes et 4 h 30 minutes.

## 2. Appuyer sur STOP TIME (heure d’arrêt).

## 3. Appuyer sur les touches numériques pour entrer l’heure d’arrêt.

## 4. Appuyer sur START (mise en marche).

L’heure de mise en marche est calculée et affichée automatiquement. La porte se verrouillera automatiquement et “DOOR LOCKED” (porte verrouillée) ou “LOCKED” (verrouillée) et “DELAY” (différée) et l’heure d’arrêt apparaîtront également sur l’afficheur (sur certains modèles). La porte ne se déverrouillera pas avant que le four ne soit refroidi.

Lorsque l’heure de mise en marche est atteinte, le four s’allume automatiquement.

Lorsque le programme est terminé et que le four se refroidit, “End” (fin) apparaîtra sur l’afficheur du four et “DOOR LOCKED” (porte verrouillée) ou “LOCKED” (verrouillée) s’effacera.

## 5. Appuyer sur OFF (arrêt) pour effacer l’affichage du four.

### Pour arrêter le programme d’autonettoyage à tout moment :

Appuyer sur OFF (arrêt). Si la température du four est trop élevée, la porte demeure verrouillée. Elle ne se déverrouillera pas avant que le four n’ait refroidi.

Si la température du four est trop élevée après l’autonettoyage, “LOCKED” (verrouillée) apparaîtra sur l’afficheur jusqu’à ce que le four ne soit complètement refroidi.

---

## Nettoyage général

**IMPORTANT :** Avant le nettoyage, s’assurer que toutes les commandes sont éteintes et que le four et la table de cuisson sont froids. Toujours suivre les instructions sur les étiquettes des produits nettoyants. Du savon, de l’eau et un chiffon doux ou une éponge sont recommandés en premier à moins d’indication contraire.

---

### SURFACES EXTERNES EN ÉMAIL VITRIFIÉ (sur certains modèles)

Les renversements d’aliments contenant des acides, tels que vinaigre et tomates, devraient être nettoyés dès que tout l’appareil est refroidi. Ces renversements peuvent affecter le fini.

- Nettoyant à vitre, nettoyant doux liquide ou tampon à récurer non abrasif : nettoyer doucement autour de la plaque signalétique des numéros de modèle et de série car le frottage pourrait en effacer les chiffres.

---

### ACIER INOXYDABLE (sur certains modèles)

**REMARQUE :** Ne pas utiliser de tampons de récurage savonneux, nettoyants abrasifs, crème à polir pour table de cuisson, tampons en laine d’acier, chiffons de lavage rudes ou certains essuie-tout. Des dommages peuvent survenir, même en cas d’usage unique ou limité.

Frotter dans la direction du grain pour éviter les dommages.

- Nettoyant et poli pour acier inoxydable (échantillon inclus) : voir la section “Assistance ou service” pour passer une commande.
- Détergent liquide ou nettoyant tout-usage : rincer à l’eau propre et sécher avec un chiffon doux sans charpie.
- Vinaigre pour les taches d’eau dure

---

### BOUTONS DE COMMANDE DE LA TABLE DE CUISSON

Ne pas utiliser de la laine d’acier, des produits de nettoyage abrasifs ou un nettoyant à four.

Ne pas immerger les boutons.

Lors de la réinstallation des boutons, s’assurer que chaque bouton est à la position OFF (arrêt).

- Savon et eau : tirer les boutons directement hors du tableau de commande pour les enlever.

---

### EXTÉRIEUR DE LA PORTE DU FOUR

- Nettoyant à vitres et essuie-tout ou tampon à récurer en plastique non abrasif : appliquer le nettoyant à vitre sur un chiffon doux ou une éponge, et non pas directement sur le tableau.

---

## TABLEAU DE COMMANDE

---

Ne pas utiliser de nettoyants abrasifs, tampons en laine d'acier, chiffons de lavage rudes ou certains essuie-tout. Des dommages peuvent survenir.

- Nettoyant à vitres et linge doux ou éponge : appliquer le nettoyant à vitres sur un chiffon doux ou une éponge et non pas directement sur le tableau de commande.

---

## CAVITÉ DU FOUR

---

Ne pas utiliser de nettoyants à four.

Les renversements d'aliments devraient être nettoyés lorsque le four est refroidi. À des températures élevées, les aliments réagissent avec la porcelaine et cette réaction peut causer de légères taches blanches, des taches intenses ou des piqûres.

- Programme d'autonettoyage : voir d'abord "Programme d'autonettoyage".

---

## GRILLES DE RÔTISSAGE ET DU FOUR

---

- Programme d'autonettoyage : voir d'abord "Programme d'autonettoyage". Sortir les grilles sinon elles se décolorent et glisseront plus difficilement. Le cas échéant, un léger revêtement d'huile végétale appliqué sur les glissières facilitera le glissement des grilles.
- Tampon en laine d'acier

---

## LÈCHEFRITE ET GRILLE

---

Ne pas les nettoyer au moyen du programme d'autonettoyage (sur certains modèles).

- Produit nettoyant légèrement abrasif : frotter avec un tampon à récurer mouillé.
- Solution de ½ tasse (125 mL) d'ammoniaque à 1 gallon (3,75 L) d'eau : laisser tremper pendant 20 minutes, puis frotter avec un tampon à récurer ou en laine d'acier.
- Nettoyant à four : suivre le mode d'emploi sur l'étiquette du produit.

### Émail vitrifié seulement, non le chrome

- Lave-vaisselle

---

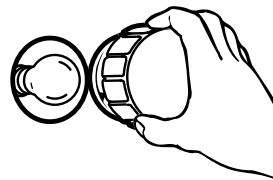
## Lampe(s) du four

La ou les lampe(s) fonctionne(nt) avec une ampoule d'appareil ménager de 15 watts. La ou les lampe(s) s'allume(nt) lorsque la porte est ouverte et ne fonctionne(nt) pas durant le programme d'autonettoyage. Quand la porte est fermée, appuyer sur OVEN LIGHT (lampe à four) pour allumer ou éteindre la ou les lampe(s).

### Remplacement :

Avant le remplacement, s'assurer que le four est éteint et refroidi.

1. Débrancher la cuisinière ou déconnecter la source de courant électrique.
2. Tourner dans le sens antihoraire le couvercle en verre de l'ampoule à l'arrière du four pour l'enlever.



3. Tourner l'ampoule dans le sens antihoraire et l'enlever de la douille.
4. Remplacer l'ampoule et replacer le couvercle de l'ampoule en tournant dans le sens horaire.
5. Rebrancher la cuisinière ou reconnecter la source de courant électrique.

---

## Tiroir de rangement

Le tiroir de rangement peut être enlevé. Avant de l'enlever, s'assurer que le tiroir est froid et vide.

### Pour enlever :

1. Tirer le tiroir tout droit jusqu'à la première butée.
2. Soulever l'arrière du tiroir et le tirer.

### Pour réinstaller :

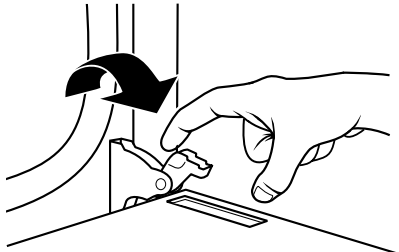
1. Placer les extrémités des rails du tiroir dans les guides de la cavité.
2. Fermer le tiroir en le glissant.

## Porte du four

Il n'est pas recommandé d'enlever la porte du four pour une utilisation normale. Toutefois, s'il est nécessaire de l'enlever, s'assurer que le four est éteint et froid. Puis suivre ces instructions. La porte du four est lourde.

### Enlèvement :

1. Ouvrir la porte du four complètement.
2. Relever le verrou de charnière de chaque côté.



3. Fermer la porte du four le plus complètement possible.
4. Soulever la porte du four tout en la retenant de chaque côté avec les deux mains.

Continuer de maintenir la porte du four fermée et l'éloigner du châssis de la porte du four.



### Réinstallation :

1. Insérer les deux bras de suspension dans la porte.



2. Ouvrir la porte du four.  
Vous devriez entendre un déclic alors que la porte est mise en place.
3. Remettre les leviers des charnières à la position verrouillée.  
S'assurer que la porte peut s'ouvrir et se fermer. Sinon, répéter les procédés d'enlèvement et d'installation.

---

# DÉPANNAGE

Essayer les solutions suggérées ici d'abord afin d'éviter le coût d'une visite de service non nécessaire.

---

## Rien ne fonctionne

- **Est-ce que le cordon d'alimentation est débranché?**  
Brancher sur une prise reliée à la terre.
- **Un fusible est-il grillé ou le disjoncteur s'est-il ouvert?**  
Remplacer le fusible ou remettre le disjoncteur en fonction.
- **Le gaz alimente-t-il bien la cuisinière?** Contacter un réparateur qualifié ou voir les instructions d'installation.

---

## Les brûleurs de surface ne fonctionnent pas

- **Est-ce la première fois que les brûleurs de surface sont utilisés?**  
Tourner n'importe quel bouton de commande de brûleur de surface pour libérer l'air des canalisations de gaz.
- **Le bouton de commande est-il réglé correctement?**  
Pousser sur le bouton avant de le tourner à un réglage.
- **Les orifices des brûleurs sont-ils obstrués?**  
Voir la section "Brûleurs de surface".

---

## Les flammes des brûleurs de surface ne sont pas uniformes, sont de teinte jaune et/ou émettent un bruit

- **Les orifices des brûleurs sont-ils obstrués?**  
Voir la section "Brûleurs de surface".
- **Sur les modèles à chapeau, les chapeaux des brûleurs sont-ils bien installés?**  
Voir la section "Brûleurs de surface".
- **Le brûleur est-il endommagé?**  
Sur les modèles à chapeau, vérifier si le chapeau est déformé. Si le chapeau ne tourne pas librement sur une surface plate, côté peint vers le bas, le chapeau est gauchi. Permuter le chapeau avec un brûleur de surface différent pour vérifier s'il y a un autre gauchissement. Contacter un technicien de réparation qualifié.
- **Utilise-t-on du gaz propane?**  
L'appareil a peut-être été converti incorrectement. Contacter un réparateur qualifié.

---

## Le brûleur de surface fait de petits bruits

- **Le brûleur est-il mouillé?**  
Le laisser sécher.

---

## Le brûleur émet des étincelles, mais ne s'allume pas.

- **Y a-t-il une production continue d'étincelles sans que le brûleur ne s'allume?**  
Discontinuer l'utilisation du brûleur de surface et contacter un technicien de service.

---

## Chaleur excessive autour des ustensiles de cuisson sur la table de cuisson

- **L'ustensile de cuisson est-il de dimension appropriée?**  
Utiliser un ustensile de cuisson à peu près de la même dimension que la surface de cuisson, l'élément de cuisson ou le brûleur de surface. L'ustensile de cuisson ne doit pas dépasser de plus de 1/2" (1,25 cm) de la surface de cuisson.

---

## Les résultats de cuisson sur la table de cuisson ne sont pas les résultats prévus

- **Utilise-t-on un ustensile de cuisson approprié?**  
Voir la section "Ustensiles de cuisson".
- **Le bouton de commande est-il réglé au niveau approprié de chaleur?**  
Voir la section "Commandes de la table de cuisson".
- **L'appareil est-il d'aplomb?**  
Niveler l'appareil. Voir les instructions d'installation.

---

## Le four ne fonctionne pas

- **Le four est-il utilisé pour la première fois?** Tourner n'importe quel bouton de commande de brûleur de surface pour libérer l'air des canalisations de gaz.
- **La commande électronique du four est-elle bien réglée?**  
Voir la section "Commande électronique du four".
- **Une mise en marche différée a-t-elle été réglée?**  
Voir la section "Cuisson minutée".
- **Sur certains modèles, le verrouillage des commandes est-il réglé?**  
Voir la section "Verrouillage des commandes".
- **Sur certains modèles, le mode Sabbath est-il réglé?**  
Voir la section "Mode Sabbath".

---

## Les flammes du brûleur dans le four sont jaunes ou émettent un bruit

- **Utilise-t-on du gaz propane?** La cuisinière a peut-être été mal convertie. Contacter un réparateur qualifié.

---

## Le ventilateur fonctionne durant la cuisson au four ou au grill ou pendant le nettoyage

- Il est normal que le ventilateur se mette automatiquement en marche pendant le fonctionnement du four ou pendant un certain temps après que le four est éteint, ceci dans le but de refroidir la commande électronique.

---

## La température du four est trop élevée ou trop basse

- **Le calibrage de la température du four a-t-il besoin d'être ajusté?**  
Voir la section "Calibrage de la température du four".

---

## L'affichage indique des messages

---

- **L'affichage indique-t-il "SET CLOCK"?** Une panne de courant est survenue. Effacer l'affichage. Voir la section "Afficheurs du four". Sur certains modèles, régler de nouveau l'horloge si nécessaire. Voir la section "Affichage Horloge/Minuterie".
- **L'affichage indique-t-il une lettre suivie par un chiffre?** Appuyer sur OFF (arrêt) pour effacer l'affichage. Voir la section "Afficheurs du four". Si le message réapparaît, faire un appel de service. Voir la section "Assistance ou service".

---

## Sur certains modèles, le ventilateur de convection ne fonctionne pas

---

- **Le ventilateur apparaît sur l'affichage mais ne fonctionne pas?**  
Il y aura un bref délai du fonctionnement du ventilateur après la mise en marche d'une fonction de convection.
- **La fonction de rôtissage par convection est-elle utilisée?**  
Le ventilateur fonctionne par intermittence tout au long du fonctionnement du rôtissage par convection.
- **La porte du four est-elle ouverte?**  
L'ouverture de la porte du four durant le fonctionnement de la cuisson par convection désactive le ventilateur.

---

## Le programme d'autonettoyage ne fonctionne pas

---

- **La porte du four est-elle ouverte?**  
Fermer la porte du four complètement.
- **Une fonction a-t-elle été entrée?**  
Voir la section "Programme d'autonettoyage".
- **Sur certains modèles, un programme d'autonettoyage à mise en marche différée a-t-il été réglé?**  
Voir la section "Programme d'autonettoyage".
- **Une mise en marche différée a-t-elle été réglée?**  
Voir la section "Cuisson minutée".

---

## Les résultats de cuisson au four ne sont pas ceux prévus

---

- **L'appareil est-il d'aplomb?**  
Niveler l'appareil. Voir les instructions d'installation.
- **La température correcte est-elle réglée?**  
Revérifier la recette dans un livre de recettes fiable.
- **La température correcte du four est-elle réglée?**  
Voir la section "Calibrage de la température du four".
- **Le four a-t-il été préchauffé?**  
Voir les sections "Cuisson au four", "Cuisson au grill", "Conversion EASY CONVECT™", "Cuisson au four par convection" ou "Rôtissage par convection".
- **Utilise-t-on un ustensile de cuisson au four approprié?**  
Voir la section "Ustensiles de cuisson".
- **Les grilles sont-elles en bonne position?**  
Voir la section "Positionnement des grilles et ustensiles de cuisson".
- **Existe-t-il une circulation d'air appropriée autour des ustensiles de cuisson?**  
Voir la section "Positionnement des grilles et ustensiles de cuisson".
- **La pâte est-elle distribuée également dans le plat?**  
S'assurer que la pâte est répartie uniformément dans le plat.
- **Utilise-t-on une durée de cuisson appropriée?**  
Ajuster la durée de cuisson.
- **La porte a-t-elle été ouverte pendant la cuisson?**  
L'ouverture de la porte pour vérifier la cuisson laisse la chaleur du four s'échapper et peut nécessiter des durées de cuisson plus longues.
- **Les articles cuits au four ont-ils trop brunis à la base?**  
Baisser la température du four de 15°F à 25°F (5°C à 15°C) ou déplacer la grille à une position plus élevée dans le four.
- **Les bords des croûtes de tarte ont-ils brunis trop tôt?**  
Utiliser du papier d'aluminium pour couvrir le bord de la croûte et/ou réduire la température de cuisson.

---

# ASSISTANCE OU SERVICE

Avant de faire un appel pour assistance ou service, consulter la section "Dépannage". Ce guide peut vous faire économiser le coût d'une visite de service. Si vous avez encore besoin d'aide, suivre les instructions ci-dessous.

Lors d'un appel, veuillez connaître la date d'achat, le numéro de modèle et le numéro de série au complet de l'appareil. Ces renseignements nous aideront à mieux répondre à votre demande.

## Si vous avez besoin de pièces de rechange

Si vous avez besoin de commander des pièces de rechange, nous vous recommandons d'employer uniquement des pièces d'origine. Les pièces d'origine conviendront et fonctionneront bien parce qu'elles sont fabriquées avec la même précision que celles utilisées dans la fabrication de chaque nouvel appareil KITCHENAID®.

Pour obtenir des pièces d'origine dans votre région, composez le numéro de téléphone de notre Centre d'interaction avec la clientèle ou contactez le centre de service désigné de KitchenAid le plus proche.

Pour des questions relatives aux produits, veuillez appeler sans frais le Centre d'interaction avec la clientèle de KitchenAid Canada au : **1-800-461-5681**

Lundi à vendredi 8 h - 18 h (HNE).

Samedi 8 h 30 - 16 h 30 (HNE).

## Nos consultants vous renseigneront sur les sujets suivants :

- Caractéristiques et spécifications sur toute notre gamme d'appareils électroménagers.
- Références aux marchands locaux.

## Pour pièces, accessoires et service

Composer le **1-800-807-6777**. Les techniciens de service désignés par KitchenAid Canada sont formés pour remplir la garantie des produits et fournir un service après la garantie, partout au Canada.

## Pour plus d'assistance

Si vous avez besoin de plus d'assistance, vous pouvez soumettre par écrit toute question ou préoccupation à KitchenAid Canada à l'adresse suivante :

Centre d'interaction avec la clientèle  
KitchenAid Canada  
1901 Minnesota Court  
Mississauga, Ontario L5N 3A7

Veuillez inclure dans votre correspondance un numéro de téléphone où on peut vous joindre dans la journée.

# GARANTIE DE LA TABLE DE CUISSON, DU FOUR ENCASTRÉ ET DE LA CUISINIÈRE KITCHENAID®

## GARANTIE COMPLÈTE DE UN AN

Pendant un an à partir de la date d'achat, lorsque cet appareil ménager est utilisé et entretenu conformément aux instructions fournies avec le produit, KitchenAid paiera pour les pièces spécifiées par le fabricant et les frais de main-d'oeuvre pour la correction des vices de matériaux ou de fabrication. Les réparations doivent être effectuées par un établissement de service désigné par KitchenAid.

## GARANTIE LIMITÉE DE LA DEUXIÈME À LA CINQUIÈME ANNÉE INCLUSIVEMENT SUR LES ÉLÉMENTS ÉLECTRIQUES, LA TABLE DE CUISSON EN VITROCÉRAMIQUE, LES BRÛLEURS À GAZ, LE SYSTÈME DE COMMANDES TRANSISTORISÉES ET LE TUBE MAGNÉTRON

Sur les cuisinières et tables de cuisson électriques, de la deuxième à la cinquième année inclusivement à partir de la date d'achat, lorsque cet appareil ménager est utilisé et entretenu conformément aux instructions fournies avec le produit, KitchenAid paiera pour les pièces spécifiées par le fabricant pour tout élément électrique pour la correction des vices de matériaux ou de fabrication.

Sur les cuisinières et tables de cuisson en vitrocéramique, de la deuxième à la cinquième année inclusivement à partir de la date d'achat lorsque cet appareil ménager est utilisé et entretenu conformément aux instructions fournies avec le produit, KitchenAid paiera pour les pièces spécifiées par le fabricant pour la table de cuisson en vitrocéramique. KitchenAid garantit que la table de cuisson en vitrocéramique ne subira pas de décoloration, que le motif sur la table de cuisson ne s'effacera pas par usure, que le joint en caoutchouc entre la table de cuisson en vitrocéramique et le bord en porcelaine ne se fendra pas, que la surface de cuisson en vitrocéramique ne se fendra pas à cause d'un choc thermique et que les éléments de surface ne brûleront pas.

Sur les cuisinières et tables de cuisson à gaz, de la deuxième à la cinquième année inclusivement à partir de la date d'achat, lorsque cet appareil ménager est utilisé et entretenu conformément aux instructions fournies avec le produit, KitchenAid paiera pour les pièces spécifiées par le fabricant pour tout brûleur à gaz pour la correction des vices de matériaux ou de fabrication.

Sur les cuisinières et fours encastrés, de la deuxième à la cinquième année inclusivement à partir de la date d'achat, lorsque cet appareil ménager est utilisé et entretenu conformément aux instructions fournies avec le produit, KitchenAid paiera pour les pièces spécifiées par le fabricant pour le système de commandes transistorisées et le tube magnétron dans les fours combinés, pour corriger les vices de matériaux ou de fabrication.

## GARANTIE LIMITÉE DE LA DEUXIÈME À LA DIXIÈME ANNÉE INCLUSIVEMENT SUR LA CAVITÉ DU FOUR ET L'INTÉRIEUR DE LA PORTE EN PORCELAINES SUR LES CUISINIÈRES ET FOURS ENCASTRÉS

Sur les cuisinières et fours encastrés seulement, de la deuxième à la dixième année inclusivement à partir de la date d'achat, lorsque cet appareil ménager est utilisé et entretenu conformément aux instructions fournies avec le produit, KitchenAid paiera pour les pièces spécifiées par le fabricant pour la cavité du four et l'intérieur de la porte en porcelaine si la pièce rouille par suite de vices de matériaux de fabrication.

### KitchenAid ne paiera pas pour :

1. Les visites de service pour rectifier l'installation de votre appareil ménager, montrer à l'utilisateur comment utiliser l'appareil ou remplacer des fusibles, rectifier le câblage électrique du domicile ou remplacer des ampoules d'éclairage accessibles au propriétaire.
2. Les réparations lorsque l'appareil est utilisé à des fins autres que l'usage unifamilial normal.
3. Le ramassage et la livraison. Votre appareil ménager est conçu pour être réparé à domicile.
4. Les dommages imputables à : accident, modification, mésusage, abus, incendie, inondation, mauvaise installation, actes de Dieu, ou utilisation de produits non approuvés par KitchenAid ou KitchenAid Canada.
5. Les réparations aux pièces ou systèmes résultant de modifications non autorisées faites à l'appareil.
6. Le coût des pièces de rechange ou de la main-d'oeuvre de réparation pour les appareils utilisés en dehors des États-Unis ou du Canada.
7. Au Canada, les frais de voyage ou de transport pour les clients qui habitent dans des régions éloignées.
8. Tous frais de main-d'oeuvre au cours des périodes de garanties limitées.

### KITCHENAID CANADA DÉCLINE TOUTE RESPONSABILITÉ AU TITRE DE DOMMAGES SECONDAIRES OU INDIRECTS.

Certaines provinces ne permettent pas l'exclusion ou la limitation des dommages secondaires ou indirects ; par conséquent, cette exclusion ou limitation peut ne pas s'appliquer dans votre cas. Cette garantie vous donne des droits juridiques spécifiques, et vous pouvez aussi avoir d'autres droits qui varient d'une province à une autre.

**Cette garantie ne s'applique pas en dehors du Canada. Contacter le vendeur autorisé KitchenAid pour savoir si une autre garantie s'applique.**

Si vous avez besoin de service, voir d'abord la section "Dépannage" de ce manuel. Après avoir vérifié la section "Dépannage", une aide additionnelle peut être trouvée en vérifiant la section "Assistance ou Service" ou en téléphonant sans frais au Centre d'interaction avec la clientèle KitchenAid, au **1-800-461-5681**. Pour pièces, accessoires, installation et service composer le **1-800-807-6777**.

4/01

**Conservez ce manuel et votre reçu de vente ensemble pour référence ultérieure. Pour le service sous garantie, vous devez présenter un document prouvant la date d'achat ou d'installation.**

Inscrivez les renseignements suivants au sujet de votre appareil pour mieux obtenir assistance ou service en cas de besoin. Vous devrez connaître les numéros complets de modèle et de série. Cette information est donnée sur la plaque signalétique des numéros de modèle et de série, située sur votre appareil tel qu'indiqué dans la section "Pièces et caractéristiques".

Nom du marchand \_\_\_\_\_

Adresse \_\_\_\_\_

Numéro de téléphone \_\_\_\_\_

Numéro de modèle \_\_\_\_\_

Numéro de série \_\_\_\_\_

Date d'achat \_\_\_\_\_

**9757452**

© 2004. All rights reserved.  
Tous droits réservés.

® Registered Trademark/TM Trademark of KitchenAid, U.S.A., KitchenAid Canada licensee in Canada  
® Marque déposée/TM Marque de commerce de KitchenAid, U.S.A., Emploi licencié par KitchenAid Canada au Canada

5/04  
Printed in U.S.A.  
Imprimé aux É.-U.