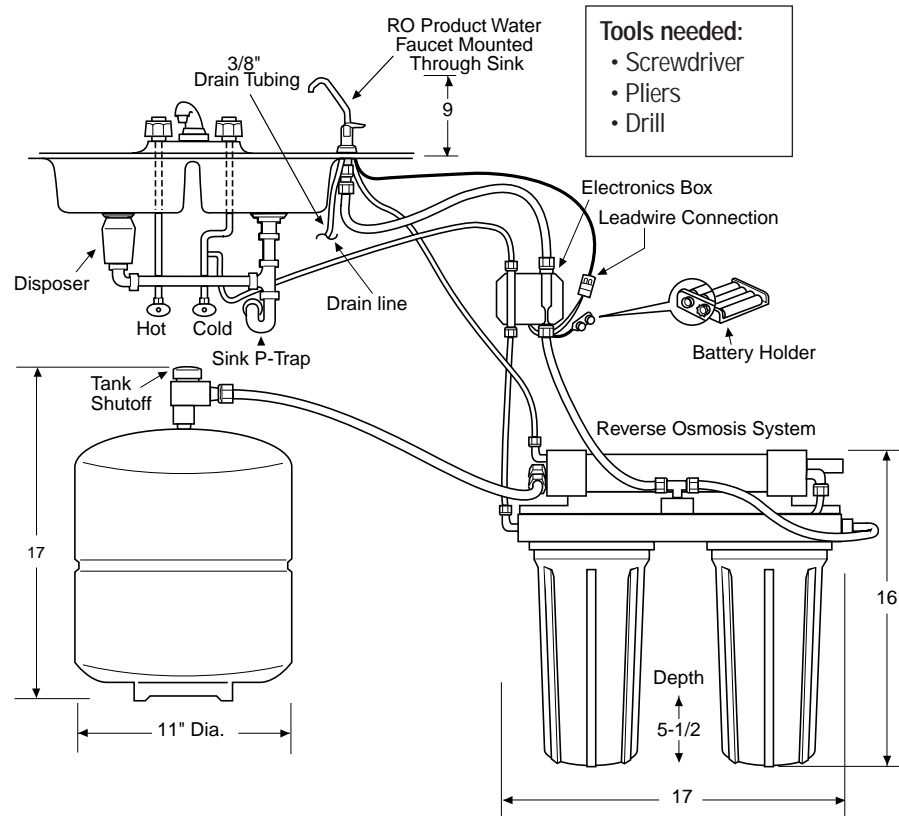




Profile™

PNRV12ZBL—GE Profile™ SmartWater™ Reverse Osmosis Filtration System



Note: Can be installed undercounter (as shown), in basement, or other convenient location. See installation instructions packed with product for complete details.

Replacement Membranes, Pre- and Post-Filters

Call GE Appliance Parts 800.626.2002 for convenient ordering.

Warranty Information

Full One-Year Warranty –

(parts and labor at no additional charge) applies to entire unit, excluding membrane and filters.

See written warranty for details

For answers to your Monogram®,
GE Profile Performance Series™,
GE Profile™ or GE appliance questions, call
GE Answer Center® service, 800.626.2000.



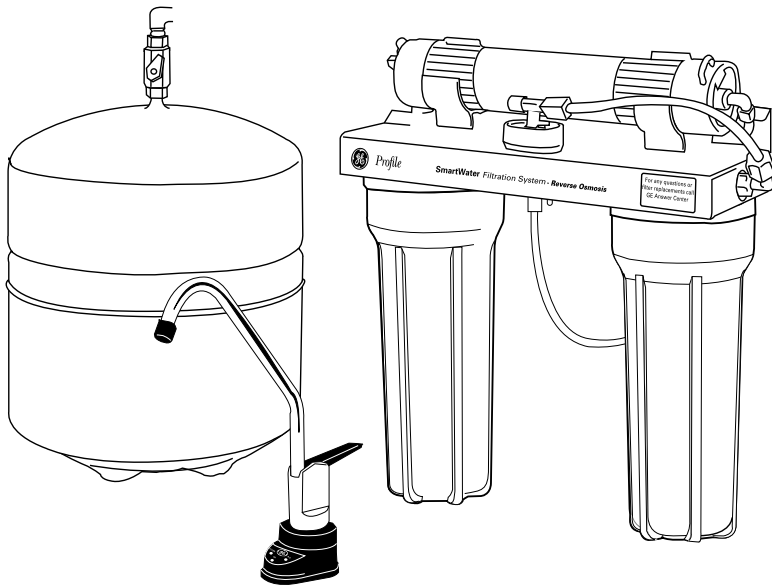
SPECTRUM
LABS INC

The GE SmartWater™ Filtration System has been quality tested and certified by an independent laboratory, Spectrum Labs, Inc.



Profile™

PNRV12ZBL—GE Profile™ SmartWater™ Reverse Osmosis Filtration System



Features and Benefits

- *Chrome with Black SmartWater™ Faucet with Monitor*
- *Extra-Large Capacity (12 gallon output per day*)*
- *Reverse Osmosis (RO) Process*
- *RO Filtration Indicator*
- *Filter Change Indicator*
- *Undercounter Installation (kit included)*
- *Optional Basement Installation (hardware not included)*
- *RO Membrane-FX12M*
- *Pre-Filter/Post-Filter-FX12P*
- *Auto Shut-off*
- *Undesirable elements reduced - Taste and Odor, Sediment, Lead, Inorganic Chemical Contaminants, Nitrates/Nitrites, Sodium and Cysts*

** As tested and validated by the Water Quality Association using Standard S-300*