

# FRIGIDAIRE

## Factory Parts Catalog

Product No.	FRU17B2JW26
Series	134A
Color	white
Volts	115V
Wiring Diagram	297369900
Owner's Guide	297081000
Market	North America
Energy Guide	216697904

### **Frigidaire**

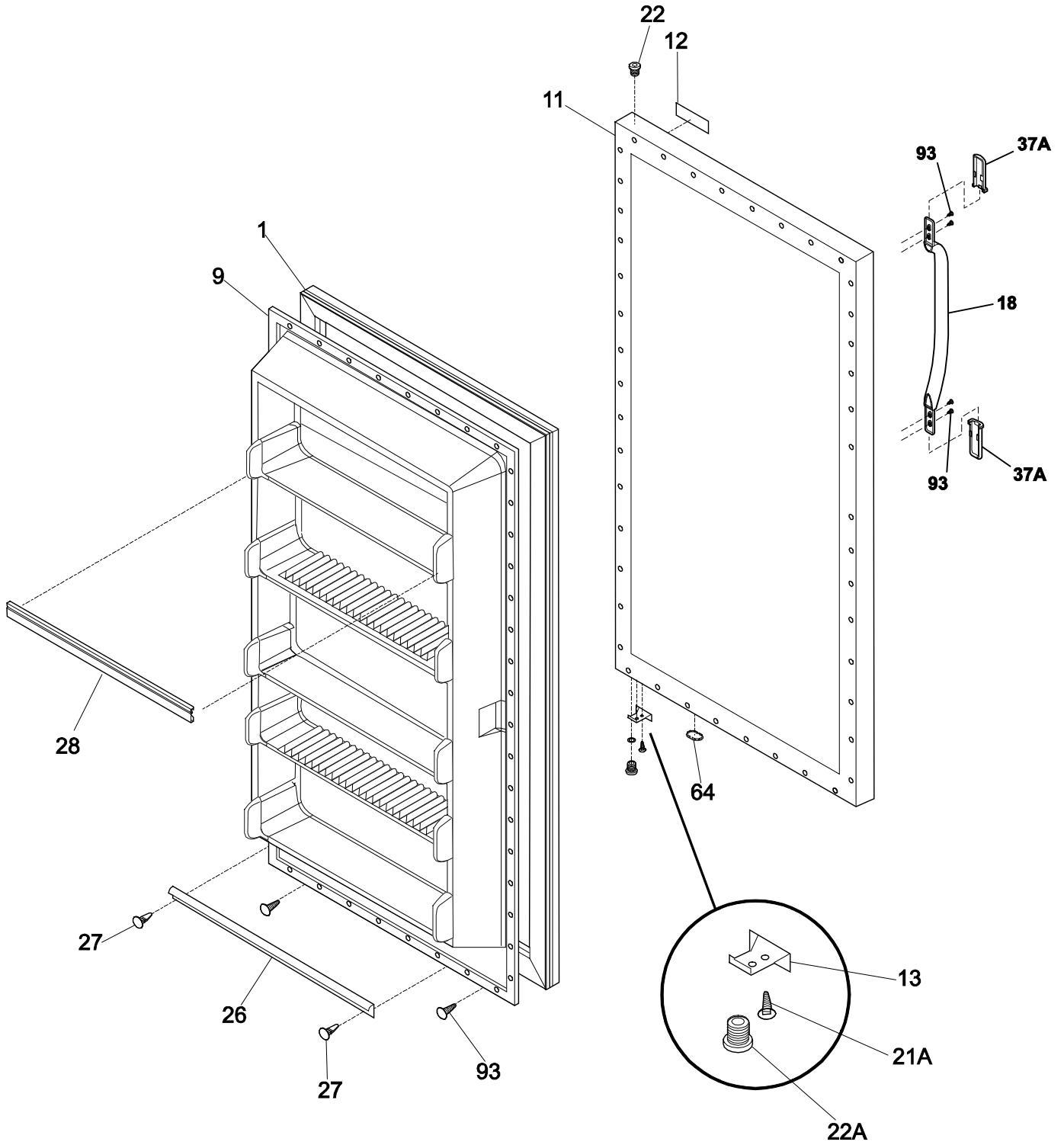
P.O. BOX 8020  
CHARLOTTE, NC 28262

### **UPRIGHT FREEZER**

Model No.  
**FRU17B2JW**

Publication No.  
**5995650495**  
14/08/28  
(EN/SERVICE/)  
365

DOOR



P08D0621

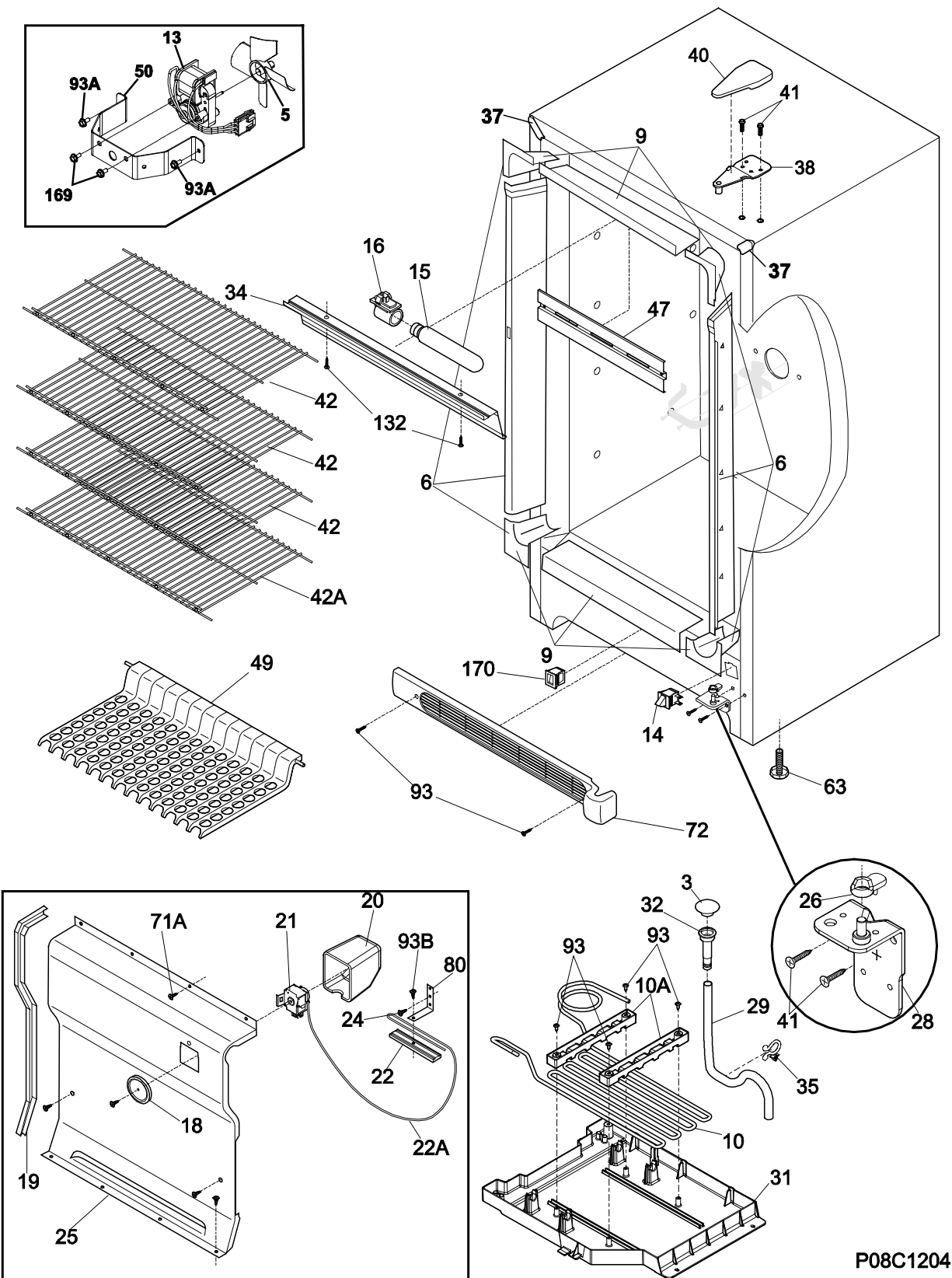
---

**DOOR**


---

POS. NO	PART NO.	DESCRIPTION
1	216522359	Gasket-door, white
9	216527813	Panel-inner door
11	297316515	Panel-outer door, white
12	242062801	Nameplate, white
13	297257000	Door Stop, chrome, RH
18	297311201	Handle-door, white
18*	297429100	Handle-door, Install kit, white
21A	297197500	Screw, door stop mtg, FH38-16X.750, P Twin
22	216970800	Bearing, hinge w/o'ring, top
22A	297006800	Bearing-hinge, btm, w/o'ring
26	216524201	Gasket, secondary
27	5304472186	Clip, panel mtg
27*	5304406520	Clip, panel mtg kit, (40)
28	216951600	Rack-door, (5)
37A	297309800	Trim-handle, white, w/gray band
64	216403700	Plug-button, hole filler, door base
93	216858001	Screw, 8-18x.50 AB, #10
*	297410600	Screw, 8-18 X .500

CABINET

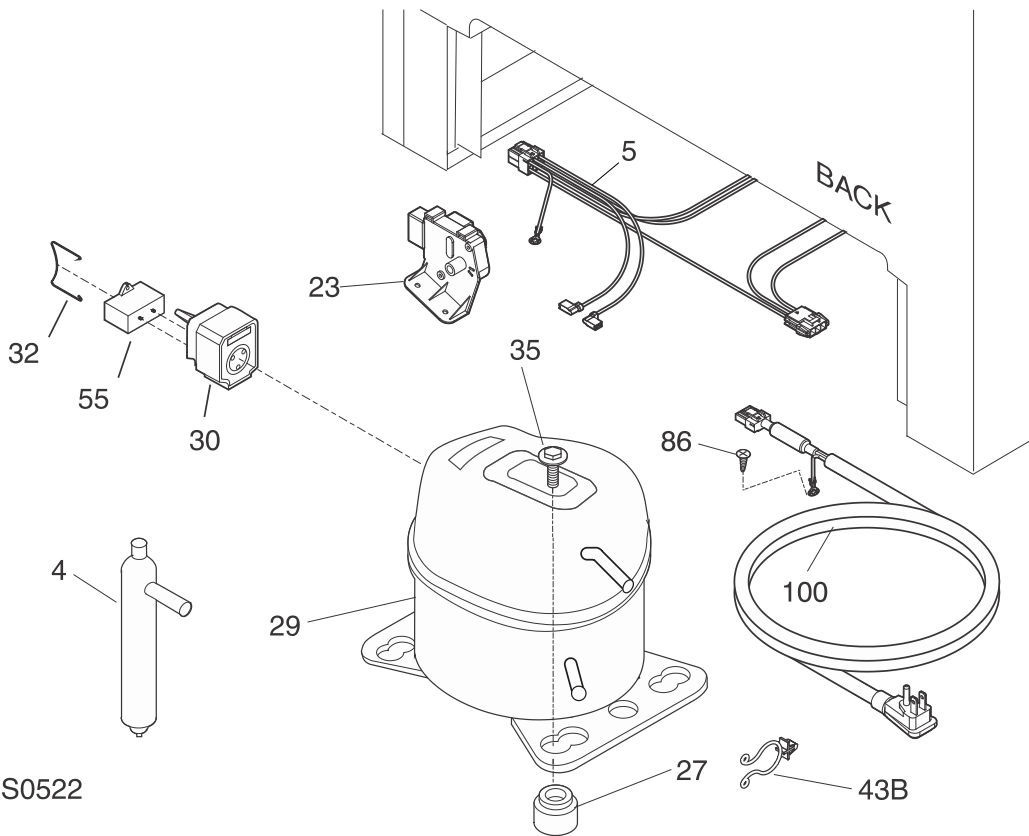
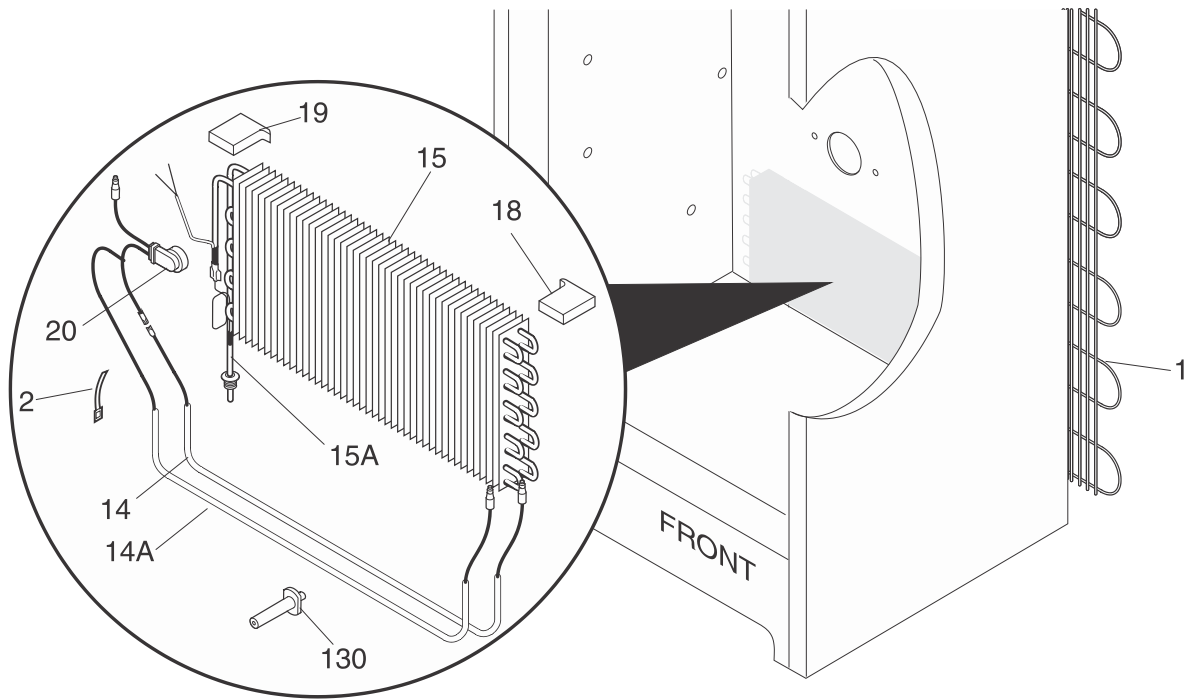


P08C1204

**CABINET**

POS. NO	PART NO.	DESCRIPTION
3	216503100	Screen-drain
5 #	216325600	Fan Blade
6	297200600	Breaker Kit w/corners, no lock slot
9	297200100	Breaker Kit w/corners, 32", top and bottom
10 #	297334500	Heater-Drain Pan
10A	297177400	Bracket, (2), drain pan
13 #	297250000	Motor, fan, 115 V
14	216822900	Switch, light/lamp, ramp
15	216846400	Light Bulb/Lamp
16	297139501	Socket, light/lamp, 25 W
18	216707200	Knob, temp control
19	216204902	Gasket-evap cover
20	216967201	Cover, temp control
21 #	297415201	Control, temperature
22	216823500	Clamp, cap tube, cold control
22A	5303916855	Tube, sensor sleeve, plastic, clear
24	5304460604	Screw, type A, 10-24 x 3/8
25	297099250	Cover-evaporator
26	216503300	Ramp, door closer
28	297283900	Hinge-bottom, stepped pin
29	216313501	Hose-drain
31	297165800	Pan-drain
32	5308005500	Drain
34	216816200	Shield-light
35	216273000	Clip, wire retainer
37	241611301	Trim-cabinet corner, white, (2)
37	297273900	Trim-cabinet corner, white, (2)
38	297283800	Hinge-upper
40	297164400	Cover-hinge
41	297236250	Screw, hex head, 1/4-20x5/8, hinge
42	297367400	SHELF WH 14.50 X 27.88
42A	297119501	Shelf, 12.50x27.88, white
*	216502400	Grommet-shelf mtg
47	216661601	Baffle-plate
49	216937700	Trivet
50	216394050	Bracket, fan motor mount
63	216396900	Screw, leveling foot, plastic, adjustable
63*	297164650	Bracket, LH leg levelor
63*	297164651	Bracket, RH leg levelor
71A	297146820	Screw, 8-18AB x.470 QX
72	297036900	Grille/Kickplate, 32", white
80	06594601	Bracket, control
93	216858001	Screw, 8-18x.50 AB, #10
93A	297174300	Screw, self pierce, #8, 18x.63
*	5303313703	Clip, wire
93B	216036601	Screw, RWHD, 8-32A x 0.500, GX-CA
132	5304460601	Screw, 6-20AB x 3/8
169	216912401	Screw, hex washer head, 8-32 x 0.500, bracket fan mtr, (2)
170	297280400	Valve, breather
*	216697904	Energy Guide
*	216946200	Service Data Sheet
*	297001704	Insulation, 24", drain tube

**SYSTEM**



## SYSTEM

---

POS. NO	PART NO.	DESCRIPTION
1 #	5300083897	Condenser
2	5308000110	Strap-evap/heater, aluminum, (2)
4	297396860	Filter-dryer
5 #	297244600	Harness-main
5*	216695300	Relay
14	297216102	Defrost Heater
14A#	297222901	Heater
15 #	297414900	Evaporator
15A	297440900	Heat Exchanger
18	297078701	Insulator-evap, styrofoam, RH
19	297078801	Insulator-evap, styrofoam, LH
20	216731001	Thermostat, defrost
23 #	297318010	Timer, defrost, 115V, tab
27	216337701	Screw, HWH, 10-24 x 0.500, Swage
29 #	297406901	Compressor
30	297259501	Controller, compressor
32	216954300	Clip, controller
35	297368500	Bolt, compressor
43B	297315800	Clip, wire
55 #	297286805	Capacitor-run
86	216036601	Screw, RWHD, 8-32A x 0.500, GX-CA
100#	297366804	Cord, power
130	297244700	Support, evaporator mtg
*	216683900	Thermostat, Service part
*	216502500	Sleeve, suction line
*	240555002	Screw-#8-32 X 3/8
*	297174300	Screw, self pierce, #8, 18x.63