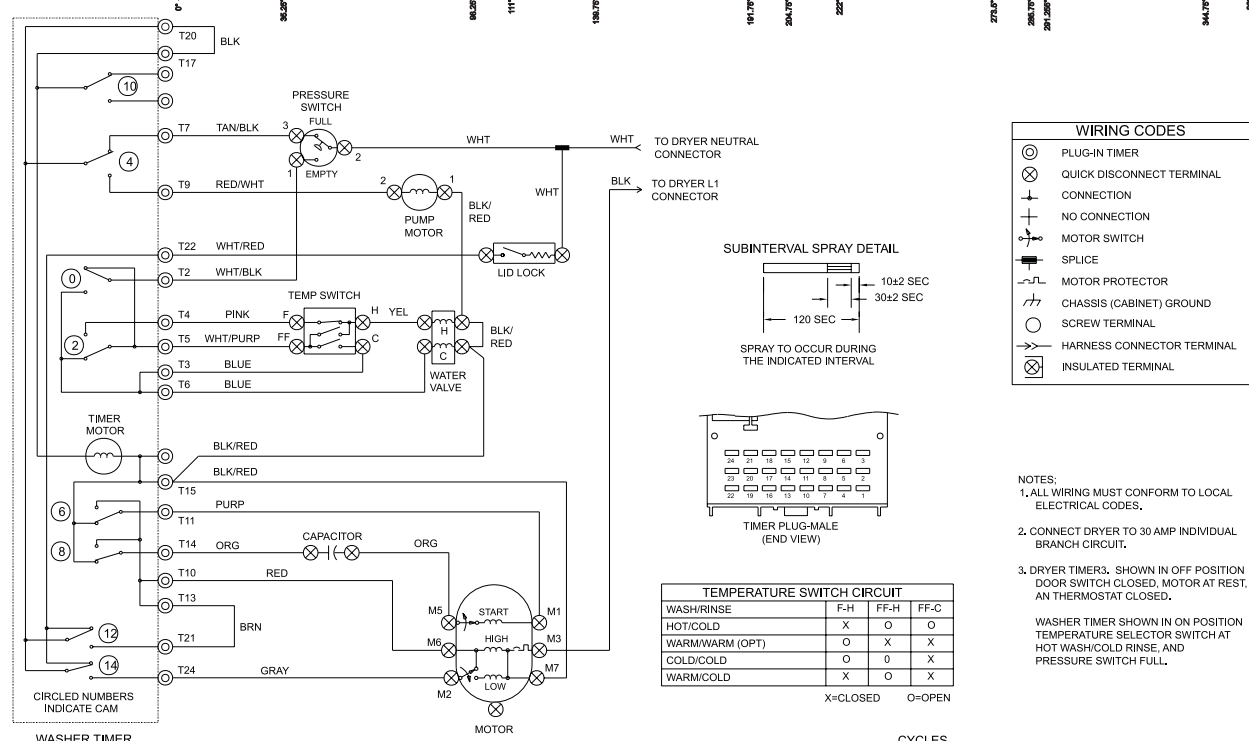


CAUTION: DISCONNECT ELECTRIC CURRENT BEFORE SERVICING

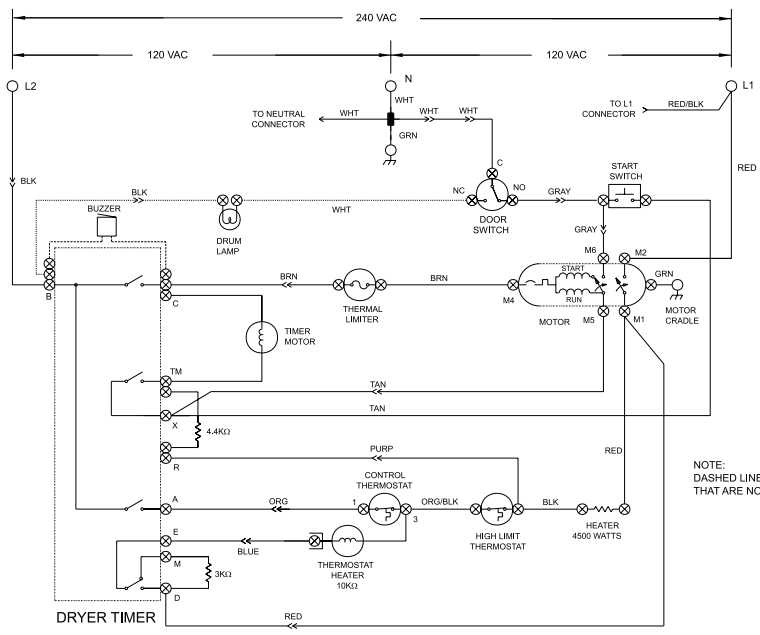
CAM	TERM. #	FUNCTION	REGULAR CYCLE					PERM. PRESS CYCLE					DELICATE CYCLE					SOAK CYCLE			
			WASH (18 MIN.)	PUMP	RINSE	PUMP	OFF	WASH (12 MIN.)	PUMP	RINSE	PUMP	OFF	WASH (6 MIN.)	PUMP	RINSE	PUMP	OFF	WASH	SOAK (12 MIN.)	PUMP	OFF
0	1	T																			
	3	B																			
	4	T																			
2	1	B																			
	7	T																			
4	8	B																			
	9	B																			
	10	T																			
6	11	B																			
	12	B																			
	10	T																			
	12	B																			
10	17	B																			
	22	T																			
12	8	B																			
	21	B																			
	22	T																			
14	8	B																			



- NOTES:**
- ALL WIRING MUST CONFORM TO LOCAL ELECTRICAL CODES.
 - CONNECT DRYER TO 30 AMP INDIVIDUAL BRANCH CIRCUIT.
 - DRYER TIMERS, SHOWN IN OFF POSITION DOOR SWITCH CLOSED, MOTOR AT REST, AN THERMOSTAT CLOSED.
- WASHER TIMER SHOWN IN ON POSITION TEMPERATURE SELECTOR SWITCH AT HOT WASH/COLD RINSE, AND PRESSURE SWITCH FULL.

CYCLES

CIRCUIT	AUTO DRY		OFF	TIMED DRY (MIN)				OFF	KNIT CYCLE				OFF
	38,5	20		106	75	50	25		59,7	40	20	0	
HEATER	B-A												
MOTOR	B-C												
TIMER	X-TM												
MEDIUM HEAT	E-M												
LOW HEAT	E-D												



SHADED PORTION OF BAR CHART INDICATES THE PROPORTIONAL TIMES THAT INTERNAL TIMER CONTACTS ARE CLOSED.

BAR CHART ABOVE REPRESENTS ONE COMPLETE REVOLUTION OF TIMER SHAFT.

