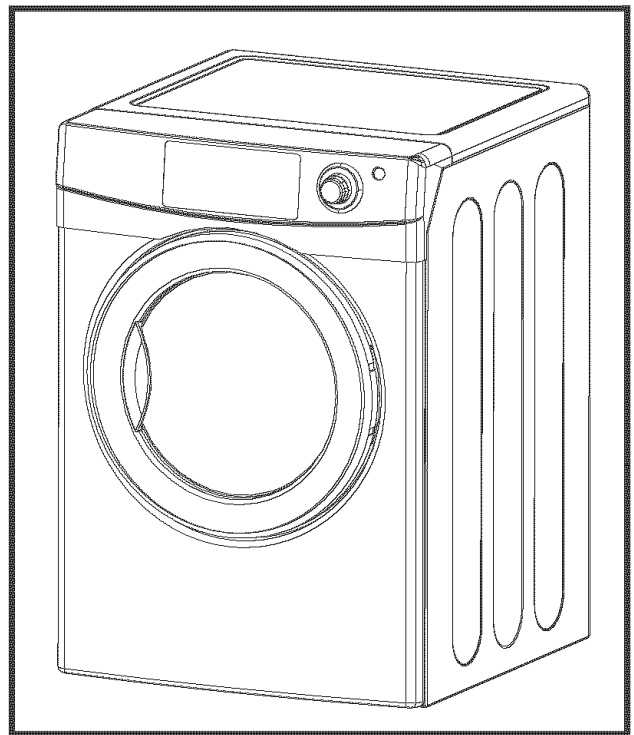
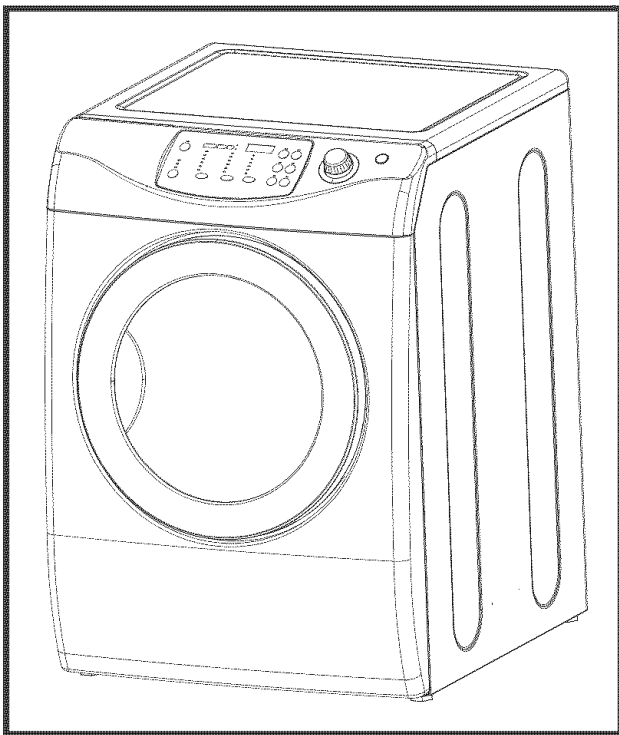




AUTOMATIC DRYER INSTALLATION INSTRUCTIONS

MISE EN SERVICE SÉCHEUSE AUTOMATIQUE

INSTRUCCIONES DE INSTALACIÓN DE LA SECADORA AUTOMÁTICA



*The installation, including a proper exhaust system,
is the responsibility of the owner.*

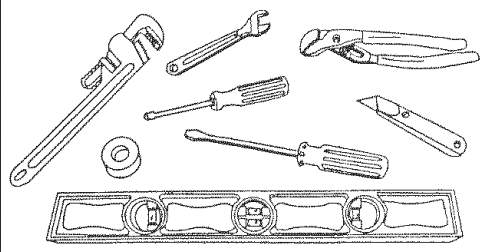
*La responsabilité de la mise en service, y compris le système
d'évacuation qui convient, revient au propriétaire.*

*Es responsabilidad del propietario la instalación correcta,
incluso la del sistema de escape.*

**LEAVE THESE INSTRUCTIONS WITH THE OWNER
REMETTRE CES INSTRUCTIONS AU PROPRIÉTAIRE
DEJE ESTAS INSTRUCCIONES CON EL PROPIETARIO**

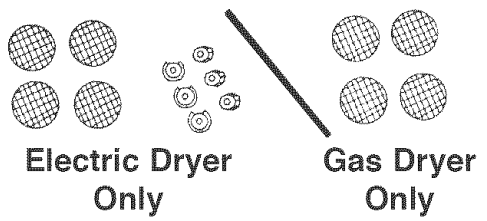
DC68-02033B-01

Tools needed for installation



- Teflon tape or pipe joint compound (*gas only*)
- Cutting knife
- Pipe wrench (*gas only*)
- Nut drivers
- Level
- Screw driver (*standard*)
- Duct tape
- Crescent wrench

ITEMS PROVIDED



Electric Dryer Only **Gas Dryer Only**

Proper installation is the responsibility of the owner.

HOWEVER, SERVICE CALLS PERFORMED AS A RESULT OF POOR SET-UP, ADJUSTMENT AND CONNECTION ARE THE RESPONSIBILITY OF THE INSTALLER.

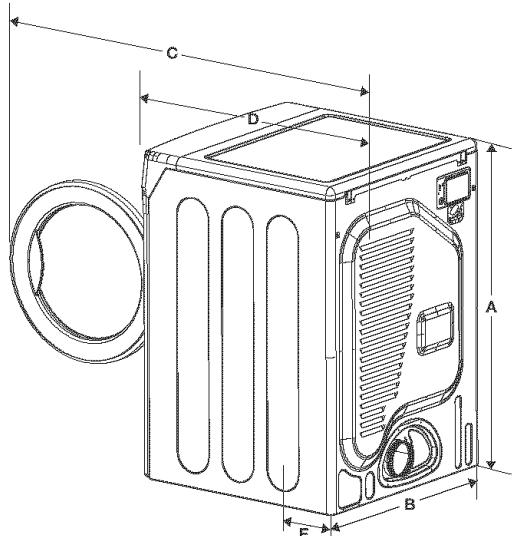
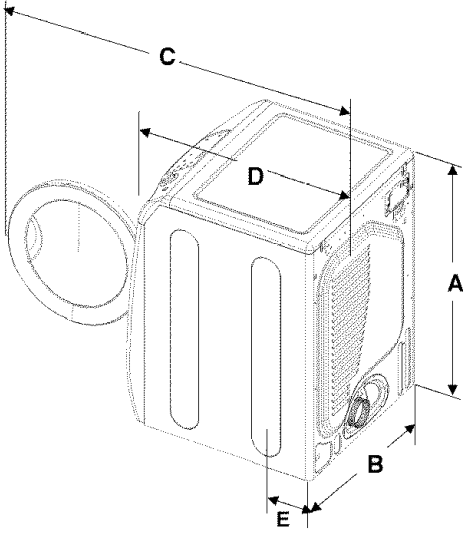
Make sure you have everything necessary for proper installation.

1. GROUNDING ELECTRICAL OUTLET is required. See Electric Requirements.
2. POWER CORD for electric dryers (except Canada).
3. GAS LINES (if a gas dryer) must meet National and Local Codes.
4. EXHAUST SYSTEM – must be rigid metal or flexible stiff walled metal exhaust ducting. See Exhaust Requirements.

CABINET DIMENSIONS

| 9700 series | INCH (CM) |
|--|-----------------|
| A. Height-overall | 38" (96.5) |
| B. Width | 27" (68.6) |
| C. Depth-With Dryer Door Open 90° | 49-3/8" (125.4) |
| D. Depth | 30-3/8" (77.2) |
| E. Bottom Vent Hole Location - From Back To Center of Hole | 7-1/2" (19) |
| Side Vent Hole - From Back To Center Of Hole | 8-1/2" (21.6) |

| 6700 series | INCH (CM) |
|--|------------------|
| A. Height-overall | 38" (96.5) |
| B. Width | 27" (68.6) |
| C. Depth-With Dryer Door Open 90° | 46-7/16" (123.0) |
| D. Depth | 28" (71.0) |
| E. Bottom Vent Hole Location - From Back To Center of Hole | 7-1/2" (19) |
| Side Vent Hole - From Back To Center Of Hole | 8-1/2" (21.6) |



Note:

The height of the dryer from top to floor is 38" with the leveling leg screwed all the way in. The customer can unscrew the leg out an additional 7/8" for a total overall height of 38 7/8".

IMPORTANT TO INSTALLER

Please Read The Following Instructions Carefully Before Starting To Install The Dryer. These Instructions Should Be Retained For Future Reference.

REMOVE THE DOOR FROM ALL DISCARDED APPLIANCES SUCH AS DRYERS TO AVOID THE DANGER OF A CHILD SUFFOCATING.

LOCATION CONSIDERATIONS

The dryer should be located to permit adequate room in front for loading the dryer, and sufficient room behind the dryer for the exhaust system.

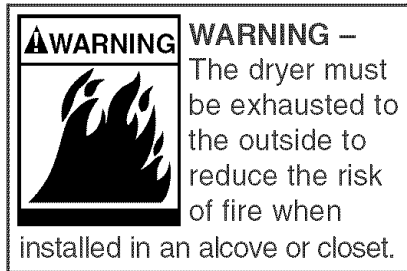
This dryer is factory-ready for rear exhaust. To exhaust out the bottom or left side, use the accessory exhaust kit (see Accessories). Instructions are included with the kit.

It is important to make sure the room has adequate make-up air. The area where the dryer is located must not obstruct the flow of combustion or ventilating air.

On gas dryers, adequate clearance as noted on the data plate must be maintained to insure adequate air for combustion and proper operation of the dryer.

THE DRYER **MUST NOT** BE INSTALLED OR STORED IN AN AREA WHERE IT WILL BE EXPOSED TO WATER AND/OR WEATHER. THE DRYER AREA IS TO BE KEPT CLEAR AND FREE FROM COMBUSTIBLE MATERIALS, GASOLINE AND OTHER FLAMMABLE VAPORS AND LIQUIDS. A DRYER PRODUCES COMBUSTIBLE LINT. THE AREA AROUND THE DRYER SHOULD BE KEPT FREE OF LINT.

ALCOVE OR CLOSET INSTALLATION



- An appliance installed in a closet shall have no other fuel-burning appliance installed in the same closet.
- **WARNING: To reduce the risk of fire, this dryer MUST BE EXHAUSTED TO THE OUTDOORS.** See **EXHAUST INFORMATION** section.

- Minimum clearances between dryer cabinet and adjacent walls or other surfaces are: 2" front, 17" top, 0" either side and 2-3/8" rear.
- Closet front must have two unobstructed air openings combined total area 72 in² min., located 3 in min. from top and bottom.
Louvered door with equivalent air opening is acceptable.

MOBILE HOME INSTALLATION

The installation of the dryer in mobile homes must conform to the Manufactured Home Construction and Safety Standard Title 24 CFR, Part 32-80 {formerly the Federal standard for Mobile Home Construction and Safety, Title 24, HUD (Part 280), 1975} for the United States,) or CSA Standards Z240 (for Canada). When installing a dryer in a mobile home, provisions for anchoring the dryer to the floor must be made. An anchor bracket kit is available with instructions (see Accessories). Locate in an area that has adequate make up air. A minimum of 72 in² (183 cm²) of unobstructed opening is required. All mobile home installations must be exhausted to the outside with the exhaust duct termination securely fastened to the mobile home structure, using materials that will not support combustion. The exhaust duct may not terminate beneath the mobile home. See the section on exhausting for more information.

EXHAUSTING

Exhausting the dryer to the outside will prevent large amounts of lint and moisture from being blown into the room.

In the United States:

- All gas dryers must be exhausted to the outside.
- Electric dryers located in a confined area such as a bedroom, bathroom, or closet must be exhausted to the outside.
- Electric dryers not located in a confined area may be exhausted to the inside (see nonexhausted installations).

In Canada:

- All dryers must be exhausted to the outside.

Outside the U.S. and Canada:

- Refer to local codes.





WARNING – plastic or nonmetal flexible duct presents a potential fire hazard.

NEVER USE PLASTIC OR NONMETAL FLEXIBLE DUCT.

If your existing ductwork is plastic, nonmetal or combustible, replace it with metal. Use only metal exhaust duct that will not support combustion to insure the containment of exhaust air, heat and lint.

DUCTING REQUIREMENTS

- Use A Minimum Of 4-inch (10.2 Cm) Diameter Rigid Aluminum Or Rigid Galvanized Steel Duct.
- Do not use smaller duct.
- Ducts larger than 4 inches (10.2 cm) in diameter can result in increased lint accumulation. Lint accumulation should be cleaned regularly.
- If flexible metal duct must be used, use the type with a stiff sheet metal wall. Do not use flexible duct with a thin foil wall. Serious blockage can result if flexible metal duct is bent too sharp.
- Never install any type of flexible duct in walls, ceilings or other concealed spaces.
- Keep exhaust duct as straight and short as possible.
- Secure joints with duct tape. Do not use screws.
- DO NOT EXHAUST DRYER INTO ANY WALL, CEILING, CRAWL SPACE OR A CONCEALED SPACE OF A BUILDING, GAS VENT, ANY OTHER COMMON DUCT OR CHIMNEY. THIS COULD CREATE A FIRE HAZARD FROM LINT EXPELLED BY THE DRYER.
- Plastic flexible duct can kink, sag, be punctured, reduce airflow, extend drying times and affect dryer operation.

| ELECTRIC AND GAS DRYER | | | | |
|---|-----------------|--------------------|--|--------------------|
| Weather Hood Type | | | | |
| Recommended | | | Use only for short run installation | |
| 4"(10,16 cm) | | | 2 1/2"(6,35 cm) | |
|  | | |  | |
| No. of 90° elbows | Rigid | Metallic Flexible* | Rigid | Metallic Flexible* |
| 0 | 24.4 m (80 ft.) | 12.4 m (41 ft.) | 22.6 m (74 ft.) | 10.1 m (33 ft.) |
| 1 | 20.7 m (68 ft.) | 11.2 m (37 ft.) | 18.9 m (62 ft.) | 8.8 m (29 ft.) |
| 2 | 17.4 m (57 ft.) | 10.1 m (33 ft.) | 15.5 m (51 ft.) | 7.6 m (25 ft.) |
| 3 | 14.3m (47 ft.) | 9.0 m (29 ft.) | 12.5 m (41 ft.) | 6.5 m (21 ft.) |

* Do not use non metallic flexible duct.

- Exhaust systems longer than recommended can extend drying times, affect machine operation and may collect lint.
- The exhaust duct should end with an exhaust hood with a swing out damper to prevent back drafts and entry of wildlife. Never use an exhaust hood with a magnetic damper.
- The hood should have at least 12 inches (30.5 cm) of clearance between the bottom of the hood and the ground or other obstruction. The hood opening should point down. Never install a screen over the exhaust outlet.
- When possible, do not exhaust the dryer directly into a window well in order to avoid lint build-up. Do not exhaust under a house or porch.
- If exhaust ductwork must run through an unheated area, the duct should be insulated and slope slightly down towards the exhaust hood to reduce condensation and lint build-up.
- Inspect and clean the interior or the exhaust system at least once a year. Disconnect electrical service prior to cleaning.
- Frequently check to be sure the exhaust hood damper opens and closes freely.

If new dryer is installed into an existing exhaust system you must be sure:

- The exhaust system meets all local, state and national codes.
- That plastic flexible duct is not used.
- Inspect and clean all lint accumulation from the interior of the existing duct.
- The duct is not kinked or crushed.
- The exhaust hood damper opens and closes freely.

The static pressure in any exhaust system must not exceed 0.83 inches of water column, or be less than 0.

This can be measured with the dryer running with a manometer at the point where the exhaust duct connects to the dryer. A no heat setting should be used. The dryer tumbler should be empty and the lint filter clean.

NONEXHAUSTED INSTALLATIONS

- If the electric dryer is not exhausted to the outside, the exhaust must not terminate directly behind the dryer.
- Use a rectangular vent kit along with a Dacron mesh lint bag (see Accessories). Maintain a 6" (15.2 cm) clearance between the back of the dryer and the wall. Although the lint screen and lint bag will retain most of the lint, a certain amount will be expelled into the laundry area.
- **WARNING: IF THE DRYER IS NOT EXHAUSTED TO THE OUTSIDE, SOME FINE LINT WILL BE EXPELLED INTO THE LAUNDRY AREA. AN ACCUMULATION OF DUST OR LINT IN ANY AREA OF THE HOME CREATES A FIRE HAZARD. ANY LINT ACCUMULATIONS MUST BE CLEANED FREQUENTLY.**

GAS REQUIREMENTS

Use only Natural or LP (liquid propane) gases.

THE INSTALLATION MUST CONFORM WITH LOCAL CODES, OR IN THE ABSENCE OF LOCAL CODES, WITH THE NATIONAL FUEL GAS CODE ANSI/Z223.1, LATEST REVISION (FOR THE UNITED STATES), OR WITH THE CAN/CGA-B149 INSTALLATION CODES (FOR CANADA).

Gas dryers are equipped with a burner orifice for operation on NATURAL gas. **If the dryer is to be operated on LP (liquid propane) gas, it must be converted for safe and proper performance and must be converted by a qualified service technician.** Conversion kits from NATURAL to LP, or LP to NATURAL are available through your local Maytag dealer (see Accessories). If other conversions are required, check with the local gas utility for specific information concerning conversion requirements.

A 1/2" (1.27 cm) gas supply line is recommended and must be reduced to connect to the 3/8" (1.0 cm) gas line on the dryer.

The National Fuel Gas Code requires that an accessible, approved manual gas shut off valve be installed within 6 feet of the dryer.

Gas Dryers installed in residential garages must be elevated 18 inches (46 cm) above the floor.

Additionally, a 1/8" (.3 cm) N.P.T. (National Pipe Thread) plugged tapping, accessible for test gauge connection, must be installed immediately upstream of the gas supply connection to the dryer.

The dryer must be disconnected from the gas supply piping system during any pressure testing of the system.

DO NOT re-use old flexible metal gas line. Flexible gas line must be design certified by American Gas Association (CGA in Canada). **NOTE:** Any pipe joint compound used must be resistant to the action of any liquefied petroleum gas.

NOTE: As a courtesy, most local gas utilities will inspect a gas appliance installation.

GAS IGNITION –

This dryer uses an automatic ignition system to ignite the burner. **There is no constant burning pilot.**

COMMONWEALTH OF MASSACHUSETTS INSTALLATION INSTRUCTIONS

This gas dryer must be installed by a licensed plumber or gas fitter

A "T" handle manual gas valve must be installed in the gas supply line to this gas dryer.

If a flexible gas connector is used to install this gas dryer, the connector must have a maximum length of 3 feet. (36 inches)

WARNING

Gas leaks may occur in your system and result in a dangerous situation. Gas leaks may not be detected by smell alone. Gas suppliers recommend you purchase and install a UL approved gas detector. Install and use in accordance with the manufacturer's instructions.

ELECTRICAL REQUIREMENTS

NOTE: Wiring diagram is located below the Top Cover.

Export models (not U.S. or Canada): See Additional Instructions for Export Models on the other side of this sheet.



- Improper connection of the equipment grounding conductor can result in a risk of electric shock. Check with a qualified electrician or serviceman if you are in doubt as to whether the appliance is properly grounded. Do not modify the plug provided with the appliance – if it will not fit the outlet, have a proper outlet installed by a qualified electrician.
- To prevent unnecessary risk of fire, electrical shock or personal injury, all wiring and grounding must be done in accordance with local codes, or in the absence of local codes, with the National Electrical Code, ANSI/NFPA No. 70-Latest Revision (for the US) or the Canadian Electrical Code CSA C22.1 - Latest Revisions and local codes and ordinances. It is the personal responsibility and obligation of the appliance owner to provide adequate electrical services for this appliance
- All gas installations must be done in accordance with the national Fuel Code ANSI/Z2231 - Last revision (for United States) or CAN/CGA - B149 Installation Codes - Latest Revision (for Canada) and local codes and ordinances.

GROUNDING

This dryer must be grounded. In the event of malfunction or breakdown, the ground will reduce the risk of electrical shock by providing a path of least resistance for electrical current.

GAS MODELS

This appliance is equipped with a cord having an equipment-grounding conductor and a grounding plug. The plug must be plugged into an appropriate outlet that is properly installed and grounded in accordance with all local codes and ordinances.

Do not modify the plug provided with the appliance – if it will not fit the outlet, have a proper outlet installed by a qualified electrician.

If a separate ground is required by local codes, a grounding kit (Part No. 12001875) is available. It contains ground wire, clamp, ground screw and washer. Connect ground wire to back of unit with the cabinet ground screw and washer. Secure other end of ground wire to a suitable external ground connection. The wire may be secured with the clamp to a grounded COLD metal water pipe.

NEVER CONNECT GROUND WIRE TO PLASTIC PLUMBING LINES, GAS LINES OR HOT WATER PIPES.

ELECTRIC MODELS

This appliance is equipped with a cord having an equipment-grounding conductor and a grounding plug. The plug must be plugged into an appropriate outlet that is properly installed and grounded in accordance with all local codes and ordinances.

If a power cord is not used and the electric dryer is to be permanently wired, the dryer must be connected to a grounded metal, permanent wiring system; or an equipment grounding conductor must be run with the circuit conductors and connected to the equipment grounding terminal.

ELECTRICAL CONNECTIONS

BEFORE OPERATING OR TESTING, follow all grounding instructions in Grounding Section.

An individual branch (or separate) circuit serving only this appliance is recommended. **DO NOT USE AN EXTENSION CORD.**

GAS MODELS – U.S. and Canada

A 120 volt, 60 Hz AC, approved electrical service, with a 15 ampere fuse or circuit breaker is required.

ELECTRIC MODELS – U.S. Only

Most U.S. dryers, as manufactured, require a 120/240 volt, 60 Hz AC approved electrical service. Some require 120/208 volt, 60 Hz approved electrical service. The electric service requirements can be found on the data label located on the front behind the door. A 30 ampere fuse or circuit breaker on both sides of the line is required.

- If a power cord is used, the cord should be plugged into a 30-ampere receptacle.
- The power cord is **NOT** provided with U.S. electric model dryers.

IMPORTANT: When permitted by local codes, the dryer electrical supply may be connected by means of a new power supply cord kit, marked for use with clothes dryer, that is U.L. listed, rated at 120/240 volts minimum, 30 amperes with three No. 10 copper wire conductors terminated with closed loop terminals, open-end spade lugs with turned up ends or with tinned leads.

- Do not reuse a power supply cord from an old dryer. The power cord electric supply wiring must be retained at the dryer cabinet with a suitable UL listed strain relief.
- If the dryer is to be installed in a mobile home or an area where local codes do not permit grounding through neutral, only a 4 conductor power cord, rated and terminated as above, may be used.
(Use 4-prong plug for 4 wire receptacle, NEMA type 14-30R)

ELECTRIC MODELS - Canada Only

- A 120/240 volt, 60 Hz AC approved electrical service fused through a 30 ampere fuse or circuit breaker on both sides of the line is required.
- All Canadian models are shipped with the power cord attached. The power cord should be plugged into a 30 ampere receptacle.

NOTE: It is not permissible to convert a dryer in Canada to 208 volts.

REPLACEMENT PARTS AND ACCESSORIES

If your dryer requires replacement parts or accessories, contact the dealer from whom you purchased your dryer or Maytag Customer Service, Box 2370, Cleveland, Tennessee 37320-2370, phone 423-472-3333, for information on the nearest authorized Maytag Parts Distributor.

INSTALLATION

Parts and literature are packaged inside of dryer drum.

To Install...

- 1.** Move dryer to an appropriate location for installation. Consider installing the dryer before the washer in side-by-side installations, to allow access to gas, electrical and exhaust connections. Lay two of the carton corner posts on the floor. Tip the dryer on its side so it will lay across both corner posts.
- 2.** Set the dryer back in an upright position.
- 3.** Review the Exhausting Section before installing the exhaust system. Install the ductwork from the dryer to the exhaust hood. The crimped end of the duct sections must point away from the dryer. DO NOT use sheet metal screws when assembling ducting. These joints should be taped. **Never use plastic flexible exhaust material.**

Tip for tight installations: install a section of exhaust system to the dryer before moving the dryer in place. Use duct tape to secure this section to the dryer but do not cover louvers in dryer cabinet.

4. *Review Electrical Requirements Section.*

BEFORE OPERATING OR TESTING, follow the grounding instructions in the Grounding Section.

U.S. MODELS:

IMPORTANT - All U.S. models are produced for a **3-WIRE SYSTEM CONNECTION**. The dryer frame is grounded to the neutral conductor at the terminal block.

A **4-WIRE SYSTEM CONNECTION** is required for new or remodeled construction, mobile homes, or if local codes do not permit grounding through neutral. If the 4-wire system is used, the dryer frame cannot be grounded to the neutral conductor at the terminal block. Refer to the following instructions for 3- and 4-WIRE SYSTEM CONNECTIONS.

Remove the terminal block cover plate.

Insert the power cord with a U.L. listed strain relief through the hole provided in the cabinet near the terminal block.

NOTE: a strain relief must be used.

Do not loosen the nuts already installed on the terminal block. Be sure they are tight. Use a 3/8" (1 cm) deep well socket.

5. *Review Gas Requirements Section.*

Remove the pipe thread protective cap.

Apply pipe joint compound or about 1 1/2 wraps of Teflon tape over all threaded connections.

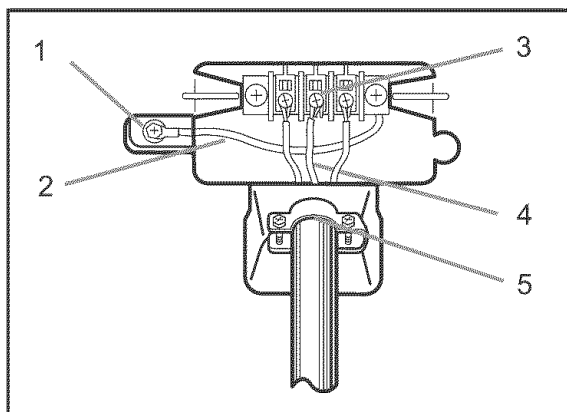
NOTE: Pipe joint compound must be resistant to the action of any liquefied petroleum gas.

Connect the gas supply to the dryer. An additional fitting is required to connect the 3/4" (1.9 cm) female thread end of a flexible connector to the 3/8" (1 cm) male threaded end on the dryer. Securely tighten the gas line fitting over threads.

Turn on the gas supply. Check all gas connections for leaks using a soap solution. If bubbles occur, tighten the connections and recheck. **DO NOT use an open flame to check for gas leaks.**

3-WIRE SYSTEM CONNECTIONS

1. Loosen or remove center terminal block screw.
2. Connect neutral wire (white or center wire) of power supply cord to the center, silver colored terminal screw of the terminal block. Tighten screw.
3. Connect the other wires to outer terminal block screws. Tighten screws.
4. Tighten strain relief screws.
5. Insert tab of terminal block cover into slot of dryer rear panel. Secure cover with hold-down screw.

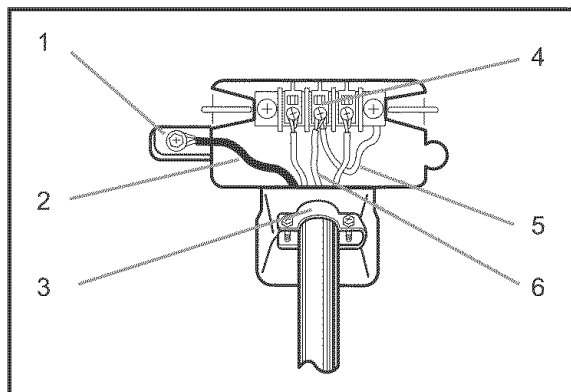


1. External ground connector
2. Neutral grounding wire (green/yellow)
3. Center silver-colored terminal block screw
4. Neutral wire (white or center wire)
5. 3/4 in. (1.9 cm) UL-listed strain relief

WARNING: If converting from a 4-wire electrical system to a 3-wire, the ground strap must be reconnected to the terminal block support to ground the dryer frame to the neutral conductor.

4-WIRE SYSTEM CONNECTIONS

1. Remove center terminal block screw.
2. Connect ground wire (green or bare) of power supply cord to external ground conductor screw.
3. Connect neutral wire (white or center wire) of power supply cord and appliance ground wire (green with yellow stripes) under central screw of the terminal block.
4. Connect the other wires to outer terminal block screws. Tighten screws.
5. Tighten strain relief screws.
6. Insert tab of terminal block cover into slot of dryer rear panel. Secure cover with hold-down screw.



1. External ground connector
2. Green or bare copper wire of power supply cord
3. 3/4 in. (1.9 cm) UL-listed strain relief
4. Center silver-colored terminal block screw
5. Grounding wire (green/yellow)
6. Neutral wire (white or center wire)

EXPORT MODELS

Refer to last page of installation instructions.

6. With a level, check the dryer, and make necessary adjustments to the leveling legs.
7. At this time, make sure all gas connections (on gas models), exhaust and electrical connections are complete. Plug dryer in, and check operation by using the check list below.
8. (GAS MODELS ONLY)

The burner may not ignite initially due to air in the gas line. Allowing the dryer to operate on a heat setting will purge the line. If the gas does not ignite within five minutes, turn the dryer off and wait

5 minutes. Be sure the gas supply to the dryer has been turned on. In order to confirm gas ignition, check the exhaust for heat.

FINAL INSTALLATION CHECK LIST

- Dryer is plugged into electrical outlet and is properly grounded.
- Exhaust duct work is hooked up and joints taped.
- Plastic flexible duct is NOT used.
- Use rigid or stiff walled flexible metal vent material.
- Dryer is level with all legs firmly on the floor.
- Gas Models – gas is turned on, there are no gas leaks.
- Start dryer to confirm dryer runs, heats, shuts off.
- Demonstrate use to consumer.

HOUSEHOLD INSTALLATION ACCESSORIES

- Vent hood – 4” (10.16 cm) opening – 059129
- Aluminum pipe – 4” x 24” (10.16 cm x 60.96 cm) – 059130
- Aluminum elbow – 4” (10.16 cm) – 059131
- Aluminum window plate – 15” x 20” (38.10 cm x 50.80 cm) – 4” (10.16 cm) hole – 059134
- Flexible aluminum vent duct – 4” (10.16 cm) diameter – 38” (81.28 cm) length stretches to 8’ (2.44 cm) – 304353
- Clamp for flexible aluminum duct – 304630
- Exhaust duct kit for base or left side exhausting – 12002641
- Rectangular vent kit – 059144
- Dacron lint bag – 311353
- NATURAL to LP conversion kit – 306195
- LP to NATURAL conversion kit – 306204
- Anchor bracket kit – 12002643
- Grounding kit – 12001875
- Power cords – 240 v, 30 A
 - 4’ (121.9 cm) – 3-wire – 33001780
 - 5’ (152.4 cm) – 3-wire – 33001822
 - 6’ (182.9 cm) – 3-wire – 33001823
 - 10’ (304.8 cm) – 3-wire – 33001838
 - 4’ (121.9 cm) – 4-wire – 33001781
 - 5’ (152.4 cm) – 4-wire – 33001824
 - 6’ (182.9 cm) – 4-wire – 33001825
 - 10’ (304.8 cm) – 4-wire – 33001838

ADDITIONAL INSTRUCTIONS FOR EXPORT MODELS

(Not U.S. Mexico, or Canada) Contact the distributor that sold the appliance or: Maytag International, 1475 East Woodfield Road Schaumburg, Illinois 60173 Phone: 847-273-3100, for information on product, shipping damage, replacement parts and accessories.

Maytag dryer models manufactured for operation on 60Hz AC are not designed for use on 50Hz AC electrical service and conversion of the product from 60 to 50Hz operation is not recommended. For additional information on 50Hz product, contact Maytag International. The electric service requirements can be found on the data label located on the front of the dryer behind the door.

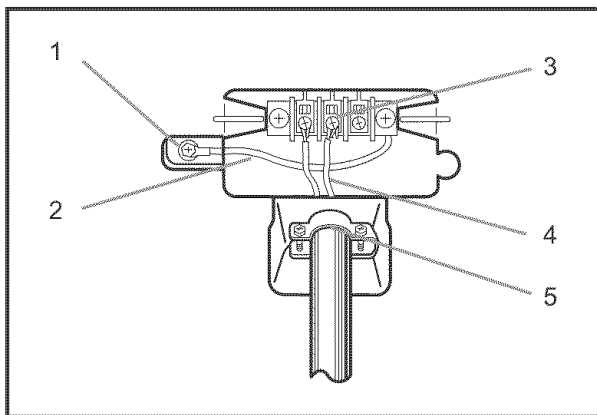
EXPORT ELECTRIC MODELS

Some export electric models are manufactured for operation on 230/240 volt, 50 Hz and some for operation on 220 Volt, 60 Hz electric service. A two-wire approved electrical service with a 30-amp fuse or circuit breaker is required. The dryer must be earthed with an earthing wire.

IMPORTANT: When permitted by local codes the dryer electrical supply may be connected by means of a power supply cord kit. The cord must be marked for use with clothes dryers, agency listed, rated for 240 volts - 30 amp minimum. The cord should be terminated with closed loop terminals, open-end spade lugs with turned up ends or with tinned leads. Do not reuse a power supply cord from an old dryer. The power cord or electric supply wiring must be retained at the dryer cabinet with a suitable agency listed strain relief.

2-WIRE SYSTEM CONNECTIONS

1. Loosen or remove center terminal block screw.
2. Connect neutral wire (White or center wire) of power supply cord to the center, silver colored terminal screw of the terminal block. Tighten screw.
3. Connect the other wire to outer terminal block screw. Tighten screw.
4. Tighten strain relief screws.
5. Insert tab of terminal block cover into slot of dryer rear panel, Secure cover with hold-down screw.



1. External ground connector
2. Neutral grounding wire (green,yellow)
3. Center silver-colored terminal clock screw.
4. Neutral wire (white or center wire)
5. 3/4 in. (1.9 c m) UL-listed strain relief
6. Neutral wire (white or center wire)

BEFORE OPERATING OR TESTING, be sure the machine is properly grounded.

EXPORT GAS MODELS

Some export gas models are manufactured for operation on 230/240 volt, 50 Hz and some for operation on 220 volt, 60 Hz electrical service with a 15 amp fuse or circuit breaker.

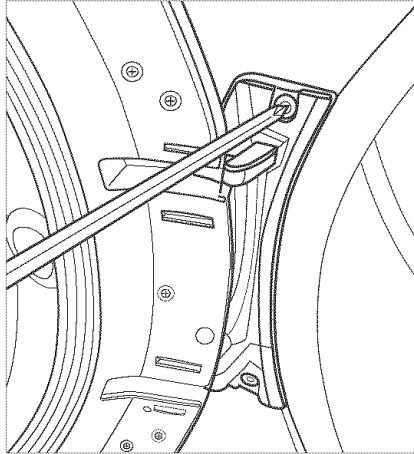
Export gas models have been manufactured for use with natural gas having a higher heating value of approximately 1025 BTU per cubic foot. Conversion to LP gas with a higher heating value must be performed by a qualified service technician. A 33002927 Natural Gas to LP Gas, 50 Hz conversion kit is available.

Door Reversal

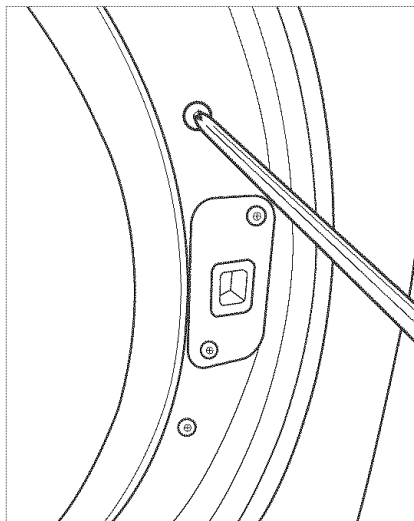
1. Disconnect power supply to unit.

2. Remove 2 screws on door hinge.

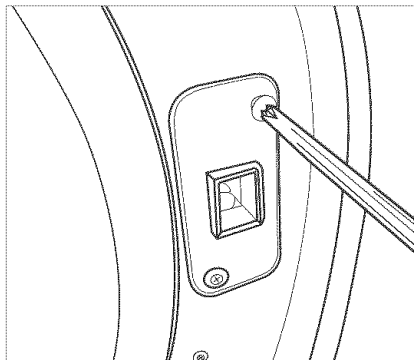
3. Lift the door and remove from dryer.



4. Remove 2 screws on opposite side of door hinge.



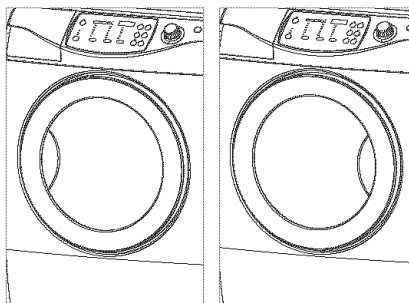
5. Remove 2 screws on holder lever.



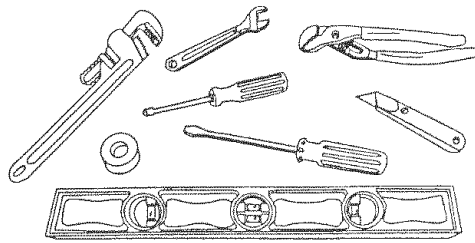
6. Locate door at the other side and reassemble door to dryer.

7. Reassemble holder lever.

8. Reassemble 2 screws in remained holes.

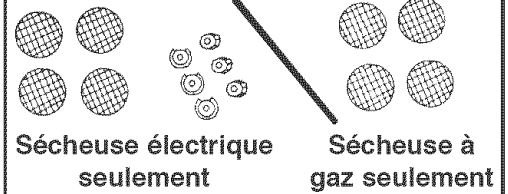


Outils nécessaires à l'installation



- Ruban de Téflon ou pâte à joint (*gaz seulement*)
- Couteau à tailler les bordures
- Clé à tube (*gaz seulement*)
- Tourne-écrous
- Niveau
- Tournevis (*standard*)
- Ruban adhésif en toile
- Clé à molette

ARTICLES FOURNIS



Il incombe au propriétaire d'effectuer une installation adéquate.

CEPENDANT, L'INSTALLATEUR EST RESPONSABLE DES APPELS DE SERVICE DÉCOULANT D'UN ASSEMBLAGE, D'UNE CONNEXION OU D'UN RÉGLAGE DÉFICIENTS.

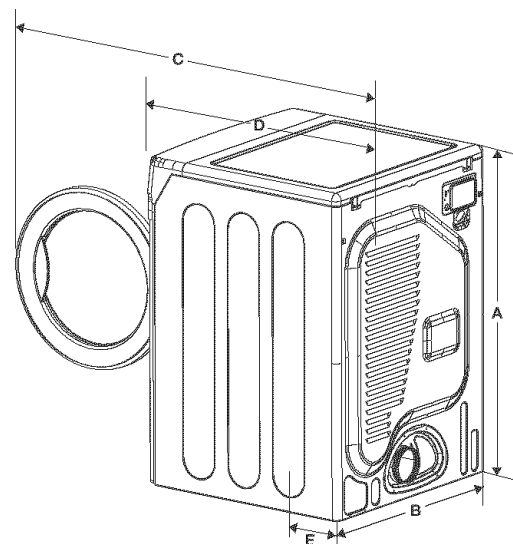
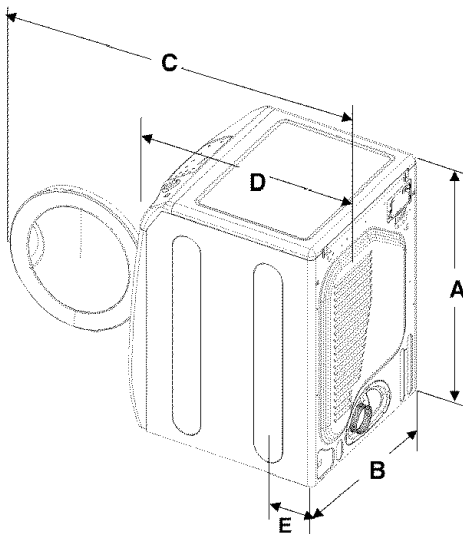
Assurez-vous d'avoir en main tout ce dont vous avez besoin pour effectuer une installation adéquate.

1. PRISE DE COURANT MISE À LA TERRE - obligatoire. Voir Exigences électriques.
2. CORDON D'ALIMENTATION pour les sècheuses électriques (sauf au Canada).
3. Les CONDUITES DE GAZ (dans le cas d'une sècheuse à gaz) doivent satisfaire aux normes des codes nationaux et locaux.
4. CONDUIT D'ÉVACUATION - doit être en métal rigide ou en métal flexible à parois rigides. Voir Exigences d'évacuation.

DIMENSIONS

| 9700 series | CM (PO) |
|--|--------------------|
| A. Hauteur hors tout | 96,5cm (38po) |
| B. Largeur | 68,6cm (27po) |
| C. Profondeur lorsque la porte est ouverte à 90° | 125,4cm (49-3/8po) |
| D. Profondeur | 77,2cm(30-3/8po) |
| E. Emplacement de l'évent du bas - de l'arrière au centre de l'ouverture | 19cm (7-1/2po) |
| Emplacement de l'évent latéral - de l'arrière au centre de l'ouverture | 21,6cm (8-1/2po) |

| 6700 series | CM (PO) |
|--|---------------------|
| A. Hauteur hors tout | 96,5cm (38po) |
| B. Largeur | 68,6cm (27po) |
| C. Profondeur lorsque la porte est ouverte à 90° | 123,0cm (46-7/16po) |
| D. Profondeur | 71,0cm(28po) |
| E. Emplacement de l'évent du bas - de l'arrière au centre de l'ouverture | 19cm (7-1/2po) |
| Emplacement de l'évent latéral - de l'arrière au centre de l'ouverture | 21,6cm (8-1/2po) |



Remarque :

La hauteur de la sècheuse est de 84,5 cm (38 po) lorsque les pieds de mise à niveau sont complètement vissés. Le client peut les dévisser afin d'obtenir une hauteur supplémentaire de 2,2 cm (7/8 po), ce qui donne une hauteur hors tout totale de 86,7 cm (38 1/8 po).

AVIS IMPORTANT À L'INSTALLATEUR

Veuillez lire attentivement les instructions suivantes avant d'installer la sècheuse. Vous devez conserver ces instructions pour consultation ultérieure.

ENLEVEZ LA PORTE DE TOUS LES APPAREILS ÉLECTROMÉNAGERS MIS AU REBUT, COMME LES SÈCHEUSES, AFIN D'ÉLIMINER LES RISQUES D'ASPHYXIE CHEZ LES ENFANTS.

CONSIDÉRATIONS RELATIVES À L'EMPLACEMENT

L'espace prévu pour la sècheuse doit être suffisant à l'avant pour permettre le chargement des vêtements et suffisant à l'arrière pour permettre l'installation du conduit d'évacuation.

La sècheuse est configurée en usine pour l'évacuation de la vapeur par l'arrière. Si vous désirez que l'évacuation de la vapeur se fasse par le bas ou du côté gauche, utilisez la trousse d'évacuation (voir Accessoires). Cette trousse est accompagnée d'instructions.

Il est important de s'assurer que l'air d'appoint dans la pièce est suffisant. L'endroit où la sècheuse est installée ne doit pas obstruer le flux d'air comburant et de ventilation.

Dans le cas des sècheuses à gaz, il faut prévoir un dégagement adéquat, indiqué sur la plaque signalétique, afin d'assurer une alimentation en air suffisante pour la combustion et le bon fonctionnement de la sècheuse.

LA SÈCHEUSE **NE DOIT PAS** ÊTRE INSTALLÉE NI ENTREPOSÉE DANS UN ENDROIT OÙ ELLE SERA EXPOSÉE À L'EAU OU AUX INTEMPÉRIES. L'EMPLACEMENT DE LA SÈCHEUSE DOIT ÊTRE EXEMPT DE MATÉRIAUX COMBUSTIBLES, D'ESSENCE ET D'AUTRES VAPEURS ET LIQUIDES INFLAMMABLES. UNE SÈCHEUSE PRODUIT DE LA CHARPIE COMBUSTIBLE. CELLE-CI NE DOIT PAS S'ACCUMULER AUTOUR DE LA SÈCHEUSE.

INSTALLATION DANS UNE ALCÔVE OU UN PLACARD



AVERTISSEMENT – Lorsqu'elle est installée dans une alcôve ou un placard, la sècheuse doit évacuer l'air vers l'extérieur pour réduire le risque d'incendie.

- Lorsqu'un appareil est installé dans un placard, aucun autre appareil à combustible ne doit être installé au même endroit.
- **AVERTISSEMENT : Pour réduire le risque d'incendie, l'air produit par la sècheuse DOIT ÊTRE ÉVACUÉ À L'EXTÉRIEUR.** Voir la section **RENSEIGNEMENTS SUR L'ÉVACUATION.**

- Les dégagements minimaux entre la sècheuse et les murs adjacents ou autres surfaces sont de 5 cm (2 po) à l'avant, de 43 cm (17 po) sur le dessus, de 0 cm (0 po) de chaque côté et de 6 cm (2 3/8 po) à l'arrière.
- La partie avant du placard doit comporter deux ouvertures d'aération non obstruées d'une surface combinée totale minimale de 183 cm² (72 po²), lesquelles doivent être situées au moins à 7,6 cm (3 po) du haut et du bas.
Une porte-persienne avec ouverture d'aération équivalente est acceptable.

INSTALLATION DANS UNE MAISON MOBILE

L'installation de la sècheuse dans une maison mobile doit se faire conformément à la norme Manufactured Home Construction and Safety Standard, titre 24 CFR, article 32-80 (anciennement Federal standard for Mobile Home Construction and Safety, titre 24, HUD [article 280], 1975) pour les États-Unis, ou la norme CSA Z240 pour le Canada. Lorsqu'on installe une sècheuse dans une maison mobile, il faut prévoir l'ancrage de la sècheuse au plancher. Une trousse de supports de fixation accompagnée d'instructions est fournie (voir Accessoires). Repérez un endroit où il y a suffisamment d'air d'appoint. Une ouverture minimale de 183 cm² (72 po²) est requise devant la sècheuse. Toutes les sècheuses installées dans des maisons mobiles doivent évacuer l'air vers l'extérieur. Le raccord du conduit d'évacuation doit être solidement fixé à la structure de la maison mobile et les matériaux utilisés ne doivent pas favoriser la combustion. Le conduit d'évacuation ne doit pas déboucher en dessous de la maison mobile. Voir la section sur l'évacuation pour de plus amples renseignements.

ÉVACUATION

L'évacuation de l'air de la sècheuse à l'extérieur empêchera l'accumulation de charpie et d'humidité dans la pièce.

Aux États-Unis:

- L'air des sècheuses à gaz doit être évacué à l'extérieur.
- L'air des sècheuses électriques qui sont installées dans des endroits exigus, comme les chambres à coucher ou les salles de bain, doit être évacué à l'extérieur.
- L'air des sècheuses électriques qui ne sont pas installées dans des endroits exigus peut être évacué à l'intérieur (voir Installations sans évacuation à l'extérieur).

Au Canada:

- L'air de toutes les sècheuses doit être évacué à l'extérieur.

À l'extérieur du Canada et des États-Unis:

- Consultez les codes locaux.





AVERTISSEMENT – Les conduits flexibles en plastique ou non métalliques présentent un risque d'incendie.

N'UTILISEZ JAMAIS DES CONDUITS FLEXIBLES EN PLASTIQUE OU NON MÉTALLIQUES.

Si vos conduits actuels sont en plastique, non métalliques ou combustibles, remplacez-les par des conduits métalliques. N'utilisez que des conduits d'évacuation métalliques non combustibles pour assurer le confinement de l'air d'évacuation, de la chaleur et de la charpie.

EXIGENCES RELATIVES AUX CONDUITS D'ÉVACUATION

- Utilisez un conduit en aluminium rigide ou en acier galvanisé rigide d'au moins 10,2 cm (4 po) de diamètre.
- N'utilisez pas de conduits plus petits.
- Les conduits dont le diamètre excède 10,2 cm (4 po) peuvent favoriser l'accumulation de charpie. Cette dernière doit être éliminée régulièrement.
- Si vous devez utiliser un conduit métallique flexible, assurez-vous que la paroi est en tôle rigide. N'utilisez pas un conduit flexible à paroi mince, car il risque de se boucher s'il est trop courbé.
- N'installez jamais de conduits flexibles dans les murs, les plafonds ou autres vides de construction.
- Faites en sorte que le parcours du conduit soit le plus court et le plus rectiligne possible.
- Scellez les joints avec du ruban adhésif en toile. N'utilisez pas de vis.
- **NE FAITES JAMAIS DÉBOUCHER LE CIRCUIT D'ÉVACUATION DE LA SÈCHEUSE DANS UN MUR, UN PLAFOND, UN VIDE SANITAIRE OU UN VIDE DE CONSTRUCTION DU BÂTIMENT, NI DANS UN CONDUIT D'ÉVACUATION DES GAZ BRÛLÉS OU TOUT AUTRE CONDUIT OU CHEMINÉE. DANS DE TELS ENDROITS, LA CHARPIE EXPULSÉE PAR LA SÈCHEUSE PRÉSENTE UN RISQUE D'INCENDIE.**
- Les conduits flexibles en plastique peuvent se tordre, s'affaisser, se perforer, réduire le flux d'air, prolonger le temps de séchage et nuire au fonctionnement de la sècheuse.

| SÈCHEUSES ÉLECTRIQUES ET À GAZ | | | | |
|---|----------------|--------------------|--|--------------------|
| De type à chapeau de protection contre les intempéries | | | | |
| Recommandé | | | Pour de courte distance seulement | |
| 10,16 cm (4 po) | | | 6,35 cm (2 1/2 po) | |
|  | | |  | |
| Nbre de coudes de 90° | Rigide | Flexible en métal* | Rigide | Flexible en métal* |
| 0 | 24.4 m (80 pi) | 12.4 m (41 pi) | 22.6 m (74 pi) | 10.1 m (33 pi) |
| 1 | 20.7 m (68 pi) | 11.2 m (37 pi) | 18.9 m (62 pi) | 8.8 m (29 pi) |
| 2 | 17.4 m (57 pi) | 10.1 m (33 pi) | 15.5 m (51 pi) | 7.6 m (25 pi) |
| 3 | 14.3m (47 pi) | 9.0 m (29 pi) | 12.5 m (41 pi) | 6.5 m (21 pi) |

* N'utilisez pas de conduits flexibles non métalliques.

- Les conduits d'évacuation dont la longueur excède la longueur recommandée peuvent prolonger le temps de séchage, nuire au fonctionnement de la machine et favoriser l'accumulation de la charpie.
- Le conduit d'évacuation doit se terminer par un chapeau pourvu d'un clapet basculant pour empêcher le refoulement de l'air et l'intrusion d'animaux. N'utilisez jamais une bouche de sortie dotée d'un clapet magnétique.
- Il doit y avoir un dégagement d'au moins 30,5 cm (12 po) entre le bas du chapeau et le sol ou tout autre obstacle. L'ouverture du chapeau doit pointer vers le bas. N'installez jamais de grille sur la sortie.
- Si possible, évitez d'installer le conduit d'évacuation de la sècheuse directement dans un encadrement de soupirail afin de ne pas favoriser l'accumulation de charpie. N'évacuez pas l'air de la sècheuse sous une maison ou une véranda.
- Si le conduit d'évacuation traverse une zone non chauffée, il faut l'isoler et l'incliner légèrement vers le bas en direction du clapet pour réduire la condensation et l'accumulation de charpie.
- Inspectez et nettoyez l'intérieur du conduit d'évacuation au moins une fois l'an. Coupez le courant secteur avant le nettoyage.
- Vérifiez régulièrement si le clapet s'ouvre et se ferme librement.

Si vous raccordez une nouvelle sècheuse à un conduit d'évacuation existant, assurez-vous :

- que le conduit d'évacuation est conforme à tous les codes locaux, provinciaux et nationaux;
- qu'il ne s'agit pas d'un conduit flexible en plastique;
- d'inspecter l'intérieur du conduit existant et d'enlever la charpie accumulée;
- que le conduit n'est pas tordu ni affaissé;
- que le clapet s'ouvre et se ferme librement.

La pression statique à l'intérieur d'un conduit d'évacuation ne doit jamais excéder 2,1 cm de colonne d'eau, ni être inférieure à 0.

On peut la mesurer lorsque la sècheuse est en marche au moyen d'un manomètre au point de raccordement du conduit d'évacuation à la sècheuse. Cette dernière doit être réglée au séchage à froid. Le tambour de la sècheuse doit être vide et le filtre à charpie propre.

INSTALLATIONS SANS ÉVACUATION À L'EXTÉRIEUR

- Si l'air de la sècheuse électrique n'est pas évacué à l'extérieur, le conduit ne doit pas aboutir directement derrière la sècheuse.
- Utilisez une trousse d'évent rectangulaire avec un sac à charpie grillagé en Dacron (voir Accessoires). Prévoyez un dégagement de 15,2 cm (6 po) entre l'arrière de la sècheuse et le mur. Même si la plus grande partie de la charpie est captée par la grille et le sac, une certaine quantité sera évacuée dans la salle de lavage.
- **AVERTISSEMENT : SI L'AIR DE LA SÈCHEUSE N'EST PAS ÉVACUÉ À L'EXTÉRIEUR, IL Y AURA ACCUMULATION DE CHARPIE DANS LA SALLE DE LAVAGE. UNE ACCUMULATION DE POUSSIÈRE OU DE CHARPIE DANS LA MAISON CONSTITUE UN RISQUE D'INCENDIE. IL FAUT DONC ENLEVER FRÉQUEMMENT TOUTE CHARPIE ACCUMULÉE.**

EXIGENCES RELATIVES AU GAZ

N'utilisez que du gaz naturel ou du propane liquide.

L'INSTALLATION DOIT ÊTRE CONFORME À TOUS LES CODES LOCAUX OU, EN L'ABSENCE DE RÉGLEMENTATION LOCALE, AU NATIONAL FUEL GAS CODE ANSI/Z223.1 (AUX ÉTATS-UNIS, VERSION LA PLUS RÉCENTE) OU AUX CODES D'INSTALLATION CAN/CGA-B149 (AU CANADA).

Les sècheuses à gaz sont dotées d'un orifice de combustion pour le fonctionnement au gaz NATUREL. **Si la sècheuse doit être alimentée au propane liquide, un technicien compétent doit en effectuer la conversion afin d'assurer un fonctionnement sûr et approprié.** Des trousse de conversion du gaz NATUREL au propane liquide ou du propane liquide au gaz PROPANE sont disponibles auprès de votre détaillant Maytag (voir Accessoires). Si d'autres types de conversion s'avèrent nécessaires, consultez le distributeur de gaz local afin d'obtenir des renseignements au sujet des exigences à cet égard.

On recommande d'utiliser une conduite de gaz de 1,27 cm (1/2 po) dont on réduira le diamètre afin de la relier à la conduite de gaz de 1 cm (3/8 po) de la sècheuse.

Le National Fuel Gas Code exige l'installation d'un robinet d'arrêt du gaz approuvé à moins de six pieds de la sècheuse.

Les sècheuses à gaz installées dans des garages résidentiels doivent être soulevées à 46 cm (18 po) du plancher.

De plus, il faut installer un connecteur obturé (filetage NPT) de 0,3 c (1/8 po) accessible pour le raccordement de l'instrument de mesure immédiatement en amont de la connexion d'alimentation en gaz de la sècheuse.

Il faut débrancher la sècheuse de la tuyauterie d'alimentation en gaz au cours des essais de pression du circuit.

NE RÉUTILISEZ PAS l'ancienne conduite de gaz métallique flexible. Les conduites de gaz flexibles doivent être homologuées par l'American Gas Association (CGA au Canada). **REMARQUE** : La pâte à joint utilisée doit être à l'épreuve de tout gaz de pétrole liquéfié.

REMARQUE : La plupart des distributeurs de gaz locaux vérifient gratuitement l'installation d'un appareil à gaz.

ALLUMAGE AU GAZ

Cette sècheuse est dotée d'un système d'allumage automatique du brûleur. **Elle est dépourvue d'une veilleuse.**

INSTRUCTIONS D'INSTALLATION DANS LE COMMONWEALTH DU MASSACHUSETTS

Cette sècheuse à gaz doit être installée par un plombier agréé ou un monteur d'installations au gaz autorisé.

Un robinet à gaz pourvu d'une poignée en " T " doit être installé sur la conduite de gaz menant à la sècheuse.

Si un raccord flexible est utilisé dans l'installation de cette sècheuse à gaz, il doit avoir au plus 91 cm (36 po) de longueur.



AVERTISSEMENT

Des fuites de gaz peuvent survenir dans la tuyauterie et constituer un danger. Les fuites de gaz ne peuvent pas toujours être détectées à l'odorat. Les distributeurs de gaz recommandent que vous achetiez et installiez un détecteur de gaz approuvé UL. Installez-le et utilisez-le conformément aux instructions du fabricant.

EXIGENCES ÉLECTRIQUES

REMARQUE : Le schéma de câblage est situé sous le couvercle supérieur.

Modèles destinés à l'exportation (à l'extérieur du Canada et des États-Unis) : Consultez les instructions supplémentaires relatives aux modèles destinés à l'exportation, figurant au verso de cette feuille.



- Une mauvaise connexion de la fiche de mise à la terre peut constituer un risque de choc électrique. Consultez un électricien ou un technicien qualifié si vous n'êtes pas certain que l'appareil est bien mis à la terre. Ne modifiez pas la fiche fournie avec l'appareil - si elle ne s'insère pas dans la prise, faites installer une prise appropriée par un électricien qualifié.
- Afin de prévenir les risques d'incendie, de choc électrique ou de blessure, tout le câblage et la mise à la terre doivent être effectués conformément aux codes locaux ou, en l'absence de codes locaux, conformément aux révisions les plus récentes du National Electrical Code, ANSI/NFPA n° 70 (pour les États-Unis) ou du Code canadien de l'électricité CSA C22.1 ainsi qu'aux codes et ordonnances locaux. Le propriétaire de l'appareil est responsable de l'alimentation électrique de cet appareil.
- Toutes les installations au gaz doivent être effectuées conformément au National Fuel Code ANSI/Z2231 - dernière révision (pour les États-Unis) ou aux Codes d'installation CAN/CGA - B149 - dernière révision (pour le Canada) ainsi qu'aux ordonnances et codes locaux.

MISE À LA TERRE

Cette sècheuse doit être mise à la terre. En cas de défectuosité ou de panne, la mise à la terre réduira les risques de choc électrique en assurant un trajet de moindre résistance au courant électrique.

MODÈLES À GAZ

Cet appareil est pourvu d'un cordon comportant un conducteur et une fiche de mise à la terre. La fiche doit être branchée dans une prise secteur correctement installée et mise à la terre conformément aux ordonnances et codes locaux.

Ne modifiez pas la fiche fournie avec l'appareil - si elle ne s'insère pas dans la prise secteur, faites installer une prise appropriée par un électricien qualifié.

Si les codes locaux exigent une mise à la terre distincte, une trousse de mise à la terre (n° de pièce 12001875) est disponible. Elle contient un fil de mise à la terre, une bride ainsi qu'une vis et rondelle de mise à la terre. Connectez le conducteur de mise à la terre à l'arrière de la sècheuse avec la vis et la rondelle de mise à la terre du châssis. Fixez l'autre extrémité du conducteur à une connexion de mise à la terre externe appropriée. Le conducteur peut être fixé au moyen de la bride à un tuyau d'eau FROIDE métallique mis à la terre.

NE CONNECTEZ JAMAIS LE CONDUCTEUR DE MISE À LA TERRE À DES CANALISATIONS DE PLOMBERIE EN PLASTIQUE, À DES CONDUITES DE GAZ OU À DES TUYAUX D'EAU CHAUDE.

MODÈLES ÉLECTRIQUES

Cet appareil est pourvu d'un cordon comportant un conducteur et une fiche de mise à la terre. La fiche doit être branchée dans une prise secteur correctement installée et mise à la terre conformément aux ordonnances et codes locaux.

S'il n'y a pas de cordon d'alimentation et que la sècheuse électrique est câblée à demeure, celle-ci doit être connectée à un circuit de câblage métallique permanent mis à la terre; autrement, il faut faire courir un fil conducteur de mise à la terre de l'appareil avec les conducteurs du circuit et le connecter à la borne de mise à la terre.

CONNEXIONS ÉLECTRIQUES

AVANT D'UTILISER OU DE METTRE À L'ESSAI LA SÉCHEUSE, suivez toutes les consignes de mise à la terre indiquées dans la section Mise à la terre.

Il est recommandé d'utiliser un circuit de dérivation (ou distinct) individuel n'alimentant que cet électroménager. **N'UTILISEZ PAS DE RALLONGE ÉLECTRIQUE.**

MODÈLES À GAZ - États-Unis et Canada

Une alimentation secteur c.a. homologuée de 120 V, 60 Hz, avec fusible ou disjoncteur de 15 A est requise.

MODÈLES ÉLECTRIQUES - États-Unis seulement

La plupart des sècheuses fabriquées au États-Unis nécessitent une alimentation secteur c.a. approuvée de 120/240 V, 60 Hz. Certaines exigent une alimentation secteur c.a. approuvée de 120/208 V, 60 Hz. Les exigences relatives à l'alimentation secteur figurent sur l'étiquette apposée à l'arrière de la porte de la sècheuse. Un fusible ou disjoncteur de 30 A est requis des deux côtés de la ligne.

- Si on utilise un cordon d'alimentation, celui-ci doit être branché dans une prise de 30 A.
- Le cordon d'alimentation n'est PAS fourni avec les modèles de sècheuses électriques fabriquées pour les États-Unis.

IMPORTANT : Lorsque les codes locaux le permettent, la sècheuse peut être branchée à une alimentation secteur 120/240 V et de 30 A au moyen d'un cordon d'alimentation électrique pour sècheuse à vêtements neuf, désigné comme tel et homologué UL. Ce cordon d'alimentation doit comporter trois conducteurs en cuivre n° 10 terminés par des bornes en boucle fermée, par des cosses à fourche à extrémités ouvertes installées vers le haut ou par des fils étamés.

- Ne réutilisez pas le cordon d'alimentation électrique d'une vieille sècheuse. Les conducteurs électriques du cordon d'alimentation doivent être fixés au châssis de la sècheuse au moyen d'un serre-câble approprié homologué UL.
- Si la sècheuse est installée dans une maison mobile ou dans une région où les codes locaux ne permettent pas la mise à la terre par borne neutre, seul un cordon d'alimentation à quatre conducteurs, homologué et comportant les terminaisons ci-haut, peut être utilisé. (Utilisez une fiche à quatre broches pour prise à quatre conducteurs 14-30R de type NEMA.)

MODÈLES ÉLECTRIQUES - Canada seulement

- Une alimentation secteur homologuée de 120/240 V, 60 Hz c.a. pourvue d'un fusible ou d'un disjoncteur de 30 A des deux côtés de la ligne est requise.
- Tous les modèles canadiens sont livrés avec le cordon d'alimentation approprié déjà installé. Le cordon d'alimentation doit être branché dans une prise de 30 A.

REMARQUE: Au Canada, il est interdit de convertir une sècheuse en vue de la raccorder à une tension 208 V.

PIÈCES DE RECHANGE ET ACCESSOIRES

Si vous avez besoin de pièces de rechange ou d'accessoires pour votre sècheuse, communiquez avec le distributeur chez qui vous l'avez achetée ou avec le service à la clientèle de Maytag à l'adresse suivante : Maytag Customer Service, Box 2370, Cleveland, Tennessee 37320-2370, téléphone : (423) 472-3333, pour connaître l'adresse du distributeur autorisé de pièces Maytag le plus proche.

INSTALLATION

Des pièces et des documents sont emballés à l'intérieur du tambour de la sécheuse. Pour installer...

1. Placez la sécheuse à un endroit approprié pour l'installation. Si la laveuse et la sécheuse doivent être installées côte à côte, installez la sécheuse avant la laveuse de manière à pouvoir accéder aux conduites de gaz et d'évacuation et aux connexions électriques. Posez deux des montants d'angle en carton sur le plancher. Inclinez la sécheuse vers l'avant de façon qu'elle repose sur les deux montants d'angle.
2. Remettez la sécheuse en position verticale.
3. Passez en revue la section Évacuation avant d'installer le conduit d'évacuation. Installez le conduit entre la sécheuse et le clapet. Le bord rabattu des conduits doit pointer du côté opposé de la sécheuse. **N'UTILISEZ PAS** de vis à tôle lorsque vous assemblez les conduits. Les joints doivent être enveloppés de ruban adhésif. **N'utilisez jamais de conduits d'évacuation flexibles en plastique.**
Conseils pour l'installation dans des espaces exigüés : Raccordez une section du conduit d'évacuation à la sécheuse avant de mettre cette dernière en place. Utilisez du ruban adhésif en toile pour fixer cette section à la sécheuse mais ne recouvrez pas les grilles d'aération du châssis de la sécheuse.
4. *Passez en revue la section Exigences électriques.*
AVANT D'UTILISER OU DE METTRE À L'ESSAI LA SÉCHEUSE, suivez toutes les consignes de mise à la terre indiquées dans la section Mise à la terre.

MODÈLES AMÉRICAINS:

IMPORTANT - Tous les modèles américains sont conçus pour être raccordé à **UN CIRCUIT À TROIS CONDUCTEURS**. Le bâti de la sécheuse est mis à la terre au conducteur neutre de la plaque à bornes.

Une **CONNEXION POUR UN CIRCUIT À QUATRE CONDUCTEURS** est requise pour les constructions neuves ou modifiées et pour les maisons mobiles ou dans les cas où les codes locaux interdisent la mise à la terre par une borne neutre. Si on utilise un circuit à quatre conducteurs, le bâti de la sécheuse ne peut pas être mis à la terre au conducteur neutre à la plaque à bornes. Reportez-vous aux instructions suivantes pour les **CONNEXIONS À DES CIRCUITS À TROIS ET À QUATRE CONDUCTEURS**.

Enlevez le couvercle de la plaque à bornes.

Introduisez le cordon d'alimentation pourvu d'un serre-câble dans l'orifice aménagé dans le châssis à proximité de la plaque à bornes.

REMARQUE : Il faut utiliser un serre-câble.

Ne desserrez pas les écrous déjà installés sur la plaque à bornes. Assurez-vous qu'ils sont bien serrés. Utilisez une douille profonde de 1 cm (3/8 po).

5. *Passez en revue la section Exigences A GAZ.*

Retirez le capuchon protecteur du filet.

Appliquez de la pâte à joint ou environ 1 1/2 tour de ruban de Téflon sur toutes les connexions filetées.

REMARQUE : La pâte à joint utilisée doit être à l'épreuve de tout gaz de pétrole liquéfié.

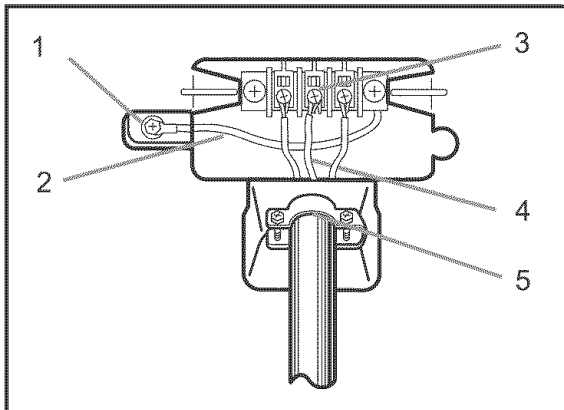
Branchez la conduite de gaz à la sécheuse. Un raccord supplémentaire est nécessaire pour raccorder l'extrémité filetée femelle de 1,9 cm (3/4 po) d'un connecteur souple à l'extrémité filetée mâle de 1 cm (3/8 po) de la sécheuse. Serrez fermement le raccord de la conduite de gaz sur les filets.

Ouvrez l'alimentation en gaz. Appliquez une solution savonneuse sur toutes les connexions pour détecter les fuites. Si des bulles se forment, serrez les connexions et vérifiez-les à nouveau.

N'UTILISEZ PAS une flamme nue pour détecter les fuites de gaz.

CONNEXIONS À UN CIRCUIT À TROIS CONDUCTEURS

1. Dévissez la vis centrale de la plaque à bornes.
2. Connectez le conducteur neutre (blanc ou fil central) du cordon d'alimentation à la borne de raccordement centrale de couleur argent de la plaque à bornes. Serrez la vis.
3. Connectez les autres conducteurs aux vis extérieures de la plaque à bornes. Serrez les vis.
4. Serrez les vis du serre-câble.
5. Introduisez la patte du couvercle de la plaque à bornes dans la fente du panneau arrière de la sècheuse. Fixez le couvercle à l'aide de la vis de retenue.

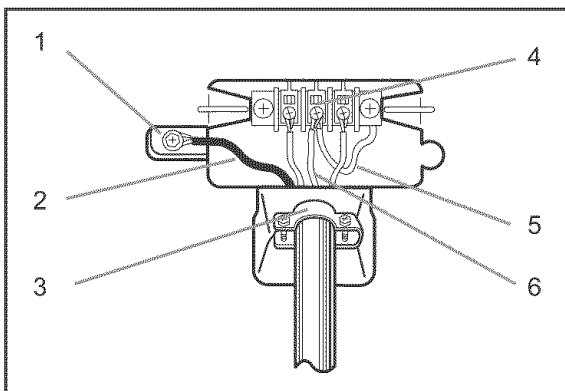


1. Cosse de mise à la terre externe
2. Conducteur de mise à la terre du neutre (vert/jaune)
3. Vis centrale de couleur argent de la plaque à bornes
4. Conducteur neutre (blanc ou fil central)
5. Serre-câble homologué UL de 1,9 cm (3/4 po)

AVERTISSEMENT: Si vous convertissez un circuit électrique à quatre conducteurs en un circuit à trois conducteurs, la tresse de mise à la terre doit être reconnectée au support de la plaque à bornes pour mettre à la terre le bâti de la sècheuse au conducteur neutre.

CONNEXIONS À UN CIRCUIT À QUATRE CONDUCTEURS

1. Retirez la vis centrale de la plaque à bornes.
2. Connectez le conducteur de terre (vert ou nu) du cordon d'alimentation à la vis du conducteur de mise à la terre externe.
3. Branchez le conducteur neutre (blanc ou fil central) du cordon d'alimentation et le conducteur de mise à la terre de l'appareil (vert avec bandes jaunes) à la vis centrale de la plaque à bornes.
4. Connectez les autres conducteurs aux vis extérieures de la plaque à bornes. Serrez les vis.
5. Serrez les vis du serre-câble.
6. Introduisez la patte du couvercle de la plaque à bornes dans la fente du panneau arrière de la sècheuse. Fixez le couvercle à l'aide de la vis de retenue.



1. Cosse de mise à la terre externe
2. Conducteur vert ou fil de cuivre du cordon d'alimentation
3. Serre-câble homologué UL de 1,9 cm (3/4 po)
4. Vis centrale de couleur argent de la plaque à bornes
5. Conducteur de mise à la terre (vert/jaune)
6. Conducteur neutre (blanc ou fil central)

MODÈLES DESTINÉS À L'EXPORTATION

Reportez-vous à la dernière page de la notice d'installation.

6. À l'aide d'un niveau, faites les ajustements nécessaires aux pieds de mise à niveau de la sècheuse.
7. À cette étape, assurez-vous que toutes les connexions des conduits au gaz (sur les modèles au gaz), le circuit d'évacuation et les connexions électriques sont en place. Branchez la sècheuse et vérifiez-en le fonctionnement au moyen de la liste de contrôle ci-dessous.
8. (MODÈLES À GAZ SEULEMENT)
Le brûleur peut ne pas s'allumer au premier essai à cause de l'air dans la conduite. Faites fonctionner la sècheuse à un réglage de chaleur pour expulser l'air. Si le gaz ne s'allume pas au bout de cinq minutes, réglez la sècheuse à la position d'arrêt et attendez cinq minutes. Assurez-vous que l'alimentation en gaz de la sècheuse est ouverte. Pour confirmer que le gaz s'enflamme, vérifiez si le conduit est chaud.

LISTE DE CONTRÔLE DE L'INSTALLATION FINALE

- La sècheuse est branchée sur la prise électrique et est adéquatement mise à la terre.
- Le conduit d'évacuation est raccordé et les joints sont recouverts de ruban.
- Vous n'avez PAS utilisé de conduits en plastique.
- Vous avez installé des événements en métal flexible à paroi rigide.
- La sècheuse est de niveau et ses pattes reposent solidement sur le plancher.
- Modèles au gaz - le gaz est ouvert et il n'y a pas de fuites.
- Mettez la sècheuse en marche afin de vérifier si elle fonctionne, chauffe et s'arrête.
- Faites une démonstration du fonctionnement au consommateur.

ACCESSOIRES POUR INSTALLATION DANS UNE MAISON

- Clapet - ouverture de 10,16 cm (4 po) - 059129
- Tuyau en aluminium - 10,16 x 60,96 cm (4 po x 24 po) - 059130
- Coude en aluminium - 10,16 cm (4 po) - 059131
- Plaque de fenêtre en aluminium - 38,10 cm x 50,80 cm (15 po x 20 po) - ouverture de 10,16 cm (4 po) - 059134
- Conduit d'évacuation flexible en aluminium - diamètre de 10,16 cm (4 po) - longueur de 81,28 cm (38 po) extensible jusqu'à 2,44 m (8 pi). (2,44 cm) - 304353
- Bride pour conduit flexible en aluminium - 304630
- Trousse de conduits d'évacuation pour l'évacuation par la base ou le côté gauche - 12002641
- Trousse d'évent rectangulaire - 059144
- Sac à charpie en dacron - 311353
- Trousse de conversion du gaz NATUREL au gaz de pétrole liquéfié - 306195
- Trousse de conversion du gaz de pétrole liquéfié au gaz NATUREL - 306204
- Trousse de supports de fixation - 12002643
- Trousse de mise à la terre - 12001875
- Cordons d'alimentation - 20 V, 30 A
 - 121,9 cm (4 pi) - 3 conducteurs - 33001780
 - 152,4 cm (5 pi) - 3 conducteurs - 33001822
 - 182,9 cm (6 pi) - 3 conducteurs - 33001823
 - 304,8 cm (10 pi) - 3 conducteurs - 33001838
 - 121,9 cm (4 pi) - 4 conducteurs - 33001781
 - 152,4 cm (5 pi) - 4 conducteurs - 33001824
 - 182,9 cm (6 pi) - 4 conducteurs - 33001825
 - 304,8 cm (10 pi) - 4 conducteurs - 33001838

INSTRUCTIONS SUPPLÉMENTAIRES POUR LES MODÈLES DESTINÉS À L'EXPORTATION

(Ailleurs qu'aux É.-U., LE MEXIQUE ou au Canada) Communiquez avec le détaillant ayant endu l'appareil ou avec Maytag à l'adresse suivante : Maytag International, 1475 East Woodfield Road Schaumburg, Illinois 60173 (tél. : 1-847-273-3100), pour obtenir des renseignements sur un produit, pour signaler des dommages survenus durant le transport ou pour obtenir des pièces de rechange et des accessoires.

Les modèles de sècheuse Maytag utilisant un courant alternatif de 60 Hz ne sont pas conçus pour fonctionner avec un courant alternatif de 50 Hz et il est déconseillé de les convertir pour utiliser un tel courant. Pour obtenir de plus amples renseignements sur les produits alimentés par un courant 50 Hz, communiquez avec Maytag International. Les exigences relatives à l'alimentation électrique sont indiquées sur l'étiquette apposée à l'arrière de la porte de la sècheuse.

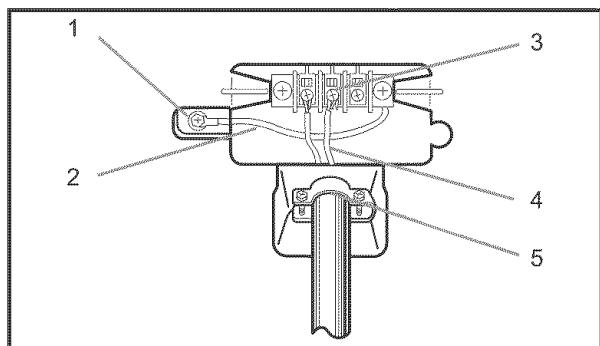
MODÈLES ÉLECTRIQUES DESTINÉS À L'EXPORTATION

Certains modèles électriques destinés à l'exportation sont conçus pour une tension secteur de 230/240 V, 50 Hz, et d'autres pour une tension secteur de 220 V, 60 Hz. Une alimentation secteur homologuée à deux conducteurs avec fusible ou disjoncteur de 30 A est requise. La sècheuse doit être mise à la terre avec un conducteur de mise à la terre.

IMPORTANT: Lorsque les codes locaux le permettent, il est possible de brancher la sècheuse électrique à l'aide d'un cordon d'alimentation. Le cordon d'alimentation doit alors être désigné pour utilisation avec des sècheuses à vêtement et être homologué pour une tension minimale de 240 V et un courant minimal de 30 A. L'extrémité du cordon doit comporter des bornes en boucle fermée, des cosses à fourche à extrémités ouvertes orientées vers le haut ou des fils étamés. Ne réutilisez pas le cordon d'alimentation électrique d'une vieille sècheuse. Le câblage électrique du cordon d'alimentation doit être fixé au châssis de la sècheuse au moyen d'un serre-câble approprié homologué.

CONNEXIONS À UN CIRCUIT À DEUX CONDUCTEURS

1. Dévissez la vis centrale de la plaque à bornes.
2. Connectez le conducteur neutre (blanc ou fil central) du cordon d'alimentation à la borne de raccordement centrale de couleur argent de la plaque à bornes. Serrez la vis.
3. Connectez l'autre conducteur à la vis extérieure de la plaque à bornes. Serrez la vis.
4. Serrez les vis du serre-câble.
5. Introduisez la patte du couvercle de la plaque à bornes dans la fente du panneau arrière de la sècheuse. Fixez le couvercle à l'aide de la vis de retenue.



1. Cosse de mise à la terre externe
2. Conducteur de mise à la terre du neutre (vert/jaune)
3. Vis centrale de couleur argent de la plaque à bornes
4. Conducteur neutre (blanc ou fil central)
5. Serre-câble homologué UL de 1,9 cm (3/4 po)
6. Conducteur neutre (blanc ou fil central)

AVANT D'UTILISER OU DE METTRE À L'ESSAI LA SÈCHEUSE, assurez-vous que la machine est adéquatement mise à la terre.

MODÈLES À GAZ DESTINÉS À L'EXPORTATION

Certains modèles à gaz destinés à l'exportation sont conçus pour une alimentation secteur de 230/240 V, 50 Hz, et d'autres pour une alimentation secteur de 220 V, 60 Hz, pourvue d'un fusible ou d'un disjoncteur de 15 A. Ils sont conçus pour être alimentés au gaz naturel, dont le pouvoir calorifique est supérieur d'environ 1 025 BTU par pied cube. La conversion au gaz de pétrole liquéfié, au pouvoir calorifique supérieur, doit être exécutée par un technicien qualifié. Une trousse de conversion 33002927 du gaz naturel au gaz de pétrole liquéfié, 50 Hz, est disponible.

Inversion de la porte

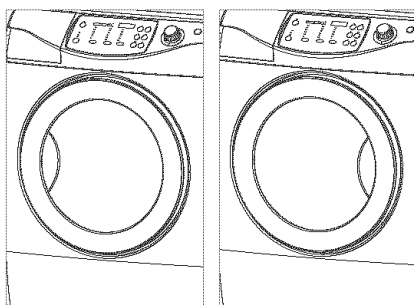
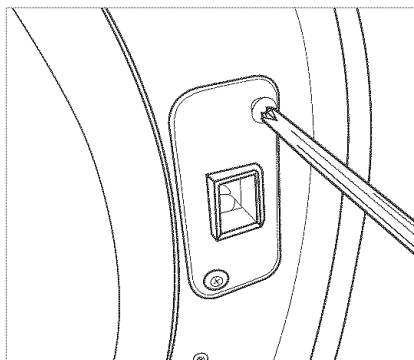
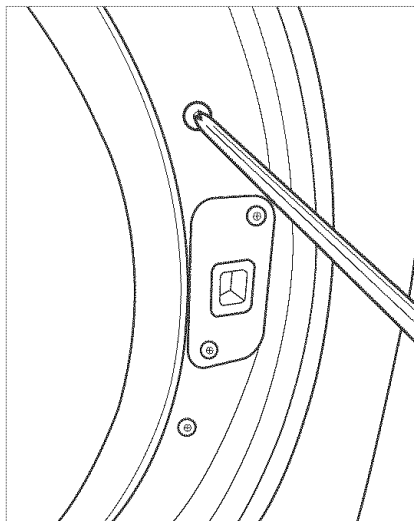
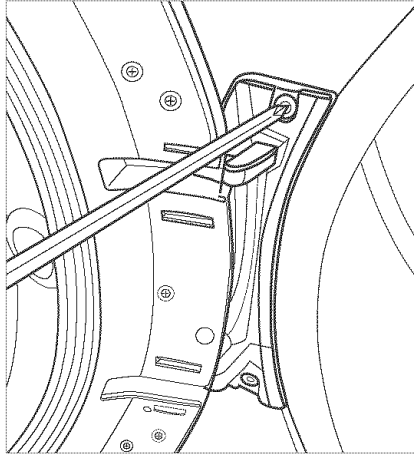
1. Débranchez l'alimentation électrique de l'appareil.

2. Déposez les deux vis de la charnière.

3. Soulevez la porte et retirez-la de la sécheuse.

4. Déposez les deux vis du côté opposé de la charnière.

5. Déposez les deux vis du levier de retenue.

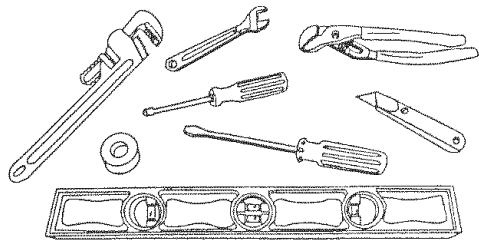


6. Placez la porte du côté opposé et fixez-la à la sécheuse.

7. Reposez le levier de retenue.

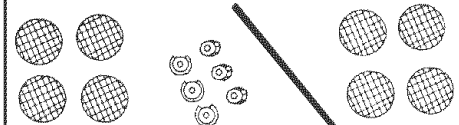
8. Posez les deux vis restantes dans les orifices correspondants.

Herramientas necesarias para la instalación



- Cinta de Teflon o sellante de juntas de tubería (sólo para secadoras de gas)
- Cuchillo para cortar
- Llave para la tubería (sólo para secadoras de gas)
- Llave de tuercas
- Nivel
- Destornillador (estándar)
- Cinta aislante
- Llave ajustable

ELEMENTOS PROPORCIONADOS



Sólo para secadora eléctrica

Sólo para secadora de gas

La instalación correcta es responsabilidad del propietario.

SIN EMBARGO, LAS VISITAS DE SERVICIO TÉCNICO REALIZADAS COMO RESULTADO DE LA CONFIGURACIÓN, AJUSTES Y CONEXIONES INCORRECTAS SON RESPONSABILIDAD DEL INSTALADOR.

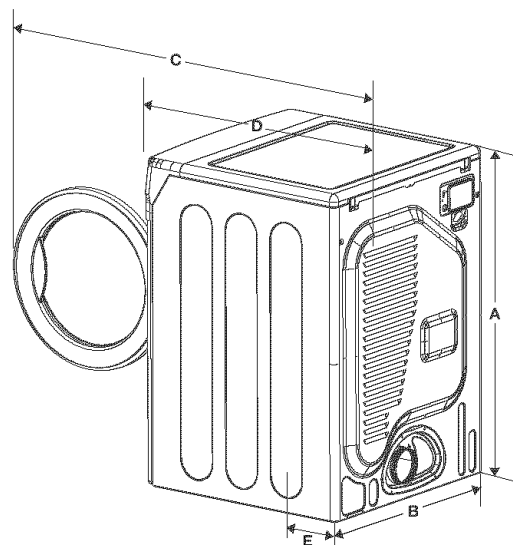
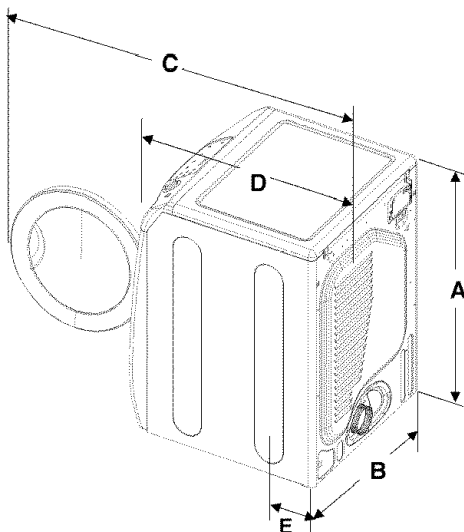
Asegúrese de que cuenta con todos los elementos necesarios para realizar una instalación correcta.

1. Se necesita una TOMA DE ENERGÍA ELÉCTRICA CON CONEXIÓN A TIERRA Consulte la sección Requisitos del sistema de energía eléctrica.
2. CABLE DE ALIMENTACIÓN para secadoras eléctricas (excepto en Canadá).
3. Las CONDUCCIONES DE GAS (si es una secadora de gas) deben cumplir las normas nacionales y locales.
4. El SISTEMA DE ESCAPE: debe ser un conducto de escape de metal rígido o un conducto de escape de metal flexible. Consulte la sección Requisitos de escape.

DIMENSIONES DEL GABINETE

| 9700 series | PULGADAS (CM) |
|---|-----------------|
| A. Altura | 38" (96.5) |
| B. Anchura | 27" (68.6) |
| C. Profundidad con la puerta de la secadora abierta 90° | 49-3/8" (125.4) |
| D. Profundidad | 30-3/8" (77.2) |
| E. Ubicación del orificio de ventilación inferior: desde la parte posterior hasta el centro del orificio. | 7-1/2" (19) |
| Orificio de ventilación lateral: desde la parte posterior hasta el centro del orificio | 8-1/2" (21.6) |

| 6700 series | PULGADAS (CM) |
|---|------------------|
| A. Altura | 38" (96.5) |
| B. Anchura | 27" (68.6) |
| C. Profundidad con la puerta de la secadora abierta 90° | 46-7/16" (123.0) |
| D. Profundidad | 28" (71.0) |
| E. Ubicación del orificio de ventilación inferior: desde la parte posterior hasta el centro del orificio. | 7-1/2" (19) |
| Orificio de ventilación lateral: desde la parte posterior hasta el centro del orificio | 8-1/2" (21.6) |



Nota:

La altura de la secadora desde la parte superior hasta el piso es de 84,5 cm. Esto incluye la pata niveladora atornillada al máximo. El cliente puede desatornillarla unos 2,18 cm más, para lograr una altura total de 86,68 cm.

IMPORTANTE PARA EL INSTALADOR

Lea cuidadosamente las instrucciones antes de comenzar la instalación de la secadora. Estas instrucciones deben conservarse para consultas futuras.

RETIRE LA PUERTA DE TODOS LOS ARTEFACTOS ELÉCTRICOS DESCARTADOS COMO LAS SECADORAS, PARA EVITAR QUE LOS NIÑOS PUEDAN SOFOCARSE.

CONSIDERACIONES DE UBICACIÓN

La secadora debe ubicarse de tal forma que tenga un espacio adecuado en la parte delantera para permitir la carga de la ropa y un espacio posterior suficiente para el sistema de escape

Esta secadora se ha preparado en la fábrica con escape trasero. Para que el escape se realice desde la parte inferior o desde el lateral izquierdo, utilice el juego de accesorios de escape (consulte la sección Accesorios). Las instrucciones están incluidas en el juego de accesorios.

Es importante asegurarse de que la habitación tenga una ventilación adecuada. El área donde se ubica la secadora no debe obstruir el flujo del aire de combustión o de ventilación.

En las secadoras de gas, es importante mantener el espacio libre indicado en la placa de datos para asegurar el aire de combustión adecuado si queremos que la secadora funcione correctamente.

NO INSTALE LA SECADORA EN UN LUGAR DONDE ESTÉ EXPUESTA AL AGUA Y/O A LAS INCLEMENCIAS CLIMÁTICAS. EL ÁREA DONDE SE INSTALA LA SECADORA DEBE MANTENERSE LIBRE Y ALEJADA DE MATERIALES COMBUSTIBLES, GASOLINA Y OTROS VAPORES O LÍQUIDOS INFLAMABLES. LAS SECADORAS PRODUCEN PELUSAS COMBUSTIBLES. EL ÁREA ALREDEDOR DE LA SECADORA DEBE ESTAR LIBRE DE PELUSAS.

INSTALACIÓN EN UN ARMARIO O EN UN HUECO



- No se debe instalar ningún artefacto eléctrico en un armario en donde se haya instalado otro artefacto que queme combustible.
- **ADVERTENCIA: Para reducir el riesgo de incendio, esta secadora DEBE TENER UN ESCAPE HACIA EL EXTERIOR.** Consulte la sección **INFORMACIÓN SOBRE EL ESCAPE.**

- La distancia mínima entre el gabinete de la secadora y las paredes adyacentes u otras superficies debe ser de 2,54 cm en la parte delantera, 43 cm por la parte superior, 0 en ambos laterales y 6 cm en la parte posterior.
- La parte frontal del armario debe tener dos aberturas de ventilación sin obstruir que, combinadas, alcancen una superficie de 183 cm² localizadas como mínimo a 7,6 cm de las partes superior e inferior.

Una puerta con rejillas con una abertura de aire equivalente es aceptable.

INSTALACIÓN EN UNA CASA RODANTE

La instalación de la secadora en casas rodantes debe cumplir con la Norma de construcción y seguridad de casas fabricadas (Manufactured Home Construction and Safety Standard) Título 24 CFR, Parte 32-80 (antes conocida como la Norma federal de construcción y seguridad de casas rodantes (Federal standard for Mobile Home Construction and Safety), Título 24, HUD (Parte 280), 1975) para los Estados Unidos), o las Normas CSA Z240 (para Canadá). Al instalar una secadora en una casa rodante, deben tomarse medidas para anclar la secadora al piso. Se suministra un juego de soportes de anclaje con las instrucciones (consulte la sección Accesorios). Debe ubicarse en un área con aire de ventilación adecuado. Se necesita una abertura mínima de 183 cm² sin obstrucciones. Todas las instalaciones en casas rodantes deben tener escape hacia el exterior, con la terminación del conducto de escape asegurada firmemente a la estructura de la casa rodante con materiales no combustibles. El conducto de escape no debe terminar debajo de la casa rodante. Consulte la sección de escape para obtener más información.

ESCAPE

El escape de la secadora hacia el exterior impide que se acumulen grandes cantidades de pelusa y humedad en la habitación.

En los Estados Unidos:

- Todas las secadoras de gas deben tener un escape hacia el exterior.
- Las secadoras eléctricas ubicadas en un área cerrada como un dormitorio, el baño o un armario deben tener un escape hacia el exterior.
- Las secadoras eléctricas que no estén ubicadas en un área cerrada pueden tener un escape hacia el interior (consulte la sección sobre instalaciones sin escape).

En Canadá:

- Todas las secadoras deben tener un escape hacia el exterior.

Fuera de los Estados Unidos y Canadá:

- Consulte las normas locales.





ADVERTENCIA – Un conducto flexible de plástico o no metálico representa un peligro potencial de incendio.

NUNCA UTILICE CONDUCTOS FLEXIBLES PLÁSTICOS O NO METÁLICOS.

Si el conducto actual es de plástico, no es metálico o es combustible, reemplácelo por uno de metal. Utilice solamente un conducto metálico no combustible para asegurar la contención del aire de escape, calor y pelusa.

REQUISITOS DEL CONDUCTO

- Utilice un conducto rígido de aluminio o uno de acero galvanizado rígido con un diámetro mínimo de 10,2 cm.
- No utilice un conducto más pequeño.
- El uso de conductos de más de 10,2 cm de diámetro puede causar una mayor acumulación de pelusa. La pelusa acumulada debe limpiarse con frecuencia.
- Si se debe utilizar un conducto de metal flexible, utilice el tipo con paredes de placa metálica rígida. No utilice un conducto flexible con paredes de aluminio delgado. Si se dobla un conducto metálico flexible en un ángulo demasiado agudo se puede causar un bloqueo grave.
- Nunca instale ningún tipo de conducto flexible en paredes, cielorrasos u otros espacios cerrados.
- Mantenga los conductos de escape tan cortos y rectos como sea posible.
- Asegure las juntas con cinta aislante. No utilice tornillos.
- NO DIRIJA EL ESCAPE DE LA SECADORA A UNA PARED, CIELORRASO, CONDUCTO O ESPACIO CERRADO DE UN EDIFICIO, VÁLVULA DE GAS U OTRO CONDUCTO COMÚN O CHIMENEA. ESTO PODRÍA CREAR UN PELIGRO DE INCENDIO A CAUSA DE LA PELUSA EXPULSADA POR LA SECADORA.
- Un conducto de plástico flexible puede enroscarse, aflojarse, perforarse, reducir el flujo de aire, extender los tiempos de secado y afectar el funcionamiento de la secadora.

| SECADORAS ELÉCTRICAS Y DEL GAS | | | | |
|---|---------|----------------------|---|----------------------|
| Tipo de capucha de protección climática | | | | |
| Recomendado | | | Sólo para instalaciones de tramo corto | |
| 10,16 cm  | | | 6,35 cm  | |
| Nº de codos de 90° | Rígidos | Metálicos flexibles* | Rígidos | Metálicos flexibles* |
| 0 | 24.4 m | 12.4 m | 22.6 m | 10.1 m |
| 1 | 20.7 m | 11.2 m | 18.9 m | 8.8 m |
| 2 | 7.4 m | 10.1 m | 15.5 m | 7.6 m |
| 3 | 14.3m | 9.0 m | 12.5 m | 6.5 m |

* No utilice un conducto no metálico flexible.

- Los sistemas de escape de una longitud mayor a la recomendada pueden extender los tiempos de secado, afectar el funcionamiento de la máquina y acumular pelusa.
- El conducto de escape debe terminar con una capucha de escape con un regulador basculante para impedir la entrada de corrientes de aire y animales silvestres. Nunca utilice una capucha de escape con un regulador magnético.
- Debe haber al menos 30,5 cm de espacio entre la parte inferior de la capucha y el piso u otra obstrucción. La abertura de la capucha debería estar orientada hacia abajo. Nunca instale un filtro sobre la salida de escape.
- Cuando sea posible, no dirija el escape de la secadora directamente a un hueco de ventilación con ventanas para evitar la acumulación de pelusa. No dirija el escape por debajo de una casa o porche.
- Si los conductos de escape deben atravesar un área no calefaccionada, el conducto debe aislarse e inclinarse ligeramente hacia abajo y hacia la capucha de escape para reducir la condensación y la acumulación de pelusa.
- Inspeccione y limpie el interior o el sistema de escape al menos una vez al año. Desconecte el servicio eléctrico antes de limpiar la unidad.
- Inspeccione la unidad con frecuencia para asegurarse de que el regulador de la capucha de escape se abra y se cierre libremente.

Si se instala una secadora nueva en un sistema de escape existente, debe asegurarse de que:

- El sistema de escape cumpla todas las normas locales, estatales y nacionales.
- No se utilice un conducto plástico flexible desgastado.
- Se inspeccione y limpie toda la acumulación de pelusa del interior del conducto existente.
- El conducto no esté enroscado o aplastado.
- El regulador de la capucha de escape se abra y se cierre libremente.

La presión estática en cualquier sistema de escape no debe exceder 2,1 cm de columna de agua, o ser menor que 0.

Esto puede medirse con la secadora funcionando, utilizando un manómetro en el punto en el que el conducto de escape se conecta con la secadora. Debe utilizarse un ajuste sin calor. La secadora debe estar vacía y el filtro de pelusa limpio.

INSTALACIONES SIN ESCAPE

- Si la secadora eléctrica no tiene un escape hacia el exterior, el escape no debe terminar directamente detrás de la secadora.
- Utilice un juego de válvulas de ventilación rectangulares con una bolsa para pelusa Dacron (consulte la sección Accesorios). Mantenga un espacio de 15,2 cm entre la parte posterior de la secadora y la pared. Aunque el filtro y la bolsa de pelusa retienen la mayor parte de la pelusa, una cierta cantidad será expulsada al área de lavandería.
- **ADVERTENCIA: SI LA SECADORA NO TIENE UN ESCAPE HACIA EL EXTERIOR, UNA CIERTA CANTIDAD DE PELUSA FINA SERÁ EXPULSADA HACIA EL ÁREA DE LAVANDERÍA. UNA ACUMULACIÓN DE POLVO O PELUSA EN CUALQUIER PARTE DEL HOGAR PUEDE OCASIONAR UN PELIGRO DE INCENDIO. SE DEBE LIMPIAR CON FRECUENCIA CUALQUIER ACUMULACIÓN DE PELUSA.**

REQUISITOS DEL GAS

Utilice sólo gas natural o LP (propano líquido).

LA INSTALACIÓN DEBE CUMPLIR LAS NORMAS LOCALES O, SI NO HAY ESTABLECIDAS NORMAS LOCALES, CON EL CÓDIGO NACIONAL ANSI/Z223.1 PARA EL GAS COMBUSTIBLE, ÚLTIMA VERSIÓN (PARA EE.UU.) O CON LAS NORMAS DE INSTALACIÓN CAN/CGA-B149 (PARA CANADÁ).

Las secadoras de gas están equipadas con quemador que funciona con gas NATURAL. Si la secadora ha de utilizar gas LP (propano líquido), se ha de adaptar para que funcione de manera adecuada y segura; esta conversión la debe realizar un técnico de servicio cualificado. Los distribuidores Maytag pueden proporcionar los juegos de conversión de gas NATURAL a LP o viceversa (consulte Accesorios). Si se requieren otras conversiones, consulte con los servicios locales del gas para obtener la información necesaria.

Se recomienda una conducción de gas de 1,27 cm, que se debe reducir para conectar con la conducción de gas (1 cm) de la secadora.

El código nacional del gas combustible requiere que, como mínimo a 183 cm de la secadora, haya accesible una válvula manual de desconexión del gas aprobada.

Las secadoras de gas instaladas en los garajes residenciales deben instalarse elevadas 46 cm del suelo.

Además, se ha de instalar un tapón NPT de 3 cm, donde sea posible conectar un manómetro, inmediatamente después de la conexión de entrada del gas de la secadora.

La secadora se debe poder desconectar del sistema de conducción del suministro del gas durante la verificación de la presión del sistema.

NO vuelva a utilizar una conducción de gas de metal flexible antigua. La conducción de gas flexible ha de estar certificada por la American Gas Association (CGA en Canada). **NOTA:** Todos los sellantes de juntas de tubería que se usen deben ser resistentes a la acción de cualquier gas de petróleo licuado.

NOTA: Si lo cree necesario, solicite una inspección de la instalación del aparato a la empresa proveedora del gas.

ENCENDIDO DEL GAS

Esta secadora está provista de un sistema de encendido automático del quemador. **No dispone de un piloto de encendido continuo.**

INSTRUCCIONES DE INSTALACIÓN DE LA COMMONWEALTH OF MASSACHUSETTS

Sólo un fontanero o un instalador de gas acreditado puede instalar la secadora de gas.

En la conducción de suministro de gas de la secadora se debe instalar una válvula "T" manual de gas.

Si se usa una conexión de gas flexible en la instalación de la secadora, la conexión debe tener una longitud máxima de 9 metros.



ADVERTENCIA

En el sistema se pueden producir fugas de gas y dar lugar a situaciones peligrosas. No se confíe de que pueda detectar las fugas de gas siempre por el olor; Las compañías suministradoras de gas recomiendan instalar detectores de gas UL aprobados. Instale y use estos detectores siguiendo las instrucciones del fabricante.

REQUISITOS ELÉCTRICOS

NOTA: El diagrama del cableado se ubica debajo de la tapa superior.

Modelos de exportación (a excepción de EE.UU. y Canadá): Consulte las instrucciones adicionales para los modelos de exportación en la parte posterior de esta hoja.



- La conexión incorrecta del conductor de puesta a tierra de equipos puede causar riesgos de descarga eléctrica. Si tiene dudas acerca de si la conexión de puesta a tierra de la unidad es correcta, solicite asistencia a un electricista o a un técnico de mantenimiento calificado. No modifique el enchufe que se suministra con la unidad; si no encaja en la toma de corriente, solicite a un electricista cualificado que instale la toma de corriente apropiada.
- Para evitar riesgos innecesarios de incendio, descarga eléctrica o lesiones físicas, todo el cableado y puesta a tierra debe realizarse de acuerdo con las normas locales, o en ausencia de éstas, con el Código Eléctrico Nacional (National Electrical Code), ANSI/NFPA Nro. 70, última revisión (para los Estados Unidos) o el Código Eléctrico Canadiense (Canadian Electrical Code) CSA C22.1 - Últimas revisiones y normas y ordenanzas locales. Es responsabilidad personal y obligación del propietario conectar la unidad al suministro de energía eléctrica adecuado.
- Todas las instalaciones de gas deben realizarse de acuerdo con el Código Nacional de Combustibles (Fuel Code) ANSI/Z2231 - Última revisión (para los Estados Unidos) o CAN/CGA - Códigos de Instalación B149 - Última revisión (para Canadá) y normas y ordenanzas locales.

PUESTA A TIERRA

La secadora debe estar conectada a tierra. En caso de mal funcionamiento o de averías, la puesta a tierra reduce el riesgo de descarga eléctrica, al brindar una ruta de menor resistencia para la corriente eléctrica.

MODELOS DE GAS

Este aparato está equipado con un cable que tiene un conductor y un enchufe con toma de tierra. El enchufe se debe conectar en una toma de corriente correctamente instalada y conectada a tierra de acuerdo con las normas y ordenanzas locales.

No modifique el enchufe que se suministra con la unidad; si no encaja en la toma de corriente, solicite a un electricista cualificado que instale la toma de corriente apropiada.

Si las normas locales requieren una puesta tierra independiente, está disponible un juego de puesta a tierra (Referencia 12001875), que contiene el cable de puesta a tierra, una abrazadera, un tornillo de puesta a tierra y la arandela. Conecte el cable de puesta a tierra a la parte posterior de la unidad con el tornillo de puesta a tierra del gabinete y la arandela. Asegure el otro extremo a una conexión de puesta a tierra externa disponible. El cable se debe asegurar con una abrazadera a una tubería metálica de agua FRÍA conectada a tierra.

NUNCA CONECTE UN CABLE DE PUESTA A TIERRA A LAS CAÑERÍAS PLÁSTICAS, LÍNEAS DE GAS O TUBERÍAS DE AGUA CALIENTE.

MODELOS ELÉCTRICOS

Este aparato está equipado con un cable que tiene un conductor y un enchufe con toma de tierra. El enchufe se debe conectar en una toma de corriente correctamente instalada y conectada a tierra de acuerdo con las normas y ordenanzas locales.

Si no se utiliza un cable de alimentación y la secadora eléctrica debe estar conectada al suministro de energía eléctrica en forma permanente, la secadora debe conectarse a un sistema de conexión metálica permanente puesto a tierra; o debe conectarse un conductor de puesta a tierra de equipos con los conductores de los circuitos y conectarse al terminal de puesta a tierra de equipos.

CONEXIONES ELÉCTRICAS

ANTES DE PONER EN FUNCIONAMIENTO O PROBAR LA UNIDAD, siga todas las instrucciones de puesta a tierra que se indican en la sección Puesta a tierra.

Se recomienda un circuito de bifurcación individual (o separado) que sirva sólo para esta unidad. **NO UTILICE UN CABLE ALARGADOR.**

MODELOS DE GAS - EE.UU. y Canadá

Se necesita un suministro de energía eléctrica aprobado de CA de 120 voltios, 60 Hz, de dos cables con un fusible o disyuntor de 15 amperios.

MODELOS ELÉCTRICOS - Sólo para EE.UU.

La mayoría de las secadoras estadounidenses, requieren un suministro de energía eléctrica de CA aprobado de 120/240 voltios, 60 Hz. Algunas secadoras requieren un suministro de energía eléctrica aprobado de 120/208 voltios, 60 Hz. < Los requisitos del servicio eléctrico pueden encontrarse en la etiqueta de identificación ubicada en la parte delantera, detrás de la puerta. Se requiere un fusible o un disyuntor de 30 amperios en ambos lados de la línea.

- Si se utiliza un cable de alimentación, debe conectarse a un zócalo de 30 amperios.
- Los modelos estadounidenses de secadoras eléctricas NO incluyen el cable de alimentación.

IMPORTANTE: Cuando las normas locales lo permitan, el suministro eléctrico de la secadora debe conectarse por medio de un nuevo cable de alimentación, marcado para uso con secadoras, incluido en la lista de UL, con un mínimo de 120/240 voltios, 30 amperios, con tres conductores de cobre No. 10 terminados con terminales de bucle cerrado, espigas planas con extremos abiertos o con cables estañados.

- No utilice un cable de alimentación de una secadora vieja. El cableado del suministro eléctrico debe conservarse en el gabinete de la secadora con un relevador de tensión aprobado por UL.
- Si la secadora debe instalarse en una casa rodante o en un área en la que las normas locales no permiten la puesta a tierra a través de terminales neutrales, sólo puede usarse un cable de alimentación de cuatro conductores, con la capacidad y las terminaciones especificadas anteriormente. (Utilice un enchufe de 4 espigas en un zócalo de 4 cables, tipo 14-30R NEMA.)

MODELOS ELÉCTRICOS - Sólo para Canadá

- Se necesita un suministro eléctrico de CA aprobado de 120/240 voltios, 60 Hz, con un fusible o disyuntor de 30 amperios en ambos lados de la línea.
- Todos los modelos canadienses se entregan con el cable de alimentación conectado. El cable de alimentación debe conectarse a un zócalo de 30 amperios.

NOTA: En Canadá, no se permite convertir una secadora a 208 voltios.

PIEZAS DE REPUESTO Y ACCESORIOS

Si su secadora necesita piezas de repuesto o accesorios, comuníquese con el proveedor a quien adquirió su secadora o con el Servicio de atención al cliente de Maytag, Box 2370, Cleveland, Tennessee 37320-2370, teléfono 423-472-3333, para obtener información acerca del Distribuidor autorizado de repuestos Maytag más cercano.

INSTALACIÓN

Las piezas e instrucciones se encuentran dentro del tambor de la secadora. Para instalar...

1. Traslade la secadora al lugar adecuado para la instalación. En el caso de instalaciones contiguas, instale la secadora antes que la lavadora, para permitir acceso a las conexiones de gas, eléctricas y de escape. Coloque dos de los postes de las esquinas de cartón en el piso. Incline la secadora hacia delante para quede apoyada en ambos postes.

2. Vuelva a colocar la secadora en posición vertical.

3. Revise la sección de escape antes de instalar el sistema de escape. Instale el conducto de la secadora en la capucha de escape. El extremo ondulado del conducto debe estar orientado hacia el lado opuesto de la secadora. NO utilice tornillos de metal al instalar el conducto. Debe colocar cinta aislante en las juntas. **Nunca utilice material de escape de plástico flexible.**

Recomendaciones para instalaciones con poco espacio: Instale una sección del sistema de escape en la secadora antes de trasladarla a ese lugar. Utilice cinta aislante para asegurar esta sección a la secadora pero no cubra las rejillas del gabinete de la secadora.

4. *Consulte la sección de requisitos eléctricos.*

ANTES DE PONER EN FUNCIONAMIENTO O PROBAR LA UNIDAD, siga todas las instrucciones de puesta a tierra de la sección Puesta a tierra.

MODELOS ESTADOUNIDENSES:

IMPORTANTE: todos los modelos estadounidenses se fabrican para una **CONEXION DE 3 CABLES**. El gabinete de la secadora está puesto a tierra en el conductor neutral en el bloque de terminales.

Se necesita una **CONEXION DE 4 CABLES** para construcciones nuevas o remodeladas, casas rodantes o cuando las normas locales no permiten la puesta a tierra a través del conductor neutral. Si se utiliza el sistema de 4 cables, el gabinete de la secadora no puede ponerse a tierra en el conductor neutral del bloque de terminales. Consulte las siguientes instrucciones para **CONEXIONES DE SISTEMAS DE 3 Y 4 CABLES**.

Retire la tapa del bloque de terminales.

Inserte el cable de alimentación con un relevador de tensión aprobado por U.L., a través del orificio en el gabinete cercano al bloque de terminales.

NOTA: Debe utilizarse un relevador de tensión.

No afloje las tuercas ya instaladas en el bloque de terminales. Asegúrese de que estén ajustadas. Utilice una llave de cubo largo de 1cm.

5. *Consulte la sección de requisitos del gas.*

Retire el tapón protector de rosca de la tubería.

Aplice el sellante de juntas de tubería o enrolle una cinta de Teflon (1 1/2 vueltas) en todas las conexiones roscadas.

NOTA: Todos los sellantes de juntas de tubería que se usen deben ser resistentes a la acción de cualquier gas de petróleo licuado.

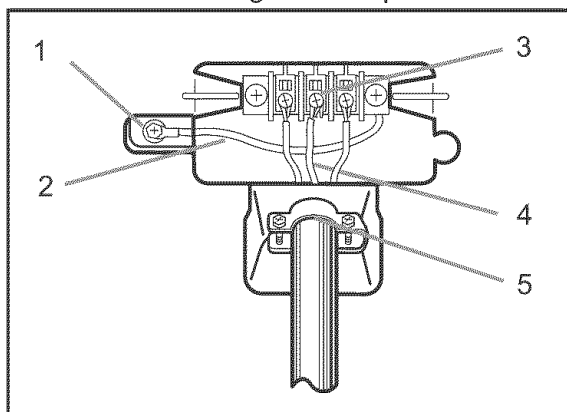
Conecte el suministro de gas a la secadora. Se requiere un ajuste adicional para conectar el final de rosca hembra de 1,9 cm del conector flexible en el final de rosca macho (1 cm) de la secadora.

Apriete firmemente los ajustes de las conducciones roscadas de gas.

Abra el suministro del gas. Compruebe las posibles fugas de las conexiones del gas con una solución espumosa. Si aparecen burbujas, apriete más fuerte las conexiones y vuelva a hacer la prueba. **NO use nunca una llama para buscar fugas de gas.**

CONEXIONES DEL SISTEMA DE 3 CABLES

1. Afloje o retire los tornillos del bloque del terminal central.
2. Conecte el cable neutro (cable blanco o central) del cable de alimentación al tornillo terminal plateado del bloque del terminal. Apriete el tornillo.
3. Conecte el resto de cables a los tornillos del bloque del terminal exterior. Apriete los tornillos.
4. Apriete los tornillos del relevador de tensión.
5. Inserte la pestaña de la tapa del bloque del terminal en la ranura del panel posterior de la secadora. Asegure la tapa con el tornillo de sujeción inferior.

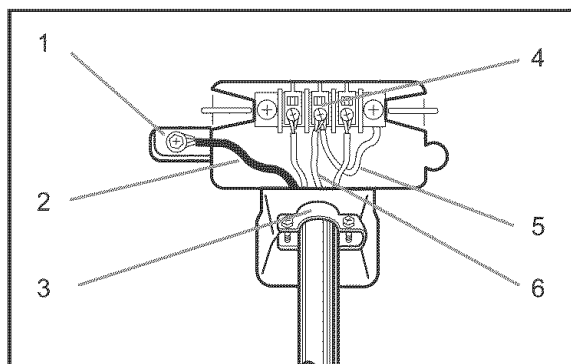


1. Conector de toma de tierra externo
2. Cable neutro de toma de tierra (verde/amarillo)
3. Tornillo plateado central del bloque del terminal
4. Cable neutro (cable blanco o central)
5. Relevador de tensión aprobado por UL de 1,9 cm

ADVERTENCIA: Si se convierte un sistema eléctrico de 4 cables a uno de 3, la conexión a tierra debe conectarse nuevamente al soporte del bloque de terminales para poner a tierra el gabinete de la secadora al conductor neutral.

CONEXIONES DEL SISTEMA DE 4 CABLES

1. Retire el tornillo del bloque del terminal central.
2. Conecte el cable de conexión a tierra (verde o pelado) del cable de alimentación al tornillo del conductor de toma de tierra externo.
3. Conecte el cable neutro (cable blanco o central) del cable de alimentación y el cable de conexión a tierra del aparato (verde con bandas amarillas) bajo el tornillo central del bloque del terminal.
4. Conecte el resto de cables a los tornillos del bloque del terminal exterior. Apriete los tornillos.
5. Apriete los tornillos del relevador de tensión.
6. Inserte la pestaña de la tapa del bloque del terminal en la ranura del panel posterior de la secadora. Asegure la tapa con el tornillo de sujeción inferior.



1. Conector de toma de tierra externo
2. Cable de cobre verde o pelado del cable de alimentación
3. Relevador de tensión aprobado por UL de 1,9 cm
4. Tornillo plateado central del bloque del terminal
5. Cable neutro de toma de tierra (verde/amarillo)
6. Cable neutro (cable blanco o central)

MODELOS DE EXPORTACIÓN

Consulte la última página de las instrucciones de instalación.

6. Con un nivel, revise la secadora y haga los ajustes necesarios para nivelar las patas.
7. En este momento, asegúrese de que todas las conexiones de gas (en los modelos de gas), de escape y eléctricas estén completas. Enchufe la secadora y revise su funcionamiento mediante el uso de la siguiente lista de verificación.
8. (SÓLO PARA MODELOS DE GAS)
Es posible que el quemador no se encienda inicialmente debido a la existencia de aire dentro de la conducción de gas. Si permite que la secadora funcione en ajuste con calor se purgará la conducción. Si el gas no se enciende en los próximos 5 minutos, apague la secadora y espere 5 minutos. Asegúrese que el suministro de gas llegue a la secadora. Para confirmar el encendido, compruebe que sale aire caliente por el sistema de escape.

LISTA DE VERIFICACIÓN FINAL DE LA INSTALACIÓN

- La secadora está enchufada a la toma de corriente y está conectada a tierra adecuadamente.
- El conducto de escape está conectado a la secadora y las juntas están encintadas.
- NO se utiliza un conducto de plástico flexible.
- Utilice material de ventilación de metal flexible o rígido.
- La secadora está nivelada con todas las patas firmemente apoyadas en el piso.
- Modelos de gas. Se ha abierto el gas y no hay fugas.
- Encienda la secadora para confirmar que funciona, calienta y se apaga.
- Demuestre el funcionamiento al cliente.

ACCESORIOS DE INSTALACIÓN EN EL HOGAR

- Capucha de ventilación - abertura de 10,16 cm - 059129
- Tubo de aluminio - 10,16 x 60,96 cm - 059130
- Codo de aluminio - 10,16 cm - 059131
- Placa de la ventana de aluminio - 38,10 x 50,80 cm - orificio de 10,16 cm - 059134
- Conducto de ventilación flexible de aluminio - diámetro de 10,16 cm - longitud de 81,28 cm se estira a 2,44 cm - 304353
- Abrazadera para conducto flexible de aluminio - 304630
- Juego de conducto de escape, para escape desde la base o lado izquierdo - 12002641
- Juego de ventilación rectangular - 059144
- Bolsa de pelusa Dacron - 311353
- Juego de conversión de gas NATURAL a LP - 306195
- Juego de conversión de LP a gas NATURAL - 306204
- Juego de soportes de anclaje- 12002643
- Juego de puesta a tierra - 12001875
- Cables de alimentación - 240 V, 30 A
 - 121,9 cm - 3 cables - 33001780
 - 152,4 cm - 3 cables - 33001822
 - 182,9 cm - 3 cables - 33001823
 - 304,8 cm - 3 cables - 33001838
 - 121,9 cm - 4 cables - 33001781
 - 152,4 cm - 4 cables - 33001824
 - 182,9 cm - 4 cables - 33001825
 - 304,8 cm - 4 cables - 33001838

INSTRUCCIONES ADICIONALES PARA MODELOS DE EXPORTACIÓN

(Fuera de EE.UU., MÉXICO o Canadá) Comuníquese con el proveedor que le vendió la secadora o: Maytag International, 1475 East Woodfield Road Schaumburg, Illinois 60173 Teléfono: 847-273-3100, para obtener información sobre el producto, daños sobre el transporte, piezas de repuesto y accesorios..

Los modelos de secadoras Maytag fabricados para funcionar con CA de 60 Hz no se han diseñado para un suministro eléctrico de CA de 50 Hz y no se recomienda convertir el producto de 60 a 50 Hz. Para obtener información adicional acerca de modelos de 50 Hz, comuníquese con Maytag International. Los requisitos de suministro eléctrico se encuentran en la etiqueta de identificación ubicada en la parte delantera de la secadora, detrás de la puerta.

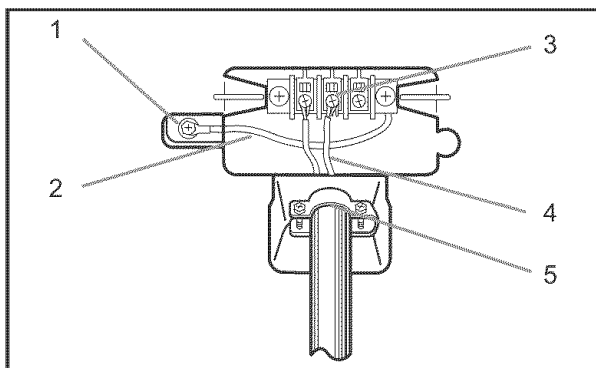
MODELOS ELÉCTRICOS DE EXPORTACIÓN

Algunos modelos eléctricos destinados a la exportación se fabrican para funcionar con un suministro eléctrico de 230/240 voltios, 50 Hz y otros con un suministro eléctrico de 220 voltios, 60 Hz. Se necesita un suministro eléctrico aprobado de dos cables con un fusible o disyuntor de 30 amperios. La secadora debe estar adecuadamente puesta a tierra con un cable de puesta a tierra.

IMPORTANTE: Cuando las normas locales lo permitan, el suministro eléctrico de la secadora debe conectarse con un nuevo cable de alimentación, marcado para uso con secadoras, aprobado según las normas correspondientes, con un mínimo de 240 voltios, 30 amperios, acabado con terminales de bucle cerrado, espigas planas con extremos abiertos o con cables estañados. No utilice un cable de alimentación de una secadora vieja. El cable de alimentación o el cableado del suministro eléctrico debe conservarse en el gabinete de la secadora con un relevador de tensión aprobado por las normas correspondientes.

CONEXIONES DEL SISTEMA DE 2 CABLES

1. Afloje o retire los tornillos del bloque del terminal central.
2. Conecte el cable neutro (cable blanco o central) del cable de alimentación al tornillo terminal plateado del bloque del terminal. Apriete el tornillo.
3. Conecte el resto de cables a los tornillos del bloque del terminal exterior. Apriete el tornillo.
4. Apriete los tornillos del relevador de tensión.
5. Inserte la pestaña de la tapa del bloque del terminal en la ranura del panel posterior de la secadora. Asegure la tapa con el tornillo inferior.



1. Conector de toma de tierra externo
2. Cable neutro de toma de tierra (verde/amarillo)
3. Tornillo plateado central del bloque del terminal
4. Cable neutro (cable blanco o central)
5. Relevador de tensión aprobado por UL de 1,9 cm
6. Cable neutro (cable blanco o central)

ANTES DE PONER EL FUNCIONAMIENTO O PROBAR LA UNIDAD, compruebe que el aparato esté correctamente conectado a tierra.

MODELOS DE GAS DE EXPORTACIÓN

Algunos modelos de gas destinados a la exportación se fabrican para funcionar con un suministro eléctrico de 230/240 voltios, 50 Hz y otros con un suministro eléctrico de 220 voltios, 60 Hz con un disyuntor o un fusible de 15 amperios. Los modelos de gas destinados a la exportación se han fabricado para usar con gas natural de un valor calórico de aproximadamente 1025 BTU por pie cúbico. La conversión a gas LP con un valor calórico mayor la deben realizar técnicos cualificados. Hay disponible un juego de conversión de gas natural 33002927 a gas LP, 50 Hz.

Inversión de la puerta

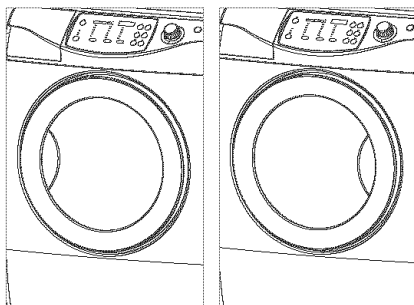
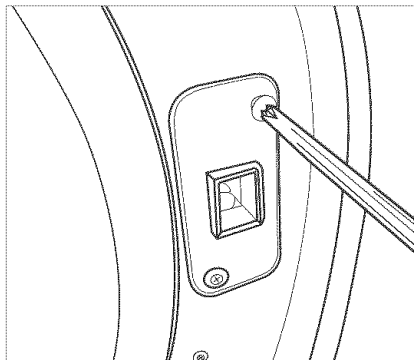
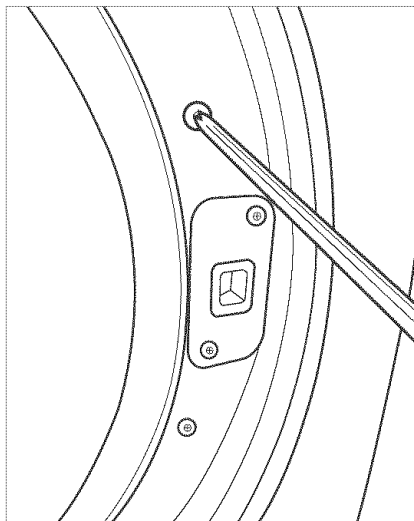
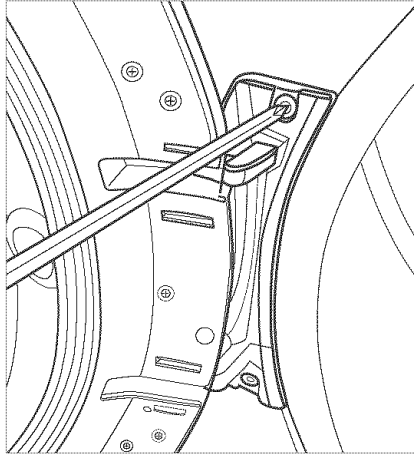
1. Desconecte la fuente de alimentación de la unidad.

2. Retire los dos tornillos de la bisagra de la puerta.

3. Levante la puerta y sepárela de la secadora.

4. Retire los 2 tornillos de la bisagra del lado opuesto de la puerta.

5. Retire los 2 tornillos del cierre de la puerta.



6. Monte la puerta en el lado opuesto de la secadora.

7. Vuelva a montar el cierre de la puerta.

8. Vuelva a montar los 2 tornillos en los orificios.