

Factory Parts Catalog

Product No.	EI27MO45GSA	EI30MO45GSA
Market	North America	North America
Color	black	black
Volts	120	120
Watts	1100	1100
Wiring Diagram	5995504536	5995504536
Owner's Guide	316488525	316488525
Installation Instructions	316488526	316488526



Electrolux Major Appliances
 North & Latin America
 P.O. BOX 212378
 AUGUSTA, GA 30917

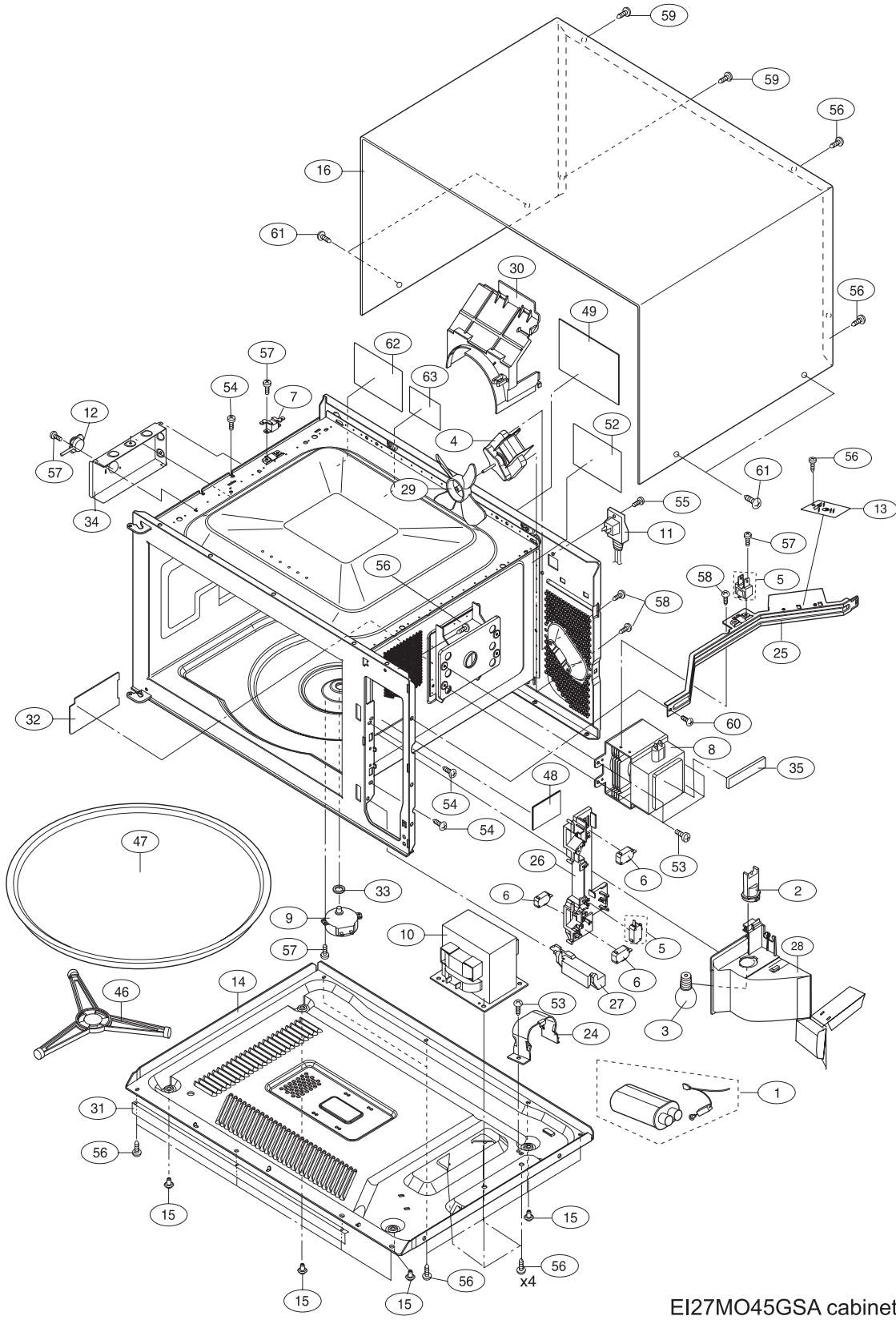
Publication No.
5995504536
 08/03/24
 (EN/SERVICE/KC)
 099

COUNTER-TOP MICROWAVE

Model No.
**EI27MO45G /
 EI30MO45G**

Copyright © 2008 Electrolux Home Products, Inc.
 All rights reserved.

OVEN, CABINET



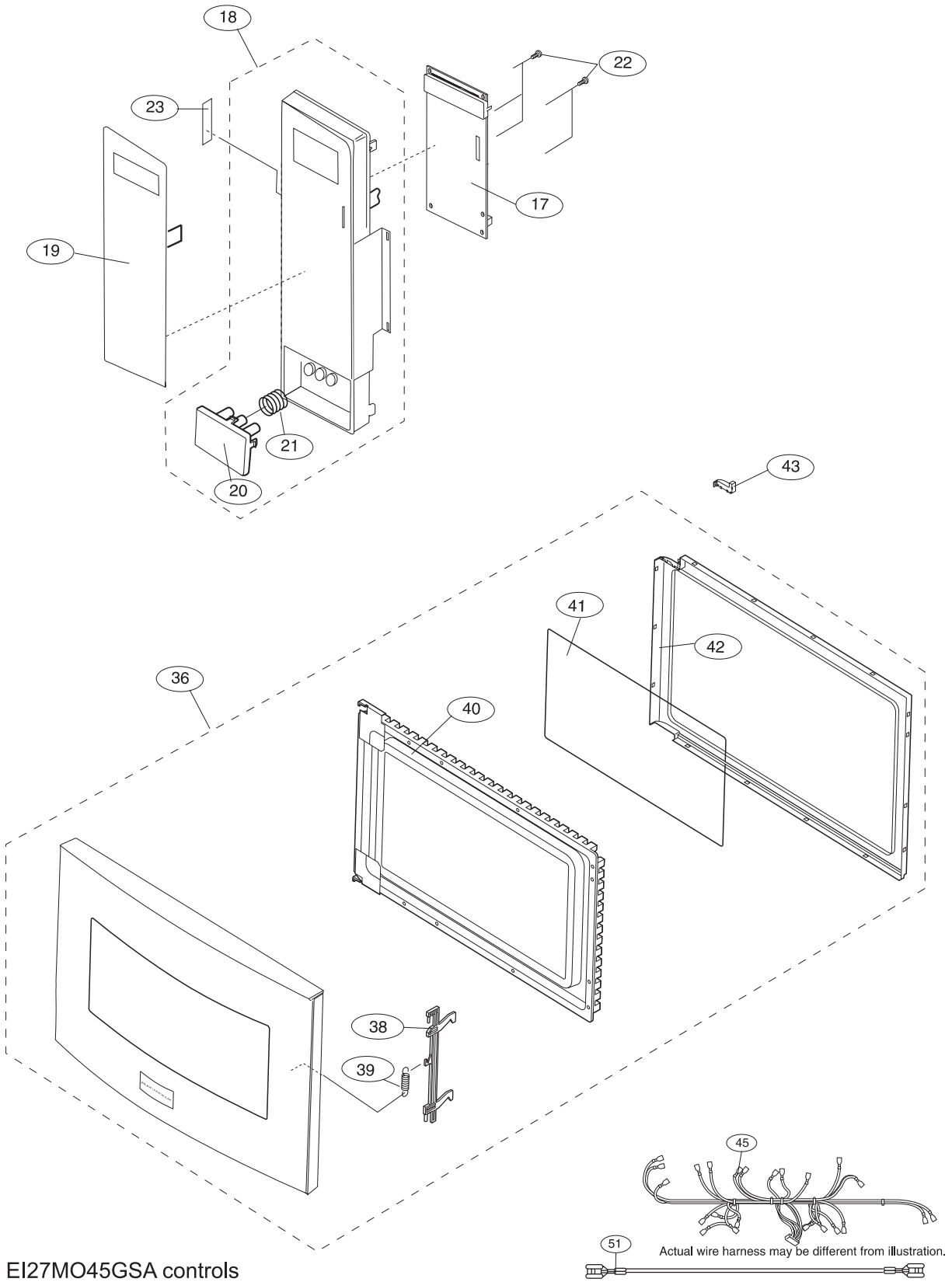
EI27MO45GSA cabinet

OVEN,CABINET

Model Index: A EI27MO45G (EI27MO45GSA)
B EI30MO45G (EI30MO45GSA)

POS. NO	PART NO.		DESCRIPTION
1 #	75304462258	A B	Capacitor/Rectifier Assy, HV
2 #	75303319561	A B	Receptacle, lamp socket, oven
3	75304464198	A B	Lamp, oven light
4 #	75304448490	A B	Motor, cooling fan
5 #	75304440027	A B	Switch Kit, monitor, with CT fuse
6 #	75304440026	A B	Switch, interlock, door sensor
7 #	75304440780	A B	Fuse, cavity temp, 20 Amp, 250 V
8 #	75304448837	A B	Magnetron
9 #	75304448832	A B	Motor, turntable
10 #	75304440876	A B	Transformer, power
11 #	75304440784	A B	Power Cord, electric
12 #	75304464897	A B	Sensor, humidity, cook control
13 #	75303322968	A B	Filter, noise, electronic
14	75304440814	A B	Base, unit chassis
15	75304440815	A B	Foot, cabinet support
16	75304440816	A B	Cabinet, outer casing, black
24	75304440838	A B	Retainer, capacitor strap
25	75304462313	A B	Bracket, chassis support
26	75304440840	A B	Latch Hook
27	75304464899	A B	Lever, door release
28	75304464197	A B	Duct, magnetron
29 #	75304440843	A B	Fan Blade, cooling fan
30	75304440844	A B	Duct, cooling fan
31	75304464900	A B	Filler Strip, base plate, bottom
32	75304462314	A B	Cover, waveguide
33	75304440288	A B	Bushing, motor shaft, turntable
34	75304440847	A B	Duct, AH sensor
35	75304441910	A B	Cushion, magnetron pad
46	75304440284	A B	Support Assy, turntable
47	75304440868	A B	Tray, turntable, glass
48	75304440334	A B	Label, Caution-monitor
49	75304440333	A B	Label, Caution-DHHS
52	75304451533	A B	Label, NHW caution
53	75303319636	A B	Screw
54	75303319641	A B	Screw
55	75304462315	A B	Screw, 4 mm x 12 mm, ground
56	75304451553	A B	Screw, 4 mm x 12 mm
57	75304453725	A B	Screw, 3mm x 8mm
58	75304450253	A B	Screw, 4 mm x 8 mm
59	75304440873	A B	Screw, Torx, T20H/GTXH20-100
60	75304462316	A B	Screw
61	75304452261	A B	Screw, black, outer casing
62	75304453941	A B	Label, caution, UL screw
63	75304451535	A B	Label, height caution

CONTROL PANEL, DOOR, MISC.



EI27MO45GSA controls

CONTROL PANEL,DOOR,MISC.

Model Index: A EI27MO45G (EI27MO45GSA)
B EI30MO45G (EI30MO45GSA)

POS. NO	PART NO.		DESCRIPTION
17 #	75304464192	A B	Control Board, printed circuit
18 #	75304464194	A B	Control Panel Assy, frame, black
19 #	75304464898	A B	Touch Control, key pad, black
20	75304464196	A B	Push Button, door, black
21	75303319583	A B	Spring, door button
22	75304456930	A B	Screw, 3 mm x 10 mm
23	75304440346	A B	Label, User Caution
36	75304464191	A B	Door Assy, complete, black
38	75304440856	A B	Latch, door
39	75304440316	A B	Spring, door latch
40	75304440857	A B	Panel, inner door, black
41	75304440860	A B	Seal, door, film
42	75304440861	A B	Choke Cover, inner door
43	75304442145	A B	Door Stop
45 #	75304464195	A B	Wiring Harness, main
51 #	75304440870	A B	Wire, high voltage-A

WIRING SCHEMATIC

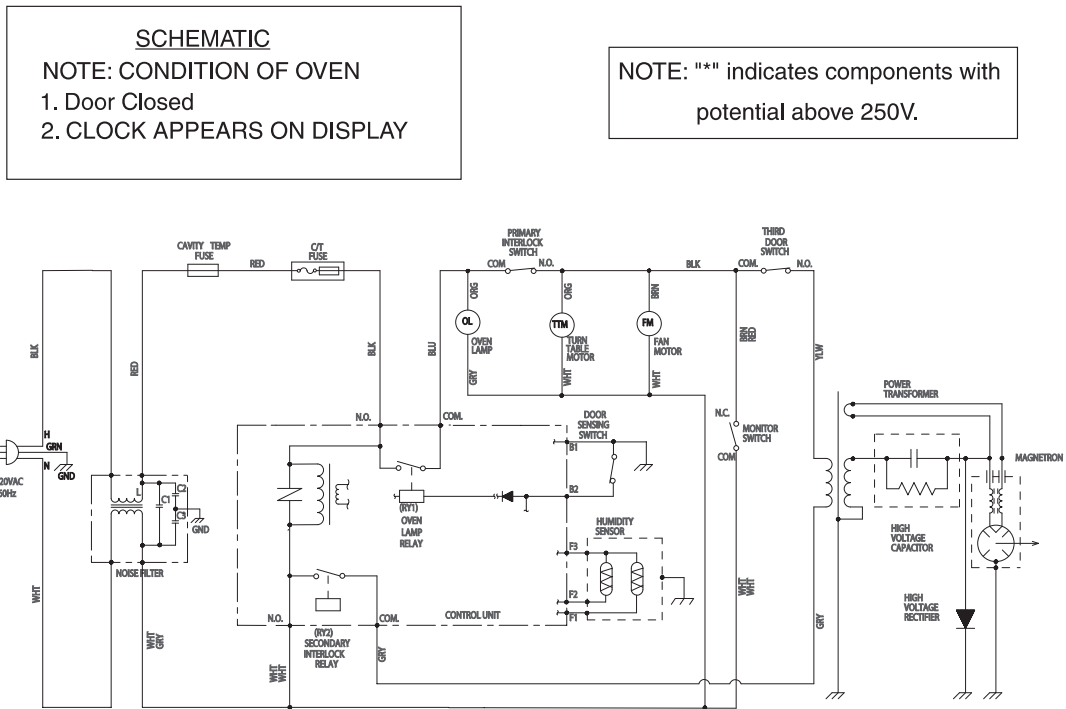


Figure O-1 Oven Schematic - Off Condition

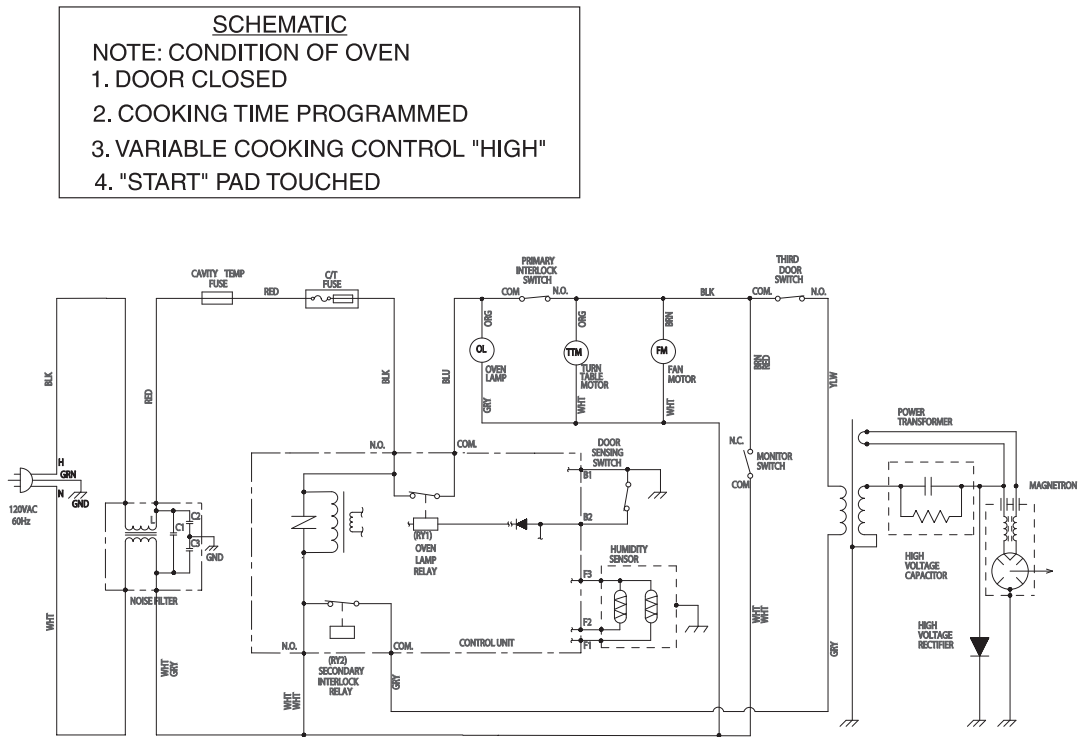


Figure O-2 Oven Schematic - Cooking Condition