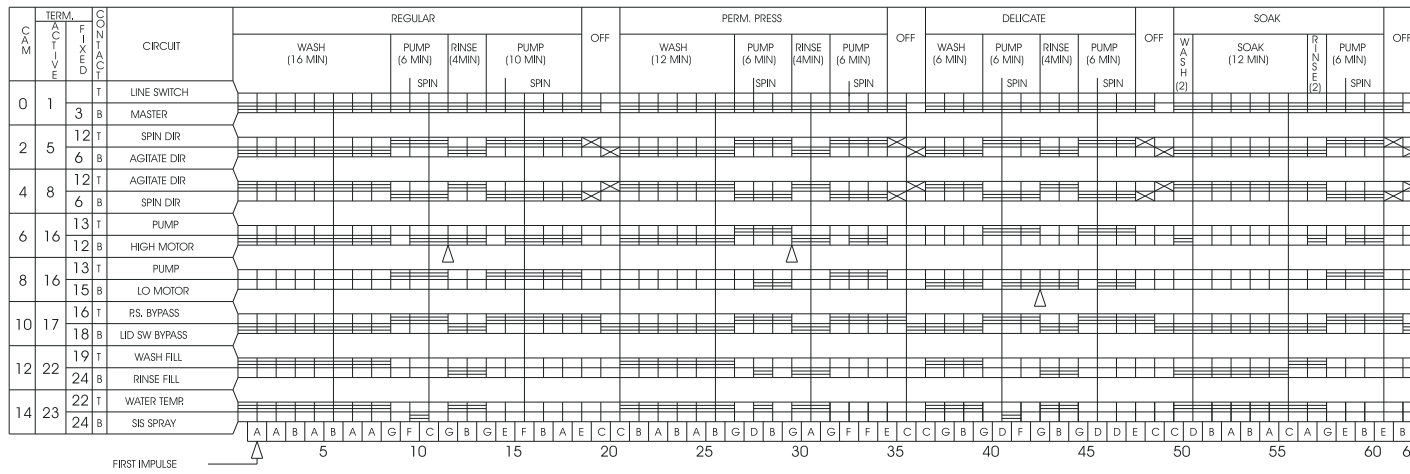
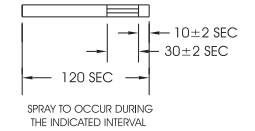


CAUTION: DISCONNECT ELECTRIC CURRENT BEFORE SERVICING



SUBINTERVAL SPRAY DETAIL



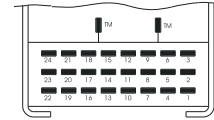
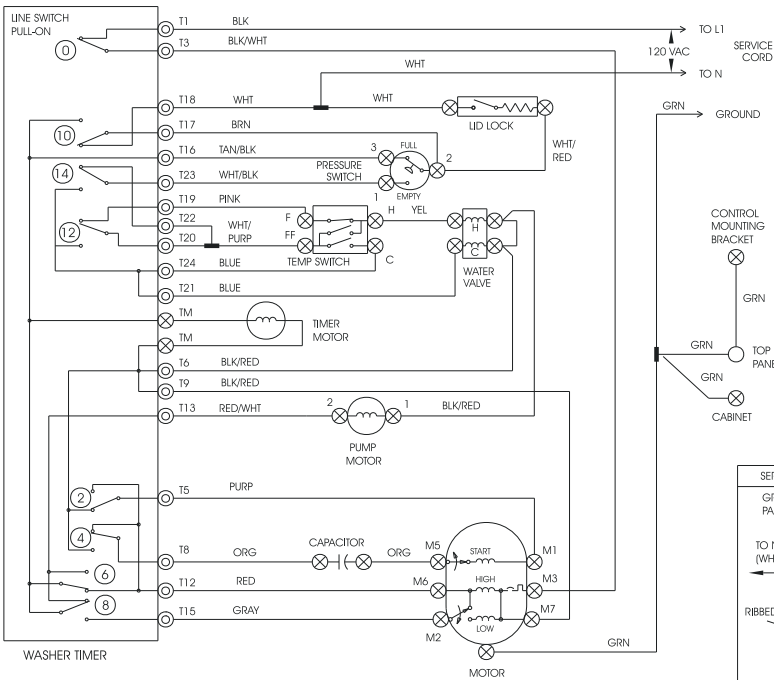
SPRAY TO OCCUR DURING THE INDICATED INTERVAL

△ INDICATE SWITCH OPEN FOR 9 ± 4 SEC.

RACHET ANGLE LEGEND

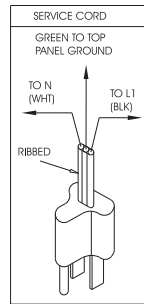
A = 4.5°
B = 5.0°
C = 5.5°
D = 6.0°
E = 6.5°
F = 7.0°
G = 7.5°

CIRCLED NUMBERS INDICATE CAM



WIRING CODES

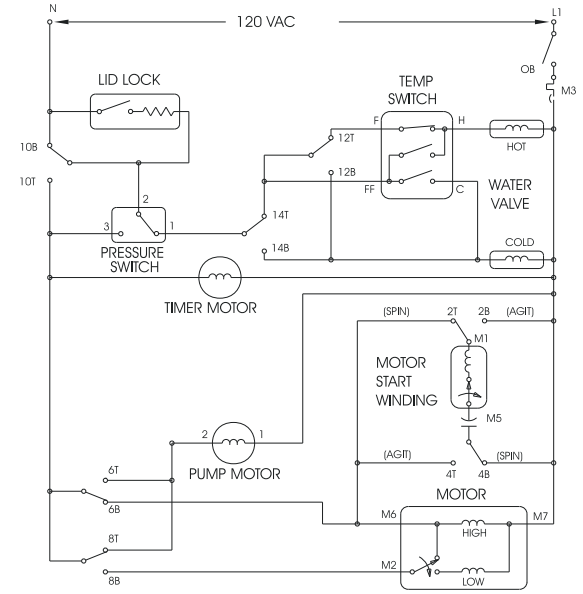
- ⊙ PLUG-IN TIMER TERMINAL
- ⊗ QUICK DISCONNECT TERMINAL
- SCREW TERMINAL
- CONNECTION
- NO CONNECTION
- ⊕ MOTOR SWITCH
- SPICE
- MOTOR PROTECTOR



TEMPERATURE SWITCH CIRCUIT

	F-H	FF-H	FF-C
WASH/RINSE	X	○	○
HOT/COLD	X	○	X
WARM/COLD	○	○	X
COLD/COLD	○	X	X
WARM/WARM(OPT)	○	X	X

○=OPEN X=CLOSED
(OPT)=OPTIONAL ON SOME MODELS



NOTE: SUFFIX INDICATES TIMER SWITCH CONTACTS
T=TOP
B=BOTTOM

131 822 400