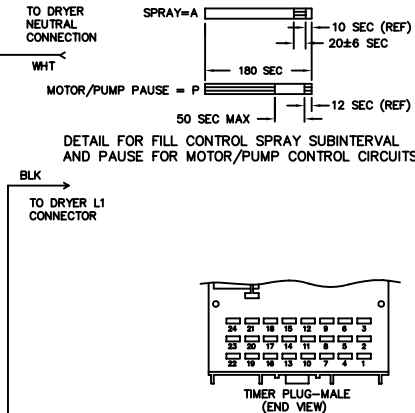
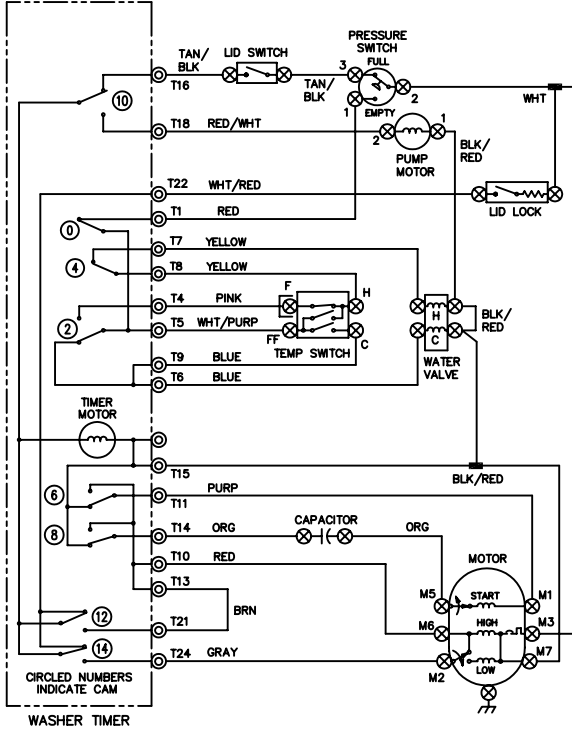
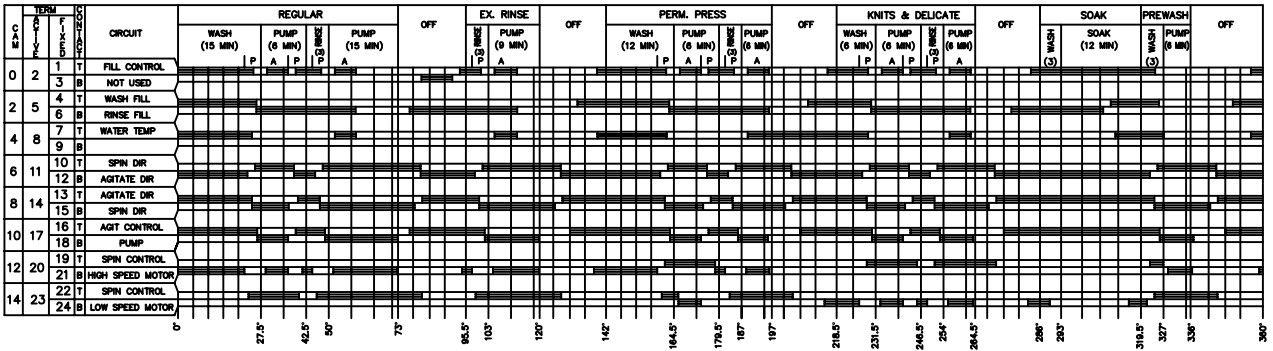


CAUTION: DISCONNECT ELECTRIC CURRENT BEFORE SERVICING



WIRING CODES

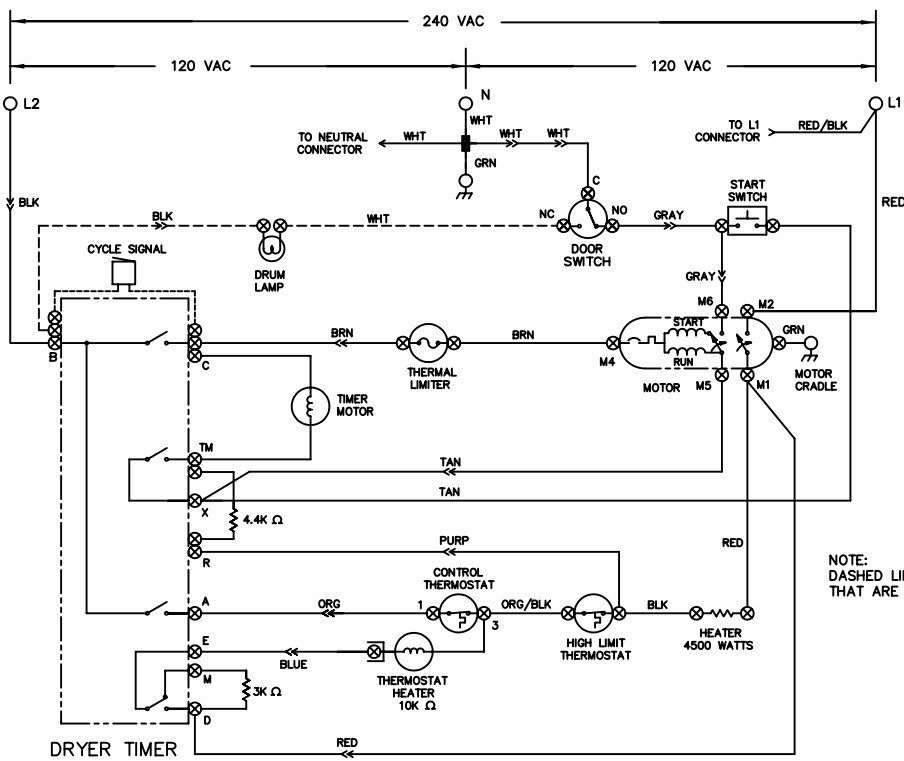
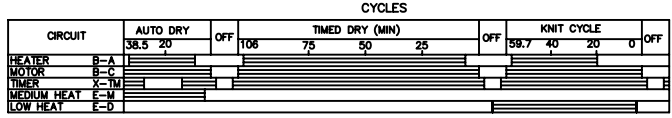
- ⊙ PLUG IN TIMER TERMINAL
- ⊗ QUICK DISCONNECT TERMINAL
- SCREW TERMINAL
- CONNECTION
- + NO CONNECTION
- ⊞ MOTOR SWITCH
- ⊞ SPLICE
- ⊞ MOTOR PROTECTOR
- ⊞ CHASSIS (CABINET) GROUND
- ⊞ HARNESS CONNECTOR TERMINAL
- ⊞ INSULATED TERMINAL

- NOTES:
- ALL WIRING MUST CONFORM TO LOCAL ELECTRICAL CODES.
 - CONNECT DRYER TO 30 AMP INDIVIDUAL BRANCH CIRCUIT.
 - DRYER TIMER SHOWN IN OFF POSITION DOOR SWITCH CLOSED, MOTOR AT REST, AND THERMOSTAT CLOSED.
- WASHER TIMER SHOWN IN ON POSITION TEMPERATURE SELECTOR SWITCH AT HOT WASH/COLD RINSE, AND PRESSURE SWITCH FULL.

TEMPERATURE SWITCH CIRCUIT

WASH/RINSE	F-H	FF-H	FF-C
HOT/COLD	X	0	0
WARM/WARM (OPT)	0	X	X
COLD/COLD	0	0	X
WARM/COLD	X	0	X

X=CLOSED 0=OPEN

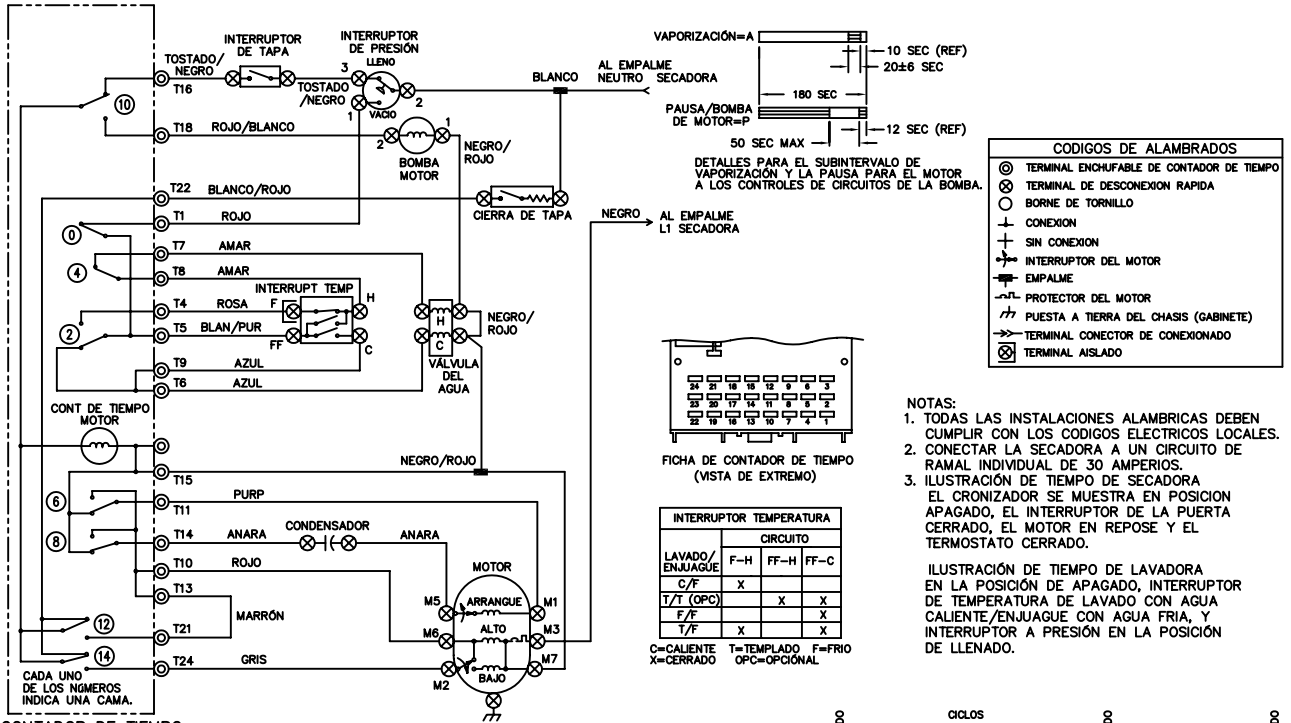


THE BAR CHART ABOVE REPRESENTS ONE COMPLETE REVOLUTION OF TIMER SHAFT. SHADED PORTION OF BAR CHART INDICATES THE PROPORTIONAL TIMES THAT INTERNAL TIMER CONTACTS ARE CLOSED.

NOTE: DASHED LINES INDICATE CIRCUITS THAT ARE NOT IN ALL MODELS.

PRECAUCION: DESCONECTAR LA CORRIENTE ELECTRICA ANTES DE DAR SERVICIO A LA SECADORA.

P-C/INTL	TERMINAL	CIRCUITO	REGULAR			APAGADO	ENJUAGUE ADIC BOMBA (9 MIN)	APAGADO	PLANCHADO PERMANENTE			APAGADO	PUNTOS Y DELICADO			APAGADO	REMOJO (12 MIN)	PRELAVADO (6 BOMBAS)	APAGADO
			LAVADO (15 MIN)	BOMBA (6 MIN)	BOMBA (15 MIN)				LAVADO (12 MIN)	BOMBA (6 MIN)	BOMBA (6 MIN)		LAVADO (6 MIN)	BOMBA (6 MIN)	BOMBA (6 MIN)				
0	2	1	LLENADO DE CONTROL																
0	2	3	NO UTILIZADO																
2	5	4	LLENADO LAVADO																
2	5	6	LLENADO ENJUAGUE																
4	8	7	TEMPERAT DEL AGUA																
4	8	9																	
6	11	10	DIREC DE CENTRIF																
6	11	12	DIREC DE AGITAC																
8	14	13	DIREC DE AGITAC																
8	14	15	DIREC DE CENTRIF																
10	17	16	AGITA DE CONTROL																
10	17	18	BOMBA																
12	20	19	CENTRIF DE CONTROL																
12	20	21	MOTOR VELOC ALTO																
14	23	22	CENTRIF DE CONTROL																
14	23	24	MOTOR VELOC BAJO																



INTERRUPTOR TEMPERATURA

LAVADO/ENJUAGUE	CIRCUITO		
	F-H	FF-H	FF-C
C/F	X		
T/T (OPC)		X	X
F/F		X	X
T/F	X		X

C=CALENTE T=TEMPLADO F=FRIO
 X=CERRADO

CICLOS

CIRCUITO	SECADO AUTO	SECADO CRONOMETRADO (MIN.)				PARA PUNTOS	APAGADO
		106	75	50	25		
CALENADOR B-A	38.5 20					58.7 40 20 0	
MOTOR B-C							
TM X-M							
CALOR MEDIO E-M							
BAJOR CALOR E-D							

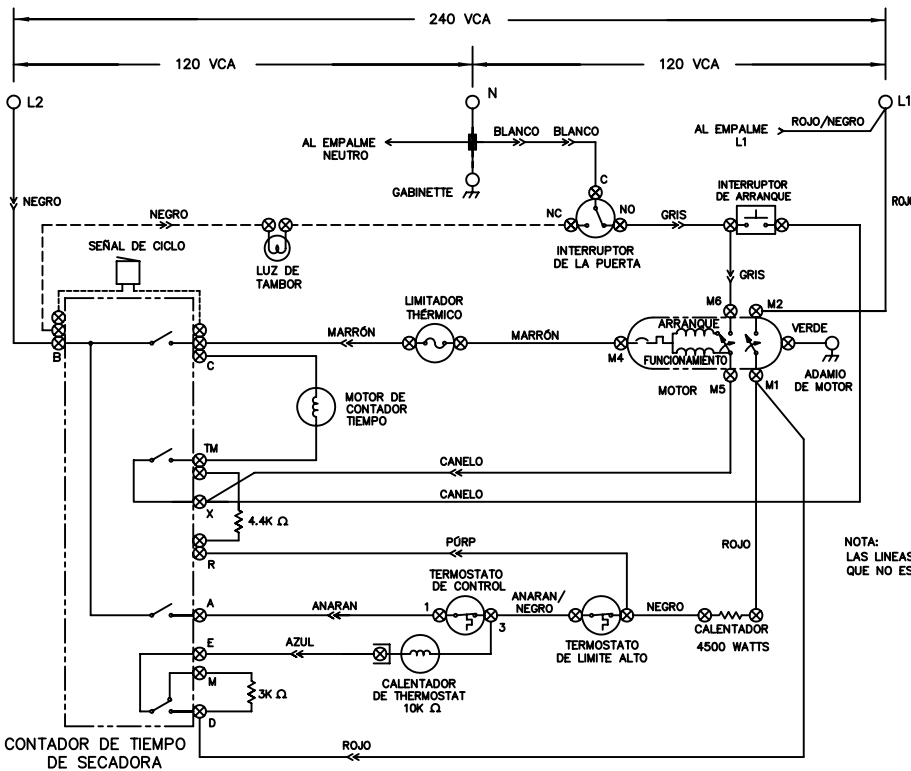


DIAGRAMA DE CONEXIONES NO DE PIEZA 134283800 A