



*Frigidaire*

## Factory Parts Catalog

Product No.	CFMV156FMA
Market	Canada
Color	silver
Volts	120
Watts	950
Wiring Diagram	5995477980
Owner's Guide	TINSEB445MRR2
Installation Instructions	316137233

 **Electrolux**

Electrolux Major Appliances  
North & Latin America  
5855 TERRY FOX WAY  
MISSISSAUGA, ONTARIO, CANADA L5V  
3E4

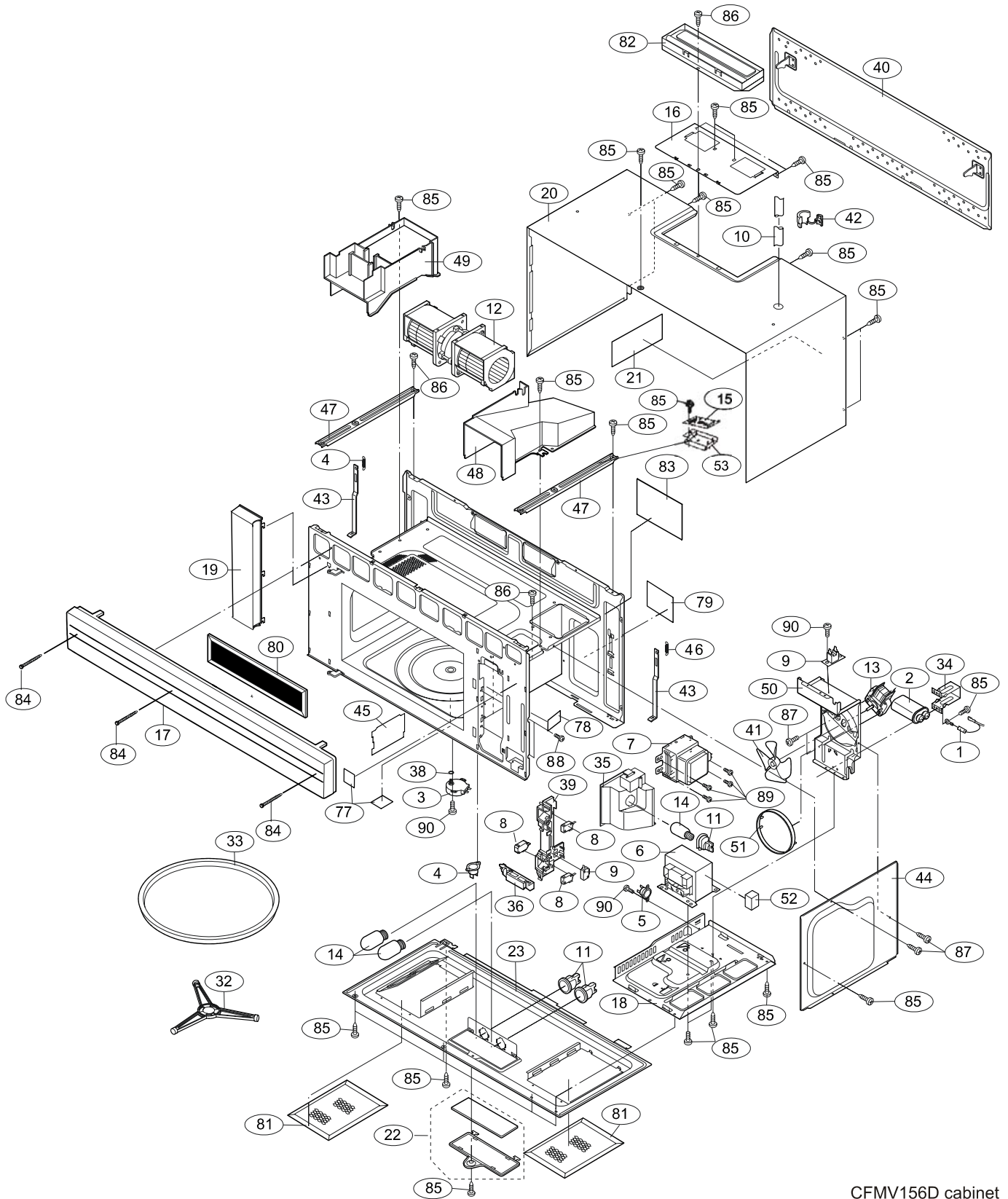
Publication No.  
**5995477980**  
07/04/19  
(EN/SERVICE/)  
099

**OVER-RANGE  
MICROWAVE**

Model No.  
**CFMV156F**

Copyright © 2007 Electrolux Home Products, Inc.  
All rights reserved.

OVEN, CABINET

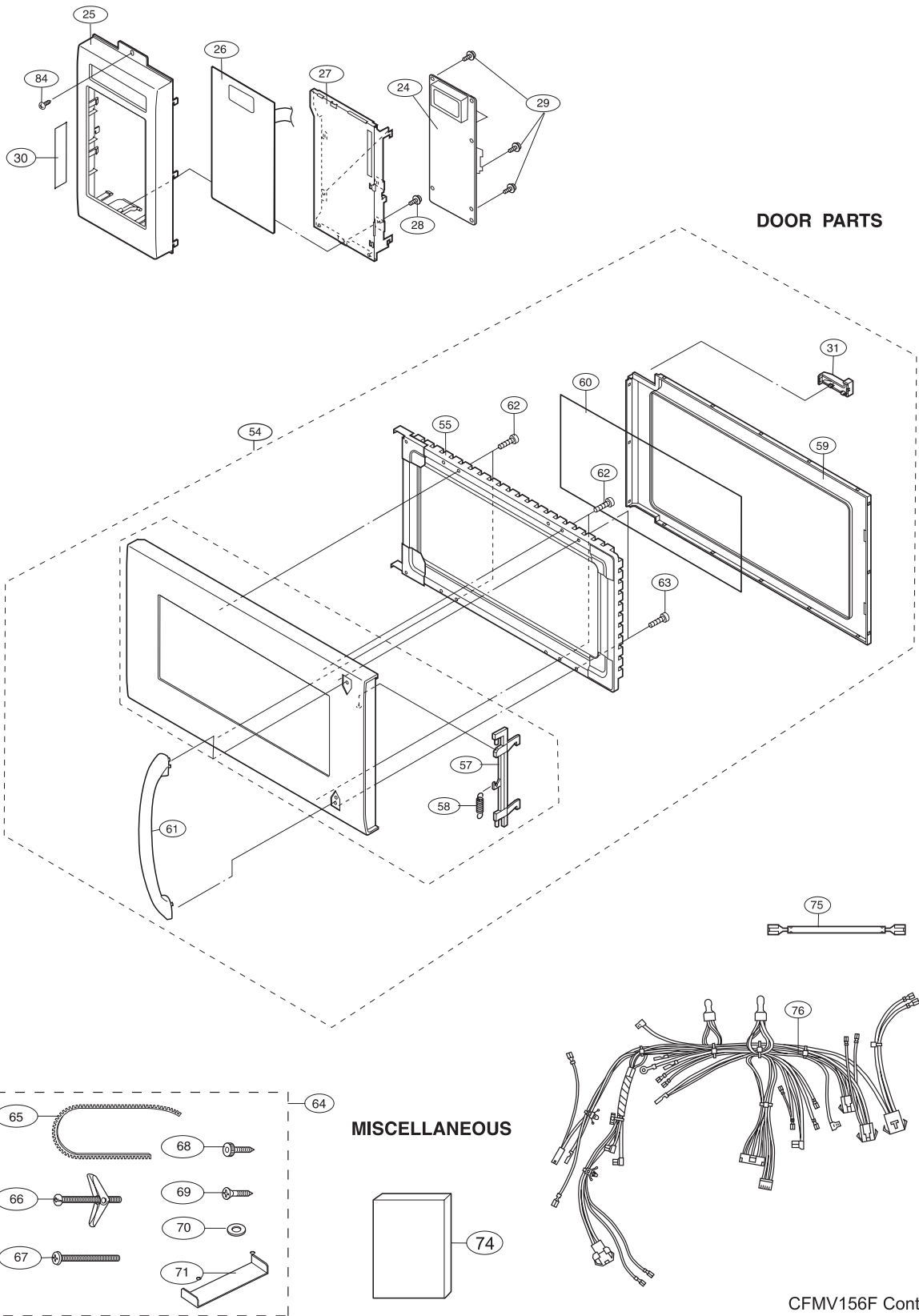


CFMV156D cabinet

**OVEN,CABINET**

POS. NO	PART NO.	DESCRIPTION
1 #	5304441844	Rectifier, high voltage
2 #	5304441903	Capacitor, high voltage
3 #	5304448488	Motor, turntable
4 #	5304440032	Thermal Cutout, oven cavity
5 #	5304440023	Thermal Cutout, hood
6 #	5304453726	Transformer, power
7 #	5304448849	Magnetron
8 #	5304440026	Switch, interlock, door sensor
9 #	5304440027	Switch Kit, monitor, with CT fuse
10 #	5304440028	Power Cord, electric
11 #	5303319561	Receptacle, lamp socket, oven
12 #	5304441847	Motor, hood fan
13 #	5304441848	Motor, cooling fan
14	5304440031	Lamp, incandescent, 20 W, (3)
15 #	5303322968	Filter, noise, electronic
16	5304441849	Plate, rear stay
17	5304458567	Grille, exhaust louver, black
18	5304441853	Base, transformer mtg, right side
19	5304453718	Panel, front trim, silver, LS
20	5304441858	Cabinet, outer casing, black
21	5304441905	Wiring Diagram, schematic
22	5303319573	Lens/Frame Assy, lamp
23	5304451815	Cover, unit base, black
32	5304440284	Support Assy, turntable
33	5304441872	Tray, turntable, glass
34	5304441873	Retainer, capacitor strap
35	5304458569	Duct, magnetron
38	5304440288	Bushing, motor shaft, turntable
39	5304440289	Latch Hook
40	5304441833	Bracket, unit mtg plate, rear
41 #	5304440843	Fan Blade, cooling fan
42	5303319605	Bushing, power cord
43	5304441875	Lever, unit mounting, release
44	5304441876	Duct, hood intake, right side
45	5304440845	Cover, waveguide
46	5304440316	Spring, door latch
47	5304441877	Support, chassis
48	5304441878	Duct, hood intake, right side
49	5304441879	Duct, exhaust hood, left side
50	5304441880	Duct, cooling fan
51	5304441881	Ring, fan orifice
52	5304441882	Cushion, transformer pad
53	5303322975	Bracket, noise filter, angle
72	5304451533	Label, NHW caution
77	5304441900	Label, Caution-DHHS
78	5304440334	Label, Caution-monitor
79	5304440333	Label, Caution-DHHS
80	5304456425	Filter, inside exhaust, charcoal
81	5303319568	Filter, grease, (2)
82	5304440283	Damper Assy, exhaust
83	5304453725	Screw, 3mm x 8mm
84	5303319640	Screw, black
85	5304451553	Screw, 4 mm x 12 mm
87	5304450253	Screw, 4 mm x 8 mm
88	5303319641	Screw
89	5303319636	Screw

**CONTROL PANEL, DOOR, MISC.**



**CONTROL PANEL,DOOR,MISC.**

POS. NO	PART NO.	DESCRIPTION
24 #	5304441863	Control Board, printed circuit
25	5304453719	Frame, control panel, silver
26 #	5304441868	Switch, touch pad, black
27	5304440281	Panel, control mount
28	5304458568	Screw
29	5304456930	Screw
30	5304440346	Label, User Caution
31	5304441871	Door Stop
54	5304453720	Door Assy, silver, w/handle
55	5304441887	Panel, inner door, black
57	5304440314	Latch, door
58	5304440316	Spring, door latch
59	5304441894	Frame, choke cover, inner door
60	5304440860	Seal, door, film
61	5304440323	Handle, door, black
62	5304451561	Screw, 4 mm x 8 mm
63	5304458213	Screw, 4 mm x 12 mm
64	5304441832	Hardware, installation, kit
65	5303318761	Sleeve, power cord, grommet
66	5303318762	Screw, toggle
67	5303318764	Screw, 5mm x 60mm
68	5303318767	Screw, 4mm x 12mm
69	5303318765	Screw, wood, 5mm x 35 mm, (6)
70	5303318766	Washer, flat, 30mm, (2)
71	5304441896	Bracket, scale plate
74	5304458571	Template, installation, top/wall
75 #	5304441898	Wire, high voltage-A
76 #	5304441907	Wiring Harness, main
84	5303319640	Screw, black

WIRING SCHEMATIC

SCHMATIC  
 NOTE: CONDITION OF OVEN  
 1. DOOR CLOSED.  
 2. CLOCK APPEARS ON DISPLAY.

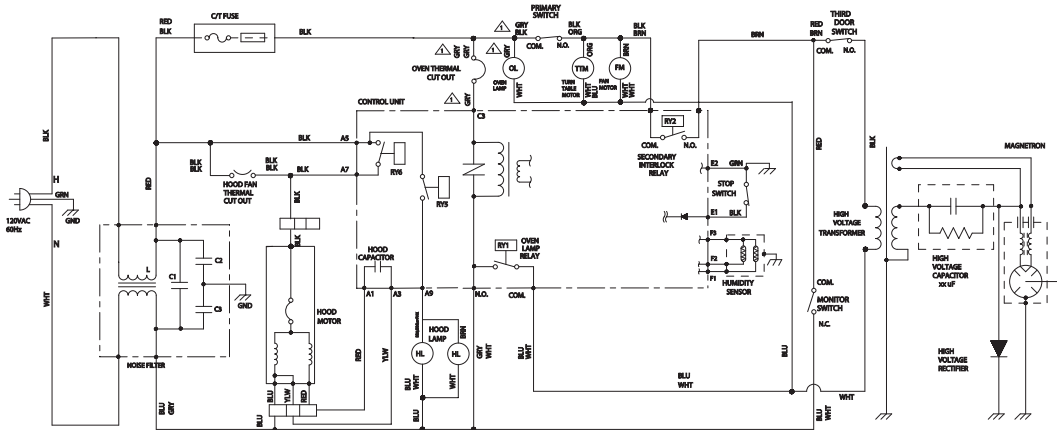


Figure O-1. Oven Schematic-Off Condition

SCHMATIC  
 NOTE: CONDITION OF OVEN  
 1. DOOR CLOSED.  
 2. COOKING TIME PROGRAMMED.  
 3. VARIABLE COOKING CONTROL "HIGH".

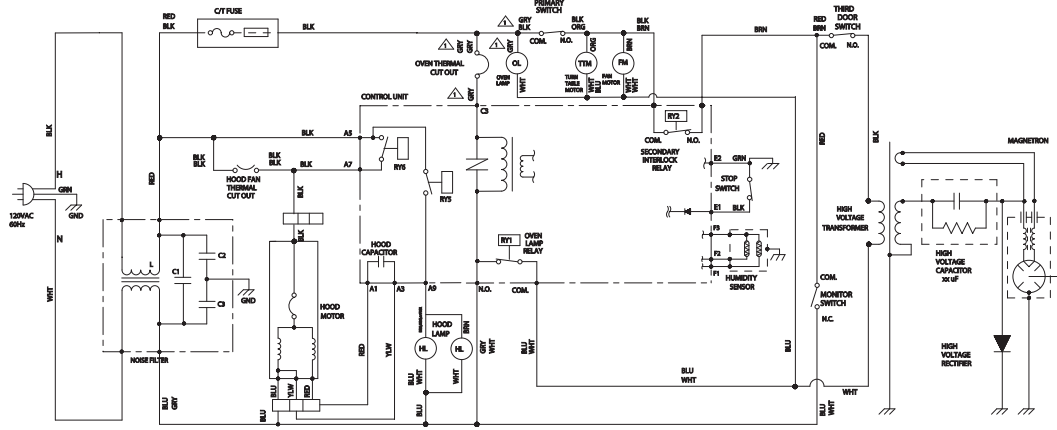


Figure O-2. Oven Schematic-Cooking Condition