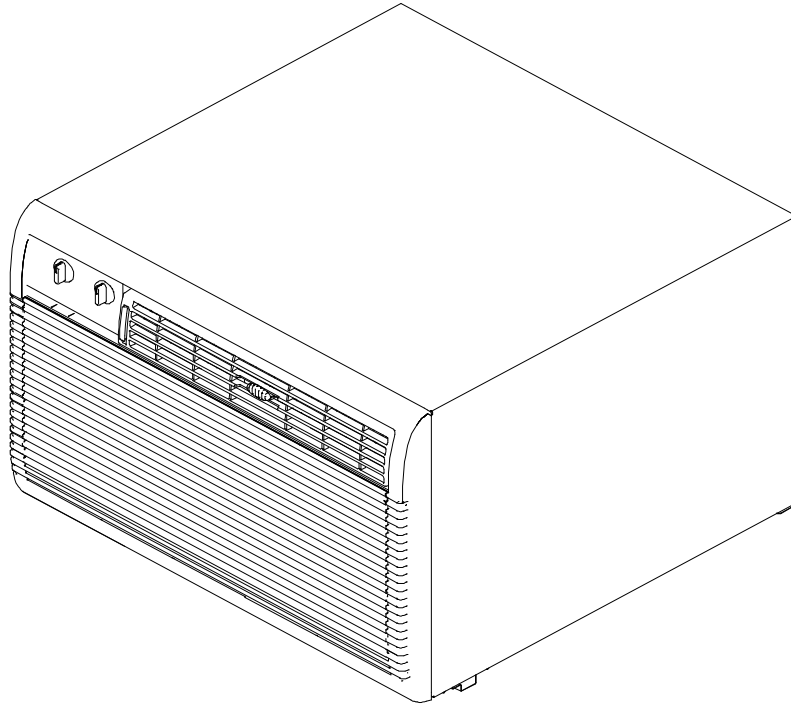


FACTORY PARTS CATALOG ROOM AIR CONDITIONER

 **FRIGIDAIRE**



PRODUCT NO.	BASE MODEL NO.	VOLTS	BTU-COOLING
FAH08EJ1T1	FAH08EJ1T	115	8000

WIRING DIAGRAM # - 309104101
OWNERS GUIDE # - 309000823

 **FRIGIDAIRE**
HOME PRODUCTS
P.O. Box 212378
Augusta, GA 30917

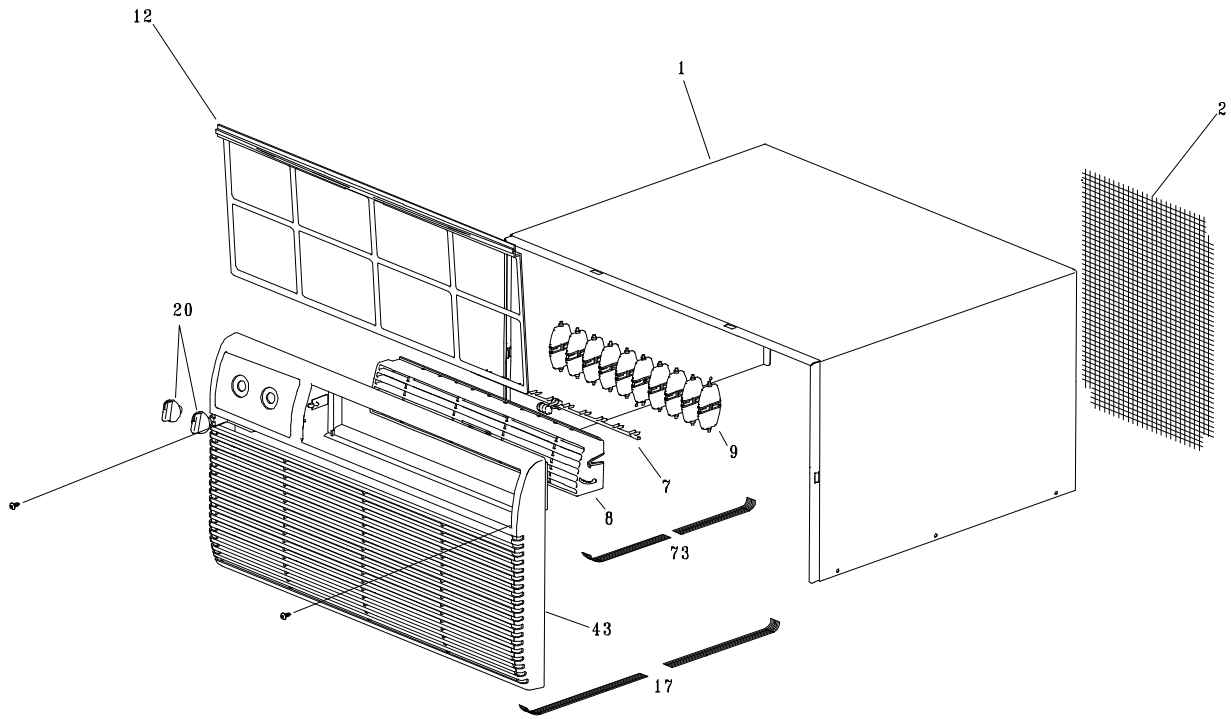
Publication No.
5995338448
000307
-EN/SERVICE /REP
345

ROOM AIR CONDITIONER

Model No.
FAH08EJ1T1

©2000 White Consolidated Industries, Inc.
All rights reserved

CABINET FRONT AND WRAPPER

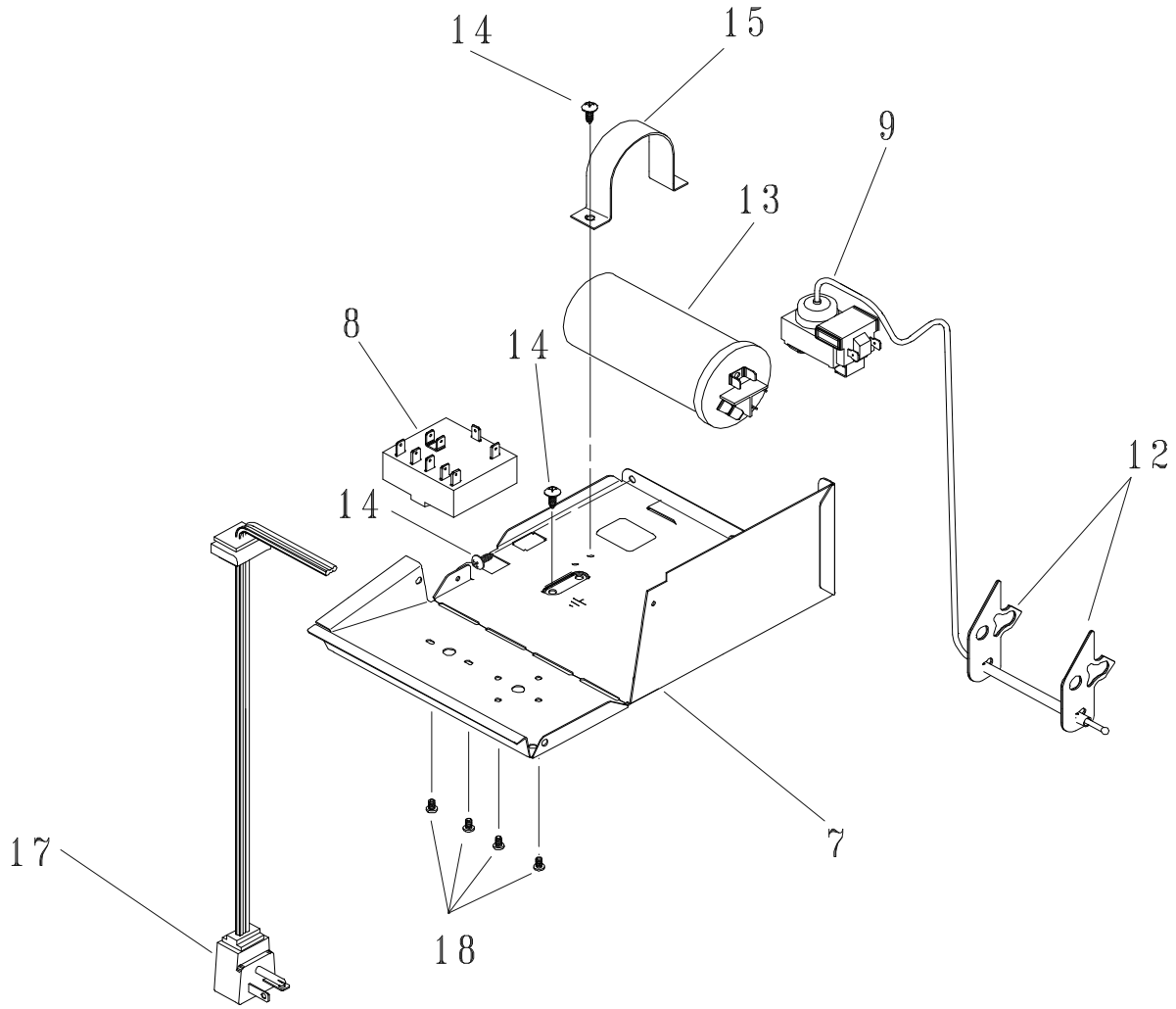


CABINET FRONT AND WRAPPER

POS. NO.	PART NO.	DESCRIPTION
1	309627504	WRAPPER-U BEND 18.5 BLD
2	309636101	SCREEN-SAFETY 18.5 BLD
7	309324004	LINK-VERT LOUVER 1403
8	309628004	LOUVERS-HORIZ 1403
9	309628104	LOUVER-VERT 1403
12	309628204	FILTER-MOLDED AIR
17	309629406	FRONT ASSY 18.5 BLD
20	309307011	KNOB-CONTROL(1403;W/6502)
43	309631806	FNT/CTRL LABEL ASSY
73	309629304	LOUVER ASSY
*	5304408740	PANEL-REAR PLASTIC

= Functional Parts
* = Non-illustrated Parts

CONTROL PARTS

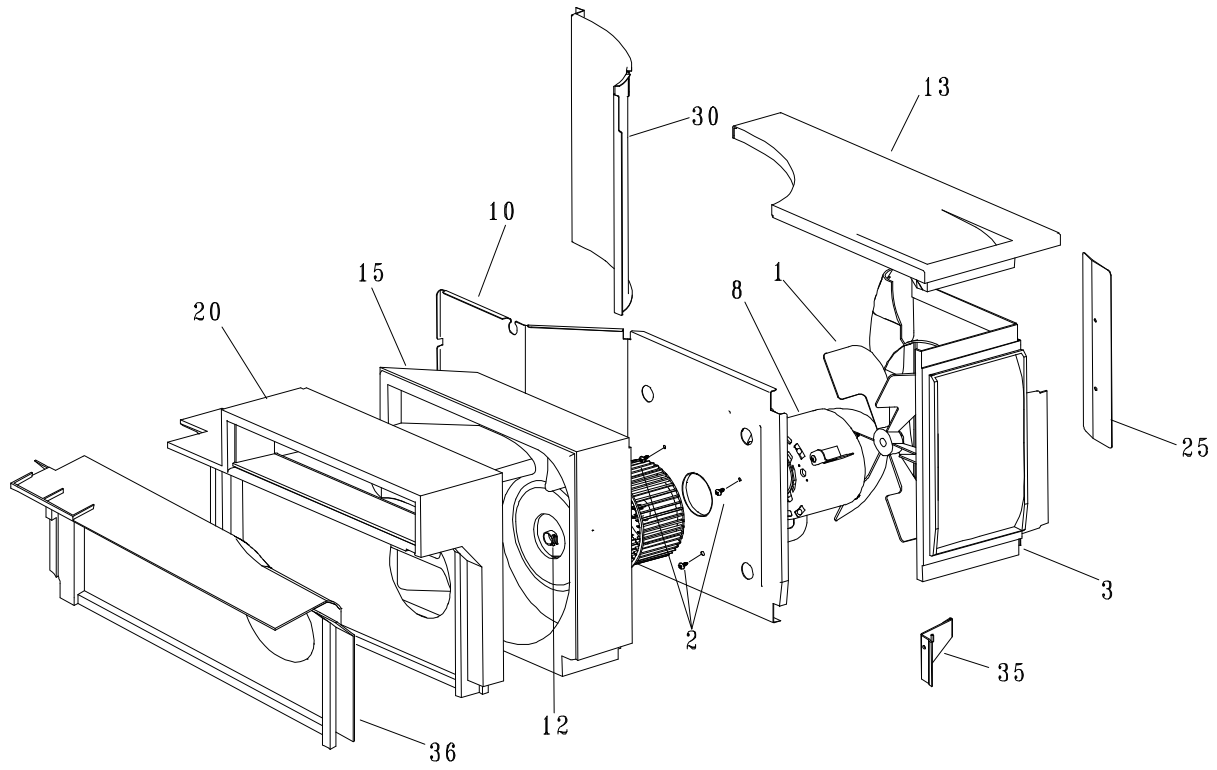


CONTROL PARTS

POS. NO.	PART NO.	DESCRIPTION
7#	309628502	#BOX-CONTROL
8#	309329301	SWITCH-7POS GE
9	5304409496	CONTROL-AIR TEMP
12	309329801	#RETAINING CLIP
13#	5303303576	Capacitor,370V, 35+ 10
14	5303285199	Screw,phillips, 8-18,sq. recess truss head
15	5303303077	Strap-capacitor
17#	309343104	CORD-SRV 115V/14GA TYPE A
18	5303007754	Screw,.138-32
35 *	3200761	Spacer-control bulb
37	5304409500	HARNESS ASM
*	309111201	GROMMET-WIRES

= Functional Parts
* = Non-illustrated Parts

AIR HANDLING PARTS

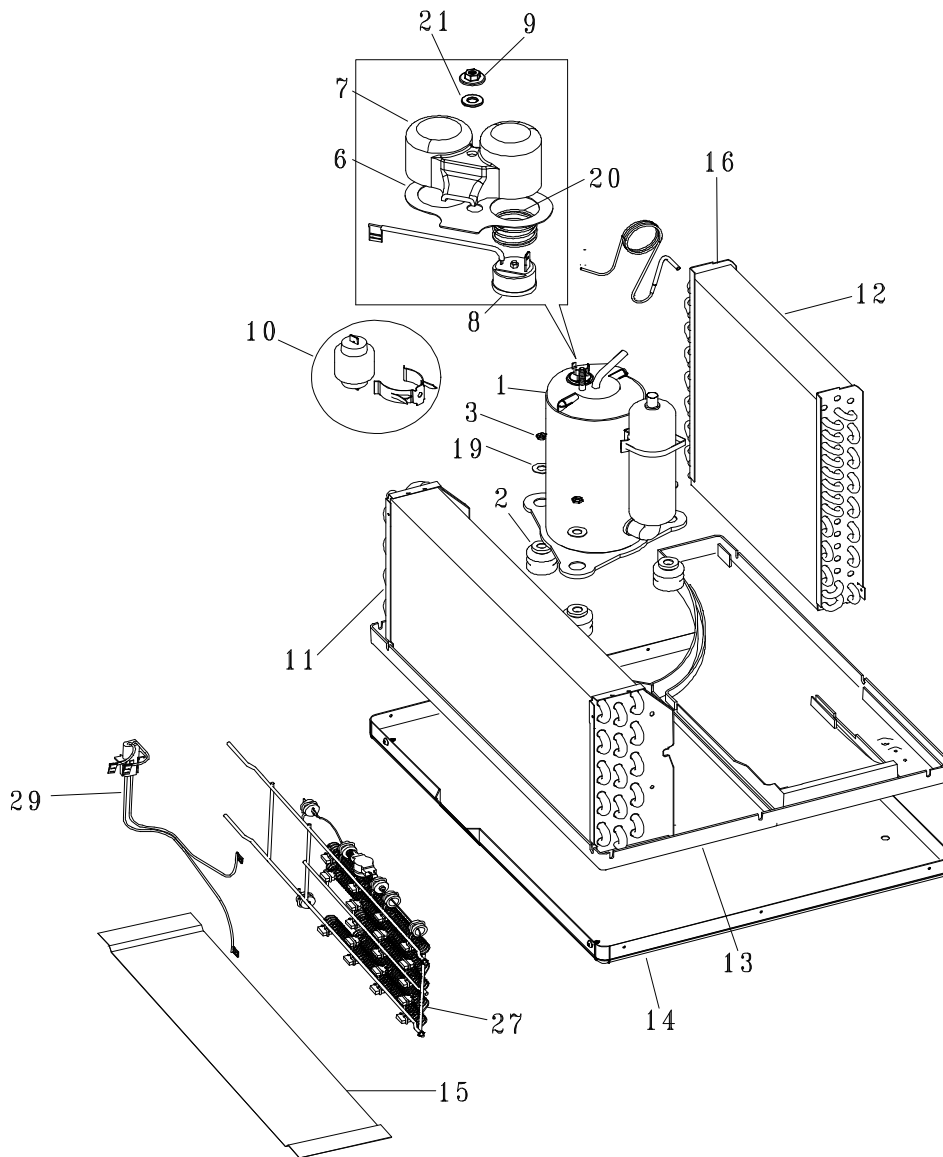


AIR HANDLING PARTS

POS. NO.	PART NO.	DESCRIPTION
1#	309629102	BLADE-FAN ASSY
2	3202975	Screw,10-16 x 0.72 sq. drive
3	309628901	SHROUD-CONDENSER
8#	5304409513	MOTOR-FAN 2SP,W/LEADS
10	309627401	BULKHEAD-18.5CHASSIS
11#	309631701	BLOWER WHEEL
12	5303012110	Clamp-blower
13	309628802	TOP-CONDENSER
15	309622802	SCROLL-18.5
20	309625501	SCROLL PLATE
25	309335201	BAFFLE-AIR
30	309629001	PARTITION-SHROUD
35	309335001	BAFFLE-CONDENSATE
36	309633401	HEAT SHIELD

= Functional Parts
* = Non-illustrated Parts

COMPRESSOR PARTS

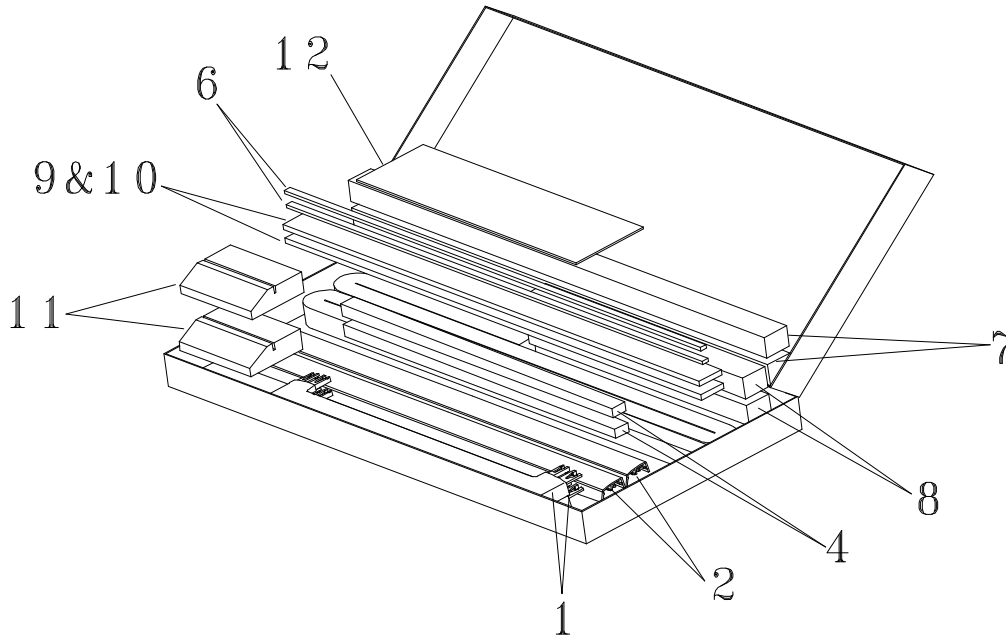


COMPRESSOR PARTS

POS. NO.	PART NO.	DESCRIPTION
1#	5303300200	COMPR-MATSUSHITA
2	5303283877	Grommet,compressor,(3)
3	5308006948	Nut,compressor,(3)
6	5303002035	Gasket-cover
7	3002034	Cover-terminal
8#	5303211026	OVERLOAD-MRA 98706-694
9	5303301734	Nut,cover
11#	309632303	EVAP ASSY-2RW/17FPI
12#	309632503	COND ASSY-3RW/15FPI
13	309628702	TRAY-BASE
14	309632004	BASE/STUD ASSY
15	309629501	HEAT SHIELD
16#	5303209547	Capillary tube
19	5303002664	Washer,compressor
20	5303002036	Spring,overload
21	5303295516	Washer,cover
27	309627004	HEATER ASS'Y
30	3017804	Valve-drain
32	3018695	Nut-heater

= Functional Parts
* = Non-illustrated Parts

WINDOW MOUNTING PARTS

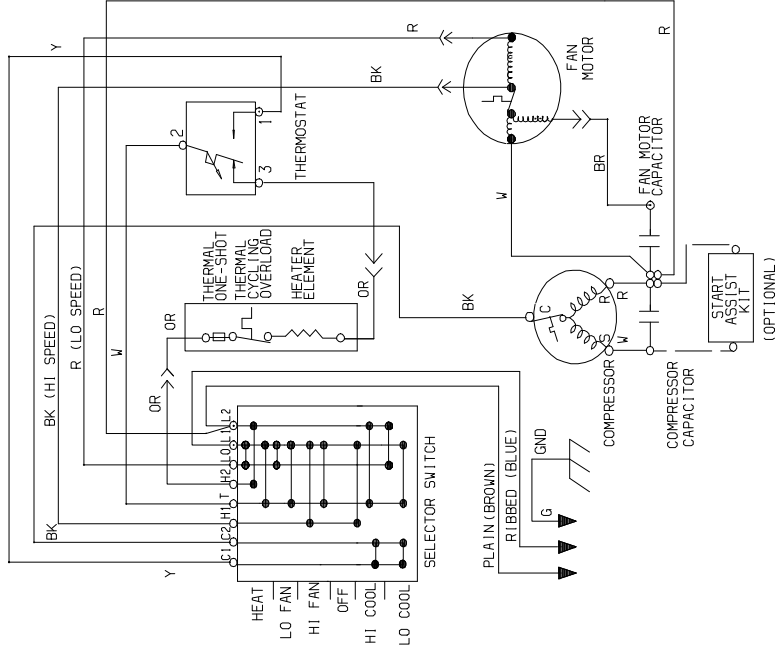


POS. NO.	PART NO.	DESCRIPTION
1	309628603	TRIM FRAME-SIDES
2	309628604	TRIM FRAME-TOP & BOTTOM
3 *	5304409303	KIT-GROUNDING WIRE
4	5304409304	BLOCK-TAPERED
5 *	5303301038	SEAL-WRAPPER
6	5304409305	SEAL-COND END BRACKET
7	5304409306	SEAL-COND/REAR PANEL
8	5304409307	SEAL-COND/REAR PNL,SIDES
9	5304409308	SEAL-COND/RR PNL, TOP & BTM
10	5304409309	SEAL-COND/REAR PNL, SIDES
11	5304409310	BLOCK-CHASSIS/CABINET
12	309335101	DIVIDER-COND IN/OUT
13 *	5304409311	KIT-GRILLE MOUNTING
15	309636002	KIT-MTG-ALL PARTS ABOVE

= Functional Parts
 * = Non-illustrated Parts

WIRING DIAGRAM

SUB
309104101 (1)



BK=BLACK
BR=BROWN
OR=ORANGE
Y=YELLOW
G=GREEN
W=WHITE

