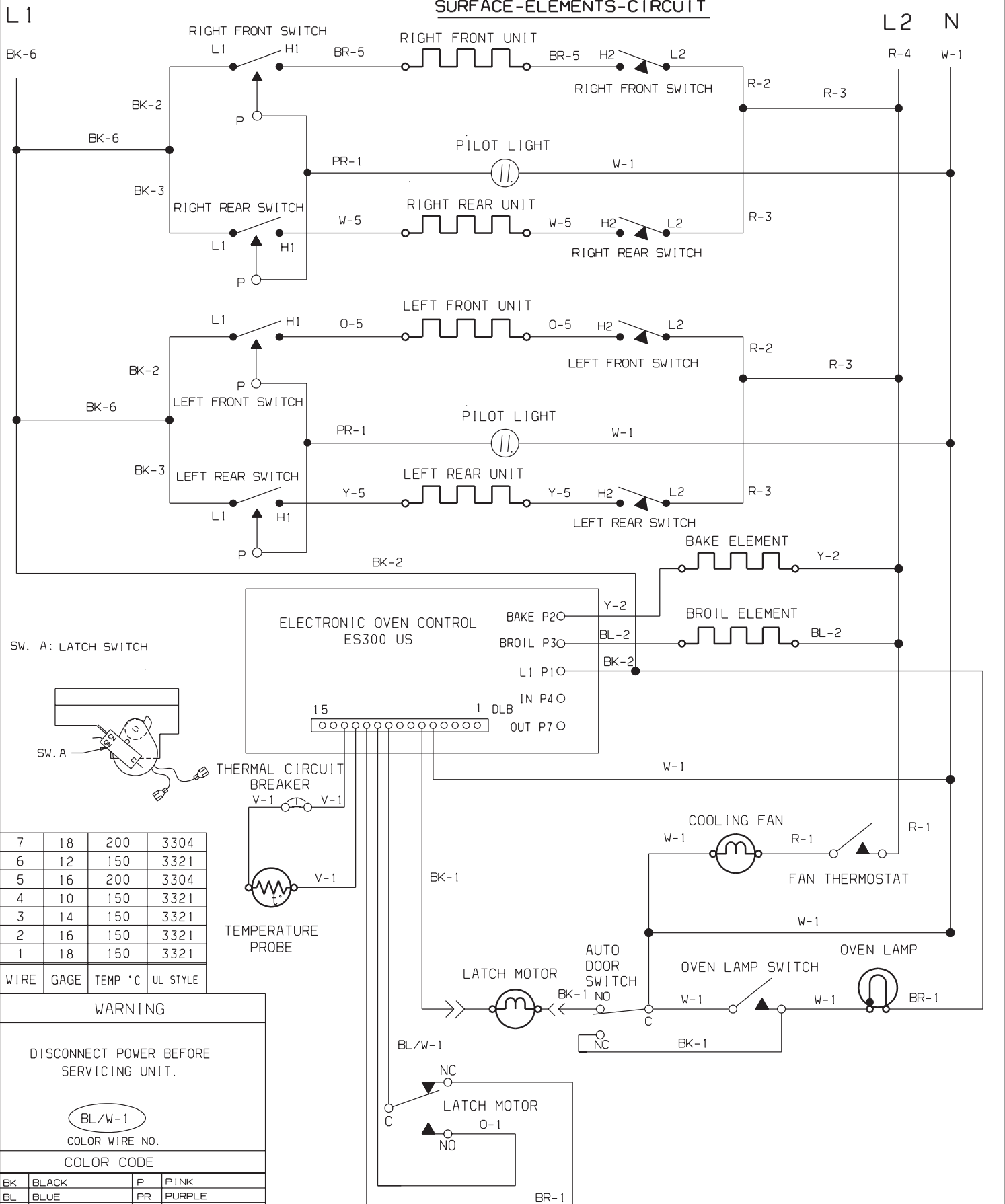
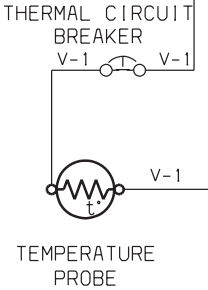
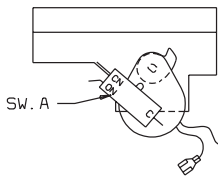


SURFACE-ELEMENTS-CIRCUIT



SW. A: LATCH SWITCH



7	18	200	3304
6	12	150	3321
5	16	200	3304
4	10	150	3321
3	14	150	3321
2	16	150	3321
1	18	150	3321
WIRE	GAGE	TEMP °C	UL STYLE

WARNING

DISCONNECT POWER BEFORE SERVICING UNIT.

BL/W-1

COLOR WIRE NO.

COLOR CODE

BK	BLACK	P	PINK
BL	BLUE	PR	PURPLE
BR	BROWN	R	RED
C	COPPER	T	TAN
G	GREEN	V	VIOLET
GY	GRAY	W	WHITE
O	ORANGE	Y	YELLOW
BL/W	BLUE/WHITE STRIPE		

NOTE:

CIRCUIT SHOWN WITH ALL CONTROLS SET TO "OFF".
OVEN DOOR CLOSED AND UNLOCKED.

318045065 REV: A