



Installation Instructions

30-Inch Dishwasher

For use with models: ED30 and ID30

Table of Contents

Important Safety Instructions	1	Installation Instructions	6
Important Information About Safety Instructions	1	Verify the Package Contents.....	6
Safety Symbols and Labels	1	Installing the Unit in the Cabinet.....	7
General Safety Precautions	2	Cabinet Panel Installation	9
Product Specifications	3	Plumbing Connections	10
Preparing for Installation	4	Verifying Proper Operation.....	11
Preparing the Location.....	4	Toe Kick Installation	12
Electrical Specifications	5		
Install the Plumbing.....	5		
Planning the Drain	5		

Before You Begin...

Important:

Installer: In the interest of safety and to minimize problems, read these installation instructions completely and carefully before you begin the installation process. Leave these installation instructions with the customer.

Customer: Keep these installation instructions for future reference and the local electrical inspector's use.

Customer Service Information

If You Need Help...

If you have questions or problems with installation, contact your Dacor dealer or the Dacor Customer Service Team. For repairs to Dacor appliances under warranty call the Dacor Distinctive Service line. Whenever you call, have the model and serial number of the appliance ready. The model and serial number are printed on the product data label.

Dacor Distinctive Service (repairs under warranty only)

Phone: (877) 337-3226 (U.S.A. and Canada)
Monday — Friday 6:00 A.M. to 4:00 P.M. Pacific Time

Dacor Customer Service

Phone: (800) 793-0093 (U.S.A. and Canada)
Monday — Friday 6:00 A.M. to 5:00 P.M. Pacific Time

Web site: www.Dacor.com

Product Data Label Location

The product data label is located on the left door jamb. Open the door to expose it.

All specifications are subject to change without notice. Dacor® assumes no liability for changes to specifications.

Important Safety Instructions

Important Information About Safety Instructions

- The **Important Safety Instructions** and warnings in these instructions are not meant to cover all possible problems and conditions that can occur. Use common sense and caution when installing, maintaining or operating this or any other appliance.
- Always contact the Dacor Customer Service Team about problems and conditions that you don't understand. See **Customer Service Information**.

Safety Symbols and Labels

DANGER

Immediate hazards that **WILL** result in severe personal injury or death.

WARNING

Hazards or unsafe practices that **COULD** result in severe personal injury or death.

CAUTION

Hazards or unsafe practices that **COULD** result in minor personal injury or property damage.

DANGER

To avoid the possibility of explosion or fire, do not store or use combustible, flammable or explosive vapors and liquids (such as gasoline) inside or in the vicinity of this or any other appliance. Do not store flammable or explosive materials in adjacent cabinets or areas.

WARNING

A qualified technician must complete the installation of this built-in appliance. The owner is responsible to make sure the dishwasher is properly installed. Improper connection of the electrical wiring may create an electric shock or fire hazard and may result in damage to the dishwasher's electrical system.

READ AND SAVE THESE INSTRUCTIONS

Important Safety Instructions

General Safety Precautions

To reduce the risk of fire, electric shock, serious injury or death when using your appliance, follow basic safety precautions, including the following:

WARNING

- Do not install or operate this dishwasher if it has been damaged, dropped, has damaged electrical conduit or wires or is not working properly. If the product is damaged when received, immediately contact the dealer or builder.
- Use this dishwasher only for its intended purpose as outlined in the use and care manual. It is not intended for commercial use. Read the use and care manual completely before use.
- Keep all packaging materials away from children. Plastic bags can cause suffocation.
- To avoid electric shock, this dishwasher must be installed and grounded by a qualified installer in a completely enclosed cabinet according to these installation instructions.
- All installation work, plumbing connections and electrical wiring must be performed in accordance with all applicable codes and standards.
- Install or locate this appliance only in accordance with these installation instructions.
- The installer must show the customer the location of the fuse box or circuit breaker panel and the electrical outlet so that the customer knows where and how to disconnect or turn the power off.
- Before installing or servicing the dishwasher, disconnect the unit's power plug from the electrical outlet or switch power off at the fuse box or circuit breaker panel and lock the electrical panel door to prevent power from being switched on accidentally. When the circuit breaker panel cannot be locked, securely fasten a prominent warning device, such as a tag, to the electrical panel.
- Do not tamper with the controls.
- Do not leave children alone or unattended in the area where the dishwasher is in use. Never allow children to sit or stand on an appliance. Do not let children play with this appliance.
- Never allow anyone, including children, to sit or stand on any part of the dishwasher. Stepping or sitting on any part of it may result in tipping, damage and serious injury.
- Many surfaces within the dishwasher achieve high temperatures. Do not touch surfaces or items inside the dishwasher during or immediately after use. Exercise caution when opening the door. Let hot air and steam escape before looking or reaching inside.

WARNING

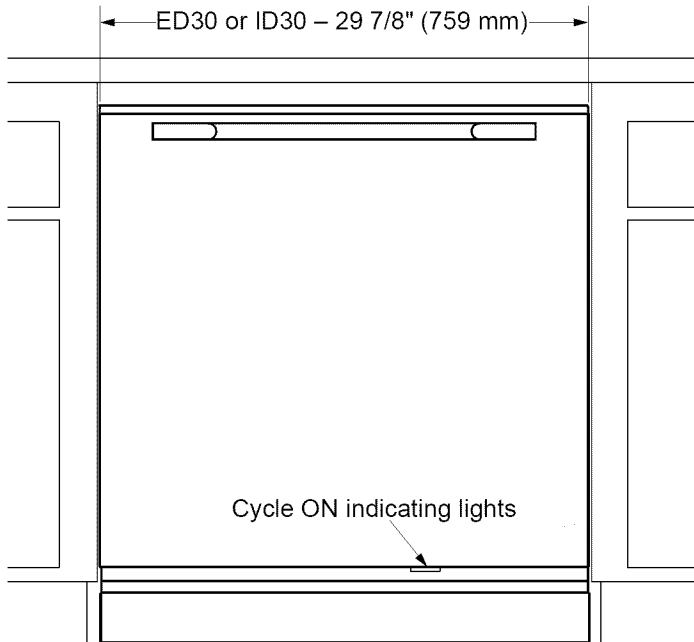
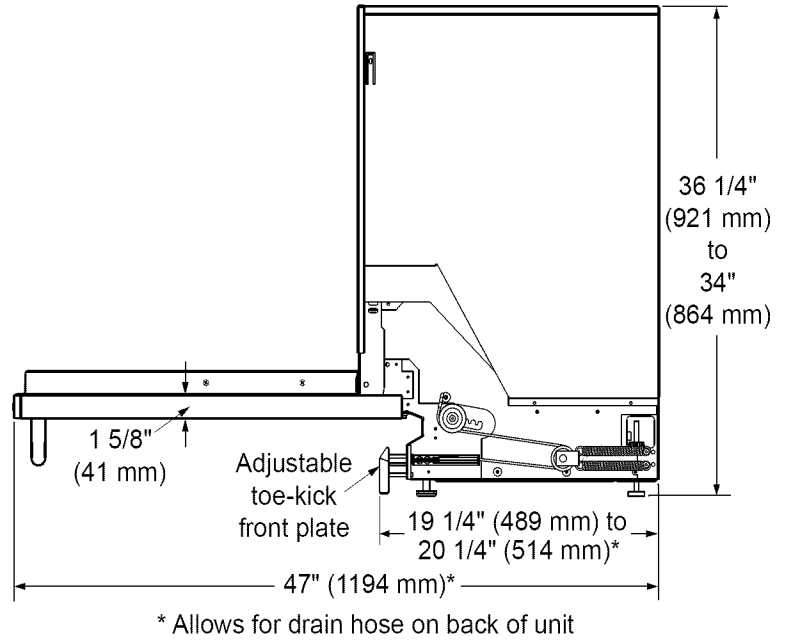
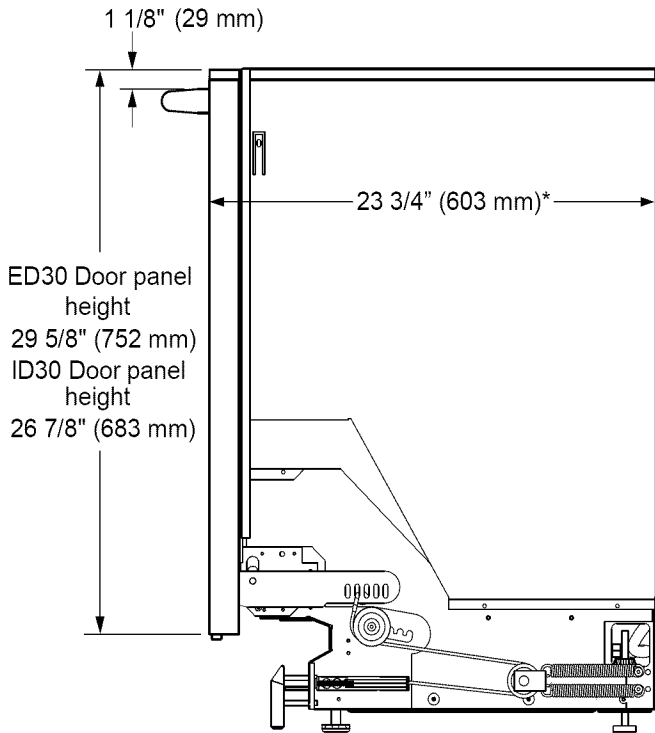
- Do not operate the dishwasher without the door completely closed and the toe kick panel in place.
- Store all detergents and rinse aids out of the reach of children.
- During loading, insert all sharp or pointed objects with the handles up. Locate these items where they will not damage the door seal or cause personal injury.
- Do not tamper with the controls.
- Under certain conditions hydrogen gas may be produced in a hot water system that has not been used for two weeks or more. Hydrogen gas is explosive. If the hot water system has not been used for a period of time, turn on all hot water faucets and let the water flow for several minutes to release any accumulated hydrogen gas. Do not smoke or use an open flame during this process.
- To prevent child entrapment, always remove the door from an old dishwasher when removing it from service.
- To prevent household mold and mildew damage, periodically check the inlet and drain hoses for leaks.
- If the dishwasher outlet is connected to a garbage disposal, make sure the disposal is completely empty before running the dishwasher.
- To avoid damage to the racks, do not let sharp edges come into contact with them.
- This appliance is designed for installation by more than one person. To avoid personal injury, do not attempt to move or lift the dishwasher without assistance.
- To prevent personal injury and damage to the unit due to it tipping over, do not push down on the door anytime it is open. To reduce the chance of tipping, attach the anti-tip brackets to the cabinet before operation.
- The customer should not install, repair or replace any part of the dishwasher unless specifically recommended in the literature accompanying it. A qualified service technician should perform all other service. Contact the nearest Dacor authorized service representative for examination, repair or adjustment.

Product Specifications

Dimensions

Tolerances: +1/16", -0, (+1.6 mm, -0) unless otherwise stated

Model ED30 shown. Door style varies with model number.



Technical

Water Pressure	20 to 120 psi (138 - 827 kPa)
Water Temperature	120 °F, minimum
Electrical Circuit Requirements	15 Amp. 120 Vac, 60 Hz dedicated, grounded, circuit.
Total Connected Load	12 Amp. @ 120 Vac, 60 Hz.**

** For reference only. For exact specifications see the product data label located inside the left door jamb.

Preparing for Installation

⚠ WARNING

Observe all governing codes and ordinances during planning and installation. Contact your local building department for further information.

IMPORTANT: Follow all cabinet and countertop minimum dimensions shown below to insure safe operation.

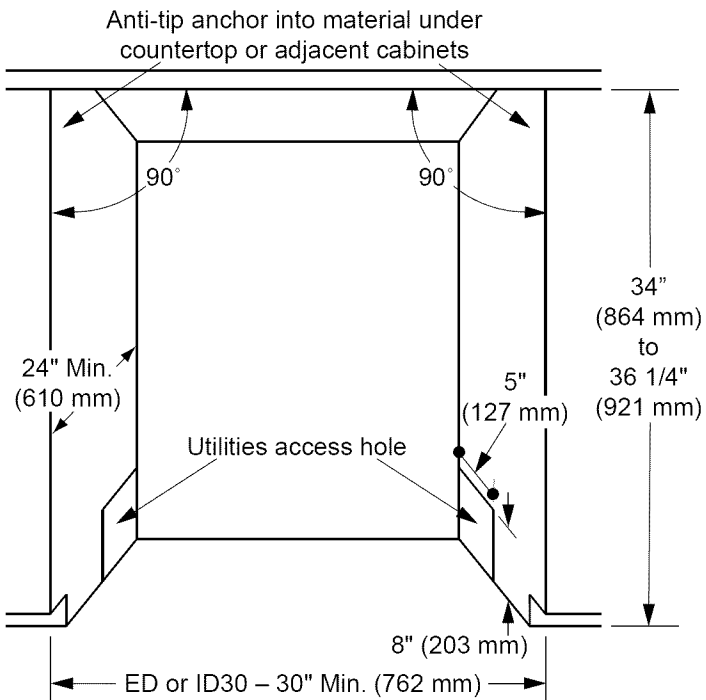
Prepare the installation location as shown below. All minimum product dimensions must be met or exceeded (see page 3). Dimensions shown provide minimum clearances, unless otherwise noted.

Preparing the Location

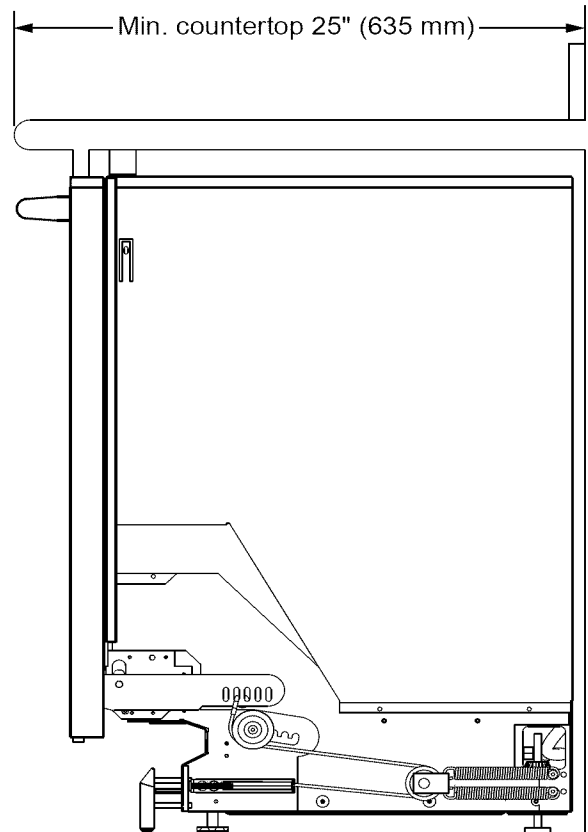
Carefully check the location where the dishwasher is to be installed. Put it in a location with convenient access. Make certain that electrical power can be provided in the selected location.

Plan the installation so that the appliance can be removed if service is required.

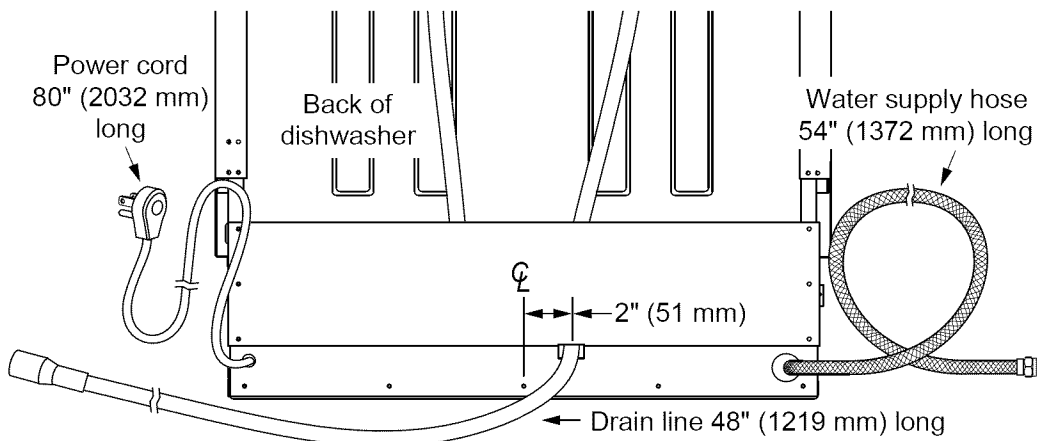
The floor must be solid, level and all cut-out surfaces must be at right angles. The dishwasher must be secured to the adjacent cabinets using the anti-tip brackets for safety and proper operation.



CUT-OUT FRONT VIEW



CABINET INSTALLATION SIDE VIEW



UTILITY CONNECTIONS

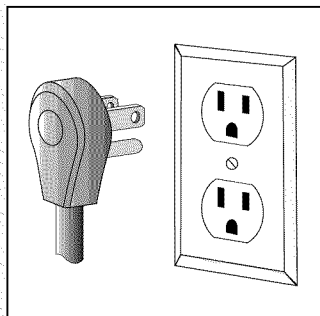
Preparing for Installation

Electrical Specifications

WARNING

- The electrical outlet for the dishwasher should be installed only by a licensed electrician.
- This appliance is equipped with a three prong grounding plug for your protection against possible electric shock hazards. If only a two prong outlet is available, it is the customer's responsibility to have it replaced with a dedicated, grounded three prong electrical outlet by a licensed electrician. **Do not under any circumstances:**

- ◇ Cut or remove the third (ground) prong from the power cord.
- ◇ Use an adapter plug.
- ◇ Use an extension cord.
- ◇ Use a power cord that is frayed or damaged.



Electrical Specifications

The electrical installation, including minimum supply wire size and grounding, must be in accordance with the National Electric code ANSI/NFPA* (or latest revision) and local codes and ordinances.

*A copy of this standard may be obtained from:

National Fire Protection Association
1 Batterymarch Park
Quincy, Massachusetts 02269-9101

The electrical outlet for this appliance must be:

- Connected to a grounded, dedicated 120 Vac, 60 Hz circuit protected by a 15 Amp. circuit breaker or time delay fuse. It is the owner's responsibility to ensure that the electrical outlet for this appliance is installed by a licensed electrician.
- Located to the right or left of the cutout, in an adjacent cabinet, so that the power plug can be disconnected without removing the dishwasher.

Install the Plumbing

- The water pressure must be between 20 and 120 psi (138-827 kPa). The household hot water heater must supply a minimum of 120 °F water to the dishwasher location for best results.
- Install a valve for the hot water supply line where it is easily accessible after the dishwasher is installed. The dishwasher water inlet hose is equipped with a 3/8" (10 mm) compression fitting.
- Use the supplied flexible braided water line to connect between the dishwasher hot water inlet and the hot water supply valve. Make sure it is long enough to reach when the unit is removed from the cabinet for repair.

Planning the Drain

IMPORTANT: A drain hose is supplied with the product (see above). Should a longer drain hose be required, use a hose approved for detergents and high temperature water. The drain hose supplied with the dishwasher meets an AHAM DW-1 test standard. Longer drain hoses should not be longer than a total of 12 ft. in length.

- You must install an air gap in the drain if the drain hose is connected to household plumbing lower than 20 in. (508 mm) from the floor or if required by local codes. Plan for the air gap in the sink or countertop area adjacent to the dishwasher. A section of drain hose (not provided) needs to be installed from the air gap to the disposal or waste tee.
- If an air gap is not required, the drain hose must be installed to an inlet or waste tee above the drain trap in the household plumbing.
- The drain hose supplied with the dishwasher should be connected to a minimum 1/2 in. I.D. drain connection.
- If the drain is connected to a disposal, see the disposal manufacturer's installation instructions for correct drain hose mounting techniques.

Installation Instructions

Verify the Package Contents

NOTE: Model ID30 ships without a front panel. It is designed for the installation of an integrated front panel that matches the surrounding cabinets.

- With the assistance of at least one person, remove the dishwasher from the shipping carton. Place the unit to the side of the cabinet opening.
- Remove all of the packing materials from inside and outside of the unit. **DO NOT** allow any of the shipping materials, loose screws or plastic to remain inside. Remove the racks. Set them aside for later installation.
- Unpack the parts box and verify that all required components have been provided. If any item is missing or damaged, please contact the dealer immediately. Do not install a damaged or incomplete appliance.

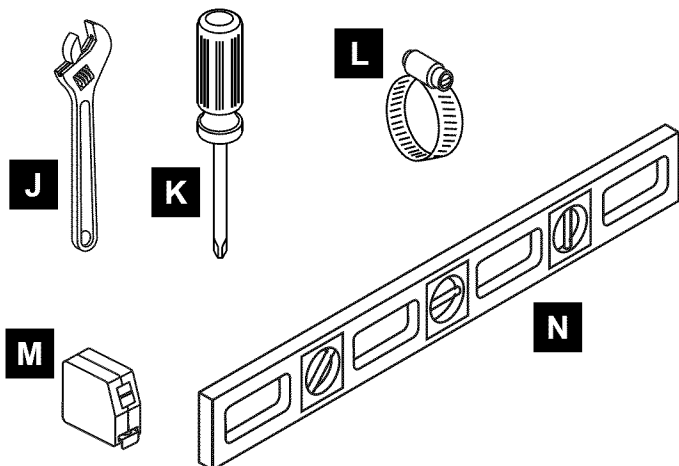
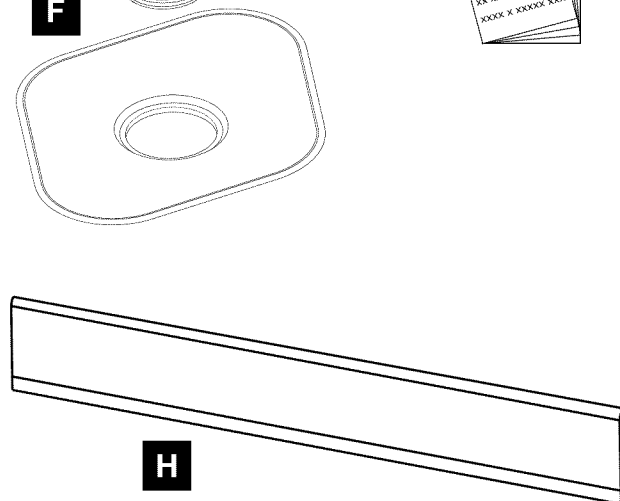
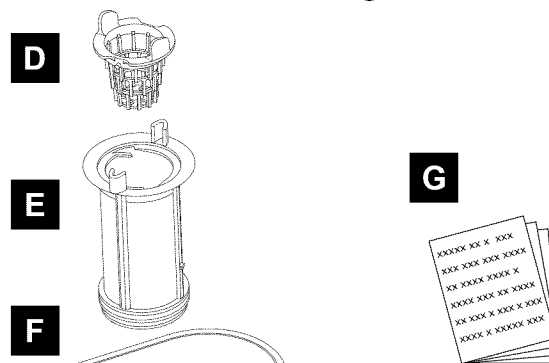
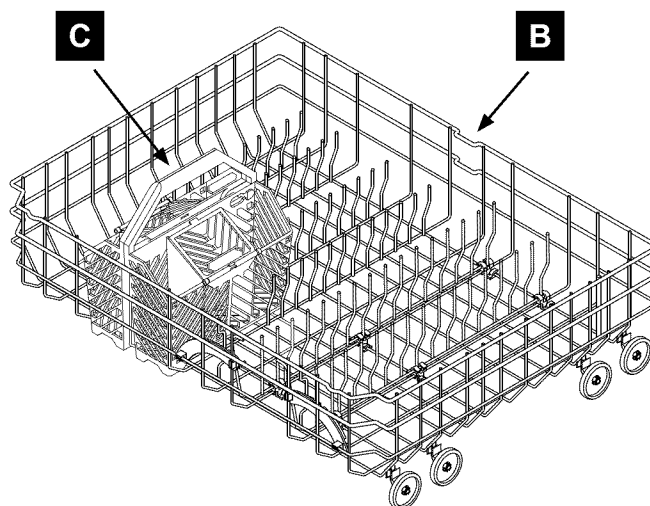
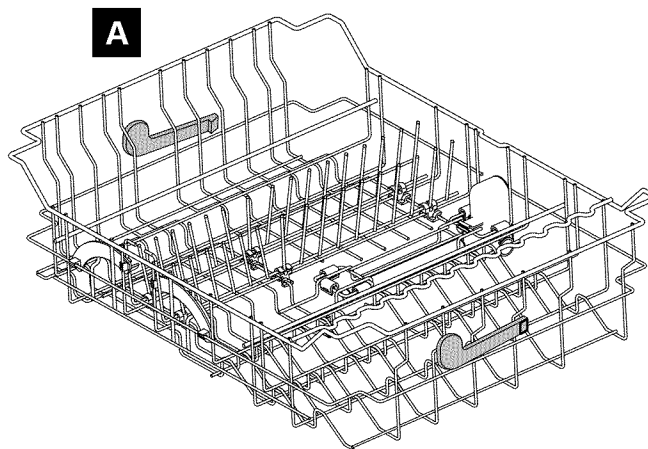
- A** Top rack
- B** Bottom rack
- C** Silverware basket
- D** Large particle filter
- E** Small particle filter
- F** Medium particle filter
- G** Product literature
- H** Toe kick

A bottle of Dacor® Stainless Steel Cleaner is also included with models having stainless steel doors.

Additional tools/materials required for installation:

- J** Crescent wrench
- K** Phillips head screwdriver
- L** Hose clamp (for 1 3/8" Dia. drain hose)
- M** Tape measure
- N** Level

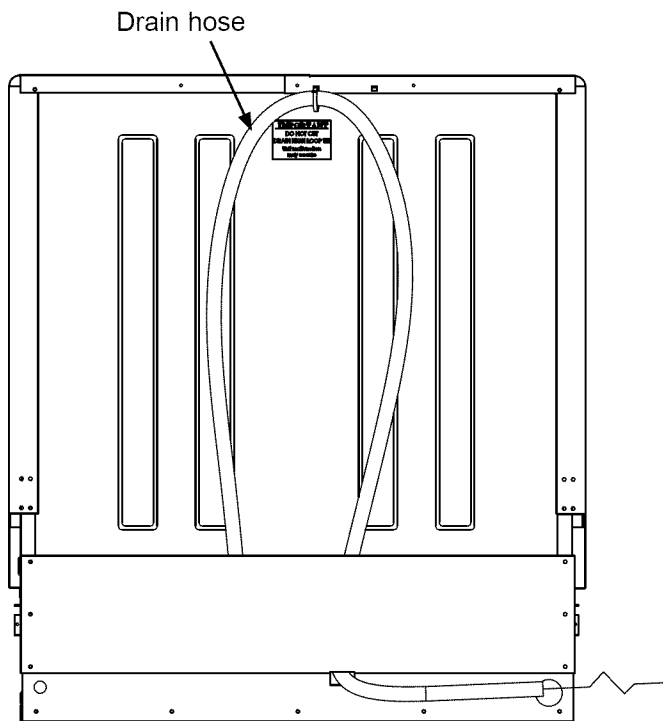
Make sure you have everything necessary for proper installation before proceeding.



Installation Instructions

WARNING

- Do not connect the electrical, water inlet or drain until instructed to do so in the **Verifying Proper Operation** section.
- Do not install the dishwasher unless the electrical service provided meets the **Electrical Specifications**.
- A qualified technician must complete the installation of this built-in appliance. The owner is responsible to make sure the dishwasher is properly installed.
- To avoid an electrical shock hazard, make sure the dishwasher power plug is disconnected before proceeding with the installation.
- Do not allow any material, including the hoses or electrical wiring to be directly behind the dishwasher while pushing it into the cut-out opening. Carefully pull the slack out of both hoses and the wire from outside the cut-out during push back to prevent pinching. An electric shock hazard or water damage may result from pinched wires or hoses. Damage due to improper installation is not covered under warranty.
- Keep the factory installed high loop drain hose in place to ensure proper dishwasher operation. Do not cut, tie, strap or lower it. If it is necessary to lengthen it, install an aftermarket drain extension kit, available at most home improvement stores.

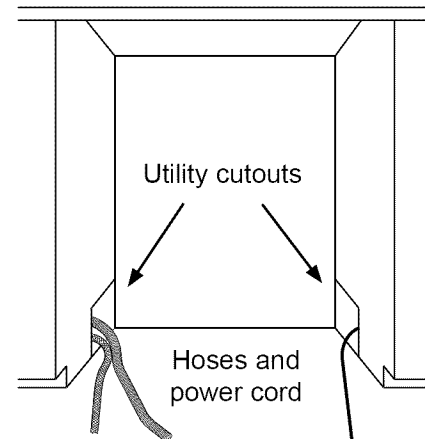


HIGH LOOP DRAIN HOSE

Installing the Unit in the Cabinet

Care should be exercised when the appliance is installed or removed, to reduce the likelihood of damage to the power cord or hoses.

1. With the assistance of at least one person, set the unit in front of the cut-out opening.
2. Feed the electrical cord, drain hose and water supply hose through the utility access hole(s) in the side(s) of the cabinet.



3. Slide the dishwasher back into the opening while pulling the hoses and electric cord through the utility cutouts in the cabinet from the back. Stop when the dishwasher contacts the back wall or aligns with the front cabinet opening.

Leveling the Dishwasher

CAUTION

- A level unit is very important to proper operation. Be sure to level the unit front to back and side to side.
- Do not use a power driver to adjust the rear leveling legs, doing so may damage the dishwasher.
- Do not over torque the leveling legs. Doing so will distort the dishwasher chassis leading to door alignment problems and possible water damage.
- To prevent damaging the dishwasher, adjust the leveling legs only 1/2" (13 mm) at a time, per leg.

To align the dishwasher correctly inside the cabinet opening, the legs must be adjusted to level the appliance. After centering the appliance in the opening, level the appliance by adjusting all four leveling legs.

1. To verify front to back level, remove the lower rack from the dishwasher and place a level on the tank side wall rack guides.
2. To verify left to right level, place a level on the tank lower front frame.

Continued...

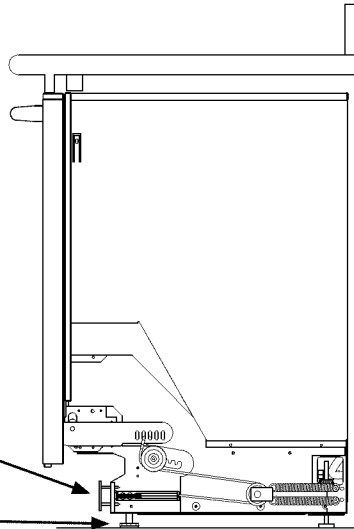
Installation Instructions

Leveling the Dishwasher (Continued)

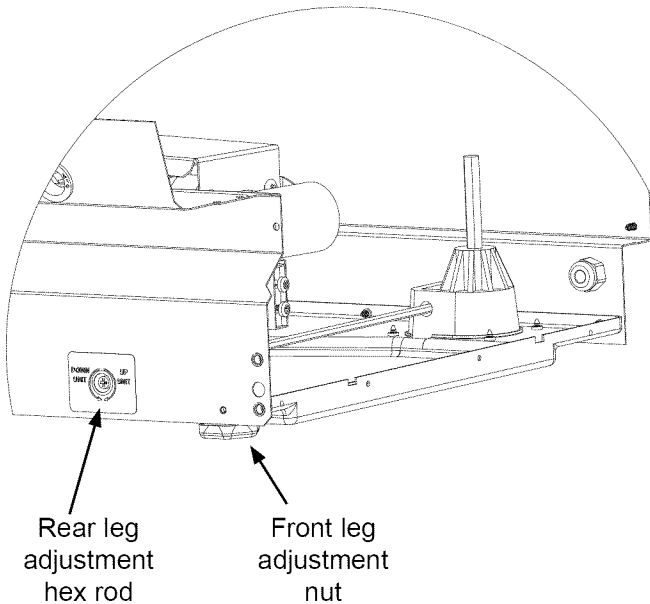
- Remove the toe kick mounting plate to expose the front legs. To adjust the front leveling legs, place a wrench on the top of each leg and adjust where the top of the dishwasher tank front trim is flush with the lower edge of the countertop.

Toe kick mounting plate
(pull out to remove)

Front leg



- To adjust the rear leveling legs, rotate the #2 Phillips drive shafts, located at the toe-kick, to level the dishwasher from front to back and left to right.



It is important to level the dishwasher from left to right and front to back. Shimming may be required on extremely uneven flooring materials. If shims are needed, place the shim(s) under the adjustable legs.

IMPORTANT:

- Do not reinstall the toe kick mounting plate until the installation is inspected for leaks (see page 11).
- Make sure to anchor at least one anti-tip bracket on each side of the dishwasher.
- The anchoring material must be no more than 1/4" (6 mm) from the anti-tip bracket.

Attaching the Anti-Tip Brackets

CAUTION

- Make sure to anchor at least one anti-tip bracket on each side of the dishwasher.
- The anchoring material must be no more than 1/4" (6 mm) from the anti-tip bracket.
- To prevent leaks, square the dishwasher in the cutout. When attaching the anti-tip brackets make sure the tub and frame are not skewed so that the tub gasket contacts the door liner fully all the way around the door.

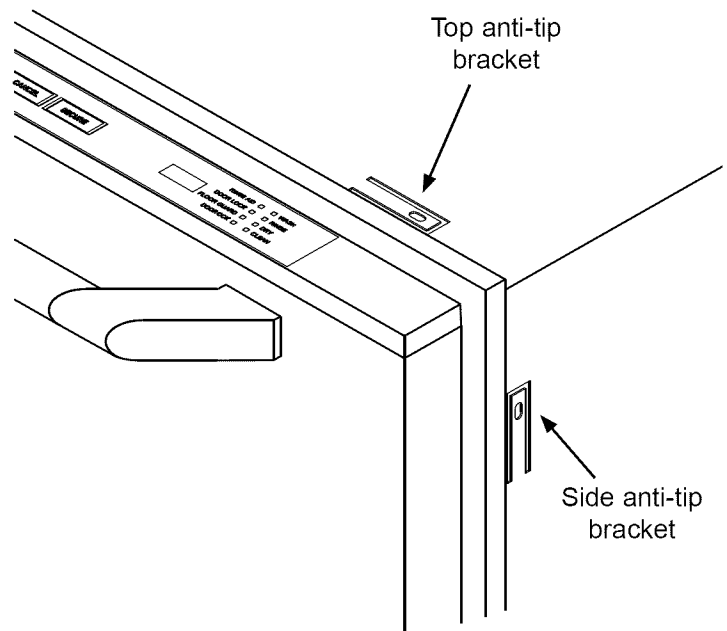
- The anti-tip brackets protect against possible tipping caused by heavy bottom rack loads on the door. There are anti-tip mounting locations provided around the top and sides of the dishwasher front frame.

To attach the anti-tip bracket anchors:

- Insert the anchoring screws through the 1/2" diameter access holes inside the dishwashing compartment on the ceiling and the sides, near the front. Make sure that the anchoring screws pass through the anti-tip brackets located on the outside of the dishwasher.

Alternate method:

- Insert the anchoring screw through the 1/2" diameter tank access hole. Make sure that the anchoring screw passes through the anti-tip bracket located on the outside of the dishwasher.



Squaring up the installation:

- Check to make sure the dishwasher is square in the cutout by observing the door to tub alignment on each side. Readjust the top or bottom of the unit as needed to square up the unit.

Installation Instructions

Cabinet Panel Installation

(Model ID30 Only)

CAUTION

- To prevent corrosion and the possibility of the panel falling off, use only stainless steel screws to attach.
- The provided mounting screws are designed for panels with a thickness of 5/8" to 3/4". Smaller panels may require different mounting hardware to prevent damage to the outside surface.
- Failure to construct the custom panel and/or toe kick as instructed on the template may result an improper fit and may prevent the door from closing properly.

- See the included **Custom Panel Installation Template** (Dacor PN 100394) for complete installation instructions and dimensions of the custom panel and if desired, a custom toe kick. If the custom cabinet panel requires decorative door hardware, mount the hardware on the panel before proceeding to the next step. For proper door spring operation, the maximum door panel weight, including hardware, is 16 lbs. (7.3 kg).

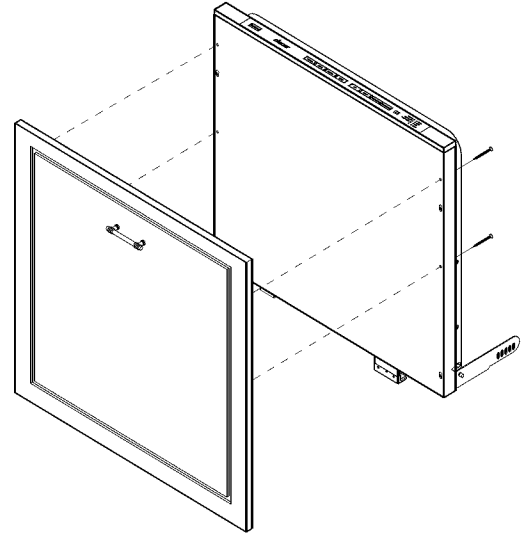
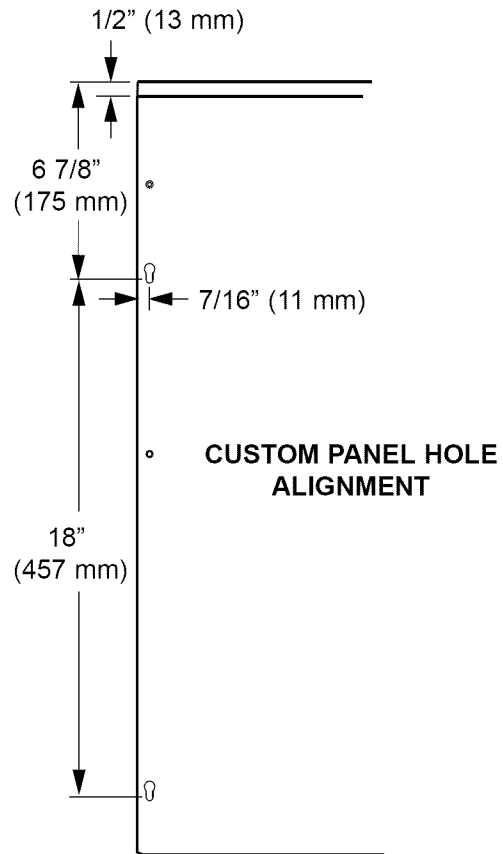
NOTE: Do not install the toe kick until the dishwasher is completely installed and checked for leaks.

NOMINAL CUSTOM PANEL DIMENSIONS FOR ID30

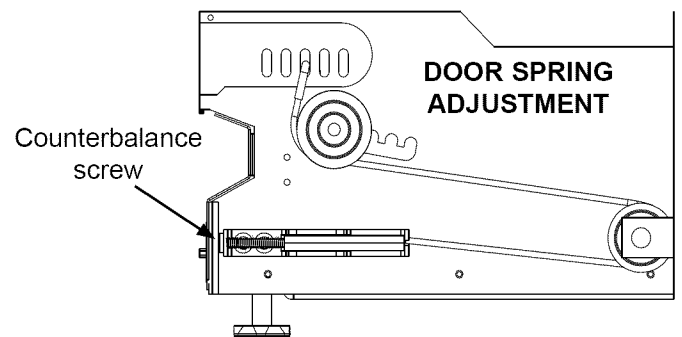
WIDTH	MAXIMUM HEIGHT*	MAXIMUM THICKNESS
29 7/8" (606 mm)	30" (762 mm)	3/4" (19 mm)

* Dimension without installation of a custom toe kick. See included template for further details.

- With the door closed, align the custom panel flush with the control panel bezel and center it on the door front frame. Utilize the keyholes to hold the panel.
- Align the cabinet panel and, using padded clamps, clamp the cabinet panel to the dishwasher front. Slowly lower the door and panel to it's full open position. Attach it to the dishwasher door front utilizing the four (4) mounting holes. Four (4) #10 stainless steel flat head screws are provided for installation of decorative panels with a thickness of 5/8" to 3/4". The four mounting holes are located on the inside of the door frame. Two holes are near the top of the door panel. Two other holes are approximately half way down the door panel.
- If the door springs do not work properly due to the weight of the panel, adjust the door counterbalance. The counterbalance adjustment screws are located on the far right side and far left side of the chassis below the door.



CUSTOM PANEL INSTALLATION



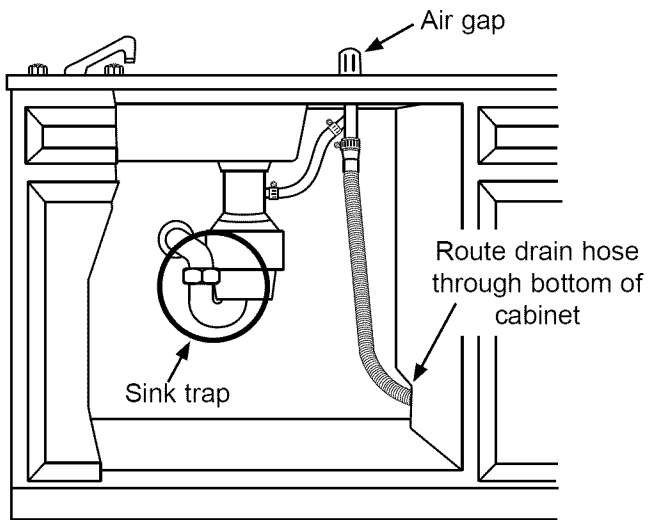
Installation Instructions

Plumbing Connections

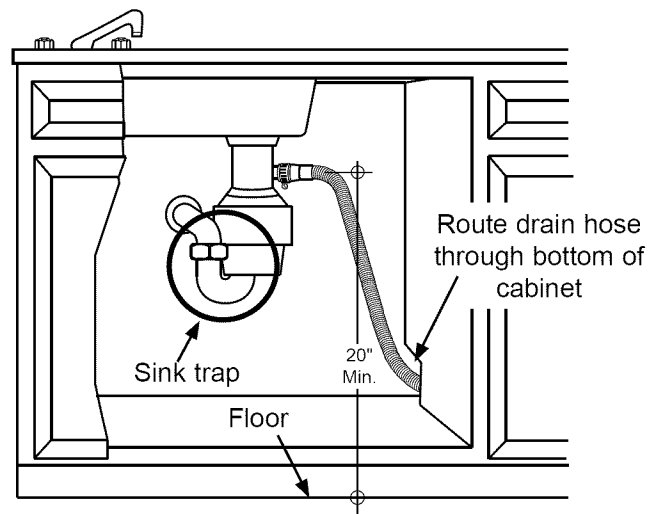
WARNING

- For proper dishwasher operation and drainage, the drain line must be routed through the bottom of the cabinet and up to the drain or air gap connection. The drain hose or air gap outlet must connect above the sink trap.
- If used, an air gap must be installed at countertop level.

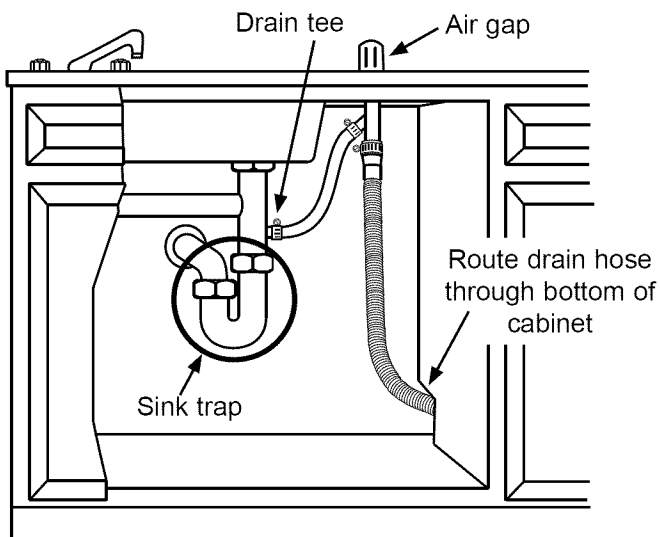
1. Connect the water supply hose from the dishwasher to the hot water supply valve.
2. Connect the flexible drain line to the air gap or directly to the drain tee or disposal above the sink trap as shown below.
3. Tighten the holding clamp. For installations with an air gap, check to make sure the drain line from the air gap to the disposal/drain tee is connected and tight on both ends.



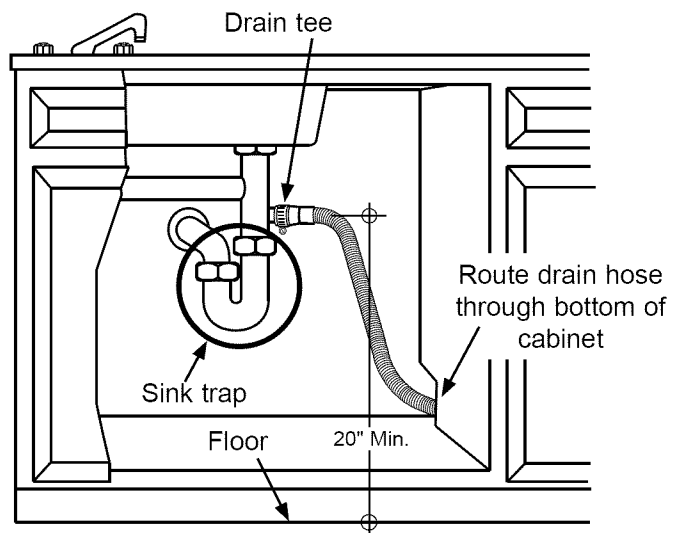
INSTALLATION WITH AIR GAP AND DISPOSAL



DISPOSAL INSTALLATION WITHOUT AIR GAP



INSTALLATION WITH AIR GAP AND WASTE TEE



WASTE TEE INSTALLATION WITHOUT AIR GAP

Installation Instructions

Verifying Proper Operation

WARNING

- To ensure a safe and proper installation, the following checklist should be completed by the installer to ensure that no part of the installation has been overlooked and the unit is working properly.
- Proper installation is the responsibility of the homeowner. The importance of proper installation of your Dacor dishwasher cannot be overemphasized.

Pre-verification Check List

- Make sure the power plug is disconnected.
- Remove all packing material from inside the dishwasher.
- Check the orientation of the bottom door seal. The seal "bulb" should be facing into the tank. If it is oriented towards the exterior of the door, open the dishwasher door fully and orientate the door seal so that it is facing into the tank.
- Familiarize yourself with operation of the dishwasher by reading the use and care manual.
- Remove any protective film, if present from the control panel, door panel, etc.
- Verify that all wiring is secure and is not being pinched or in contact with door springs or any other dishwasher components.
- Verify that the dishwasher is level by pulling the lower rack half way out. Let go of the rack and make sure it does not roll in or out. If it does, re-level the dishwasher.
- Add two quarts of water to the bottom of the dishwasher to lubricate the pump seal.
- Turn on the water supply and check for plumbing leaks. Tighten connections if necessary.
- Verify that the door springs do not come in contact with any dishwasher components.
- Verify the hot water temperature by turning on the hot water faucet at the sink. The water going to the dishwasher must be between 120 °F and 150 °F.

Wet Test Check List

- Plug in the dishwasher power cord.
- Program the dishwasher to run a short wash. See the use and care manual for specific operating instructions.
- Close the door completely.

- You should hear the dishwasher drain and then begin to fill with water. Wait approximately two (2) minutes, then carefully open the door to verify water is filling the dishwasher tank. If there is water present, close the door and continue the process. Should the water not fill the tank or the pump is not running, immediately push the **START/STOP** button to stop the dishwasher. Verify that the water supply valve is turned on, power is connected, and that main power supply is on.
- Check for leaks under the dishwasher. If any leaks are found, immediately push the **START/STOP** button and disconnect power. Tighten the water supply connections. Reconnect power and restart the cycle.
- Check for leaks around the door. A leak around the door could be caused by the dishwasher door rubbing or hitting against adjacent cabinets. Disconnect power and reposition and/or re-square the dishwasher if necessary. Restart the unit after repositioning.
- The dishwasher will drain after the first fill. Check the drain line for leaks. If leaks are found, immediately push the **START/STOP** button and disconnect the power plug. Tighten the drain connections. Reconnect power and restart the cycle.
- Open the dishwasher door and verify that most of the water has drained. If not, verify that the disposer plug has been removed and/or the air gap is not plugged.
- Run the dishwasher through another fill and drain cycle. Verify that there are no leaks.
- If the dishwasher does not operate correctly, see the instructions below.
- If the fill, wash and drain cycles operate properly, reinstall the toe kick mounting plate. Adjust the toe kick to cover legs and snap it into place on the toe kick mounting plate. See page 12 for instructions.
- Activate the warranty on-line or fill out the warranty card and mail it.

If the dishwasher fails to operate properly:

- Verify that power is supplied to the dishwasher.
- Check all plumbing connections.
- Repeat the above test.
- If the appliance still does not work, contact Dacor Distinctive Service at (877) 337-3226. Do not attempt to repair the appliance yourself. If you need service, be sure to have the model and serial numbers available when you call. See the inside cover for location.

Dacor is not responsible for the cost of correcting problems caused by a faulty installation.

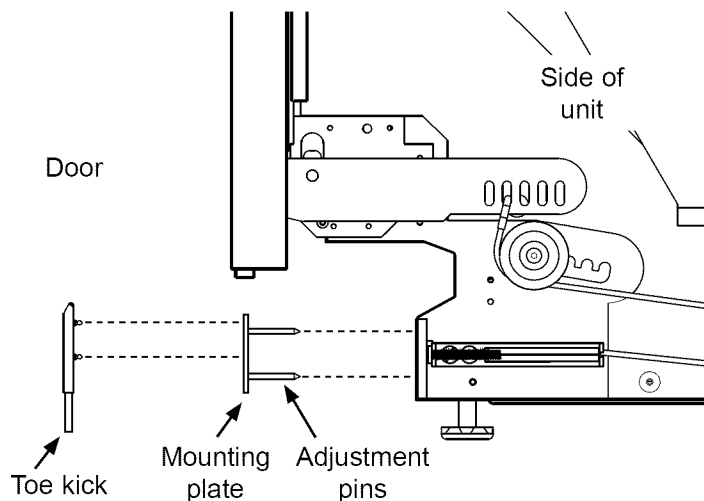
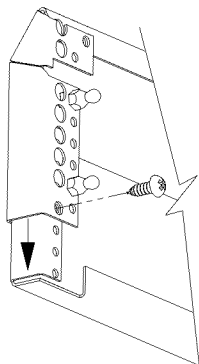
Installation Instructions

Toe Kick Installation

Adjusting and Installing the Included Toe Kick

The the height and depth of the included toe kick are adjustable.

1. Adjust the toe kick height. The typical toe kick height is 4" high. For other than a typical installations, remove the rear assembly screws that hold the two toe kick sections together. Adjust the toe kick sections to match your desired toe kick height and reinstall the assembly screws.
2. Snap the toe kick into the toe kick mounting plate.
3. Install the entire toe kick assembly by inserting the depth adjustment pins into the chassis and pushing straight back on both sides until the front of the toe kick aligns with the adjacent cabinet toe kick.



Installing a Custom Toe Kick (Model ID30)

See the Custom Panel Installation Template (Dacor PN 100394) for complete installation instructions of a custom toe kick panel. Use the included stainless steel toe kick as a mounting surface.

1. Apply high tack double stick tape to the front of the stainless steel toe kick.
2. Attach the custom toe kick to the stainless steel toe kick. If necessary, screw holes are provided through the front of the toe kick for material purposes.
3. Snap the toe kick assembly into the toe kick mounting plate.
4. Install the entire toe kick assembly by inserting the depth adjustment pins into the chassis and pushing straight back on both sides until the front of the toe kick aligns with the adjacent cabinet toe kick.

dacor[®]
The Life of the Kitchen.[®]

Dacor • Phone: (800) 793-0093 • FAX: (626) 403-3130 • www.Dacor.com