



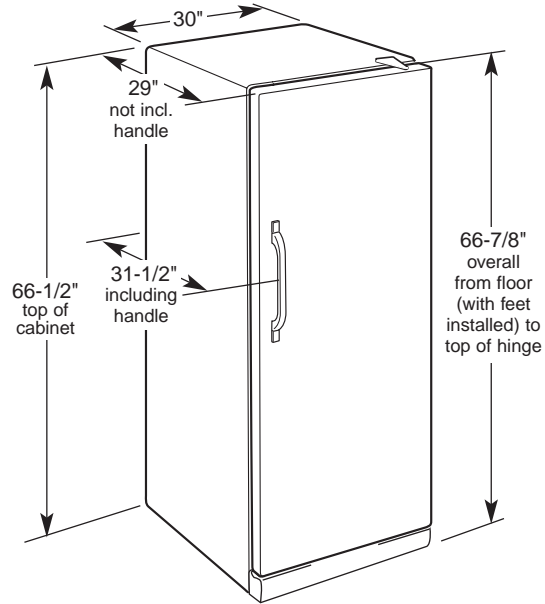
Convertible Refrigerator/Freezer

PRODUCT MODEL NUMBERS

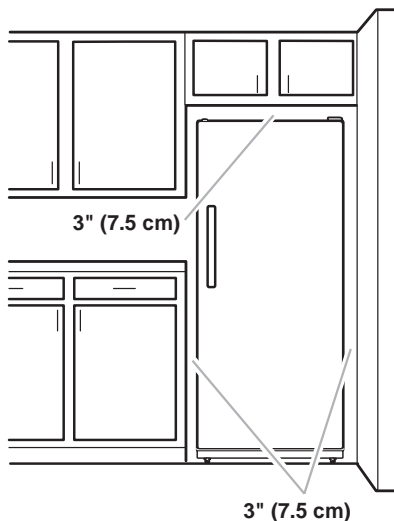
EL7JWKLM

Electrical: A 115 Volt, 60 Hz., AC only 15 or 20 ampere fused (or circuit breaker), grounded electrical supply is required. It is recommended that a separate circuit serving only your convertible refrigerator/freezer be provided. Use an outlet that cannot be turned off by a switch. Do not use an extension cord.

OVERALL DIMENSIONS



LOCATION REQUIREMENTS



Allow at least 3 in. (7.5 cm) of air space at the top and on both sides of the convertible refrigerator/freezer and 1 in. (2.5 cm) between the back of the convertible refrigerator/freezer and the wall. If the convertible refrigerator/freezer is to be against a wall, leave extra space on the hinge side so the door can open wider.

NOTE: This convertible refrigerator/freezer may be installed side by side with another refrigerator/freezer. Allow for a 3 in. (7.5 cm) clearance at the top and sides and a 1/4 in. (0.64 cm) clearance between the appliances.

IMPORTANT: Do not install the convertible/freezer near an oven, radiator, or other heat source, nor in a location where the temperature will fall below 40°F (5°C).