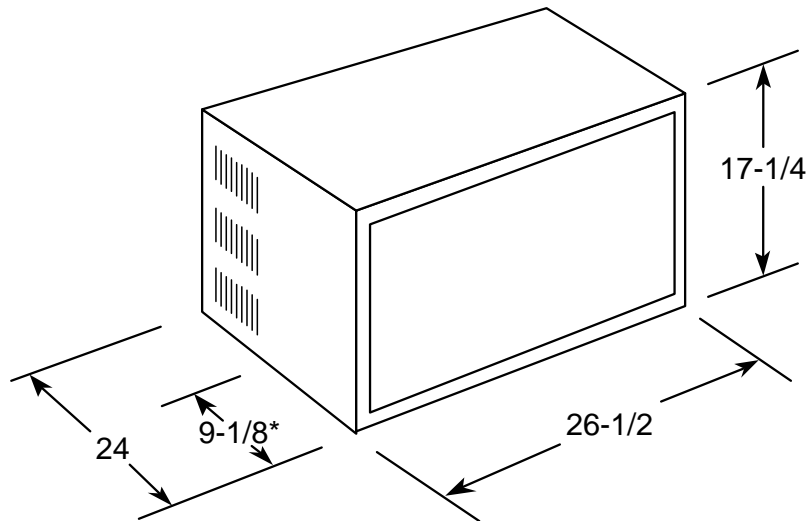




GE Appliances

AVM18DC - GE Deluxe 230 Volt Room Air Conditioner

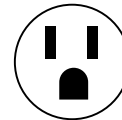
Wall Case Dimensions (in inches)



*Distance from front of case to side louvers (excluding grille).

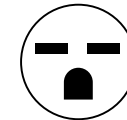
Note: When installing units in through-the-wall applications, keep louvers free. Do not restrict air flow areas.

Parallel



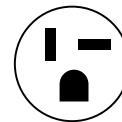
115V
15 Amp

Tandem



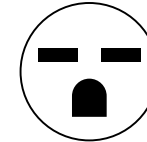
230/208V
15 Amp

Perpendicular



230/208V
20 Amp

Large Tandem



230/208V
30 Amp

Wall Outlets: All wiring including installation of receptacle must be made in accordance with local electrical codes and regulations. Electrical outlet should be in reach of line cord.

Note: Aluminum wiring may pose special problems—consult a qualified electrician.

For answers to your Monogram®,
GE Profile Performance Series™,
GE Profile™ or GE appliance questions, call
GE Answer Center® service, 800.626.2000.



Total capacity and E.E.R. ratings are calculated based on the Association of Home Appliance Manufacturers' standards.

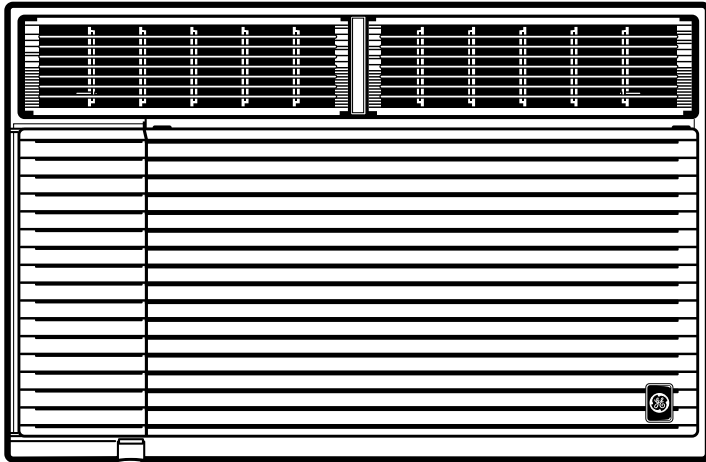


Listed by
Underwriters
Laboratories



GE Appliances

AVM18DC - GE Deluxe 230 Volt Room Air Conditioner



Features and Benefits

- Contemporary White Front
- 18,000/17,500 BTUH / 9.5/9.5 E.E.R. / 230/208 Volts
- 10-Position Thermostat
- 2 Cooling / 2 Fan Only Speeds
- 1,890/1,840 Watts / 7.9/8.5 Amps
- 5.5 Dehumidification (pints/hr)
- 450 CFM
- Slide-Out Chassis
- Hidden Controls Panels Provide a Clean, Contemporary Appearance
- Energy Saver Switch for Reduced Energy Consumption (2 Speeds)
- Easy Access Rigid Frame, Slide-Out Filter
- Exhaust for Air Exchange
- Plug Type - Tandem
- EZ Mount Window Installation
- Model AVM18DC-White