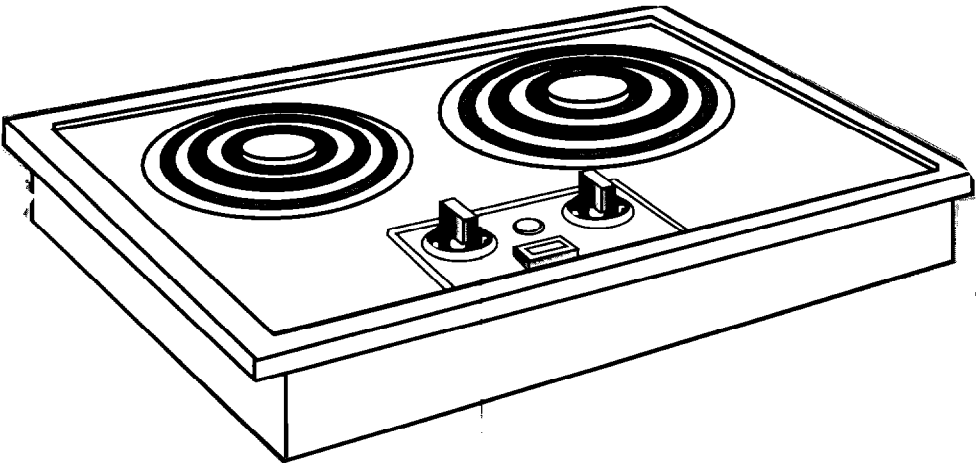


# Installation Instructions



Part No. 36-307967-02-0/4363131 Rev. C

**IMPORTANT:**  
Read and save  
these instructions.

## 20" Electric Cooktop

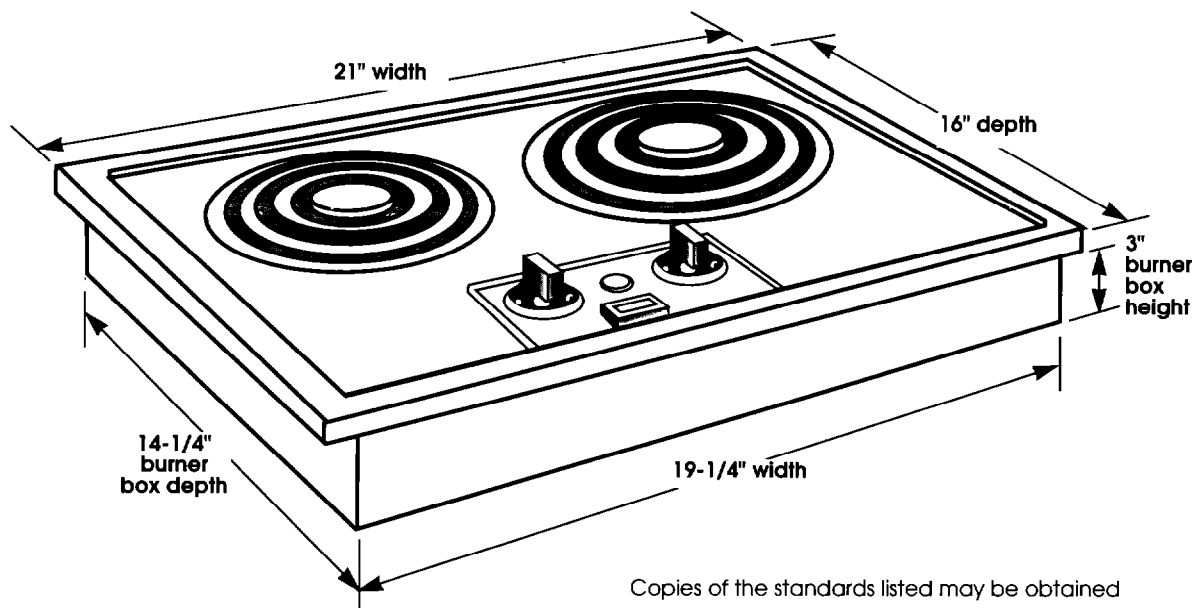
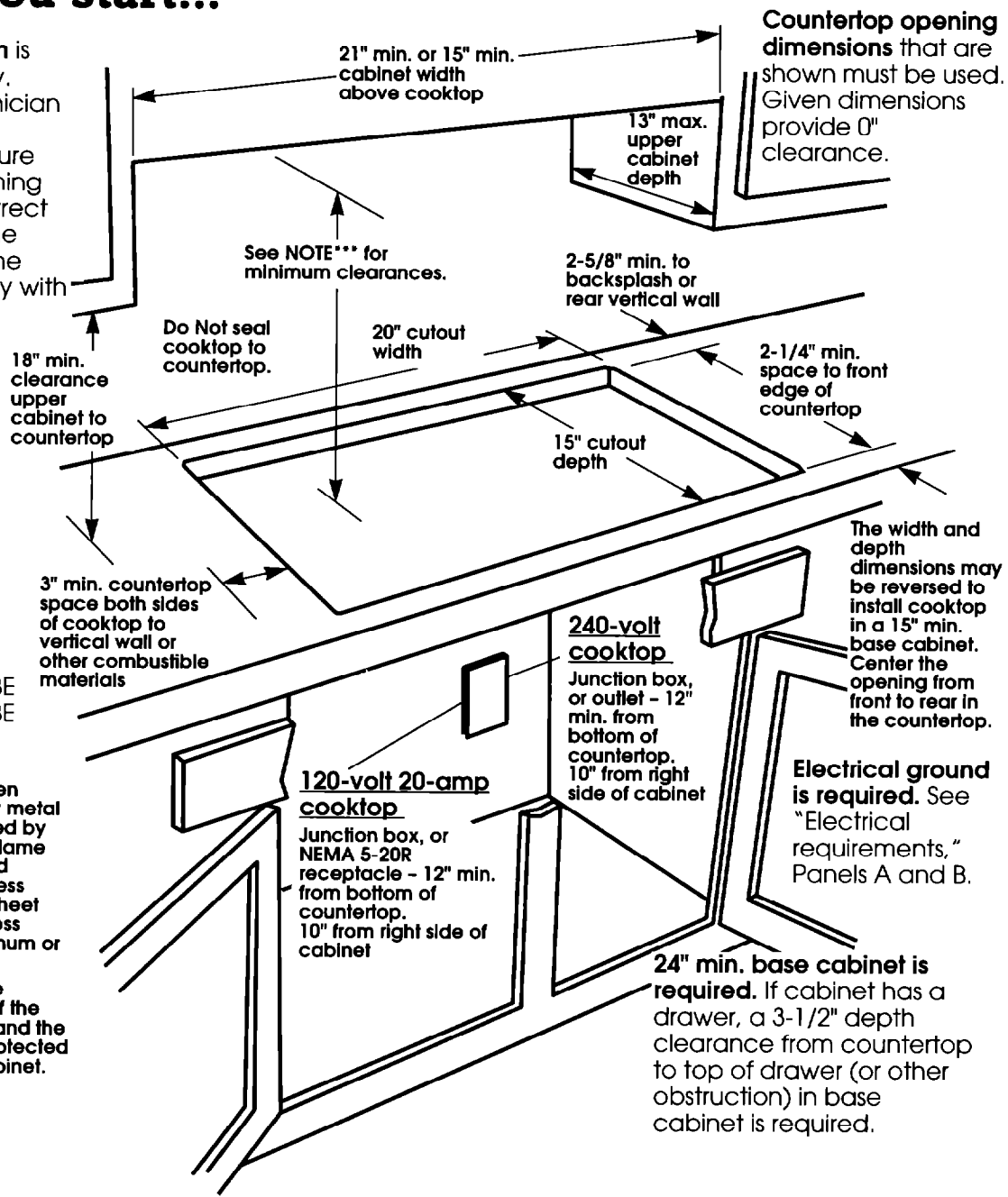
**IMPORTANT:**  
**Installer:** Leave Installation Instructions with the Homeowner.  
**Homeowner:** Keep Installation Instructions for future reference.  
**Save** Installation Instructions for local electrical inspector's use.

# Before you start...

Proper installation is your responsibility. A qualified technician should install this cooktop. Make sure you have everything necessary for correct installation. It is the responsibility of the installer to comply with the installation clearances specified on the model/serial rating plate. The model/serial rating plate is located on the bottom of the burner box.

ALL OPENINGS IN THE WALL OR FLOOR WHERE COOKTOP IS TO BE INSTALLED MUST BE SEALED.

\*\*\* NOTE: 24" min. when bottom of wood or metal cabinet is protected by not less than 1/4" flame retardant millboard covered with not less than No. 28 MSG sheet steel, 0.015" stainless steel, 0.024" aluminum or 0.020" copper.  
30" min. clearance between the top of the cooking platform and the bottom of an unprotected wood or metal cabinet.



Copies of the standards listed may be obtained from:  
 \* National Fire Protection Association  
 Batterymarch Park  
 Quincy Massachusetts 02269  
 \*\* Canadian Standard Association  
 178 Rexdale Boulevard  
 Etobicoke (Toronto), Ontario M9W 1R3

**Your safety and the safety of others is very important.**

We have provided many important safety messages in this manual and on your appliance. Always read and obey all safety messages.

This is the safety alert symbol. This symbol alerts you to hazards that can kill or hurt you and others. All safety messages will be preceded by the safety alert symbol and the word "DANGER" or "WARNING". These words mean:

**DANGER**  
 You will be killed or seriously injured if you don't follow instructions.

**WARNING**  
 You can be killed or seriously injured if you don't follow instructions.

All safety messages will identify the hazard, tell you how to reduce the chance of injury, and tell you what can happen if the instructions are not followed.

**Grounded electrical connection** is required. See "Electrical requirements."  
**It is the customer's responsibility:**

- To contact a qualified electrical installer.
- To assure that electrical installation is adequate and in conformance with National Electrical Code, ANSI/NFPA 70 — latest edition\*, or Canadian Electrical Code, C22.1 -1982 and C22.2 No. 01982 (or latest edition)\*\* and all local codes and ordinances.

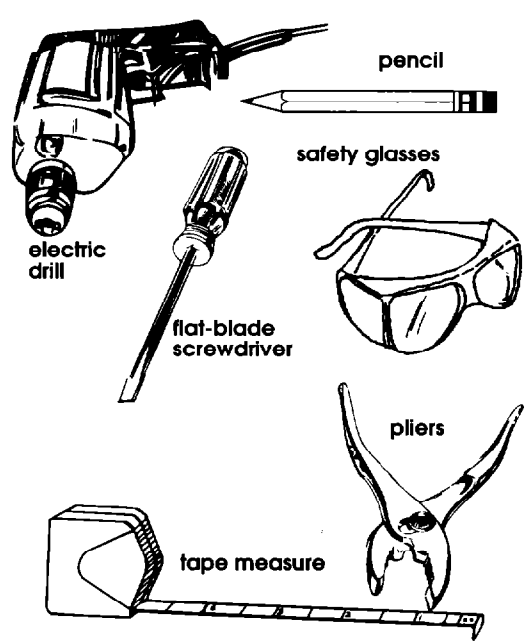
When installing a cooktop under existing cabinets and the installation does not meet the minimum cabinet clearances, install a range hood above the cooktop to avoid burn hazards.

**Important: Observe all governing codes and ordinances. Failure to meet codes and ordinances could lead to fire or electrical shock.**

**Mobile home installation**  
 The installation of this cooktop must conform to the Manufactured Home Construction and Safety Standards, Title 24 CFR, Part 3280 (formerly the Federal Standard for Mobile Home Construction and Safety, Title 24, HUD Part 280) or when such standard is not applicable, the Standard for Manufactured Home Installation 1982 (Manufactured Home Sites, Communities and Setups), ANSI A225.1 — latest edition, or with local codes.

A four-wire power supply cord must be used in a mobile home installation. The appliance wiring will need to be revised. See "Electrical requirements."

## Tools needed for installation:



## Electrical requirements

**WARNING**

**Electrical Shock Hazard**  
 Electrically ground cooktop.  
 Failure to follow this instruction could result in death, fire, or electrical shock.

If codes permit and a separate ground wire is used, it is recommended that a qualified electrician determine that the ground path is adequate.  
 Do Not ground to a gas pipe.  
 Check with a qualified electrician if you are not sure the cooktop is properly grounded.  
 Do Not have a fuse in the neutral or ground circuit.  
**IMPORTANT: Save Installation Instructions for electrical inspector's use.**

**120-volt cooktop**  
 A 120-volt, 60-Hz, AC-only, 20-ampere, fused electrical supply is required. (Time-delay fuse or circuit breaker is recommended.) It is recommended that a separate circuit serving only this appliance be provided.

**208/240-volt cooktop**  
 (Power supply cable attached.)  
**A.** A three-wire, single phase, 240-volt, 60-Hz, AC-only electrical supply is required on a separate 20-ampere circuit, fused on both sides of the line. Time-delay fuse or circuit breaker is recommended. The fuse size must not exceed the circuit rating of the appliance specified on the model/serial rating plate located on the bottom of the burner box.

**B.** THE COOKTOP MUST BE CONNECTED WITH COPPER WIRE ONLY. DO NOT USE ALUMINUM WIRE.

**C.** Wire sizes and connections must conform to the requirements of the National Electrical Code, ANSI/NFPA 70 — latest edition\*, or Canadian Electrical Code, C22.1 — 1982 and C22.2 No. 01982 (or latest edition)\*\* and all local codes and ordinances. Wire sizes and connections must conform with the rating of the appliance.

Copies of the standards listed may be obtained from:

\* National Fire Protection Association  
Batterymarch Park  
Quincy Massachusetts 02269

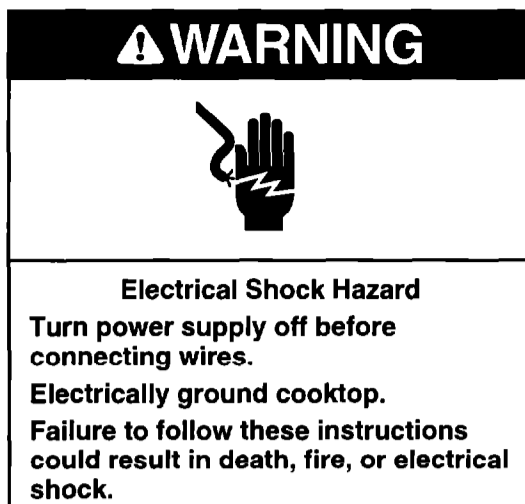
\*\* Canadian Standard Association  
178 Rexdale Boulevard  
Etobicoke (Toronto), Ontario M9W 1R3

**D.** The flexible armored cable extending from the appliance should be connected directly to the junction box. The appliance should be connected to the fused disconnect (or circuit breaker) box through flexible armored or non-metallic sheathed copper cable.

**E.** Locate the junction box to allow as much slack in the line as possible between the junction box and appliance so that the cooktop can be moved if servicing is ever necessary. Do not cut the conduit.

**F.** A U.L.-listed 1/2" conduit connector must be provided at the junction box.

## Electrical connection



This cooktop must be connected to a grounded, metallic permanent wiring system or a ground connector should be connected to the ground terminal or wire lead on the cooktop.

This cooktop is manufactured with a frame-connected, green or bare ground wire.

Connect the appliance cable to the junction box through a U.L.-listed conduit connector.

Complete electrical connection according to local codes and ordinances.

### 120-volt power supply cable

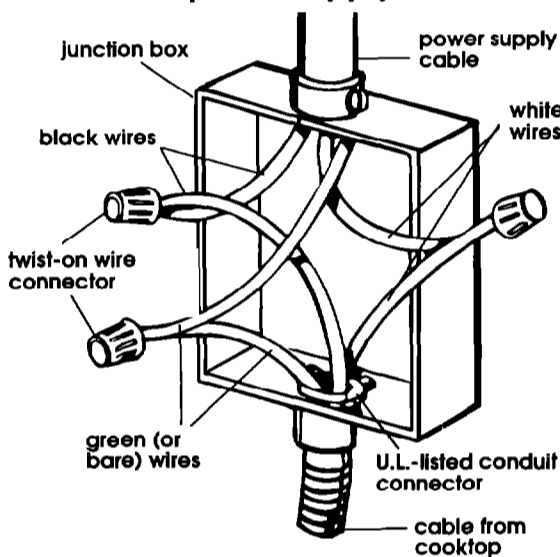
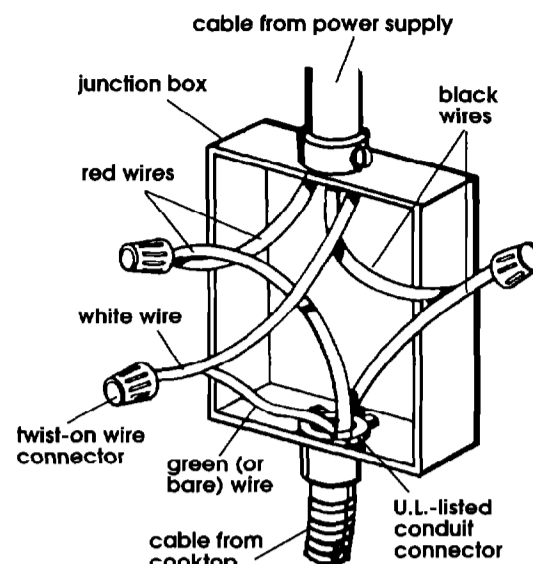


Figure 1

1. Disconnect the power supply.
2. Connect the flexible armored cable that extends from the cooktop to the junction box using a U.L.-listed conduit connector. Tighten the screws on the conduit connector.
3. Connect the two black wires together; then connect the two white wires together with twist-on wire connectors. (See Figure 1.)
4. Connect the bare or green grounding wires together with twist-on wire connector. Or connect the green or bare wire from the cooktop to an adequate ground.

### 208/240-volt power supply cable

**A.** Where local codes permit... connecting the frame-ground conductor to the neutral (white) junction box wire:

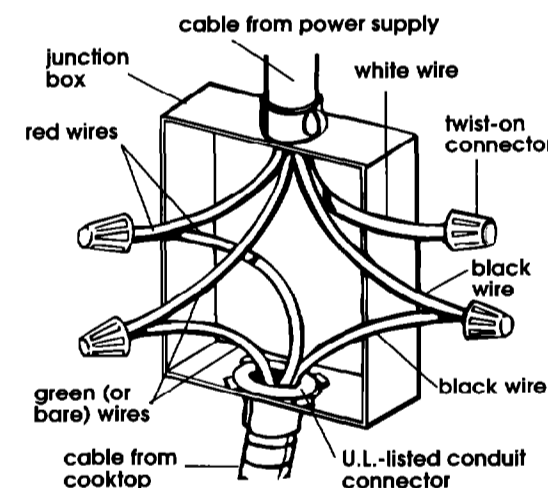


### Grounded neutral

Figure 2

1. Disconnect the power supply.
2. Connect the flexible armored cable that extends from the cooktop to the junction box using a U.L.-listed conduit connector. Tighten the screws on the conduit connector.
3. Connect the neutral (white) wire in the junction box with the green or bare wire from the appliance cable with a twist-on wire connector.
4. Connect the two black wires together; then connect the two red wires together with twist-on wire connectors. (See Figure 2.)

**B.** Where local codes Do Not permit... connecting the frame-ground conductor to the neutral (white) junction box wire:



### Ungrounded neutral

Figure 3

1. Disconnect the power supply.
2. Connect the flexible armored cable that extends from the cooktop to the junction box using a U.L.-listed conduit connector. Tighten the screws on the conduit connector.
3. Connect the two black wires together; then connect the two red wires together with twist-on wire connectors. (See Figure 3.)
4. Connect the green or bare ground wire from the cooktop to a grounded wire in the junction box.
5. Put a twist-on wire connector on the white wire from the power supply cable.

**C.** If connecting to a four-wire (mobile home) electrical system: Do Not connect the frame-ground conductor to the neutral (white) junction box wire.

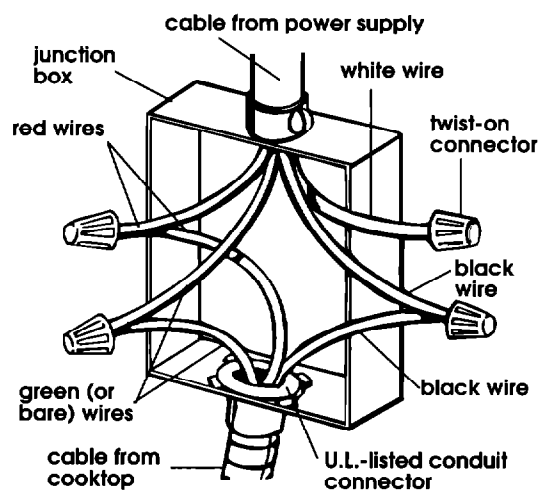


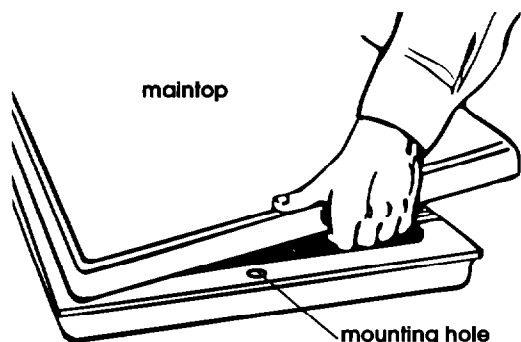
Figure 4

1. Disconnect the power supply.
2. Connect the flexible armored cable that extends from the cooktop to the junction box using a U.L.-listed conduit connector. Tighten the screws on the conduit connector.
3. Put a twist-on wire connector on the white wire from the power supply cable.
4. Connect the two black wires together; then connect the two red wires together with twist-on wire connectors. (See Figure 4.)
5. Connect the green or bare ground wire from the appliance cable to a ground wire in the junction box.

## Now start...

With cooktop in kitchen.

1. Remove shipping materials, tape and protective film from cooktop.
2. Remove the control knobs, surface elements and drip bowls.



3. Insert cooktop into the countertop opening. Center cooktop in cutout. Check that the front of the cooktop is parallel to the front edge of the countertop and at least 1-1/2 inches back from the front edge of the countertop and 1 inch from backsplash or rear wall. Check that all required clearances are met.

To avoid scratching the countertop, lift entire cooktop up from cutout when repositioning cooktop in countertop opening.

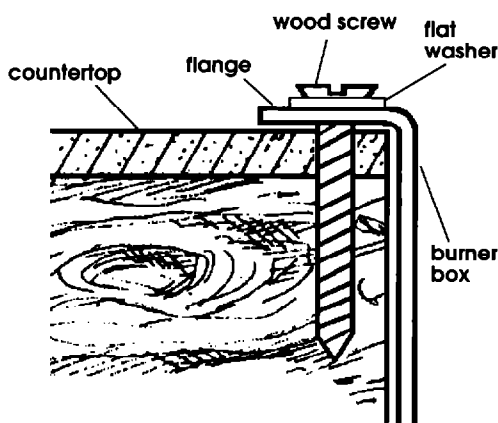
Lift up maintop and mark location of burner box mounting holes (located in the center of the left and right side of burner box flange) on countertop. Remove cooktop from cutout.

4. Determine which mounting method you will use. (Mounting screws not supplied with all models. Nails are not supplied.)

Put on safety glasses before drilling holes.

**If burner box flange will be screwed directly into the countertop:**

- A. Drill pilot holes at each mark for the screws.
- B. Reset cooktop into cutout and align mounting holes with the pilot holes.
- C. Lift maintop up to at least a 90° angle and support securely. Insert a wood screw in each of the mounting holes to fasten burner box flange to countertop. Do Not overtighten screws.



**If the burner box flange will be nailed directly to the countertop:**

- A. Drill pilot holes at each mark for the nails.
- B. Reset cooktop into cutout and align mounting holes with the pilot holes.

**Do Not hit burner box flange with hammer.**

**Hitting the flange with the hammer could damage the porcelain finish.**

- C. Lift maintop up to at least a 90° angle and support securely. Carefully hammer a flat-head nail through each of the mounting holes to fasten burner box flange to countertop. Do Not hammer nails too tightly to countertop.

**If countertop material is difficult to drill through (such as ceramic):**

- A. Use a carbide tip drill bit to drill clearance holes through the countertop material at each mark.
- B. Reset cooktop into cutout and align mounting holes with the drilled clearance holes.

- C. Lift maintop up to at least a 90° angle and support securely. Use a wood screw or flat-head nail through each of the mounting holes to fasten burner box flange to countertop. Do Not overtighten screws or hammer nails too tightly to countertop.

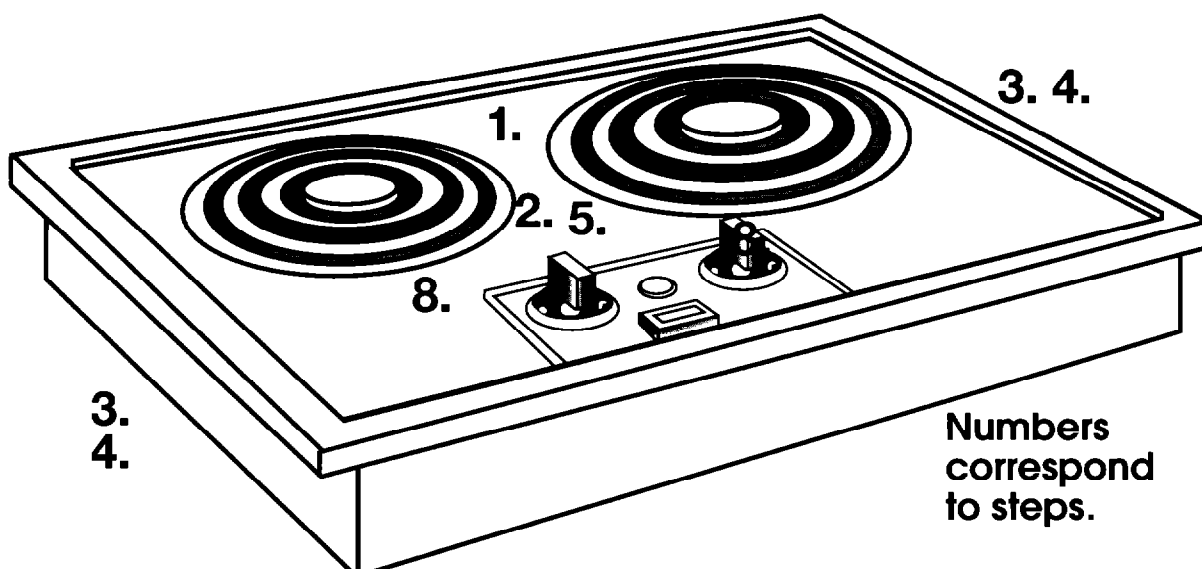
5. Lower maintop to operating position. Replace the control knobs, drip bowls and surface elements.

6. Make the electrical connection. (See "Electrical requirements" and "Electrical connection" sections, Panels B and C, for details.)

7. Turn on the power supply.

8. Push in and turn each control knob to the "HI" position. Check the operation of the cooktop elements and indicator lights.

*You have just finished installing your new cooktop. To get the most efficient use from your new cooktop, read your Use & Care Guide. Keep Installation Instructions and Guide close to cooktop for easy reference.*



## If the cooktop does not operate...

- Check that the circuit breaker is not tripped or the house fuse blown.
- See Use and Care Guide for troubleshooting checklist.

**NOTE: Refer to Use and Care Guide for operating instructions and cleaning instructions.**

## If you need assistance...

Check your Use & Care Guide for a toll-free number to call or call the dealer from whom you purchased this appliance. The dealer is listed in the Yellow Pages of your phone directory under "Appliances — Major".

When you call, you will need the cooktop model number and serial number. Both numbers can be found on the model/serial rating plate located on the bottom of the burner box.

## For cleaning and maintenance...

If removing the cooktop is necessary for cleaning or maintenance, disconnect the electric supply.

Remove the mounting screws or nails. Lift cooktop out of countertop to complete cleaning or maintenance.

Reinstall cooktop. Check that front edge of cooktop is parallel to front edge of countertop. Secure with mounting screws or nails. Connect electric supply.