



STACKED WASHER/DRYER INSTALLATION INSTRUCTIONS

FACTORY STACKED VERSION

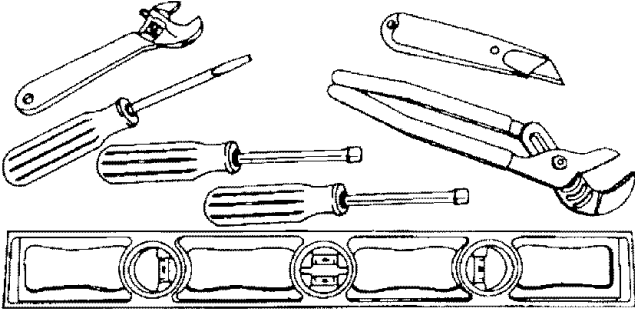


The installation, including a proper exhaust system, is the responsibility of the owner.

LEAVE THESE INSTRUCTIONS WITH THE OWNER

For further information, call 1-888-4-MAYTAG (1-888-462-9824).

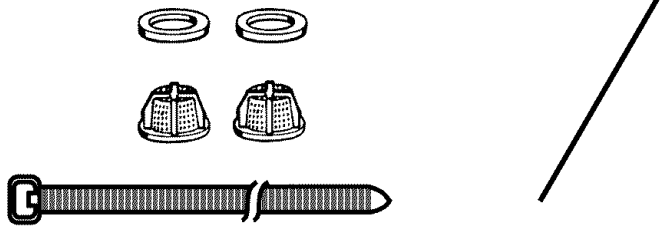
Read this before you start...



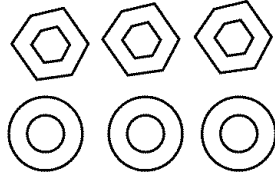
TOOLS needed for installation

- Teflon tape or pipe joint compound (gas)
- Cutting knife
- Pipe wrench (gas)
- 5/16" nut driver
- Level
- Screw driver (standard)
- Duct tape
- Crescent wrench
- 3/8" nut driver (electric – U.S. only)

ITEMS PROVIDED



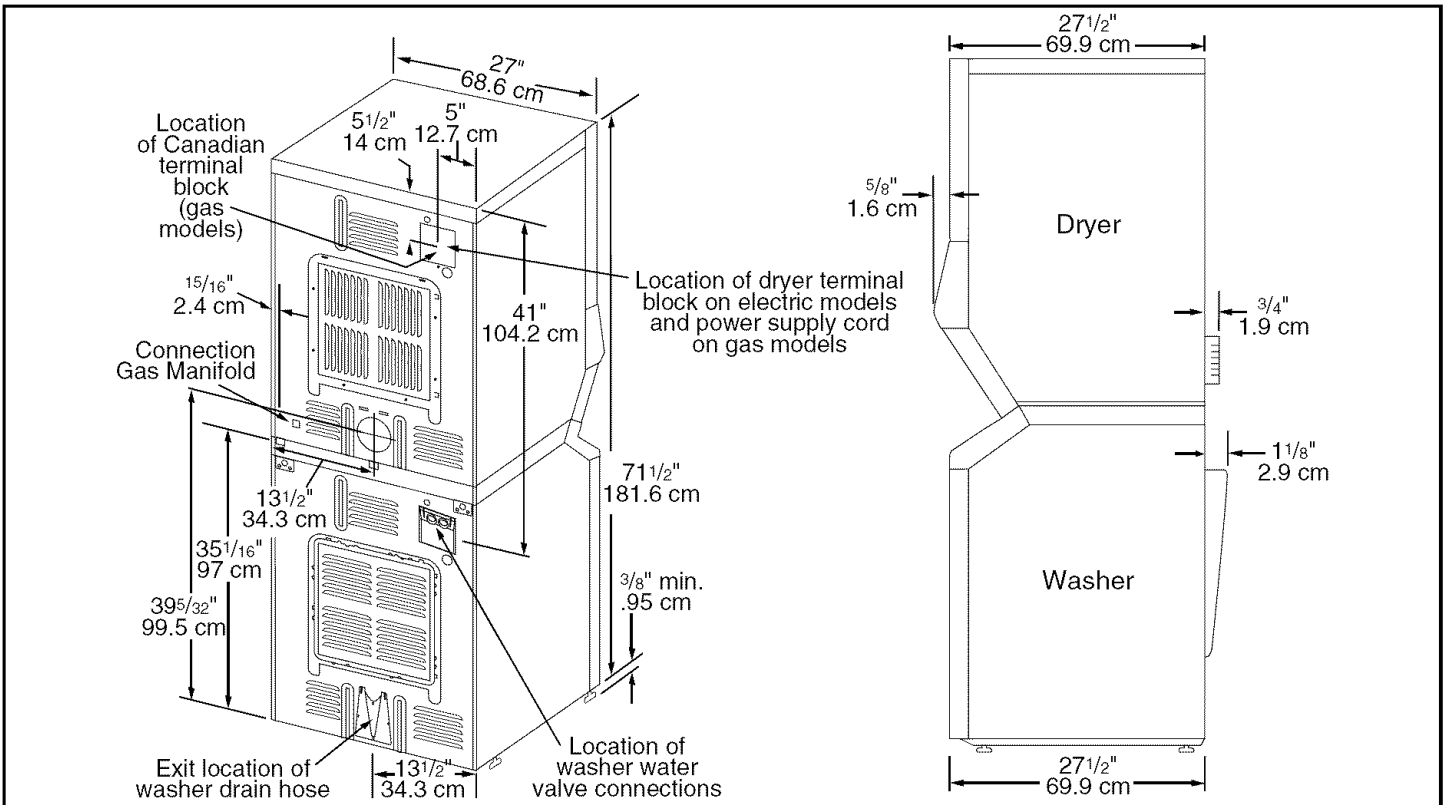
Electric Washer/Dryer Only



Make sure you have everything necessary for proper installation.

1. **GROUNDING ELECTRICAL OUTLET** is required. See Electrical Requirements starting on page 6.
2. **POWER CORDS** for electric dryers (except Canada).
3. **GAS LINES** (if a gas dryer) must meet National and Local Codes.
4. **EXHAUST SYSTEM** – use rigid metal or flexible metal exhaust ducting. See Exhaust Requirements in this section.
5. **UTILITIES SHUT OFFS** (electric, gas and water) must be accessible after installation.

NOTE: Door reversal instructions are on page 14.



PLEASE READ THE FOLLOWING INSTRUCTIONS CAREFULLY BEFORE STARTING TO INSTALL THE DRYER. THESE INSTRUCTIONS SHOULD BE RETAINED FOR FUTURE REFERENCE.

FOR GAS DRYERS THE INSTALLATION MUST CONFORM WITH THE NATIONAL FUEL GAS CODE ANSI Z223.1, LATEST REVISION. ANY QUESTIONS CONCERNING THIS SHOULD BE REFERRED TO THE LOCAL GAS UTILITY.

REMOVE THE DOOR FROM ALL DISCARDED DRYERS TO AVOID THE DANGER OF A CHILD SUFFOCATING.

LOCAL CONSIDERATIONS

The appliance should be located to permit adequate room in front for loading the dryer, and sufficient room behind the dryer for the exhaust system.

The dryer is factory-ready for rear exhaust. To exhaust out the left side, use an accessory exhaust kit available from your dealer. Instructions are included with the kit.


When installing the dryer the following minimum clearances to combustibles apply; clearance to wall and sides – 0 inches. Top – 0 inches with outside exhaust; rear – 0 inches with outside exhaust, 6 inches with inside exhaust. If an inside exhaust is used (*not recommended*) 8 inches clearance must be maintained above top.

It is important to make sure the room has adequate make-up air. The area where the dryer is located must not obstruct the flow of combustion or ventilating air. There must be a minimum of 36 square inches of unobstructed space surrounding the dryer.


For a gas dryer, adequate clearance as noted on the data plate must be maintained to insure adequate air for combustion and proper operation of the dryer.

THE DRYER **MUST NOT** BE INSTALLED OR STORED IN AN AREA WHERE IT WILL BE EXPOSED TO WATER AND/OR WEATHER. THE DRYER AREA IS TO BE KEPT CLEAR AND FREE FROM COMBUSTIBLE MATERIALS, GASOLINE AND OTHER FLAMMABLE VAPORS AND LIQUIDS. A DRYER PRODUCES COMBUSTIBLE LINT. THE AREA AROUND THE DRYER SHOULD BE KEPT FREE OF LINT.

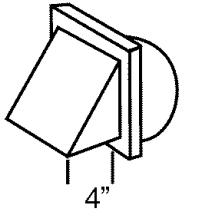
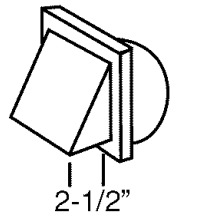
EXHAUSTING

	<p>WARNING – The dryer <i>must</i> be exhausted to the outside to reduce the risk of fire.</p>
---	---

Exhausting the dryer to the outside is mandatory to prevent large amounts of moisture and lint from being blown into the room.

	<p>WARNING – Plastic or nonmetal flexible duct presents a potential fire hazard.</p> <p>NEVER USE PLASTIC OR NONMETAL FLEXIBLE DUCT.</p> <p>If your existing ductwork is plastic, nonmetal or combustible, replace it with metal. Use only metal exhaust duct that will not support combustion to insure the containment of exhaust air, heat and lint.</p>
--	---

FOR BEST PERFORMANCE USE A MINIMUM OF 4-INCH DIAMETER RIGID ALUMINUM OR RIGID GALVANIZED STEEL DUCT. Ducts larger than 4 inches in diameter can result in increased lint accumulation. Lint accumulation should be cleaned regularly. If flexible metal duct must be used, the type with a stiff sheet metal wall is preferred.

Exhaust Hood Type		
Number of 90° Turns		
Maximum length of 4-inch diameter rigid metal duct		
0	65 ft.	59 ft.
1	54 ft.	48 ft.
2	44 ft.	38 ft.
3	36 ft.	30 ft.
4	28 ft.	22 ft.
Maximum length of 4-inch diameter flexible stiff walled metal duct		
0	36 ft.	28 ft.
1	32 ft.	24 ft.
2	28 ft.	20 ft.
3	25 ft.	17 ft.
4	23 ft.	15 ft.

Keep exhaust duct as straight and short as possible. Exhaust systems longer than recommended can extend drying times, affect machine operation and may collect lint. Secure joints with duct tape. Do not use screws.

DO NOT exhaust dryer into any wall, ceiling, crawl space or a concealed space of a building, gas vent, or any other common duct or chimney. This could create a fire hazard from lint expelled by the dryer.

The exhaust duct should end with an exhaust hood with a swing out damper to prevent backdrafts and entry of wildlife. **NEVER** use an exhaust hood with a magnetic damper. The hood should have at least 12 inches of clearance between the bottom of the hood and the ground or other obstruction. The hood opening should point down. **NEVER** install a screen over the exhaust outlet.

When possible, do not exhaust the dryer directly into a window well in order to avoid lint build-up. Do not exhaust under a house or porch.

If exhaust ductwork must run through an unheated area, the duct should be insulated and slope slightly down towards the exhaust hood to reduce condensation and lint build-up.

If an existing exhaust system is to be used with your dryer(s) you must be sure:

- The exhaust system meets all local, state and national codes.
- That plastic flexible duct is **not** used.
- To completely inspect and clean all lint accumulating from the interior of the duct.
- The duct is not kinked or crushed.
- The exhaust hood damper opens and closes freely.

Inspect and clean the interior of the exhaust system at least twice a year. Disconnect electric service prior to cleaning. Check gas line on gas dryers anytime the dryer is moved.

Frequently check to be sure the exhaust hood damper opens and closes freely.

WASHER REQUIREMENTS

Water pressure of 20 to 120 p.s.i. is required to correctly fill the washer to the proper levels.

DRAIN FACILITY

Recommended height of the stand pipe is 36 inches. If the stand pipe is less than 36 inches high, the drain hose should be routed through the clip to raise the hose to the proper height. Stand pipe must be large enough to accept the outside diameter of the drain hose.

Without the 36 inches high elevation, water may run out of the washer prematurely. Should the washer fill and drain at the same time could indicate that the drain hose has not been elevated to the proper height.

The drain hose is attached at the factory.

Maximum flow rate is 12 gallons per minute.

FLOORING

For best performance the washer must be installed on a solidly constructed floor. Wood floors may need to be reinforced to minimize vibration and/or unbalanced load situations. Carpeting and soft tile surfaces are contributing factors in vibration and/or tendency for a washer to move slightly during the spin cycle. Never install the washer on a platform or weak supported structure.

LOCATION CONSIDERATIONS

It is recommended the washer never be installed in areas where water may freeze since the washer will always maintain some water in the water valve, pump and hose areas. This can cause damage to belts, pump, hoses and other components. Operating temperature should be above 60°F.

GAS REQUIREMENTS

Use only Natural or LP (liquid propane) gases.

THE INSTALLATION MUST CONFORM WITH LOCAL CODES, OR IN THE ABSENCE OF LOCAL CODES, WITH THE NATIONAL FUEL GAS CODE ANSI/Z223.1, LATEST REVISION (FOR THE UNITED STATES), OR WITH THE CAN/CGA-B149 INSTALLATION CODES (FOR CANADA).

A gas dryer is equipped with a burner orifice for operation on NATURAL gas. **If the dryer is to be operated on LP gas, it must be converted for safe and proper performance and must be converted by a qualified service technician.** Conversion kits from NATURAL to LP, or LP to NATURAL are available through your local dealer (*see Accessories*). If other conversions are required, check with the local gas utility for specific information concerning conversion requirements.

Each dryer will provide an input of 22,000 B.T.U. per hour.

A 1/2 inch gas supply line is recommended and must be reduced to connect to the 3/8 inch gas line on the dryer.

The internal gas shut-off is accessed by removing the access panel on the dryer. The shut-off is positioned for easy access near the gas valve.

The National Fuel Gas Code requires that an accessible, approved manual gas shut off valve be installed within 6 feet of the dryer.

Additionally, a 1/8 inch N.P.T. (National Pipe Thread) plugged tapping, accessible for test gauge connection, must be installed immediately upstream of the gas supply connection to the dryer.

The dryer must be disconnected from the gas supply piping system during any pressure testing of the system.

DO NOT re-use old flexible metal gas line. Flexible gas line must be design certified by American Gas Association (CGA in Canada). **NOTE:** Any pipe joint compound used must be resistant to the action of any liquefied petroleum gas.

NOTE: As a courtesy, most local gas utilities will inspect a gas appliance installation.

GAS IGNITION –

The dryer use an automatic ignition system to ignite the burner. **There is no constant burning pilot.**

GROUNDING



- Improper connection of the equipment-grounding conductor can result in a risk of electrical shock. Check with a qualified electrician or serviceman if you are in doubt as to whether the appliance is properly grounded.
- Do not modify the plug provided with the appliance – if it will not fit the outlet, have a proper outlet installed by a qualified electrician.
- To prevent unnecessary risk of fire, electrical shock or personal injury, all wiring and grounding must be done in accordance with the National Electrical Code ANSI/NFPA, No. 70-Latest Revision (for U.S.) or the Canadian Electrical code CSA C22.1-Latest Revision (for Canada) and local codes and ordinances. It is

the personal responsibility and obligation of the appliance owner to provide adequate electrical services for this appliance.

- All gas installations must be done in accordance with the National Fuel Gas Code ANSI/Z223.1-Latest Revision (for the U.S.) or the CAN/CGA-B149 Installation Codes-Latest Revision (for Canada) and local codes and ordinances.

ELECTRICAL REQUIREMENTS

NOTE: Wiring diagram is located inside the access panel.

Export models (not U.S. or Canada):

See Additional Instructions for Export Models on the following pages.

GROUNDING

Each dryer must be grounded. In the event of malfunction or breakdown, the ground will reduce the risk of electrical shock by providing a path of least resistance for electrical current.

GAS MODELS

Each appliance is equipped with a cord having an equipment-grounding conductor and a grounding plug. The plug must be plugged into an appropriate outlet that is properly installed and grounded in accordance with all local codes and ordinances.

Do not modify the plug provided with the appliance – if it will not fit the outlet, have a proper outlet installed by a qualified electrician.

If a separate ground is required by local codes, a grounding kit (Part No. 12001875) is available. This kit contains the ground wire, clamp, ground screw and washer. Connect ground wire to back of unit with the cabinet ground screw and washer. Secure other end of ground wire to a suitable external ground connection. The wire may be secured with the clamp to a grounded COLD metal water pipe. **NEVER CONNECT GROUND WIRE TO PLASTIC PLUMBING LINES, GAS LINES OR HOT WATER PIPES.**

ELECTRIC MODELS

If a power cord is not used and the electric dryer is to be permanently wired, the dryer must be connected to a grounded metal, permanent wiring system; or an equipment grounding conductor must be run with the circuit conductors and connected to the equipment grounding terminal.

U.S. Electric models are shipped with a ground strap connected from the neutral terminal block post to the frame of each dryer. If local codes prohibits the use of the ground strap, the dryer must be grounded in accordance with local codes.

Each electric dryer must be connected to a grounded metal, permanent wiring system; or an equipment grounding conductor must be run with the circuit conductors and connected to the equipment grounding terminal.


ELECTRICAL CONNECTIONS *(see page 12 for connections)*

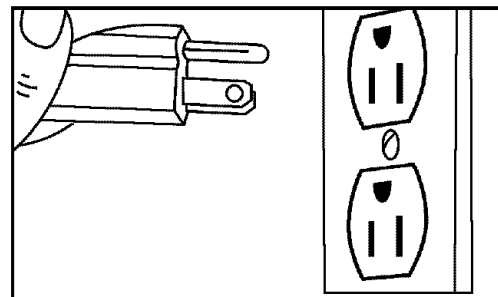
BEFORE OPERATING OR TESTING, follow all grounding instructions in Grounding Section above.


An individual branch (or separate) circuit serving only this appliance is recommended. **DO NOT USE AN EXTENSION CORD.**

GAS MODELS – U.S. and Canada

A 120 volt, 60 Hz AC, approved electrical supply, with a 15 ampere fuse or circuit breaker is required.

	WARNING – To prevent unnecessary risk of fire, electrical shock or personal injury, all wiring and grounding must be done in accordance with local codes, with the National Electrical Code, ANSI/NFPA (for the United States) or the Canadian Electrical Code CSA C22.1 (for Canada).
--	--



	WARNING: Improper connection of the equipment grounding conductor can result in a risk of electric shock. Check with a qualified electrician or serviceman if you are in doubt as to whether the appliance is properly grounded.
--	--

ELECTRIC MODELS – U.S. and Canada

A 120/240 volt, 60 Hz AC approved electrical service fused through a dedicated 30 ampere fuse or circuit breaker on both sides of the line is required.

If a power cord is used, the cord should be plugged into a dedicated 30 ampere receptacle.

U.S. ELECTRIC MODELS

The power cord is **NOT** provided with U.S. electric model dryers.

IMPORTANT: When permitted by local codes, the dryer electrical supply may be connected by means of a new power supply cord kit, marked for use with clothes dryer, that is U.L. listed, rated at 120/240 volts minimum, 30 amperes with three No. 10 copper wire conductors terminated with closed loop terminals, open-end spade lugs with turned up ends or with tinned leads.

Do not reuse a power supply cord from an old dryer. The power cord electric supply wiring must be retained at the dryer cabinet with a suitable UL listed strain relief.

If the dryer is to be installed in an area where local codes do not permit grounding through neutral, only a 4 conductor power cord, rated and terminated as above, may be used.

120/208 Volt Electrical Systems:

A U.S. electric washer/dryer must be converted if it is to operate on a 120/208 volt electrical system. A heating element conversion kit is available for the dryer (*see Accessories*).

CANADIAN ELECTRIC MODELS

All Canadian models are shipped with the power cord attached.

It is not permissible to convert a dryer in Canada to 208 volts.

Additional Instructions for Export Models (not U.S. or Canada)

Contact the distributor that sold the appliance or: Maytag International, 8700 W. Bryn Mawr Avenue, Chicago, Illinois USA 60631, 773-714-0100, for information on product, shipping damage, replacement parts and accessories.

Maytag models manufactured for operation on 60 Hz AC are not designed for use on 50 Hz AC electrical service and conversion of the product from 60 to 50 Hz operation is not recommended. For additional information on 50 Hz products, contact Maytag International.

The electric service requirements can be found on the data label located on the front of the dryer behind the door.

EXPORT ELECTRIC MODELS

Export electric models are manufactured for operation on either 230/240 volt, 50 Hz or 220 volt, 60 Hz approved electric service. A two-wire approved electrical service with a 30 ampere fuse or circuit breaker is required. The dryer must be properly grounded with a ground wire.

IMPORTANT: When permitted by local codes, the dryer electrical supply may be connected by means of a new power supply cord kit, marked for use with clothes dryers, that is agency listed, rated at 240 volts minimum, 30 amperes with two No. 10 copper wire conductors terminated with closed loop terminals, open-end spade lugs with turned up ends or with tinned leads.

Do not reuse a power supply cord from an old dryer. The power cord or electric supply wiring must be retained at the dryer cabinet with a suitable agency listed strain relief.

ADDITIONAL INFORMATION

REPLACEMENT PARTS AND ACCESSORIES

If the dryer requires replacement parts or accessories, contact your local Maytag dealer from whom you purchased your appliance or:

Maytag Customer Service
240 Edwards Street, S.E.
Cleveland, Tennessee 37311

Phone 1-888-4-MAYTAG (1-888-462-9824), for information on the nearest authorized Maytag Parts Distributor.

EXPORT MODELS

Contact the Commercial Distributor from whom you purchased your appliance or:

Maytag International
8700 W. Bryn Mawr Avenue
Chicago, Illinois, USA 60631

Phone 773-714-0100, for information on the nearest authorized Maytag Parts Distributor.

To install...

1. Carefully remove any packaging materials from the outside of the appliance. Set aside two corner posts for installation. **IMPORTANT:** Notice that the hoses are tied up with a shipping strap. (See figure 1.) **The strap should not be cut or removed until the machine is ready to be installed. FOR STACKED UNITS ONLY: After shipping restraints (upper straps and lower straps) have been removed, machine MUST be transported in the upright condition.**

Cut both lower shipping straps where they wrap around the crate bottom (see figure 2.) **DO NOT BE ALARMED** as the tub will jump up when the last strap is cut (see figure 2a.)

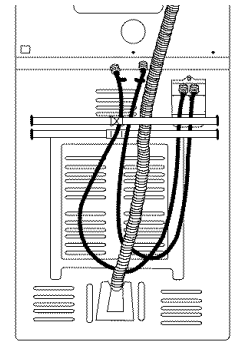


Figure 1

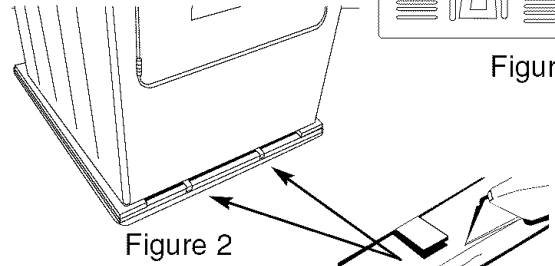


Figure 2

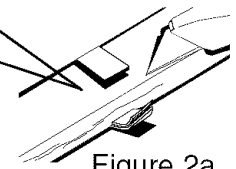


Figure 2a

2. Lay two corner posts behind the appliance and gently tip the appliance over on to its back. (See figure 3.)

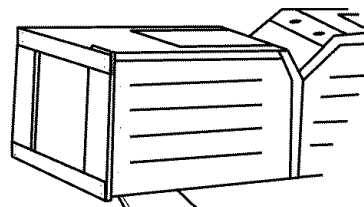


Figure 3

3. Pull loose straps from the bottom of the washer one at a time until all straps have been removed. (See figure 4.)

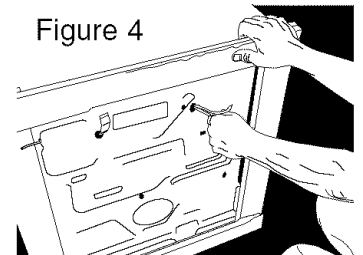


Figure 4

4. Remove the crate bottom from the appliance. (See figure 5.)

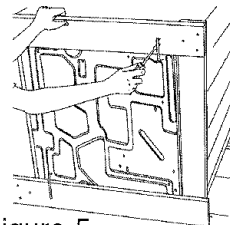


Figure 5

5. Loosen the four adjustable washer legs and lock nuts enough to fit a wrench on the lock nut. (See figure 6.) Carefully raise the washer back to an upright position.

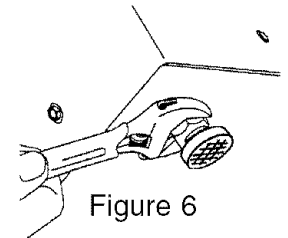


Figure 6

6. At the installation site, locate the metal buckles attached to the shipping straps at back of washer. Carefully cut away straps (see figure 7) near both buckles, completely removing both buckles from the washer. (See figure 7a.)

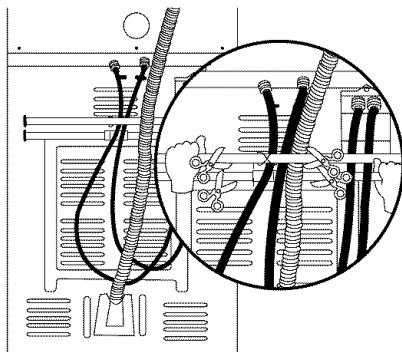


Figure 7

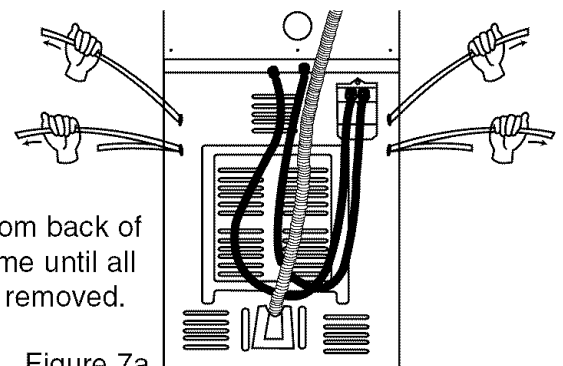


Figure 7a

Pull loose straps from back of washer one at a time until all straps have been removed.

7. Remove hose from the drain hose clip.

Place the drain hose in the drain facility. To change drain hose direction or prevent hose from collapsing or becoming damaged, turn the end of the hose while holding the base of the hose stationary. (See figure 8.)

To prevent accidental dislodging secure the drain hose to the standpipe, inlet hose or laundry tub with the tie strap provided in the parts package.

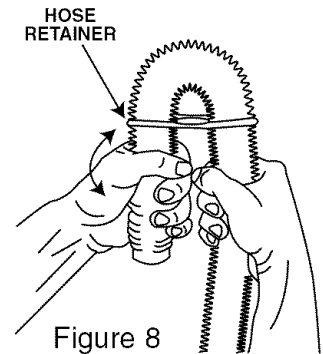


Figure 8

Be sure an air-tight connection is not made between the drain hose and the standpipe. Standpipe must be at least 24" high. 36" height is recommended.

(See figure 9.)

NOTE: Caution must always be exercised to avoid collapsing or damaging the drain hose. For best performance the drain hose should not be restricted in any way, through elbows, couplings or excessive lengths.

Route drain hose through the drain hose clip on the rear wall of washer.

For installations where the drain hose cannot be conveniently elevated to at least 24", the drain hose must be supported by the drain hose clip on the back of the washer.

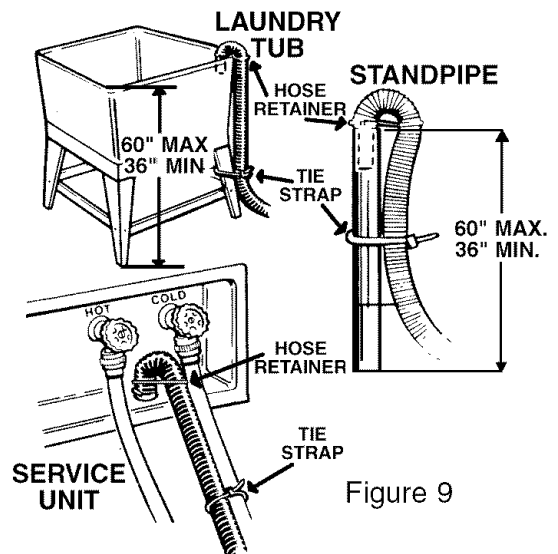


Figure 9

Install one screen strainer and washer at the faucet end of each fill hose. The dome on the screen strainer must point towards the faucet. (See figure 10.)

Attach the inlet hoses with the screen washer to the HOT and COLD faucets. Tighten by hand until snug and then 2/3 of a turn with pliers. **Do not overtighten.** **NOTE:** Accessory inlet hoses are available in various lengths up to 10 feet.

Slide appliance into position. **Make sure the drain hose remains routed straight through the drain hose clip without collapsing or damaging.** **NOTE: the appliance must be leveled on all 4 sides. To properly level a machine, the top cover and the front panel must be securely fastened. A carpenter's level should be used on all 4 corners of the top. It's a good idea to check for level again after the first dozen washes and re-level if necessary.**

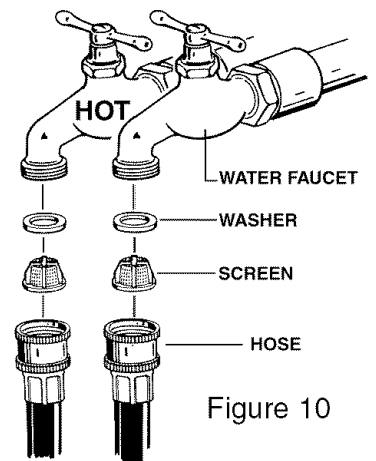


Figure 10

NOTE: If drain standpipe is in excess of 5 feet above floor level, a drain hose extension kit will need to be installed. If drain standpipe is in excess of 10 feet above floor level, a pump accessory kit may need to be installed.

For gas dryers apply joint compound or about 1-1/2 wraps of Teflon tape over threaded connection on the end of the gas pipe. (See figure 11.) An elbow is recommended, for additional depth, pointing down to allow the unit to be located further back into the alcove.

Note: Pipe joint compound must be resistant to the action of any liquefied petroleum gas.

Add additional fitting to connect the 3/8 inch gas pipe to a female threaded end of a 3/4 inch flexible connector making sure the connection is tight.

DO NOT use excessive force in tightening threads as this may damage internal components.

Check all gas supply connections from service valve for leaks using a soap solution, **DO NOT use an open flame to check for gas leaks.** If bubbles occur, tighten the connections and recheck.

NOTE: As a courtesy, many local gas utilities will inspect a gas appliance installation. Check with your local utility to see if this service is provided in your area.

NOTE: The minimum permissible gas (natural or mixed) supply pressure for purposes of input adjustment is 4.5 inches of water.

Move unit into position, level and tighten the leveling lock nuts on the legs. Secure the vent pipe to the exhaust duct with a 4 inch vent clamp.

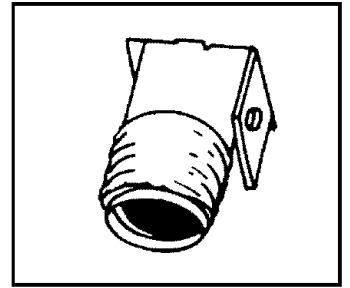


Figure 11

8. For electric dryers:

TO MAKE ELECTRICAL CONNECTION FOR U.S. DRYERS

Review electrical requirements on page 6 of these instructions.

IMPORTANT – All U.S. models are produced for a 3-WIRE SYSTEM CONNECTION. The dryer frame is grounded to the neutral conductor at the terminal block. A 4-WIRE SYSTEM CONNECTION is required for new or remodeled construction, mobile homes, or if local codes do not permit grounding through neutral. If the 4-wire system is used, the dryer frame cannot be grounded to the neutral conductor at the terminal block. Refer to the following instructions for 3- and 4-WIRE SYSTEM CONNECTIONS.

Remove the terminal block cover plate. (See figure 12.)

Insert the power cord with a U.L. listed strain relief through the hole provided in the cabinet near the terminal block. **Note, a strain relief must be used.**

3-WIRE SYSTEM CONNECTIONS

Do not loosen the nuts already installed on the terminal block. Be sure they are tight. Use a 3/8 inch deep nut driver.

If the power cord has terminals, place the terminals over the existing nuts on the posts. The neutral (white or center wire on power cord) conductor must always be connected to the center (silver colored) post of the terminal block.

Secure in place using the nuts provided in the parts package. If the power cord does not have terminals, use the cupped washers ahead of the nuts.

Be sure the terminal block nuts are tight, but do not over-tighten. Secure the power cord in position. Tighten the strain relief screw(s) in order to clamp the strain relief to the cord. (See figure 13.)

Replace the terminal block cover.

BEFORE OPERATING OR TESTING, follow the grounding directions on page 5.

4-WIRE SYSTEM CONNECTIONS

Remove the ground strap screw from the terminal block support. Fold the ground strap over so both ends of the ground strap are attached to the center terminal block post.

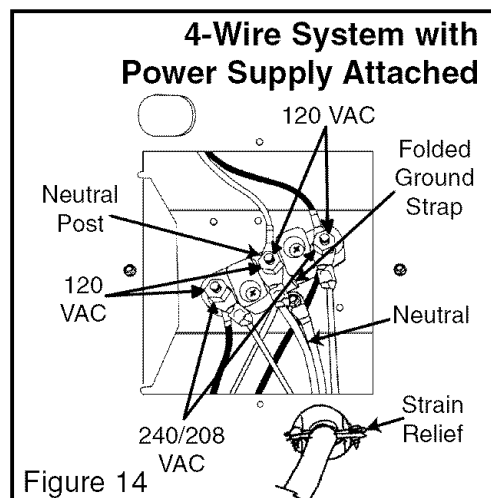
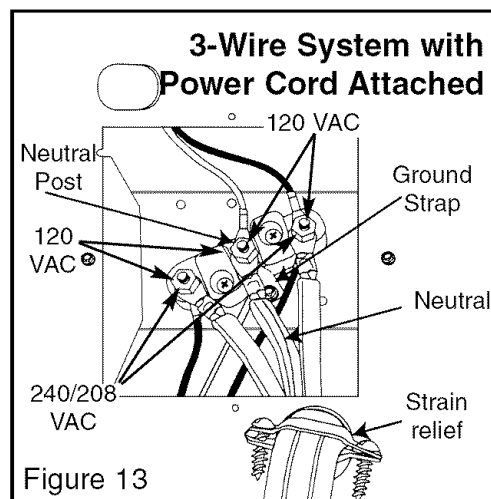
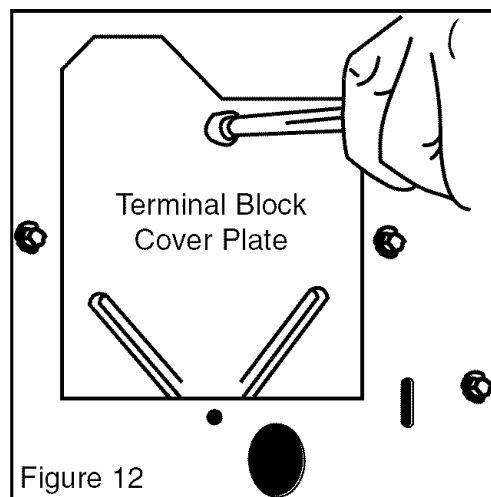
Connect the neutral (white) conductor of the cord to the center (silver) post of the terminal block. Connect the grounding (green) wire of the cord to the terminal block support using the ground strap screw.

Connect the red and black wires of the cord to the outer posts of the terminal block.

Be sure the terminal block nuts are on tight, but do not over-tighten. Secure the power cord in position. Tighten the strain relief screw(s) in order to clamp the strain relief to the cord. (See figure 14.)

Replace the terminal block cover.

WARNING: If converting from 4-wire electrical systems to 3-wire, the ground strap must be reconnected to terminal block support to ground the dryer frame to the neutral conductor.



2-WIRE AND GROUND SYSTEM CONNECTIONS

Remove the terminal block cover plate.

Insert the power cord with an agency listed strain relief through the hole provided in the cabinet near the terminal block. **Note, a strain relief must be used.**

Do not loosen the nuts already installed on the terminal block. Be sure they are tight. Use a 3/8 inch nut driver.

Secure the power cord ground wire to the terminal block support using the ground screw. (See figure 15.)

If the power cord has terminals, place the terminals over the existing nuts on the posts. The neutral wire in power cord must be connected to the center (silver colored) post of the terminal block.

Secure in place using the nuts provided in the parts package. If the power cord does not have terminals, use the cupped washers ahead of the nuts.

Be sure the terminal block nuts are tight. Secure the power cord in position. Tighten the strain relief screw(s) in order to clamp the strain relief to the cord.

Replace the terminal block cover.

BEFORE OPERATING OR TESTING, be sure the machine is properly grounded.

EXPORT GAS MODELS

Export gas models are manufactured for operation on either 230/240 volt, 50 Hz or 220 volt, 60 Hz AC approved electrical service with a 15 ampere fuse or circuit breaker.

Export gas models have been manufactured for use with natural gas having a higher heating value of approximately 1025 BTU per cubic foot. Conversion to LP gas with a higher heating value of approximately 2500 BTU per cubic foot must be performed by a qualified service technician. A conversion kit is available.

9. Remove washer and dryer timer knobs from miscellaneous parts package and insert them on the respective shafts. **NOTE:** Timer shafts are different between the washer and dryer. (See figure 16.)

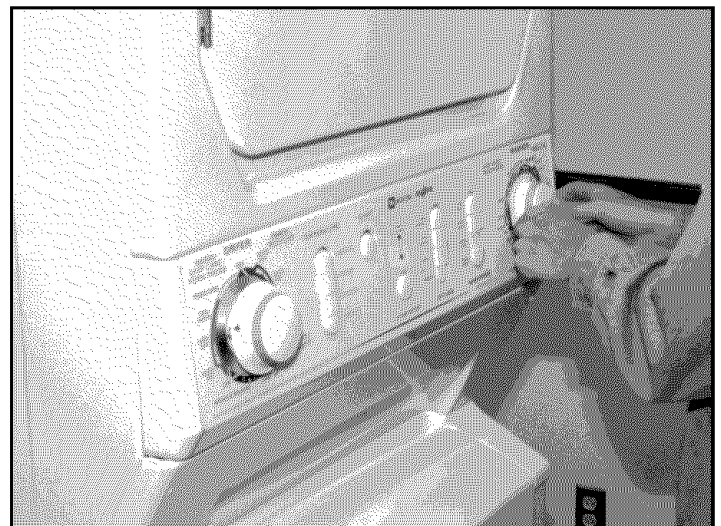
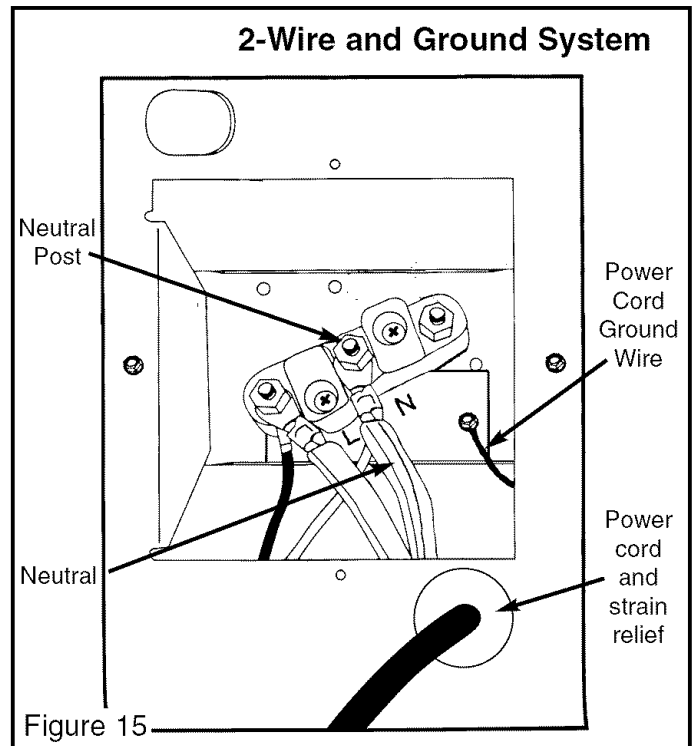


Figure 16

10. Directions for reversing the dryer door:

1. Remove the hinge hole covers and screws.
2. While supporting the door, remove 4 screws in the hinges that secure the hinges to the cabinet and set the door down.
3. Move the following parts to the opposite side of the door: 2 hinges and 4 hinge screws, 4 door screws, door strike and screw, inner door cover plate and screw.
4. Attach the door to the opposite side of the cabinet using the 2 counter sunk hinge screws.
(See figure 17.)
5. Replace the hinge hole covers to the opposite side.

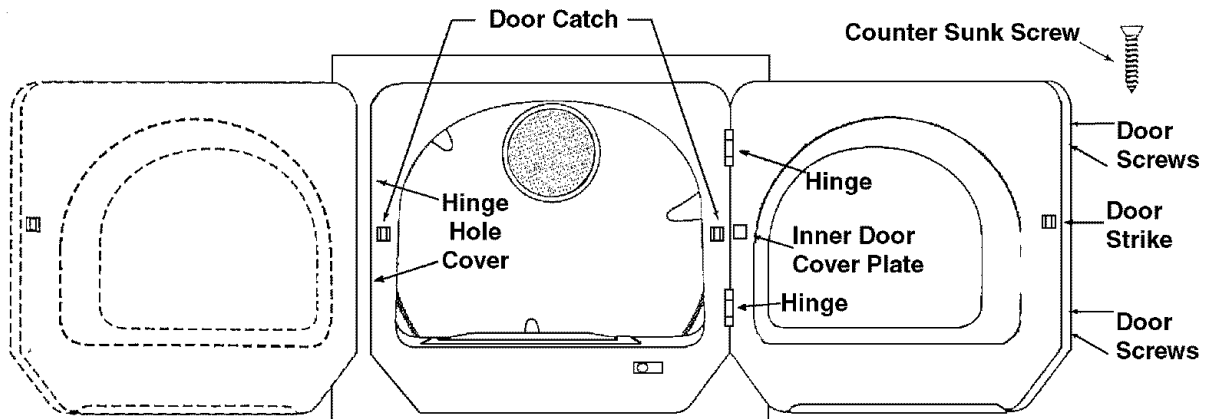


Figure17

11. Directions for reversing the washer door:

1. Swing door fully open and support it while removing four hinge screws (which hold hinges to door assembly).
2. Set door aside and transfer four color matched door screws to the opposite side of the door assembly.
3. Remove one screw holding top hinge to cabinet and one screw holding top hinge cover to cabinet (opposite side).
4. Remove hinge and bracket from cabinet by moving them up and down to a position where they are released.
5. Install hinge and bracket in swapped locations and drive screws to attach them securely to the cabinet.
6. Compare top hinge and top bracket to bottom hinge and bottom bracket for correct assembly position.
7. Repeat procedures 4 through 6 for bottom hinge to cabinet and bottom bracket to cabinet.
8. Support door in fully open position on hinge side and drive four screws to secure attach hinges to door assembly.
9. Close door and check to see that clothes washer operates properly.

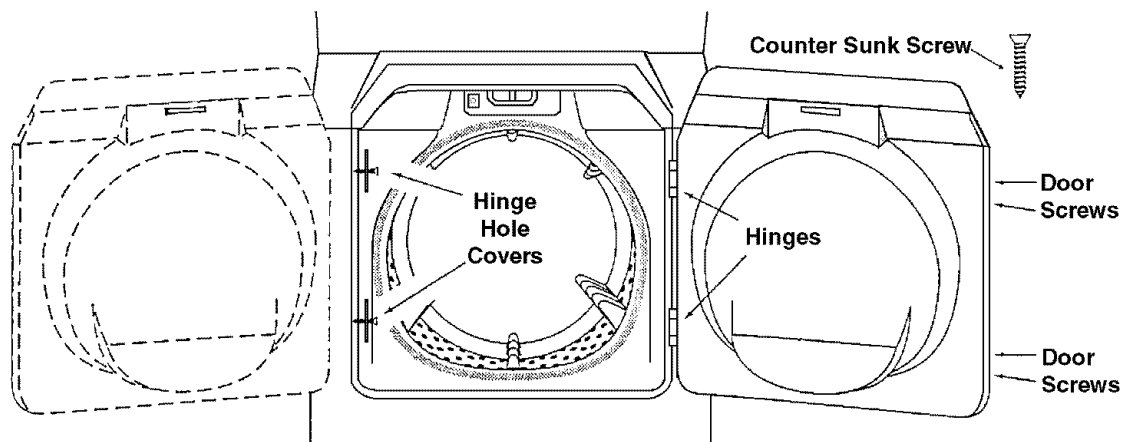


Figure 18

FINAL INSTALLATION CHECK LIST

- Instruction and Installation Kits have been removed.
- Shipping straps have been removed.
- Appliance is level with all legs firmly on the floor, with the lock nuts tightened against the base.
- Drain hose is properly located into drain facility, snapped into drain hose retainer and is not kinked.
- Gas Models – gas is turned on, there are no gas leaks.
- Water is turned on and checked for leaks at faucet and water valve connections.
- Washer fills properly on all temperature selections.
- Exhaust duct work is hooked up and joints taped.
- Use rigid or stiff walled flexible metal vent material.
- Plastic or thin walled metal flexible duct is NOT used.
- Appliance is plugged into a dedicated electrical outlet and is properly grounded.
- Test for proper operation by running the washer through a complete cycle.**
 1. Select Cotton/Sturdy, Hot/Cold and Max Extract. Make sure the Extra Rinse option is not selected.
 2. Turn the timer dial to Heavy-Normal-Light wash and press the Start/Stop button.
 3. Verify the washer is filling from the hot water valve.
 4. Verify the washer stops filling.
 5. Push Start/Stop to stop washer.
 6. Turn the timer dial to Final Rinse increment. Deselect Extra Rinse and select Max Extract. Press the Start/Stop button to restart the washer.
 7. Verify the washer is filling from the cold water valve, and verify the washer stops filling.
 8. Wait 30 seconds for the timer to advance itself one increment into Spin.
 9. Verify the washer spins. This will take several minutes as the door needs to lock and distribute the load.
 10. Pull on the door to make sure it has locked. Allow washer to complete spin to drain washer of water.
 11. Reset the washer to start position.
- Dryer runs, heats, shuts off.

INSTALLATION ACCESSORIES

- Vent hood – 4” (10.16cm) opening – 059129
- Aluminum pipe – 4” x 24” (10.16cm x 60.96cm) – 059130
- Aluminum elbow – 4” (10.16cm) – 059131
- Aluminum window plate – 15” x 20” (38.10cm x 50.80cm) – 4” (10.16cm) hole – 059134
- Clamp for 4” duct – 304630
- Exhaust duct kit for base or left side exhausting – 12001453
- Rectangular vent kits – 059144
- Back draft damper 4” – 059146
- NATURAL to LP conversion kit – 306195
- LP to NATURAL conversion kit – 306204
- Anchor bracket kit – 303740
- Heating element conversion kit, 208 v., – 308590 (NOT FOR CANADA)
- Grounding Kit – 12001875
- Power cords – 240 v, 30 A
 - 10’ – 3-wire – 33001838
 - 10’ – 4-wire – 33002441