

Installation Instructions

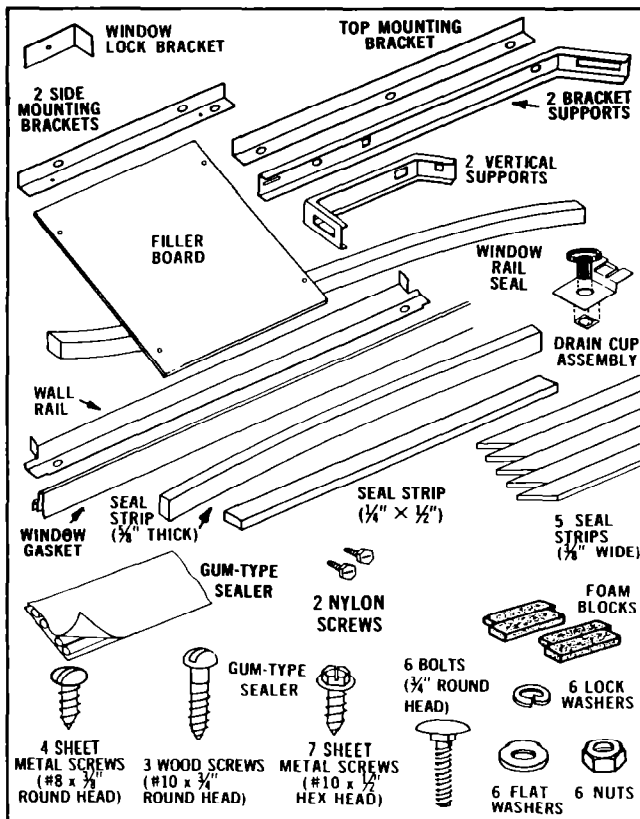
- To help avoid any installation problems and to help assure trouble-free duty of your new air conditioner, read these installation instructions and Things you Ought to Know electrical requirements sheet *before* installing your unit.
- Because this air conditioner weighs between 125 to 200 pounds, have somebody help you install your new unit and be sure you both use proper lifting methods to avoid personal injury.
- Inspect the condition of the window you'd like to install your air conditioner in. Be sure it will support the weight of the unit.

CAUTION:

- Be sure air conditioner does not fall out of window during installation.
- Handle the air conditioner with care. Watch out for the sharp metal fins on the front and rear coils.

THIS APPLIANCE MUST BE INSTALLED ACCORDING TO ALL APPLICABLE CODES AND ORDINANCES

1 **Unpack parts** (illustrated below) before installing your air conditioner. Check to be sure you have all of the parts to do the job—if any are missing, contact your nearest Sears Store. A normal installation can be made with a screwdriver, saw, small level, pocket knife, tape measure, $7/16$ " socket wrench and a drill with a $1/8$ " drill bit.



2 **Pick the right window.** First, decide what room(s) you want to cool. Then choose a window that lets the air-conditioned air flow freely and directly into the room(s) you want cooled. Remember, air does not move around corners.

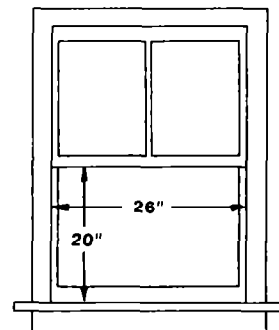
A. Choose a window that's also near an electrical outlet. (Refer to ELECTRICAL REQUIREMENTS on reverse side of THINGS YOU OUGHT TO KNOW sheet for wall outlet and wiring needed.)

B. Do not use an extension cord.

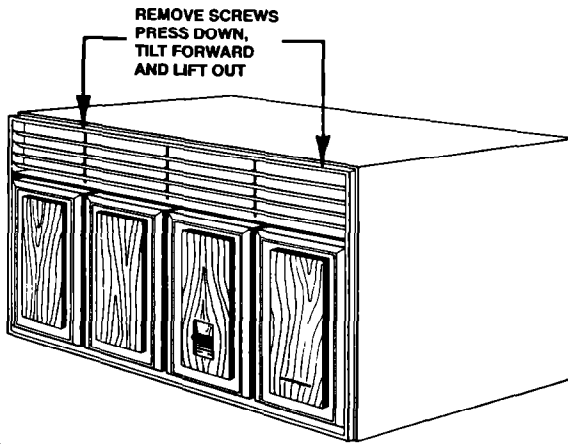
C. The window in which you place your air conditioner must have an opening at least 26 inches wide and at least 20 inches tall.

D. The installation parts supplied are for double-hung windows up to 40 inches in width.

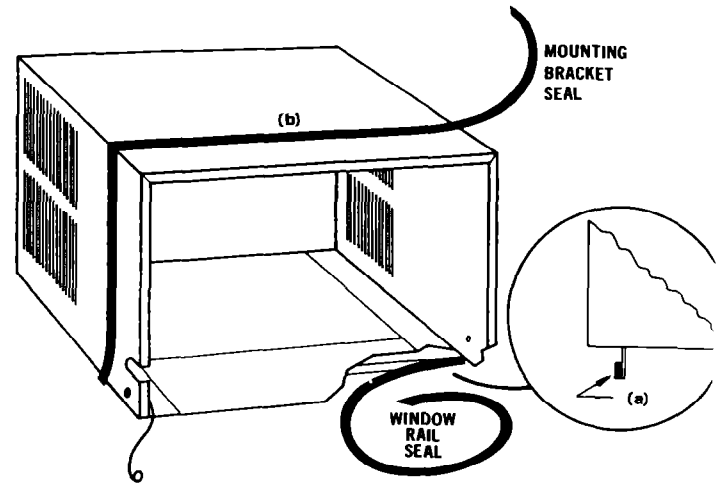
E. For a wide installation up to 54 inches, a special wide-window kit is available as a parts item.



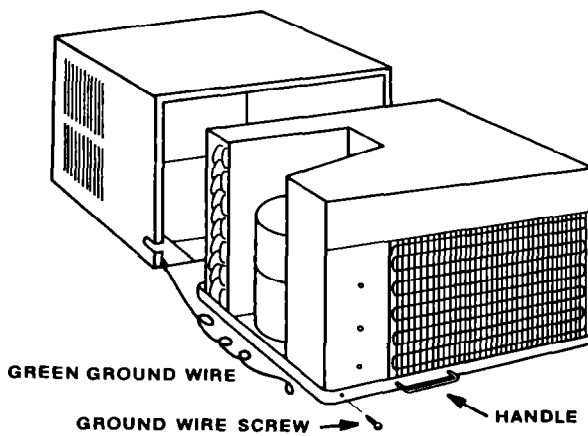
1157219
Q/ECO



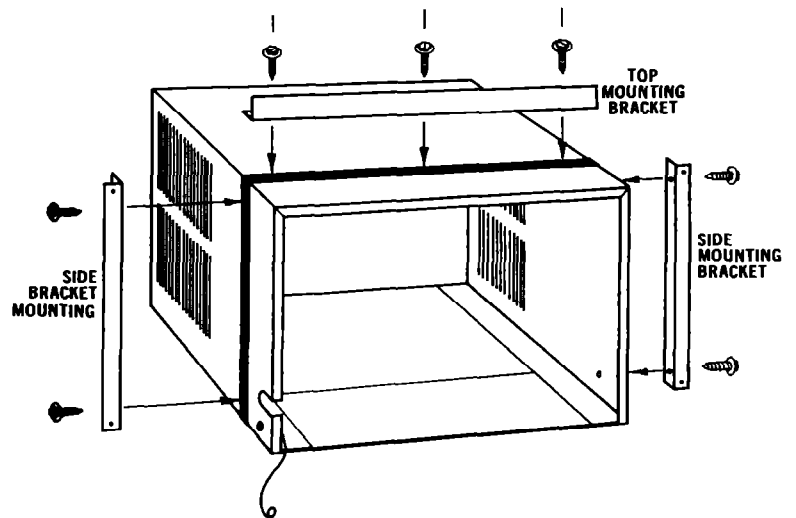
3 Remove front



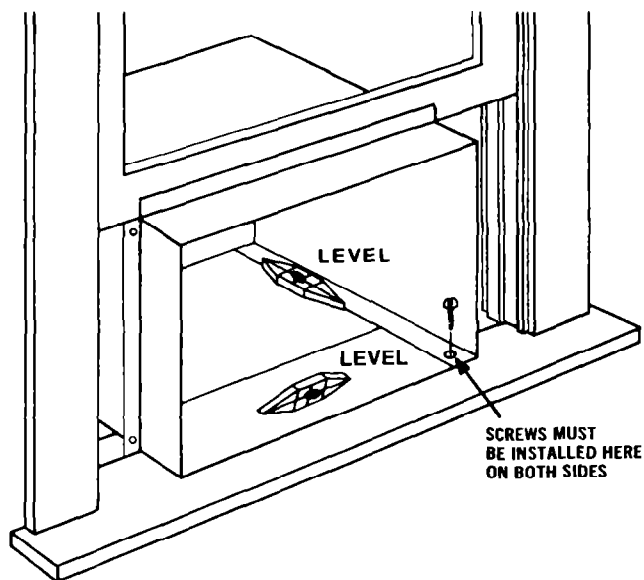
5 Attach seal strips to cabinet. Place $\frac{3}{8}$ "-wide, self-sticking strip on window side of bottom flange (a). Now apply $\frac{3}{8}$ "-wide seal strip over the center line of pre-drilled holes for top and side mounting brackets (b).



4 Slide unit out of cabinet. First, take off the green ground wire at the left-front corner of base of unit by removing screw (save screw for reuse later). Now slide unit out of cabinet by pulling out on handle at bottom.

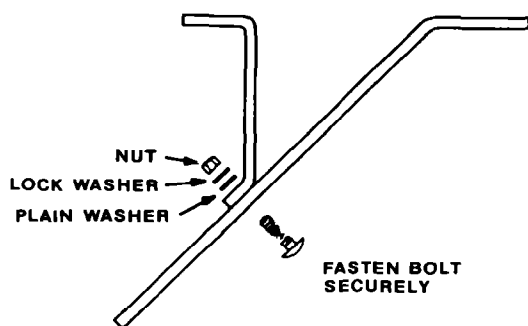


6 Attach side mounting brackets to the sides of cabinet by using four hex-head sheet metal screws. Punch holes in seal strip before driving screws through it. Be sure flange of each side mounting bracket faces inside. Now attach top mounting bracket to cabinet by using three hex-head sheet metal screws. Again, be sure flange is facing inside of house.

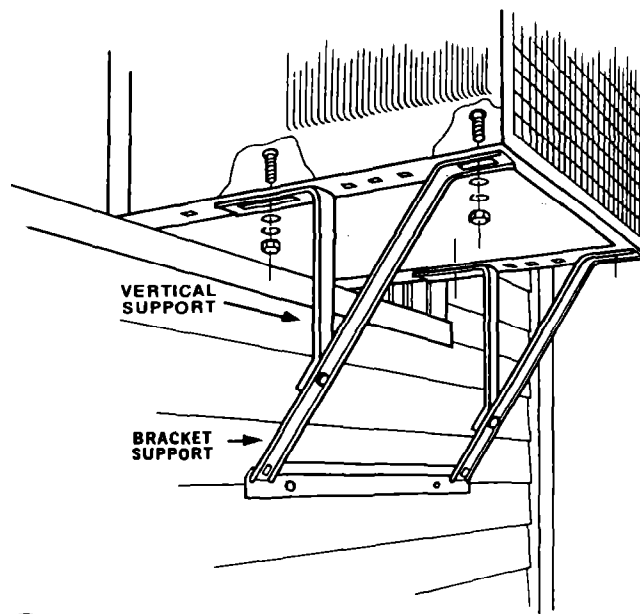


7 Center air conditioner cabinet in window.

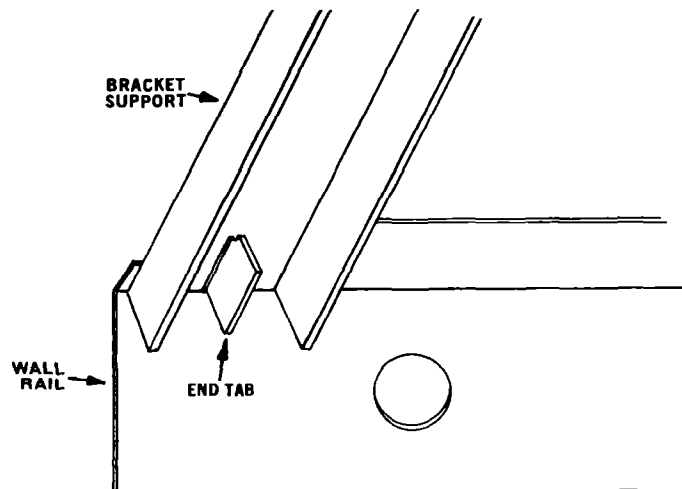
Pull window sash down behind top mounting bracket to hold cabinet in place. (CAUTION: BE CAREFUL THAT CABINET DOES NOT FALL OUT OF WINDOW.) The proper slope is designed into the product for normal leveling installation. However, be sure you have about one-half bubble or $\frac{5}{8}$ " downward tilt to the outside for proper water drainage. Move or shim cabinet to provide the proper tilt or side-to-side leveling. Place cabinet bottom flange against rear of window sill for proper seal. Make two $\frac{1}{8}$ " pilot holes into the window sill using the holes in the cabinet as a guide. Use two wood screws to secure the bottom of the cabinet to the window sill.



8 Construct outside support assemblies by fastening vertical and bracket supports together with $\frac{3}{4}$ " bolts, washers and nuts. Tighten securely.

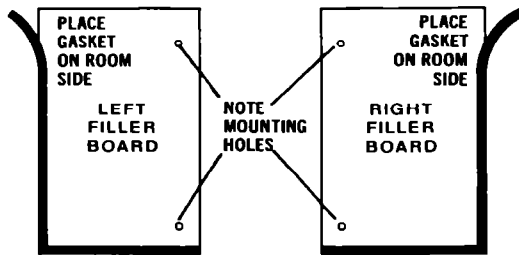


9 Position support assemblies against bottom rail of cabinet and slide toward house, allowing about one-inch clearance between end of bracket support and wall. Select proper sets of square holes in cabinet rails and fasten support assemblies to cabinet rails by using $\frac{3}{4}$ " bolts, washers and nuts. Do not tighten nuts. Leave assembly loose, so you can make adjustments to support assemblies later.



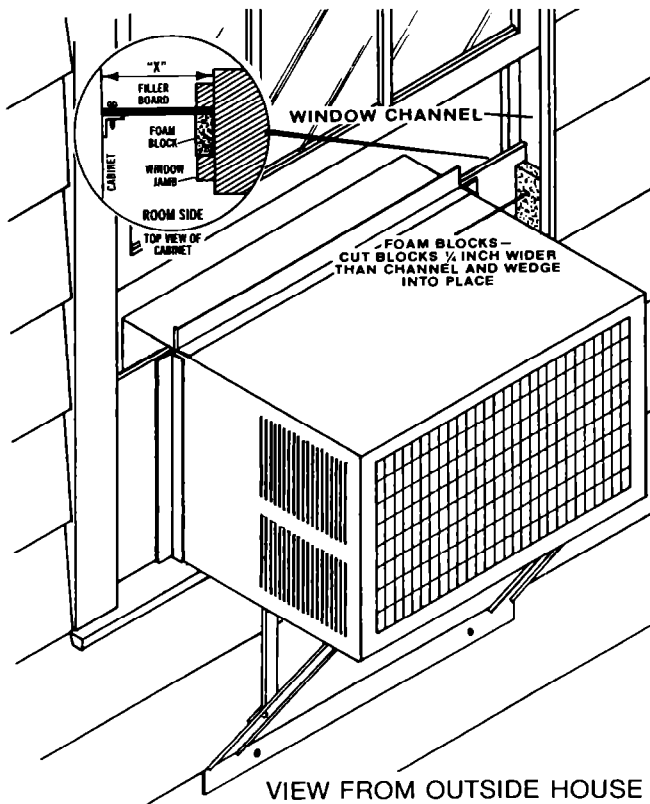
10 Insert end tabs on wall rail through slot in each support assembly. Slide each support assembly toward house. Be sure wall rail is positioned firmly against exterior wall. NOTE: If your house is constructed of a material that could be damaged by the wall mounting support, fasten a board between wall rail and side of house.

11 Tighten nuts. Tighten the nuts closest to the wall last to assure that the wall rail fits snugly against your house.

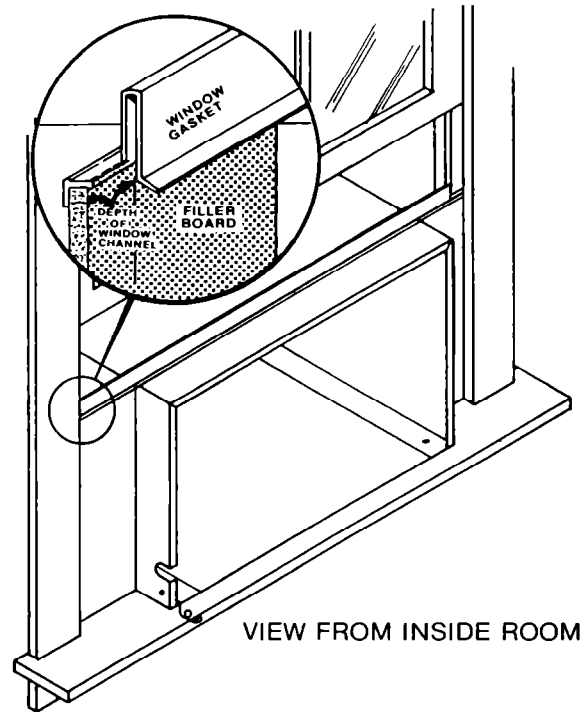


12 With cabinet in window, measure and cut filler board to fit. Measure from cabinet to inside of window channel as shown by "X" in Step 13 illustration. Cut filler board to fit, making sure screw holes in board match holes in side mounting brackets.

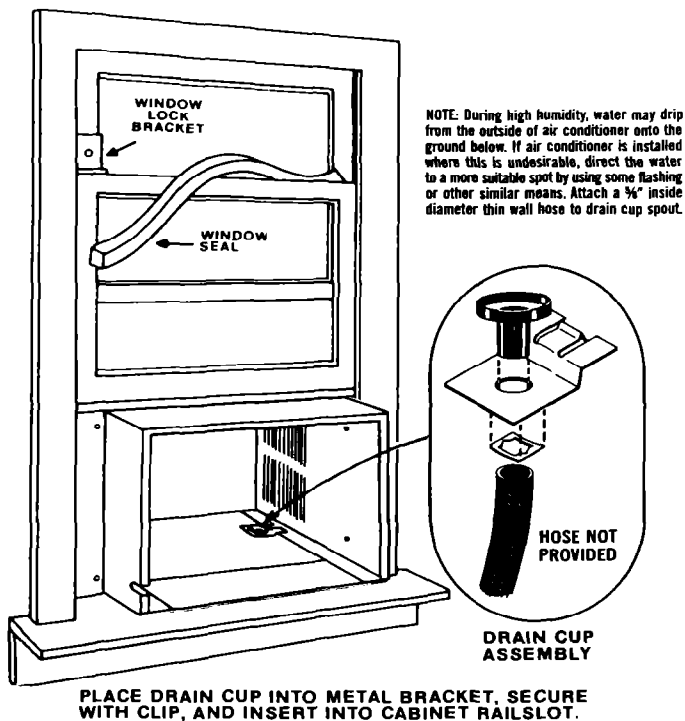
13 Apply seal strips and attach filler boards. Decide which will be your left and right filler boards. Apply $\frac{3}{8}$ "-wide seal strips on the room side of each filler board as shown (i.e. along bottom edge and window channel edge). Slide filler boards into place with window raised. (CAUTION: BE CAREFUL THAT CABINET DOES NOT FALL OUT OF WINDOW.) Filler board goes on room side of mounting bracket. Lower window behind top mounting bracket. Fasten boards to brackets with four $\frac{3}{8}$ "-round-head sheet metal screws.



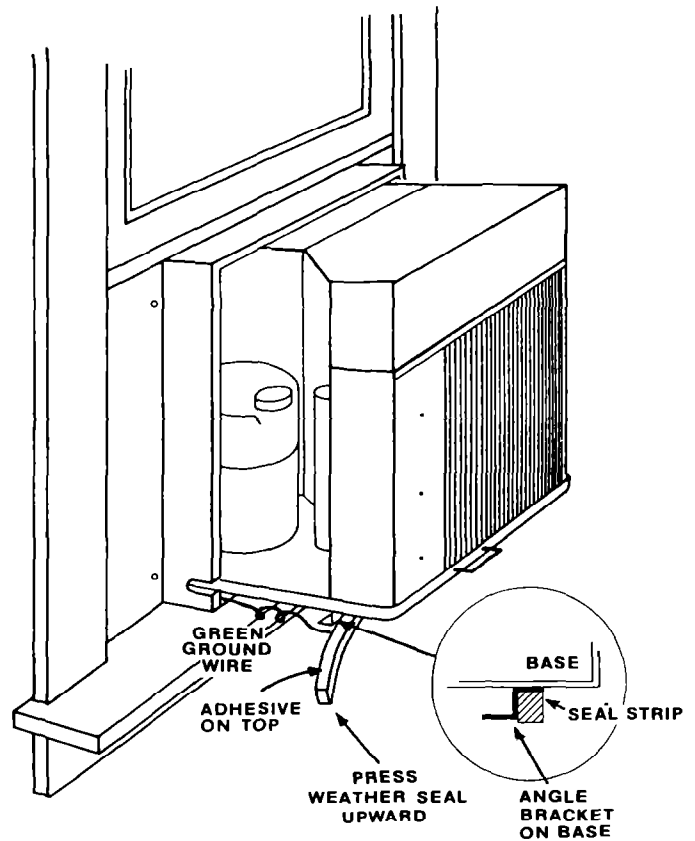
14 Install foam blocks. Raise window and push filler boards from outside as far toward you as they will go. Use the foam blocks that are provided as shown. (CAUTION: BE CAREFUL THAT CABINET DOES NOT FALL OUT OF WINDOW.)



15 Place window gasket over top mounting bracket and filler boards. **1.** Measure depth of window channel. **2.** Cut notch on end of window gasket to same depth. **3.** Measure window width between window channels (include full depth of window channels). **4.** Cut gasket to this length, and remove excess from unnotched end. **5.** Cut unnotched end of gasket to match the notched end. **6.** Place gasket over top mounting bracket and filler boards with long side facing inside.

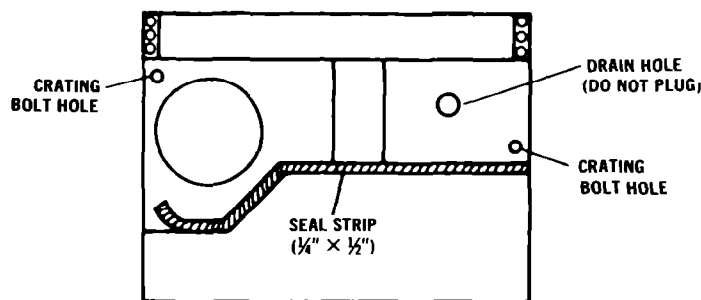


PLACE DRAIN CUP INTO METAL BRACKET, SECURE WITH CLIP, AND INSERT INTO CABINET RAIL SLOT.



16 Install window seal and window lock bracket and drain cup. Press foam meeting rail seal into place and cut to proper length. Install lock bracket using wood screw. Make a $\frac{1}{8}$ " pilot hole first. (CAUTION: WINDOW LOCK BRACKET MUST BE INSTALLED AT ALL TIMES TO BE SURE UNIT DOES NOT FALL OUT OF WINDOW. REMOVE BRACKET ONLY WHEN YOU WISH TO REMOVE AIR CONDITIONER FROM WINDOW.) Seal small openings around installation with gum-type sealer.

17 Apply seal strip ($\frac{1}{4}$ " x $\frac{1}{2}$ "") to top of unit flange as shown below. Plug two crating bolt holes using the two nylon screws supplied to prevent water dripping from these holes. Insert screws (from bottom) all the way into basepan.



18 Insert air conditioner into cabinet. Slide air conditioner only two-thirds of the way into the cabinet. Do not push against sharp fins and plastic parts. Apply $\frac{5}{8}$ "-thick seal strip onto bottom of base of air conditioner as shown. Now push air conditioner all the way into cabinet, being sure angle bracket on base clears bottom edge of cabinet. Again, do not push against sharp fins and plastic parts. Attach green ground wire to the left-front corner of unit base by re-using retaining screw from Step 4. (CAUTION: KEEP WIRE CONNECTED WHENEVER AIR CONDITIONER IS IN CABINET. IT IS THERE FOR YOUR ELECTRICAL SAFETY.)

19 Attach front by placing bottom edge on clips and pushing top down, then in and up. Replace the two (2) screws that attach the front to the cabinet.

REFER TO ELECTRICAL REQUIREMENTS ON "THINGS YOU OUGHT TO KNOW" SHEET AND OWNER'S MANUAL FOR ELECTRICAL AND STARTING INSTRUCTIONS.

Through-the-wall Installation Instructions

It is your responsibility and obligation to have this product installed by qualified technicians familiar with Through-The-Wall Room Air Conditioner Installations.

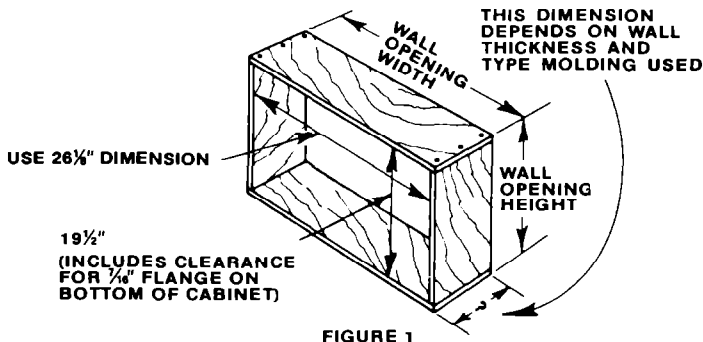


FIGURE 1

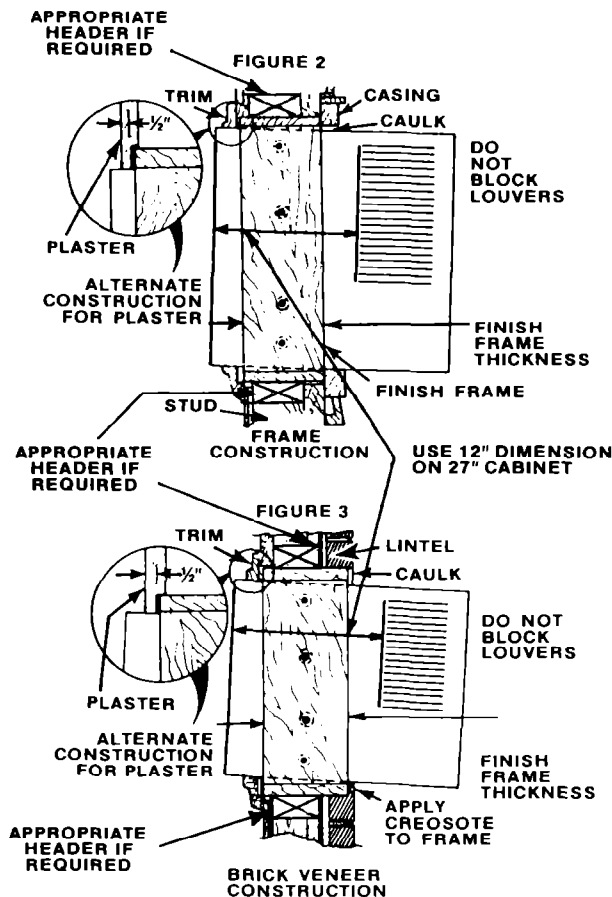


FIGURE 3
BRICK VENEER CONSTRUCTION

Make sure you have all the tools and supplies to complete your installation. Now follow these steps to install your air conditioner through the wall of your home. Also, refer to Steps 3 and 4 and 17 through 19 of window installation instructions.

- A. Select the right place for installing your air conditioner. Choose the type of molding you want to go around the room side of the cabinet. Your choice affects the finish frame line-up with the inside wall. When using a wood, metal or plastic molding, the finish frame should almost line up with the inside wall. If the wall is plastered to the cabinet and no molding is used, the finish frame must be set into the wall by $\frac{1}{2}$ " (see Figure 2 for frame construction or Figure 3 for brick veneer construction). Cut through two studs for support.
- B. Provide an opening through the wall for a finish frame. Observe all local governing codes and ordinances. For wall opening dimensions, use those shown in Figure 1 and add wood frame thickness (use 1" lumber or heavier). When you decide finish frame thickness, be sure you do not cover side cabinet louvers. A 4" space between louvers on cabinet sides and adjoining wall will allow proper airflow into air conditioner.
- C. Construct the finish frame. Apply creosote or something equal to the outside to protect the wood.
- D. Install the finish frame in the wall opening. Square and level frame and nail it well to the studs.
- E. Pull air conditioner unit out of exterior cabinet (read steps 3 and 4 of window installation instructions).
- F. Move outside cabinet through the wall opening. Leave overhang into the room at the top of cabinet (after allowing for trim) for service cord entry clearance on left side of cabinet. For proper outside water drainage, shim or reposition cabinet to provide the proper downward tilt to the outside ($\frac{1}{2}$ bubble or $\frac{5}{8}$ ") and side-to-side leveling.
- G. Fill all the spaces between the cabinet and the finish frame with insulation.
- H. Drill holes in the cabinet and attach it well to finish frame. Use ten #10 x 1" wood screws (four screws for each side and two screws for the top; not included).
- I. Insert air conditioner into cabinet and attach front (read steps 17 through 19 of window installation instructions).
- J. Caulk all outside wall openings around cabinet.
- K. If needed, install decorative molding around room side of cabinet.

See electrical requirements on "Things You Ought To Know" sheet and Owner's Manual for electrical and starting instructions.