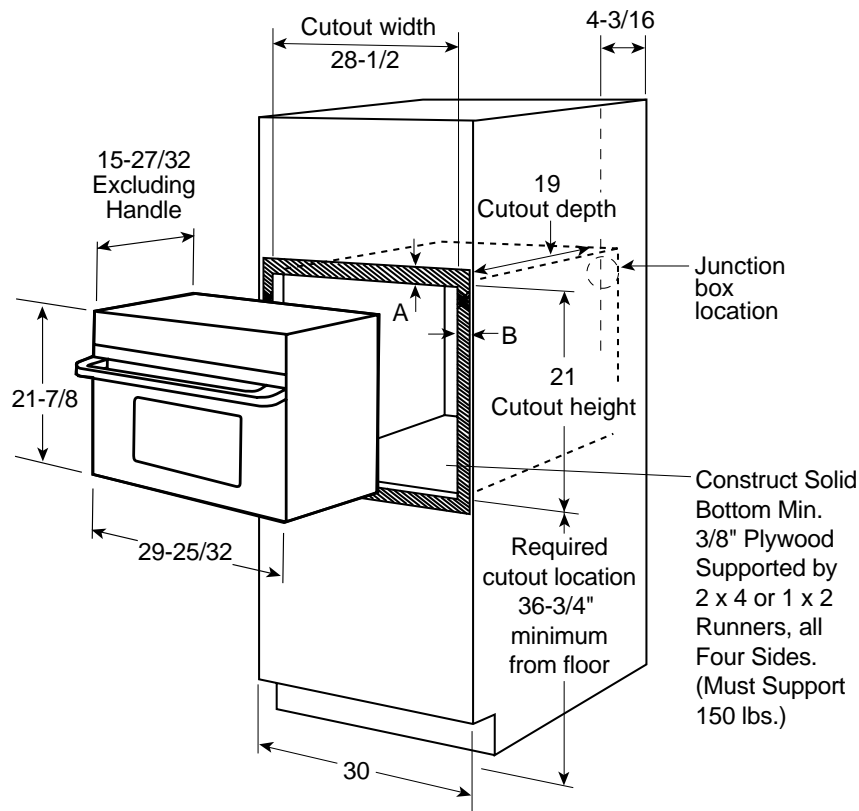




Profile™

SCB2001F – Advantium™ Wall Oven

Dimensions (in inches)



Note: Cabinets installed adjacent to wall ovens must have an adhesion spec of at least 194°F temperature rating.

Most 30" Wall Cabinets can be used with this unit.

Note: 2" minimum between cutouts when installed above warming drawer or single wall oven.

A=Allow 1" overlap of oven over top and bottom edges of cutout.
B=Allow 11/16"-3/4" for overlap of oven over side edges of cutout.



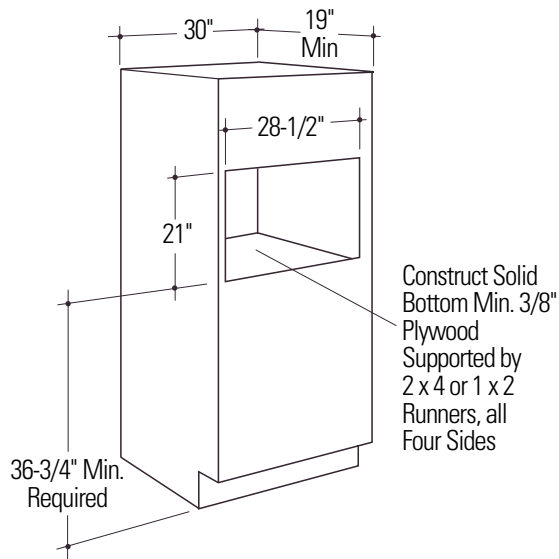
For answers to your Monogram®, GE Profile™ or GE appliance questions, visit our website at GEAppliances.com or call GE Answer Center® service, 800.626.2000.



Profile™

SCB2001F – Advantium™ Wall Oven

Single Speedcook Installation



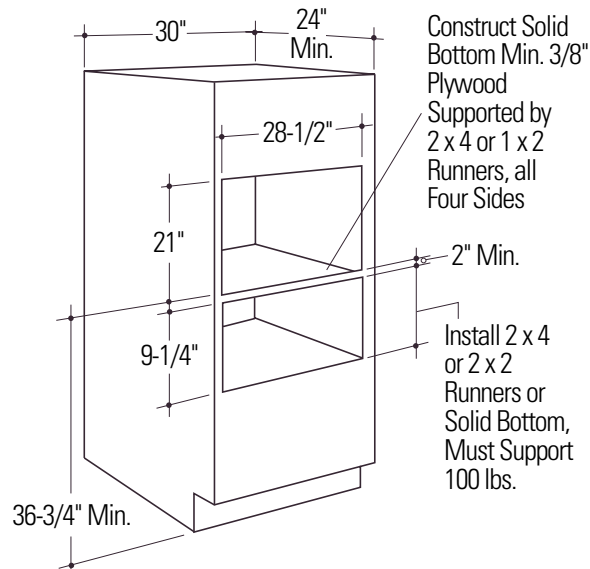
Order a 30" wide single oven cabinet or cut the opening in a wall to dimensions shown.

The rough opening must be:

- Depth – 19" Min.
- Width – 28-1/2" Min.
- Height – 21" Min.
- 36-3/4" from the floor to the cutout is required.
- These ovens require 3/4" overlap on each side, top and bottom of the cutout.
- Oven overlaps will conceal cut edges on all sides of the opening.

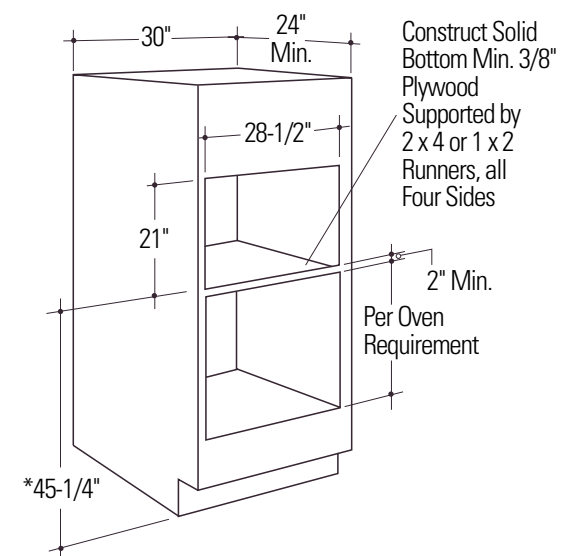
Specification Revised 11/03
240430

Speedcook Oven Installation above a GE Warming Drawer



Note: Additional clearance between the cutouts may be required. Check to be sure the oven supports above the Warming Drawer location does not obstruct the required interior 23-1/2" depth and 9-1/4" height. See installation instructions for details.

Speedcook Oven Installation above a single GE Built-In Wall Oven



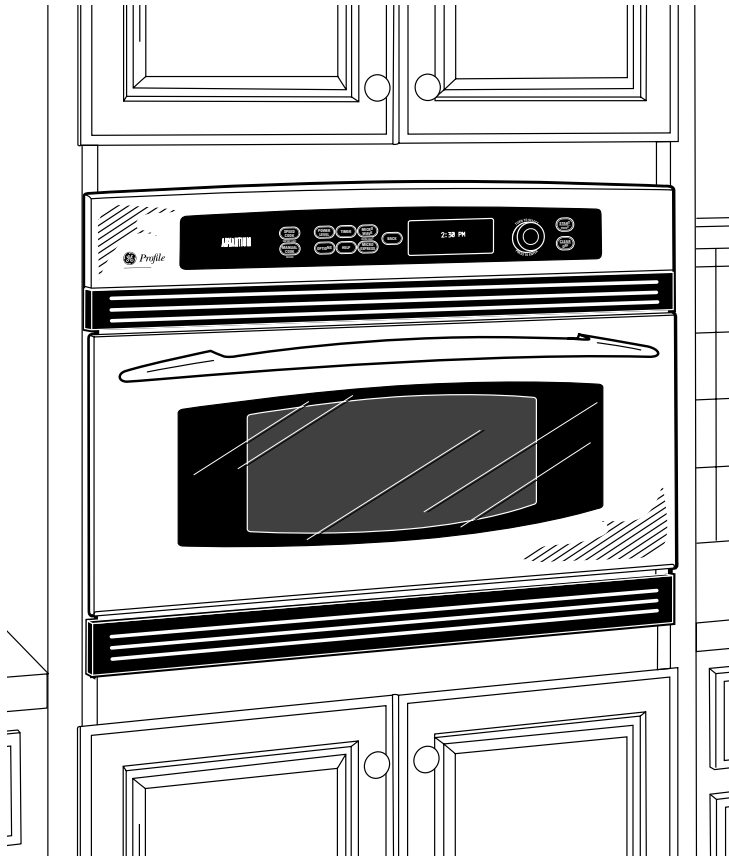
Listed by
Underwriters
Laboratories

For answers to your Monogram®, GE Profile™ or GE appliance questions, visit our website at GEAppliances.com or call GE Answer Center® service, 800.626.2000.



Profile™

SCB2001F – Advantium™ Wall Oven



Features and Benefits

- Revolutionary Speedcook Technology Cooks Oven-Quality Food Up to Eight Times Faster Than a Conventional Oven
- Over 100 Pre-Programmed Menu Items, Repeat Last, Help and Demo Modes
- Electronic Scrolling Display with Variable Scroll Speed
- Bakes, Browns, Broils, Grills and Roasts – All with No Preheating
- Converts to Fully Functional 950 Watt Sensor Microwave Oven
- Family-Size Oven with Stainless Steel Interior
- Microwave Oven Features Humidity Sensor and Auto Defrost/Time Defrost
- Cooking Complete Reminder with Beeper Sound Level Control
- Interior Oven Light
- Child Lock Out
- Sculptured Handle
- Frameless Glass Oven Door with Window
- Cookbook and Pan Set Included
- Model SCB2000FWW – White on white
- Model SCB2000FBB – Black on black
- Model SCB2000FCC – Bisque on bisque
- Model SCB2001FSS – Stainless steel