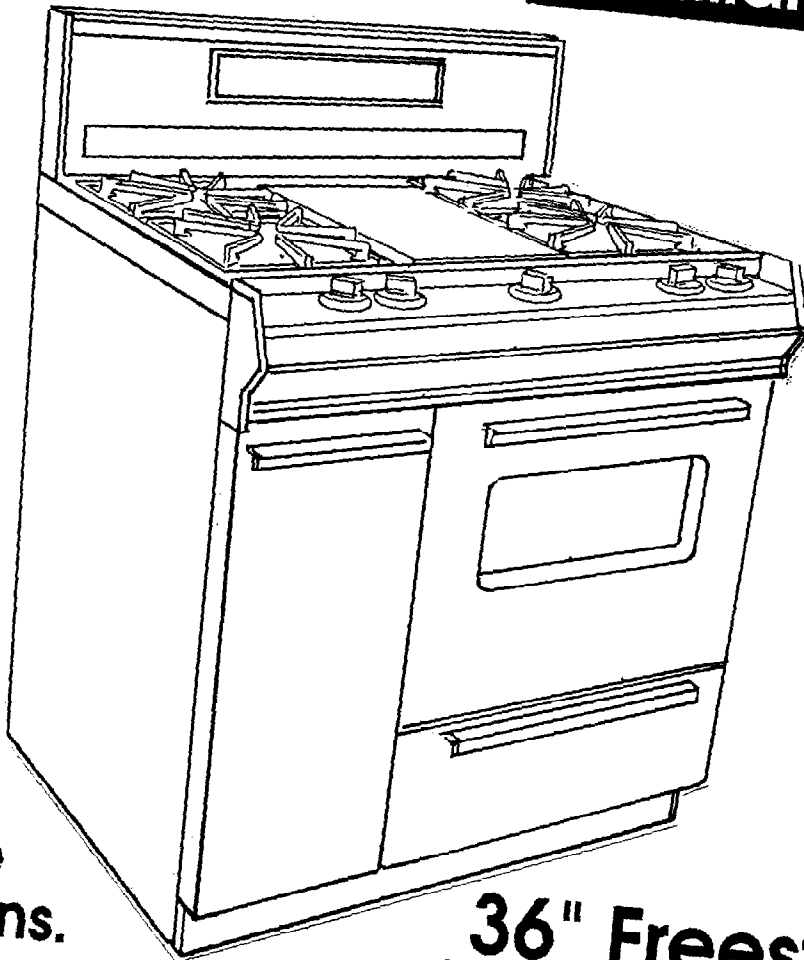


# Installation Instructions



**IMPORTANT:**  
Read and save  
these instructions.

**IMPORTANT:**  
**Installer:** Leave Installation Instructions  
with the homeowner.  
**Homeowner:** Keep Installation Instructions  
for future reference.  
**Save** Installation Instructions for local  
electrical inspector's use.

Part No. 76918-00/4362940

## 36" Freestanding Gas Range

**Whirlpool**  
Home Appliances  
12-92

## Before you start...

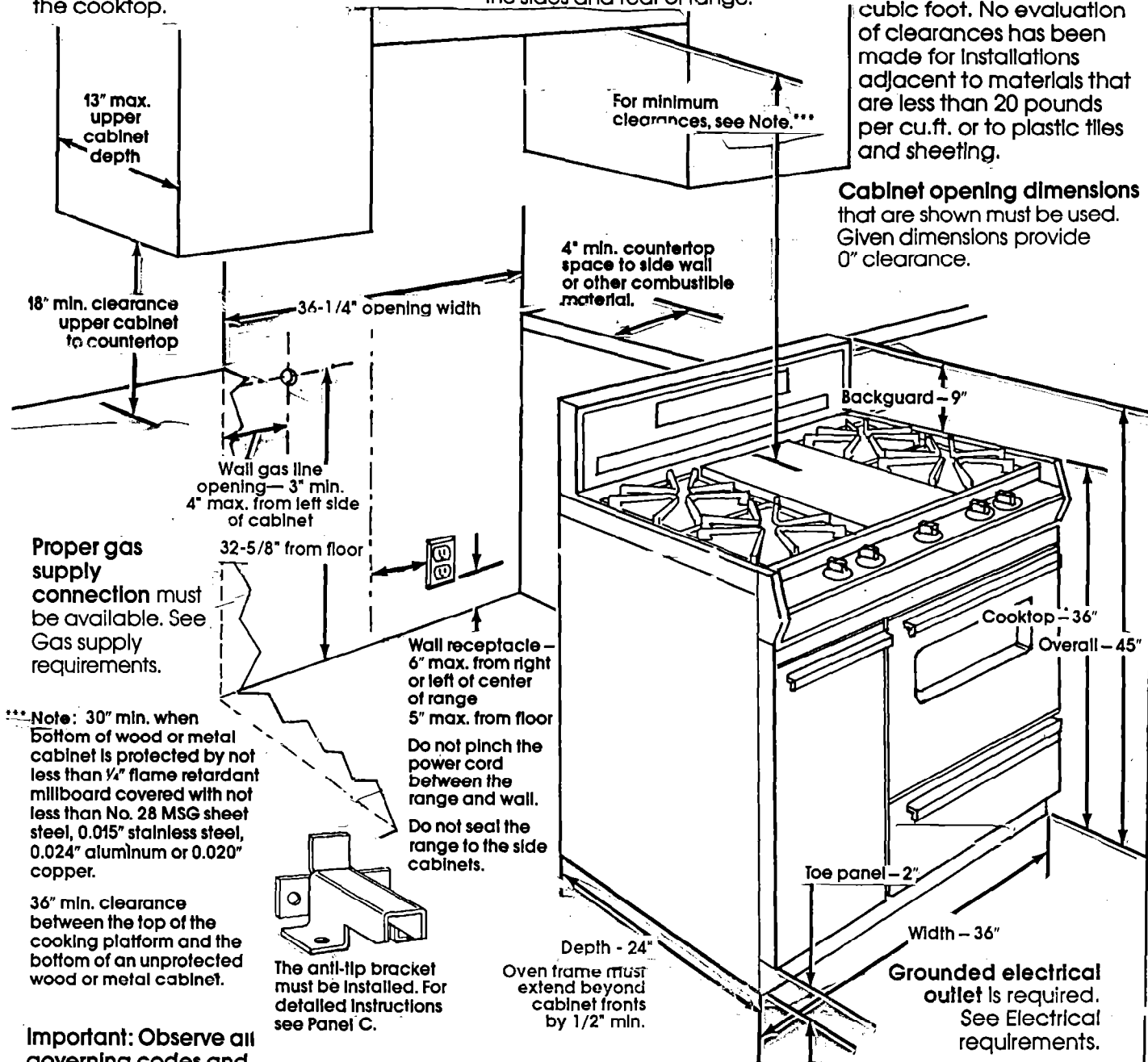
Proper installation is your responsibility. Make sure you have everything necessary for correct installation. It is the responsibility of the installer to comply with the installation clearances specified on the serial/rating plate. The serial/rating plate can be found under the cooktop.

Check location where range will be installed. The location should be away from strong draft areas, such as windows, doors, and strong heating vents or fans. The range should be located for convenient use in the kitchen. Recessed installations must provide complete enclosure of the sides and rear of range.

ALL OPENINGS IN THE WALL OR FLOOR WHERE THE RANGE IS TO BE INSTALLED MUST BE SEALED.

Note: Clearances specified are for combustible walls and materials that have a density of 20 or more pounds per cubic foot. No evaluation of clearances has been made for installations adjacent to materials that are less than 20 pounds per cu.ft. or to plastic tiles and sheeting.

Cabinet opening dimensions that are shown must be used. Given dimensions provide 0" clearance.



Proper gas supply connection must be available. See Gas supply requirements.

\*\*\*Note: 30" min. when bottom of wood or metal cabinet is protected by not less than 1/4" flame retardant millboard covered with not less than No. 28 MSG sheet steel, 0.015" stainless steel, 0.024" aluminum or 0.020" copper.

36" min. clearance between the top of the cooking platform and the bottom of an unprotected wood or metal cabinet.

The anti-tip bracket must be installed. For detailed instructions see Panel C.

Important: Observe all governing codes and ordinances. Failure to meet codes and ordinances could lead to fire or electrical shock hazard.

## CAUTION

### Property Damage

- Contact a qualified floor covering installer to check that the floor covering can withstand heat at least 90°F above room temperature.
- Use an insulated pad or 1/4" plywood under range if installing range over carpeting.

Failure to do so may result in damage to floor covering.

### Mobile Home Installation

The installation of this range must conform to the Manufactured Home Construction and Safety Standards, Title 24 CFR, Part 3280 (formerly the Federal Standard for Mobile Home Construction and Safety, Title 24, HUD Part 280) or when such standard is not applicable, the Standard for Manufactured Home Installation 1982 (Manufactured Home Sites, Communities and Setups), ANSI Z225.1-1987, or latest edition, or with local codes.

When this range is installed in a mobile home, it must be secured to the floor during transit. Any method of securing the range is adequate as long as it conforms to the standards listed above.

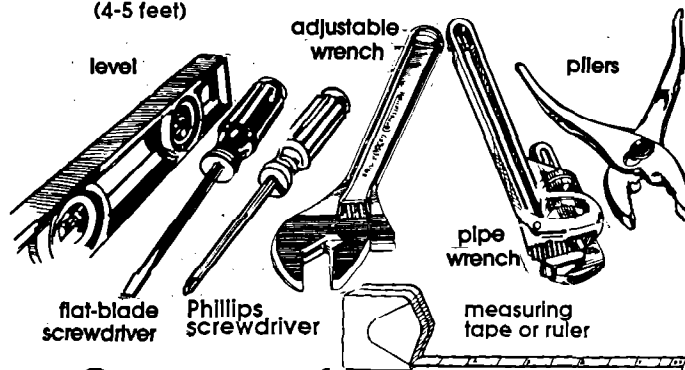
Copies of the standards listed may be obtained from:

\*National Fire Protection Association  
Batterymarch Park  
Quincy, Massachusetts 02269

\*\*American Gas Association  
1515 Wilson Boulevard  
Arlington, Virginia 22209

## Tools and materials needed for installation:

- hand or electric drill
- wood floors: 1/8" drill bit
- concrete/ceramic floors: 1/4" masonry drill bit
- gas line shutoff valve
- L.P.-resistant pipe-joint compound
- AGA design-certified flexible metal connector (4-5 feet)



## Gas supply requirements

Important: Observe all governing codes and ordinances.

## WARNING

### Fire Hazard

- Range must be connected to a regulated gas supply.
- L.P. gas supply must Not exceed a pressure of 14" water column. This must be checked by a qualified technician before installing this range.
- Do Not use an open flame to test for leaks from gas connections.
- New, A.G.A. design-certified flexible gas line should be used when codes permit.

Failure to follow these instructions could result in a fire, explosion or personal injury.

## WARNING

### Fire Hazard

Do Not obstruct the flow of combustion and ventilation air.

### Personal Injury Hazard

Avoid installing cabinet storage above the cooking surface. If cabinets are already installed, reduce the hazard of reaching over a heated cooking surface by installing a range hood. The range hood should extend a minimum of 5 inches out from the bottom front of the cabinets. Reaching over a heated cooking surface could result in a serious burn or other personal injury.

### Electrical Shock Hazard

It is the customer's responsibility:

- To contact a qualified electrical installer.
- To assure that electrical installation is adequate and in conformance with National Electrical Code, ANSI/NFPA 70- latest edition,\* and all local codes and ordinances.

Failure to do so could result in fire, electrical shock or other personal injury.

**WARNING:** If the information in this manual is not followed exactly, a fire or explosion may result causing property damage, personal injury or death.

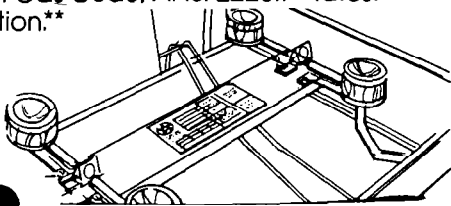
—Do Not store or use gasoline or other flammable vapors and liquids in the vicinity of this or any other appliance.

—WHAT TO DO IF YOU SMELL GAS

- Do Not try to light any appliance.
- Do Not touch any electrical switch; Do Not use any phone in your building.
- Immediately call your gas supplier from a neighbor's phone. Follow the gas supplier's instructions.
- If you cannot reach your gas supplier, call the fire department.

—Installation and service must be performed by a qualified installer, service agency or the gas supplier.

**A.** This installation must conform with local codes and ordinances. In the absence of local codes, the installation must conform with American National Standard, National Fuel Gas Code, ANSI Z223.1—latest edition.\*\*



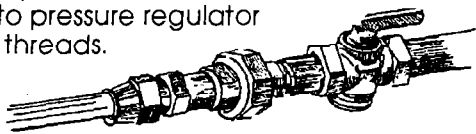
**B.** Input ratings shown on the serial/rating plate are for elevations up to 2,000 feet. For elevations above 2,000 feet, ratings are reduced at a rate of 4% for each 1,000 feet above sea level.

**C.** This range is equipped for use with NATURAL gas. It is design-certified by A.G.A. for NATURAL and L.P. gases with appropriate conversion. The serial/rating plate, located under the cooktop, has information on the type of gas that can be used. If this information does not agree with the type of gas available, check with the local gas supplier. See Panel E for L.P. gas conversion instructions.

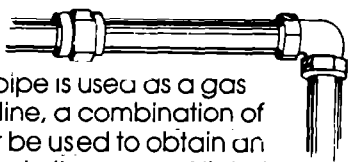
**D.** Provide a gas supply line of 3/4" rigid pipe to the range location. A smaller size pipe on long runs may result in insufficient gas supply. Pipe-joint compounds made for use with L.P. gas must be used. With L.P. gas, piping or tubing size can be 1/2" minimum. L.P. gas suppliers usually determine the size and materials used on their system.



**E.** If local codes permit, a new A.G.A. design-certified, 4-5 foot long, 1/2" or 3/4" I.D., flexible metal appliance connector is recommended for connecting this range to the gas supply line. Do Not kink or damage the flexible tubing when moving the range. A 1/2" male pipe thread is needed for connection to pressure regulator female pipe threads.



**F.** The supply line shall be equipped with an approved shutoff valve. This valve should be located in the same room as the range and should be in a location that allows ease of opening and closing. Do Not block access to shutoff valve.



**G.** If rigid pipe is used as a gas supply line, a combination of pipe fittings must be used to obtain an in-line connection to the range. All strains must be removed from the supply and fuel lines so range will be level and in line.

**H.** The inlet pressure to the regulator should be as follows for both operation and checking regulator setting:

**NATURAL GAS:**

- Set pressure 6 inches
- Maximum pressure 14 inches

**L.P. GAS:**

- Set pressure 11 inches
- Maximum pressure 14 inches

**I.** Line pressure testing:  
Testing above 1/2 lb psi (gauge)

The range and its individual shutoff valve must be disconnected from the gas supply piping system during any pressure testing of that system at test pressures greater than 1/2 psig (3.5 kPa).

**Testing at 1/2 lb psi (gauge)**

The range must be isolated from the gas supply piping system by closing its individual manual shutoff valve during any pressure testing of the gas supply piping system at test pressures equal to or less than 1/2 psig (3.5 kPa).

## Electrical requirements

### ⚠ WARNING

#### Electrical Shock Hazard

- Electrical ground is required on this appliance.
- If cold water pipe is interrupted by plastic, non-metallic gaskets or other insulating materials, Do Not use for grounding.
- Do Not ground to a gas pipe.
- Do Not modify the power supply cord plug. If it does not fit the outlet, have a proper outlet installed by a qualified electrician.
- Do Not have a fuse in the neutral or grounding circuit. A fuse in the neutral or grounding circuit could result in an electrical shock.
- Do Not use an extension cord with this appliance.
- Check with a qualified electrician if you are in doubt as to whether the appliance is properly grounded.

Failure to follow these instructions could result in serious injury or death.

If codes permit and a separate grounding wire is used, it is recommended that a qualified electrician determine that the grounding path is adequate.

A 120-volt, 60-Hz, AC-only, 15-ampere, fused electrical supply is required. A time-delay fuse or circuit breaker is recommended. It is recommended that a separate circuit, serving only this appliance be provided.

Electronic ignition systems operate within a wide voltage limit, but proper grounding and polarity are necessary. In addition to checking that the outlet provides 120-volt power and is correctly grounded, the outlet must be checked by a qualified electrician to see if it is wired with correct polarity.

A wiring diagram is included in the literature package. The wiring diagram is also located on the back of the range.

## Recommended grounding method

For your personal safety, this appliance must be grounded. This appliance is equipped with a power supply cord having a 3-prong grounding plug. To minimize possible shock hazard, the cord must be plugged into a mating, 3-prong, grounding-type, wall receptacle, grounded in accordance with the National Electrical Code, ANSI/NFPA 70—latest edition,\* and all local codes and ordinances. See Figure 1. If a mating wall receptacle is not available, it is the personal responsibility and obligation of the customer to have a properly grounded, 3-prong, wall receptacle installed by a qualified electrician.

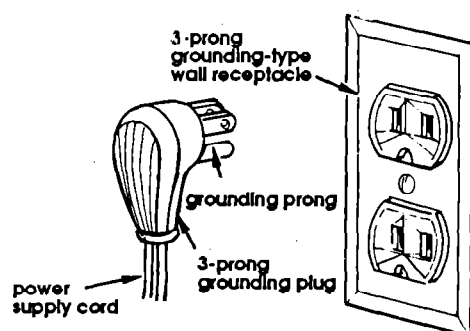
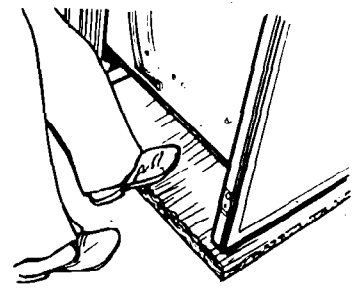


Figure 1

## Now start... With range in kitchen.

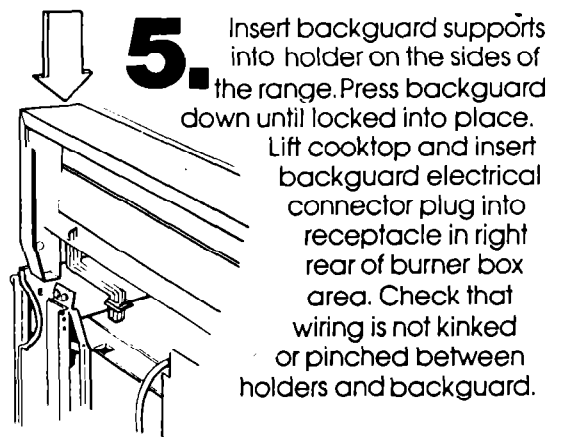
**1.** Remove racks and other parts from inside oven.



**2.** Place one foot on the shipping base. Tilt range forward slightly to free rear legs. Gently lower range to floor. Tilt range backwards until front legs are free.

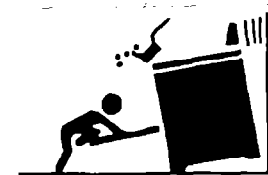
**3.** Remove shipping materials, tape and protective film from range. Do not remove cardboard shipping base at this time.

**4.** Adjust the leveling legs approximately 1/4" or to a point where the range base does not touch the floor.

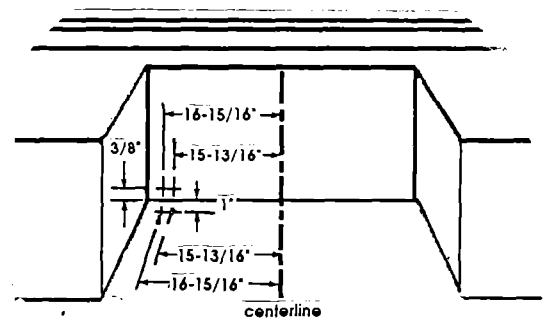


**5.** Insert backguard supports into holder on the sides of the range. Press backguard down until locked into place. Lift cooktop and insert backguard electrical connector plug into receptacle in right rear of burner box area. Check that wiring is not kinked or pinched between holders and backguard.

### ⚠ WARNING



- To prevent tipping, install range anti-tip bracket.
- Save these Installation Instructions. If range is moved to a new location, the anti-tip bracket must be removed and reinstalled in the new location.

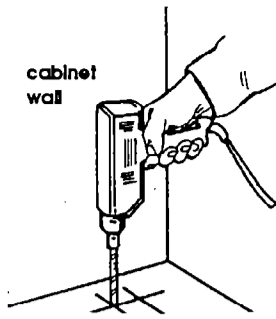


**6.** The anti-tip bracket must be installed. Anti-tip bracket may be fastened to the floor under the range or wall behind the range.  
**Install anti-tip bracket on wall:**  
• Measure and mark a line at the center of the cabinet opening on the rear wall. Measure and mark lines 15-13/16" and 16-15/16" from either the left (shown) or right side of the centerline on the rear wall. Measure and mark on the rear wall a line 3/8" from the floor.

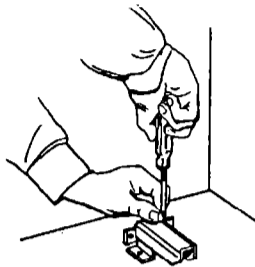
**Install anti-tip bracket on floor:**

- Measure and mark a line at the center of the cabinet opening on the rear wall. Measure and mark lines 15-13/16" and 16-15/16" from either the left (shown) or right side of the centerline on the rear wall. Measure and mark on the rear wall a line 1" from the floor.

Note: If there is a cabinet on only one side, install the anti-tip bracket next to the cabinet, using the measurements given.

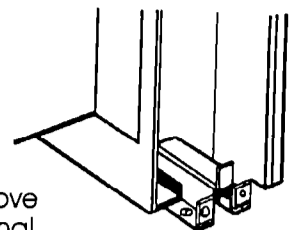


**To mount anti-tip bracket to concrete or ceramic floor or wall,** use a masonry drill bit to drill 1/4" holes at each mounting screw location. Tap plastic anchors into mounting holes in floor or wall.



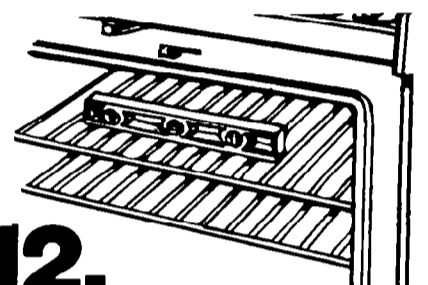
**8.** Line up holes in anti-tip bracket with holes in floor or wall. Use the screws provided to mount the anti-tip bracket to the floor or wall.

**9.** Move range close to final position. Remove shipping base, cardboard or hardboard from under the range. Plug power supply cord into grounded outlet.



**10.** Carefully move range into final position. Remove the broiler drawer. Look under range (a flashlight may be needed) to check that anti-tip bracket overlaps range base. If anti-tip bracket does not overlap base, remove range and reposition bracket to insure that range base will fit properly under bracket.

**11.** If installing the range in a mobile home, you **MUST** secure the range to the floor. Any method of securing the range is adequate as long as it conforms to the standards listed in the Mobile home installation instructions, Panel A.

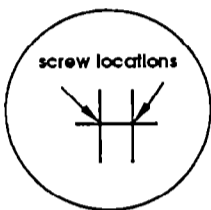


**12.** Place rack in oven. Place level on rack, first side to side; then front to back. If range is not level at the front, adjust the leveling legs up or down until the range is level. If rear of range needs adjusting, adjust rear leveling legs up or down until range is level. If rear legs are adjusted downward more than 1/8," add shims under anti-tip bracket.  
Note: Oven must be level for satisfactory baking conditions.

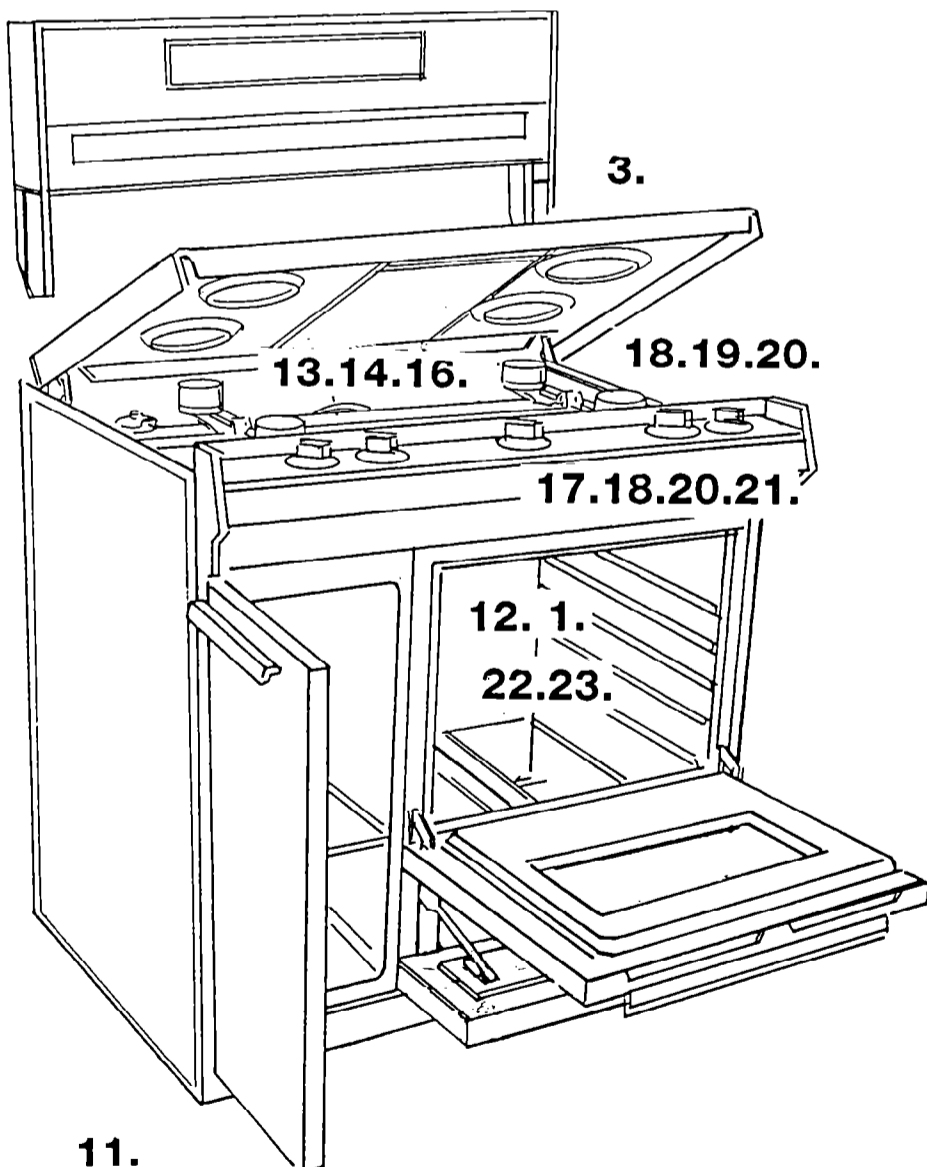
**CAUTION**

**Floor Damage**

- Contact a qualified floor covering installer for the best procedure to drill mounting holes through your type of floor covering.
- Before moving range across floor, check that range is on shipping base or slide range onto cardboard or hardboard. Failure to follow these instructions may result in damage to floor covering.



**7.** To mount anti-tip bracket to wood floor or wall, drill 1/8" holes at the two mounting screw locations where the two lines are crossed by the third line.

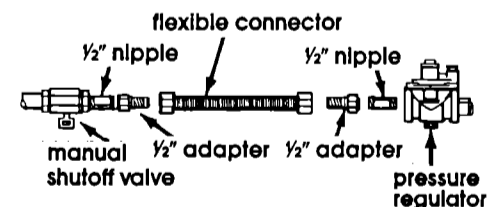


Numbers correspond to steps.

**WARNING**

**Fire Hazard**  
Do Not make connection too tight. The regulator is die cast. Overtightening may crack the regulator, resulting in a gas leak and possible fire or explosion.

All connections must be wrench-tightened.



**13.** Remove cooktop. Assemble the flexible connector from the gas supply pipe to the pressure regulator in this order: manual shutoff valve, 1/2" nipple, 1/2" adapter, flexible connector, 1/2" adapter, and 1/2" nipple.

**14.** Use pipe-joint compound made for use with L.P. gas to seal all gas connections. If flexible connectors are used, be certain connectors are not kinked.

**15.** Open the shutoff valve in the gas supply line. Wait a few minutes for gas to move through the gas line.

## ⚠ WARNING

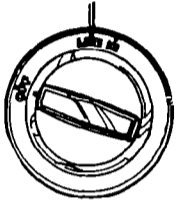
### Fire Hazard

Do Not use an open flame to test for leaks from gas connections. Checking for leaks with a flame may result in a fire or explosion.

**16.** Use a brush and liquid detergent to test all gas connections for leaks. Bubbles around connections will indicate a leak. If a leak appears, shut off gas valve controls and adjust connections. Then check connections again. **NEVER TEST FOR GAS LEAKS WITH A MATCH OR OTHER FLAME.** Clean all detergent solution from range.

### Electronic Ignition System

Cooktop and oven burner use electronic ignitors in place of standing pilots. When the cooktop control knob is turned to the "LITE" position, the system creates a spark to light the burner. This sparking continues until the control knob is turned to the desired setting. When the oven control is turned on, the ignitor will spark until oven burner pilot is lit.

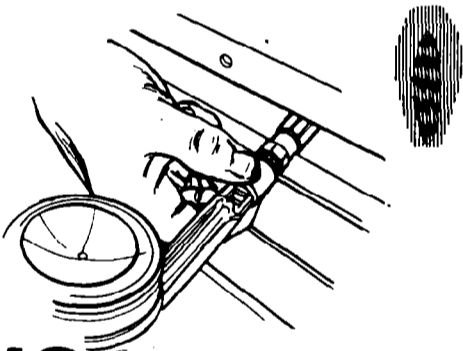


**17.** Check the operation of the cooktop burners. Push in and turn each control knob to "LITE"

position. The flame should light within 4 seconds.

**Do not leave the knob in the "LITE" position after burner lights.**

**18.** After burner lights, turn control knob to "HI" position. Check each cooktop burner for proper flame. The small inner cone should have a very distinct blue flame  $\frac{1}{4}$ " to  $\frac{1}{2}$ " long. The outer cone is not as distinct as the inner cone.



**19.** If burners need adjusting for proper flame, adjust the air shutter to the widest opening that will not cause the flame to lift or blow off the burner. Repeat as necessary with each burner.

**20.**

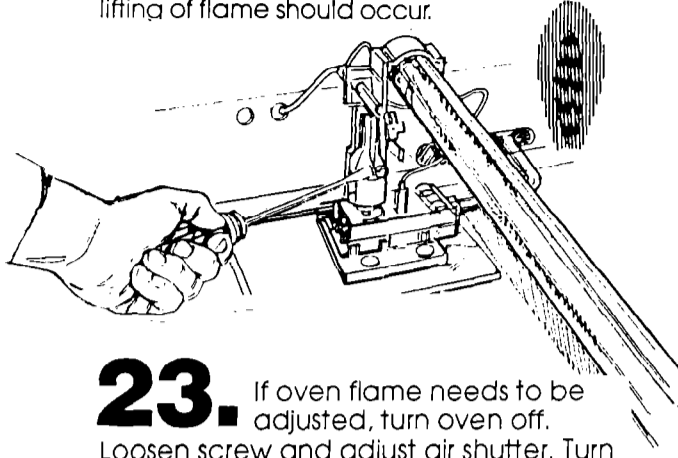
Push in and turn the control knob to the "LITE" position and then to a low position. The low flame should be a minimum, steady, blue flame.



**21.**

Check the oven burner for proper flame. Open the oven door and broiler drawer. Remove the lower oven rack and oven bottom. Push in and turn oven control knob to 300°F. The oven burner should light in 50-60 seconds. This delay is normal. The oven safety valve requires a certain time before it will open and allow gas to flow

**22.** Check the oven burner for proper flame. This flame should be  $\frac{1}{2}$ " long, with inner cone of bluish-green, an outer mantle of dark blue and should be clean and soft in character. No yellow tips, blowing or lifting of flame should occur.



**23.** If oven flame needs to be adjusted, turn oven off. Loosen screw and adjust air shutter. Turn oven back on and check flame. Repeat as needed until proper flame appears. Tighten screw. Replace oven bottom and oven rack.

You have just finished installing your new Whirlpool range. To get the most efficient use from your new range, read your Whirlpool Use & Care

### Congratulations!

Guide. Keep Installation Instructions and Guide close to range for easy reference. The Instructions will make reinstalling your Whirlpool range in another home as easy as the first installation.

# L.P. gas conversion

## ⚠ WARNING

### Fire Hazard

- Locate gas supply valve between pressure regulator and gas valve. Shut off gas supply valve in range before converting to L.P. gas.
- Make all cooktop and oven burner conversions before turning gas supply valve back on.

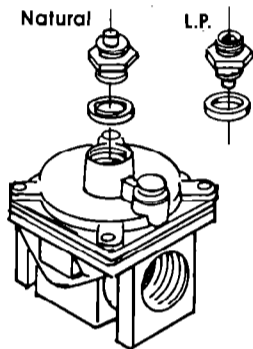
Failure to follow these instructions could result in fire, explosion or other personal injury.

## Converting to L.P. gas

Converting to L.P. gas should be done by a qualified installer.

### A.

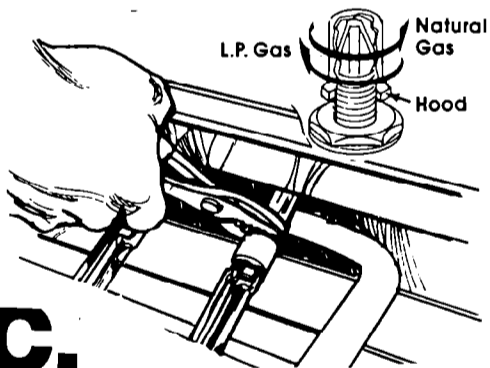
Complete installation Steps 1-12 before converting your range to L.P. gas. Remove oven racks and oven bottom. Open broiler drawer, Shut off gas supply valve in range. Remove burner grates and carefully lift up maintop.



### B.

#### Pressure regulator:

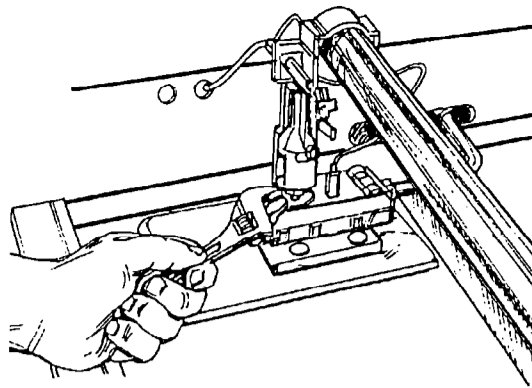
Use a wrench to unscrew the cap from the top by turning counterclockwise. Turn the cap over so the hole end is up. Replace the cap and gasket on the regulator. **DO NOT REMOVE THE PRESSURE REGULATOR.**



### C.

#### Cooktop burners:

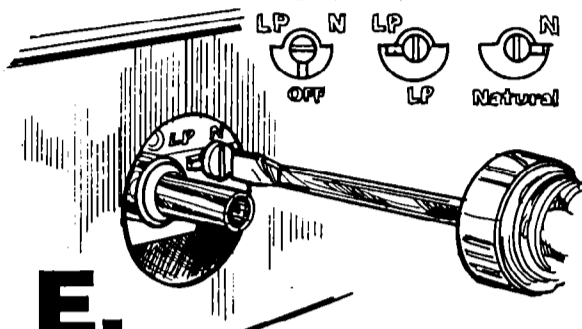
Turn the orifice hoods down snug onto pins (approximately 2 to 2-1/2 turns). **DO NOT OVERTIGHTEN.** The burner flames cannot be properly adjusted if this conversion is not made.



### D.

#### Oven burner:

Turn the orifice hood down snug onto pins (approximately 2 to 2-1/2 turns). **DO NOT OVERTIGHTEN.** The burner flames cannot be properly adjusted if this conversion is not made.



### E.

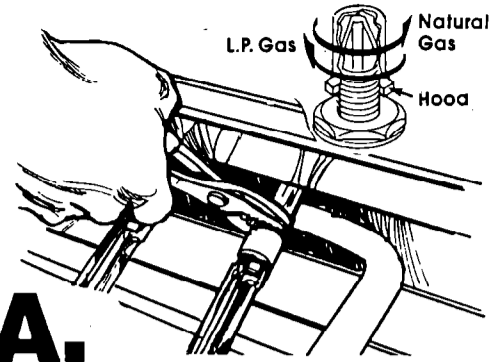
#### Oven thermostat:

Remove thermostat knob, pulling straight off. Use a small screwdriver to rotate the key to L.P. Replace thermostat knob.

### F.

After the burners have been converted to L.P. gas usage, complete Steps 13-16, Panels C and D.

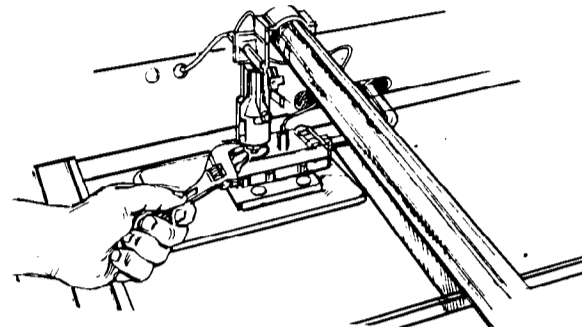
## Adjusting for proper flame



### A.

#### Cooktop burners:

Adjust the air shutters for proper flame by sliding the air shutter to close or open the shutter as needed. See Panel D, Steps 17-20. L.P. gas has a slightly yellow tip on top of burner flames in addition to the other proper characteristics.



### B.

**Oven burners:** Adjust the air shutters as needed for proper flame. See Panel D, Steps 21-23 for electronic ignition.

### C.

Replace oven bottom and oven racks. Reinstall the maintop and burner grates.

## If range does not operate...

- Check that the circuit breaker is not tripped or the house fuse blown.
- Check that power supply cord is plugged into wall receptacle.
- Check that the gas supply is turned on.

## For cleaning and maintenance...

If removing the range is necessary for cleaning and maintenance, shut off gas supply to the range. Disconnect the gas and electrical supply.

If the gas or electrical supply is inaccessible, lift the range slightly at the front and pull the range away from the wall. Pull the range out only as far as necessary to disconnect the gas and electric supply lines.

Remove the range to complete cleaning or maintenance.

Move range back into operating position. Level the range. Connect the gas line to the range and check for leaks. Plug electric power supply cord into outlet. Make sure that anti-tip bracket overlaps range base.

Refer to Use and Care Guide for operating instructions and cleaning instructions.

## If you need assistance.

The Whirlpool Consumer Assistance Center will answer any questions about operating or maintaining your range not covered in the Installation Instructions. The Whirlpool Consumer Assistance Center is open 24 hours a day, 7 days a week. Just dial (800) 253-1301 – the call is free.

When you call, you will need the range model number and serial number. Both numbers can be found on the serial/rating plate located under the cooktop.

### **WARNING**

**Personal Injury/  
Product Damage Hazard**  
**Do Not step, lean or sit on the  
range drawer or door.**  
**Failure to follow these instructions  
could result in personal injury  
and/or product damage.**

## If you need service...

In the event that your Whirlpool appliance should need service, call the dealer from whom you purchased the appliance or a Whirlpool-authorized service company. A Whirlpool-authorized service company is listed in the Yellow Pages of your telephone directory under "Appliances – Household – Major – Service or Repair." You can also obtain the service company's name and telephone number by dialing, free, within the continental United States, the Whirlpool Consumer Assistance Center telephone number, (800) 253-1301. A special operator will tell you the name and number of your nearest Whirlpool-authorized service company.

Maintain the quality built into your Whirlpool appliance – call a Whirlpool-authorized service company.

