

# KitchenAid® Side by Side Built-In Refrigerator

## PRODUCT MODEL NUMBERS

KSSC36FT	KSSC48QV	KSSS36FT
KSSC36QT	KSSO36FT	KSSS36QT
KSSC42FT	KSSO36QT	KSSS42FT
KSSC42QT	KSSO42FT	KSSS42QT
KSSC42QV	KSSO42QT	KSSS48FT
KSSC48FT	KSSO48FT	KSSS48QT
KSSC48QT	KSSO48QT	

**Electrical:** A 115 Volt, 60 Hz., AC only 15- or 20-amp fused, grounded electrical supply is required. It is recommended that a separate circuit serving only your refrigerator be provided. Use an outlet that cannot be turned off by a switch. Do not use an extension cord.

A grounded 3 prong electrical outlet should be placed within 4' (10.2 cm) of the right side cabinets or end panel.

**Water Supply:** A cold water supply with water pressure between 30 and 120 psi (207 and 827 kPa) is required to operate the water dispenser and ice maker. If you have questions about your water pressure, call a licensed, qualified plumber.

**IMPORTANT:** If a reverse osmosis water filtration system is connected to your cold water supply, the water pressure coming out of the reverse osmosis system going to the water inlet valve of the refrigerator needs to be between 30 and 120 psi (207 and 827 kPa).

The water shutoff should be located in the base cabinet on either side of the refrigerator or some other easily accessible area. If the water shutoff valve is not in the cabinets, the plumbing for the water line can come through the floor or the back wall.

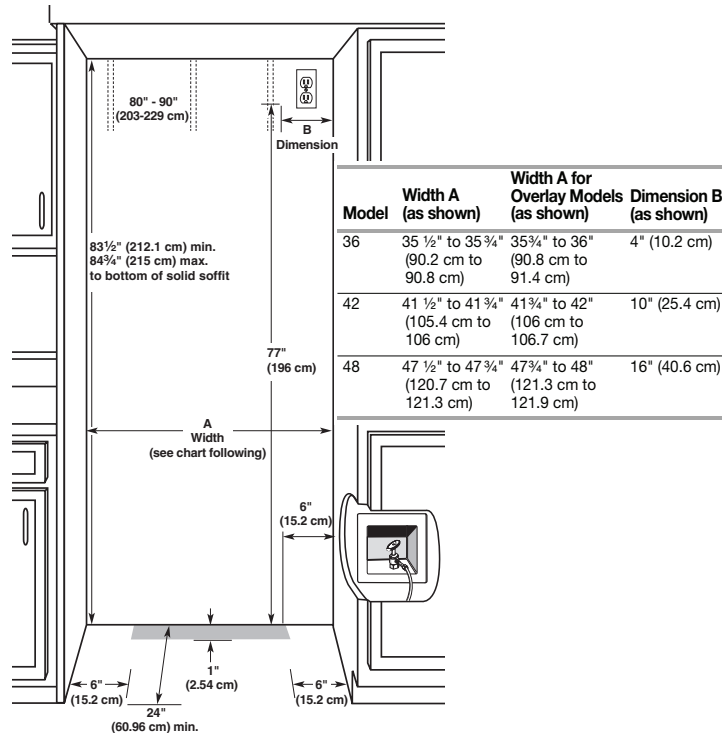
**Location:** Do not install the refrigerator near an oven, radiator, or other heat source, or in a location where the temperature will fall below 55°F (13°C). Floor must support the refrigerator weight, more than 600 lbs (272 kg), door panels and contents of the refrigerator.

## OPENING DIMENSIONS

To avoid tipping during use, the solid soffit must be within 1" (2.5 cm) maximum above the refrigerator. If the solid soffit is higher than 1" (2.5 cm) or one isn't available, then the refrigerator must be braced.

If the anti-tip boards are needed, they must be attached to the rear wall studs 80" to 90" (203 cm to 229 cm) above the floor. See "Install Anti-Tip Boards" for more information.

**NOTE:** A clearance of 1/2" (1.3 cm) above the top grille must be maintained in order for the top grille to be removed.



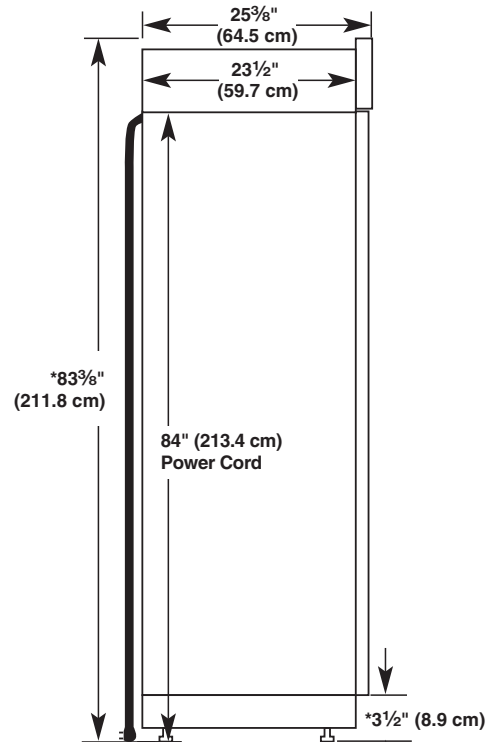
## IMPORTANT:

- Flooring under refrigerator must be at same level as the room. Face of cabinetry must be plumb.
- The width of the opening (Width A), must be as specified for your model, for at least 2" (5.08 cm) back from the face of the cabinet. If your opening does not meet this requirement, you will need to make modifications.

## PRODUCT DIMENSIONS

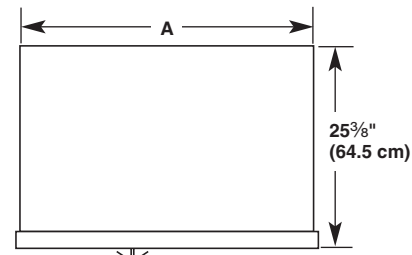
- The power cord is 84" (213 cm) long.
- The line attached to the back of the refrigerator is 5 ft. (1.5 m) long.
- Width dimensions were measured from trim edge to trim edge.
- The depth from the front of the top grille to the back of the refrigerator cabinet is 25 3/8" (64.5 cm).
- Height dimensions are shown with leveling legs extended 1/8" (3mm) below the rollers.

## SIDE VIEW



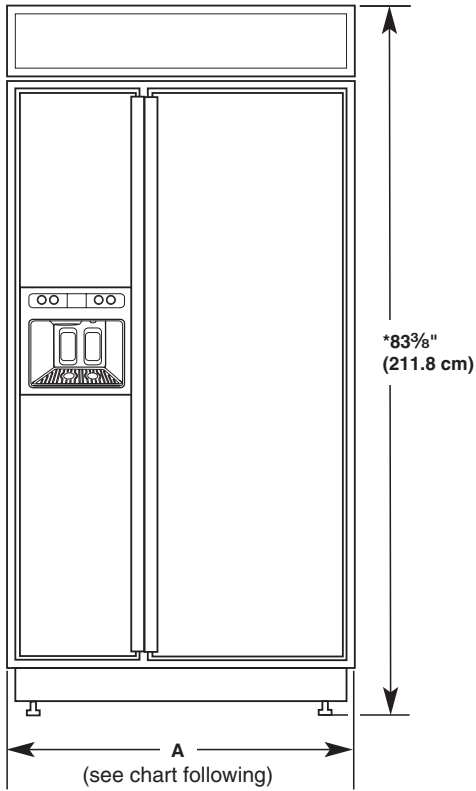
\*When leveling legs are fully extended to 1 1/4" (3.2 cm) below rollers, add 1 1/2" (2.9 cm) to the height dimensions.

## TOP VIEW



Model	Width A
36	35" (88.9 cm)
42	41" (104.1 cm)
48	47" (119.4 cm)

## FRONT VIEW



Model	Width A (Trim edge to trim edge)
36	36 <sup>1</sup> / <sub>4</sub> " (92.1 cm)
42	42 <sup>1</sup> / <sub>4</sub> " (107.3 cm)
48	48 <sup>1</sup> / <sub>4</sub> " (122.6 cm)

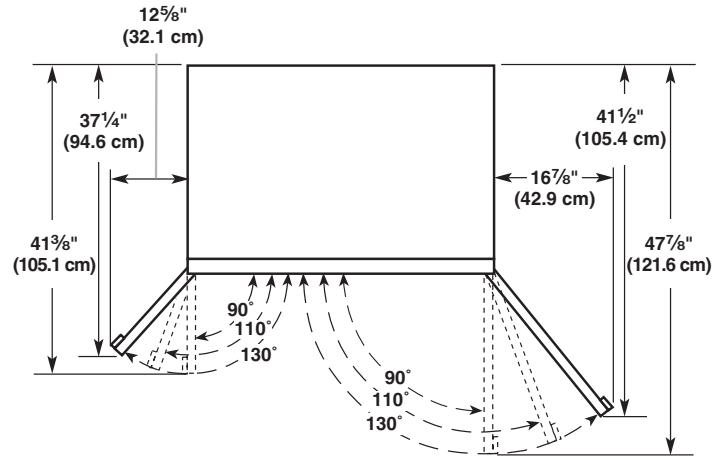
\*When leveling legs are fully extended to 1<sup>1</sup>/<sub>4</sub>" (3.2 cm) below rollers, add 1<sup>1</sup>/<sub>8</sub>" (2.9 cm) to the height dimensions.

## DOOR SWING DIMENSIONS

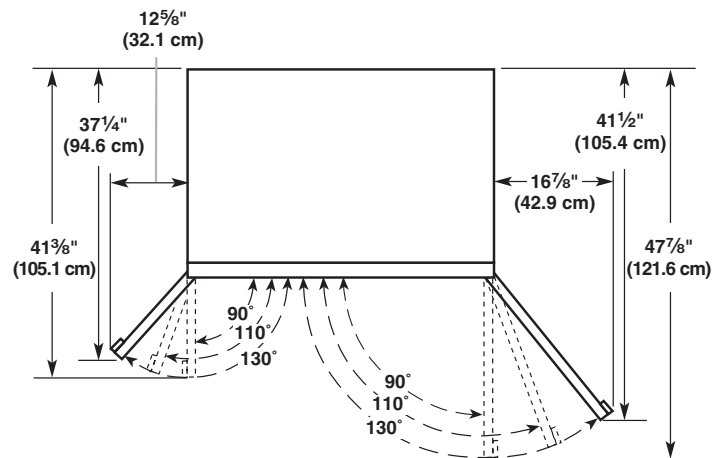
The location must permit both doors to open to a minimum of 90°. Allow 4<sup>1</sup>/<sub>2</sub>" (11.4 cm) minimum space between the side of the refrigerator and a corner wall.

**NOTE:** More clearance may be required if you are using overlay panels, custom handles, or extended handles on a Classic model.

### 36" (91.4 cm) Models



### 42" (106.7 cm) Models



### 48" (121.9 cm) Models

