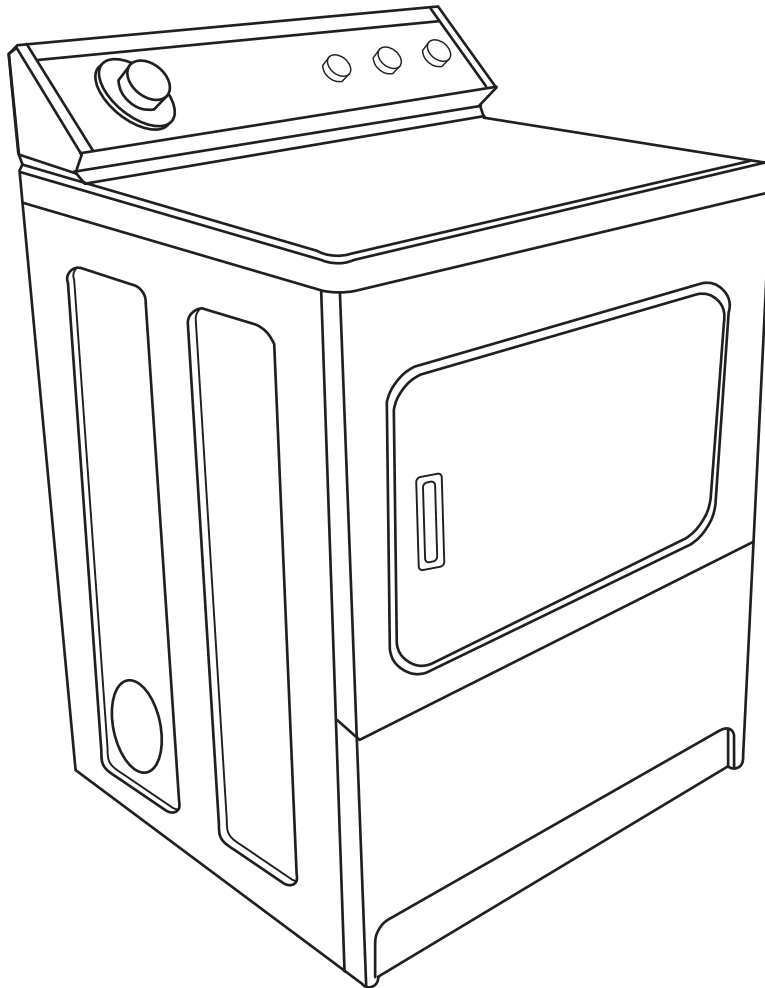

INSTALLATION INSTRUCTIONS ELECTRIC DRYER

INSTRUCCIONES DE INSTALACIÓN SECADORA ELÉCTRICA

INSTRUCTIONS D'INSTALLATION SECHE-LINGE ELECTRIQUE

Table of Contents	2
Índice	11
Table des matières	20



IMPORTANT: Save for local electrical inspector's use.

IMPORTANTE: Guarde para tener a disposición del inspector de electricidad local.

IMPORTANT : Conserver ces instructions à l'usage de l'inspecteur des installations électriques local.

TABLE OF CONTENTS

DRYER SAFETY	2	INSTALLATION INSTRUCTIONS – ELECTRIC DRYER	7
INSTALLATION REQUIREMENTS	3	Install Ventwork	7
Tools and Parts	3	Prepare Dryer	7
Location Requirements.....	3	Electrical Connection	8
Electrical Requirements	4	Level and Exhaust the Dryer	8
Venting Requirements	5	Check Operation	9

DRYER SAFETY

Your safety and the safety of others are very important.

We have provided many important safety messages in this manual and on your appliance. Always read and obey all safety messages.



This is the safety alert symbol.

This symbol alerts you to potential hazards that can kill or hurt you and others.

All safety messages will follow the safety alert symbol and either the word “DANGER” or “WARNING.” These words mean:

 **DANGER**

You can be killed or seriously injured if you don't immediately follow instructions.

 **WARNING**

You can be killed or seriously injured if you don't follow instructions.

All safety messages will tell you what the potential hazard is, tell you how to reduce the chance of injury, and tell you what can happen if the instructions are not followed.



WARNING - “Risk of Fire”

- Clothes dryer installation must be performed by a qualified installer.
- Install the clothes dryer according to the manufacturer's instructions and local codes.
- Do not install a clothes dryer with flexible plastic venting materials. If flexible metal (foil type) duct is installed, it must be of a specific type identified by the appliance manufacturer as suitable for use with clothes dryers. Flexible venting materials are known to collapse, be easily crushed, and trap lint. These conditions will obstruct clothes dryer airflow and increase the risk of fire.
- To reduce the risk of severe injury or death, follow all installation instructions.
- Save these instructions.

INSTALLATION REQUIREMENTS

Tools and Parts

Gather the required tools and parts before starting installation. Read and follow the instructions provided with any tools listed here.

Tools needed

- Flat-blade screwdriver
- Phillips screwdriver
- Adjustable wrench that opens to 25 mm (1")
- Hex-head socket wrench
- Level
- Socket wrench or nut driver — 6 mm (1/4")
- Utility knife
- Vent clamps
- Pipe-joint compound resistant to LP gas
- Caulk gun and caulk (for installing new exhaust vent)
- Tin snips


Parts supplied

Remove parts bag from dryer drum. Check that all parts were included.

- 4 leveling legs

Location Requirements

⚠ WARNING



Explosion Hazard

Keep flammable materials and vapors, such as petrol, away from dryer.

Place dryer at least 460 mm (18 inches) above the floor for a garage installation.

Failure to do so can result in death, explosion, or fire.

IMPORTANT: Observe all governing codes and ordinances.

- Check code requirements: Some codes limit or do not permit installation of clothes dryers in garages, closets, or sleeping quarters. Contact your local building inspector.
- Make sure that lower edges of the cabinet, plus the back and bottom sides of the dryer, are free of obstructions to permit adequate clearance of air openings for combustion air. See “Recessed Area and Closet Installation Instructions” for minimum spacing requirements.
- Adequate ventilation must be provided to avoid a backflow of gases into the room from appliances burning other fuels, including open fires.

NOTE: The dryer must not be installed in an area where it will be exposed to water and/or weather. If room temperature is below 7° C (45° F), automatic cycles may not shut off.

- Maximum slope under entire dryer should not be more than 25 mm (1"). If slope is greater than 25 mm (1"), install Extended Dryer Feet Kit, Part No. 279810. Clothes may not tumble properly and automatic sensor cycles may not operate correctly if dryer is not level. Floor must be able to support dryer weight of 79,4 kg (175 lbs).

Recessed Area and Closet Installation Instructions

This dryer may be installed in a recessed area or closet. For recessed area and closet installations, minimum clearances can be found on the serial tag on the dryer.

The installation spacing is in millimeters (inches) and is the minimum allowable. Additional spacing should be considered for ease of installation, servicing, and compliance with local codes and ordinances.

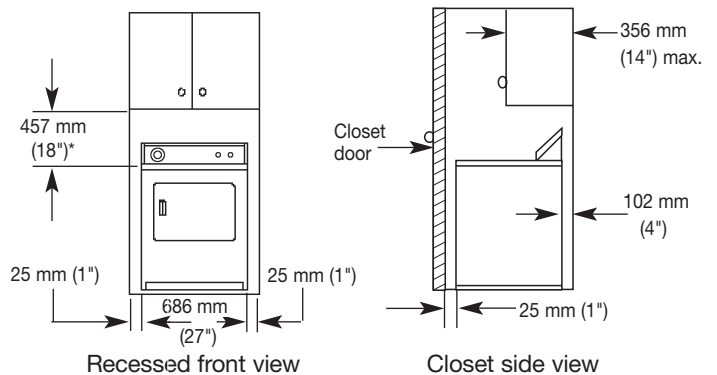
If closet door is installed, the minimum unobstructed air opening in the top and bottom is required. Louvered doors with equivalent air openings are acceptable.

This dryer must not be installed behind a lockable door, a sliding door, or a door with a hinge on the opposite side to that of the dryer.

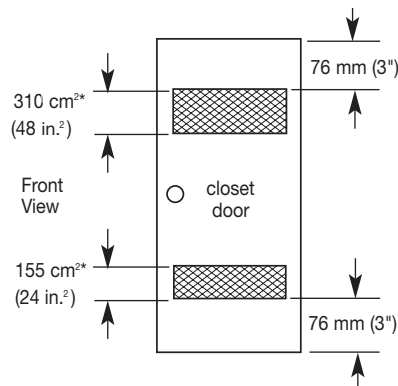
The dryer must be exhausted outdoors.

No other fuel-burning appliance may be installed in the same closet as the dryer.

Minimum Installation Clearances



*Additional clearances for wall, door and floor moldings may be required or if external exhaust elbow is used.

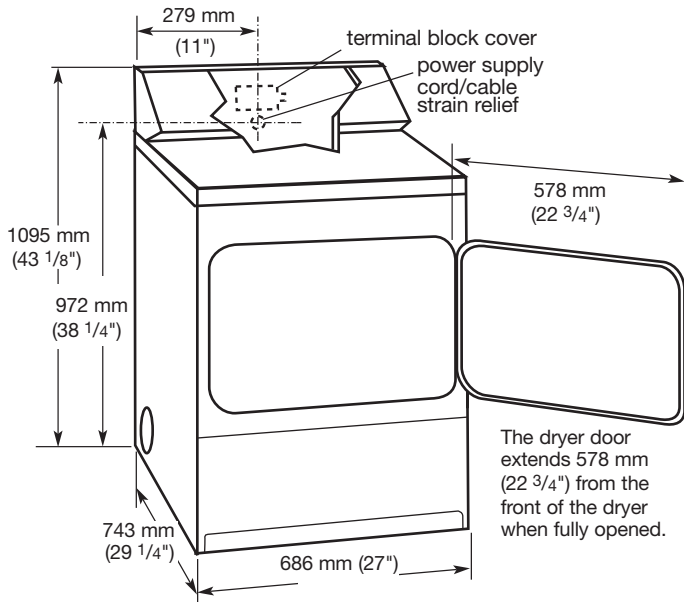


*Opening is the minimum for a closet door.

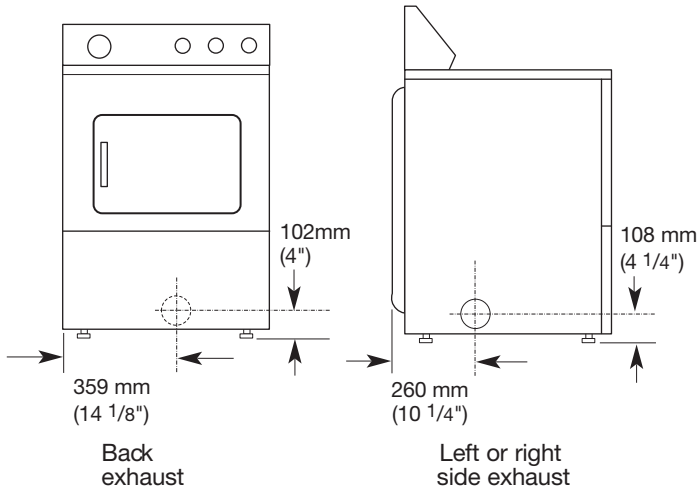
Louvered doors with equivalent air openings are acceptable.

Product Dimensions

Dimensions shown with feet extended 25 mm (1") from bottom of dryer.



Exhaust dimensions



Electrical Requirements

IMPORTANT: Observe all governing codes and ordinances.

This dryer is supplied/fitted with an electricity supply cord and European 16A plug. It should be connected to electricity supply socket at the voltage shown on the rating plate. The minimum supply fuse capacity should be 16A. The dryer must be positioned so that the plug is accessible. If the fitted plug is not used, the electrical connection must be carried out by a competent electrician in accordance with local or national codes.

If the supply cord is damaged, it must be replaced with a specially terminated cord by an authorized service agent or a similarly competent person.

Do not use an adapter.

Do not use an extension cord or portable electrical outlet device with this dryer.

NOTE: In accordance with the European EMC Directive (89/336/EEC) the maximum electricity supply system impedance to which the electric dryer should be connected is declared to be 0.302 Ohm + j0.189 Ohm.

! WARNING



Electric Shock Hazard

Electric earthing is required on this dryer.

Do not earth to a gas pipe.

Do not change the power supply cord plug. If it does not fit the outlet, have a proper outlet installed by a qualified electrician.

Do not have a fuse in the neutral or earthing circuit.

Do not use an extension cord with this dryer.

Check with a qualified electrician to be sure the dryer is properly earthed.

Failure to follow these instructions could result in death, fire, or serious injury.

If codes permit and an additional earth bond wire is used, it is recommended that a qualified electrician determine that the earth bond path is adequate.

Recommended Earthing Method

- It is your responsibility to contact a qualified electrical installer to ensure that the electrical installation is adequate and in conformance with all local codes and ordinances.

EARTHING INSTRUCTIONS

- This dryer must be earthed. In the event of a malfunction or breakdown, earthing will reduce the risk of electric shock by providing a path of least resistance for electric current. This dryer uses a cord having an equipment-earthing conductor and an earthing plug. The plug must be plugged into an appropriate outlet that is properly installed and earthed in accordance with all local codes and ordinances.

WARNING: Improper connection of the equipment-earthing conductor can result in a risk of electric shock. Check with a qualified electrician or service representative or personnel if you are in doubt as to whether the dryer is properly earthed. Do not modify the plug on the power supply cord: if it will not fit the outlet, have a proper outlet installed by a qualified electrician.

SAVE THESE INSTRUCTIONS

Venting Requirements

WARNING



Fire Hazard

- Use a heavy metal vent.**
- Do not use a plastic vent.**
- Do not use a metal foil vent.**
- Failure to follow these instructions can result in death or fire.**

WARNING: To reduce the risk of fire, this dryer **MUST BE EXHAUSTED OUTDOORS.**

IMPORTANT: Observe all governing codes and ordinances.

- The dryer exhaust must not be connected into any gas vent, chimney, wall, ceiling, attic, crawlspace or a concealed space of a building, or any other vent used for venting.
- Do not use an exhaust hood with a magnetic latch.
- Do not install flexible metal vent in enclosed walls, ceilings, or floors.
- 102 mm (4") heavy metal vent and clamps must be used.
- Use clamps to seal all joints. Vent must not be connected or secured with screws or other fastening devices which extend into the interior of the vent and can catch lint. Do not use duct tape.

Use a heavy metal vent. Do not use plastic or metal foil vent.

Rigid metal vent is recommended to prevent crushing and kinking.

Only rigid or flexible metal vent shall be used for exhausting.

The total length of flexible metal vent should not exceed 2.4 m (7 3/4 ft).

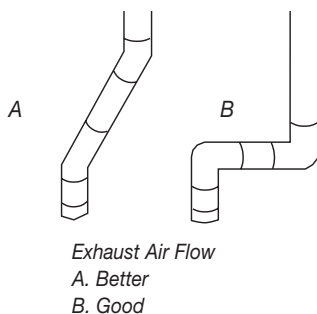
Flexible metal vent must be fully extended and supported when the dryer is in its final position. Remove excess flexible metal vent to avoid sagging and kinking that may result in reduced airflow and poor performance.

An exhaust hood should cap the vent to prevent rodents and insects from entering the home or business.

Exhaust hood must be at least 305 mm (12") from the ground or any object that may be in the path of the exhaust (such as flowers, rocks, or bushes).

If using an existing vent system, clean lint from the entire length of the system and make sure exhaust hood is not plugged with lint. Replace any plastic or metal foil vent with rigid metal or flexible metal vent.

Plan installation to use the fewest number of elbows and turns. Avoid making 90° turns.



Allow as much room as possible when using elbows or making turns. Bend vent gradually to avoid kinking.

The vent can be routed up, down, left, right, behind the dryer or straight out the back of the dryer.

The exhaust outlet is located at the center of the rear of the dryer.

The design of the flue system should ensure that any condensate subsequently evaporated or discharged. Following these installation instructions should adequately meet this requirement.

Vent System Length

Maximum length of vent system depends upon the type of vent used, number of elbows and type of exhaust hood. The maximum length for both rigid and flexible vent is shown in the chart.

Maximum Vent Length

102 mm (4") Diameter Exhaust Hoods



Rigid Metal Vent

No. of 90° turns	Box Hood and Louvered Style	Angled Hood Style
0	15,8 m (52 ft.)	13,4 m (44 ft.)
1	13,4 m (44 ft.)	11,0 m (36 ft.)
2	11,0 m (36 ft.)	8,5 m (28 ft.)
3	8,2 m (27 ft.)	6,4 m (21 ft.)
4	6,1 m (20 ft.)	4,3 m (14 ft.)

For vent systems not covered by the vent specification chart (such as multiple unit hookups, plenums, and power-assist fans), see Whirlpool Service Manual, "Exhausting Whirlpool Dryers," Part No. LIT603197, available from your Whirlpool parts distributor.

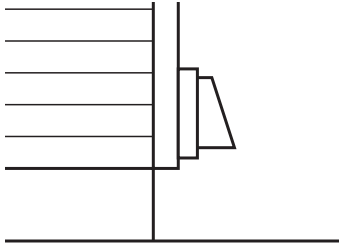
If dryer is installed in a confined area, such as a bedroom, bathroom or closet, provision must be made for enough air for combustion and ventilation. (Check governing codes and ordinances.) See "Recessed Area and Closet Installation Instructions" in the "Location Requirements" section.

A four-inch outlet hood is preferred. However, a 64 mm (2½") outlet exhaust hood may be used. A 64 mm (2½") outlet creates greater back pressure than other hood types. For permanent installation, a stationary vent system is required.

INSTALLATION INSTRUCTIONS - ELECTRIC DRYER

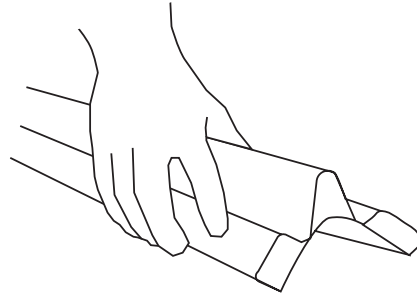
Install Ventwork

1. Install exhaust hood. Use caulking compound to seal exterior wall opening around exhaust hood.

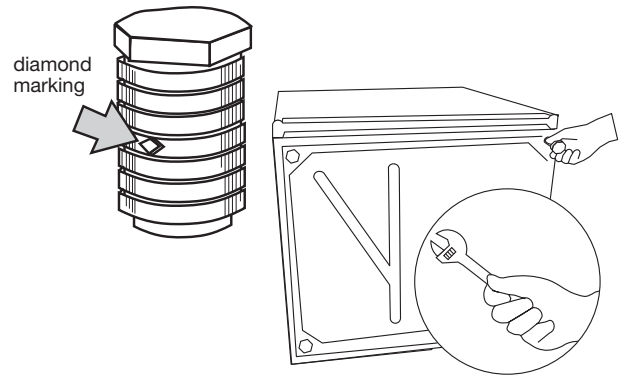


2. Connect exhaust vent to hood. (Exhaust vent MUST fit inside hood.) Secure vent to hood with a 102 mm (4") clamp.
3. Run exhaust vent to dryer location. Use the straightest path possible. Avoid 90° turns. Use 102 mm (4") clamps to secure vent pieces. Tin snips may be needed to cut vent to required length.

2. Take two cardboard corners from dryer carton and place them on floor in back of dryer. Firmly grasp body of dryer and gently lay it on its back on the cardboard corners.



3. Start to screw legs into holes by hand. Use an adjustable wrench or 25 mm (1") hex-head socket wrench to finish turning legs until you reach the ridge with the diamond marking.



Prepare Dryer

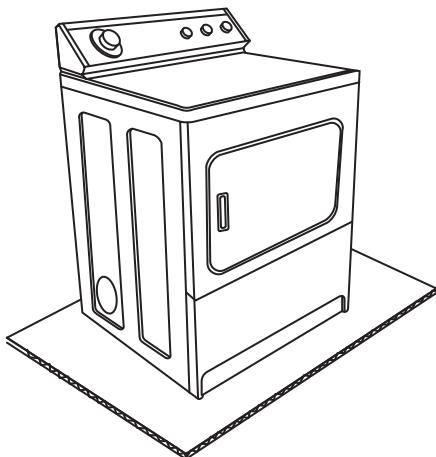
WARNING

Excessive Weight Hazard

**Use two or more people to move and install dryer.
Failure to do so can result in back or other injury.**

1. Remove tape from dryer cabinet. Open dryer door and remove tape from dryer drum. (Not all dryer drums are taped.) Remove drying rack, if included. Turn dryer drum counterclockwise to make sure all tape was removed. Wipe drum with damp cloth to remove any dust.

4. Stand dryer up on cardboard or hardboard.



Electrical Connection

⚠ WARNING



Electric Shock Hazard

Electric earthing is required on this dryer.

Do not earth to a gas pipe.

Do not change the power supply cord plug. If it does not fit the outlet, have a proper outlet installed by a qualified electrician.

Do not have a fuse in the neutral or earthing circuit.

Do not use an extension cord with this dryer.

Check with a qualified electrician to be sure the dryer is properly earthed.

Failure to follow these instructions could result in death, fire, or serious injury.

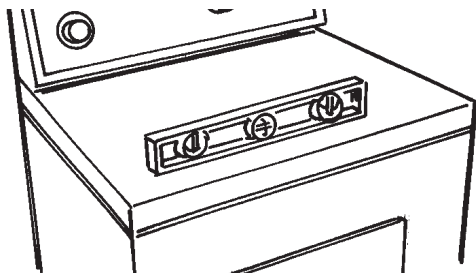
Plug supply cord into an earthed outlet.

Level and Exhaust the Dryer

Dryer must be level to reduce noise and assure proper performance.

Slide dryer onto cardboard or hardboard before moving across floor to prevent floor damage.

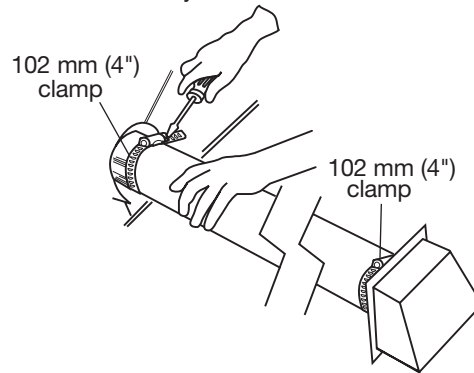
1. Move dryer close to its permanent location. Leave enough room to connect exhaust vent. Remove cardboard or hardboard from under dryer.
2. Check levelness of dryer by placing a level on top of dryer, first side to side, then front to back. If dryer is not level, adjust dryer legs up or down.



3. If legs are not long enough to level dryer, order Extended Dryer Feet Kit, Part No. 279810 (sold two legs per kit), from your dealer.

4. Connect exhaust vent to exhaust outlet in dryer. The exhaust vent must fit over the dryer exhaust outlet and inside the exhaust hood vent.

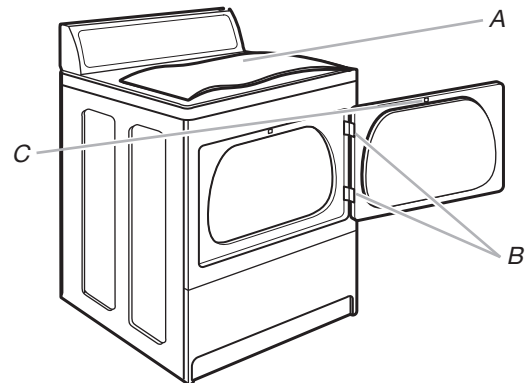
Use 102 mm (4") vent clamps to seal all joints and to secure exhaust vent to dryer exhaust outlet.



5. Move dryer into final position.

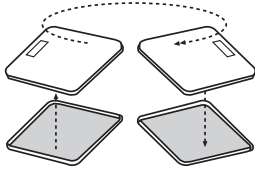
Reverse Door Swing (Optional)

You can change your door swing from a right-side opening to a left-side opening, if desired.

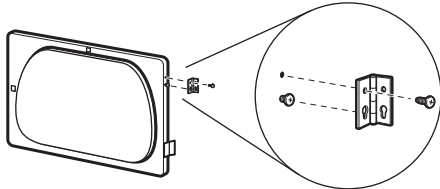


1. Place towel (A) on top of dryer to protect surface.
2. Open dryer door. Remove bottom screws from cabinet side of hinges (B). Loosen (do not remove) top screws from cabinet side of hinges.
3. Lift door until top screws in cabinet are in large part of hinge slot. Pull door forward off screws. Set door (handle side up) on top of dryer. Remove top screws from cabinet.
4. Remove screws attaching hinges to door.
5. Remove screws at top, bottom, and side of door (5 screws) (C). Holding door over towel on dryer, grasp sides of outer door and gently lift to separate it from inner door. Do not pry apart with putty knife. Do not pull on door seal or plastic door catch.

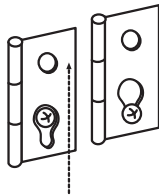
- Be certain to keep cardboard spacer centered between doors. Reattach outer door panel to inner door panel so handle is on the side where hinges were just removed.



- Attach door hinges to dryer door so that the larger hole is at the bottom of the hinge.



- Remove the 4 screws that attach 2 plugs on the left side. Attach plugs to right side using the same 4 screws.
- Insert screws into bottom holes on left side of cabinet. Tighten screws halfway. Position door so large end of door hinge slot is over screws. Slide door up so screws are in bottom of slots. Tighten screws. Insert and tighten top screws in hinges.



- Close door and check that door strike aligns with door catch. If it is needed, slide door catch left or right within slot to adjust alignment.

Check Operation

- Check that you:
 - Did not skip any steps.
 - Installed all parts.
 - Properly installed dryer legs.
 - Leveled dryer.
 - Have secured all exhaust vent joints with 102 mm (4") clamps.
 - Have all the tools you started with.
- Plug power supply cord into earthed outlet.
- Read the Use and Care Guide to fully understand your new dryer. Select a full heat cycle (not the air cycle) and start dryer. After five minutes, open dryer door. You should feel heat inside dryer.

If dryer does not operate properly, check the following:

- Electrical supply is connected.
- House fuse is intact and tight; or circuit breaker has not tripped.
- Dryer door is closed.
- Controls are set in a running or "On" position.
- Start button has been pushed firmly.

If dryer makes an unusual noise, check that the dryer is level.

Technical Specification

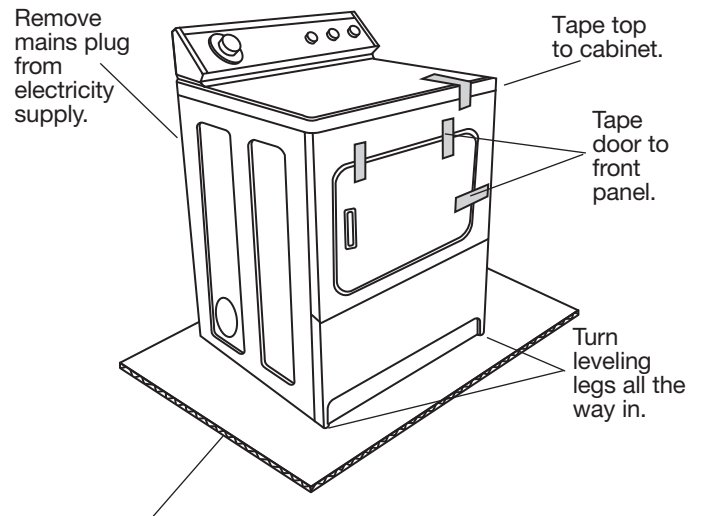
(see rating plate in door opening for full model details)

220-240V ~ 50 Hz, 1ph

3100W, IPX4

Moving dryer to a new location?

Check with a licensed electrician to confirm that supply voltage at new home matches voltage specified on the model/serial rating plate.



Slide dryer onto cardboard or hardboard before moving it to prevent damaging floor covering.

NOTES

ÍNDICE

SEGURIDAD DE LA SECADORA.....	11	INSTRUCCIONES DE INSTALACIÓN – SECADORA	
REQUISITOS DE INSTALACIÓN	11	ELÉCTRICA	16
Piezas y herramientas.....	11	Instalación de la ventilación	16
Requisitos de ubicación	12	Preparación de la secadora.....	16
Requisitos eléctricos.....	13	Conexión eléctrica	17
Requisitos de ventilación	14	Nivelación y ventilación de la secadora	17
		Verifique el funcionamiento.....	18

SEGURIDAD DE LA SECADORA

Su seguridad y la seguridad de los demás es muy importante.

Hemos incluido muchos mensajes importantes de seguridad en este manual y en su electrodoméstico. Lea y obedezca siempre todos los mensajes de seguridad.



Este es el símbolo de advertencia de seguridad.

Este símbolo le llama la atención sobre peligros potenciales que pueden ocasionar la muerte o una lesión a usted y a los demás.

Todos los mensajes de seguridad irán a continuación del símbolo de advertencia de seguridad y de la palabra “PELIGRO” o “ADVERTENCIA”.

Estas palabras significan:

! PELIGRO

Si no sigue las instrucciones de inmediato, usted puede morir o sufrir una lesión grave.

! ADVERTENCIA

Si no sigue las instrucciones, usted puede morir o sufrir una lesión grave.

Todos los mensajes de seguridad le dirán el peligro potencial, le dirán cómo reducir las posibilidades de sufrir una lesión y lo que puede suceder si no se siguen las instrucciones.



ADVERTENCIA - “Riesgo de incendio”

- La instalación de la secadora de ropa debe estar a cargo de un instalador competente.
- Instale la secadora de ropa según las instrucciones del fabricante y los códigos locales.
- No instale una secadora de ropa con materiales de ventilación de plástico flexible.
Si se usa un conducto de metal flexible (de hoja de metal), éste deberá ser de un tipo específico, que esté identificado por el fabricante de electrodomésticos como apto para ser usado con secadoras de ropa. Es sabido que los materiales de ventilación flexible se derrumban, se aplastan con facilidad y atrapan pelusa. Estas condiciones obstruirán el flujo de aire de la secadora de ropa y aumentarán el riesgo de incendio.
- Para reducir el riesgo de lesiones severas o la muerte, siga todas las instrucciones de instalación.
- Guarde estas instrucciones.

REQUISITOS DE INSTALACIÓN

Piezas y herramientas

Reúna las herramientas y piezas necesarias antes de comenzar la instalación. Lea y siga las instrucciones provistas con cualquiera de las herramientas enlistadas aquí.

Herramientas necesarias

- Destornillador de hoja plana
- Destornillador Phillips
- Llave de tuercas ajustable que se abra a 25 mm (1")
- Llave de tubo de cabeza hexagonal
- Nivel
- Llave de tubo de 6 mm (1/4") o llave de tuercas de 6 mm (1/4")

- Cuchillo para uso general
- Abrazaderas para ducto
- Pegamento para tuberías resistente a gas L.P.
- Pistola y masilla para calafateo (para instalar el nuevo ducto de escape)
- Tijeras para lata

Piezas suministradas

Retire la bolsa de piezas del tambor de la secadora. Verifique que estén todas las piezas.

- 4 patas niveladoras

Requisitos de ubicación

⚠ ADVERTENCIA



Peligro de explosión

Mantenga los materiales y vapores inflamables, tales como la gasolina, alejados de la secadora.

Coloque la secadora a un mínimo de 460 mm sobre el piso para la instalación en un garaje.

No seguir esta instrucción puede ocasionar la muerte, explosión o incendio.

IMPORTANTE: Observe todos los códigos y reglamentos aplicables.

- Verifique los requisitos de los códigos. Algunos códigos limitan, o no permiten, la instalación de la secadora en garajes, clósets o en dormitorios. Póngase en contacto con el inspector de construcciones de su localidad.
- Asegúrese de que los bordes inferiores del armario, además de la parte posterior y los lados de la secadora, estén libres de obstrucciones, para permitir el espacio adecuado de aberturas para la combustión de aire. Vea "Instrucciones para la instalación empotrada o en clóset" para los requisitos mínimos de espacio.
- Debe haber una ventilación adecuada para evitar el retorno de flujo de gases en la habitación, procedente de aparatos que quemen otros combustibles, incluyendo fuegos abiertos.

NOTA: No debe instalarse la secadora en un área en donde pueda estar expuesta al agua y/o a la intemperie. Es posible que los ciclos automáticos no se apaguen si la temperatura de la habitación es inferior a 7° C (45° F).

- El declive máximo debajo de toda la secadora deberá ser de menos de 25 mm (1"). Si el declive es mayor que 25 mm (1"), instale el juego de extensión de patas de la secadora, Pieza No. 279810. La ropa quizás no rote adecuadamente y los ciclos del sensor automático posiblemente no funcionen debidamente si la secadora no está nivelada. El piso deberá ser lo suficientemente fuerte como para soportar el peso de la secadora de 79,4 kg (175 lbs.).

Instrucciones para la instalación empotrada o en clóset

Esta secadora podrá instalarse en un área empotrada o en un clóset. Para las instalaciones en áreas empotradas o clósets, se pueden encontrar los espacios mínimos en la etiqueta de la serie de la secadora.

El espacio de instalación es en milímetros (pulgadas) y es el mínimo permitido. Debe considerarse espacio adicional para facilitar la instalación, el servicio técnico y el cumplimiento de los códigos y ordenanzas locales.

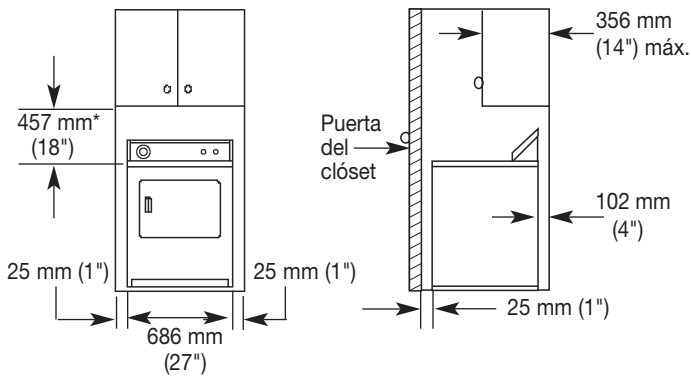
Si se ha instalado la puerta del clóset, se requieren aberturas mínimas de ventilación sin obstrucciones en la parte superior e inferior de la puerta. Se aceptan puertas tipo persianas con aberturas de aire equivalentes.

No debe instalarse esta secadora detrás de una puerta que se pueda cerrar con llave, una puerta corrediza o una puerta con bisagra del lado opuesto a la secadora.

La secadora deberá ventilarse al exterior.

No se puede instalar otro electrodoméstico que usa combustible en el mismo clóset en que se encuentra la secadora.

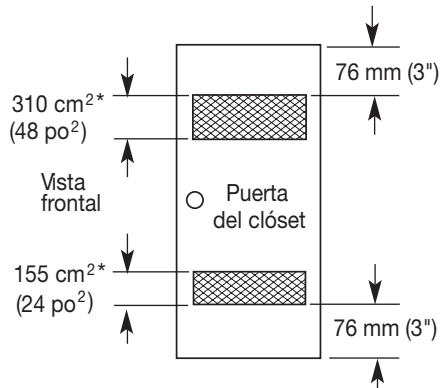
Espacios mínimos para la instalación



Vista frontal del lugar empotrado

Vista lateral del clóset

*Se podrían necesitar espacios libres adicionales para las molduras de la pared, de la puerta y del piso, o si se usa un codo externo de ventilación.

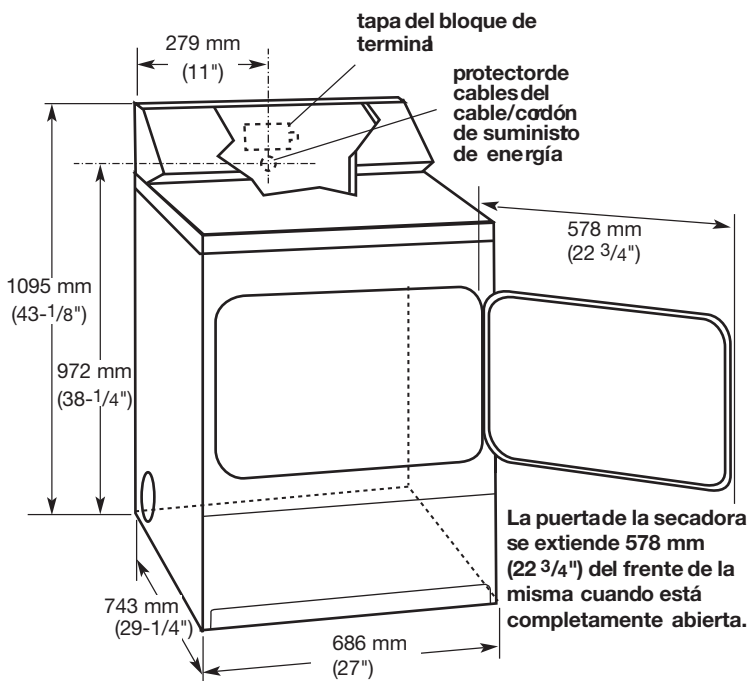


* La abertura es la mínima para la puerta del clóset.

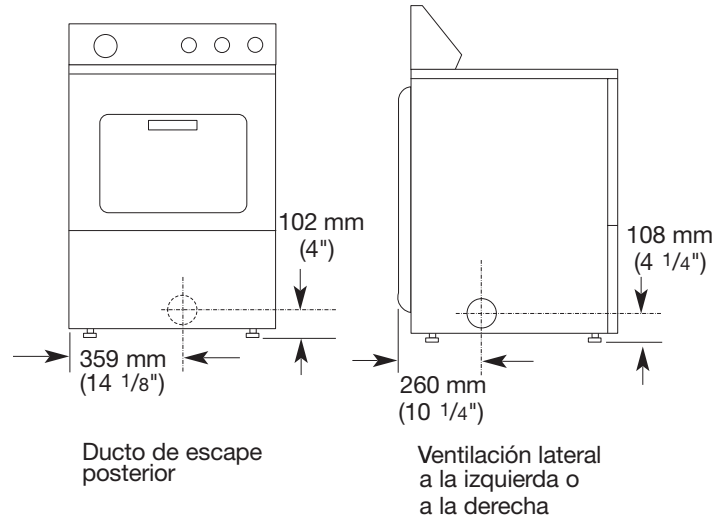
Se aceptan puertas tipo persianas con aberturas de aire equivalentes.

Medidas del producto

Las medidas que se muestran son con las patas extendidas a 25 mm (1") de la parte inferior de la secadora.



Dimensiones del ducto de escape



Ducto de escape posterior

Ventilación lateral a la izquierda o a la derecha

Requisitos eléctricos

IMPORTANT : Observe todos los códigos y reglamentos aplicables.

Esta secadora está provista de un cable de suministro eléctrico y un enchufe europeo de 16A. Deberá ser conectada al receptáculo de suministro eléctrico con el voltaje que se muestra en la placa de clasificación. La capacidad mínima del fusible de suministro deberá ser de 16A. La secadora deberá colocarse de manera que el enchufe esté accesible. Si no se usa el enchufe provisto, la conexión eléctrica deberá llevarse a cabo por parte de un electricista capacitado, según los códigos locales o nacionales.

Si se ha dañado el cable de suministro, deberá reemplazarse con un cable especialmente terminado, por parte de un agente de servicio autorizado u otra persona similarmente calificada.

No use un adaptador.

No use un cable eléctrico de extensión ni un dispositivo portátil de suministro de energía con esta secadora.

NOTA: De acuerdo a la Directiva EMC Europea (89/336/EEC) la impedancia del sistema de suministro de electricidad máxima a la cual la secadora eléctrica debe estar conectada es 0.302 Ohm + j0.189 Ohm.

⚠️ ADVERTENCIA



Peligro de choque eléctrico

Se requiere una conexión eléctrica a tierra para esta secadora.

No conecte a tierra a un tubo de gas.

No cambie el enchufe del cable de suministro de energía. Si no encaja en el contacto, consulte a un electricista competente para instalar un contacto adecuado.

No tenga un fusible en el circuito neutro o de conexión a tierra.

No use un cable eléctrico de extensión con esta secadora.

Verifique con un electricista calificado para asegurarse de que la secadora esté conectada a tierra como es debido.

No seguir estas instrucciones puede ocasionar la muerte, incendio o lesiones graves.

Si los códigos lo permiten y se emplea una ligadura de conexión a tierra adicional, es recomendable que un electricista calificado determine si la trayectoria de conexión a tierra de la ligadura es adecuada.

Método recomendado de conexión a tierra

- Usted es responsable de ponerse en contacto con un instalador eléctrico calificado para asegurarse de que la instalación eléctrica sea adecuada y de conformidad con todos los códigos y ordenanzas locales.

INSTRUCCIONES PARA LA CONEXIÓN A TIERRA

- Esta secadora debe estar conectada a tierra. En el caso de funcionamiento defectuoso o avería, la conexión a tierra reducirá el riesgo de choque eléctrico al proporcionar una vía de menor resistencia para la corriente eléctrica. Esta secadora usa un cable que cuenta con un conductor para la conexión a tierra del equipo y un enchufe de conexión a tierra. El enchufe debe conectarse en un contacto apropiado, que esté debidamente instalado y conectado a tierra de acuerdo con todos los códigos y ordenanzas locales.

ADVERTENCIA: La conexión indebida del conductor para la conexión a tierra del equipo puede ocasionar un riesgo de choque eléctrico.

Si no está seguro de que la conexión a tierra de la secadora es la adecuada, verifíquela con un electricista o representante o personal de servicio competente. No modifique el enchufe del cable de suministro de energía: si no encaja en el contacto, consulte a un electricista competente para instalar un contacto adecuado.

GUARDE ESTAS INSTRUCCIONES

Requisitos de ventilación

⚠️ ADVERTENCIA



Peligro de Incendio

Use un ducto de escape de metal pesado.

No use un ducto de escape de plástico.

No use un ducto de escape de aluminio.

No seguir estas instrucciones puede ocasionar la muerte o incendio.

ADVERTENCIA: Para reducir el riesgo de incendio, esta secadora DEBE VENTILARSE HACIA EL EXTERIOR.

IMPORTANTE: Observe todos los códigos y reglamentos aplicables.

- El ducto de escape de la secadora no debe conectarse en ningún ducto de escape de gas, chimenea, pared, techo o el espacio oculto de un edificio ni ningún otro ducto que se use para la ventilación.
- No use capotas de ventilación con pestillos magnéticos.
- No instale un ducto de escape de metal flexible en paredes, techos o pisos encerrados.
- Se debe usar un ducto de escape de metal pesado de 102 mm (4") y abrazaderas.
- Utilice abrazaderas para sellar todas las juntas. No debe conectarse ni asegurarse el ducto de escape con tornillos ni con ningún otro dispositivo que se extienda hacia el interior de dicho ducto. No utilice cinta para ductos.

Use un ducto de escape de metal pesado. No use ducto de escape de plástico o de hoja de metal.

Se recomienda un ducto de escape de metal rígido para evitar que se aplaste o se tuerza.

Deberá usarse solamente un ducto de metal rígido o flexible para el escape.

La longitud total del ducto de metal flexible no deberá exceder los 7¾ pies (2,4 m).

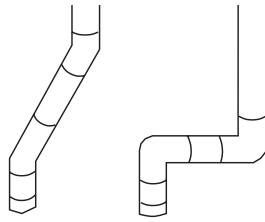
El ducto de escape de metal flexible debe extenderse y sostenerse por completo cuando la secadora está en su ubicación final. Quite el exceso del ducto de metal flexible para evitar que se doble y se tuerza, lo cual podría dar lugar a una reducción del flujo de aire y a un rendimiento insuficiente.

Una capota de ventilación debe tapar el ducto de escape para evitar el ingreso de roedores e insectos a la casa o comercio.

La capota de ventilación debe estar por lo menos a 305 mm (12") de distancia del piso o de cualquier objeto que pudiese estar en el trayecto del ducto de escape (como flores, rocas o arbustos, etc).

Si se usa un sistema de ventilación existente, limpie la pelusa que está en toda la longitud del sistema y asegúrese de que la capota de ventilación no esté obstruida con pelusa. Reemplace cualquier ducto de escape de plástico o de hoja de metal por uno de metal rígido o de metal flexible.

Planifique la instalación a fin de usar el menor número posible de codos y vueltas. Evite giros de 90°.



Flujo de aire de escape

A

B

A. Mejor

B. Bueno

Cuando use codos o haga vueltas, deje todo el espacio que sea posible. Doble el ducto gradualmente para evitar torceduras.

El ducto de escape puede ser dirigido hacia arriba, hacia abajo, a la izquierda, derecha, detrás de la secadora o directamente hacia atrás por la parte posterior de la misma.

La salida de escape está ubicada en el centro de la parte posterior de la secadora.

Al diseñar el sistema de tubería, deberá asegurarse de que la condensación que se forme cuando el aparato esté en funcionamiento, quedará retenida y se evaporará posteriormente o se desechará. Al seguir estas instrucciones de instalación, este requisito se cumplirá adecuadamente.

Largo del sistema de ventilación

La longitud máxima del sistema de ventilación depende del tipo de ducto que se use, el número de codos y el tipo de capota de ventilación. La longitud máxima para el ducto de escape rígido y flexible se muestra en el cuadro.

Longitud máxima del ducto de escape

Capotas de ventilación de 10 cm (4") de diámetro



Ducto de escape de metal rígido

N° de vueltas de 90°	Capota de ventilación tipo caja y tipo persiana	Capota de ventilación angular
0	15,8 m (52 pies)	13,4 m (44 pies)
1	13,4 m (44 pies)	11,0 m (36 pies)
2	11,0 m (36 pies)	8,5 m (28 pies)
3	8,2 m (27 pies)	6,4 m (21 pies)
4	6,1 m (20 pies)	4,3 m (14 pies)

Para los sistemas de escape que no estén cubiertos en el cuadro de especificación de la ventilación (tales como para conexión de múltiples unidades, plenums y ventiladores de potencia), vea el Manual de servicio de Whirlpool, "Ventilación de múltiples secadoras", Pieza N° LIT603197, disponible en el distribuidor de partes Whirlpool.

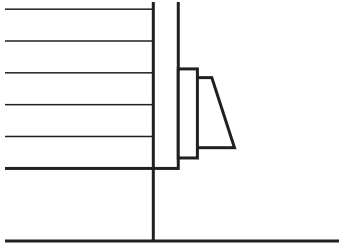
Si la secadora está instalada en un área cerrada tal como un dormitorio, baño o clóset, deberán tomarse las provisiones necesarias para que haya aire suficiente para la combustión y la ventilación. (Verifique los códigos y reglamentos aplicables.) Vea "Instrucciones para la instalación empotrada o en clóset" en la sección "Requisitos de ubicación".

Se prefiere una capota de salida de cuatro pulgadas. Aún así, podrá usarse una salida de escape de 64 mm (2½"). Una salida de 64 mm (2½") ocasiona mayor contrapresión que los otros tipos de capotas. Para una instalación permanente, se necesita un sistema fijo de ventilación.

INSTRUCCIONES DE INSTALACIÓN - SECADORA ELÉCTRICA

Instalación de la ventilación

1. Instale la capota de ventilación. Emplee una masilla de calafateo para sellar la abertura de la pared externa alrededor de la capota de ventilación.



2. Conecte el ducto de escape a la capota de ventilación. (El ducto de escape DEBE encajar dentro de la capota.) Asegure el ducto de escape a la capota de ventilación con una abrazadera de 102 mm (4").
3. Extienda el ducto de escape a la ubicación de la secadora. Use la trayectoria más recta posible. Evite giros de 90°. Utilice abrazaderas de 102 mm (4") para asegurar las piezas del ducto. Tal vez necesite tijeras para lata para cortar el ducto en la longitud necesaria.

Preparación de la secadora

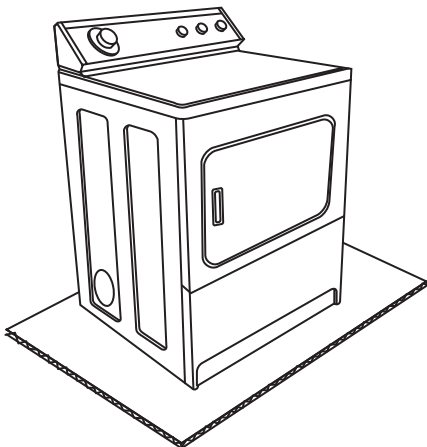
⚠️ ADVERTENCIA

Peligro de peso excesivo

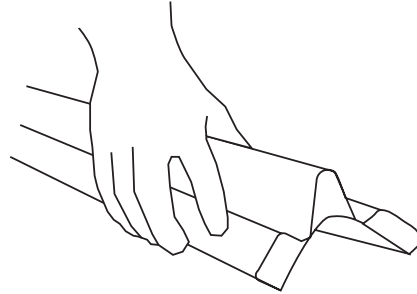
Use dos o más personas para mover e instalar la secadora.

No seguir esta instrucción puede ocasionar una lesión en la espalda u otro tipo de lesiones.

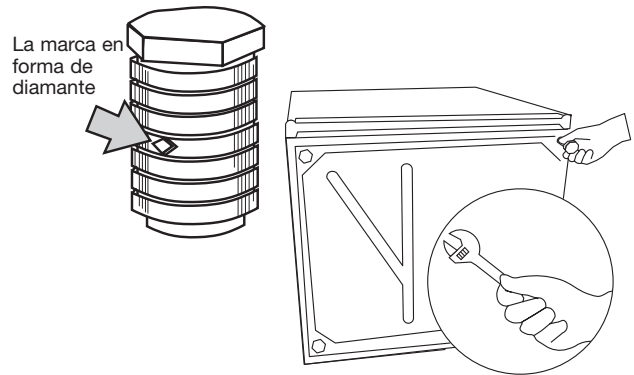
1. Saque la cinta adhesiva del gabinete de la secadora. Abra la puerta de la secadora y retire la cinta adhesiva del tambor de la secadora. (No todos los tambores de la secadora están pegados con cinta adhesiva.) Saque el estante de secado, si está incluido. Gire hacia la izquierda el tambor de la secadora, para asegurarse de que se haya quitado toda la cinta adhesiva. Pásele un paño húmedo al tambor para quitar el polvo.



2. Tome dos esquinales de cartón de la caja de la secadora y colóquelos sobre el piso, en la parte posterior de la secadora. Sujete con firmeza el cuerpo de la secadora y colóquela sobre su parte posterior, encima de los esquinales de cartón.



3. Comience a atornillar las patas con la mano. Use una llave de tuercas ajustable o una llave de tubo de cabeza hexagonal de 25 mm (1") para terminar de atornillar las patas hasta alcanzar la marca en forma de diamante.



4. Ponga la secadora de pie sobre el cartón o madera dura.

Conexión eléctrica

⚠ ADVERTENCIA



Peligro de choque eléctrico

Se requiere una conexión eléctrica a tierra para esta secadora.

No conecte a tierra a un tubo de gas.

No cambie el enchufe del cable de suministro de energía. Si no encaja en el contacto, consulte a un electricista competente para instalar un contacto adecuado.

No tenga un fusible en el circuito neutro o de conexión a tierra.

No use un cable eléctrico de extensión con esta secadora.

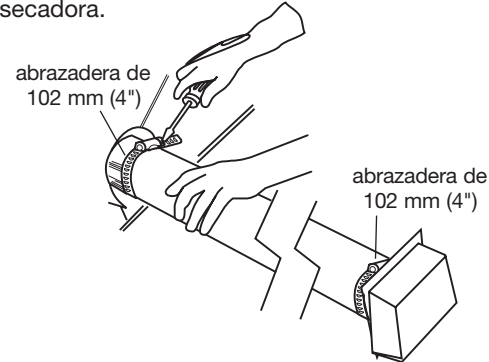
Verifique con un electricista calificado para asegurarse de que la secadora esté conectada a tierra como es debido.

No seguir estas instrucciones puede ocasionar la muerte, incendio o lesiones graves.

de la secadora, Pieza N° 279810 (se venden dos patas por juego), en su distribuidor.

4. Conecte el ducto de escape a la salida de aire de la secadora. El ducto de escape debe encajar sobre la salida de aire de la secadora y dentro de la capota de ventilación.

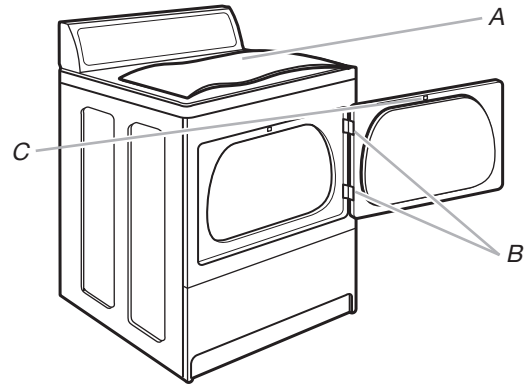
Utilice abrazaderas para ducto de 102 mm (4") para sellar todas las uniones y asegurar el ducto de escape a la salida de escape de la secadora.



5. Mueva la secadora a su posición final.

Cambio del sentido de abertura de la puerta (opcional)

Usted puede invertir el cierre de la puerta de la abertura a la derecha a la abertura a la izquierda, si lo desea.



1. Coloque una toalla (A) encima de la secadora para proteger la superficie.
2. Abra la puerta de la secadora. Quite los tornillos inferiores del lado de la carcasa que tiene bisagras (B). Afloje (no quite) los tornillos superiores del lado de la carcasa que tiene bisagra.
3. Levante la puerta hasta que los tornillos superiores de la carcasa estén en la parte grande de la ranura de la bisagra. Jale la puerta hacia adelante para sacarla de los tornillos. Coloque la puerta (con el lado de la manija hacia arriba) encima de la secadora. Quite los tornillos superiores de la carcasa.
4. Quite los tornillos que sujetan las bisagras a la puerta.
5. Quite los tornillos de la parte superior, inferior y lateral de la puerta (5 tornillos) (C). Sosteniendo la puerta sobre la toalla encima de la secadora, sujete los lados de la

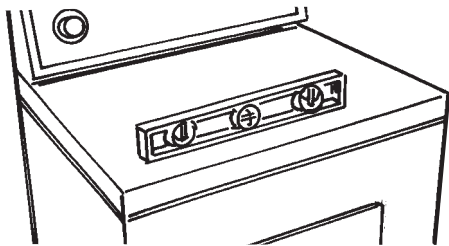
Enchufe el cable de suministro en un contacto de conexión a tierra.

Nivelación y ventilación de la secadora

La secadora deberá estar nivelada para reducir el ruido y asegurarse un rendimiento adecuado.

Deslice la secadora sobre cartón o madera dura antes de desplazarla por el piso, para evitar que se dañe el mismo.

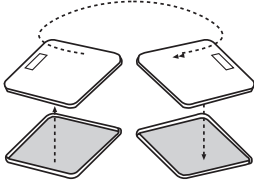
1. Trasládela cerca de su ubicación permanente. Deje suficiente espacio para conectar la ventilación de escape. Quite el cartón o madera que se encuentra debajo de la secadora.
2. Revise la nivelación de la secadora colocando un nivel en la parte superior de la misma, primero de lado a lado y luego del frente hacia atrás. Si la secadora no está nivelada, ajuste las patas de la misma hacia arriba o hacia abajo.



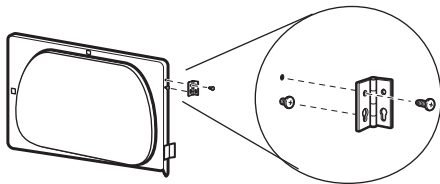
3. Si las patas no son lo suficientemente largas como para nivelar la secadora, pida un Juego de extensión de las patas

puerta exterior y levántela con cuidado para separarla de la puerta interior. No haga palanca con el cuchillo para masilla. No jale el sello de la puerta ni el seguro de plástico de la puerta.

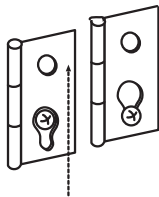
- Asegúrese de mantener el espaciador de cartón centrado entre las puertas. Vuelva a sujetar el panel exterior al panel interior de la puerta, de modo que la manija quede en el lado en donde recién se han quitado las bisagras.



- Fije las bisagras de la puerta a la puerta de la secadora de manera que el orificio más grande quede en la parte inferior de la bisagra.



- Quite los 4 tornillos que sujetan 2 tapones en el lado izquierdo. Sujete los tapones al lado derecho con los mismos 4 tornillos.
- Inserte los tornillos en los orificios inferiores, en el lado izquierdo de la carcasa. Apriete los tornillos hasta la mitad. Coloque la puerta de modo que el extremo grande de la ranura de la bisagra de la puerta esté sobre los tornillos. Deslice la puerta hacia arriba, de modo que los tornillos queden en la parte inferior de las ranuras. Apriete los tornillos. Inserte y apriete los tornillos superiores en las bisagra.



- Cierre la puerta y revise que el tope de la misma esté alineado con el seguro de la puerta. De ser necesario, deslice el seguro de la puerta hacia la izquierda o derecha dentro de la ranura, para ajustar la alineación.

Verifique el funcionamiento

- Verifique que usted:

- no se haya saltado ningún paso..
- haya instalado todas las piezas.
- haya instalado las patas niveladoras como es debido.
- haya nivelado la secadora.
- haya asegurado todas las uniones del ducto de escape con abrazaderas de 102 mm (4").
- tenga todas las herramientas con las que empezó.

- Enchufe el cable de suministro de energía en el contacto de conexión a tierra.
- Lea el Manual de uso y cuidado para entender en su totalidad cómo funciona la nueva secadora. Seleccione un ciclo completo de calor (no un ciclo de aire) y ponga la secadora en marcha. Después de cinco minutos, abra la puerta de la secadora. Deberá sentir el calor en el interior de la secadora.

Si la secadora no funciona adecuadamente, revise lo siguiente:

- que el suministro eléctrico esté conectado.
- que el fusible de la casa esté intacto y ajustado, o que no se haya disparado el cortacircuitos.
- que la puerta de la secadora esté cerrada.
- que los controles estén fijados en una posición de funcionamiento u "On" (encendido).
- que se haya presionado con firmeza el botón de puesta en marcha.

Si la secadora hace un ruido raro, revise si está nivelada.

Especificaciones técnicas

(vea la placa de clasificación en la abertura de la puerta para obtener detalles completos acerca del modelo)

220-240V ~ 50 Hz, 1ph

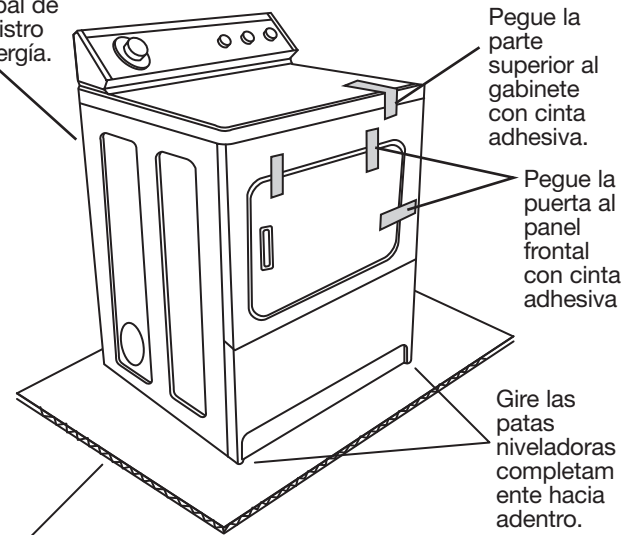
3100W, IPX4

Capacidad de ropa: 9,0 Kg. máx.

¿Va a mover la secadora a otro lugar?

Verifique con un electricista autorizado para confirmar que el suministro de voltaje de la nueva casa coincida con el voltaje especificado en la placa de clasificación de modelo/serie.

Desenchufe el cable principal de suministro de energía.



Deslice la secadora hacia un cartón o una madera antes de desplazarla por el piso para evitar que se dañe el revestimiento del mismo.

NOTAS

TABLE DES MATIERES

SECURITE DU SECHE-LINGE	20	INSTRUCTIONS D'INSTALLATION – SECHE-LINGE	
EXIGENCES D'INSTALLATION	20	ELECTRIQUE	25
Outillage et pièces	20	Installation du dispositif d'évacuation.....	25
Exigences d'emplacement	21	Préparation du sèche-linge	25
Spécifications électriques.....	22	Raccordement électrique	26
Exigences concernant l'évacuation	23	Réglage de l'aplomb et évacuation du sèche-linge	26
		Contrôle du fonctionnement	27

SECURITE DU SECHE-LINGE

Votre sécurité et celle des autres sont très importantes.

Nous donnons de nombreux messages de sécurité importants dans ce manuel et sur votre appareil électroménager. Assurez-vous de toujours lire tous les messages de sécurité et de vous y conformer.



Voici le symbole d'alerte de sécurité.

Ce symbole d'alerte de sécurité vous signale les dangers potentiels de décès et de blessures graves.

Tous les messages de sécurité suivront le symbole d'alerte de sécurité et le mot "DANGER" ou "AVERTISSEMENT". Ces mots signifient :

⚠ DANGER

Risque possible de décès ou de blessure grave si vous ne suivez pas immédiatement les instructions

⚠ AVERTISSEMENT

Risque possible de décès ou de blessure grave si vous ne suivez pas les instructions.

Tous les messages de sécurité vous diront quel est le danger potentiel, comment réduire le risque de blessure et ce qui peut se produire en cas de non-respect des instructions.



AVERTISSEMENT - "Risque d'incendie"

- L'installation de la sècheuse à linge doit être effectuée par un installateur qualifié.
- Installer la sècheuse conformément aux instructions du fabricant et aux codes locaux.
- Ne pas installer de sècheuse à linge avec des matériaux d'évacuation en plastique souple. Si un conduit métallique souple (de type papier d'aluminium) est installé, celui-ci doit être d'un type spécifique identifié par le fabricant de l'appareil et convenir à une utilisation avec les sècheuses à linge. Les matériaux d'évacuation souples sont connus pour s'affaisser, être facilement écrasés et bloquer la charpie. Ces situations obstrueront le débit d'air de la sècheuse à linge et augmenteront le risque d'incendie.
- Pour réduire le risque de blessure grave ou de décès, suivre toutes les instructions d'installation.
- Conserver ces instructions.

EXIGENCES D'INSTALLATION

Outillage et pièces

Rassembler les outils et pièces nécessaires avant de commencer l'installation. Lire et suivre les instructions fournies avec les outils indiqués ici.

Outils nécessaires

- Tournevis à lame plate
- Tournevis Phillips
- Clé à molette ouverture : 25 mm (1")
- Clé à douille hexagonale
- Niveau
- Clé à douille ou tourne-écrou de 6 mm (1/4")

- Couteau universel
- Brides de serrage pour conduit d'évacuation
- Composé d'étanchéité des raccords filetés – résistant au GPL
- Pistolet à calfeutrage et composé de calfeutrage (pour l'installation d'un nouveau conduit d'évacuation)
- Cisaille de ferblantier

Pièces fournies

Retirer le sac de pièces du tambour du sèche-linge. Vérifier la présence de toutes les pièces.

- 4 pieds de réglage de l'aplomb

Exigences d'emplacement

⚠ AVERTISSEMENT



Risque d'explosion

Garder les matières et les vapeurs inflammables, telle que l'essence, éloignées du sèche-linge.

Placer le sèche-linge au moins 460 mm au-dessus du sol pour une installation dans un garage.

Le non-respect de ces instructions peut causer un décès, une explosion ou un incendie.

IMPORTANT : Observer les dispositions de tous les codes et règlements en vigueur

- Vérifier les exigences des codes : Certains codes limitent ou n'autorisent pas l'installation d'un sèche-linge dans un garage, un placard ou une chambre à coucher. Communiquer avec l'inspecteur des bâtiments local.
- S'assurer que les rebords inférieurs de la caisse, les côtés arrière et inférieurs du sèche-linge, sont bien dégagés pour permettre une évacuation adéquate de l'air de combustion. Voir la section "Instructions d'installation dans un encastrement ou un placard" pour connaître les dimensions d'espacement minimum.
- Une capacité de ventilation adéquate est nécessaire pour qu'il n'y ait pas de reflux de gaz dans la pièce depuis d'autres appareils à combustion, ceci incluant le feu dans un foyer ouvert.

REMARQUE : Le sèche-linge ne doit pas être installé ou entreposé dans un endroit où il sera exposé à l'eau et/ou aux intempéries. Si la température ambiante est inférieure à 7°C (45°F), les programmes automatiques peuvent ne pas s'arrêter.

- L'inclinaison maximale sous le sèche-linge doit être inférieure à 25 mm (1"). Si l'inclinaison est supérieure à 25 mm (1"), installer l'ensemble de pieds d'extension, pièce no 279810. Si le sèche-linge n'est pas de niveau, le linge peut ne pas

culbuter convenablement et les programmes automatiques commandés par détecteur peuvent ne pas fonctionner correctement. Le sol doit pouvoir supporter le poids du sèche-linge 79,4 kg (175 lbs).

Instructions d'installation dans un encastrement ou un placard

Ce sèche-linge peut être installé dans un encastrement ou un placard. Pour les installations dans un encastrement ou un placard, les dimensions minimales sont indiquées sur l'étiquette du numéro de série du sèche-linge.

Les dimensions d'installation sont en centimètres et constituent le minimum applicable. Un espace supplémentaire peut être nécessaire pour faciliter l'installation, l'entretien et pour observer les codes et règlements locaux.

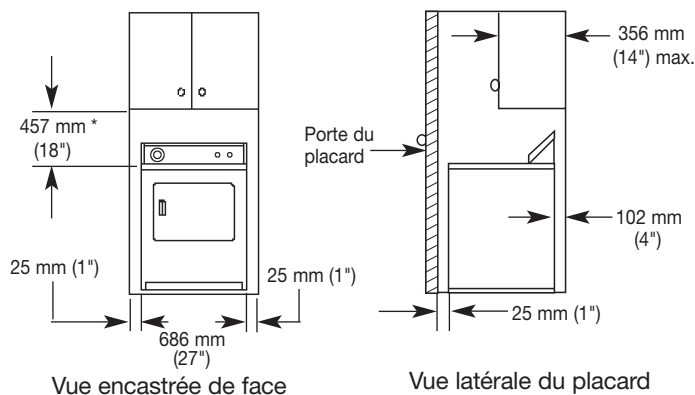
Si une porte de placard est installée, une ouverture d'évacuation de l'air minimale est nécessaire dans les parties supérieure et inférieure. Les portes à claire-voie offrant des ouvertures équivalentes sont acceptables.

Ne pas installer cette sécheuse derrière une porte pouvant être fermée à clé, une porte coulissante ou une porte avec charnière située du côté opposé à celui de la sécheuse.

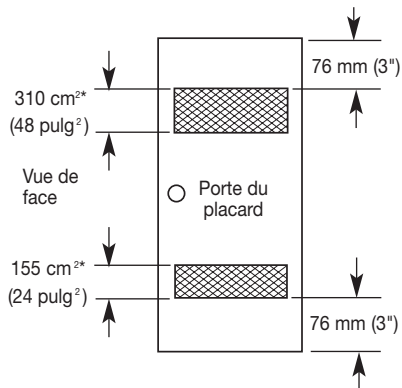
Le sèche-linge doit être évacué à l'extérieur.

Aucun autre appareil consommant un combustible ne doit être installé dans le même placard que le sèche-linge.

Dégagements de séparation minimums



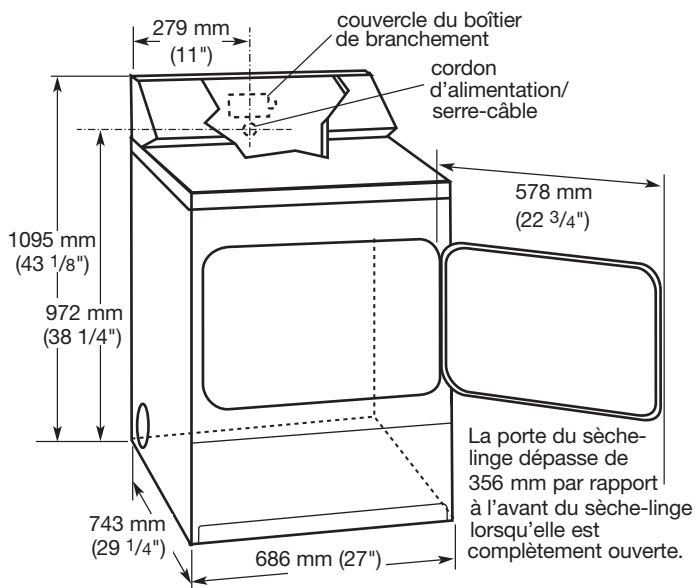
*Des espacements supplémentaires pour le mur, la porte et les plinthes peuvent être nécessaires si on utilise un coude d'évacuation externe.



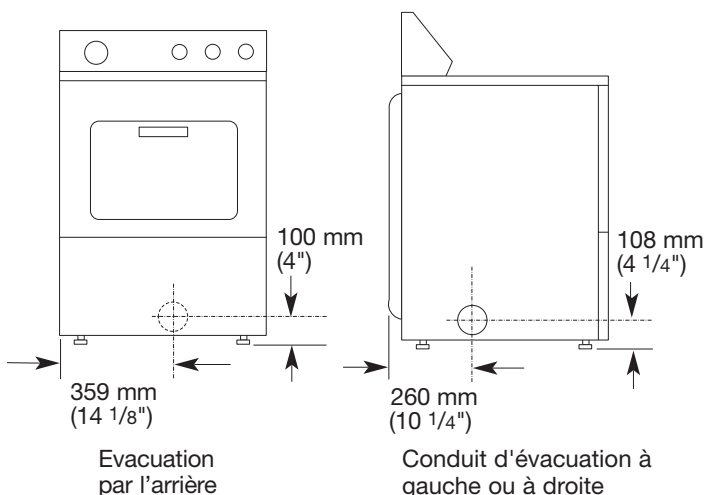
Dimension minimale pour une porte de placard. Les portes à claire-voie offrant des ouvertures équivalentes sont acceptables.

Dimensions du produit

Dimensions illustrées avec pieds allongés à 25 mm (1") sous le sèche-linge.



Dimensions pour l'évacuation



Spécifications électriques

IMPORTANT : Observer les dispositions de tous les codes et règlements en vigueur.

Ce sèche-linge est équipé d'un cordon d'alimentation électrique et d'une prise de 16 A respectant les normes européennes. Il doit être connecté à une prise de courant correspondant au voltage indiqué sur la plaque signalétique. La capacité minimale du fusible d'alimentation doit être de 16 A. Le sèche-linge doit être installé de façon à ce que la prise soit accessible. Si la prise correspondante n'est pas utilisée, la connexion électrique doit être effectuée par un électricien compétent conformément aux codes locaux et nationaux.

Si le cordon d'alimentation est endommagé, il doit être remplacé par un cordon à embout spécifique par un agent d'entretien autorisé ou une personne compétente similaire.

Ne pas utiliser un adaptateur.

Ne pas utiliser une rallonge ni un bloc portatif de prises électriques avec ce sèche-linge.

NOTE : Selon les dispositions de la directive européenne EMC (89/336/EEC), l'impédance maximale du réseau d'alimentation électrique auquel le sèche-linge électrique doit être connecté est de 0,302 Ohm + j0,189 Ohm.

⚠ AVERTISSEMENT



Risque de choc électrique

Une mise à la terre est nécessaire sur ce sèche-linge.

Ne pas utiliser une tuyauterie de gaz pour le raccordement à la terre.

Ne pas changer la prise du cordon d'alimentation. Si elle ne correspond pas à la prise de sortie, la faire installer par un électricien qualifié.

Ne pas installer de fusible dans le circuit neutre ou de liaison à la terre.

Ne pas utiliser un câble de rallonge avec ce sèche-linge.

Consulter un électricien qualifié pour s'assurer que le sèche-linge est correctement branché.

Le non-respect de ces instructions peut causer un décès, un incendie ou une blessure grave.

Si les codes le permettent et si on utilise un conducteur distinct de liaison à la terre, il est recommandé qu'un électricien qualifié vérifie la qualité de la liaison à la terre.

Méthode recommandée de mise à la terre

- Vous devez contacter un installateur électrique qualifié pour garantir une installation conforme et aux autres codes et règlements locaux.

INSTRUCTIONS DE LIAISON A LA TERRE

■ Ce sèche-linge doit être relié à la terre. En cas d'anomalie de fonctionnement ou de panne, la liaison à la terre réduira le risque de choc électrique en offrant au courant électrique un itinéraire d'évacuation de moindre résistance. Ce sèche-linge est alimenté par un cordon électrique comportant un conducteur relié à la terre et une fiche de liaison à la terre. La fiche doit être branchée sur une prise de courant appropriée qui est bien installée et reliée à la terre conformément à tous les codes et règlements locaux.

AVERTISSEMENT: Un raccordement inapproprié du conducteur de liaison à la terre peut causer un risque de choc électrique.

En cas de doute concernant la liaison à la terre du sèche-linge, consulter un électricien qualifié, un agent ou personnel d'entretien. Ne pas modifier la fiche sur le cordon d'alimentation : si elle ne correspond pas à la prise de sortie, faire installer une prise appropriée par un électricien qualifié.

CONSERVER CES INSTRUCTIONS

- Utiliser un conduit d'évacuation métallique robuste de 102 mm (4") et des brides de fixation.
- Utiliser des brides pour sceller tous les joints. Le conduit d'évacuation ne doit pas être connecté ou fixé avec des vis ou avec tout autre dispositif de serrage qui se prolonge à l'intérieur du conduit et peuvent retenir la charpie. Ne pas utiliser de ruban adhésif pour conduit.

Utiliser un conduit d'évacuation en métal lourd. Ne pas utiliser de conduit de plastique ou de métal très mince.

On recommande d'utiliser un conduit métallique rigide pour réduire les risques d'écrasement et de déformation.

Seul un conduit métallique rigide ou souple doit être utilisé pour l'évacuation.

La longueur totale du conduit métallique souple ne doit pas dépasser 7 3/4 pi (2,4 m).

Un conduit métallique flexible doit être totalement déployé et soutenu lorsque le sèche-linge est à sa position finale. Enlever tout excès de conduit flexible pour éviter tout affaissement et déformation susceptible de réduire la capacité d'évacuation et le rendement.

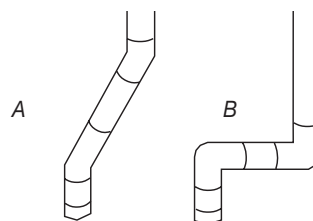
Terminer le conduit d'évacuation par un clapet de décharge pour empêcher les rongeurs et insectes d'entrer dans l'habitation ou le local.

Le clapet de décharge doit être situé à au moins 305 mm (12") au-dessus du sol ou de tout autre objet susceptible de se trouver sur le trajet de l'air humide rejeté (par exemple, fleurs, roches ou buissons, etc.).

Lors de l'utilisation d'un système de décharge existant, nettoyer et éliminer les peluches sur toute la longueur du système et veiller à ce que le clapet de décharge ne soit pas obstrué par une accumulation de peluches. Remplacer tout conduit de plastique ou de feuille métallique par un conduit métallique rigide ou souple.

Planifier l'installation pour introduire le nombre minimal de coudes et de changements de direction.

Eviter les changements de direction à 90°.



Débit de l'air évacué
A. Optimal
B. Correct

Si des coudes ou changements de direction sont utilisés, prévoir autant d'espace que possible. Plier le conduit graduellement pour éviter de le déformer.

On peut acheminer le conduit d'évacuation vers le haut, vers le bas, vers la gauche, vers la droite ou en ligne droite depuis l'arrière du sèche-linge.

La sortie d'évacuation est située au centre de la partie arrière du sèche-linge.

La conception du système d'évacuation doit permettre à toute condensation formée pendant le fonctionnement de l'appareil d'être retenue puis évaporée et évacuée. En suivant ces instructions d'installation, ces exigences sont convenablement respectées.

Exigences concernant l'évacuation

AVERTISSEMENT



Risque d'incendie

Utiliser un conduit d'évacuation en métal lourd.

Ne pas utiliser de conduit d'évacuation en plastique.

Ne pas utiliser de conduit d'évacuation en feuille de métal.

Le non-respect de ces instructions peut causer un décès ou un incendie.

AVERTISSEMENT : Pour réduire le risque d'incendie, ce sèche-linge doit EVACUER L'AIR A L'EXTERIEUR.

IMPORTANT : Observer les dispositions de tous les codes et règlements en vigueur.

- Le conduit d'évacuation du sèche-linge ne doit pas être connecté à une évacuation de gaz, une cheminée, un mur, un plafond, un vide de construction, un grenier, un vide, ou tout autre orifice d'évacuation.
- Ne pas utiliser un clapet d'évacuation à fermeture magnétique.
- Ne pas installer le conduit métallique flexible dans les cavités fermées des murs, plafonds ou sols.

Longueur du système d'évacuation

La longueur maximale du système d'évacuation dépend du type de conduit utilisé, du nombre de coudes et du type de clapet d'évacuation. La longueur maximale des conduits rigides et flexibles est illustrée sur le tableau.

Longueur maximale du conduit

Clapets d'évacuation – Diamètre de 102 mm



Conduit métallique rigide

Nbre de changements de direction à 90°	Clapet de type boîte et à persiennes	Clapet incliné
0	15,8 m (52 ft.)	13,4 m (44 ft.)
1	13,4 m (44 ft.)	11,0 m (36 ft.)
2	11,0 m (36 ft.)	8,5 m (28 ft.)
3	8,2 m (27 ft.)	6,4 m (21 ft.)
4	6,1 m (20 ft.)	4,3 m (14 ft.)

Pour les systèmes d'évacuation non illustrés dans le tableau de spécification (notamment les raccordements multiples, les plénums, et les ventilateurs motorisés), voir dans le Manuel d'entretien Whirlpool la section "Evacuation des sèche-linge Whirlpool", pièce n° LIT603197, disponible chez votre revendeur de pièces Whirlpool.

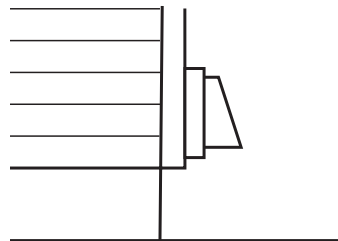
Si le sèche-linge est installé dans une zone confinée, telle qu'une chambre, une salle de bain ou un placard, prévoir un espace suffisant pour la combustion et la ventilation de l'air. (Vérifier les dispositions des codes et règlements en vigueur.) Voir "Instructions d'installation dans un encastrément ou un placard" dans la section "Exigences d'emplacement".on Instructions" in the "Location Requirements" section.

Il est préférable d'utiliser un clapet d'évacuation de 102 mm (4"). Cependant, on peut utiliser un clapet d'évacuation de 64 mm (2 1/2"). Une sortie de 64 mm (2 1/2") cause davantage de contre-pression que les autres types d'installation. Pour une installation permanente, un système d'évacuation fixe est requis.

INSTRUCTIONS D'INSTALLATION SECHE-LINGE ELECTRIQUE

Installation du dispositif d'évacuation

1. Installer le clapet d'évacuation. Calfeutrer l'ouverture murale à l'extérieur autour du clapet d'évacuation.



2. Raccorder le conduit d'évacuation au clapet. (Le conduit d'évacuation DOIT s'insérer dans le clapet.) Fixer ensemble le conduit et le clapet avec une bride de 102 mm (4").
3. Acheminer le conduit d'évacuation jusqu'à l'emplacement du sèche-linge. Utiliser l'itinéraire le plus rectiligne possible. Eviter les changements de direction à 90°. Utiliser des brides de 102 mm (4") pour fixer les pièces du conduit. Des cisailles de ferblantier peuvent être nécessaires pour couper le conduit à la longueur désirée.

Préparation du sèche-linge

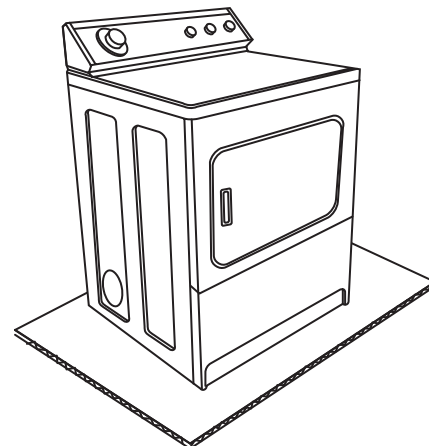
⚠ AVERTISSEMENT

Risque du poids excessif

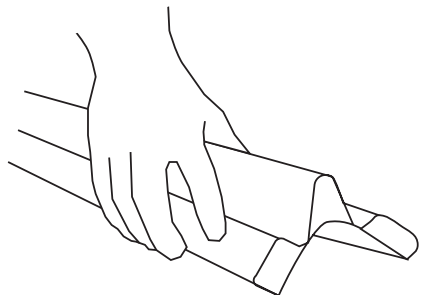
Deux personnes ou plus sont nécessaires pour déplacer et installer le sèche-linge.

Le non-respect de cette instruction peut causer une blessure au dos ou d'autres blessures.

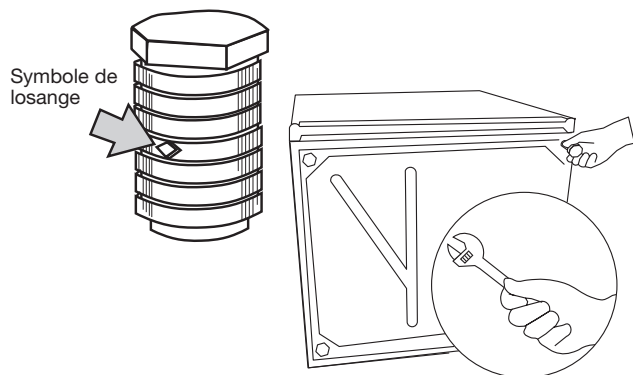
1. Retirer le ruban adhésif de la caisse du sèche-linge. Ouvrir la porte du sèche-linge et retirer le ruban adhésif du tambour. (Tous les tambours de sèche-linge ne sont pas couverts de ruban adhésif.) Retirer la grille de séchage, si présente. Tourner le tambour du sèche-linge dans le sens inverse des aiguilles d'une montre pour s'assurer que tout le ruban adhésif a été retiré. Essuyer le tambour avec un chiffon humide pour retirer toute la poussière.



- Placer deux cornières découpées dans le carton du sèche-linge sur le sol à l'arrière du sèche-linge. Agripper fermement le corps du sèche-linge et l'allonger doucement sur sa partie postérieure sur les cornières de carton.



- Commencer à visser les pieds manuellement. Utiliser une clé à molette ou un tourne-écrou de 25 mm (1") pour finir de fixer les pieds jusqu'à atteindre le bord du symbole (losange).



- Placer le sèche-linge en position verticale sur le carton ou le panneau dur.

Raccordement électrique

⚠ AVERTISSEMENT



Risque de choc électrique

Une mise à la terre est nécessaire sur ce sèche-linge.

Ne pas utiliser une tuyauterie de gaz pour le raccordement à la terre.

Ne pas changer la prise du cordon d'alimentation. Si elle ne correspond pas à la prise de sortie, la faire installer par un électricien qualifié.

Ne pas installer de fusible dans le circuit neutre ou de liaison à la terre.

Ne pas utiliser un câble de rallonge avec ce sèche-linge.

Consulter un électricien qualifié pour s'assurer que le sèche-linge est correctement branché.

Le non-respect de ces instructions peut causer un décès, un incendie ou une blessure grave.

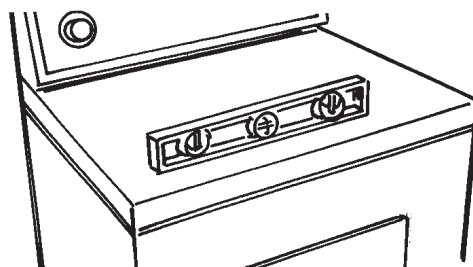
Brancher le cordon d'alimentation dans une prise reliée à la terre.

Réglage de l'aplomb et évacuation du sèche-linge

Le sèche-linge doit être d'aplomb pour réduire le bruit et garantir un fonctionnement correct.

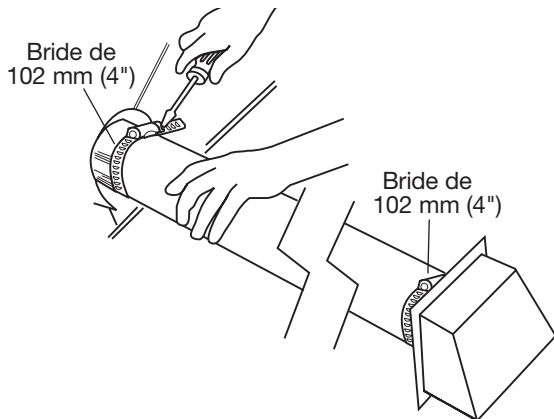
Faire glisser le sèche-linge sur le carton ou le panneau dur avant de le déplacer, pour empêcher d'endommager le sol.

- Approcher le sèche-linge de son emplacement final. Laisser suffisamment d'espace pour connecter le conduit d'évacuation. Retirer le carton ou le panneau dur situé sous le sèche-linge.
- Placer un niveau au-dessus du sèche-linge pour vérifier l'aplomb, d'un côté à l'autre puis de l'avant vers l'arrière. Si le sèche-linge n'est pas d'aplomb, ajuster les pieds vers le haut ou vers le bas.



3. Si les pieds ne sont pas assez longs pour obtenir un aplomb correct du sèche-linge, commander un Ensemble de pieds d'extension pour sèche-linge, pièce n° 279810 (deux pieds par ensemble), chez un revendeur.
4. Connecter le conduit d'évacuation à la bouche d'évacuation du sèche-linge. Le conduit d'évacuation du sèche-linge doit être fixé sur la bouche d'évacuation du sèche-linge et dans le clapet d'évacuation.

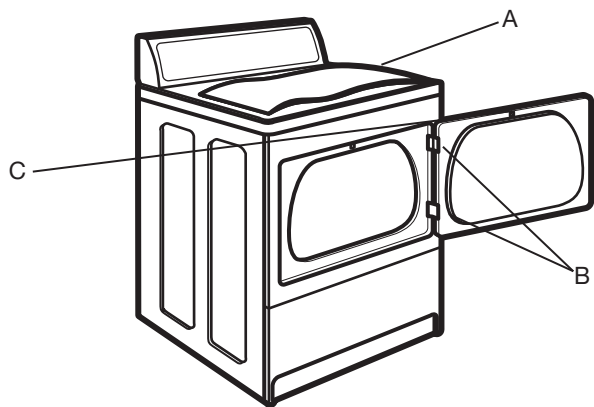
Utiliser des brides de conduit de 102 mm (4") pour calfeutrer tous les joints et fixer le conduit d'évacuation à la bouche d'évacuation du sèche-linge.



5. Placer le sèche-linge à son emplacement final.

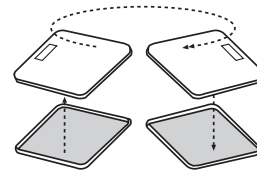
Inversion du sens de l'ouverture de la porte (facultatif)

Le sens d'ouverture de la porte peut être changé du côté droit au côté gauche, si désiré.

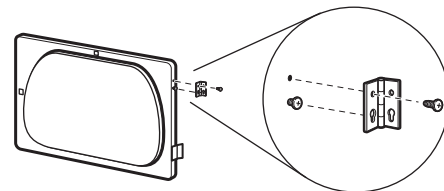


1. Placer une serviette (A) sur le dessus du sèche-linge afin de protéger la surface.

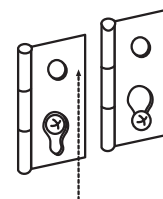
2. Ouvrir la porte du sèche-linge. Retirer les vis inférieures des charnières situées sur le côté du placard (B). Desserrer (sans les retirer) les vis supérieures des charnières situées sur le côté du placard.
3. Soulever la porte jusqu'à ce que les vis supérieures du placard se trouvent dans la partie la plus large de la fente de la charnière. Tirer la porte vers l'avant pour la dégager des vis. Poser la porte (poignée vers le haut) sur le dessus du sèche-linge. Retirer les vis supérieures du placard.
4. Enlever les vis fixant les charnières sur le cadre de la porte.
5. Enlever les vis du dessus, du dessous et du côté de la porte (5 vis) (C). En maintenant la porte sur une serviette au dessus du sèche-linge, saisir les côtés de la porte extérieure et la soulever pour la séparer doucement de la porte intérieure. Ne pas la dégager à l'aide d'un couteau à mastic. Ne pas tirer sur le joint ou le loquet en plastique de la porte.
6. S'assurer de maintenir la cale d'espacement en carton centrée entre les portes. Réinstaller le panneau de porte intérieure de sorte que la poignée soit du côté où les charnières viennent d'être retirées.



7. Fixer les charnières de porte à la porte du sèche-linge de façon à ce que la fente la plus grosse se trouve dans la partie inférieure de la charnière.



8. Retirer les 4 vis fixant 2 bouchons du côté gauche. Fixer les bouchons du côté droit au moyen des 4 vis.
9. Insérer les vis dans les fentes inférieures du côté gauche du placard. Resserrer les vis à moitié. Placer la porte de façon à ce que la plus grosse extrémité des fentes des charnières de porte se trouvent au-dessus des vis. Glisser la porte vers le haut afin que les vis se trouvent dans la partie inférieure des fentes. Resserrer les vis. Insérer les vis supérieures dans les charnières et serrer.



10. Fermer la porte et vérifier que la gâche de la porte est alignée avec le loquet porte. Si nécessaire, glisser le loquet de porte vers la gauche ou la droite dans la fente afin d'ajuster l'alignement.

Contrôle du fonctionnement

1. Vérifier que :

- Aucune étape n'a été oubliée.
- Toutes les pièces sont installées.
- Les pieds de nivellement sont correctement installés.
- Le sèche-linge est d'aplomb.
- Tous les joints du conduit d'évacuation sont fixés avec des brides de 102 mm (4").
- Tous les outils sont présents.

2. Brancher le cordon d'alimentation dans la prise de liaison à la terre.

- ### 3. Lire le Guide d'utilisation et d'entretien pour bien comprendre le fonctionnement de votre nouveau sèche-linge. Sélectionner un programme complet avec chaleur (pas le programme de séchage à l'air) et mettre en marche le sèche-linge. Après cinq minutes, ouvrir la porte du sèche-linge. On doit ressentir de la chaleur à l'intérieur du sèche-linge.

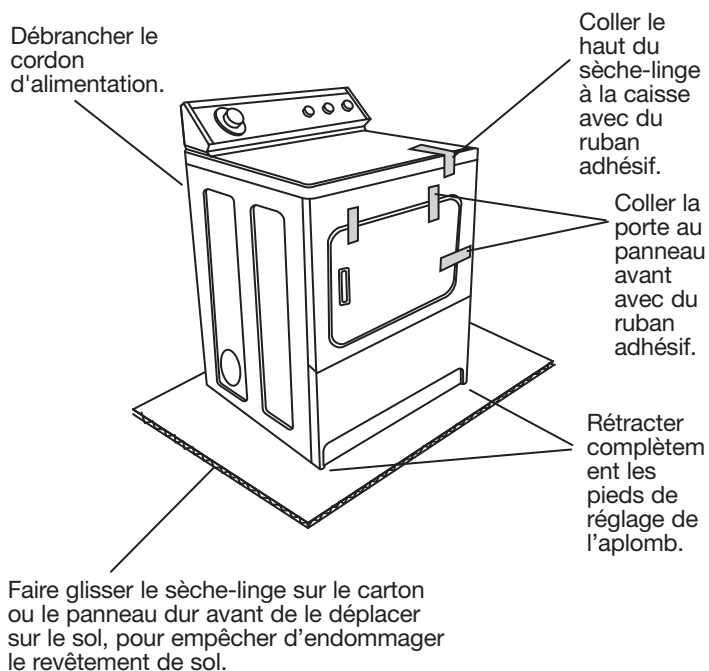
Si le sèche-linge ne fonctionne pas correctement, vérifier ce qui suit :

- la prise de courant est correctement alimentée.
- les fusibles du domicile sont intacts et serrés; ou le disjoncteur n'est pas déclenché.
- la porte du sèche-linge est fermée.
- les commandes sont réglées à la position de marche ou "ON".
- le bouton Start (mise en marche) a été enfoncé fermement.

Si le sèche-linge fait un bruit anormal, vérifier s'il est d'aplomb.

Vous déménagez et déplacez votre sèche-linge dans une nouvelle habitation?

Consulter un électricien agréé pour vérifier que le voltage du nouveau domicile correspond au voltage spécifié sur la plaque signalétique du modèle.



Caractéristiques techniques

(voir la plaque signalétique dans l'ouverture de la porte pour des détails complets sur le modèle)

220 – 240 V ~ 50 Hz, 1ph

3 100 W, IPX4

Capacité de charge : 9,0 Kg max.

W10115524A

2008 Whirlpool Corporation.
All rights reserved.
Todos los derechos reservados.
Tous droits réservés.

® Registered Trademark/TM Trademark of Whirlpool, U.S.A.
® Marca registrada/TM Marca de comercio de Whirlpool, U.S.A.
® Marque déposée/TM Marque de commerce de Whirlpool, U.S.A.

Printed in U.S.A.
Impreso en EE.UU
Imprimé aux E.-U.
11/2008