

Electrolux

Factory Parts Catalog

Product No.	E30MO75HPSB
Market	North America
Color	stainless steel
Volts	120
Watts	900
Wiring Diagram	5995660205
Owner's Guide	TINSEB493MRR2
Installation Instructions	TINSLB032MRR0

 **Electrolux**

Electrolux Major Appliances

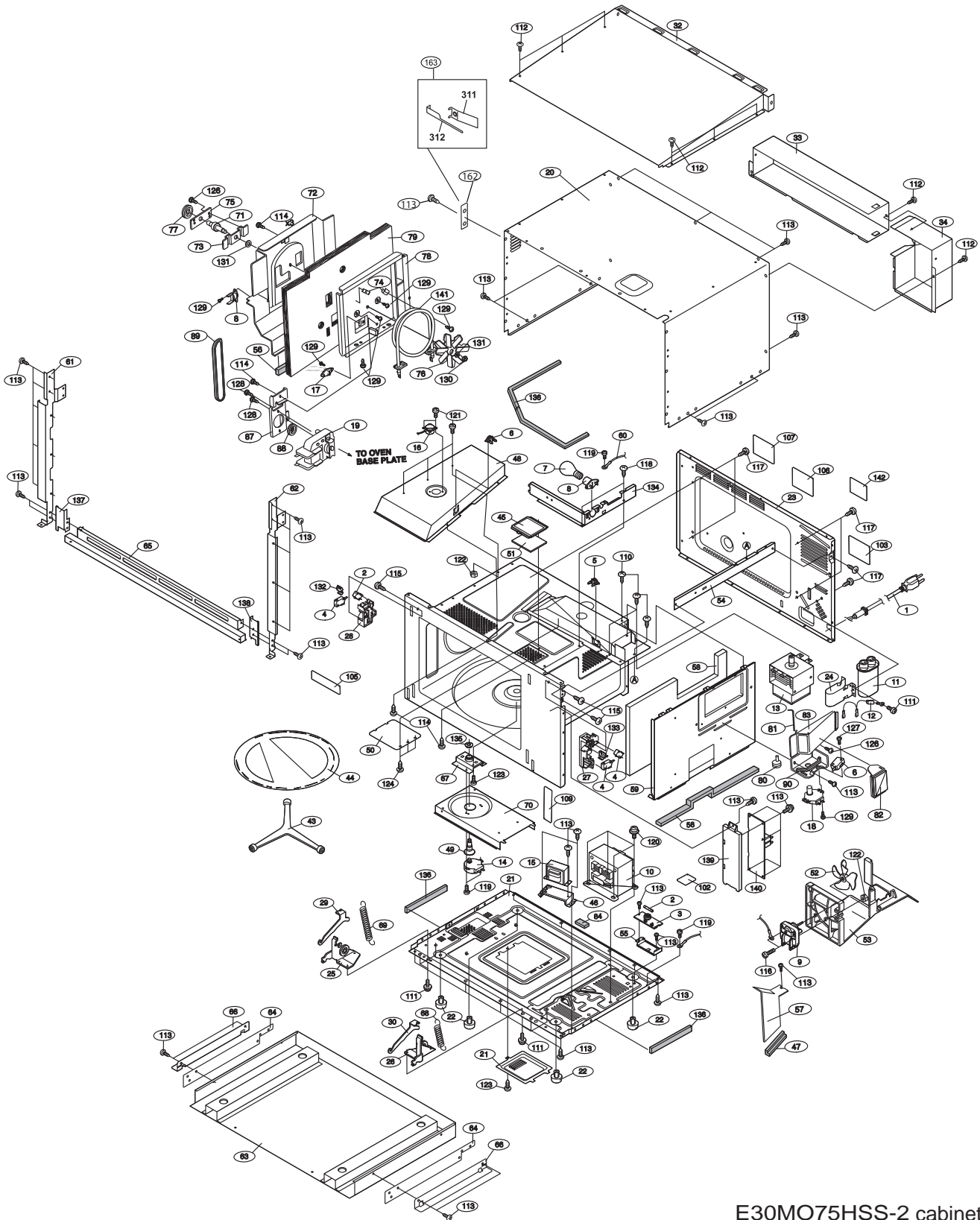
P.O. BOX 8020
CHARLOTTE, NC 28262

Publication No.
5995660205
15/04/23
(EN/SERVICE/)
099

BUILT-IN MICROWAVE

Model No.
E30MO75HP

OVEN, CABINET

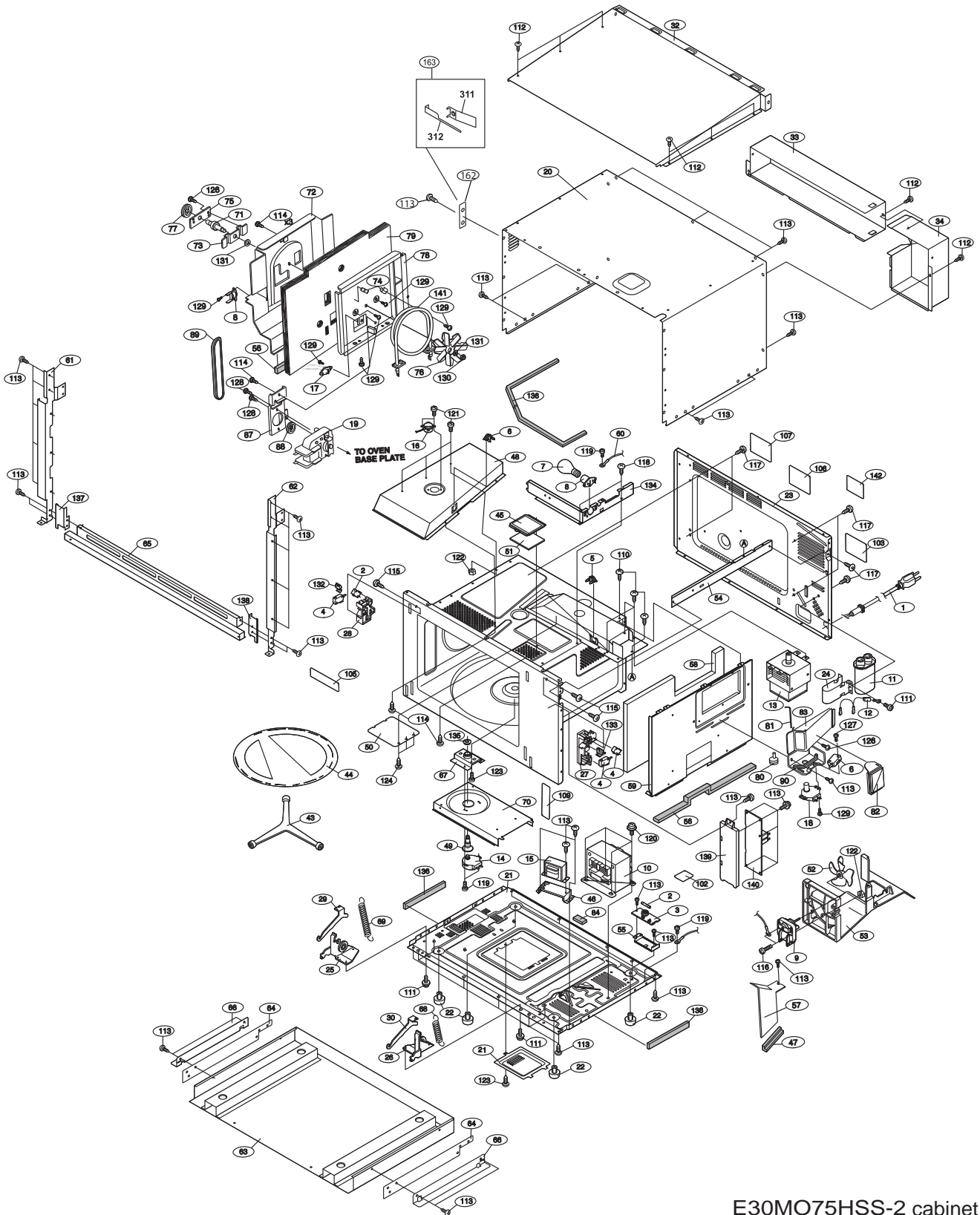


E30MO75HSS-2 cabinet

OVEN,CABINET

POS. NO	PART NO.	DESCRIPTION
1 #	5304470537	Power Cord, electric
2 #	5304461109	Assembly, fuse & switch, monitor
3 #	5304498734	Filter, noise, w/fuse mount
4 #	5304493153	Switch, interlock, door sensor
5 #	5304451403	Thermal Cutout, top heater
6 #	5304461114	Thermal Cut-Out, convection/oven, (2)
7	5304464198	Lamp, oven light
8 #	5304463785	Lampholder, socket
9 #	5304461119	Motor, fan
10 #	5304470538	Transformer, power
11 #	5304470539	Capacitor, high voltage
12 #	5304480635	Rectifier Assembly, high voltage
13 #	5304501808	Magnetron
14 #	5304498736	Motor, turntable
15 #	5304470541	Transformer, low voltage
16 #	5304461125	Sensor Assembly, AH
17 #	5304483929	Thermistor
18 #	5304485889	Motor, damper
19 #	5304471782	Motor, convection fan
20	5304470542	Cabinet, outer casing
21	5304470734	Base, chassis, w/motor cover
22	5304461127	Foot, cabinet, (4)
23	5304498738	Panel, cabinet back
24	5304498739	Holder, capacitor
25	5304480638	Hinge, oven, LH
26	5304480639	Hinge, oven, RH
27	5304470547	Latch Hook, right side
28	5304470548	Latch Hook, left side
29	5304480640	Cam, door, LH
30	5304480641	Cam, door, RH
32	5304501829	Cover, front
33	5304470553	Duct, B
34	5304470554	Duct, C
43	5304501830	Support, turntable, with rollers
44	5304498731	Tray, turntable, ceramic
45	5304461155	Frame, light lens
46	5304470564	Bracket, mounting, transformer
47	5304461157	Cushion
48	5304461158	Duct Assembly, steam release
49	5304480644	Coupling, turntable
50	5304461165	Cover, waveguide
51	5304461167	Lens, light
52 #	5304461173	Blade, fan
53	5304461174	Duct, cooling fan
54	5304461175	Support, chassis
55	5304461178	Bracket, noise filter, angle
56	5304461156	Cushion
57	5304461181	Guide, air, magnetron
58	5304461182	Sheet, thermal, protection
59	5304461183	Cover, thermal sheet, panel
60 #	5304461196	Wiring Harness, thermistor
61	5304470565	Trim, left side
62	5304470566	Trim, right side
63	5304501831	Duct, exhaust
64	5304501832	Angle, bottom
65	5304475717	Louver, inlet, 30 inch
66	5304501833	Angle, shipping
67	5304451459	Bracket, turntable mount
68	5304480645	Spring, door, RH
69	5304480646	Spring, door, LH
70	5304470576	Insulator, thermal barrier
71 #	5304461146	Bearing Assembly

OVEN, CABINET



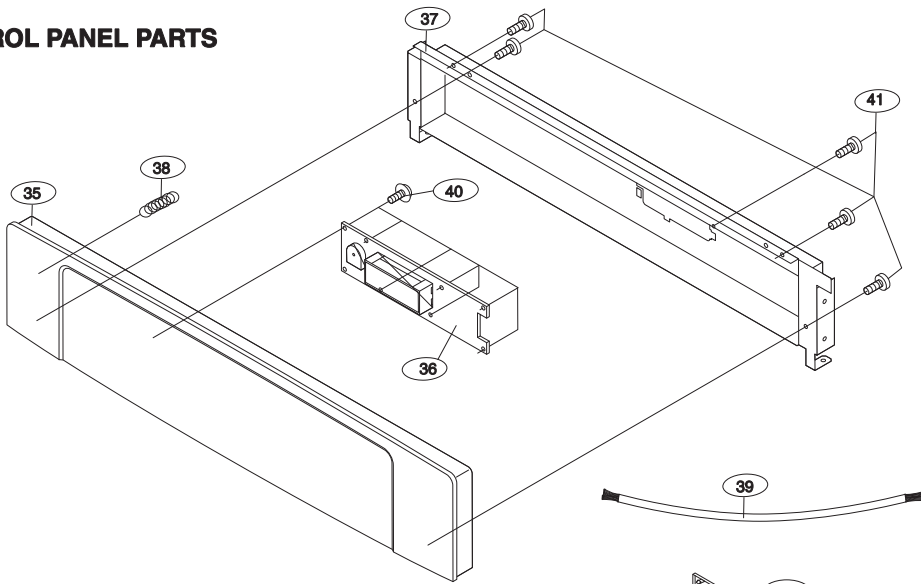
E30MO75HSS-2 cabinet

OVEN,CABINET

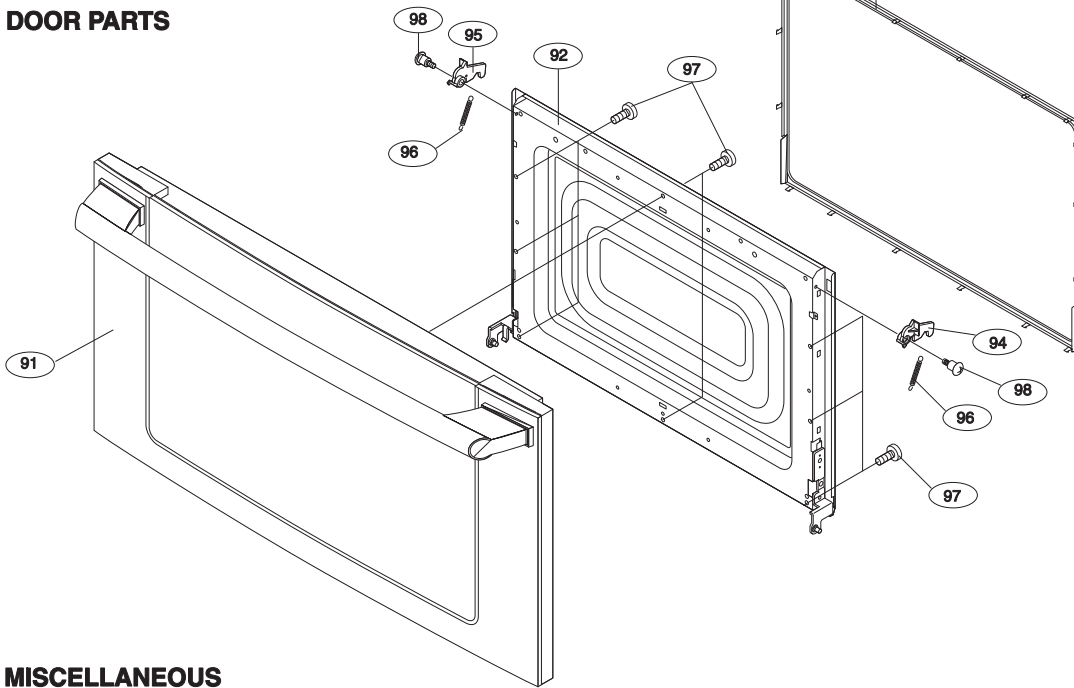
POS. NO	PART NO.	DESCRIPTION
72	5304461147	Plate, thermal protect, LH
73	5304461148	Plate, bearing mtg
74	5304461149	Holder, element
75	5304461150	Plate, bearing holder
76 #	5304461151	Fan Blade, convection
77 #	5304471508	Pulley, convection fan
78	5304461153	Duct Assembly, heater
79	5304461154	Sheet, thermal protect, LH
80	5304461159	Cam, damper
81	5304461160	Shaft, damper
82	5304461161	Door Assembly, damper
83	5304461162	Duct, damper
84	5304461163	Cushion
87	5304461172	Plate, motor mtg, convection
88 #	5304461152	Pulley, motor, convection fan
89 #	5304461177	Belt, convection fan
90	5304461179	Cushion, damper duct
102	5304440334	Label, Caution-monitor
103	5304465314	Label, NHW caution
105	5304451534	Label, User Caution, French
106	5304470585	Label, height caution
107	5304440333	Label, Caution-DHHS
109	5304471514	Label, menu
110	5303319636	Screw, (5)
111	5304451550	Screw, 4 mm x 8 mm
112	5304451552	Screw, 4 mm x 8 mm, silver
113	5304451553	Screw, 4 mm x 12 mm
114	5304461203	Screw, 4mm x 10mm, (6)
115	5303319641	Screw, (2)
116	5304461209	Screw, 4mm x 25mm, (2)
117	5304470587	Screw
118	5304461215	Screw, 4mm x 8mm, (2)
119	5304470588	Screw
120	5304461221	Screw, 6mm x 14mm, (4)
121	5304470589	Screw
122	5304470590	Nut, special
123	5304450253	Screw, 4 mm x 8 mm
124	5304461210	Screw, 4mm x 6mm, (3)
126	5304461204	Screw, 4mm x 8mm, (2)
127	5304461208	Screw, 3mm x 14mm
128	5304471515	Screw
129	5304461216	Screw, 3mm x 6mm
130	5304451547	Nut, element, 4 mm x 3.2 mm, (4)
131	5304461214	Washer
132	5304470591	Lever, switch actuator, left
133	5304470592	Lever, switch actuator, right
134	5304461171	Guide, air, RH
135	5304451470	Packing, silicon
136	5304461166	Cushion, (4)
137	5304470593	Trim, decorative, left side
138	5304470594	Trim, decorative, right side
139	5304470735	Holder, power board
140#	5304480616	Power Board, printed circuit
141#	5304474695	Element, heating, convection
142	5304440346	Label, User Caution, French
162	5304451562	Bracket, oven retainer, anti-tip
163	5304501835	Anti-tip Kit, w/brackets, tools, screws
311	318246000	ú Bracket, cabinet, anti-tip
311*	5303211311	ú Screw, 8-18 x 0.500
311*	5304438005	ú Screw, 6 x 1, black
312	318246702	ú Tool, oven release, RH key
312	318246703	ú Tool, oven release, LH key

CONTROL PANEL, DOOR, MISC.

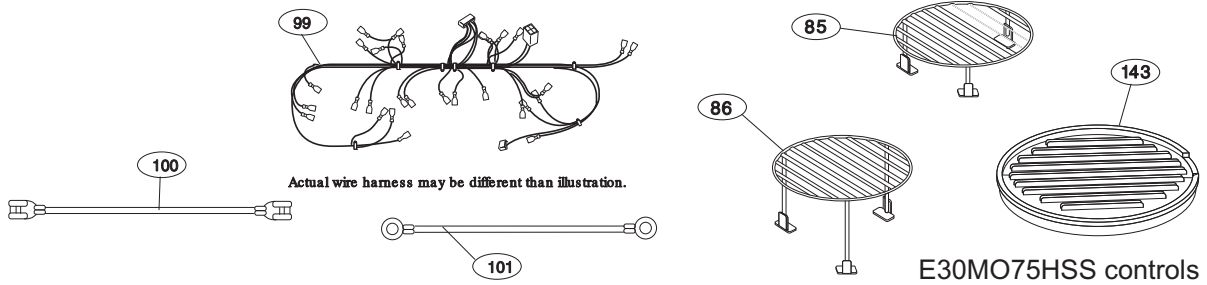
CONTROL PANEL PARTS



DOOR PARTS



MISCELLANEOUS



CONTROL PANEL,DOOR,MISC.

POS. NO	PART NO.	DESCRIPTION
35 #	5304471507	Touch Control, Professional
36 #	5304470557	Display Board, CPU
37	5304470558	Bracket, control mount
38	5304470560	Spring, grounding
39 #	5304470561	Wiring Harness, power supply
40	5304456930	Screw, 3 mm x 6 mm
41	5304451517	Screw, 4 mm x 8 mm
85	5304498741	Rack Assembly, broiling trivit, low
86	5304498742	Rack Assembly, baking, high
91	5304471511	Door, outer, Pro handle
92	5304471512	Panel, inner door
93	5304470579	Frame, inner door, choke cover
94	5304491054	Latch Head, right side
95	5304490142	Latch Head, left side
96	5304501834	Spring, latch head
97	5304451561	Screw, 4 mm x 8 mm
98	5304470583	Screw
99 #	5304480652	Harness, wiring, main
100#	5304440331	Wire, high voltage-A
101#	5304461199	Wire, ground, cooling fan
143	5304461261	Rack, bacon

WIRING DIAGRAM

SCHEMATIC DIAGRAM

SCHEMATIC
 NOTE: CONDITION OF OVEN
 1. DOOR CLOSED.
 2. CLOCK APPEARS ON DISPLAY.

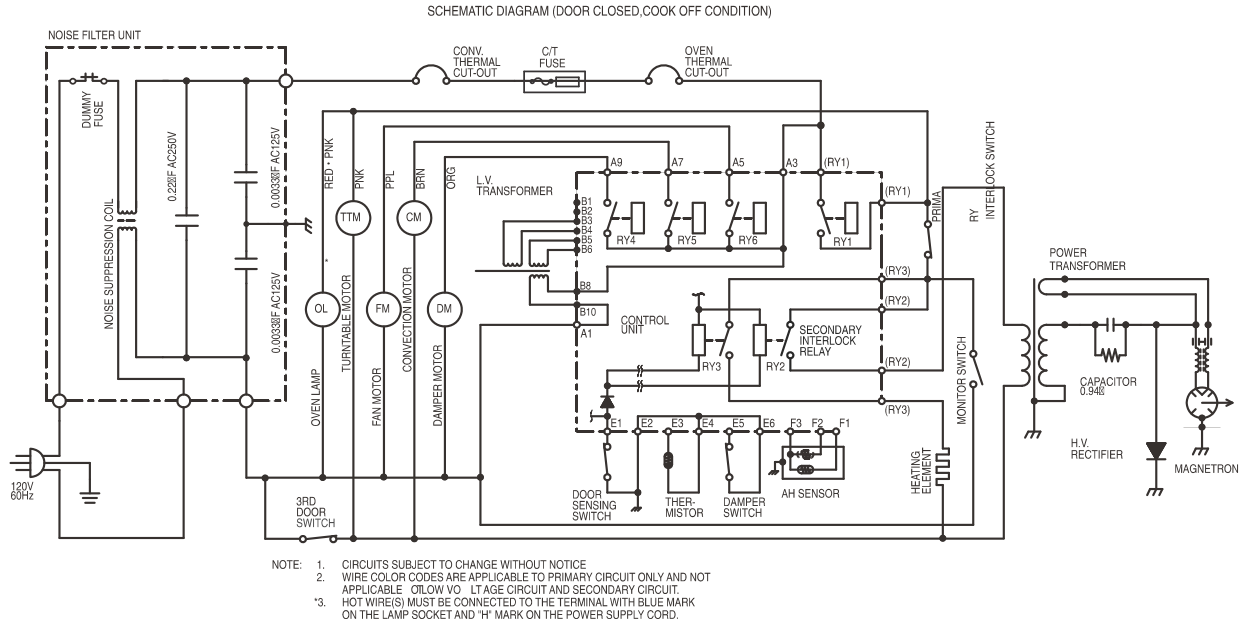


Figure O-1. Oven Schematic-OFF Condition

SCHEMATIC
 NOTE: CONDITION OF OVEN
 1. DOOR CLOSED.
 2. COOKING TIME PROGRAMMED.
 3. START PAD TOUCHED.

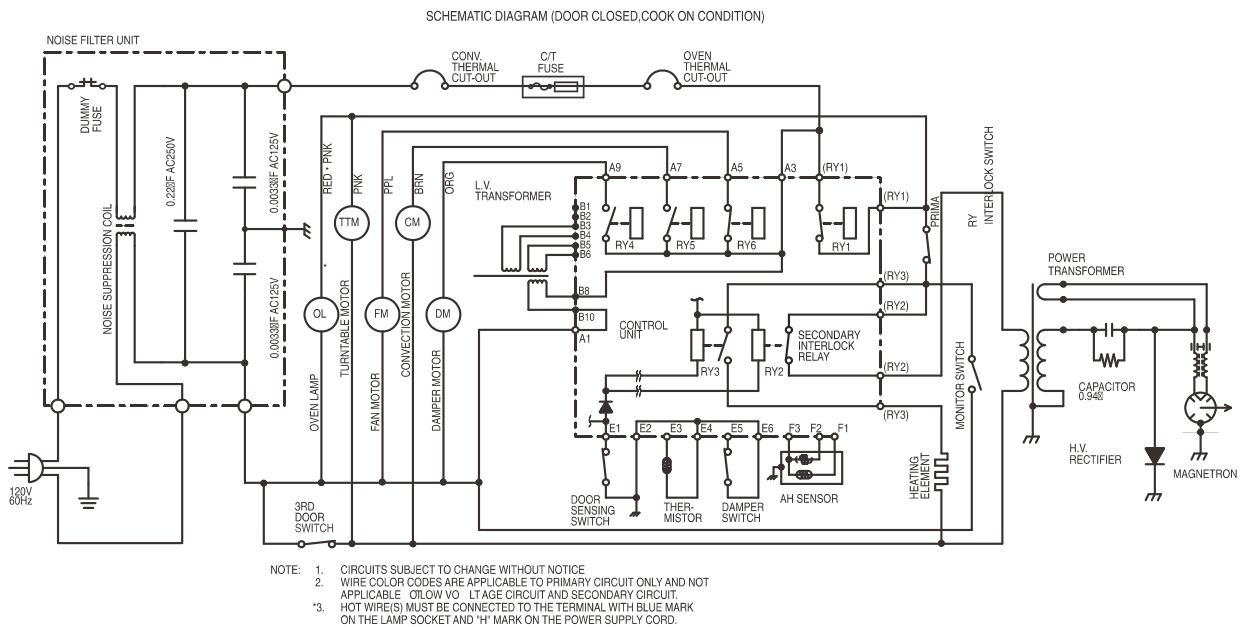


Figure O-2. Oven Schematic-Microwave Cooking Condition