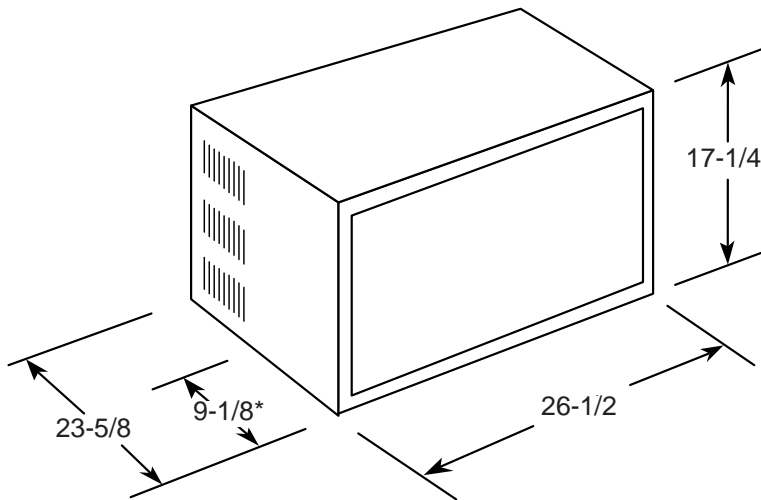




GE Appliances

## AVE15DA - GE 230 Volt Heat/Cool Series Room Air Conditioner

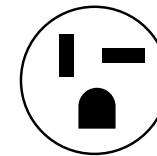
Wall Case Dimensions (in inches)



\* Distance from front of case to side louvers (excluding grille).

**Note:** When installing units in through-the-wall applications, keep louvers free. Do not restrict air flow areas. Fixed chassis units are not designed for through-the-wall applications.

Perpendicular



230/208V  
20 Amp

**Wall Outlets:** All wiring including installation of receptacle must be made in accordance with local electrical codes and regulations. Electrical outlet should be in reach of line cord.

**Note:** Aluminum wiring may pose special problems—consult a qualified electrician.

For answers to your Monogram®, GE Profile Performance Series™, GE Profile™ or GE appliance questions, call GE Answer Center® service, 800.626.2000.



Total capacity and E.E.R. ratings are calculated based on the Association of Home Appliance Manufacturers' standards.

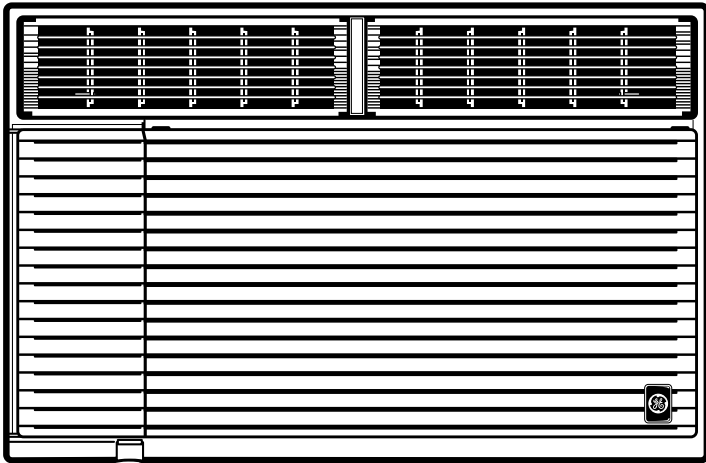


Listed by Underwriters Laboratories



GE Appliances

## AVE15DA - GE 230 Volt Heat/Cool Series Room Air Conditioner



### Features and Benefits

- Decorative Warm Gray-Beige Front
- 15,000/14,500 BTUH (Cooling), 10,200/8,700 BTUH (Electric Heat), 9.0/9.0 E.E.R., 230/208 Volts
- 1,670/1,610 Cooling Watts / 7.5/8.1 Cooling Amps / 15.0/13.5 Heating Watts
- 10-Position Thermostat
- 2 Cooling / 2 Heating Fan Speeds (1 Fan Position)
- 4.3 Dehumidification (pints/hr)
- 420 CFM
- 4-Way Variable Air Discharge
- Slide-Out Chassis
- Hidden Controls Provide Clean, Contemporary Appearance
- Easy Cleaning Rigid, Slide-Out Filter
- Exhaust for Air Exchange
- Plug Type - Tandem
- Rigid Panel Window Mounting
- Model AVE15DA - Gray-beige