

# INSTALLATION INSTRUCTIONS 24" (61 CM) ELECTRIC BUILT-IN OVEN

# INSTRUCTIONS D'INSTALLATION FOUR ÉLECTRIQUE ENCASTRÉ DE 24" (61 CM)

## Table of Contents

<b>BUILT-IN OVEN SAFETY</b> .....	<b>1</b>
<b>INSTALLATION REQUIREMENTS</b> .....	<b>2</b>
Tools and Parts.....	2
Location Requirements .....	2
Electrical Requirements.....	3
<b>INSTALLATION INSTRUCTIONS</b> .....	<b>4</b>
Prepare Built-In Oven .....	4
Remove Oven Door .....	4
Make Electrical Connection.....	4
Install Oven .....	5
Complete Installation.....	6

## Table des matières

<b>SÉCURITÉ DU FOUR ENCASTRÉ</b> .....	<b>7</b>
<b>EXIGENCES D'INSTALLATION</b> .....	<b>7</b>
Outillage et pièces.....	7
Exigences d'emplacement.....	7
Spécifications électriques.....	8
<b>INSTRUCTIONS D'INSTALLATION</b> .....	<b>9</b>
Préparation du four encastré .....	9
Dépose de la porte du four .....	9
Raccordement électrique.....	10
Installation du four.....	11
Achever l'installation .....	12

## BUILT-IN OVEN SAFETY

### Your safety and the safety of others are very important.

We have provided many important safety messages in this manual and on your appliance. Always read and obey all safety messages.



This is the safety alert symbol.

This symbol alerts you to potential hazards that can kill or hurt you and others.

All safety messages will follow the safety alert symbol and either the word "DANGER" or "WARNING."

These words mean:

**⚠ DANGER**

**You can be killed or seriously injured if you don't immediately follow instructions.**

**⚠ WARNING**

**You can be killed or seriously injured if you don't follow instructions.**

All safety messages will tell you what the potential hazard is, tell you how to reduce the chance of injury, and tell you what can happen if the instructions are not followed.

### IMPORTANT:

Save for local electrical inspector's use.

### IMPORTANT :

À conserver pour consultation par l'inspecteur local des installations électriques.

# INSTALLATION REQUIREMENTS

## Tools and Parts

Gather the required tools and parts before starting installation. Read and follow the instructions provided with any tools listed here.

### Tools needed

- Phillips screwdriver
- Measuring tape
- Level
- Hand or electric drill (for wall cabinet installations)
- 1" (25 mm) drill bit (for wall cabinet installations)

### Parts needed

- UL listed or CSA approved conduit connector
- UL listed wire connectors

### Parts supplied

- Four # 8–14 x 1" screws
- Four 4 x 13 mm screws
- 2 mounting rails
- 2 continuous-clean panels and rack guides
- Broil pan and grid

Check local codes. Check existing electrical supply. See "Electrical Requirements."

It is recommended that all electrical connections be made by a licensed, qualified electrical installer.

## Location Requirements

**IMPORTANT:** Observe all governing codes and ordinances.

- Cabinet opening dimensions that are shown must be used. Given dimensions provide minimum clearance with oven.
- Recessed installation area must provide complete enclosure around the recessed portion of the oven.
- Grounded electrical supply is required. See "Electrical Requirements" section.
- Electrical supply junction box should be located 3" (7.6 cm) maximum below the support surface when the oven is installed in a wall cabinet. A 1" (2.5 cm) minimum diameter hole should be located in the right rear or left rear corner of the support surface to pass the appliance cable through to the junction box.

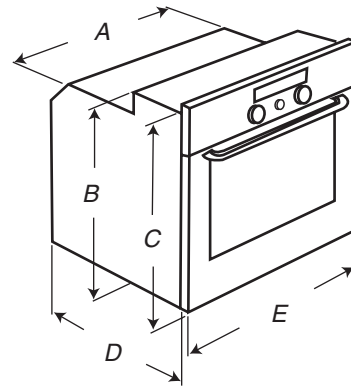
**NOTE:** For undercounter installation, it is recommended that the junction box be located in the adjacent right or left cabinet. If you are installing the junction box on rear wall behind oven, the junction box must be recessed and located in the upper or lower right or left corner of the cabinet; otherwise, the oven will not fit into the cabinet opening.

- Oven support surface must be solid, level and flush with bottom of cabinet cutout. Floor must be able to support a single oven weight of 140 lbs (63.5 kg).

## Undercounter Installation (with cooktop installed above):

Ovens approved for this type of installation have an approval label located on the top of the oven. Refer to undercounter installation instructions for cutout dimensions and approved oven cooktop combinations (separate sheet).

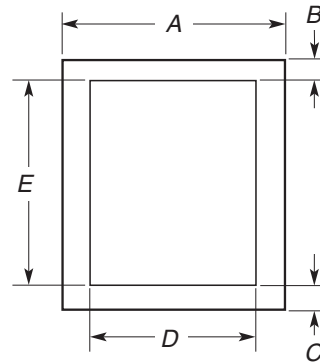
## Product Dimensions



- A.  $21\frac{29}{64}$ " (54.5 cm) max. recessed width  
B.  $22\frac{17}{32}$ " (57.2 cm) recessed height  
C.  $23\frac{27}{64}$ " (59.5 cm) max. overall height  
D.  $21\frac{3}{16}$ " (53.8 cm) max. recessed depth  
E.  $23\frac{27}{64}$ " (59.5 cm) overall width

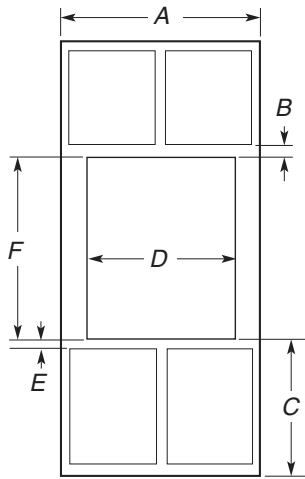
## Cabinet Dimensions

### Oven Undercounter (without cooktop installed above)



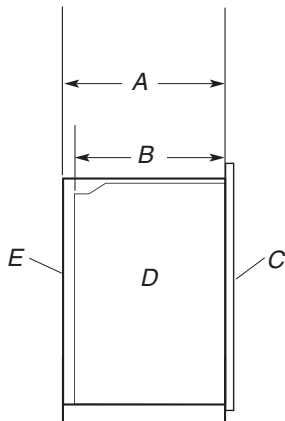
- A. 24" (61 cm) min. cabinet width  
B.  $1\frac{1}{2}$ " (3.8 cm) min. top of cutout to underside of countertop  
C.  $5\frac{1}{4}$ " (13.3 cm) bottom of cutout to floor  
D. 22" (56 cm) cutout width  
E.  $23\frac{1}{32}$ " (58.5 cm) min. cutout height

## Oven Installed in Cabinet



- |  |  |
|--|--|
| A. 24" (61 cm) min. cabinet width                            | D. 22" (56 cm) cutout width                                  |
| B. 1" (2.5 cm) top of cutout to bottom of upper cabinet door | E. 1½" (3.8 cm) min. bottom of cutout to top of cabinet door |
| C. 32" (81.3 cm) bottom of cutout to floor                   | F. 23½" (58.5 cm) min. cutout height                         |

## Cabinet Side View



- |                                      |                  |
|--------------------------------------|------------------|
| A. 23¼" (59.1 cm) min. cutout depth  | D. Recessed oven |
| B. 23" (58.4 cm) recessed oven depth | E. Cabinet       |
| C. Oven front                        |                  |

## Electrical Requirements

If codes permit and a separate ground wire is used, it is recommended that a qualified electrical installer determine that the ground path and wire gauge are in accordance with local codes.

Check with a qualified electrical installer if you are not sure the oven is properly grounded.

This oven must be connected to a grounded metal, permanent wiring system.

Be sure that the electrical connection and wire size are adequate and in conformance with the National Electrical Code, ANSI/NFPA 70-latest edition or CSA Standards C22.1-94, Canadian Electrical Code, Part 1 and C22.2 No. O-M91-latest edition, and all local codes and ordinances.

A copy of the above code standards can be obtained from:

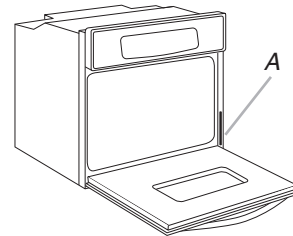
National Fire Protection Association  
One Batterymarch Park  
Quincy, MA 02269  
CSA International  
8501 East Pleasant Valley Road  
Cleveland, OH 44131-5575

## Electrical Connection

To properly install your oven, you must determine the type of electrical connection you will be using and follow the instructions provided for it here.

- Oven must be connected to the proper electrical voltage and frequency as specified on the model/serial number rating plate. The model/serial number rating plate is located at the bottom of the right-hand mounting rail. See the following illustration.

## Single Oven



A. Model/serial number plate

- Models rated at 7.2 kW and below at 240 volts (5.4 kW and below at 208 volts) require a separate 30-amp circuit.
- A circuit breaker is recommended.
- Connect directly to the circuit breaker box (or fused disconnect) through flexible, armored or nonmetallic sheathed, copper cable (with grounding wire). See "Make Electrical Connection" section.
- Flexible conduit from oven should be connected directly to the junction box.
- Do not cut the conduit. The length of conduit provided is for serviceability of the oven.
- A UL listed or CSA approved conduit connector must be provided.
- If the house has aluminum wiring follow the procedure below:
  1. Connect a section of solid copper wire to the ends of the flexible conduit leads.
  2. Connect the aluminum wiring to the added section of copper wire using special connectors and/or tools designed and UL listed for joining copper to aluminum.

Follow the electrical connector manufacturer's recommended procedure. Aluminum/copper connection must conform with local codes and industry accepted wiring practices.

# INSTALLATION INSTRUCTIONS

## Prepare Built-In Oven

**NOTE:** The IKEA® Column Cabinet is available for installation but not required. The oven may also be installed into custom cabinets.

1. Decide on the final location for the oven.

### **! WARNING**

#### Excessive Weight Hazard

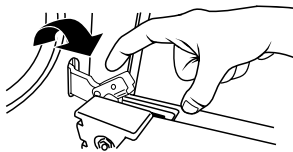
**Use two or more people to move and install oven.  
Failure to do so can result in back or other injury.**

2. To avoid floor damage, set the oven onto cardboard prior to installation. Do not use oven door handle or any portion of the front frame or trim for lifting.
3. Remove the shipping materials and tape from the oven.
4. Remove the hardware package from inside the bag containing literature.
5. Remove and set aside racks and other parts from inside the oven.
6. Move oven and cardboard close to the oven's final location.

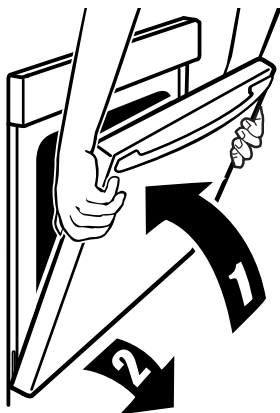
## Remove Oven Door

**IMPORTANT:** Use both hands to remove oven doors.

1. Open oven door all the way.
2. Flip up the hinge latch on each side.



3. Close the oven door as far as it will shut.
4. Lift the oven door while holding both sides.  
Continue to push the oven door closed and pull it away from the oven door frame.



## Make Electrical Connection

### **! WARNING**



#### Electrical Shock Hazard

**Disconnect power before servicing.**

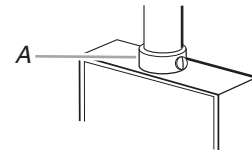
**Use 12 gauge solid copper wire.**

**Electrically ground oven.**

**Failure to follow these instructions can result in death, fire, or electrical shock.**

This oven is manufactured with a neutral (white) power supply wire and a cabinet-connected green (or bare) ground wire twisted together.

1. Disconnect power.
2. Feed the flexible conduit from the oven through the opening in the cabinet.
3. Remove junction box cover, if it is present.
4. Install a UL listed or CSA approved conduit connector to the junction box.



A. UL listed or CSA approved conduit connector

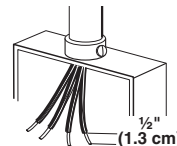
5. Route the flexible conduit from the oven to the junction box through a UL listed or CSA approved conduit connector.
6. Tighten screws on conduit connector.
7. See Electrical Connection Options Chart to complete installation for your type of electrical connection.

### Electrical Connection Options Chart

**If your home has:**

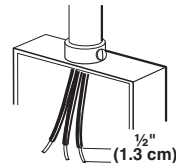
**Go to section:**

4-wire



4-wire Cable from Home Power Supply

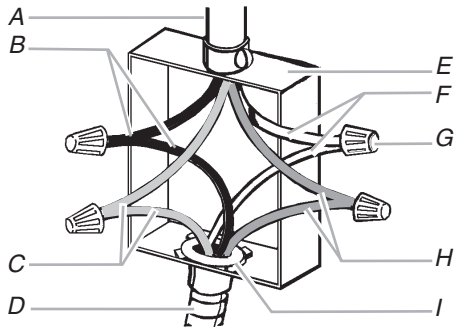
3-wire



3-wire Cable from Home Power Supply

## 4-Wire Cable from Home Power Supply

**IMPORTANT:** Use the 4-wire cable from home power supply in the U.S. where local codes do not allow grounding through neutral, New Branch circuit installations (1996 NEC), mobile homes and recreational vehicles, new construction and in Canada.

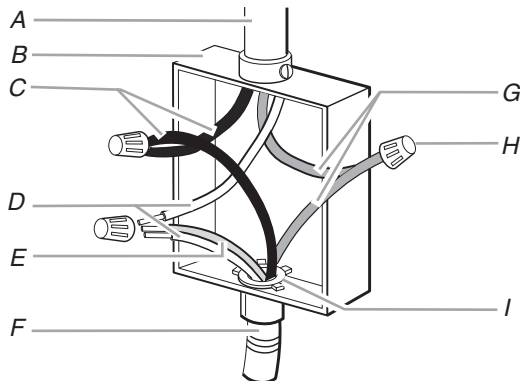


- |                                      |  |
|--------------------------------------|--|
| A. Cable from home power supply      | F. White wires                                 |
| B. Black wires                       | G. UL listed wire connectors                   |
| C. Red wires                         | H. Green (or bare) ground wires                |
| D. 4-wire flexible conduit from oven | I. UL listed or CSA approved conduit connector |
| E. Junction box                      |  |

1. Connect the 2 black wires (B) together using a UL listed wire connector.
2. Connect the 2 red wires (C) together using a UL listed wire connector.
3. Untwist white wire from green (or bare) ground wire (H) coming from the oven.
4. Connect the 2 white wires (F) together using a UL listed wire connector.
5. Connect the green (or bare) ground wire (H) from the oven conduit to the green (or bare) ground wire (in the junction box) (H) using a UL listed wire connector.
6. Install junction box cover.

## 3-Wire Cable from Home Power Supply—U.S. Only

**IMPORTANT:** Use the 3-wire cable from home power supply where local codes permit a 3-wire connection.

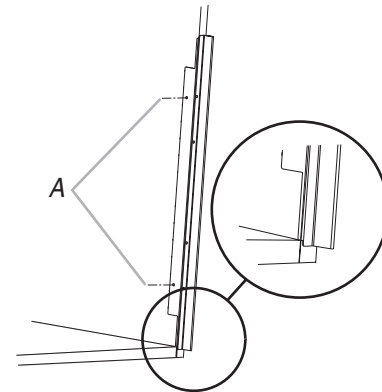


- |  |  |
|--|--|
| A. Cable from home power supply            | F. 4-wire flexible conduit from oven           |
| B. Junction box                            | G. Red wires                                   |
| C. Black wires                             | H. UL listed wire connectors                   |
| D. White wires                             | I. UL listed or CSA approved conduit connector |
| E. Green (or bare) ground wire (from oven) |  |

1. Connect the 2 black wires (C) together using a UL listed wire connector.
2. Connect the 2 white wires (D) and the green (or bare) ground wire (from the oven) (E) using a UL listed wire connector.
3. Connect the 2 red wires (G) together using a UL listed wire connector.
4. Install junction box cover.

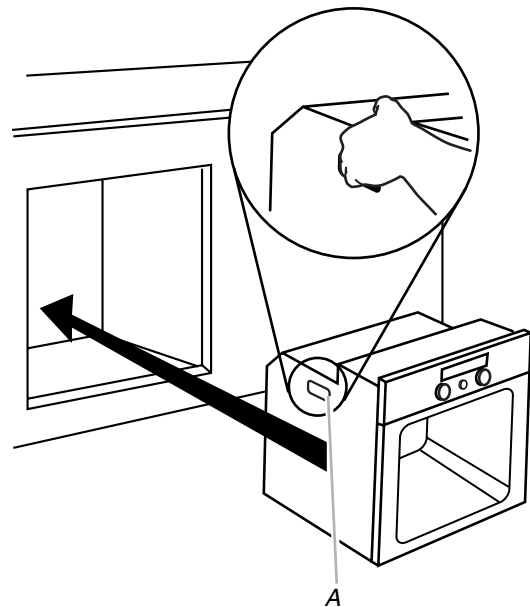
## Install Oven

1. Attach and securely fasten one mounting rail to each side of the cabinet, using two 4 x 13 mm screws. Do not overtighten screws.



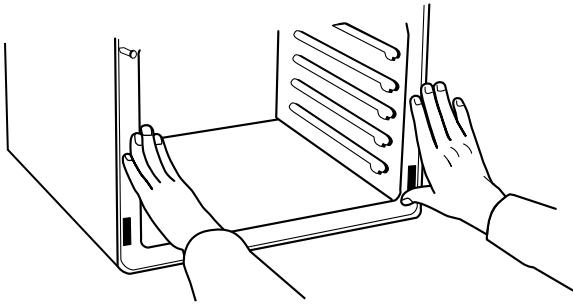
A. 4 x 13 mm screws

2. Using two or more people, lift the oven by the side handles located on the right-hand and left-hand side of the oven. Gently insert into the cabinet cutout.

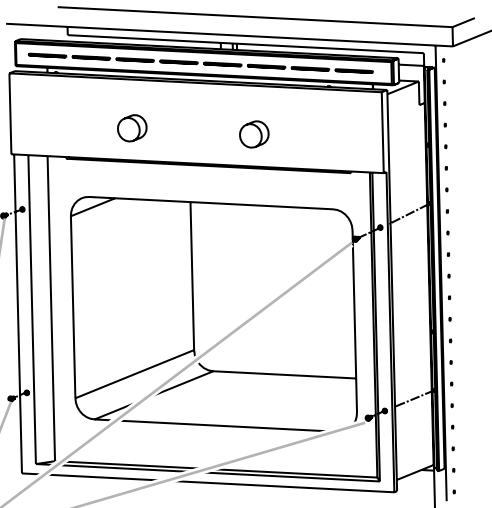


A. Side handle

3. Push against seal area of front frame to push oven into cabinet.



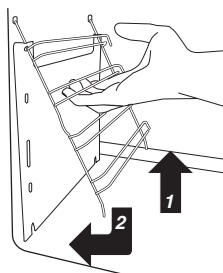
4. Securely fasten oven to cabinet using the four #8-14 x 1" screws provided. Insert the screws through holes in mounting rails. Do not overtighten screws.



A

A. #8-14 x 1" screws

5. Install the continuous-clean panels and side rails.
6. Place upright continuous-clean panel next to oven wall.
7. Match up retaining holes in top of panel to corresponding retaining holes on the oven wall.
8. Lift and push the top of the side rails into the top retaining holes of the panel and wall. When the top has locked into place, do the same with the bottom.



9. Install the oven racks.

10. Replace oven door by inserting both hanger arms into the door.



11. Open the oven door. You should hear a "click" as the door is set into place.
12. Move the hinge levers back to the locked position.
13. Check that the door is free to open and close. If it is not, repeat the oven door removal process and installation procedures. See "Remove Oven Door" section.
14. Reconnect power.
15. On some models, the display panel will light briefly, and "PF" should appear in the display.
16. If display panel does not light, please reference the "Assistance or Service" section of the Use and Care Guide or contact the dealer from whom you purchased your oven.

## Complete Installation

1. Check that all parts are now installed. If there is an extra part, go back through the steps to see which step was skipped.
2. Check that you have all of your tools.
3. Dispose of/recycle all packaging materials.
4. For oven use and cleaning, read the Use and Care Guide.

## Check Operation

1. Turn the oven control knob to the oven light position. Check that oven light turns on.
 

**If oven(s) does not operate, check the following:**

  - Household fuse is intact and tight; or circuit breaker has not tripped.
  - Electrical supply is connected.
  - See "Troubleshooting" section in the Use and Care Guide.
2. When oven has been on for 5 minutes, feel for heat.
 

**If you do not feel heat, turn off the oven and contact a qualified technician.**
3. To set clock and other oven functions refer to the Use and Care Guide.

## If you need Assistance or Service:

Please reference the "Assistance or Service" section of the Use and Care Guide or contact the dealer from whom you purchased your built-in oven.

# SÉCURITÉ DU FOUR ENCASTRÉ

## Votre sécurité et celle des autres est très importante.

Nous donnons de nombreux messages de sécurité importants dans ce manuel et sur votre appareil ménager. Assurez-vous de toujours lire tous les messages de sécurité et de vous y conformer.



Voici le symbole d'alerte de sécurité.

Ce symbole d'alerte de sécurité vous signale les dangers potentiels de décès et de blessures graves à vous et à d'autres.

Tous les messages de sécurité suivront le symbole d'alerte de sécurité et le mot "DANGER" ou "AVERTISSEMENT". Ces mots signifient :

**⚠ DANGER**

**Risque possible de décès ou de blessure grave si vous ne suivez pas immédiatement les instructions.**

**⚠ AVERTISSEMENT**

**Risque possible de décès ou de blessure grave si vous ne suivez pas les instructions.**

Tous les messages de sécurité vous diront quel est le danger potentiel et vous disent comment réduire le risque de blessure et ce qui peut se produire en cas de non-respect des instructions.

## EXIGENCES D'INSTALLATION

### Outillage et pièces

Rassembler les outils et pièces nécessaires avant de commencer l'installation. Lire et suivre les instructions fournies avec les outils indiqués ici.

#### Outillage nécessaire

- Tournevis Philips
- Mètre ruban
- Niveau
- Perceuse manuelle ou électrique (pour l'installation dans un placard mural)
- Foret de 1" (25 mm) (pour l'installation dans un placard mural)

#### Pièces nécessaires

- Connecteur de conduit (homologation UL ou CSA)
- Connecteurs de fils (homologation UL)

#### Pièces fournies

- Quatre vis n° 8-14 x 1"
- Quatre vis de 4 x 13 mm
- 2 rails de montage
- 2 panneaux à nettoyage continu et glissières
- Lèchefrite et grille

Consulter les codes locaux. Vérifier l'alimentation électrique existante. Voir "Spécifications électriques".

Il est recommandé de faire réaliser tous les raccordements électriques par un électricien qualifié agréé.

### Exigences d'emplacement

**IMPORTANT :** Observer les dispositions de tous les codes et règlements en vigueur.

- Respecter les dimensions indiquées pour la cavité d'installation entre les placards. Ces dimensions prennent en compte les dégagements de séparation nécessaires.
- Pour l'installation comme four encastré, l'espace d'installation doit permettre la formation d'une enceinte complète autour de la partie encastrée du four.
- Une source d'électricité avec liaison à la terre est nécessaire. Voir la section "Spécifications électriques".
- Le boîtier de raccordement doit être situé à moins de 3" (7,6 cm) au-dessous de la surface de support lorsque le four est installé dans un placard mural. Percer un trou de diamètre 1" (2,5 cm) ou plus dans l'angle arrière gauche ou droit de la surface de support pour le passage du câble d'alimentation jusqu'au boîtier de connexion.

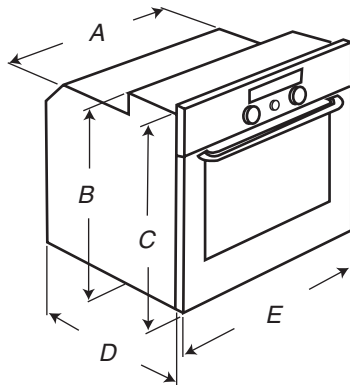
**REMARQUE :** Pour l'installation sous un plan de travail, on recommande que le boîtier de connexion soit situé dans le placard adjacent, à droite ou à gauche. Dans le cas de l'installation du boîtier de connexion sur le mur arrière, derrière le four, le boîtier de connexion devra être encastré et placé dans l'angle inférieur ou supérieur du placard, à gauche ou à droite; sinon le four ne pourrait pas passer dans l'ouverture destinée à le recevoir.

- La surface de support du four doit être robuste, horizontale et en affleurement avec le bas de l'ouverture découpée dans le placard. Le plancher doit pouvoir soutenir le poids du four : 140 lb (63,5 kg) pour un four simple.

### Installation sous un plan de travail (avec table de cuisson installée au-dessus) :

Les fours homologués pour ce type d'installation comportent une étiquette d'homologation placée sur le dessus du four. Voir les instructions d'installation du plan de travail au sujet des dimensions de l'ouverture à réaliser et des combinaisons approuvées four/table de cuisson (document distinct).

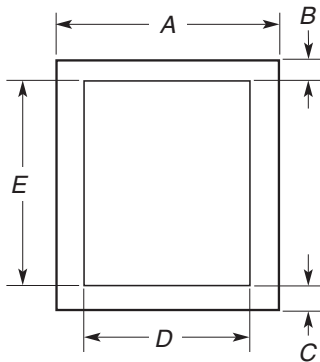
#### Dimensions du produit



- A. Largeur encastrement 21<sup>29</sup>/<sub>64</sub>" (54,5 cm) max.  
 B. Hauteur encastrement 22<sup>17</sup>/<sub>32</sub>" (57,2 cm)  
 C. Hauteur hors-tout 23<sup>27</sup>/<sub>64</sub>" (59,5 cm) max.  
 D. Profondeur encastrement 21<sup>3</sup>/<sub>16</sub>" (53,8 cm) max.  
 E. Largeur hors-tout 23<sup>27</sup>/<sub>64</sub>" (59,5 cm)

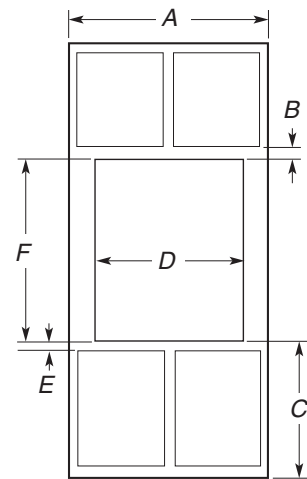
#### Dimensions du placard

### Four simple sous le plan de travail (sans table de cuisson au-dessus)



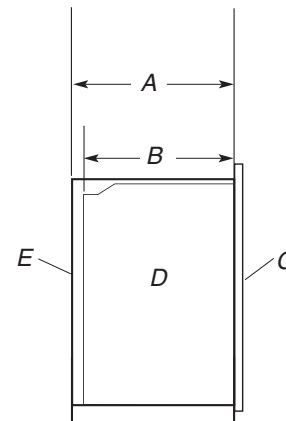
- A. Largeur placard 24" (61 cm) min.  
 B. Distance entre sommet de l'ouverture et face inf. du plan de travail 1<sup>1</sup>/<sub>2</sub>" (3,8 cm) min.  
 C. Distance entre plancher et bord inf. de l'ouverture 5<sup>1</sup>/<sub>4</sub>" (13,3 cm)  
 D. Largeur ouverture 22" (56 cm)  
 E. Hauteur ouverture 23<sup>1</sup>/<sub>32</sub>" (58,5 cm) min.

### Four simple installé dans un placard



- A. Largeur placard 24" (61,0 cm) min.  
 B. Distance entre sommet de l'ouverture et bas de porte de placard supérieur 1" (2,5 cm)  
 C. Distance entre plancher et bord inf. de l'ouverture 32" (81,3 cm)  
 D. Largeur ouverture 22" (56 cm) min.  
 E. Distance entre bas de l'ouverture et sommet de porte de placard 1<sup>1</sup>/<sub>2</sub>" (3,8 cm) min.  
 F. Hauteur ouverture 23<sup>1</sup>/<sub>32</sub>" (58,5 cm) min.

#### Vue en coupe du placard



- A. Profondeur ouverture 23<sup>1</sup>/<sub>4</sub>" (59,1 cm) min.  
 B. Profondeur du four encastré 23" (58,4 cm)  
 C. Avant du four  
 D. Four encastré  
 E. Placard

### Spécifications électriques

Si on utilise un conducteur distinct de liaison à la terre lorsque les codes le permettent, il est recommandé qu'un électricien qualifié vérifie que la liaison à la terre et le calibre pour fils sont conformes aux codes locaux.

En cas de doute quant à la qualité de la liaison à la terre du four, consulter un électricien qualifié.

Ce four doit être raccordé à un système permanent, métallique de câblage relié à la terre.



S'assurer que la connexion électrique et le calibre des fils sont appropriés et conformes au National Electrical Code, aux normes ANSI/NFPA 70 - dernière édition, ou aux normes CSA C22.1-94, au Code canadien de l'électricité, Partie 1 et C22.2 N° O-M91 - dernière édition, et à tous les codes et règlements locaux.

Pour obtenir un exemplaire de la norme des codes ci-dessus, contacter :

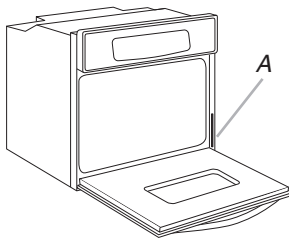
National Fire Protection Association  
One Batterymarch Park  
Quincy, MA 02269  
CSA International  
8501 East Pleasant Valley Road  
Cleveland, OH 44131-5575

## Raccordement électrique

Pour installer le four correctement, il faut établir le type de raccords électriques que l'on utilisera et suivre les instructions indiquées ici.

- Le four doit être alimenté par une source d'électricité appropriée (caractéristiques de tension et fréquence spécifiées sur la plaque signalétique). La plaque signalétique est située en bas du rail de montage de droite. Voir l'illustration ci-dessous.

### Four simple



A. Plaque signalétique

- Un modèle de 7,2 kW ou inférieur à 240 volts (5,4 kW ou inférieur à 208 volts) doit être alimenté par un circuit indépendant de 30 A.
- On recommande d'utiliser un disjoncteur.
- Raccorder l'appareil directement au coupe-circuit avec fusible ou au disjoncteur par un câble à conducteur de cuivre et gaine métallique flexible ou gaine non métallique (avec conducteur de liaison à la terre). Voir la section "Raccordement électrique".
- Le conduit flexible du four doit être connecté directement dans le boîtier de connexion.
- Ne pas couper le conduit. La longueur du conduit fournie est destinée à faciliter l'entretien du four.
- L'installateur doit fournir un connecteur de conduit (homologation UL ou CSA).
- Si le domicile est équipé d'un câblage en aluminium, suivre les instructions suivantes :
  1. Connecter une section de câble en cuivre massif aux fils du conduit flexible.
  2. Connecter le câblage en aluminium à la section ajoutée de câblage en cuivre en utilisant des connecteurs et/ou des outils spécialement conçus et homologués UL pour fixer le cuivre à l'aluminium.

Appliquer la procédure recommandée par le fabricant des connecteurs. La connexion aluminium/cuivre doit être conforme aux codes locaux et aux pratiques de câblage acceptées par l'industrie.

# INSTRUCTIONS D'INSTALLATION

## Préparation du four encastré

**REMARQUE :** Le placard à colonne IKEA® est recommandé pour l'installation mais n'est pas indispensable. Le four peut aussi être installé dans des placards personnalisés.

1. Choisir l'emplacement final pour l'installation du four.

## **⚠ AVERTISSEMENT**

### Risque du poids excessif

Utiliser deux ou plus de personnes pour déplacer et installer le four.

Le non-respect de cette instruction peut causer une blessure au dos ou d'autre blessure.

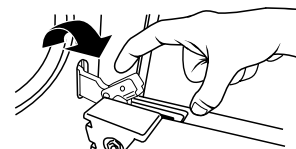
2. Pour éviter d'endommager le plancher, placer le four sur une feuille de carton avant l'installation. Lors des opérations de levage, ne pas prendre prise sur la poignée, sur une autre partie du châssis avant ou sur la garniture de l'appareil.

3. Enlever les matériaux d'emballage et les rubans adhésifs du four.
4. Enlever le matériel à l'intérieur du sachet de documentation.
5. Enlever et conserver à part les grilles et autres composants qu'on trouve à l'intérieur du four.
6. Approcher le four et la feuille de carton de l'emplacement final du four.

## Dépose de la porte du four

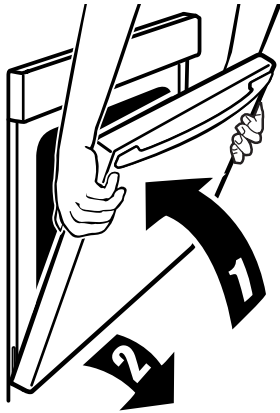
**IMPORTANT :** Employer les deux mains pour enlever la porte du four.

1. Ouvrir la porte du four complètement.
2. Relever le loquet de charnière de chaque côté.



3. Fermer la porte du four aussi loin qu'elle peut aller.
4. Soulever la porte du four en la retenant de chaque côté.

Continuer de maintenir la porte du four fermée et la dégager du châssis de la porte du four.



## Raccordement électrique

### ⚠ AVERTISSEMENT



#### Risque de choc électrique

**Déconnecter la source de courant électrique avant d'entreprendre le travail.**

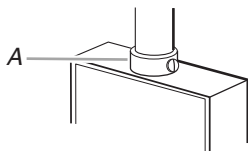
**Utiliser du fil en cuivre rigide de calibre 12.**

**Relier le four à la terre.**

**Le non-respect de ces instructions peut causer un décès, un incendie ou un choc électrique.**

Le câblage d'alimentation de ce four comporte un conducteur neutre (blanc) et un conducteur vert (ou nu) de liaison à la terre connecté à la caisse; ces deux conducteurs sont torsadés.

1. Déconnecter la source de courant électrique.
2. Faire passer le conduit de câble flexible depuis le four à travers l'ouverture dans le placard.
3. Le cas échéant, enlever le couvercle du boîtier de connexion.
4. Installer un connecteur de conduit (homologation UL ou CSA) sur le boîtier de connexion.



A. Connecteur de conduit (homologation UL ou CSA)

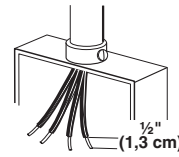
5. Acheminer le conduit de câble flexible depuis le four jusqu'au boîtier de connexion—utiliser un connecteur de conduit (homologation UL ou CSA).
6. Serrer les vis sur le connecteur de conduit.
7. Voir Tableau des options de raccordement électrique pour terminer l'installation correspondant à votre type de raccordement électrique.

## Tableau des options de raccordement électrique

### Câblage de la maison :

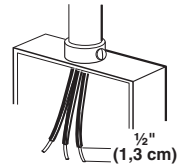
### Voir la section :

4 conducteurs



Câble à 4 conducteurs depuis le point de distribution du domicile

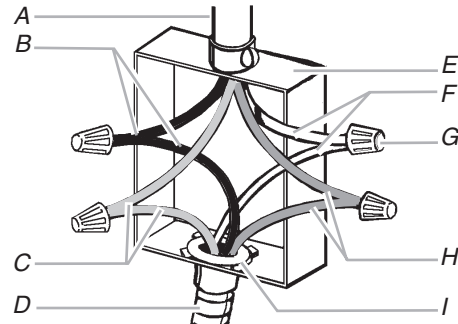
3 conducteurs



Câble à 3 conducteurs depuis le point de distribution du domicile

### Câble à 4 conducteurs depuis le point de distribution du domicile

**IMPORTANT :** Utiliser le câble à 4 conducteurs provenant du point de distribution du domicile aux États-Unis lorsque les codes ne permettent pas la mise à la terre par l'intermédiaire du conducteur neutre, en cas de nouvelle installation avec alimentation par un circuit secondaire (1996 NEC), dans les résidences mobiles et les véhicules récréatifs, dans les nouvelles constructions, et au Canada.



A. Câble depuis le point de distribution du domicile

B. Conducteurs noirs

C. Conducteurs rouges

D. Câble flexible à 4 conducteurs depuis le four

E. Boîtier de connexion

F. Conducteurs blancs

G. Connecteurs de fils (homologation UL)

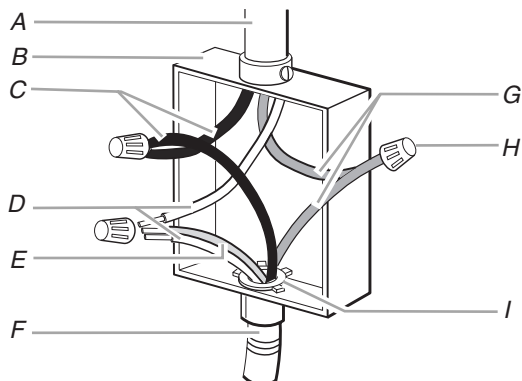
H. Conducteurs verts (ou nus) de liaison à la terre

I. Connecteur de conduit (homologation UL ou CSA)

1. Connecter ensemble les 2 conducteurs noirs (B) avec un connecteur de fils (homologation UL).
2. Connecter ensemble les 2 conducteurs rouges (C) avec un connecteur de fils (homologation UL).
3. Détorsader le conducteur blanc du conducteur vert (ou nu) de liaison à la terre provenant du four.
4. Connecter ensemble les 2 conducteurs blancs (F) avec un connecteur de fils (homologation UL).
5. Connecter le conducteur vert (ou nu) de liaison à la terre (H) du câble du four au conducteur vert (ou nu) de liaison à la terre dans le boîtier de connexion—utiliser un connecteur de fils (homologation UL).
6. Installer le couvercle du boîtier de connexion.

## Câble à 3 conducteurs depuis le point de distribution du domicile—É.-U. seulement

**IMPORTANT :** Utiliser le câble à 3 conducteurs depuis le point de distribution du domicile lorsque les codes locaux autorisent un tel raccordement.

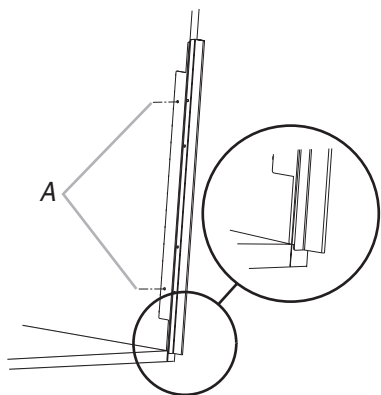


- |   |   |
|---|---|
| A. Câble depuis le point de distribution du domicile              | F. Câble flexible à 4 conducteurs depuis le four  |
| B. Boîtier de connexion   | G. Conducteurs rouges                             |
| C. Conducteurs noirs  | H. Connecteurs de fils (homologation UL)          |
| D. Conducteurs blancs   | I. Connecteur de conduit (homologation UL ou CSA) |
| E. Conducteur vert (ou nu) de liaison à la terre (depuis le four) |   |

1. Connecter ensemble les 2 conducteurs noirs (C) avec un connecteur de fils (homologation UL).
2. Connecter les 2 conducteurs blancs (D) et le conducteur vert (ou nu) de liaison à la terre (du câble du four) (E) avec un connecteur de fils (homologation UL).
3. Connecter ensemble les 2 conducteurs rouges (G) avec un connecteur de fils (homologation UL).
4. Installer le couvercle du boîtier de connexion.

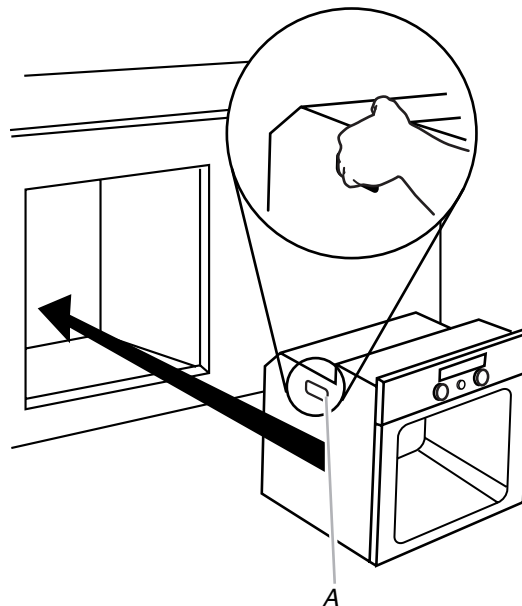
## Installation du four

1. Fixer solidement chaque rail de montage de chaque côté du placard, à l'aide de deux vis de 4 x 13 mm. Ne pas serrer excessivement les vis.



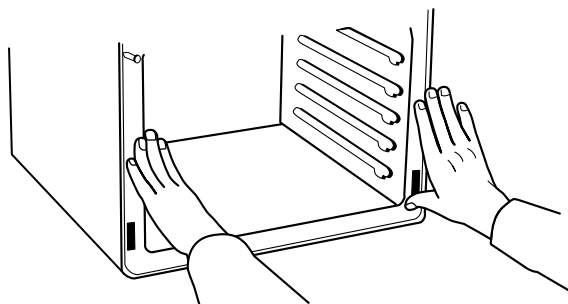
A. Vis de 4 x 13 mm

2. À l'aide de deux personnes ou plus, soulever le four par les poignées latérales situées de chaque côté du four. Insérer délicatement le four dans l'ouverture du placard.

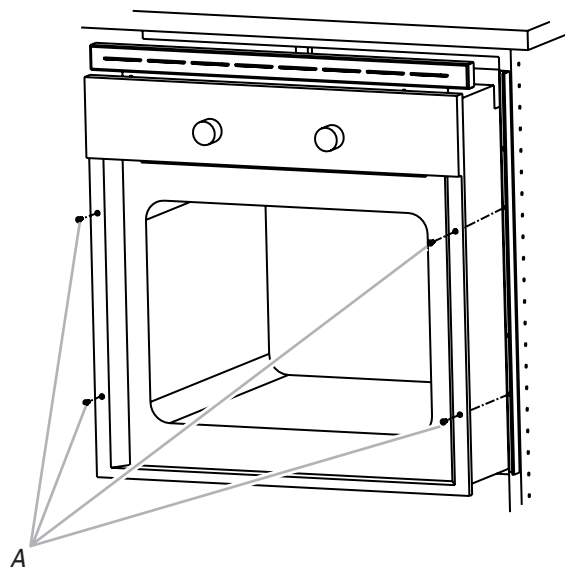


A. Poignée latérale.

3. Pousser contre la zone du joint du châssis avant pour introduire le four dans le placard.

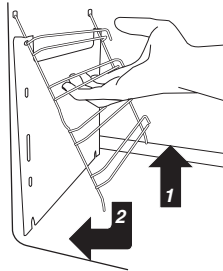


4. Fixer solidement le four au placard à l'aide des vis fournies. Insérer les quatre vis n° 8-14 x 1" dans les trous des rails de montage. Ne pas serrer excessivement les vis.



A. Vis n° 8-14 x 1"

5. Installer les panneaux à nettoyage continu et les rails latéraux.
6. Placer le panneau à nettoyage continu en position verticale à proximité de la paroi du four.
7. Faire correspondre les trous de retenue de la partie supérieure du panneau aux trous de retenue correspondants dans la paroi du four.
8. Soulever et pousser la partie supérieure des rails latéraux dans les trous de retenue supérieurs du panneau et de la paroi. Lorsque la partie supérieure est bien en place, procéder de la même façon avec la partie inférieure.



9. Installer les grilles du four.
10. Réinstaller la porte du four en insérant les deux bras de suspension dans la porte.



11. Ouvrir la porte du four. Vous devriez entendre un déclic lors de la mise en place de la porte.

12. Remettre les leviers des charnières à la position verrouillée.
13. Effectuer quelques manœuvres d'ouverture/fermeture de la porte du four pour vérifier le bon fonctionnement. En cas d'impossibilité d'ouverture ou de fermeture parfaite de la porte, répéter les procédures de dépose et d'installation de la porte. Voir la section "Dépose de la porte du four".
14. Reconnecter la source de courant électrique.
15. Le tableau d'affichage s'allumera brièvement et "PF" devrait s'afficher.
16. Si le tableau d'affichage ne s'allume pas, consulter la section "Assistance ou service" du Guide d'utilisation et d'entretien ou contacter le marchand qui vous a vendu le four.

## Achever l'installation

1. Vérifier que toutes les pièces sont maintenant installées. S'il reste une pièce, passer en revue les différentes étapes pour découvrir laquelle aurait été oubliée.
2. Vérifier la présence de tous les outils.
3. Jeter/recycler tous les matériaux d'emballage.
4. Pour l'utilisation et le nettoyage du four, lire le Guide d'utilisation et d'entretien.

## Contrôle du fonctionnement

1. Mettre l'appareil sous tension. Tourner le bouton de commande du four à la position lampe du four. Vérifier que la lampe du four s'allume.

### Si le(s) four(s) ne fonctionne(nt) pas, contrôler ce qui suit :

- Les fusibles du domicile sont intacts et serrés; le disjoncteur n'est pas déclenché.
  - La prise de courant est correctement alimentée.
  - Voir la section "Dépannage" dans le Guide d'utilisation et d'entretien.
2. Après 5 minutes de fonctionnement du four, évaluer l'échauffement au toucher.
 

**Si aucun échauffement n'est perceptible, éteindre le four et contacter un technicien qualifié.**
  3. Pour le réglage de l'horloge et d'autres fonctions du four, consulter le Guide d'utilisation et d'entretien.

### Si vous avez besoin d'assistance ou de service :

Consulter la section "Assistance ou service" du Guide d'utilisation et d'entretien ou contacter le marchand chez qui le four encastré a été acheté.