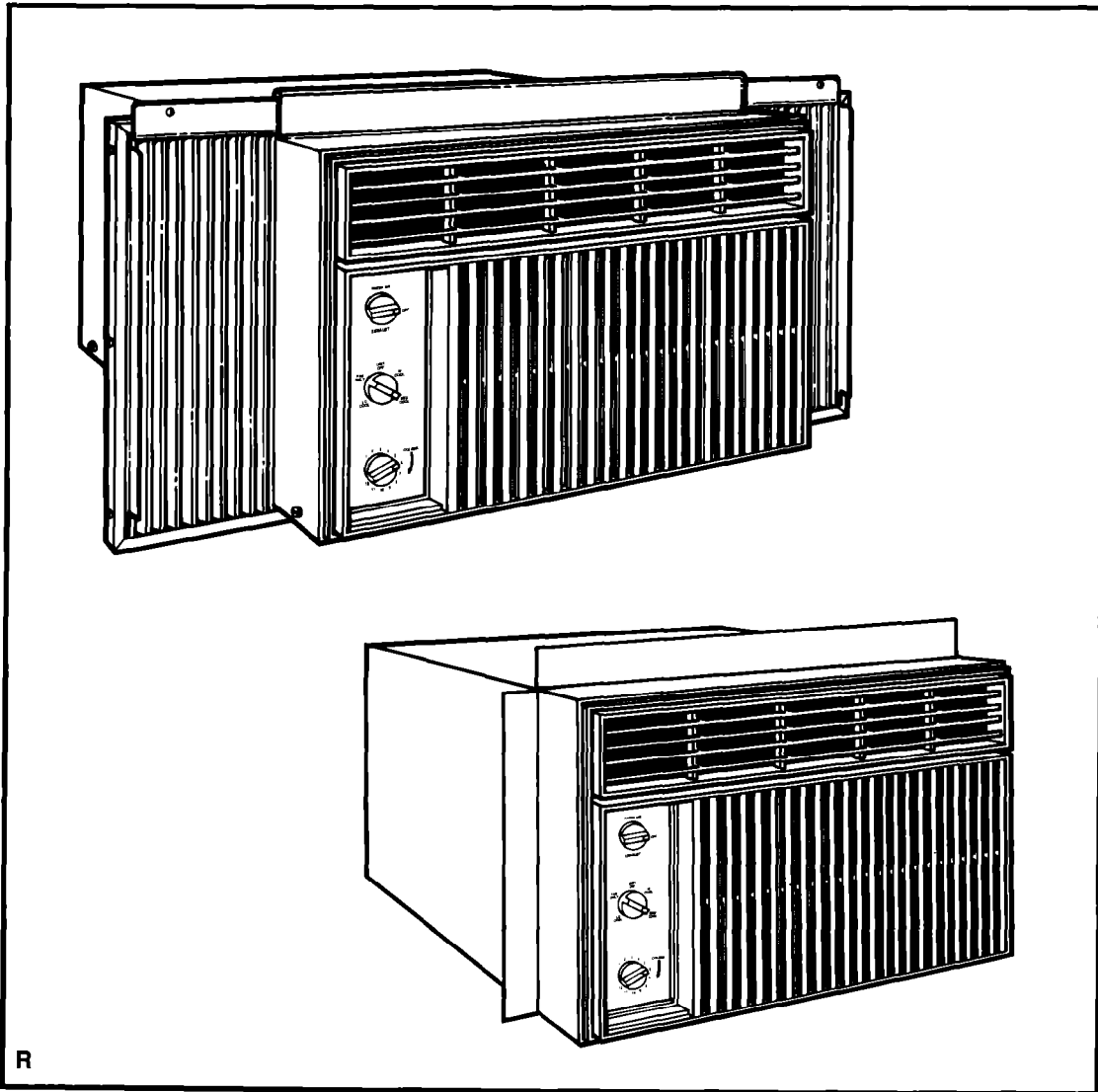


# ROOM AIR CONDITIONER

## Installation Instructions and Use & Care Guide

---



# Contents

	Page
<b>Important Safety Instructions</b> .....	2
<b>Electrical Requirements</b> .....	3
<b>Installation Instructions</b> .....	8
Window installation – A .....	9
Window installation – B .....	12
Through-the-wall installation .....	17
<b>Operating Instructions</b> .....	20
Starting your air conditioner .....	20
The ENERGY SAVER settings .....	20
The exhaust control .....	21
Changing air direction .....	22
<b>Cleaning Instructions</b> .....	22
Cleaning front panel and filter .....	22
<b>Maintenance Instructions</b> .....	23
Annual maintenance .....	23
Oiling the fan motor .....	25
Energy saving tips .....	25
<b>If You Need Service Or Assistance</b> .....	28

**Thank you for buying this appliance.** Please complete the form below. Have this information ready if you need service or call with a question.

- Copy model and serial numbers from label (see diagram below) and purchase date from sales slip.
- Keep this book and sales slip together in a handy place.

---

**Model Number**

---

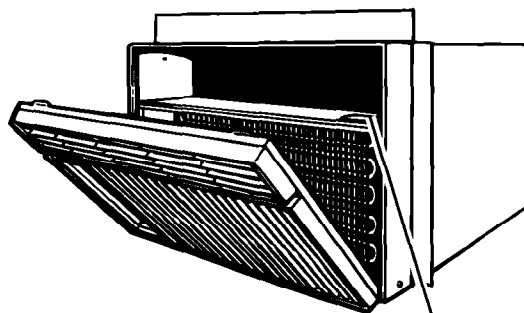
**Serial Number**

---

**Purchase Date**

---

**Service Company Phone Number**



Model and  
serial number  
label

# Important Safety Instructions

## ⚠ WARNING

To reduce the risk of fire, electrical shock or personal injury when using your air conditioner, follow these basic precautions:

- **Read all instructions before using your air conditioner.**
- **Complete the installation requirements as described in "Installation Instructions" on pages 8-19.**
- **Never allow children to operate or play with the air conditioner.**
- **Do not operate the air conditioner with the front panel removed.**
- **Never clean air conditioner parts with flammable fluids. The fumes can create a fire hazard or explosion.**

### • FOR YOUR SAFETY •

**DO NOT STORE OR USE GASOLINE OR OTHER FLAMMABLE VAPORS AND LIQUIDS IN THE VICINITY OF THIS OR ANY OTHER APPLIANCE. THE FUMES CAN CREATE A FIRE HAZARD OR EXPLOSION.**

It is your responsibility to be sure your air conditioner:

- Is installed in a window or wall that will hold the weight, and is secured according to the Installation Instructions.
- Is connected only to the proper kind of outlet, with the correct electrical supply and grounding. (See "Electrical Requirements" on pages 3-7.)
- Is the correct size for the area you want to cool.
- Is used only for the job it was designed to do.
- Is not used by children or anyone unable to operate it properly.
- Is properly maintained.

Also, remove Energy Label and Buy Guide. Use a damp cloth to take off any glue residue. Do not use sharp instruments, flammable fluids or abrasive cleaners. These can damage the material.

**- SAVE THESE INSTRUCTIONS -**

# Electrical Requirements

Below are electrical plug variations, choose the one which matches the ampere rating of your unit. Your model's ampere rating is printed on the model and serial number label, attached to the unit, behind the front panel. (See diagram on page 2.)

**OBSERVE ALL LOCAL CODES AND ORDINANCES.**

**DO NOT USE AN EXTENSION CORD WITH THIS APPLIANCE.**

**DO NOT, UNDER ANY CIRCUMSTANCES, REMOVE THE POWER SUPPLY CORD GROUNDING PRONG.**

## ⚠ WARNING

### Electrical Shock and Fire Hazard

- Check with a qualified electrician if you are in doubt as to whether the appliance is properly grounded. Do not modify the power supply cord plug – if it will not fit the outlet, have a proper outlet installed by a qualified electrician. Improper connection of the equipment-grounding conductor can result in a risk of electrical shock.
- Do not use an extension cord with this appliance. Such use may result in fire, electrical shock or other personal injury.
- Do not have a fuse in the neutral or grounding circuit. This could result in a risk of electrical shock.

PLUG TYPE	ELECTRICAL REQUIREMENTS	SEE PAGE
	115 volt models with amperes up through 12.0	4
	230 and 230/208 volt models with amperes up through 12.0	5
	230 and 230/208 volt models with amperes up through 16.0	6
	230 and 230/208 volt models with amperes up through 24.0	7

## 115 volt models with amperes up through 12.0

### Receptacle wiring

Receptacle wiring should be a minimum of 14 gauge. Use copper wire only. It is the responsibility of the consumer to provide proper and adequate receptacle wiring, installed by a qualified electrician. Observe National Electrical Code and all local governing codes and ordinances.

### Electrical requirements

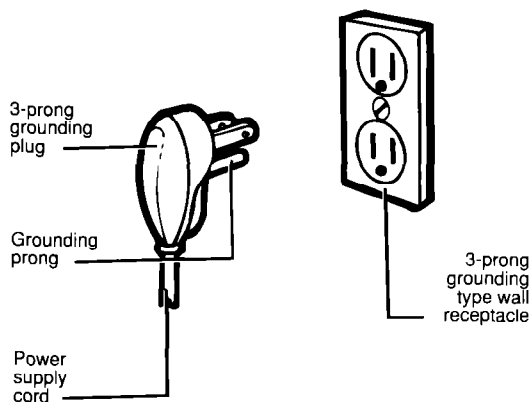
A 115 volt (103.5 min., 126.5 max.), 60 Hz, AC only, 15 ampere fused electrical supply is required (time delay fuse or time delay circuit breaker required). For models with serial plate amperes of 7.6 through 12, it is **required** that a separate circuit, serving only this appliance, be provided.

### Electrical connection

Electrical ground is required on this appliance.

#### Recommended grounding method:

For your personal safety, this appliance must be grounded. This air conditioner is equipped with a power supply cord having a 3-prong grounding prong. To minimize possible shock hazard, the cord must be plugged into a mating 3-prong grounding type wall receptacle, grounded in accordance with the National Electrical Code and local codes and ordinances. If a mating wall receptacle is not available, it is the responsibility of the customer to have a properly grounded 3-prong wall receptacle installed by a qualified electrician.



## 230 and 230/208 volt models with amperes up through 12.0

### Receptacle wiring

Receptacle wiring should be a minimum of 14 gauge. Use copper wire only. It is the responsibility of the consumer to provide proper and adequate receptacle wiring, installed by a qualified electrician. Observe National Electrical Code and all local governing codes and ordinances.

### Electrical requirements

A 230 volt (207 min., 253 max.), 60 Hz, AC only, 15 ampere fused electrical supply is required (time delay fuse or time delay circuit breaker required). It is **required** that a separate circuit, serving only this appliance, be provided.

OR

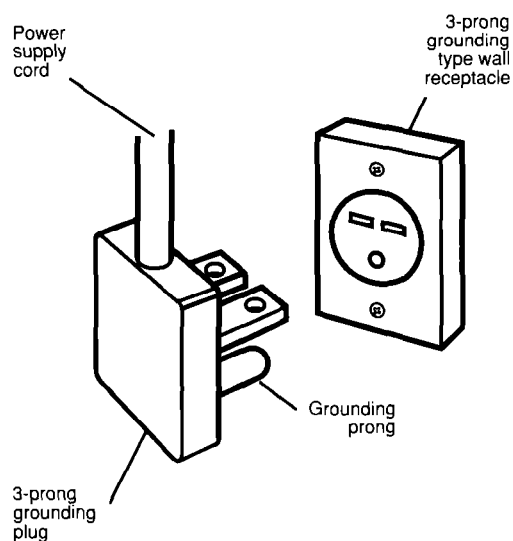
A 230/208 volt (197.6 min., 253 max.), 60 Hz, AC only, 15 ampere fused electrical supply is required (time delay fuse or time delay circuit breaker required). It is **required** that a separate circuit, serving only this appliance, be provided.

### Electrical connection

Electrical ground is required on this appliance.

#### Recommended grounding method:

For your personal safety, this appliance must be grounded. This air conditioner is equipped with a power supply cord having a 3-prong grounding prong. To minimize possible shock hazard, the cord must be plugged into a mating 3-prong grounding type wall receptacle, grounded in accordance with the National Electrical Code and local codes and ordinances. If a mating wall receptacle is not available, it is the responsibility of the customer to have a properly grounded 3-prong wall receptacle installed by a qualified electrician.



## 230 and 230/208 volt models with amperes up through 16.0

### Receptacle wiring

Receptacle wiring should be a minimum of 12 gauge. Use copper wire only. It is the responsibility of the consumer to provide proper and adequate receptacle wiring, installed by a qualified electrician. Observe National Electrical Code and all local governing codes and ordinances.

### Electrical requirements

A 230 volt (207 min., 253 max.), 60 Hz, AC only, 20 ampere fused electrical supply is required (time delay fuse or time delay circuit breaker required). It is **required** that a separate circuit, serving only this appliance, be provided.

OR

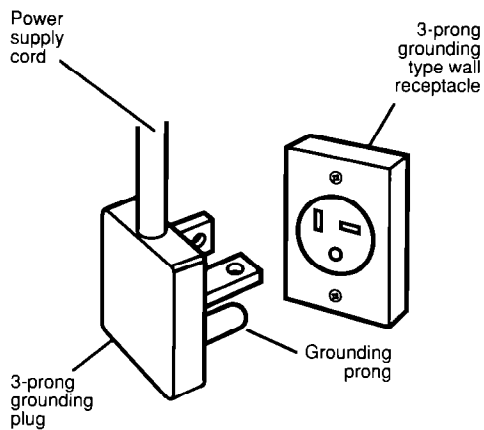
A 230/208 volt (197.6 min., 253 max.), 60 Hz, AC only, 20 ampere fused electrical supply is required (time delay fuse or time delay circuit breaker required). It is **required** that a separate circuit, serving only this appliance, be provided.

### Electrical connection

Electrical ground is required on this appliance.

#### Recommended grounding method:

For your personal safety, this appliance must be grounded. This air conditioner is equipped with a power supply cord having a 3-prong grounding prong. To minimize possible shock hazard, the cord must be plugged into a mating 3-prong grounding type wall receptacle, grounded in accordance with the National Electrical Code and local codes and ordinances. If a mating wall receptacle is not available, it is the responsibility of the customer to have a properly grounded 3-prong wall receptacle installed by a qualified electrician.



## 230 and 230/208 volt models with amperes up through 24.0

### Receptacle wiring

Receptacle wiring should be a minimum of 10 gauge. Use copper wire only. It is the responsibility of the consumer to provide proper and adequate receptacle wiring, installed by a qualified electrician. Observe National Electrical Code and all local governing codes and ordinances.

### Electrical requirements

A 230 volt (207 min., 253 max.), 60 Hz, AC only, 30 ampere (cartridge type) fused electrical supply is required (time delay fuse or time delay circuit breaker required). It is **required** that a separate circuit, serving only this appliance, be provided.

OR

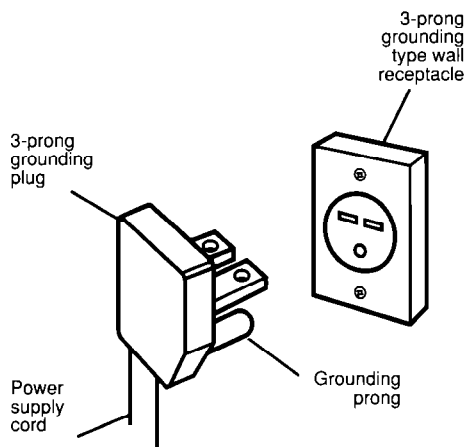
A 230/208 volt (197.6 min., 253 max.), 60 Hz, AC only, 30 ampere (cartridge type) fused electrical supply is required (time delay fuse or time delay circuit breaker required). It is **required** that a separate circuit, serving only this appliance, be provided.

### Electrical connection:

Electrical ground is required on this appliance.

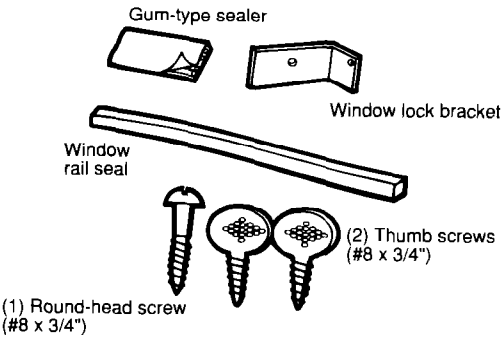
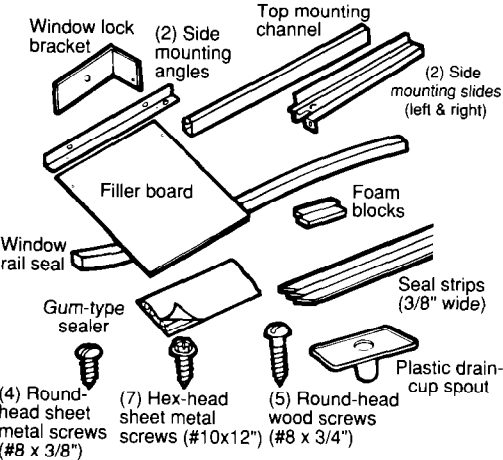
### Recommended grounding method

For your personal safety, this appliance must be grounded. This air conditioner is equipped with a power supply cord having a 3-prong grounding prong. To minimize possible shock hazard, the cord must be plugged into a mating 3-prong grounding type wall receptacle, grounded in accordance with the National Electrical Code and local codes and ordinances. If a mating wall receptacle is not available, it is the responsibility of the customer to have a properly grounded 3-prong wall receptacle installed by a qualified electrician.



# Installation Instructions

Unpack the accessory parts that came with your air conditioner to determine which installation instructions you should follow. Use the chart below as a guide.

IF YOU HAVE THESE PARTS	FOLLOW THESE INSTRUCTIONS
 <p>(1) Round-head screw (#8 x 3/4")</p> <p>(2) Thumb screws (#8 x 3/4")</p>	<p>"Window installation – A" on page 9.</p>
 <p>(4) Round-head sheet metal screws (#8 x 3/8")</p> <p>(7) Hex-head sheet metal screws (#10x12")</p> <p>(5) Round-head wood screws (#8 x 3/4")</p>	<p>"Window installation – B" on page 12.</p>
<p>– OR –</p> <p>For through-the-wall installation</p>	<p>"Through-the-wall installation" on page 17</p>



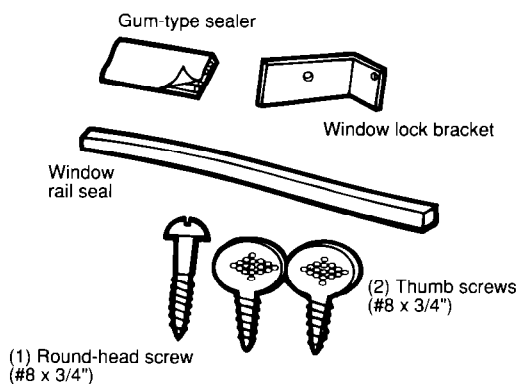
## Window installation - A

To help avoid any installation problems and to help ensure trouble-free performance of your new air conditioner, read these installation instructions, as well as your operating instructions and electrical requirements **before** installing your unit.

### **⚠ WARNING**

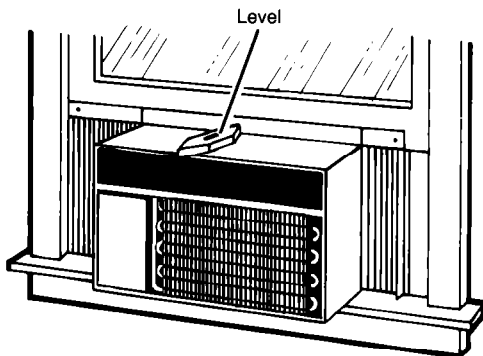
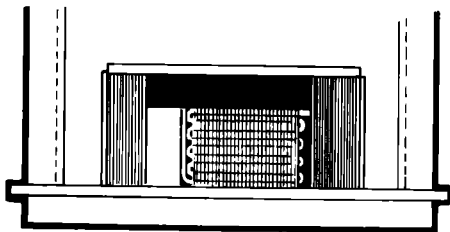
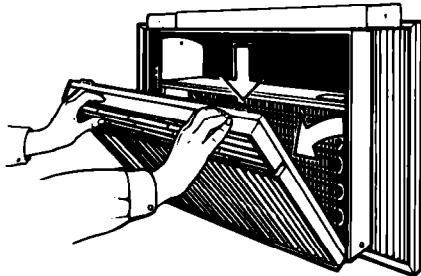
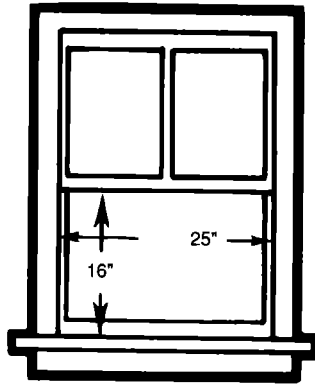
#### **Personal Injury and Product Damage Hazard**

- **Because this air conditioner weighs about 75 to 125 pounds, it is recommended that you have someone help you install your new unit and that you both use proper lifting techniques.**
  - **Inspect the condition of the window where the air conditioner will be installed. Be sure it will support the weight of the unit.**
  - **This appliance must be installed according to all applicable codes and ordinances.**
  - **Handle the air conditioner with care. Watch out for the sharp metal fins on the front and rear coils.**
  - **Be sure your air conditioner does not fall during installation.**
  - **Do not use the water collected in unit for drinking purposes. It is not sanitary.**
- Failure to follow the above precautions could result in personal injury or product damage.**



1. **Unpack accessory parts** before installing your air conditioner. Make sure you have all the necessary parts. A normal installation can be made with a screwdriver, small level, pocket knife, tape measure, a drill and 3/32" drill bit.

**Installation Instructions  
Continued**



- 2. Pick the right window.** First, decide what room(s) you want to cool. Then choose a window that will allow the air-conditioned air to flow freely and directly into the room(s) you want cooled. Remember, it's difficult to move air around corners. Choose a window that is also near an electrical outlet. (See "Electrical Requirements" on pages 3-7 for receptacle and wiring needs.) **Do not use an extension cord.**

The window in which you place your air conditioner should have an opening of at least 25 inches in width and at least 16 inches in height. Standard installation parts are supplied for double-hung sash windows up to 38 inches in width.

- 3. Remove front panel** by pushing top of panel down and out. This protects the panel from damage and makes the air conditioner easier to handle during installation.

- 4. Center air conditioner in window.** Rear of unit must be raised slightly to position lower rail of air conditioner behind and up against back side of window sill. Firmly lower the window sash behind the top mounting channel.

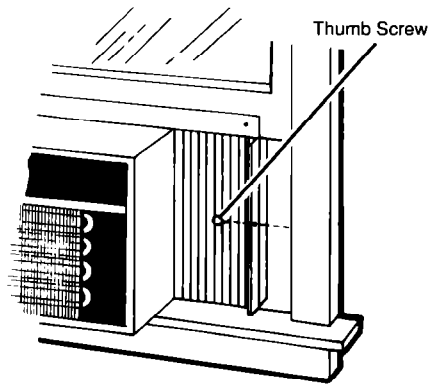
**NOTE:** Do not block air entry into the side louvers of the cabinet.

**⚠ CAUTION**

**Be sure the cabinet does not fall out of the window during installation.**

- 5. Leveling air conditioner** is not required in a normal installation. The proper slope is designed into the unit. However, be sure you have approximately 1/2 bubble (1/4") downward tilt to the outside for proper water drainage. If necessary, reposition or shim cabinet to provide the proper tilt or side-to-side leveling.

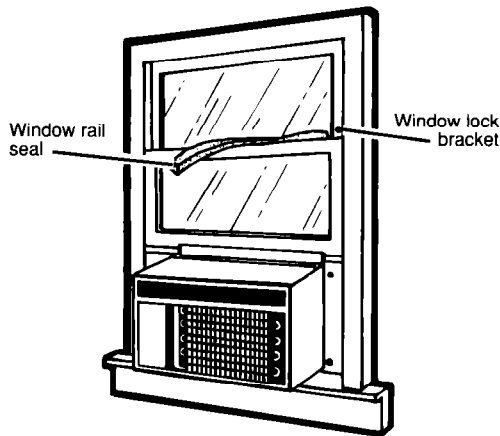
**Installation Instructions**  
**Continued**



6. **Pull out sliding curtains** while holding air conditioner in window. Extend curtains on both sides until they reach the insides of the window channels. (Pulling curtains slightly inward allows for easier sliding.)

Mark and drill a pilot hole ( $3/32$ " ) in each curtain handle before installing thumb screws.

**NOTE:** If space is a problem, use the pre-drilled holes in the top flanges of the curtains for the thumb screws.



7. **Install window rail seal and window lock bracket.** Press foam window rail seal into place and cut to proper length. Mark and drill a pilot hole ( $3/32$ " ), then install window lock bracket using the round-head screw. Seal small openings around installation with gum-type sealer.

**CAUTION**

**Keep window lock bracket installed at all times to ensure that unit will not fall out of the window. Remove window lock bracket only when you wish to remove air conditioner from window.**

8. **Attach front panel** by placing bottom edge on clips and pushing top down, then up and in.

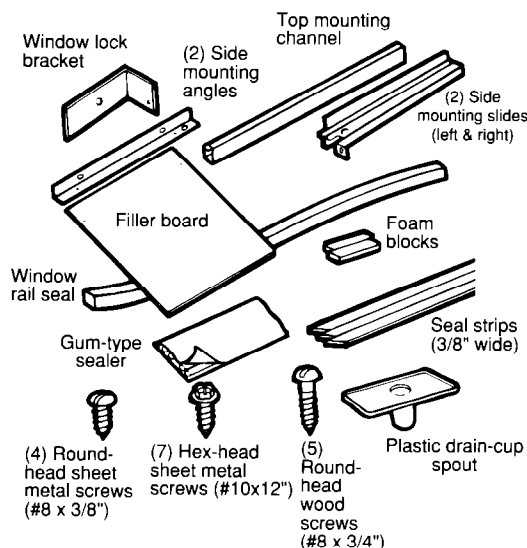
## Window installation - B

To help avoid any installation problems and to help ensure trouble-free performance of your new air conditioner, read these installation instructions, as well as your operating instructions and electrical requirements **before** installing your unit.

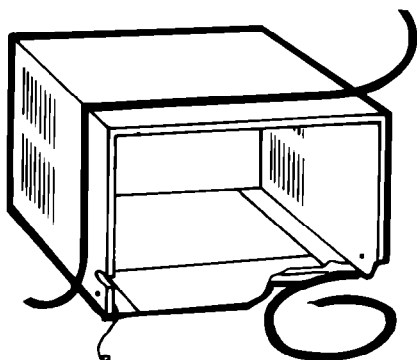
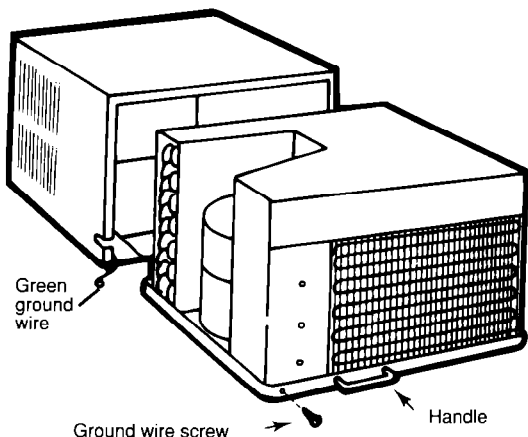
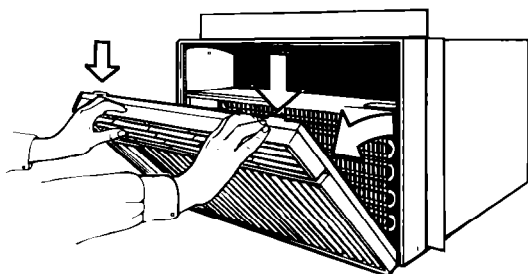
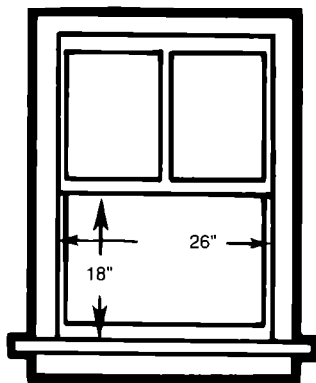
### **⚠ WARNING**

#### Personal Injury and Product Damage Hazard

- Because this air conditioner weighs about 125 to 200 pounds, it is recommended that you have someone help you install your new unit and that you both use proper lifting techniques.
  - Inspect the condition of the window where the air conditioner will be installed. Be sure it will support the weight of the unit.
  - This appliance must be installed according to all applicable codes and ordinances.
  - Handle the air conditioner with care. Watch out for the sharp metal fins on the front and rear coils.
  - Be sure your air conditioner does not fall during installation.
  - Do not use the water collected in unit for drinking purposes. It is not sanitary.
- Failure to follow the above precautions could result in personal injury or product damage.



1. **Unpack accessory parts** before installing your air conditioner. Make sure you have all the necessary parts. A normal installation can be made with a screwdriver, saw, small level, pocket knife, tape measure, 7/16" socket wrench, drill and 3/32" drill bit.



- 2. Pick the right window.** First, decide what room(s) you want to cool. Then choose a window that will allow the air-conditioned air to flow freely and directly into the room(s) you want cooled. Remember, it's difficult to move air around corners. Choose a window that is also near an electrical outlet. (See "Electrical Requirements" on pages 3-7 for receptacle and wiring needs.) **Do not use an extension cord.**

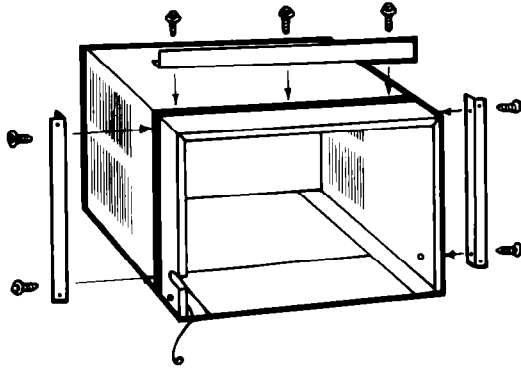
The window in which you place your air conditioner should have an opening of at least 26 inches in width and at least 18 inches in height. Standard installation parts are supplied for double-hung sash windows up to 40 inches in width.

- 3. Remove front panel** by pushing top of panel down and out. This protects the panel from damage and makes the air conditioner easier to handle during installation.

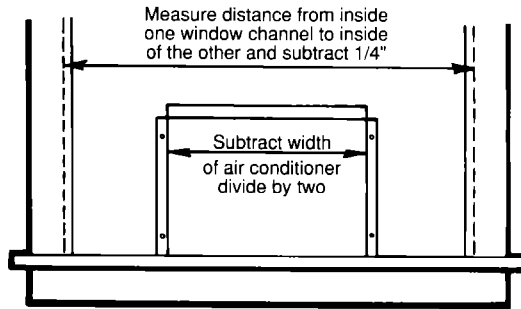
- 4. Slide unit out of cabinet.** First, disconnect the green ground wire at the left-front corner of base of unit by removing retaining screw (save screw for reuse in step 14). Now slide unit out of cabinet by pulling out on handle at base of unit.

- 5. Attach seal strips to cabinet.** Place 3/8"-wide self-adhesive seal strip on window side of bottom flange. Now, starting at the lower corner of the cabinet, apply 3/8"-wide seal strips over the center line of the pre-drilled holes for one of the side mounting angles, over the center line of pre-drilled holes for the top mounting channel, and over the center line of pre-drilled holes for the other side mounting angle.

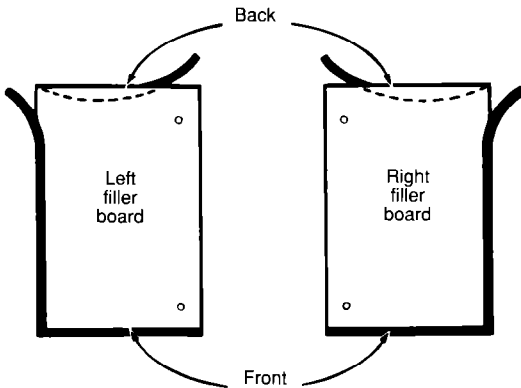
**Installation Instructions  
Continued**



- 6. Attach side mounting angles** to the sides of the cabinet by using 4 hex-head sheet metal screws. Insert bottom screws first. Be sure flange of each side mounting angle faces inside. Now attach top mounting angle to cabinet by using 3 hex-head sheet metal screws. Again, be sure tallest flange is facing inside.

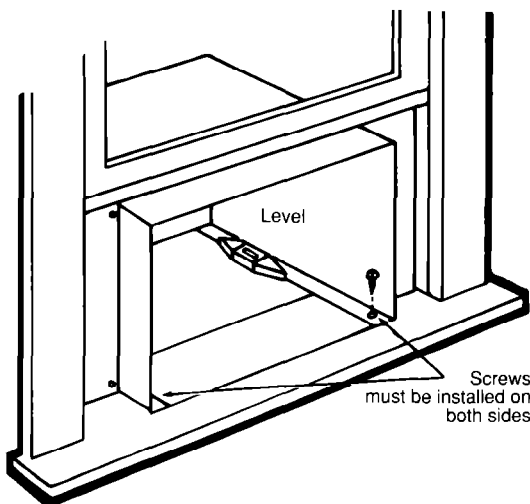
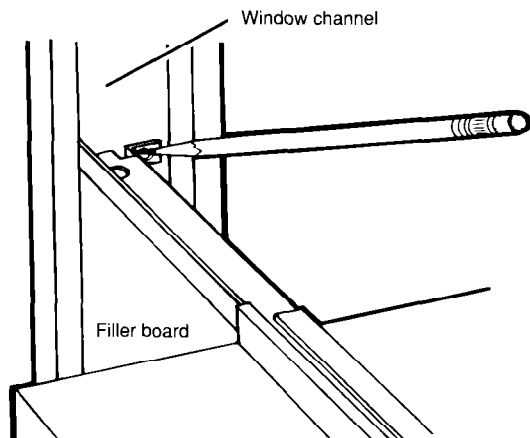
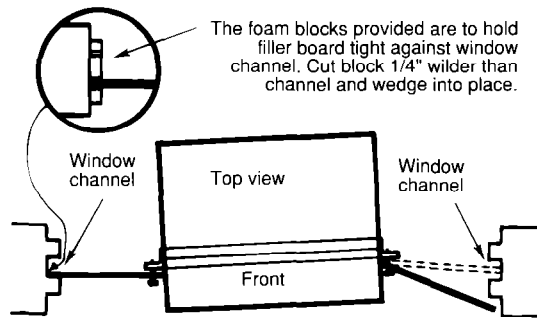


- 7. Measure and cut filler board** to proper sizes. First, measure the distance from inside one window channel to the inside of the other channel and subtract 1/4". Now subtract the width of the air conditioner and divide by 2. This will give you the width to cut each filler board. Be sure to cut the filler board across the mid-section of its longest measurement. Because the filler boards will be equal in width, they will automatically center your air conditioner in the window.



- 8. Apply seal strips and attach filler boards.** Determine which will be your left and right filler boards. The holes on each board should align with the holes in the side mounting angles. Each filler board should also extend about 1/2" above the top edge of the air conditioner cabinet. Now apply 3/8"-wide seal strips on the room side of each filler board along the bottom and window channel edges. Now attach the filler boards to the side mounting angles with 4 round-headed sheet metal screws. Tighten the screws only loosely, so the filler boards can be moved back and forth.
- 9. Insert side mounting slides** all the way into the top mounting channel.

## Installation Instructions Continued



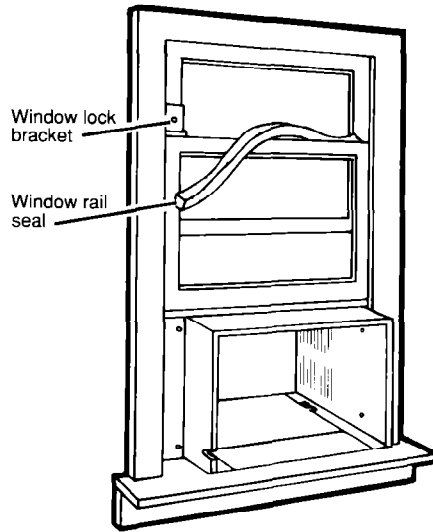
- 10. Place cabinet in window** by turning cabinet to one side to get one filler board into window channel. Now maneuver other filler board into window channel. Reaching through window opening, push filler boards from outside as far toward you as they will go. Extend the side mounting slides outward into the window channels on both sides. Pull the cabinet toward you to position the side mounting slides as far forward in the window channels as possible. Now, mark and drill a pilot hole (3/32") in each side mounting slide for the wood screws. The screws are used to secure the side mounting slides into the window channels. Be sure to use the foam blocks that are provided.

### ⚠ CAUTION

Be sure the cabinet does not fall out of window.

- 11. Lower window and level air conditioner.** Lower the window firmly behind window gasket. Leveling the cabinet is not required in a normal installation since the proper slope is designed into the product. However, be sure you have approximately a 1/2 bubble (1/4") downward tilt to the outside for proper water drainage. If necessary, reposition or shim cabinet to provide the proper tilt or side-to-side leveling. Now, tighten all 4 filler board screws. Be sure cabinet bottom flange is against rear of window sill for proper seal. Finally, make 2 pilot holes (3/32") into the window sill, using the holes in the cabinet as a guide. Use 2 wood screws to secure the bottom of the cabinet to the window sill.

## Installation Instructions Continued



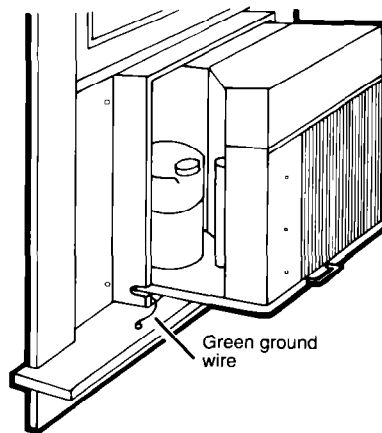
12. **Install window rail seal and window lock bracket and drain cup.** Press foam rail seal into place and cut to proper length. Make a mark and drill a pilot hole ( $3/32$ " ), then install lock bracket using a wood screw. Seal small openings around installation with gum-type sealer.

### ⚠ CAUTION

**Window lock bracket must be installed at all times to be sure air conditioner does not fall out of window. Remove only when you wish to remove air conditioner from window.**

13. **Install plastic drain-cup spout** into hole at rear of cabinet. Spout should be facing downward through hole.

**OPTIONAL:** During high humidity, condensate may drip from the outside of your air conditioner onto the ground below. If your air conditioner is installed where this is undesirable, you can direct the water to a more suitable spot by simply attaching a  $5/8$ " inside-diameter, thin walled hose to the drain spout at rear of cabinet.



14. **Insert air conditioner into cabinet.** Slide unit all the way into the cabinet. **Do not push against sharp fins and plastic parts.** Attach green ground wire to the left-front corner of unit base by using ground wire screw.

### ⚠ WARNING

**Electrical Shock Hazard**  
**Keep wire connected whenever air conditioner is in cabinet. Failure to do so could result in electrical shock during operation and maintenance.**

15. **Attach front panel** by placing bottom edge on clips and pushing top down, then in and up.



## Through-the-wall installation

It is the responsibility and obligation of the customer to have this product installed by a qualified technician familiar with through-the-wall installation.

OR

If you choose to install the air conditioner yourself, read all installation instructions, as well as the electrical requirements and operating instructions **before** installing your unit. This will help to avoid any installation problems and will help ensure trouble-free performance of your new air conditioner.

### **⚠ WARNING**

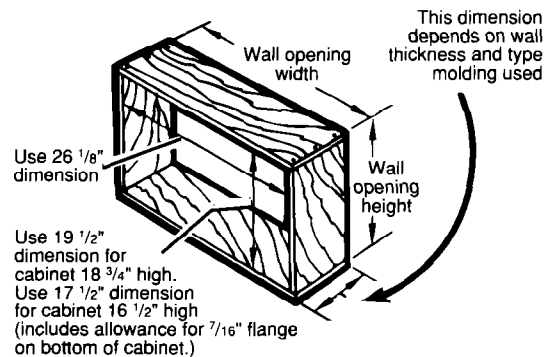
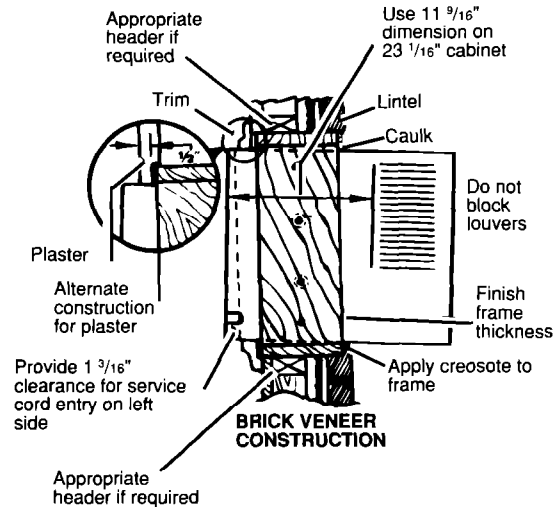
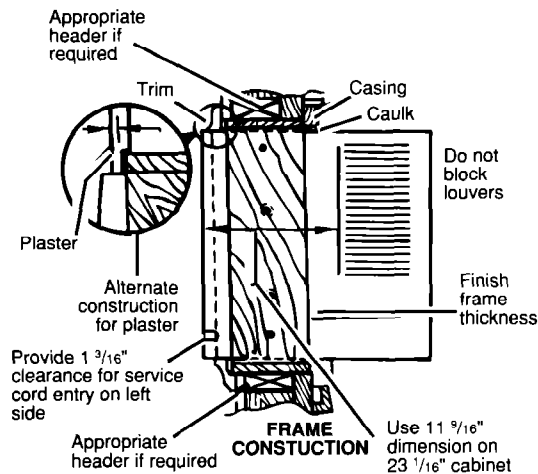
#### **Personal Injury and Product Damage Hazard**

- **Because this air conditioner weighs about 125 to 200 pounds, it is recommended that you have someone help you install your new unit and that you both use proper lifting techniques.**
- **Inspect the condition of the wall where the air conditioner will be installed. Be sure it will support the weight of the unit.**
- **This appliance must be installed according to all applicable codes and ordinances.**
- **Handle the air conditioner with care. Watch out for the sharp metal fins on the front and rear coils.**
- **Be sure your air conditioner does not fall during installation.**
- **Do not install air conditioner where plastic cabinet front will be exposed to a heat source that raises the surface temperature above 120°F.**
- **Do not use the water collected in unit for drinking purposes. It is not sanitary.**

**Failure to follow the above precautions could result in personal injury or product damage.**

1. **Pick the right wall.** First, decide what room(s) you want to cool. Then choose a wall that will allow the air-conditioned air to flow freely and directly into the room(s) you want cooled. Remember, it's difficult to move air around corners. Choose a location that is also near an electrical outlet. (See "Electrical Requirements" on pages 3-7 for receptacle and wiring needs.) **Do not use an extension cord.**

**Installation Instructions  
Continued**



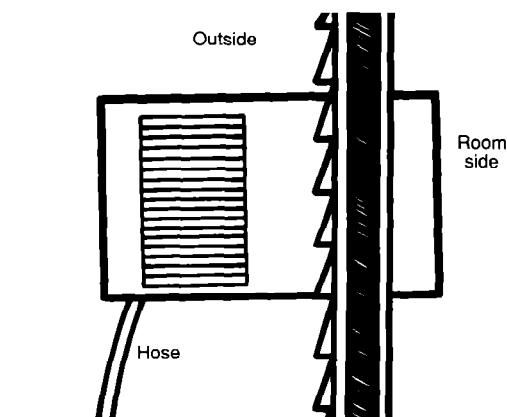
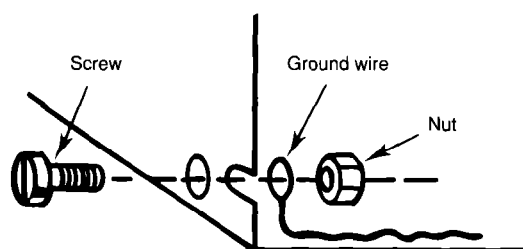
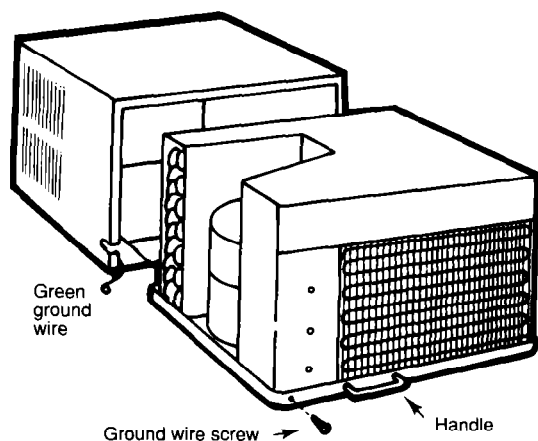
**2. Choose the type of decorative molding** you want to use around the room side of the cabinet. Your choice affects the finish frame alignment with the inside wall. When using a wood, metal or plastic molding, the finish frame should almost line up with the inside wall. If the wall is plastered to the cabinet and no molding is used, the finish frame must be set into the wall by 1/2". (See top figure at left for frame construction. See middle figure at left for brick veneer construction.) Cut through two studs for support.

**3. Provide an opening through the wall** for a finish frame. Observe all local governing codes and ordinances. For wall opening dimensions, use those shown at left and add wood frame thickness (use 1" lumber or heavier). When determining finish frame thickness, be sure you do not cover side cabinet louvers. A 4" **minimum** clearance between side cabinet louvers and adjoining wall allows for proper airflow into air conditioner.

**4. Construct finish frame.** Apply creosote (or an equivalent) to the outside exposed surface.

**5. Install finish frame** in the wall opening. Square and level frame and nail it securely to the studs.

**6. Remove air conditioner front panel** by pushing top down and out. This protects the panel from damage and makes the air conditioner easier to handle during installation.



7. **Slide unit out of cabinet.** First, disconnect the green ground wire at the left-front corner of base unit by removing retaining screw (save for reuse in step 12). Now slide unit out of cabinet by pulling on handle at base of unit.
8. **Insert exterior cabinet through wall opening.** Leave 1/2" minimum overhang into the room at top of cabinet, after allowing for trim. For proper outward water drainage, shim or re-position cabinet to provide the proper downward tilt to the outside (1/2 bubble or 1") and side-to-side leveling.
9. **Fill all spaces** between cabinet and finish frame with insulation.
10. **Drill holes** in the cabinet and attach it securely to finish frame. Use 10 #10 x 1" wood screws (4 screws for each side and 2 screws for the top – screws are not included). Do not overtighten screws or cabinet will distort and provide a poor air seal between cabinet and unit.
11. **Insert air conditioner into cabinet.** Do not push against sharp fins and plastic parts.
12. **Attach green ground wire** to the left-front corner of unit base by using retainer screw.

### **⚠ WARNING**

#### **Electrical Shock Hazard**

**Keep wire connected whenever air conditioner is in cabinet. Failure to do so could result in electrical shock during operation and maintenance.**

13. **Attach front panel** by placing bottom edge on clips and pushing top down, then in and up.
14. **Caulk all** outside wall openings around cabinet.
15. **If needed,** install molding around room side of cabinet.
16. **OPTIONAL:** During high humidity, condensate may drip from the outside of your air conditioner onto the ground below. If your air conditioner is installed where this is undesirable, you can direct the water to a more suitable spot by simply attaching a 5/8" inside-diameter, thin walled hose to the drain spout at rear of cabinet (see figure at left). On models without plastic drain-cup spout, use flashing as needed to guide water.

**NOTE:** Now refer to "Electrical Requirements" on pages 3-7 and "Starting your air conditioner" on page 20.

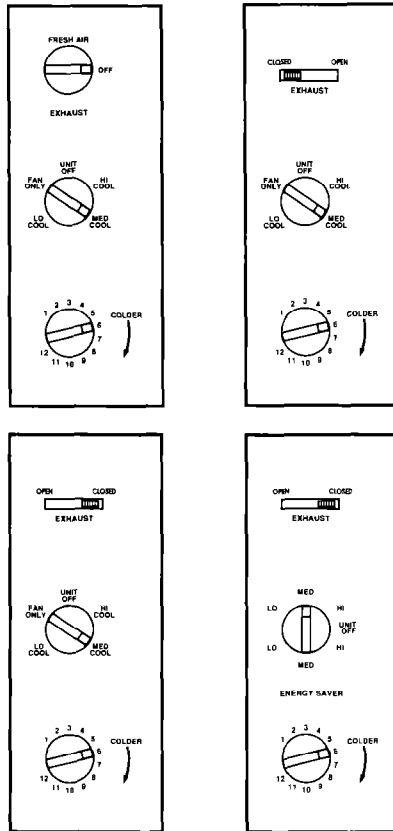
# Operating Instructions

## Starting your air conditioner

### ⚠ WARNING

#### Electrical Shock Hazard

- Plug unit only into grounded electrical outlet.
  - Do not use an extension cord.
  - Do not operate unit with front removed.
- Failure to follow the above precautions could result in electrical shock or personal injury.

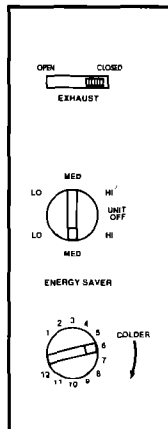


1. Set Exhaust Control to CLOSED (OFF) for maximum cooling.
2. Set System Control to the desired setting.  
**LO COOL (LO)** ..... for sleeping comfort  
**MED COOL (MED)\*** ..... for normal cooling  
**HI COOL (HI)** ..... for maximum cooling  
**FAN ONLY\*** ... for circulating room air when no cooling is desired

\*On some models

3. Turn the Thermostat Control to number 6 (mid-setting). You can adjust the air conditioner's cooling performance by resetting the Thermostat Control to a higher number for maximum cooling. Lower the number setting for less cooling. You will need to experiment to find the setting which suits you best.

**NOTE:** If you turn your air conditioner off or if the compressor turns off when lowering the Thermostat Control, wait at least 3 minutes before turning it back on or you may blow a fuse or trip a circuit breaker.



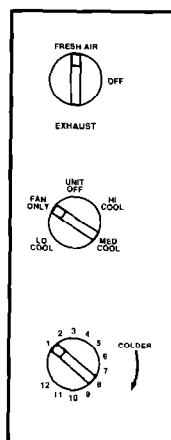
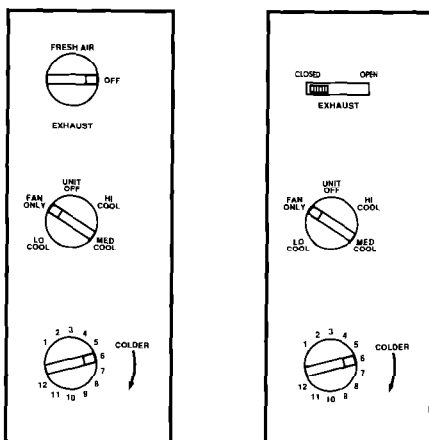
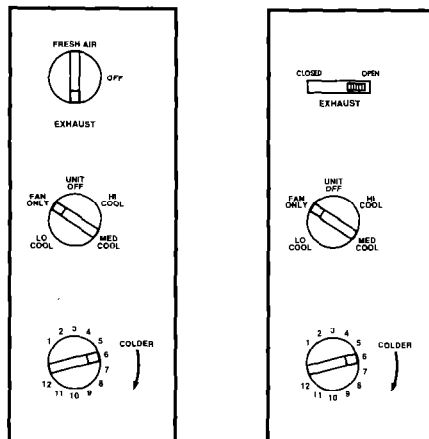
## The ENERGY SAVER settings (on some models)

The ENERGY SAVER settings are the three settings to the bottom of the System Control (HI, MED and LO). These settings save energy. The fan will cycle on and off as the Thermostat Control turns the compressor on and off. This saves the cost of electrical energy that would be used to run the fan continuously.

It is normal for the fan to turn on and off in the ENERGY SAVER settings. The amount of time the unit will be off depends on the room temperature and Thermostat Control setting.

## The exhaust control

The Exhaust Control setting draws stale or smoky air from the room. On some models, a FRESH AIR setting draws fresh air into the room from outside.



### 1. To exhaust room air:

- Set Exhaust Control to OPEN (EXHAUST).
- For cooling, set System Control to desired setting.
- If no cooling is desired, set System Control to FAN ONLY (on some models).

If there is no FAN ONLY setting, select a fan speed setting and set Thermostat Control to 1 (lowest setting). Be sure to reset Thermostat Control when cooling action is desired.

### 2. To circulate room air:

- Set Exhaust Control to CLOSED (OFF).
- For cooling, set System Control to desired setting.
- If no cooling is desired, set System Control to FAN ONLY (on some models).

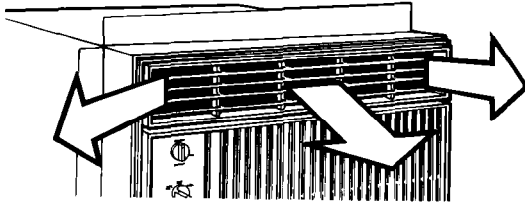
If there is no FAN ONLY setting, select a fan speed setting and set Thermostat Control to 1 (lowest setting). Be sure to reset Thermostat Control when cooling action is desired.

### 3. To bring in outside air:

(when FRESH AIR setting is provided)

- Set Exhaust Control to FRESH AIR.
- For cooling, set System Control to desired setting.
- If no cooling is desired, set System Control to FAN ONLY and set Thermostat Control to 1 (lowest setting).

**NOTE:** For maximum performance, the Exhaust Control must be in the CLOSED (OFF) position when cooling or room air circulation is desired.



## Changing air direction

The louvers in the grille area at the top of the air conditioner control the directions of the conditioned air.

- Move tabs at bottom of the grille in the direction you want the air to go (right, left or straight ahead).
- On most models, the louvers can only be adjusted left or right. The front set is fixed and directed upward.
- On some models, air flow can be directed up or down. Move tab in the center louver to direct air.
- On some models, all louvers are fixed. The louvers cannot be adjusted.

## Cleaning Instructions

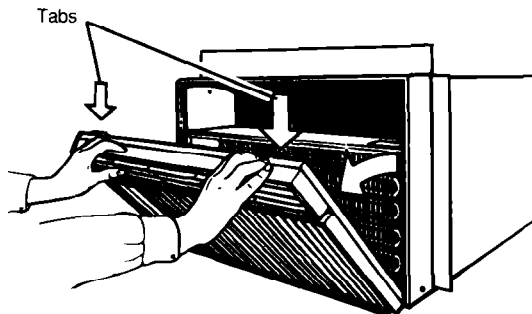
Proper use and care of your air conditioner will help ensure longer life of the unit and lower operating costs. Follow these instructions carefully. Call your local servicing dealer for an annual checkup.

### Cleaning front panel and filter

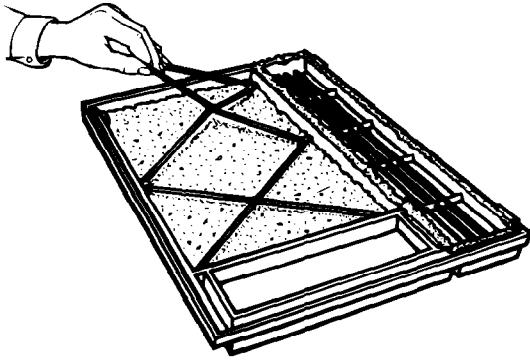
#### **⚠ WARNING**

##### **Electrical Shock, Personal Injury and Product Damage Hazard**

- **Unplug power cord from receptacle before cleaning unit. Failure to do so could result in electrical shock or personal injury.**
- **Handle the air conditioner with care. The metal fins on the coils are sharp. Failure to do so could result in personal injury.**
- **Do not use cleaning fluids, solvents, abrasive cleaners, or strong detergents. They may damage the parts.**



1. Unplug power cord.
2. Remove the front panel from unit for cleaning. Press down at top of front panel to release it from top of cabinet.
3. Pull top of front panel toward you.
4. Lift up and away from bottom spring clips.



5. Remove filter from front panel by removing elastic band which holds it in place.
6. Clean filter by using a vacuum cleaner or, if very dirty, wash filter with warm water and a mild detergent. Air dry thoroughly before replacing. **Do not use a hot air dryer on filter.**
7. Clean front panel using a soft cloth with warm water and a mild detergent. Rinse and dry.
8. Replace filter and hold it in place with elastic band.
9. Wipe control panel clean with a soft dry cloth.
10. Replace front panel. Locate bottom of panel on the spring clips. Press down on top edge of front panel and push front toward unit to secure upper tabs.
11. Reconnect power supply.

## Maintenance Instructions

### Annual maintenance

Your air conditioner needs annual maintenance to help ensure steady, top performance throughout the year.

Call the service company recommended by your dealer to:

- Inspect and clean the coils and condensate water passages.
- Check fan and fan motor.

The compressor is sealed and needs no oiling. Expense of annual inspection is customer's responsibility.

OR

If you are familiar with electrical appliances, you can do the cleaning and maintenance yourself. If you choose to do so, follow the steps on page 24.

**⚠ WARNING**

**Electrical Shock and Personal Injury  
Hazard**

- **Unplug power cord from receptacle before performing any maintenance. Be sure no liquid gets into the motor, electrical control box or compressor electrical terminals.**
  - **Because your air conditioner weighs from 75 to 200 pounds, it is recommended that you have someone help you when you remove and re-install your unit and that you both use proper lifting techniques.**
  - **Handle the air conditioner with care. Watch out for the sharp metal fins on the front and rear condenser coils.**
  - **Do not use the collected water for drinking purposes. It is not sanitary.**
- Failure to follow the above precautions could result in electrical shock or personal injury.**

1. Unplug power cord.
2. Remove front panel. (See page 22 for instructions.)
3. Pull control knobs straight off. Remove the control plate.
4. Remove the green ground wire. It is attached with a screw located on the bottom left side, under the control plate. (Save the screw to reattach wire.)
5. Pull out handle and slide air conditioner out of cabinet.  
**NOTE:** The air conditioner is heavy and should be removed by at least two people.
6. Wrap the motor, electrical control box and compressor terminal box in plastic film and make sure no water or other liquid gets inside any of these parts. It could damage the insulation and cause serious mechanical problems.
7. Carefully clean and hose out the base, condenser coils and condensate parts. Clean at least once a year — or more often if the condenser coil and pan collects dirt, sand, leaves, insects or algae. Also, clean if you detect an odor coming from the air conditioner. (A good time to oil the motor is when you already have the cabinet open. See "Oiling the fan motor" on page 25.)
8. Remove plastic film from motor and electrical parts.
9. Replace unit in cabinet.
10. Reattach ground wire. Replace control plate and knobs.
11. Replace front panel.
12. Reconnect power supply.

**NOTE:** It is a good idea to wait 24 hours before starting the unit again. This allows time for all areas to dry out. The water from rainfall or from normal operation does not harm these components.

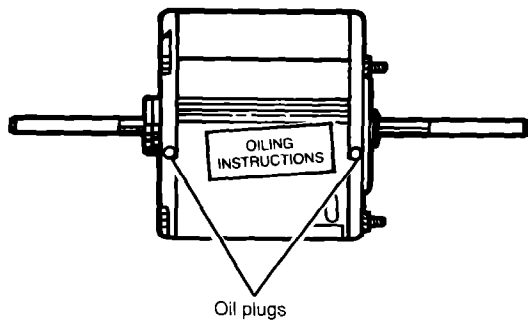


## Oiling the fan motor

### **⚠ WARNING**

#### **Electrical Shock Hazard**

**Unplug power cord from receptacle before oiling the fan motor. Failure to do so could result in electrical shock.**



1. Unplug power cord.
2. Remove unit from cabinet. (Follow steps under "Annual maintenance" on page 24.)
3. Oil the fan motor per instructions on the motor. To add oil, remove the oil hole plug at each end of the motor. Oil with SAE #20 non-detergent oil.
4. Replace the plugs to keep dirt from motor bearings.
5. Replace unit in cabinet.
6. Reconnect power supply.

### **Energy saving tips**

- Improve home insulation. Seal doors, windows, and close fireplace flue.
- Close blinds or drapes on sunny side of house. Add window awnings.
- Keep air filter clean. Do not block air flow with drapes or furniture.
- Ventilate attic (high temperature levels add to normal cooling load).
- Try not to use heat producing appliances during the hottest part of the day. Turn lights, radios, televisions and other appliances off when not needed.
- Keep heat registers and cool air returns closed or blocked off so cooled air won't escape.
- Use a vent fan in cooking, laundry or bathing areas to pull out heat and moisture near its source.





# If You Need Service Or Assistance

## Before you call for service...

If you are having an operating problem, check the chart to see what the cause might be before you call for assistance.

PROBLEM	CHECK IF	WHAT TO DO
<b>Unit won't run.</b>	<ul style="list-style-type: none"> <li>• Power cord is plugged into a live circuit with proper voltage.</li> <li>• Fuse has blown or circuit breaker has tripped. Also, check if a time-delay fuse has been used.</li> <li>• System Control is set to OFF.</li> <li>• Local power has failed</li> </ul>	<ul style="list-style-type: none"> <li>• Firmly plug power cord into electrical outlet. Check circuit voltage at fuse/circuit breaker box.</li> <li>• Replace fuse with a time-delay fuse of the correct capacity. Reset circuit breaker.</li> <li>• Set System Control to another setting.</li> <li>• Wait for power to be restored.</li> </ul>
<b>Unit blows fuses or trips circuit breaker.</b>	<ul style="list-style-type: none"> <li>• Time-delay fuse being used is of correct capacity.</li> <li>• An extension cord is being used.</li> <li>• Cooling circuit was turned off and on again quickly.</li> </ul>	<ul style="list-style-type: none"> <li>• Replace fuse with a time-delay fuse of the correct capacity.</li> <li>• Do not use an extension cord with this or any other appliance.</li> <li>• Wait at least 3 minutes after turning cooling circuit off before trying to restart unit.</li> </ul>
<b>Unit turns on and off, or does not cool room.</b>	<ul style="list-style-type: none"> <li>• Filter is dirty.</li> <li>• Evaporator coils (inside) and condenser coils (outside) are dirty.</li> <li>• There is excessive heat or moisture in room.</li> <li>• Fan speed is too low.</li> <li>• Thermostat setting is too low.</li> </ul>	<ul style="list-style-type: none"> <li>• Clean filter. (See page 22.)</li> <li>• Clean coils. (See page 24.)</li> <li>• Use exhaust fans to reduce room heat, or set Exhaust Control (on some models) to CLOSED to reduce moisture.</li> <li>• Set System Control to a higher setting.</li> <li>• Set Thermostat Control to a higher number.</li> </ul>

## Normal operating sounds...

When your room air conditioner is **operating normally**, you will hear sounds such as:

- Droplets of water hitting the condenser, causing a "pinging" or "clicking" sound. Water droplets help to cool the condenser.
- Air movement from the fan, especially on high fan speed settings.
- Clicks from the cooling cycle.

Sounds also may be caused by house construction – such as vibration of the unit due to wall construction or unsteady window mounting area.

## If you need service...

Call your dealer or the service company recommended by your dealer.