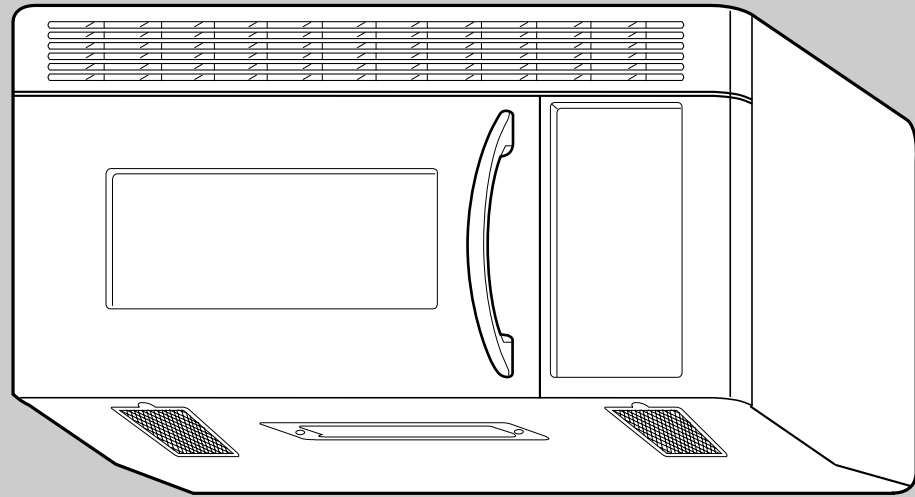


Installation Instructions



Part No. 3828W5U0143/8183895(Rev.1)

IMPORTANT:
Read and save
these instructions.

IMPORTANT:

Installer: Leave Installation Instructions with homeowner.

Homeowner: Keep Installation Instructions for future reference.

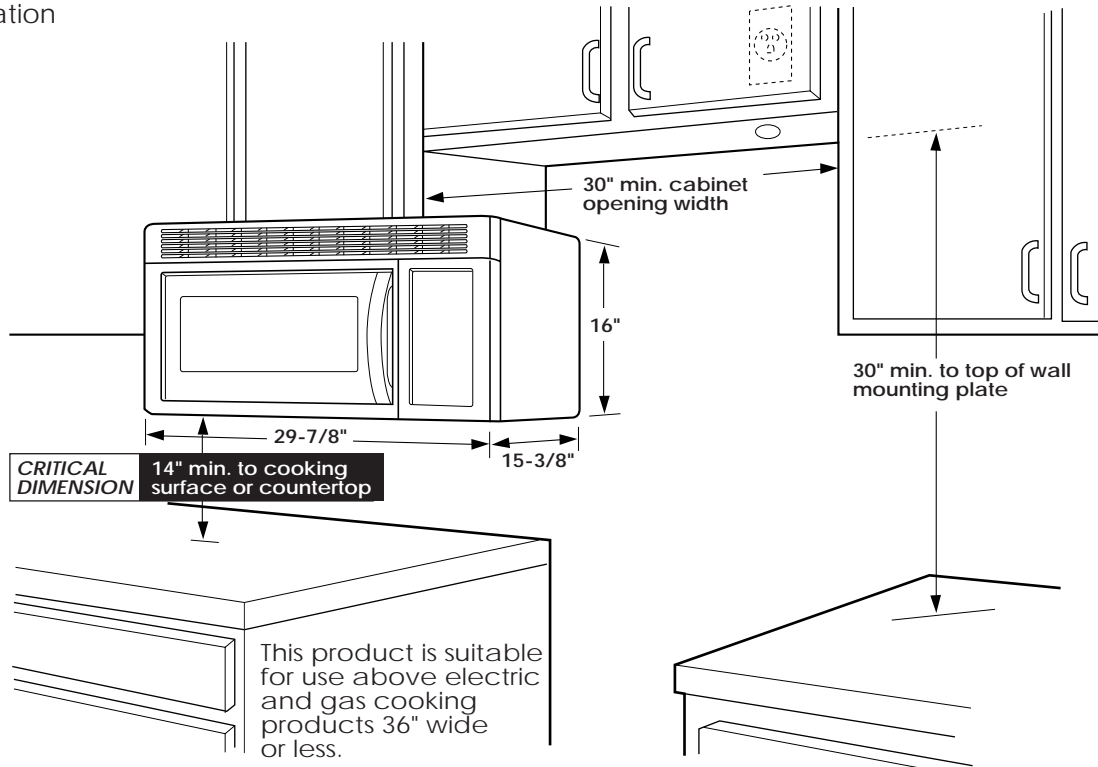
Save Installation Instructions for electrical inspector's use.

Microwave Oven Hood Combination

Before you start...

Proper installation is the installer's responsibility. A qualified technician should install this microwave oven hood. Make sure you have everything necessary for correct installation. It is the responsibility of the installer to comply with the installation clearances specified either on the mounting plate or in the Installation Instructions.

This microwave oven hood is shipped assembled for ventless (recirculating) installation



Important: Observe all governing codes and ordinances.

Electrical ground is required. See "Electrical requirements." Panel B.

Remove all contents from the upper cabinet.

Wall construction should be a minimum of 2" x 4" wood studding and 3/8" thickness drywall or plaster/lath.

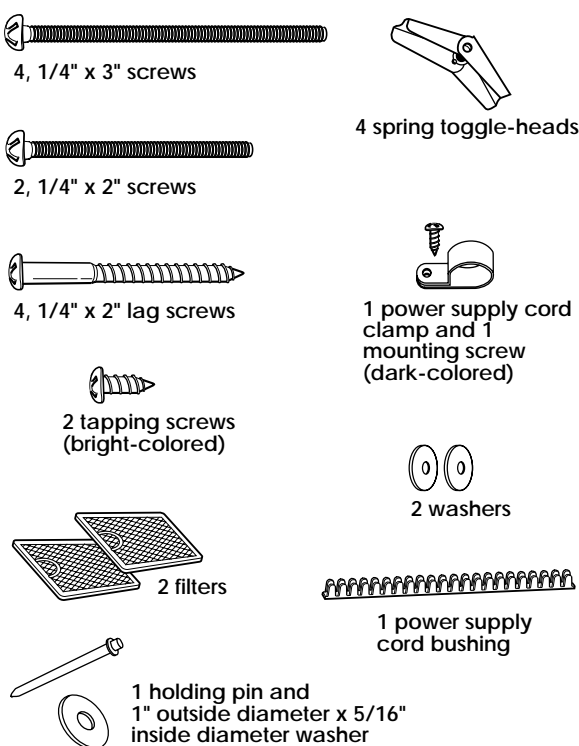
Check the microwave oven for damage. Remove all packaging material from inside microwave oven. See WARNING for excessive microwave energy exposure. If any damage is evident, Do Not operate the microwave oven until it is checked by an authorized service technician.

Place a portion of carton or another heavy material over the countertop and range before installing the microwave oven hood. Do Not use a plastic cover.

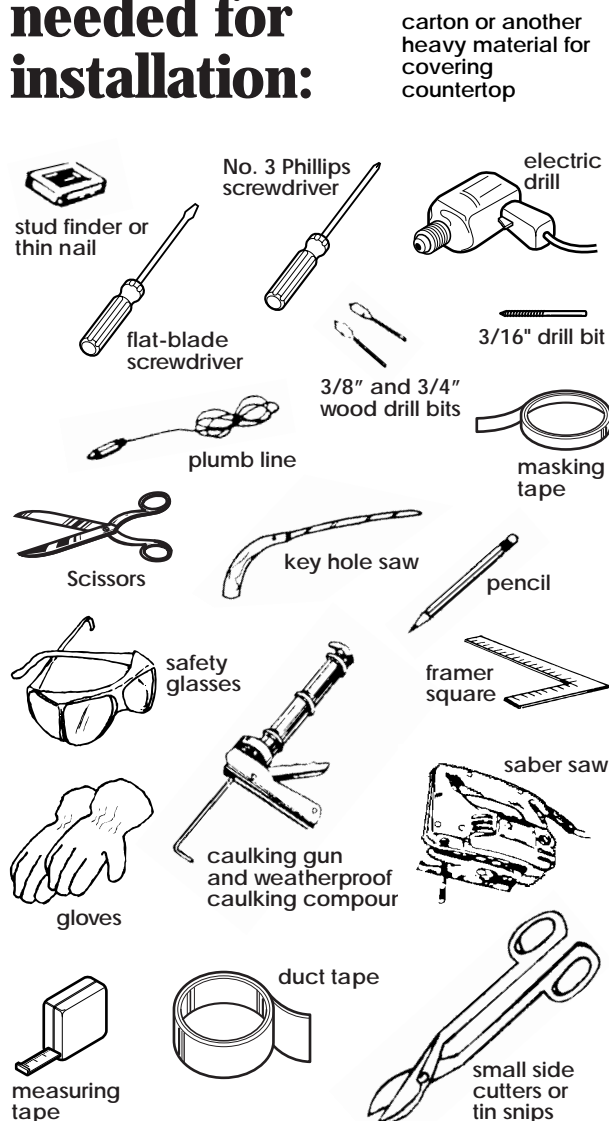
Check location:

- The wall must be strong enough to support the microwave oven hood weight of 70 pounds, plus the weight of any items placed inside the microwave oven or the upper cabinet.
- The location should be away from draft areas, such as windows, doors, and strong heating vents.
- The microwave oven hood should be located for convenient use in the kitchen.

Parts supplied for installation:



Tools and materials needed for installation:



Special hardware and tools are required for brick or masonry walls.

Your safety and the safety of others is very important.

We have provided many important safety messages in this manual and on your appliance. Always read and obey all safety messages.



This is the safety alert symbol.

This symbol alerts you to hazards that can kill or hurt you and others. All safety messages will be preceded by the safety alert symbol and the word "DANGER" or "WARNING". These words mean:

DANGER

You will be killed or seriously injured if you don't follow instructions.

WARNING

You can be killed or seriously injured if you don't follow instructions.

All safety messages will identify the hazard, tell you how to reduce the chance of injury, and tell you what can happen if the instructions are not followed.

WARNING

Excessive Microwave Energy Exposure
Do Not attempt to operate this microwave oven with the door open.
Do Not tamper with or defeat the safety interlocks.
Do Not place objects between the microwave oven front face and the door.
Do Not allow soil or cleaner residue to accumulate on sealing surface of microwave oven door.
Do Not operate microwave oven if it is damaged.
The microwave oven door must close properly to provide safe operation. Do Not use microwave oven if door is bent; hinges and latches are broken or loose; or door seals, sealing surfaces or glass is broken.
The microwave oven should be adjusted and repaired only by a qualified repair person. Have a qualified repair person check for microwave leakage if a repair is made.
Do Not use microwave oven for commercial purposes. This microwave oven is designed for household use only.
Failure to use microwave oven except as instructed could result in exposure to excessive microwave energy.

WARNING



Electrical Shock Hazard
Take special care when drilling holes into the wall. Electrical wires may be concealed behind the wall covering, and contact with them could result in death or serious injury.

It is the customer's responsibility: To contact a qualified electrical installer. To assure that the electrical installation is adequate and in conformance with National Electrical Code, ANSI/NFPA 70 - latest edition*, and all local codes and ordinances.


WARNING

Excessive Weight Hazard
Use two or more people to move and install oven. This microwave oven hood must be mounted against and supported by a flat, vertical wall. This microwave oven hood must be attached with two lag screws to a minimum of one, vertical 2" x 4" wall stud. Do Not mount microwave oven hood to an island or peninsula cabinet. The top and rear supporting structure for microwave oven hood must be capable of supporting 70 pounds, plus the weight of any items placed inside the microwave oven or upper cabinet. Failure to follow these instructions can result in back or other injury.

Copies of the standard listed may be obtained from:
* National Fire Protection Association
Batterymarch Park
Quincy, Massachusetts 02269

Electrical requirements

⚠ WARNING

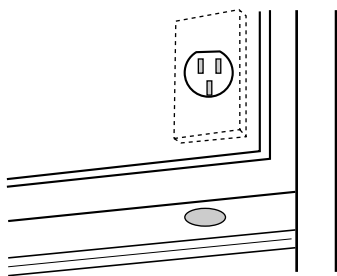


Electrical Shock Hazard

Electrically ground microwave oven hood. Do not use an extension cord. Failure to follow these instructions could result in death, fire, or electrical shock.

If codes permit and a separate ground wire is used, it is recommended that a qualified electrician determine that the ground path is adequate. Do not ground to a gas pipe. Check with a qualified electrician if you are not sure microwave oven hood is properly grounded. Do not have a fuse in the neutral or ground circuit.

A 120-volt, 60-Hz, AC-only, 15- or 20-ampere, fused electrical supply (located in the upper cabinet as close as possible to the microwave oven hood) is required. A time-delay fuse or circuit breaker is recommended. It is recommended that a separate circuit serving only this appliance be provided.



Recommended ground method

For your personal safety, this microwave oven hood must be grounded. This microwave oven hood is equipped with a power supply cord having a 3-prong ground plug. To minimize possible shock hazard, the cord must be plugged into a mating 3-prong ground-type wall receptacle, grounded in accordance with the National Electrical Code, ANSI/NFPA 70 - latest edition (*, see Panel A), and all local codes and ordinances. (See Figure 1.) If a mating wall receptacle is not available, it is the personal responsibility and obligation of the customer to have a properly grounded, 3-prong wall receptacle installed by a qualified electrician.

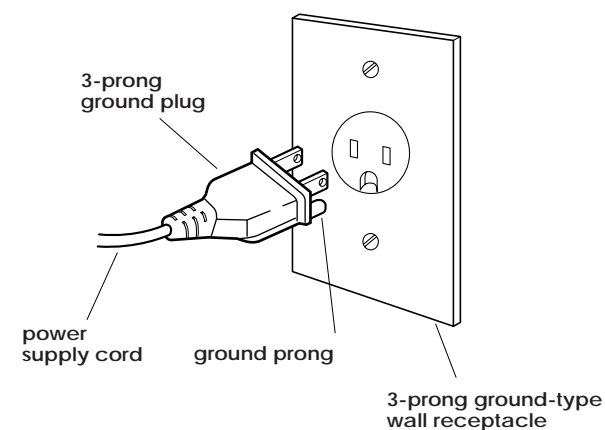



Figure 1

Venting requirements

⚠ WARNING



Fire Hazard

Venting system must terminate to the outside. Do Not terminate the duct in an attic or other enclosed space. Do Not use four-inch laundry-type wall caps. Do Not use plastic duct. Failure to follow recommended venting procedures may result in a fire.

CAUTION: To reduce risk of fire and to properly exhaust air, be sure to duct air outside. Do Not vent exhaust air into spaces within walls or ceilings or into attics, crawl spaces or garages.

Duct needed for Installation is not included. Wall and roof caps used must have back-draft damper. Use metal duct only. Rigid metal duct is recommended.

Flexible metal duct is Not recommended. If flexible metal duct is used, calculate each foot of flexible metal duct as two feet of straight metal duct. Flexible metal elbows count twice as much as standard elbows.

Determine which venting method (roof-venting or wall-venting) you need to use. This microwave oven hood is equipped for ventless (recirculating) installation.

The length of the duct and number of elbows should be kept to a minimum to provide efficient performance. The size of duct should be uniform. Do Not install two elbows together. Use duct tape to seal all joints in the duct system. Use caulking to seal exterior wall or roof opening around cap. Figures 2-5 show common venting methods and types of materials needed.

Note: If wall-venting method is chosen, be sure that there is proper clearance within the wall for the exhaust duct.

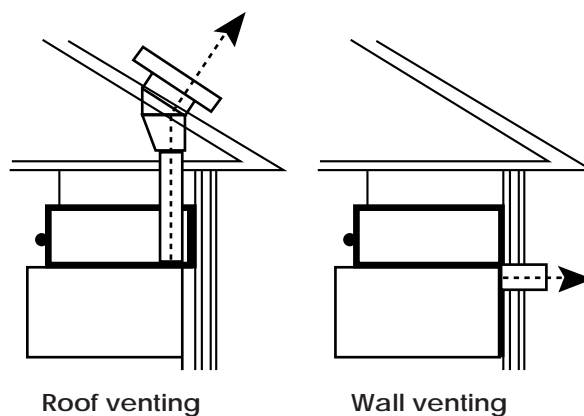
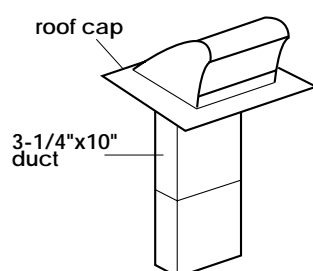
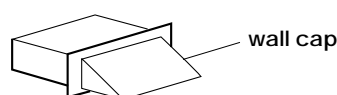


Figure 2



through-the-roof
Figure 3



3-1/4"x10" through-the-wall

Figure 4

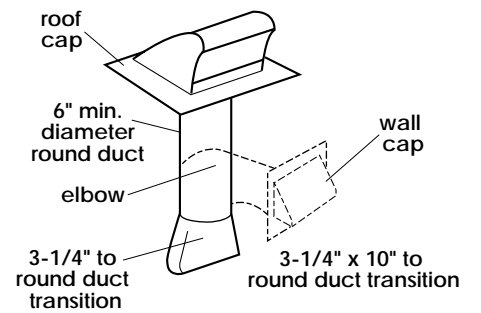
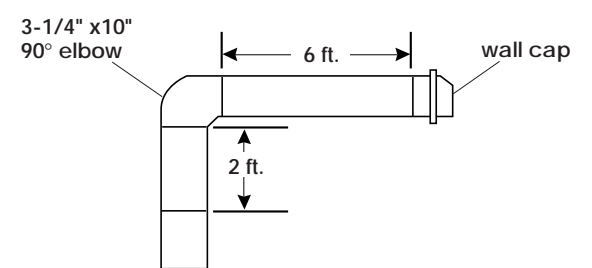


Figure 5

Recommended duct length

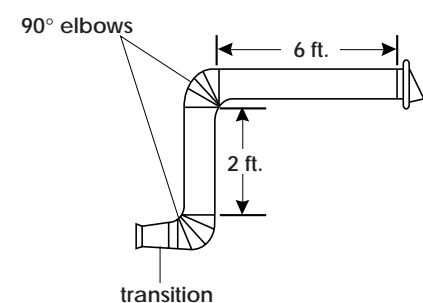
Use 3-1/4" x 10" or 6" duct. The total length of the duct system including straight duct, elbow, transitions, wall or roof caps must not exceed the equivalent of 140 feet of 3-1/4" x 10" rectangular or 6" diameter round duct. For best performance, use no more than three 90° elbows. To calculate the length of system you need, add the equivalent feet for each duct piece used in the system. See the following examples:

3-1/4" x 10" duct system



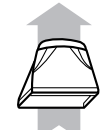
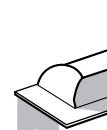
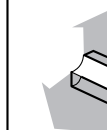
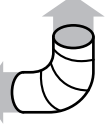
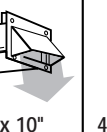
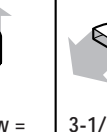

- 1 - 3-1/4" x 10" 90° elbow = 25 ft.
- 1 - wall cap = 40 ft.
- 8 feet straight = 8 ft.
- Length of 3-1/4" x 10" system = 73 ft.**

6" duct system



- 1 - transition = 5 ft.
- 2 - 90° elbows = 20 ft.
- 1 - wall cap = 40 ft.
- 8 feet straight = 8 ft.
- Length of 6" system = 73 ft.**

Recommended standard fittings

 3-1/4" x 10" to 6" = 5 ft.	 3-1/4" x 10" roof cap = 24 ft.	 3-1/4" x 10" 90° elbow = 25 ft.
 90° elbow = 10 ft.	 3-1/4" x 10" wall cap = 40 ft.	 45° elbow = 5 ft.
	 3-1/4" x 10" flat elbow = 10 ft.	

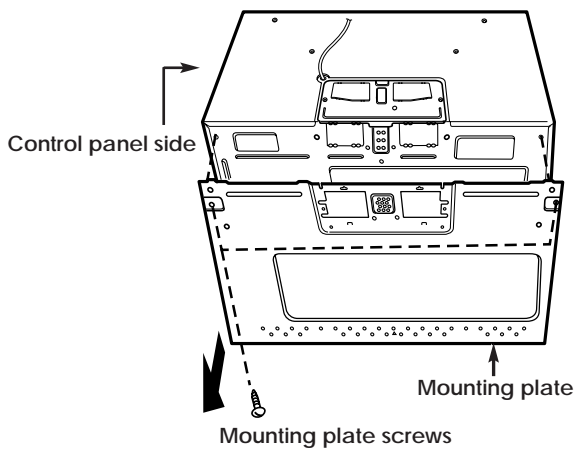
If the existing duct is round, a rectangular-to-round adapter must be used and a rectangular 3" extension duct between the damper assembly and the adapter must be installed to prevent sticking of the exhaust damper.

Venting preparation

⚠ WARNING



Electrical Shock Hazard
Do not pull or stretch blower wiring.
Reinsert wires into clips before reinstalling blower unit into microwave oven hood.
Failure to do so could result in death, fire, or electrical shock.



Remove mounting plate screw (2 screws) that attach mounting plate to microwave oven hood cabinet.

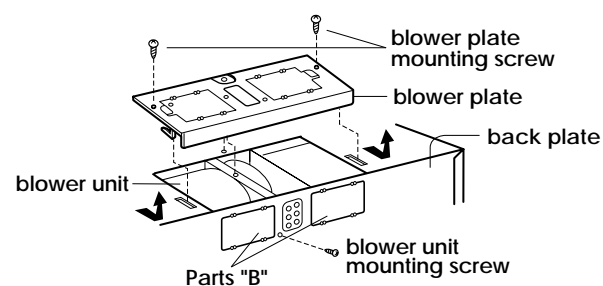
Remove mounting plate and set aside. Replace screws into cabinet.

This microwave oven hood is shipped assembled for ventless (recirculating) installation. Adjustments must be made to vent the hood through the wall or through the roof. Follow the instructions for preparing your microwave oven hood for the type of venting method you need.

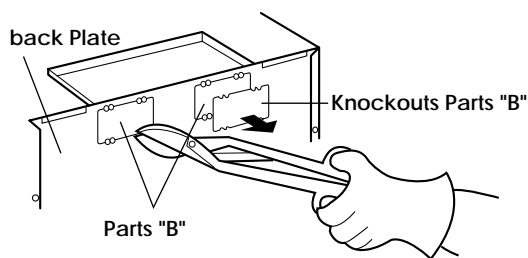
Ventless (recirculating) installation:

Go to "Now start..."

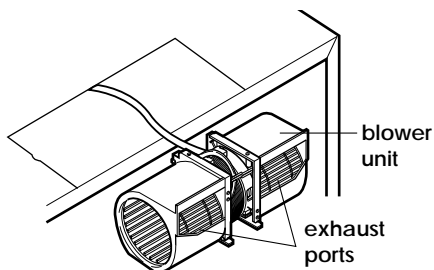
Wall-venting installation:



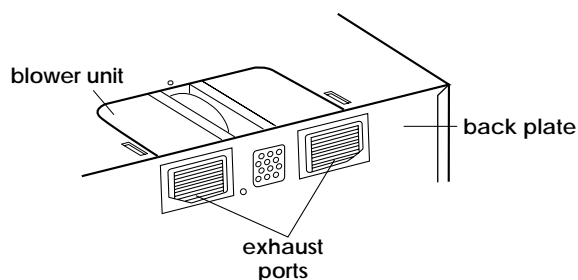
- Remove one blower unit mounting screw.
- Remove two blower plate screws. Remove the blower plate from cabinet.
- Carefully lift the blower unit out of the cabinet.



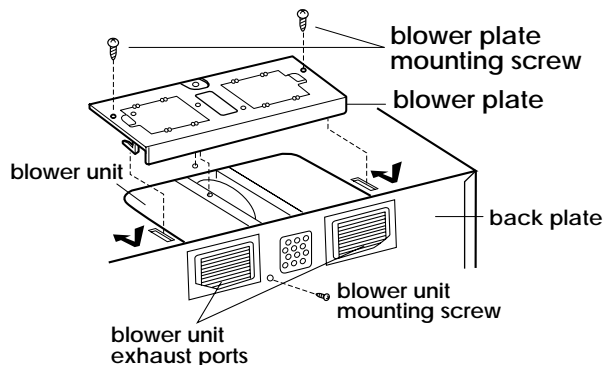
- Use side cutters or tin snips to cut and remove knockout parts "B" from back plate. Discard knockouts.



- Rotate blower unit end over end. Then rotate blower unit 1/2 turn (180°) so that the exhaust ports face the rear of the cabinet.

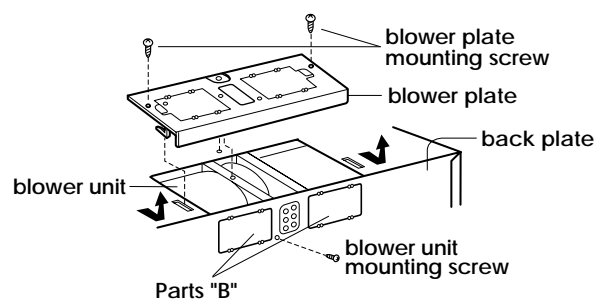


- Place blower unit back into cabinet. Check that exhaust ports face the rear of the cabinet.

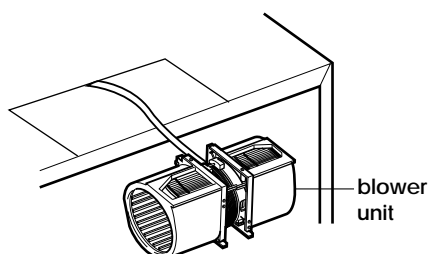


- Reattach blower plate to cabinet. Attach with the one blower unit mounting screw and then the two blower plate mounting screws.

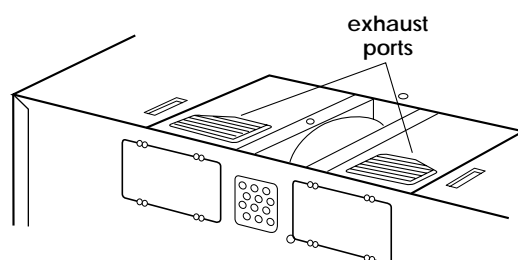
Roof-venting installation:



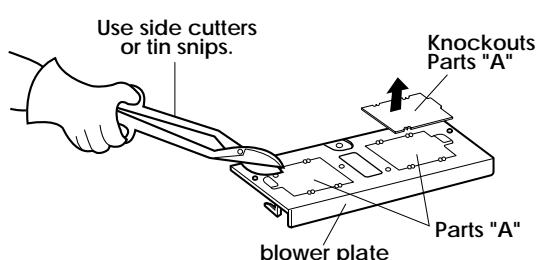
- Remove one blower unit mounting screw.
- Remove two blower plate screws. Remove the blower plate from cabinet.
- Carefully lift the blower unit out of the cabinet.



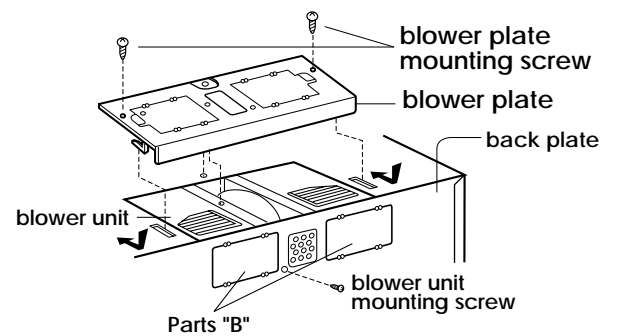
- Rotate blower unit 1/4 turn (90°) so that the exhaust ports face the top of the cabinet.



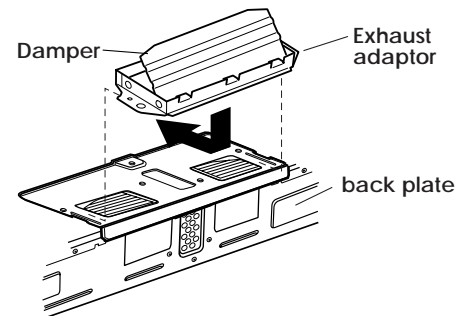
- Place blower unit back into cabinet. Check that exhaust ports face the top of the cabinet.



- Use side cutters or tin snips to cut and remove knockout parts "A" from blower plate. Discard knockouts.



- Reattach blower plate to cabinet, so exhaust ports and blower plate openings are aligned. Attach with the one blower unit mounting screw and then the two blower plate mounting screws.



- Attach the exhaust adaptor to the blower plate by sliding it into the guides. Go to "Now start".

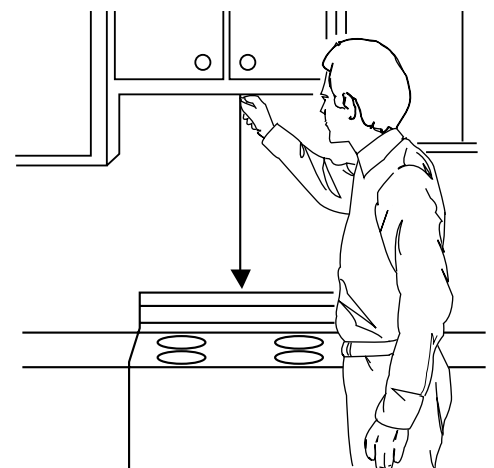
Now start...

With microwave hood in kitchen.

- Put on safety glasses and gloves. Remove shipping materials and parts from inside microwave oven.

Slide range onto cardboard or hardboard before moving across floor.

- Disconnect and move freestanding range out of the cabinet opening to provide easier access to the upper cabinet and back wall. Put a thick, protective covering over cooktop, set-in range or countertop to protect from damage and dirt.

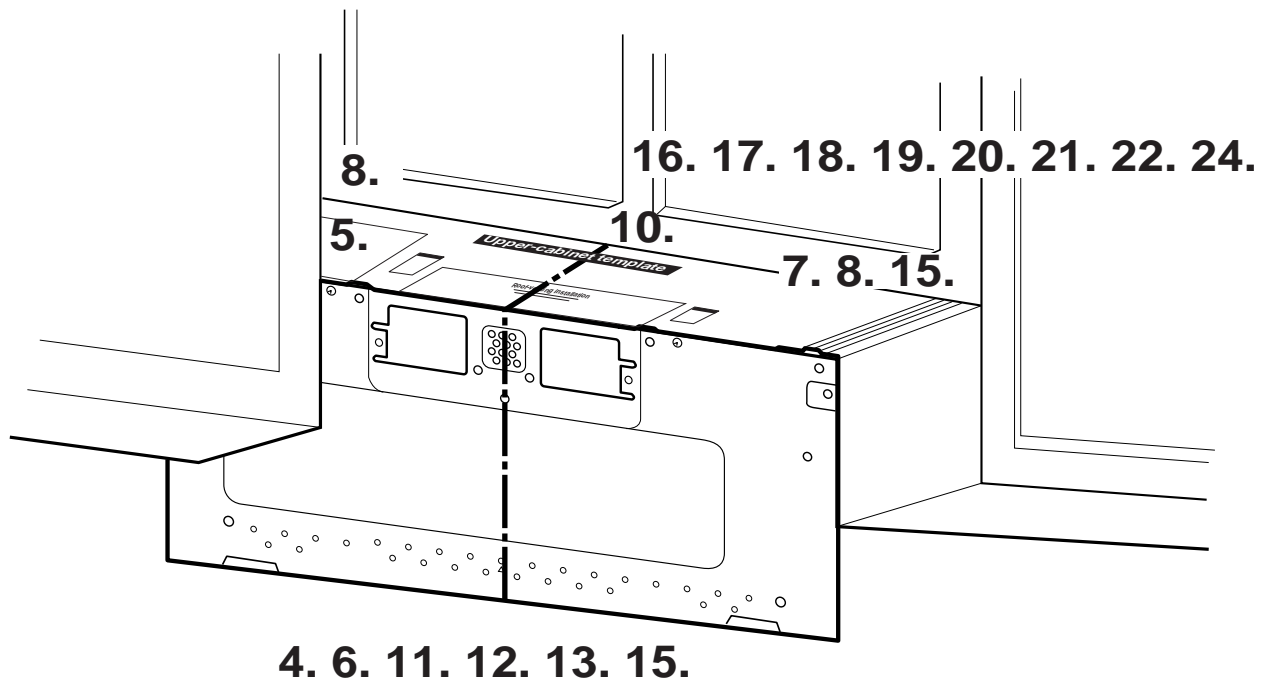


- Using a plumb line and measuring tape, determine and clearly mark a vertical centerline on the wall in the area the microwave oven hood is to be installed. Find and mark the location of all wall stud(s) on the wall; then measure and mark their location on the plate. If there are no wall studs in the area that the microwave oven hood is to be installed, consult a local building inspector. **Do Not attempt to install microwave oven hood if a wall stud cannot be found.**

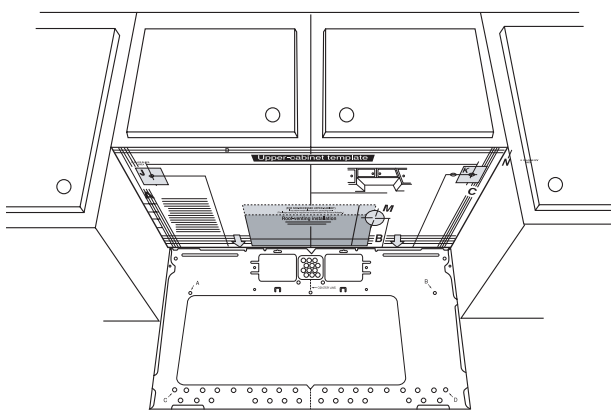
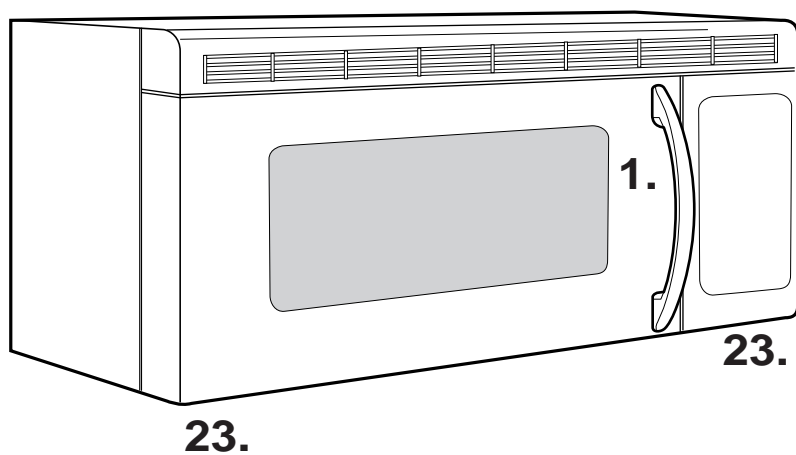
- Center mounting plate in opening by lining up the plumb line on wall with centerline on mounting plate. Make sure the minimum width is 30 inches and that the top of the mounting plate is located a minimum of 30 inches above the cooking surface.

Note

- If cabinets are not plumb adjust the mounting plate to the cabinets.
- If front edge of cabinet is lower than back edge adjust the mounting plate so that it is level with the cabinet front.



Numbers correspond to steps.



5. Measure the bottom of the upper cabinet frame. Trim the edges "A", "B", "C" and "D" on the upper cabinet template so that the template will fit on the bottom of the upper cabinet. If upper cabinet has a recessed frame, trim template so that it fits inside the recessed area. Align the centerline of the upper cabinet template with the centerline of the mounting plate; then securely tape or tack the upper cabinet template in place.

WARNING



Electrical Shock Hazard
Take special care when drilling holes into the wall. Electrical wires may be concealed behind the wall covering, and contact with them could result in death or serious injury.

6. THE OVEN MUST BE CONNECTED TO AT LEAST ONE WALL STUD.

1. Draw a vertical line on the wall at the center of the 30" wide space.

Use the mounting plate as the template for the rear wall. Place the mounting plate on the wall, making sure that the tabs are against the bottom of the cabinet. Line up the notch and center line on the mounting plate to the center line on the wall.

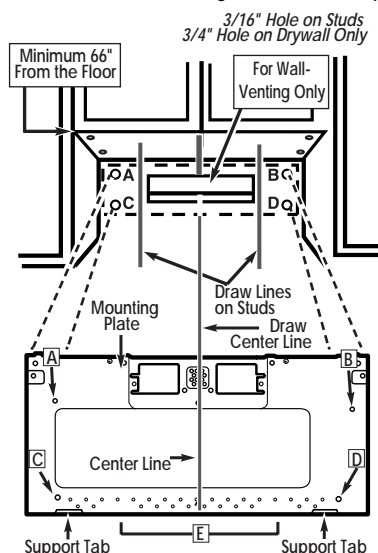
2. While holding the mounting plate with one hand, draw circles on the wall at holes A, B, C and D. These four holes must be used for mounting. If the holes are not used, the installation will not be secure. Installer must use these holes for proper installation. Use toggle screws these holes unless one of them lines up with a stud. Use lag screws for studs.

NOTE: Draw a fifth circle inside area E, through one of the bottom holes to match the location of a stud.

For wall-venting: The oven requires a rear wall cutout opening for the rear wall duct and the exhaust adaptor must be attached to the mounting plate. Go to step 11 on how to prepare the rear wall cutout opening and the exhaust adaptor/mounting plate for wall-venting.

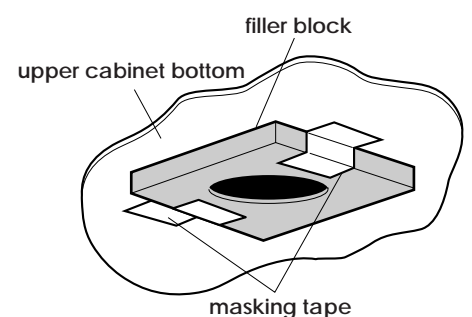
Set the mounting plate aside.

3. Drill holes on the circles. If there is a stud, drill a 3/16" hole for lag screws. If there is no stud, drill a 3/4" hole for toggle screws. Make sure to use at least 1 lag screw in a stud, and 4 toggle screws in the drywall or the plaster.



7. Cut out or drill a 2" diameter hole at the area marked "M", "power supply cord hole" on the upper cabinet template. If upper cabinet is metal, install power supply cord bushing around the edge of hole to prevent damage to the cord from the rough metal edge.

8. Drill a 3/8" hole at points "J", "K" and "N" on the upper cabinet template. **If bottom of upper cabinet is recessed,** make 2 filler blocks as the size of the shaded areas G & H. You may need to cut the filler block to fit inside upper cabinet frame. Mark the cutout position on the filler blocks through the holes on the cabinet bottom and drill a 3/8" dia. holes at work in each block. Place the filler blocks so that the hole in each block lines up with the 3/8" cutout in the bottom of the cabinet. Tape filler blocks to cabinet bottom after template is removed.

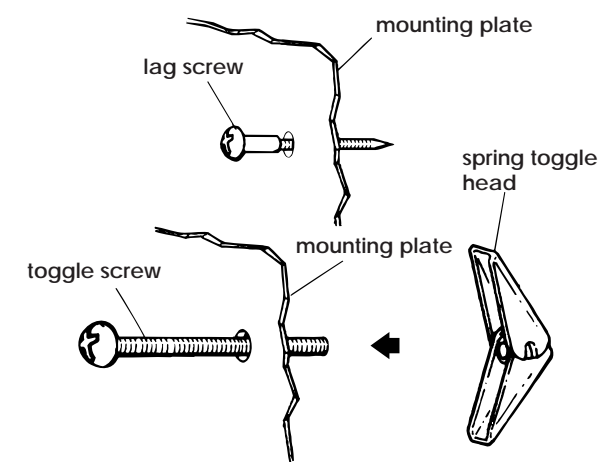
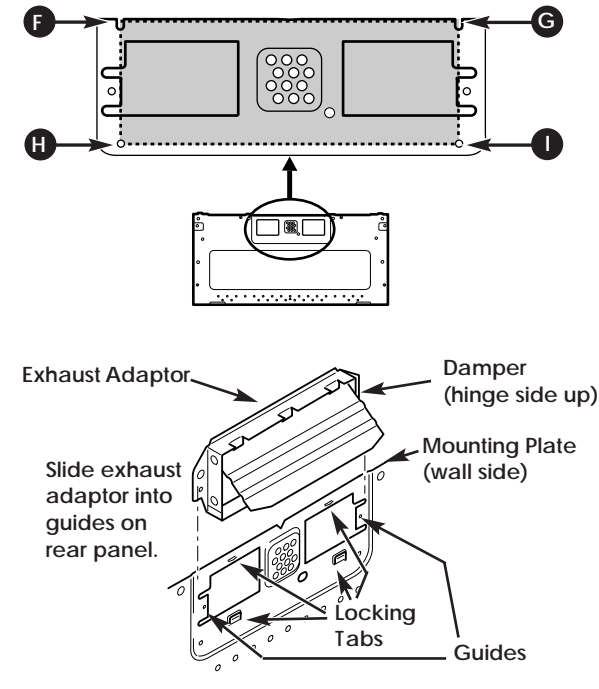


9. If ventless (recirculating) and wall venting installation are: Remove the upper-cabinet template.

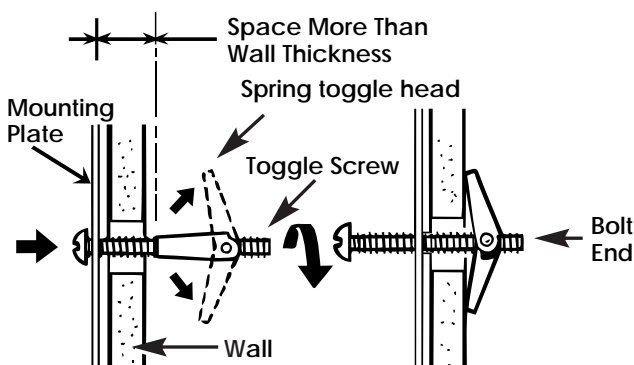
10. For ventless installations, go to Step 12. To vent through the roof, cut out the rectangular area marked "L" on the upper cabinet template, go to step 12. Roof-venting location can be adjusted for a non-recessed cabinet. To vent through the wall, go to next step.

11. To prepare the rear wall cutout opening and exhaust Adaptor/mounting plate for wall-venting:

- Place the mounting plate against the rear wall.
- Using a pencil, put dots through slots F and G, and through holes H and I. Remove the mounting plate and draw lines extending through the points. This will give the location and size of the box cutout for the rear wall duct.
 - Attach the exhaust adaptor to the rear mounting plate by sliding it into the guides at the top center of the plate on the wall side. Push in securely until it is past the top locking tabs and in the lower locking tabs. Take care to assure the damper hinge is installed so that it is at the top and that the damper swings freely.
 - Carefully guide the exhaust adaptor, now attached to the mounting plate, into the house duct, before using the screws to attach the plate to the wall. This will assure proper alignment for installation.

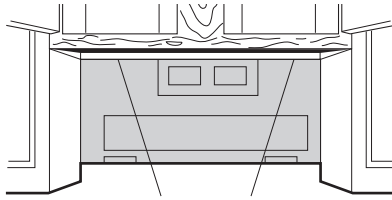


12. Insert lag Screws (into wall stud) or toggle bolts (through drywall) through the holes on the mounting plate at holes "A", "B", "C", "D" and "E".

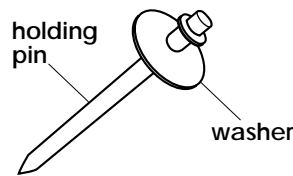


Attach a spring toggle head to the end of each toggle screw. Leave at least one wall thickness of space between the mounting plate and the end of the spring toggle head so that the spring toggle head can properly open on the other side of the wall.

13. Position mounting plate on the wall making sure that top of mounting plate is against bottom of cabinet or bottom of cabinet frame. Start the lag screws through the wall-stud holes and/or insert toggle screws and spring toggle heads through drywall holes. Tighten screws to secure mounting plate to wall. Check that center of plate is secured to wall.

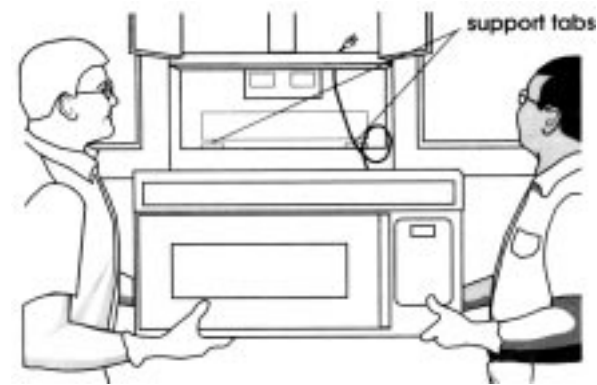


14. Slide washer onto holding pin and set inside upper cabinet.



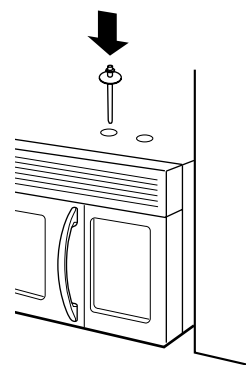
WARNING

Excessive Weight Hazard
Use two or more people to move and install microwave oven hood. Lift microwave oven hood and hang on support tabs on bottom of mounting plate brackets. Hold microwave oven hood in place and secure to upper cabinet with the holding pin and washer. Failure to follow these instructions can result in back or other injury.

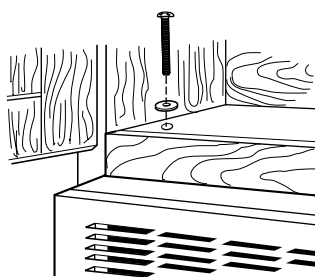


15. Carefully lift microwave oven hood and hang it on support tabs at the bottom of the mounting plate. Thread power supply cord through the power supply cord hole in the bottom of the upper cabinet.

16. Rotate microwave oven hood upward so that top of hood is against bottom of upper cabinet or cabinet frame.

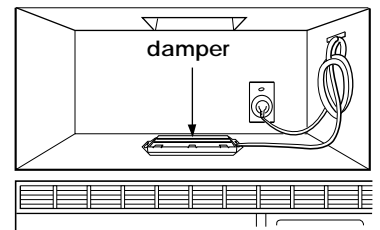


17. Drop the holding pin and washer assembly into hole "N" and push pin down as far as it will go.

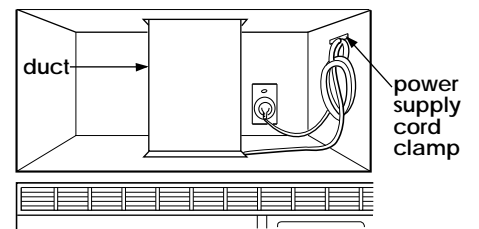


18. Place washers over two, 1/4" x2" or 3" screws. Then insert a screw down through each hole in the upper cabinet bottom. Tighten the screws until the gap between the upper cabinet and microwave oven hood is closed.

19. Remove holding pin and washer and store for possible future need. If wall venting or ventless installation is used, go to Step 22.

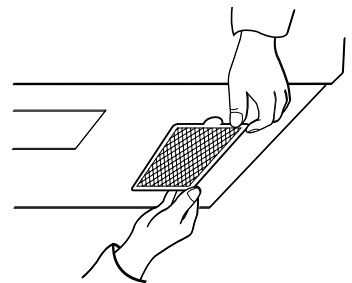


20. Roof-venting installation: Align the damper/duct connector with the vent on top of the microwave oven hood. Damper should be on top of tab. Use one tapping screws (bright-colored) to attach damper/duct connector to the microwave oven hood. Note: Damper/duct connector must be attached to microwave oven hood after microwave oven hood is installed.



21. Roof-venting installation: Install duct through the vent opening in the upper cabinet. Complete the venting system through the roof according to the method needed. See "Venting requirements" and "Venting preparation", Panels B and C. Use caulking to seal exterior roof opening around exhaust cap.

22. Install power supply cord clamp, using screw (dark-colored) as shown in Step 21, to inside of the cabinet. Use power supply cord clamp to bundle the power supply cord.



23. Grasp filter screen with one hand holding the ring and the other hand holding the opposite end. Insert the end of the filter screen without ring into the opening and slide towards the center of the microwave oven hood. Insert ring end of filter screen into the opening and slide entire screen towards the front side of the microwave oven hood until screen is securely in position. Repeat for other filter screen

24. Plug in the power supply cord.

25. Read your Use and Care Guide, then check the operation of your microwave oven hood.

You have just finished installing your new microwave oven hood. To get the most efficient use from your new microwave oven hood, read your Use & Care Guide. Keep Installation Instructions

Congratulations!

and Guide close to microwave oven hood for easy reference. The instructions will make reinstalling your microwave oven hood in another home as easy as the first installation.

If microwave oven does not operate...

- Check that the circuit breaker is not tripped or the house fuse blown.
- Check that the power supply cord is plugged into the wall receptacle.
- See Use and Care Guide for troubleshooting checklist.

If you need assistance...

Check your Use and Care Guide for a toll-free number to call, or call the dealer from whom you purchased this appliance. The dealer is listed in the Yellow Pages of your phone directory under "Appliances - Household - Major - Service and Repair."

When you call, you will need the microwave oven hood model and serial number. Both numbers can be found on the model/serial rating plate located behind the microwave oven door on the front frame of the microwave oven.

Accessory kits

Accessory kit no.4378403 - Almond
- White
- Black
- Biscuit

Filler panel kits are available from your dealer to use when installing this microwave oven in a 36"- or 42"- wide opening. The filler panels come in pairs and each panel is 3" wide.

See your dealer for details.

