



PERFORMANCE DATA NO LOAD & NO DOOR OPENINGS AT MID-POINT CONTROL SETTING		
Type A with Run/Start Capacitor	65°F (18°C) Ambient	90°F (32°C) Ambient
Operating Time	N/A	14 to 37% (Wine Cooler) 30 to 50% (Beverage Center)
Wine Cooler Temperature	45° F to 65° F	45° F to 65° F
Beverage Center Temperature	33° F to 43° F	33° F to 43° F
Low Side Pressure (cut-in)	5 to 16 psig 43 to 110 kPa	5 to 16 psig 43 to 110 kPa
Low Side Pressure (cut-out)	-2 to 4 psig -14 to 28 kPa	-2 to 4 psig -14 to 28 kPa
High Side Pressure (last 1/3 cycle)	90 to 120 psig 621 to 827 kPa	130 to 175 psig 896 to 1207 kPa
Wattage (last 1/3 cycle)	120 to 185	120 to 185
Amps (running)	1.0 to 1.6	1.1 to 1.6
Base Voltage	115 vac (127 vac max)	
CONDENSER FAN MOTOR		
Watts	RPM	Amps
3.1	1100 CW Opposite Shaft	0.03 Running

SERVICE DATA SHEET
241888500
WINE COOLER - BEVERAGE CENTER - R134a

IMPORTANT SAFETY NOTE

The information provided herein is designed to assist qualified repair personnel only. Untrained persons should not attempt to make repairs due to the possibility of electrical shock. Disconnect power cord before servicing this appliance.

IMPORTANT

If any green grounding wires are removed during servicing, they must be returned to their original position and properly secured.

CAUTION

All electrical parts and wiring must be shielded from torch flame. **DO NOT** allow torch to touch insulation; it will char at 200°F and flash ignite (burn) at 500°F. Excessive heat will distort the plastic liner.

IMPORTANT: PLEASE RETURN THIS SHEET TO IT'S ORIGINAL LOCATION.

NOTE

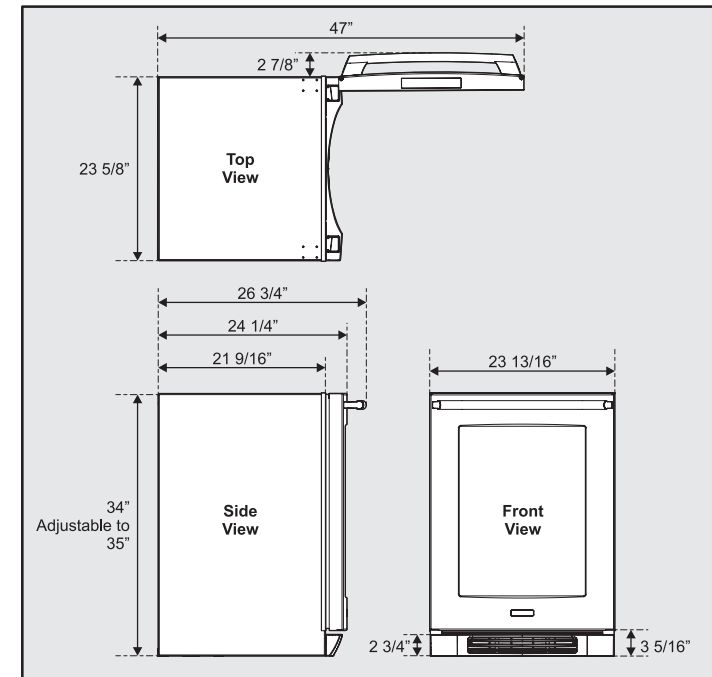
Your Electrolux wine cooler / beverage center has been designed for either free-standing or built-in installation. When built-in, your wine cooler does not require additional air space for top, sides or rear. In either case, the front grille must **NOT** be obstructed.

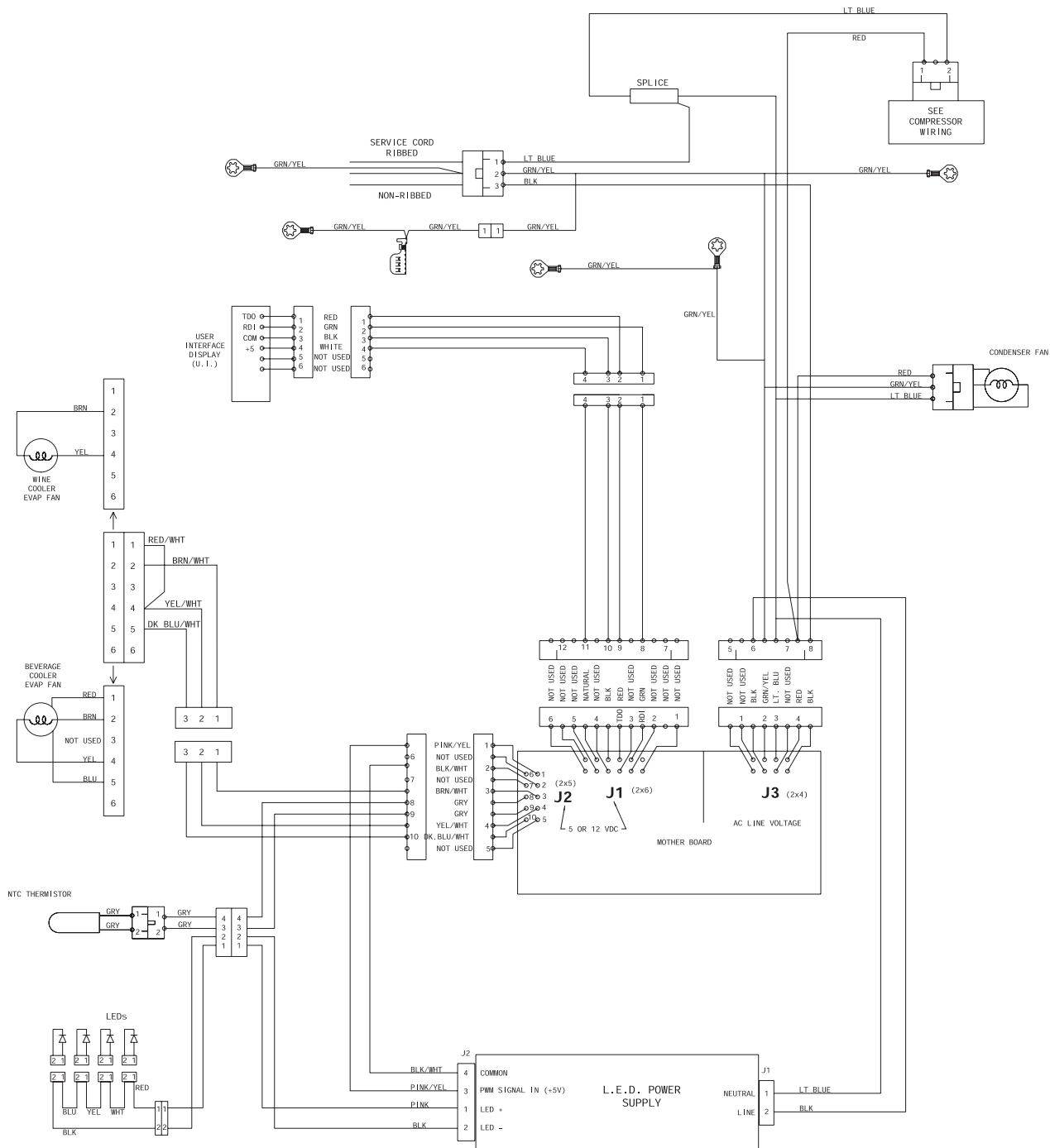
To ease unit installation and removal, it is recommended that the cabinet rough opening dimensions be increased by at least ¼ inch over the dimensions given for your unit.

All units require zero clearance when installed flush with a cabinet or wall. Electrolux stainless steel models require a minimum 27/8 inch handle clearance when installed against a wall or cabinet that extends beyond the front edge of the unit.

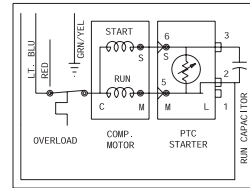
Unit Dimensions

Width	Height	Depth
23¹³/₁₆ inch	34-35 inches	26³/₄ inch





P.T.C. STARTER WITH RUN CAPACITOR



*CAPACITOR IS ONLY USED WITH SOME P.T.C. MODELS
 STANDARD AC COMPRESSOR

