

| PERFORMANCE DATA<br>NO LOAD AND NO DOOR OPENINGS AT MID-POINT CONTROL SETTING           |                                  |                                    |                       |      |
|-----------------------------------------------------------------------------------------|----------------------------------|------------------------------------|-----------------------|------|
| Type A With Run/Start Capacitor                                                         | 65°F (18°C) Ambient              | 90°F (32°C) Ambient                |                       |      |
| Operating Time                                                                          | 32 to 40%                        | 55 to 65%                          |                       |      |
| Freezer Temperature                                                                     | 0° to 4°F<br>-18° to -16°C       | -1° to 3°F<br>-18° to -16°C        |                       |      |
| Refrigerator Temperature                                                                | 34° to 39°F<br>1° to 4°C         | 34° to 39°F<br>1° to 4°C           |                       |      |
| Low Side Pressure (cut-in)                                                              | 5 to 12 psig<br>34 to 83 kPa     | 5 to 12 psig<br>34 to 83 kPa       |                       |      |
| Low Side Pressure (cut-out)                                                             | -2 to 2 psig<br>-14 to 14 kPa    | -2 to 2 psig<br>-14 to 14 kPa      |                       |      |
| High Side Pressure (Last 1/3 of cycle)                                                  | 90 to 115 psig<br>621 to 793 kPa | 130 to 155 psig<br>896 to 1069 kPa |                       |      |
| Wattage (Last 1/3 of cycle)                                                             | 120 to 150                       | 130 to 160                         |                       |      |
| Amps (Running)                                                                          | 1.2 to 1.5                       | 1.2 to 1.5                         |                       |      |
| Base Voltage                                                                            | 115 vac (127 vac max)            | 115 vac (127 vac max)              |                       |      |
| DEFROST SPECIFICATIONS                                                                  |                                  |                                    |                       |      |
| Cabinet Size                                                                            | Thermostat                       |                                    | Heater                |      |
|                                                                                         | Cut-in                           | Cut-out                            | Watts                 | Ohms |
| 23' & 26'                                                                               | 25°F<br>-4°C                     | 47°F<br>8°C                        | 450                   | 30   |
| Electronic Timer - (ADC) Defrost 24 minutes every 6 to 72 hours of compressor run time. |                                  |                                    |                       |      |
| CONDENSER FAN MOTOR                                                                     |                                  |                                    |                       |      |
| Watts                                                                                   | RPM                              |                                    | Amps                  |      |
| 3.1 (Energy Star - Some models)                                                         | 1100 CW Opposite Shaft           |                                    | 0.03 Running          |      |
| 8.0                                                                                     | 2250 CW Opposite Shaft           |                                    | 0.07 Running          |      |
| ICE MAKER SPECIFICATIONS                                                                |                                  |                                    |                       |      |
| Electrical                                                                              | 115 vac (127 vac max)            |                                    | 60 Hertz              |      |
| Thermostat                                                                              | Opens at 48°F (9°C)              |                                    | Closes at 15°F (-9°C) |      |
| Heater Wattage                                                                          | 165                              |                                    |                       |      |
| ICE MAKER CONNECTOR PLUG CONNECTIONS                                                    |                                  |                                    |                       |      |
| Wire Number                                                                             | Wire Color                       | Connects to:                       |                       |      |
| 1                                                                                       | Green/Yellow                     | Ground                             |                       |      |
| 2                                                                                       | Yellow                           | Water Valve                        |                       |      |
| 3                                                                                       | Black                            | Line                               |                       |      |
| 4                                                                                       | Lt. Blue                         | Neutral                            |                       |      |

**SERVICE DATA SHEET - 240389627**

**R134a**

**ICE & WATER - AUTOMATIC DEFROST**

**SIDE BY SIDE MODELS**

**IMPORTANT SAFETY NOTE**

The information provided herein is designed to assist qualified repair personnel only. Untrained persons should not attempt to make repairs due to the possibility of electrical shock. Disconnect power cord before servicing this appliance.

**IMPORTANT**

If any green grounding wires are removed during servicing, they must be returned to their original position and properly secured.

**CAUTION**

All electrical parts and wiring must be shielded from torch flame. DO NOT allow torch to touch insulation; it will char at 200°F and flash ignite (burn) at 500°F. Excessive heat will distort the plastic liner.

**NOTE**

This product comes equipped with an Electronic Defrost Control. To initiate defrost, depress the fresh food light switch 5 times in 6 seconds (light bulb must be working). To terminate defrost, depress the fresh food light switch 5 times in 6 seconds.

## ICE MAKER INFORMATION LEFT SIDE MOUNTED

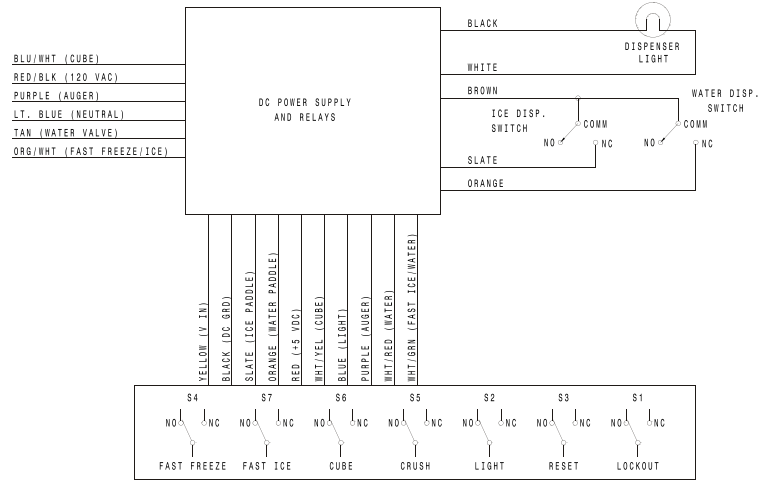
### Test Cycling

Remove cover by inserting screwdriver in notch at bottom and prying cover from housing. Use screwdriver to rotate motor gear counterclockwise until holding switch circuit is completed. All components of ice maker should function to complete the cycle.

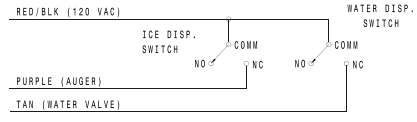
### Water Fill Volume

The water fill adjustment screw will change the fill time. One full turn is equal to 20cc (.68 oz.). The correct fill is 102 to 130cc (3.4 to 4.3 oz.). When a water valve is replaced, the fill volume must be checked.

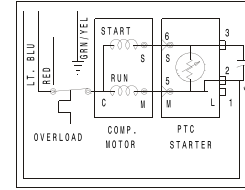
### ELECTRONIC DISPENSER



### ELECTRO-MECHANICAL DISPENSER



### P.T.C. STARTER WITH RUN CAPACITOR



\*CAPACITOR IS ONLY USED WITH SOME P.T.C. MODELS.

