

FRIGIDAIRE

All about the

Installation

of your Washer

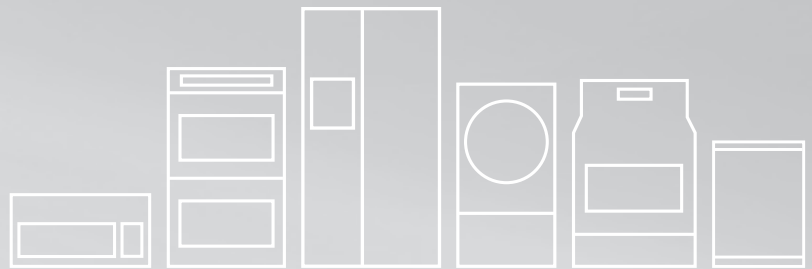


TABLE OF CONTENTS

Important Safety Instructions.....	2-3	Installation Instructions	9-10
Installation Requirements	4-5	Accessories	11
Installed Dryer Dimensions	6	Notes	12
Unpacking Washer.....	7-8	Français.....	13

IMPORTANT SAFETY INSTRUCTIONS


WARNING

Please read all instructions before using this washer.

Recognize safety symbols, words and labels

Safety items throughout this manual are labeled with a WARNING or CAUTION based on the risk type as described below:

Definitions

 This is the safety alert symbol. It is used to alert you to potential personal injury hazards. Obey all safety messages that follow this symbol to avoid possible injury or death.

DANGER

DANGER indicates an imminently hazardous situation which, if not avoided, will result in death or serious injury.

WARNING

WARNING indicates a potentially hazardous situation which, if not avoided, could result in death or serious injury.

CAUTION

CAUTION indicates a potentially hazardous situation which, if not avoided, may result in minor or moderate injury.

IMPORTANT

IMPORTANT indicates installation, operation or maintenance information which is important but not hazard-related.

Installation Checklist

Shipping Hardware

- Foam shipping support (under wash tub) removed and stored
- Shipping bolts and spacers removed from rear of appliance and stored
- Hole plugs (shipped in bag in drum) installed in holes in backsheet

Leveling

- Washer is level, side-to-side and front-to-back
- Cabinet is setting solid on all corners

Water Supply

- Rubber washers (shipped in drum) are installed in NEW inlet hoses (shipped in drum)
- HOT supply is connected to HOT inlet and COLD supply is connected to COLD inlet
- HOT and COLD water supply turned on
- No leaks present at water supply connections or appliance inlet connections - recheck in 24 hours

Drain

- Stand pipe or wall drain height minimum 24"
- Drain hose snapped in "U" channel (shipped in drum)
- Drain hose secured in place with cable tie (shipped in drum)

Electrical Power

- House power turned on
- Washer plugged in

Final Checks

- Installation Instructions** and **Use and Care Guide** read thoroughly
- Door locks and water enters drum when cycle starts
- Registration card sent in

IMPORTANT SAFETY INSTRUCTIONS

NOTE

The electrical service to the washer must conform with local codes and ordinances and the latest edition of the National Electrical Code, ANSI/NFPA 70, or in Canada, the Canadian electrical code C22.1 part 1.

WARNING

SUFFOCATION HAZARD

Destroy the carton and plastic bags after the washer is unpacked. Children might use them for play. Cartons covered with rugs, bedspreads, or plastic sheets can become airtight chambers causing suffocation. Place all materials in a garbage container or make materials inaccessible to children.

CAUTION

EXCESSIVE WEIGHT HAZARD

To avoid back or other injury, have more than one person move or lift the washer.

WARNING

FIRE HAZARD

For your safety the information in this manual must be followed to minimize the risk of fire or explosion or to prevent property damage, personal injury or loss of life. Do not store or use gasoline or other flammable vapors and liquids in the vicinity of this or any other appliance.

WHAT TO DO IF YOU SMELL GAS:

- Do not try to light any appliance.
- Do not touch any electrical switch; do not use any phone in your building.
- Clear the room, building or area of all occupants.
- Immediately call your gas supplier from a neighbor's phone. Follow the gas supplier's instructions.
- If you cannot reach your gas supplier, call the fire department.

IMPORTANT

The instructions in this manual and all other literature included with this washer are not meant to cover every possible condition and situation that may occur. Good safe practice and caution **MUST** be applied when installing, operating and maintaining any appliance.

Maximum benefits and enjoyment are achieved when all the Safety and Operating Instructions are understood and practiced as a routine with your laundering tasks.

**Save these instructions
for future reference.**

Tools and materials needed for installation:



Adjustable
wrench

OR



3/8" or 10 mm
box wrench

OR



Ratchet and
socket set

AND



Adjustable
pliers

AND



Carpenter's level

INSTALLATION REQUIREMENTS

Electrical system requirements

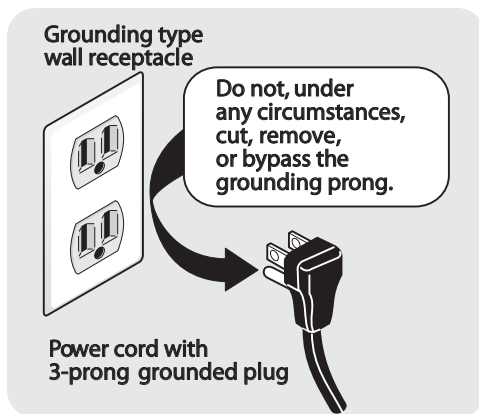
CIRCUIT - Individual, properly polarized and grounded 15 amp. branch circuit fused with 15 amp. time delay fuse or circuit breaker.

POWER SUPPLY - 2 wire, with ground, 120 volt single phase, 60 Hz, Alternating Current.

NOTE

Because of potentially inconsistent voltage capabilities, the use of this washer with power created by gas powered generators, solar powered generators, wind powered generators or any other generator other than the local utility company is not recommended.

OUTLET RECEPTACLE - Properly grounded 3-prong receptacle to be located so the power supply cord is accessible when the washer is in an installed position.



NOTE

GFI (Ground Fault Interrupter) receptacle is not required.

Ground requirements

WARNING

ELECTRICAL SHOCK HAZARD

Improper connection of the equipment grounding conductor can result in a risk of electrical shock. Check with a licensed electrician if you are in doubt as to whether the appliance is properly grounded.

- 1 The washer **MUST** be grounded. In the event of malfunction or breakdown, grounding will reduce the risk of electrical shock by a path of least resistance for electrical current.
- 2 Since your washer is equipped with a power supply

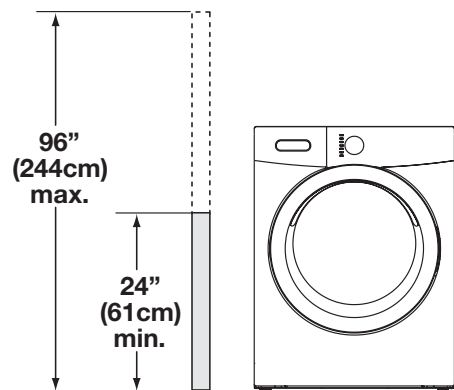
cord having an equipment-grounding conductor and a grounding plug, the plug **MUST** be plugged into an appropriate, copper wired receptacle that is properly installed and grounded in accordance with all local codes and ordinances or in the absence of local codes, with the National Electrical Codes, ANSI/NFPA 70 (latest edition). If in doubt, call a licensed electrician. **DO NOT** cut off or alter the grounding prong on the power supply cord. In situations where a two-slot receptacle is present, it is the owner's responsibility to have a licensed electrician replace it with a properly grounded three prong grounding type receptacle.

Water supply requirements

Hot and cold water faucets **MUST** be installed within 42 inches (107 cm) of your washer's water inlet. The faucets **MUST** be 3/4 inch (1.9 cm) with threading for laundry hose connection. Water pressure **MUST** be between 30 and 120 psi. Pressure difference between hot and cold cannot be more than 10 psi. Your water department can advise you of your water pressure.

Drain system requirements

- 1 Drain capable of eliminating 17 gals (64.3 L) per minute.
- 2 A standpipe diameter of 1-1/4 in. (3.18 cm) minimum.
- 3 The standpipe height above the floor should be:
Minimum height: 24 in. (61 cm)
Maximum height: 96 in. (244 cm)



NOTE

Drain hose attached to the washer can reach a 74 in. (188 cm) high standpipe. For higher standpipe, use hose P/N 137098000, available from an authorized parts distributor.

INSTALLATION REQUIREMENTS

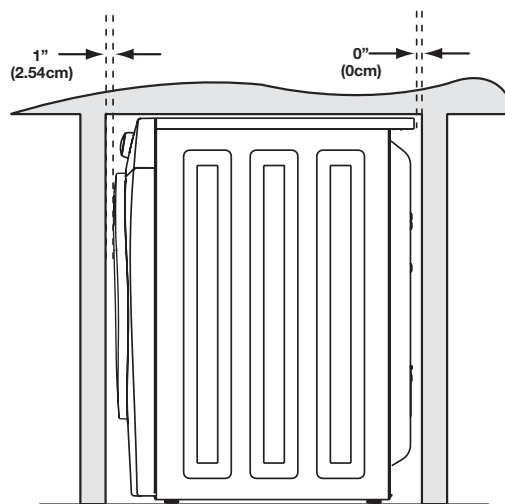
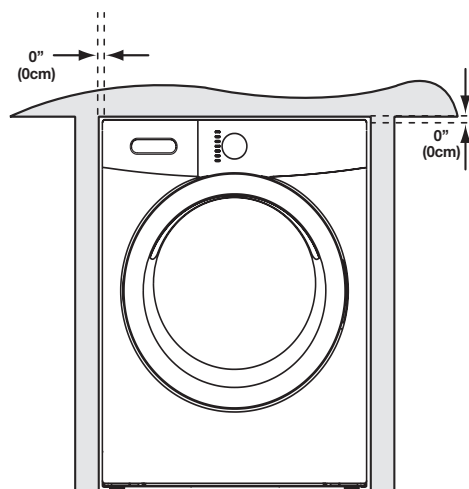
Clearance requirements

➔ IMPORTANT

DO NOT INSTALL YOUR WASHER:

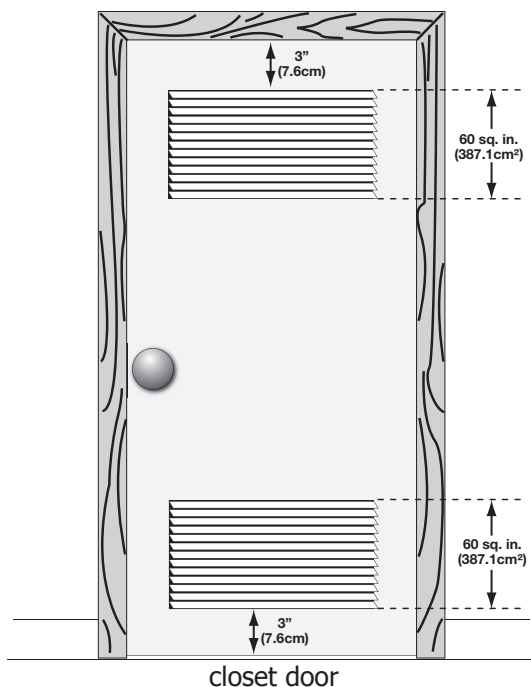
- 1 In an area exposed to dripping water or outside weather conditions. The ambient temperature should never be below 60° F (15.6° C) to maximize detergent effectiveness.
- 2 In an area (garage or garage-type building) where gasoline or other flammables (including automobiles) are kept or stored.
- 3 On carpet. Floor **MUST** be solid with a maximum slope of 1 inch (2.54 cm). To minimize vibration or movement, reinforcement of the floor may be necessary.

MINIMUM INSTALLATION CLEARANCES - Inches (cm)				
	SIDES	REAR	TOP	FRONT
Alcove	0" (0 cm)	0" (0 cm)*	0" (0 cm)	n/a
Under-Counter	0" (0 cm)	0" (0 cm)*	0" (0 cm)	n/a
Closet	0" (0 cm)	0" (0 cm)*	0" (0 cm)	1" (2.54 cm)

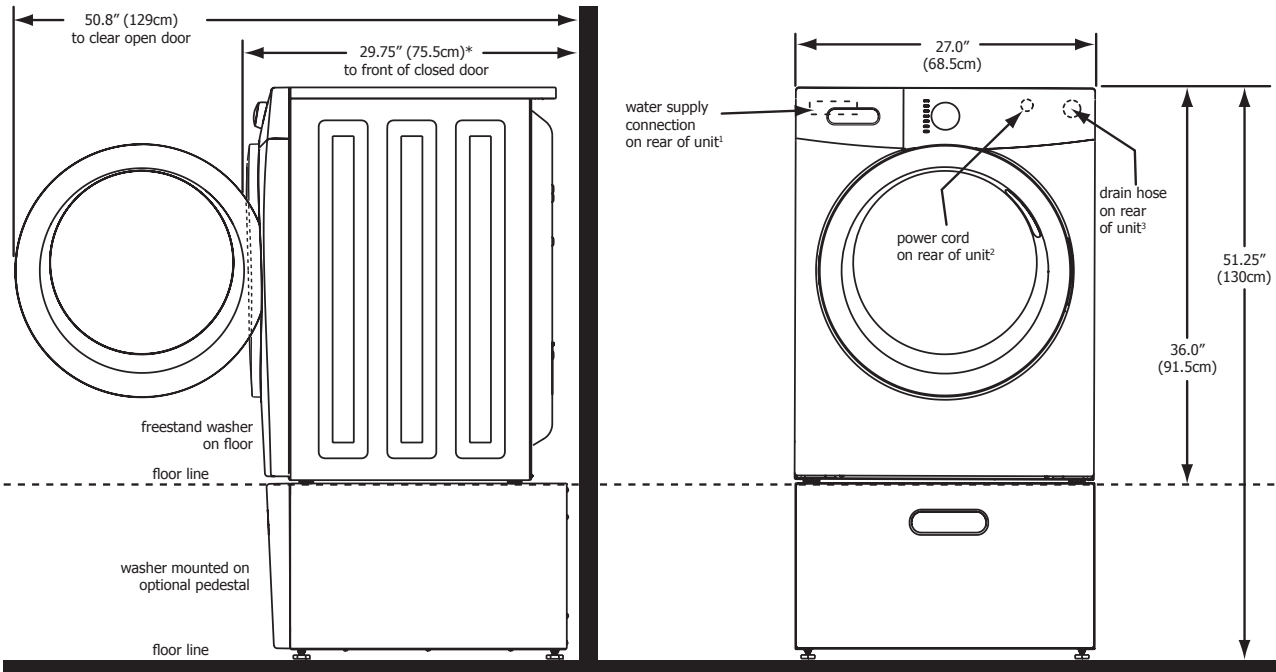


Installation in a Recess or Closet

If washer and dryer are installed in the same closet, door ventilation is required: A minimum of 120 square inches (774.2 cm²) of opening, equally divided at the top and bottom of the door, is required. Louvered openings should be located 3 inches (7.6 cm) from bottom and top of door. Air openings are required to be unobstructed when a door is installed. A louvered door with equivalent air openings for the full length of the door is acceptable.



INSTALLED WASHER DIMENSIONS

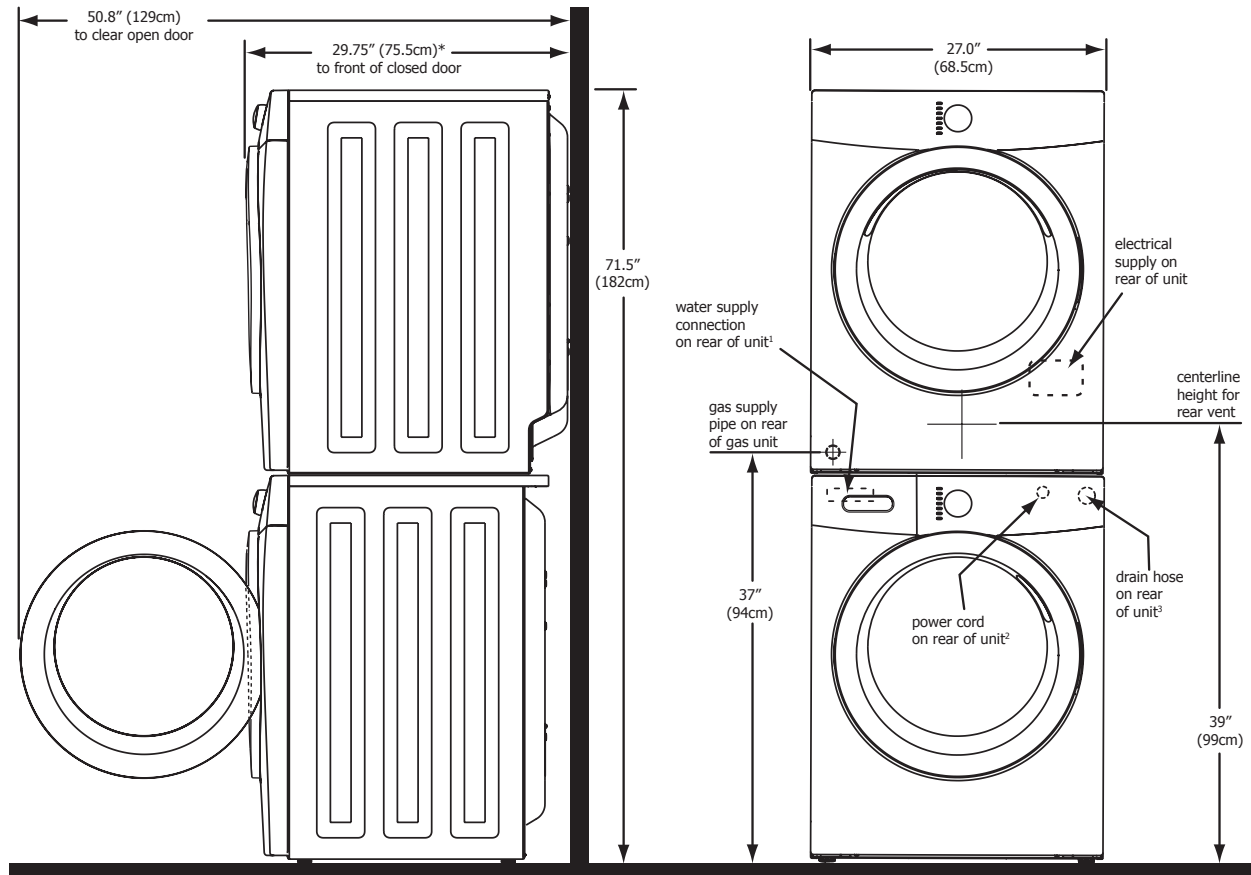


* To obtain these minimal depth dimensions, dryer must be vented straight back. Using a quick-turn 90° elbow (right or down on freestanding dryer) adds approximately 0.75 in. (2.0 cm) to installation depth. Upward venting of exhaust on pedestal-mounted or freestanding dryer adds approximately 4 in. (10.2 cm) to installation depth. Leftward venting on pedestal-mounted or freestanding dryer adds approximately 3.75 in. (9.5 cm) to installation depth. Downward venting of exhaust on pedestal-mounted dryer adds approximately 2.25 in. (5.7 cm) to installation depth.

¹Hot and cold inlet hose length approximately 43 inches (109cm)

²Power supply cord length approximately 60 inches (152.5cm).

³Drain hose length approximately 52 inches (132cm).



* To obtain these minimal depth dimensions, dryer must be vented straight back. Using a quick-turn 90° elbow (right) adds approximately 0.75 in. (2 cm) to installation depth. Upward venting of exhaust on stacked dryer adds approximately 4 in. (10.2 cm) to installation depth. Downward venting of exhaust on stacked dryer adds approximately 2.25 in. (6.5 cm) to installation depth. Leftward venting of exhaust on stacked dryer adds approximately 3.75 in. (9.5 cm) to installation depth.

¹Hot and cold inlet hose length approximately 43 inches (109cm)

²Power supply cord length approximately 60 inches (152.5cm).

³Drain hose length approximately 52 inches (132cm).

Removing foam packaging

WARNING

SUFFOCATION HAZARD

Destroy the carton and plastic bags after the washer is unpacked. Children might use them for play. Cartons covered with rugs, bedspreads, or plastic sheets can become airtight chambers causing suffocation. Place all materials in a garbage container or make materials inaccessible to children.

- 1 Temporarily remove door tape.
- 2 Open washer door and remove everything from the drum.
- 3 Close door and reapply door tape.
- 4 Using a rug, blanket or piece of cardboard to protect the floor, carefully lay the washer on it's back.

CAUTION

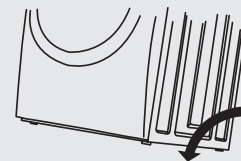
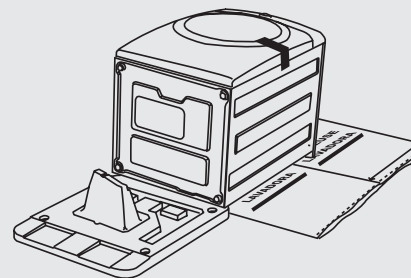
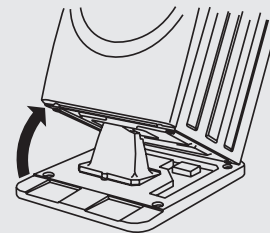
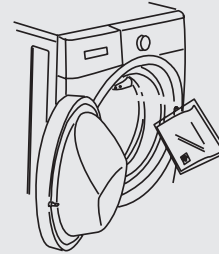
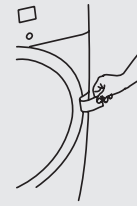
EXCESSIVE WEIGHT HAZARD

To avoid back or other injury, have more than one person move or lift the washer.

- 5 Remove styrofoam base and shipping plug and set them aside.
- 6 Carefully return the washer to an upright position.
- 7 Carefully move the washer to within 4 feet (1 m) of its final location.

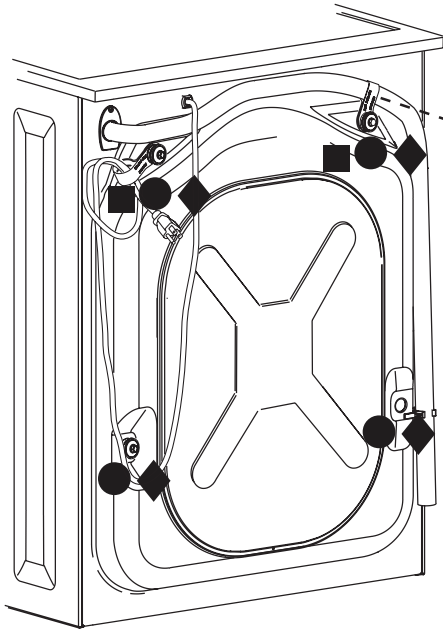
IMPORTANT

Save styrofoam base and shipping plug for use to help prevent washer damage during any future moves.



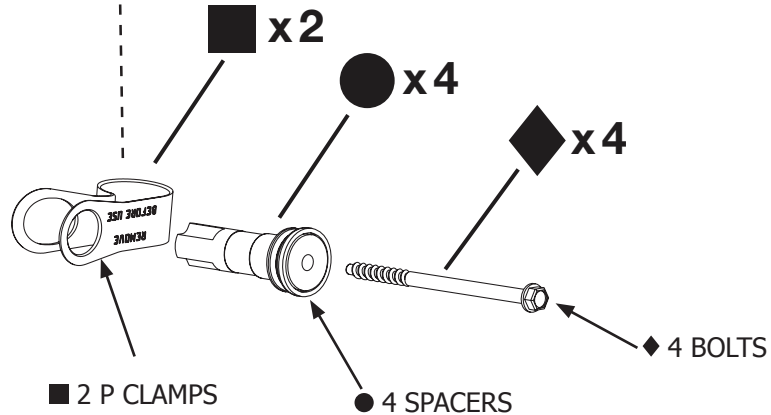
UNPACKING WASHER

Removing shipping hardware



NOTE

Rubber expansion material on spacers may need time to relax before they can be easily pulled through shipping hole.



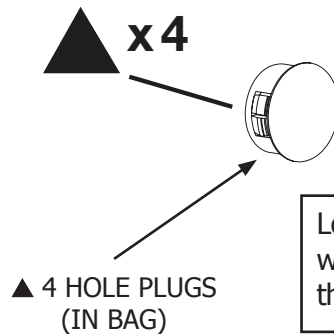
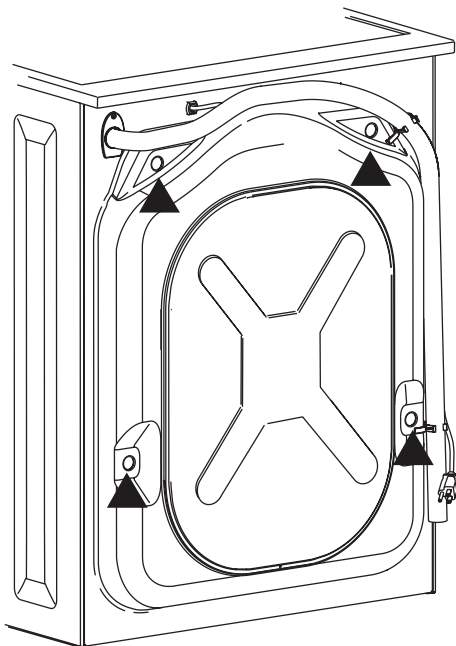
Remove all of the following:

- ◆ 4 BOLTS
- 4 SPACERS
- 2 P CLAMPS

IMPORTANT

Save all shipping bolts and spacers for future use. If the washer is to be transported at a later date, the shipping hardware must be reinstalled to help prevent shipping damage.

Installing hole plugs



Locate 4 hole plugs in the small bag supplied with washer instruction guides. Insert them in the holes in washer back panel.

INSTALLATION INSTRUCTIONS

Leveling your washer

Excessive noise and vibration can be prevented by properly leveling the washer.

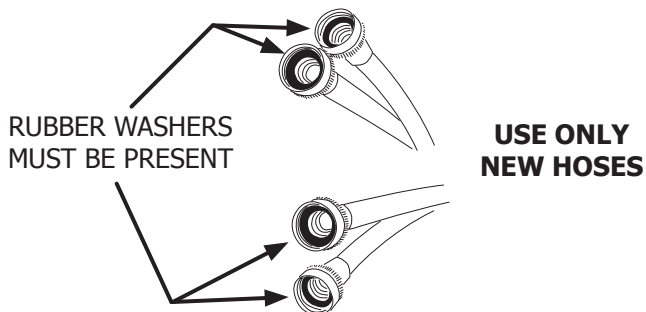
- 1 For free standing installation and with the washer within 4 feet (1 m) of its final location, place a level on top of the washer.
- 2 Use adjustable pliers to adjust the leveling legs so the washer is level front-to-rear and side-to-side, and stable corner-to-corner.
- 3 Press down on alternate corners and sides and feel for the slightest movement. Adjust the appropriate leg(s) so the washer sits solidly on the floor on ALL four legs. Keep the leveling leg extension at a minimum for best performance of the washer.

NOTE

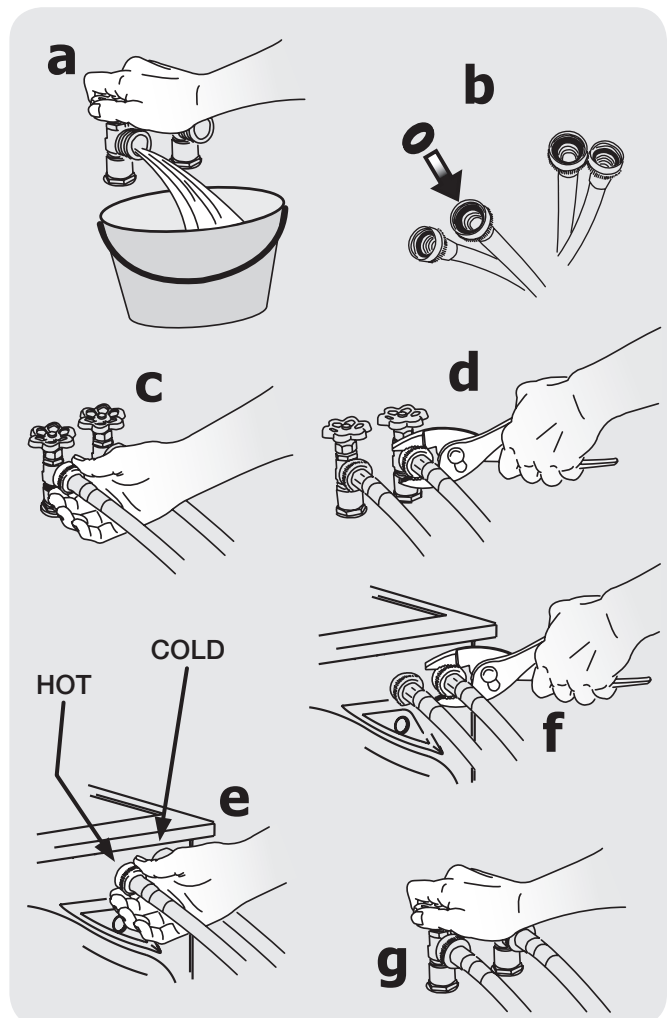
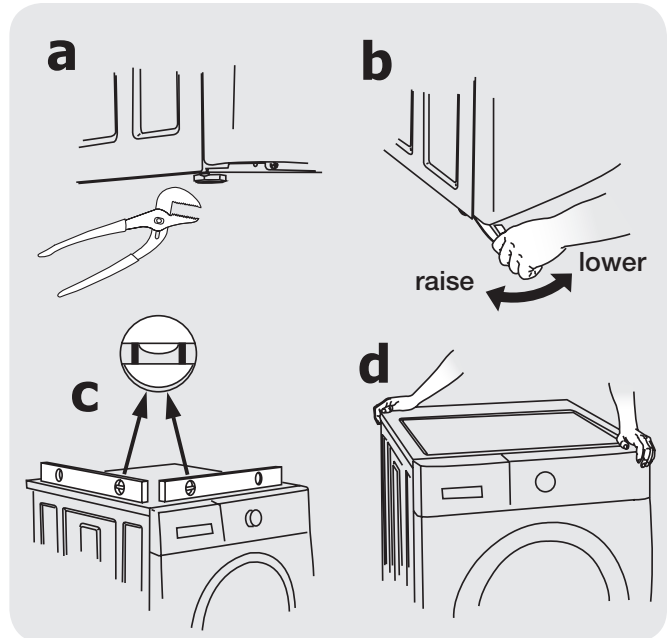
For pedestal installations, see additional installation instructions included with the pedestal.

Connecting inlet water

- 1 Run some water from the hot and cold faucets to flush the water lines and remove particles that might clog the water valve screens and to determine which faucet is hot and which is cold supply.
- 2 Remove the inlet hoses and rubber washers from the plastic bag located in the drum of the washer and install the rubber washers in each end of the inlet hoses.



- 3 Connect the HOT inlet hose to the HOT inlet connection on the washer and the COLD inlet hose to the COLD inlet connection on the washer. Tighten by hand until snug. Then tighten each supply connection another 2/3 turn with pliers. **Do not cross thread or over-tighten these connections.**
- 4 Connect the HOT inlet hose to the HOT water supply and the COLD inlet hose to the COLD water supply. Tighten by hand until snug. Then tighten each supply connection another 2/3 turn with pliers.
- 5 Turn on the water and check for leaks.



INSTALLATION INSTRUCTIONS

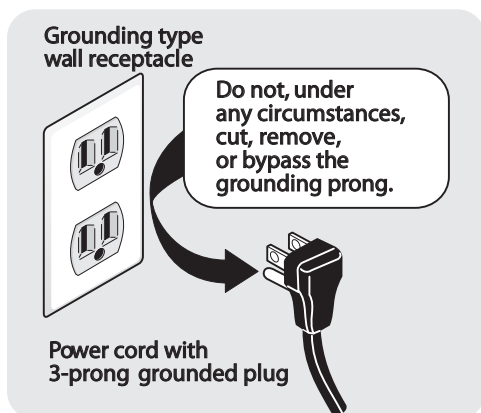
Connecting drain and electrical

- 1 Snap one end of the drain hose hanger (shipped in washer drum) onto the drain hose. Continue wrapping it around the hanger and snap it in place.
- 2 Place the hook end of the drain hose in the drain opening. Secure the drain hose with the cable tie (provided in the enclosure package) to the standpipe, inlet hose, laundry tub, etc. so the hose does not pull out from the force of the water.

➔ IMPORTANT

Check to ensure the power is off at a circuit breaker/fuse box before plugging the power cord into an outlet.

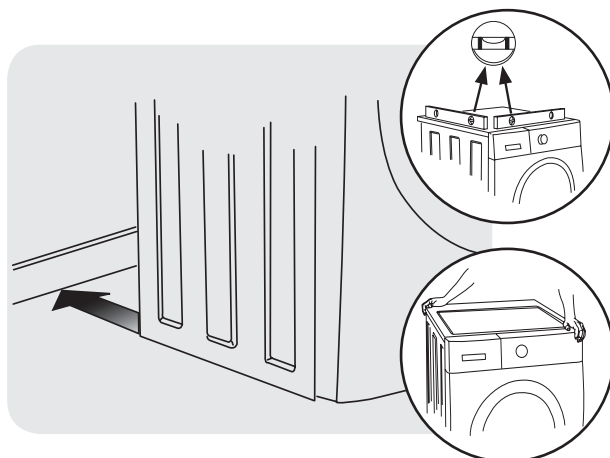
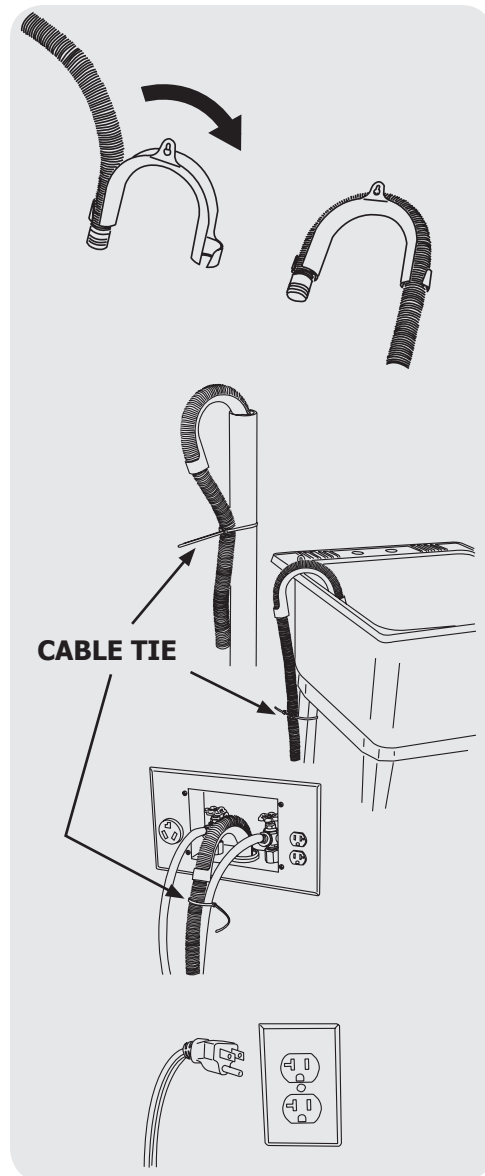
- 3 Plug the power cord into a grounded outlet.



- 4 Turn on the power at a circuit breaker/fuse box.
- 5 Carefully slide the washer to its final position. Recheck for level and rock corners for stability. Remove and discard door tape.
- 6 Read the Use & Care Guide provided with the washer. It contains valuable and helpful information that will save you time and money.
- 7 If you have any questions during initial operation, please review the "Service Prevention Checklist" in your Use & Care Guide before calling for service.
- 8 Place these instructions in a location near the washer for future reference.

📌 NOTE

A wiring diagram and technical data sheet are located under the washer top panel, on top of the detergent dispenser housing.



MATCHING STORAGE PEDESTAL

White Pedestal - P/N APWD15

Black Pedestal - P/N APWD15E

Classic Red Pedestal - P/N APWD15R

A storage pedestal accessory, specifically designed for this washer may be used to elevate the washer for ease of use. This pedestal will add about 15" (38 cm) to the height of your unit for a total height of 51.25" (130 cm).

DRYER STACKING KIT

P/N 134700600

Depending on the model you purchased, a kit for stacking a matching dryer on top of this washer may have been included in the initial purchase of your dryer. If your model did not include a stacking kit or you desire another stacking kit, you may order one.

DRAIN HOSE EXTENSION KIT

P/N 137098000

In order to reach standpipe heights or distances beyond the reach of the drain hose supplied, order the DRAIN HOSE EXTENSION KIT.

MOBILE HOME INSTALLATION KIT

P/N 137067200

Installation in a mobile home requires the use of a MOBILE HOME INSTALLATION KIT.

UNIVERSAL APPLIANCE WRENCH

P/N 137019200

A UNIVERSAL APPLIANCE WRENCH is available to aid in dryer/washer/pedestal feet adjustment.

TOUCH UP PAINT PENS

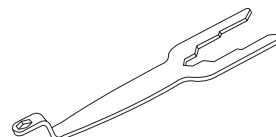
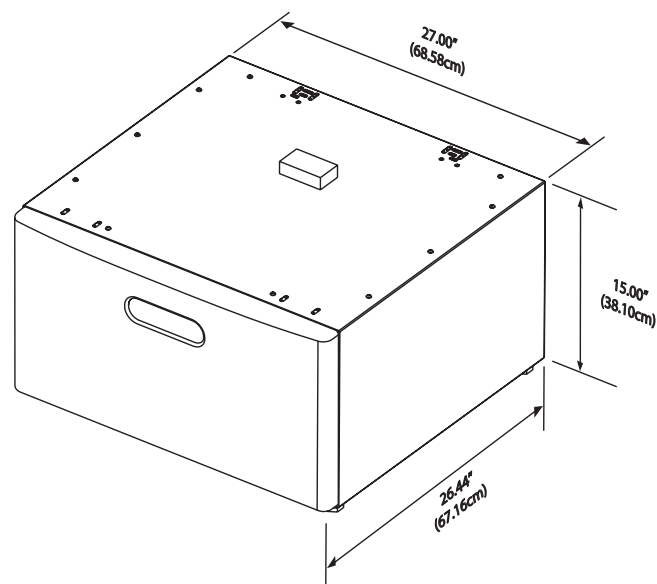
White Touch Up Pen - P/N 5304468812

Black Touch Up Pen - P/N 5304458932

Classic Red Touch Up Pen - P/N 5304471227

CAUTION

Failure to use accessories manufactured by (or approved by) the manufacturer could result in personal injury, property damage or damage to the washer.



Replacement parts: 1-800-944-9044 (in Canada 1-800-265-8352)

If replacements parts are needed for your washer, contact the source where you purchased your washer, call 1-800-944-9044 (in Canada 1-800-265-8352), or visit our website, www.frigidaire.com, for the Frigidaire Authorized Parts Distributor nearest you.

WARNING

ELECTRICAL SHOCK HAZARD

Label all wires prior to disconnection when servicing controls. Wiring errors can cause improper and dangerous operation. Verify proper operation after servicing.

FRIGIDAIRE

Tout à propos de

Installation

de votre Laveuse



TABLE DES MATIÈRES

Mesures de sécurité importantes	14-15	Déballage de la laveuse	19-20
Exigences d'installation	16-17	Instructions d'installation	21-22
Dimensions, appareil installé	18	Accessoires	23

MESURES DE SÉCURITÉ IMPORTANTES


AVERTISSEMENT

Veillez lire ces instructions au complet avant d'utiliser le laveuse.

Sachez reconnaître les symboles, les avertissements et les étiquettes de sécurité.

Les mesures de sécurité présentées dans ce guide sont identifiées par le mot AVERTISSEMENT ou ATTENTION selon le type de risque présenté ci-dessous.

Définitions

 Voici le symbole d'avertissement concernant la sécurité. Il est utilisé pour vous avertir des risques de blessures potentiels. Respectez tous les messages qui suivent ce symbole afin de prévenir les blessures ou la mort.

DANGER

La mention DANGER indique un risque imminent qui causera la mort ou de graves blessures, s'il n'est pas évité.

AVERTISSEMENT

La mention AVERTISSEMENT indique une situation potentiellement dangereuse qui, si elle n'est pas évitée, pourrait entraîner des blessures graves ou même la mort.

ATTENTION

La mention ATTENTION signale la présence d'une situation potentiellement dangereuse susceptible de causer des blessures mineures ou moyennement graves si elle n'est pas évitée.

IMPORTANT

IMPORTANT - Cette mention précède des renseignements importants relatifs à l'installation, au fonctionnement ou à l'entretien. Toutefois, ceux-ci n'impliquent aucune notion de danger.

Liste de vérification d'installation

Matériel d'expédition

- Le support d'expédition en mousse (sous la cuve de lavage) a été enlevé et remis
- Les boulons d'expédition situés à l'arrière de l'appareil ont été enlevés et remis
- Les bouchons (inclus dans le sac situé dans la cuve) ont été insérés dans les trous situés dans la paroi arrière de la laveuse

Mise à niveau

- La laveuse est au niveau latéralement et de l'avant vers l'arrière
- Les quatre coins de la caisse reposent fermement sur le plancher

Alimentation en eau

- Les rondelles en caoutchouc (inclus dans la cuve) sont installées dans les tuyaux d'alimentation NEUFS (inclus dans la cuve)
- Le tuyau d'entrée d'eau CHAUDE est raccordé au robinet d'eau CHAUDE et le tuyau d'entrée d'eau FROIDE est raccordé au robinet d'eau FROIDE
- Les robinets d'eau CHAUDE et d'eau FROIDE sont ouverts
- Les raccords d'alimentation en eau ou les raccords d'arrivée d'eau de l'appareil ne présentent aucune fuite - refaites une vérification 24 heures plus tard

Tuyau de vidange

- La colonne montante ou le drain de mur est à une hauteur d'au moins 61 cm (24 po)
- Le tuyau de vidange est fixé dans le canal en « U » (inclus dans la cuve)
- Le tuyau de vidange est fixé avec l'attache (incluse dans la cuve)

Alimentation en électricité

- Le système électrique de la maison est sous tension
- La laveuse est branchée

Vérifications finales

- Vous avez lu entièrement les **instructions d'installation** et le **Guide d'utilisation et d'entretien**
- La porte se verrouille et l'eau entre dans la cuve lorsqu'un cycle démarre
- La carte d'enregistrement est envoyée

MESURES DE SÉCURITÉ IMPORTANTES

REMARQUE

L'installation électrique de la laveuse doit être conforme aux codes et aux règlements locaux ainsi qu'à la toute dernière édition du National Electrical Code (ANSI/NFPA 70), ou au Canada, au Code canadien de l'électricité (C22.1, article 1).

AVERTISSEMENT

RISQUE D'ÉTOUFFEMENT

Détruisez le carton d'emballage et les sacs en plastique après avoir déballé l'appareil. Les enfants pourraient les utiliser pour jouer. Le carton recouvert de tapis, les couvertures et les feuilles de plastique peuvent être étanches à l'air et provoquer la suffocation. Déposez tous les matériaux d'emballage dans un conteneur à déchets ou faites en sorte que les enfants ne puissent y avoir accès.

ATTENTION

DANGER DE POIDS EXCESSIF

Pour éviter les blessures au dos ou d'autres types de blessure, demandez l'aide d'autres personnes pour déplacer ou soulever la laveuse.

AVERTISSEMENT

RISQUE D'INCENDIE

Pour votre sécurité, l'information contenue dans ces instructions doit être suivie afin de réduire les risques d'incendie ou d'explosion ou pour prévenir les dommages matériels, les blessures ou la mort. Vous ne devez ni entreposer, ni utiliser d'essence ou d'autres vapeurs ou liquides inflammables à proximité de cet appareil ou de tout autre appareil électroménager.

QUE FAIRE SI VOUS DÉTECTEZ UNE ODEUR DE GAZ :

- Ne mettez pas d'appareil en marche.
- Ne touchez à aucun commutateur électrique; n'utilisez aucun téléphone de votre domicile.
- Évacuez la pièce, le bâtiment ou la zone touchée.
- En utilisant le téléphone d'un voisin, appelez immédiatement le fournisseur de gaz. Suivez ses instructions.
- Si vous ne pouvez joindre votre fournisseur de gaz, appelez les pompiers.

IMPORTANT

Les instructions comprises dans ce guide et toute autre documentation fournie avec cet appareil ne sont pas conçues pour couvrir toutes les éventualités ou situations qui pourraient survenir. Vous DEVEZ faire preuve de bon sens et de prudence durant l'installation, l'utilisation et l'entretien de tout appareil ménager.

Vous tirerez le maximum de votre appareil lorsque toutes les instructions relatives à la sécurité et à son fonctionnement auront été bien assimilées et mises en pratique de façon routinière.

Conservez ces instructions pour vous y reporter ultérieurement.

Outils et matériel nécessaires à l'installation :



EXIGENCES D'INSTALLATION

Exigences des systèmes électriques

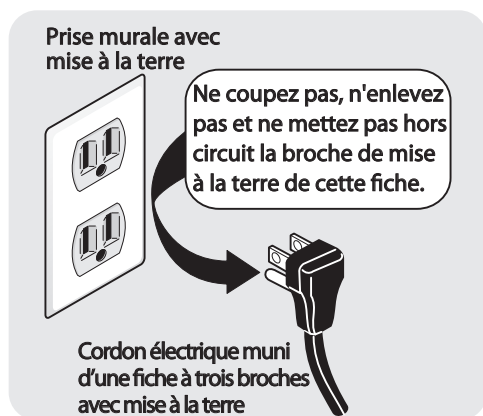
CIRCUIT - Circuit indépendant de 15 ampères, polarisé et mis à la terre, avec fusible temporisé ou disjoncteur de 15 A.

ALIMENTATION ÉLECTRIQUE - Câble monophasé à deux fils mis à la terre, 120 volts, 60 Hz; courant alternatif.

REMARQUE

Étant donné les variations de tension possibles, l'utilisation de cette laveuse avec une source d'alimentation produite par une génératrice à essence, solaire ou éolienne ou par toute autre source d'alimentation différente de celle fournie par les services publics n'est pas recommandée.

PRISE - Prise à trois alvéoles et mise à la terre située à un endroit où il est possible de raccorder le cordon d'alimentation de la laveuse une fois que cette dernière est installée.



REMARQUE

Une prise GFI (disjoncteur de fuite de terre) n'est pas nécessaire.

Exigences relatives à la mise à la terre

AVERTISSEMENT

RISQUE DE CHOC ÉLECTRIQUE

Un raccordement inadéquat du conducteur de terre de l'équipement peut accroître les risques de choc électrique. En cas de doute quant à la mise à la terre de l'appareil, consultez un électricien qualifié.

- 1 Cet appareil DOIT être mis à la terre. En cas de mauvais fonctionnement ou de panne, la mise à la terre diminue les risques de choc électrique en fournissant au courant électrique une trajectoire de moindre résistance.
- 2 Étant donné que votre laveuse est équipée d'un

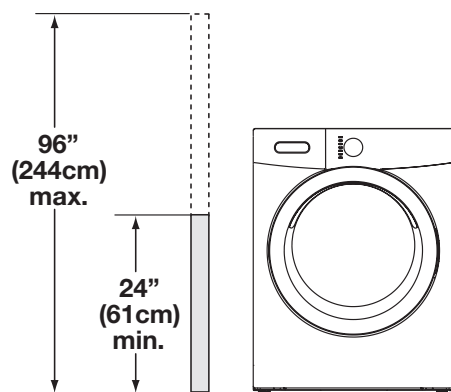
cordon d'alimentation pourvu d'un conducteur de mise à la terre et d'une fiche de mise à la terre, la fiche DOIT être raccordée à une prise appropriée (avec conducteurs en cuivre) correctement installée et mise à la terre conformément aux codes et règlements locaux ou, si aucun code local ne régit ce type d'installation, à la plus récente édition du National Electrical Code (ANSI/NFPA 70). En cas de doute, faites appel à un électricien qualifié. **NE COUPEZ PAS** et **NE MODIFIEZ PAS** la broche de mise à la terre du cordon d'alimentation. Si votre prise murale n'est pourvue que de deux fentes, il incombe au propriétaire de faire appel à un électricien qualifié pour la remplacer par une prise à trois alvéoles et mise à la terre de façon adéquate.

Exigences relatives à l'alimentation en eau

Les robinets d'eau chaude et d'eau froide DOIVENT être installés à une distance de 107 cm (42 po) ou moins de l'arrivée d'eau de votre laveuse. Les robinets DOIVENT être de 1,9 cm (3/4 po) et filetés en fonction d'un raccordement de tuyau de laveuse. La pression de l'eau DOIT se situer entre 206,8 et 827,4 kPa (30 et 120 lb/po²). La différence de pression entre l'eau chaude et l'eau froide ne doit pas dépasser 68,9 kPa (10 lb/po²). Le service des eaux de votre localité peut vous informer sur la pression de votre alimentation en eau.

Exigences relatives au système d'évacuation

- 1 Le drain doit pouvoir évacuer 64,3 L (17 gal) d'eau à la minute.
- 2 Tuyau d'évacuation d'au moins 3,18 cm (1-1/4 po) de diamètre.
- 3 Le tuyau d'évacuation doit être situé entre une hauteur minimale de 61 cm (24 po) et une hauteur maximale de 244 cm (96 po)



REMARQUE

Le tuyau de vidange raccordé à la laveuse peut convenir à un tuyau d'évacuation de 188 cm (74 po) de hauteur. Pour des tuyaux d'évacuation plus hauts, utilisez le tuyau portant le numéro de pièce 137098000 que vous pouvez obtenir auprès d'un distributeur de pièces autorisé.

Exigences de dégagement

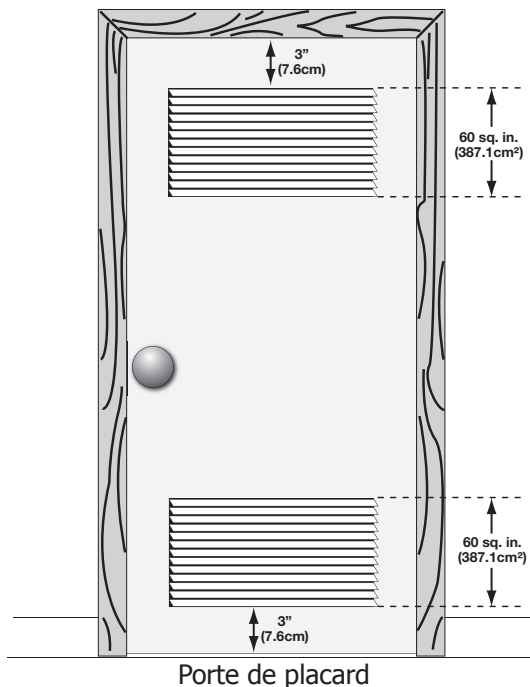
➔ IMPORTANT

N'INSTALLEZ PAS VOTRE LAVEUSE :

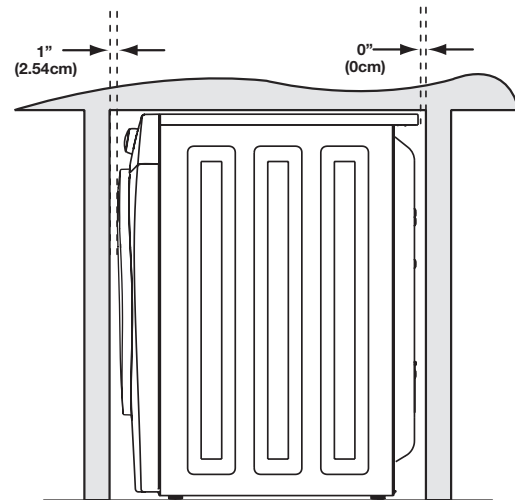
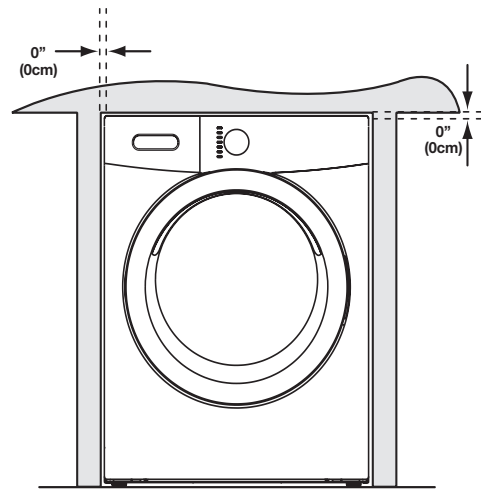
- 1 À un endroit exposé aux écoulements d'eau ou aux aléas des conditions météorologiques extérieures. La température ambiante ne devrait jamais tomber sous 15,6 °C (60 °F) afin d'optimiser l'efficacité du détergent.
- 2 À un endroit (garage ou bâtiment similaire) où de l'essence ou d'autres substances inflammables sont entreposées (incluant des automobiles).
- 3 Sur un tapis. Le plancher DOIT être solide et présenter une pente inférieure à 2,54 cm (1 po). Afin d'éviter les vibrations et le déplacement de l'appareil, il peut être nécessaire de renforcer le plancher.

Installation dans un Endroit en Retrait ou une Armoire

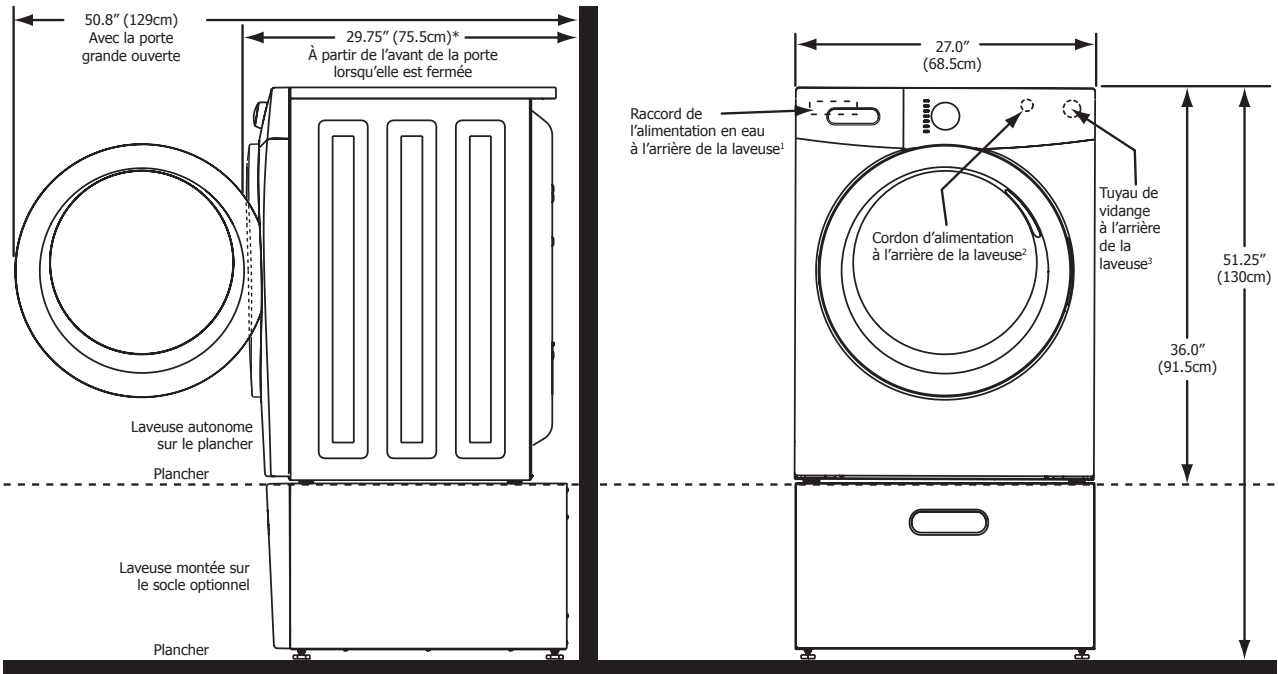
Si la laveuse et la sècheuse sont installées dans le même placard, une ventilation est requise dans la porte : Une ouverture d'au moins 774,2 cm² (120 po²), divisée également au-dessus et au-dessous de la porte, est requise. Les ouvertures à persiennes doivent être situées à 7,6 cm (3 po) du haut et du bas de la porte. Les ouvertures d'aération ne doivent pas être obstruées lorsqu'une porte est installée. Une porte à persiennes dont les ouvertures sur l'ensemble de la porte sont équivalentes aux recommandations peut être utilisée.



DÉGAGEMENTS MINIMAUX - Centimètres (pouces)				
	CÔTÉS	ARRIÈRE	DESSUS	AVANT
Alcôve	0 cm (0 po)	0 cm (0 po)*	0 cm (0 po)	s. o.
Sous le comptoir	0 cm (0 po)	0 cm (0 po)*	0 cm (0 po)	s. o.
Placard	0 cm (0 po)	0 cm (0 po)*	0 cm (0 po)	2,54 cm (1 po)



DIMENSIONS, APPAREIL INSTALLÉ

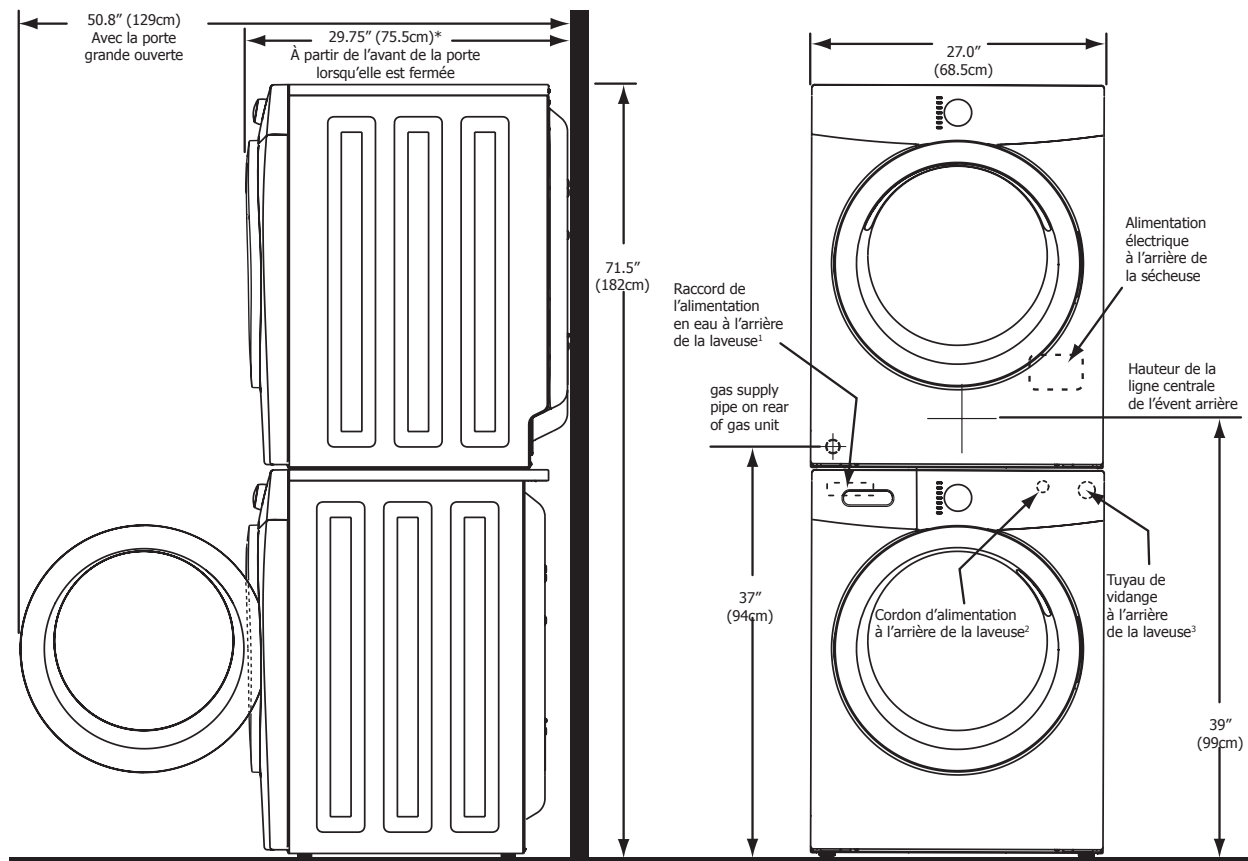


* Pour obtenir ces dimensions de profondeur minimales, la sécheuse doit être ventilée tout droit par l'arrière. L'utilisation d'un coude à 90° à courbe immédiate (vers la droite ou vers le bas sur une sécheuse autonome) nécessite environ 2 cm (0.75 po) de profondeur de plus pour l'installation. Les sécheuses montées sur un socle ou autonomes munies d'un système d'évacuation de l'air vers le haut requièrent environ 10.2 cm (4 po) de profondeur de plus pour l'installation. Les sécheuses montées sur un socle ou autonomes munies d'un système d'évacuation de l'air vers la gauche nécessitent environ 3.75 cm (1.5 po) de profondeur de plus pour l'installation. Les sécheuses montées sur un socle munies d'un système d'évacuation de l'air vers le bas requièrent environ 5.7 cm (2.25 po) de profondeur de plus pour l'installation.

¹Longueur des tuyaux d'entrée d'eau chaude et froide, environ 109 cm (43 po).

²Longueur du cordon d'alimentation, environ 152,5 cm (60 po).

³Longueur de tuyau de vidange, environ 132 cm (52 po).



* Pour obtenir ces dimensions de profondeur minimales, la sécheuse doit être ventilée tout droit par l'arrière. L'utilisation d'un coude à 90° à courbe immédiate (vers la droite ou vers le bas sur une sécheuse autonome) nécessite environ 2 cm (0.75 po) de profondeur de plus pour l'installation. Les sécheuses montées sur un socle ou autonomes munies d'un système d'évacuation de l'air vers le haut requièrent environ 10.2 cm (4 po) de profondeur de plus pour l'installation. Les sécheuses montées sur un socle ou autonomes munies d'un système d'évacuation de l'air vers la gauche nécessitent environ 3.75 cm (1.5 po) de profondeur de plus pour l'installation. Les sécheuses montées sur un socle munies d'un système d'évacuation de l'air vers le bas requièrent environ 5.7 cm (2.25 po) de profondeur de plus pour l'installation.

¹Longueur des tuyaux d'entrée d'eau chaude et froide, environ 109 cm (43 po).

²Longueur du cordon d'alimentation, environ 152,5 cm (60 po).

³Longueur de tuyau de vidange, environ 132 cm (52 po).

Retrait de l'emballage en mousse

AVERTISSEMENT

RISQUE D'ÉTOUFFEMENT

Détruisez le carton d'emballage et les sacs en plastique après avoir déballé l'appareil. Les enfants pourraient les utiliser pour jouer. Le carton recouvert de tapis, les couvertures et les feuilles de plastique peuvent être étanches à l'air et provoquer la suffocation. Déposez tous les matériaux d'emballage dans un conteneur à déchets ou faites en sorte que les enfants ne puissent y avoir accès.

- 1 Retirez temporairement le ruban de la porte.
- 2 Ouvrez la porte de la laveuse et retirez tout ce qui se trouve dans le tambour.
- 3 Fermez la porte et posez le ruban de porte à nouveau.
- 4 Pour protéger le plancher, utilisez un tapis, une couverture ou une pièce de carton et couchez la laveuse sur le côté arrière.

ATTENTION

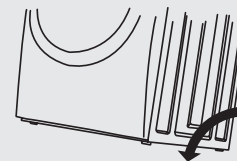
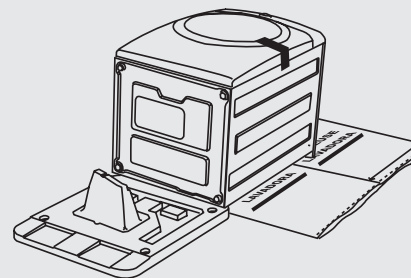
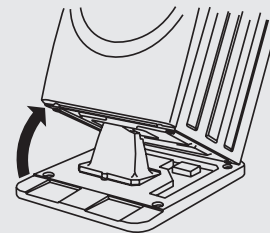
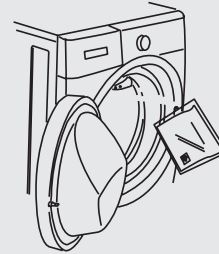
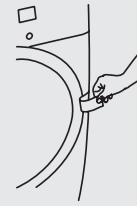
DANGER DE POIDS EXCESSIF

Pour éviter les blessures au dos ou d'autres types de blessure, demandez l'aide d'autres personnes pour déplacer ou soulever la laveuse.

- 5 Retirez la base en styromousse et le bouchon d'expédition; mettez-les de côté.
- 6 Remettez soigneusement la laveuse en position verticale.
- 7 Déplacez soigneusement la laveuse à moins de 1,2 m (4 pi) de son emplacement définitif.

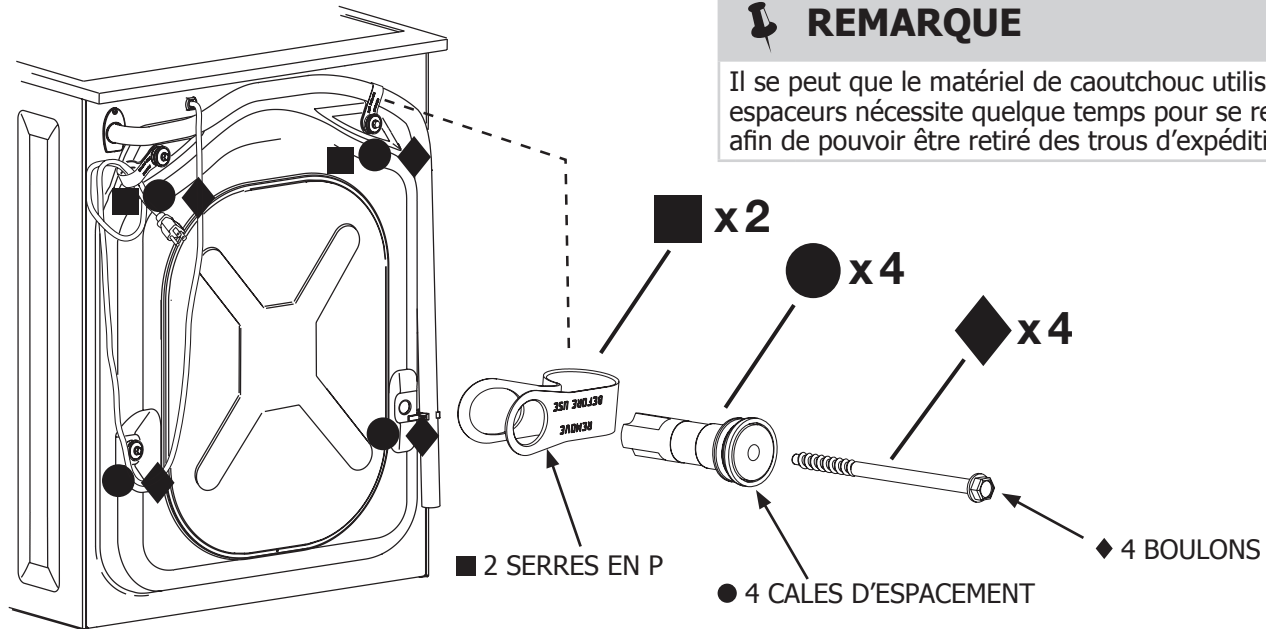
IMPORTANT

Conservez la base en styromousse et le bouchon d'expédition afin d'éviter d'endommager l'appareil dans le cas d'un déplacement éventuel.



DÉBALLAGE DE LA LAVEUSE

Retrait de la quincaillerie d'expédition



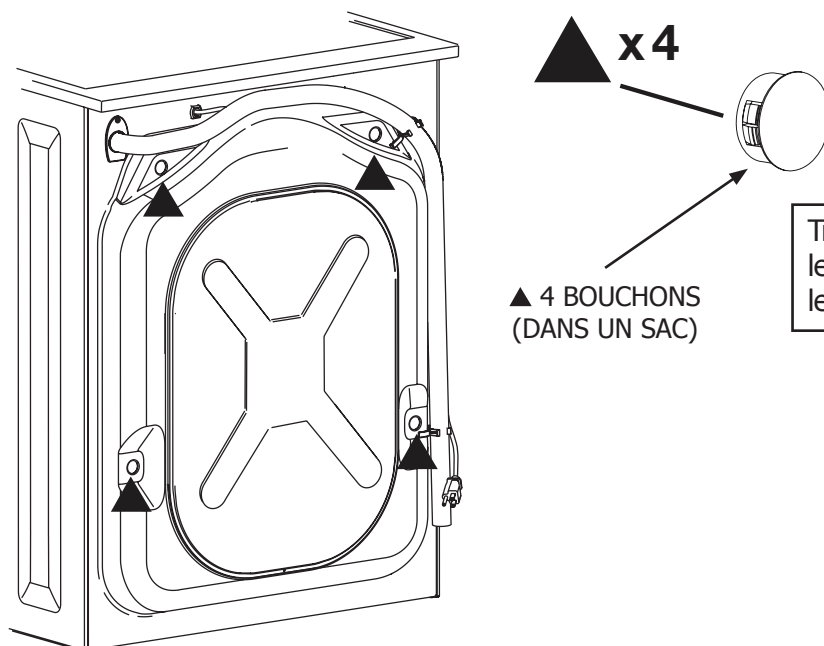
Retirez les composants suivants :

- ◆ 4 BOULONS
- 4 CALES D'ESPACEMENT
- 2 SERRES EN P

➔ IMPORTANT

Conservez les boulons et cales d'espacement d'expédition pour un usage ultérieur. Si la laveuse doit être transportée plus tard, ces pièces d'expédition doivent être installées pour éviter de l'endommager.

Pose des bouchons



▲ 4 BOUCHONS
(DANS UN SAC)

Trouvez les 4 bouchons du petit sac fourni avec les guides de votre laveuse. Insérez-les dans les trous du panneau arrière de la laveuse.

INSTRUCTIONS D'INSTALLATION

Mise à niveau de votre appareil

Les bruits excessifs et les vibrations peuvent être évités en mettant correctement la laveuse à niveau.

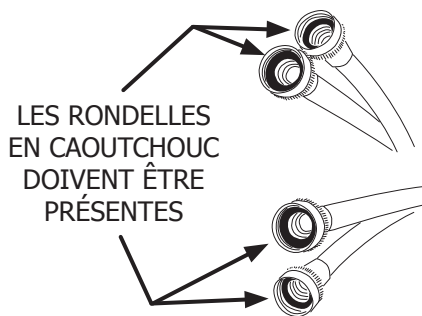
- 1 Pour une installation autonome où la laveuse est à moins de 1,2 m (4 pi) de son emplacement définitif, placez un niveau sur le dessus de l'appareil.
- 2 Utilisez la clé universelle pour ajuster les pieds de mise à niveau de façon à ce que la laveuse soit de niveau d'avant en arrière et latéralement, et qu'elle soit stable aux quatre coins.
- 3 Appuyez sur chaque coin et chaque côté pour déterminer les endroits qui nécessitent un réglage. Ajustez les pieds de mise à niveau appropriés de manière à ce que la laveuse repose solidement sur ses QUATRE pieds. Gardez les pieds de mise à niveau le plus près possible de la laveuse afin d'optimiser le rendement de la laveuse.

REMARQUE

Pour une installation sur socle, reportez-vous aux instructions d'installation complémentaires incluses avec le socle.

Branchement de l'entrée d'eau

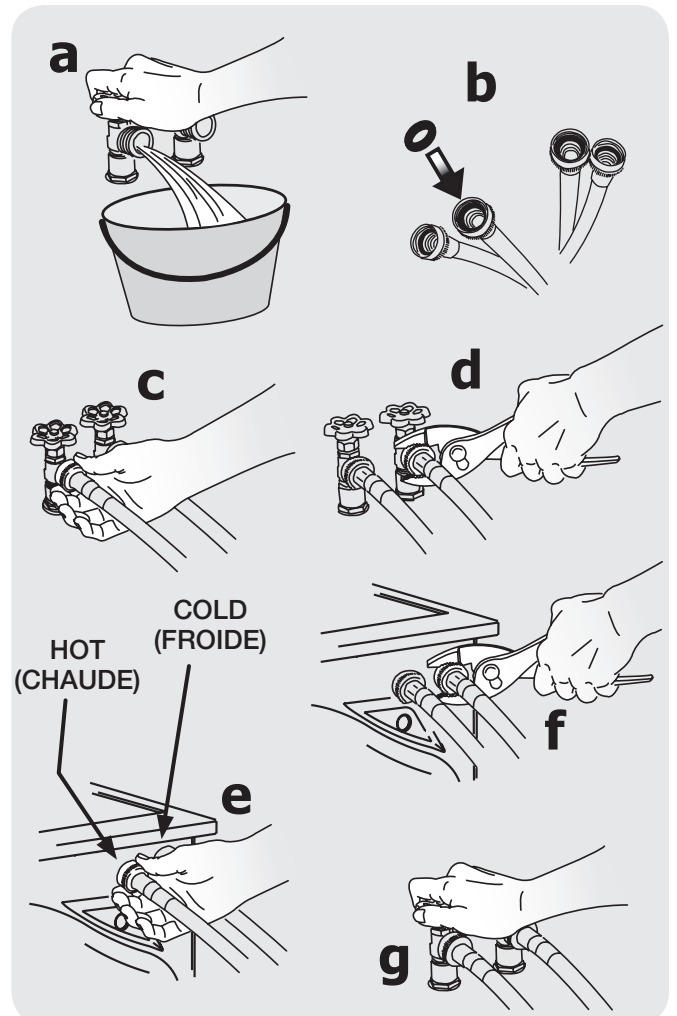
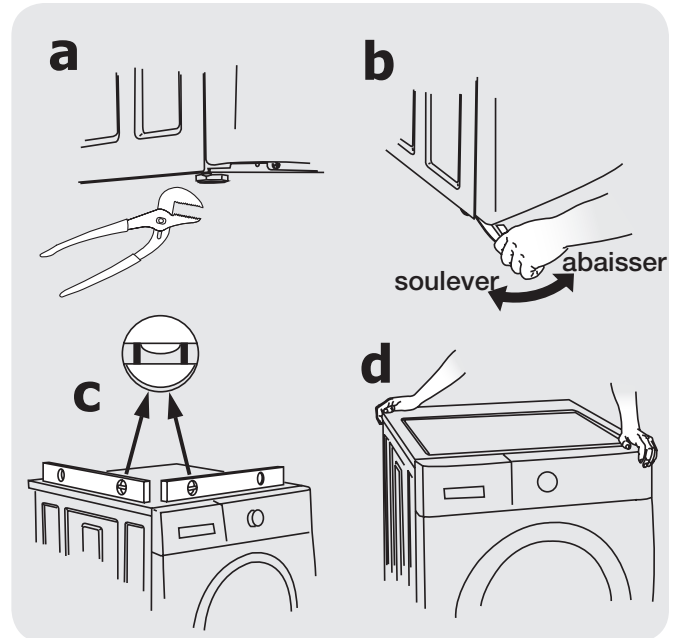
- 1 Faites couler de l'eau chaude et froide des robinets pour purger les tuyaux d'eau, pour éliminer toute particule qui pourrait obstruer les grillages des robinets, et pour déterminer quels robinets fournissent l'eau chaude et l'eau froide.
- 2 Enlevez du sac en plastique les tuyaux d'arrivée et les rondelles caoutchouc installez les rondelles à chaque extrémité.



LES RONDELLES EN CAOUTCHOUC DOIVENT ÊTRE PRÉSENTES

UTILISEZ SEULEMENT LES NOUVEAUX TUYAU D'ENTRÉE D'EAU

- 3 Raccordez le tuyau d'entrée d'eau CHAUDE au raccord pour l'eau CHAUDE de la laveuse et le tuyau d'entrée d'eau FROIDE au raccord pour l'eau FROIDE de la laveuse. Serrez fermement à la main. Avec des pinces, serrez chaque raccord de 2/3 de tour. **Ne faussez pas le filetage et ne serrez pas trop.**
- 4 Branchez le tuyau d'entrée d'eau CHAUDE au robinet d'eau CHAUDE, et le tuyau d'eau d'entrée d'eau FROIDE au robinet d'eau FROIDE. Serrez fermement à la main. Avec des pinces, serrez chaque raccord de 2/3 de tour.
- 5 Ouvrir les robinets et s'assurer qu'il n'y a pas de fuite.



INSTRUCTIONS D'INSTALLATION

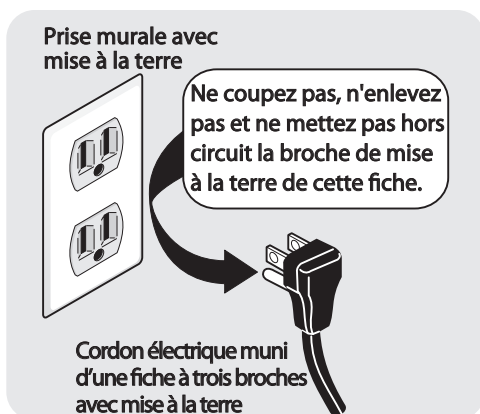
Branchement électrique et branchement du tuyau de vidange

- 1 Fixez l'une des extrémités du crochet du tuyau de vidange (inclus dans la cuve) au tuyau de vidange. Continuez de l'enrouler autour du crochet et pincez-le en position.
- 2 Placez le côté du tuyau de vidange en forme de crochet dans l'ouverture du tuyau d'évacuation. Fixez le tuyau de vidange au moyen d'une attache (incluse dans la trousse d'installation fournie) au tuyau d'évacuation, au tuyau d'entrée, à la cuve à lessive, etc. de façon à ce que le tuyau ne puisse être arraché sous la force de l'eau.

➔ IMPORTANT

Assurez-vous que l'alimentation électrique est coupée au disjoncteur ou au boîtier de fusibles avant de brancher le cordon d'alimentation dans une prise électrique.

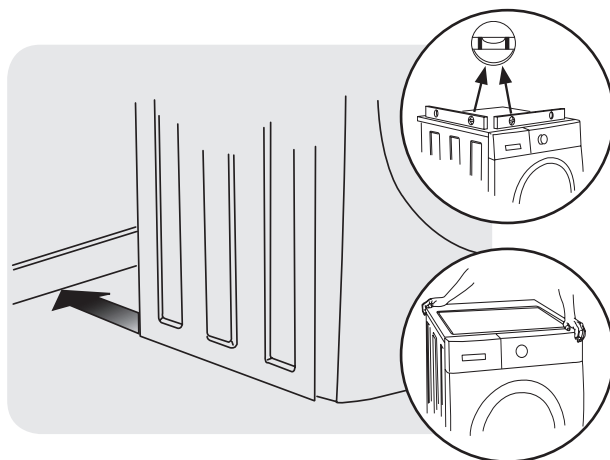
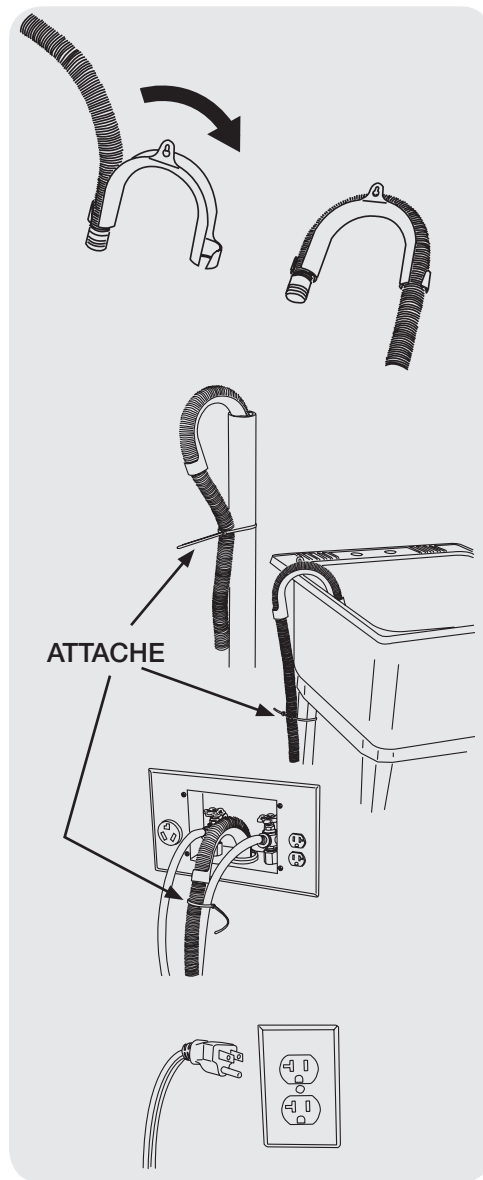
- 3 Branchez le cordon d'alimentation à la prise électrique mise à la terre.



- 4 Ouvrez l'alimentation électrique au disjoncteur ou au boîtier de fusibles.
- 5 Faites glisser soigneusement la laveuse à son emplacement définitif. Vérifiez à nouveau la stabilité de l'appareil. Retirez et jetez le ruban de la porte.
- 6 Reportez-vous au Guide d'utilisation et d'entretien fourni avec la laveuse. Il contient des renseignements très utiles qui vous permettent d'économiser temps et argent.
- 7 Pour toute question relative à l'utilisation initiale, veuillez revoir la section intitulée « Liste de vérification avant service » de votre Guide d'utilisation et d'entretien avant d'effectuer une demande de service.
- 8 Laissez ces instructions à proximité de la laveuse pour vous y reporter ultérieurement.

📌 REMARQUE

Un schéma électrique et une fiche technique sont situés sous le panneau supérieur de la laveuse, au-dessus du logement de distributeur de détergent.



SOCLE DE RANGEMENT ASSORTI

Socle Blanc - PIÈCE N° APWD15

Socle Noir - PIÈCE N° APWD15E

Socle Rouge - PIÈCE N° APWD15R

Un socle de rangement, conçu expressément pour cette laveuse, peut être utilisé afin de soulever votre appareil, facilitant ainsi son utilisation. Le socle ajoute environ 38 cm (15 po) à votre laveuse, pour une hauteur totale de 130 cm (51.25 po).

NÉCESSAIRE DE SUPERPOSITION DE SÈCHEUSE

PIÈCE N° 134700600

Selon le modèle que vous avez acheté, il se peut qu'un nécessaire pour superposer cette sècheuse sur une laveuse assortie ait été inclus dans l'achat initial de votre sècheuse. Si votre modèle ne comprenait pas de nécessaire de superposition ou que vous en désirez un autre, il vous est possible d'en commander un.

NÉCESSAIRE DE RALLONGE DE TUYAU DE VIDANGE

PIÈCE N° 137098000

Pour atteindre un tuyau d'évacuation qui est trop haut ou trop loin pour la longueur de tuyau fournie, commandez le NÉCESSAIRE DE RALLONGE DE TUYAU DE VIDANGE.

TROUSSE D'INSTALLATION DE MAISON MOBILE

PIÈCE N° 137067200

Toute installation dans une maison mobile nécessite l'utilisation d'une TROUSSE D'INSTALLATION DE MAISON MOBILE.

CLÉ D'APPAREIL UNIVERSELLE

PIÈCE N° 137019200

UNE CLÉ D'APPAREIL UNIVERSELLE est offerte pour faciliter le réglage des pieds de sècheuse/laveuse/socle.

CRAYONS DE PEINTURE DE RETOUCHE

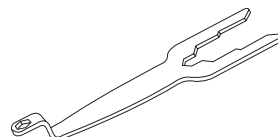
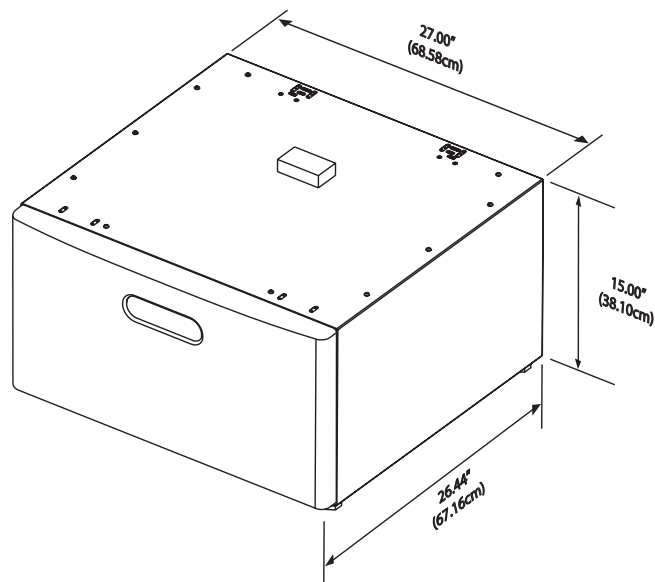
Crayon de retouche Blanc - PIÈCE N° 5304468812

Crayon de retouche Noir - PIÈCE N° 5304458932

Crayon de retouche Rouge - PIÈCE N° P/N 5304471227

ATTENTION

Tout défaut d'utiliser les accessoires fabriqués ou certifiés par le fabricant pourrait entraîner des blessures, des dommages aux biens ou à la laveuse.



Pièces de rechange : 1-800-944-9044 (au Canada 1-800-265-8352)

Si vous devez commander des pièces de rechange pour votre laveuse, communiquez avec le marchand qui vous a vendu votre appareil, composez le 1-800-944-9044 (au Canada 1-800-265-8352), ou visitez notre site Web à l'adresse www.frigidaire.com, pour connaître le distributeur de pièces autorisé Frigidaire le plus près de chez vous.

AVERTISSEMENT

RISQUE ÉLECTRIQUE

Étiquetez tous les fils avant de les débrancher pendant l'entretien des commandes. Des erreurs de câblage pourraient nuire au bon fonctionnement de l'appareil, et même être dangereuses. Vérifiez le bon fonctionnement de l'appareil après tout entretien.

