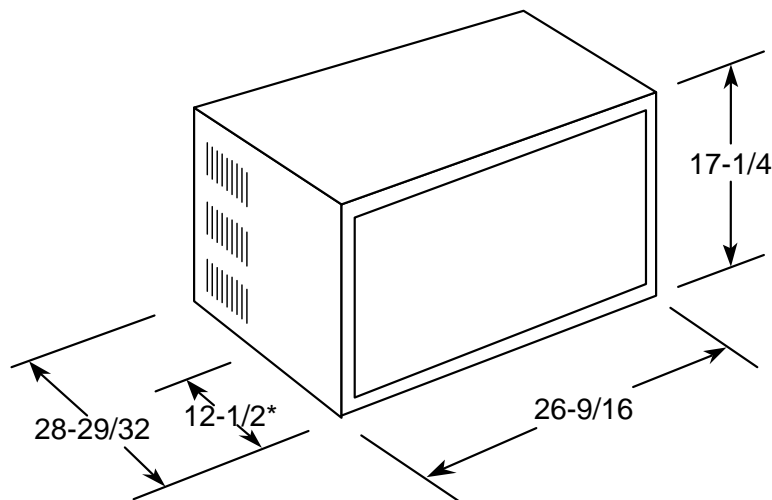




GE Appliances

## ABM24DA - GE Deluxe 230 Volt Room Air Conditioner

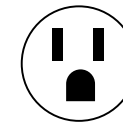
### Wall Case Dimensions (in inches)



\* Distance from front of case to side louvers (excluding grille).

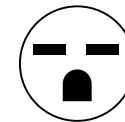
**Note:** When installing units in through-the-wall applications, keep louvers free. Do not restrict air flow areas. Fixed chassis units are not designed for through-the-wall applications.

Parallel



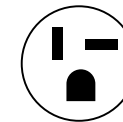
115V  
15 Amp

Tandem



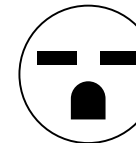
230/208V  
15 Amp

Perpendicular



230/208V  
20 Amp

Large Tandem



230/208V  
30 Amp

**Wall Outlets:** All wiring including installation of receptacle must be made in accordance with local electrical codes and regulations. Electrical outlet should be in reach of line cord.

**Note:** Aluminum wiring may pose special problems—consult a qualified electrician.

Revised 12/98

For answers to your Monogram<sup>®</sup>,  
GE Profile Performance Series,<sup>™</sup>  
GE Profile<sup>™</sup> or GE appliance questions, call  
GE Answer Center<sup>®</sup> service, 800.626.2000.



Total capacity and E.E.R. ratings are calculated based on the Association of Home Appliance Manufacturers' standards.



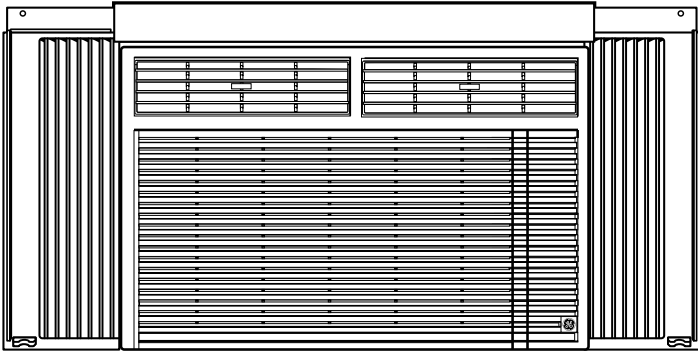
Listed by  
Underwriters  
Laboratories



*GE Appliances*

---

## ABM24DA - GE Deluxe 230 Volt Room Air Conditioner



### Features and Benefits

- Contemporary White Front
- 23,500/23,000 BTUH, 8.7/8.7 EER, 230/208 Volts
- Energy Saver Switch for Reduced Energy Consumption
- 10-Position Thermostat
- 3 Cooling / 1 Fan Speeds
- EZ Mount Window Installation
- Hidden Controls Provide a Clean Contemporary Appearance
- Exhaust for Air Exchange
- Slide-Out Chassis
- Plug Type - Perpendicular