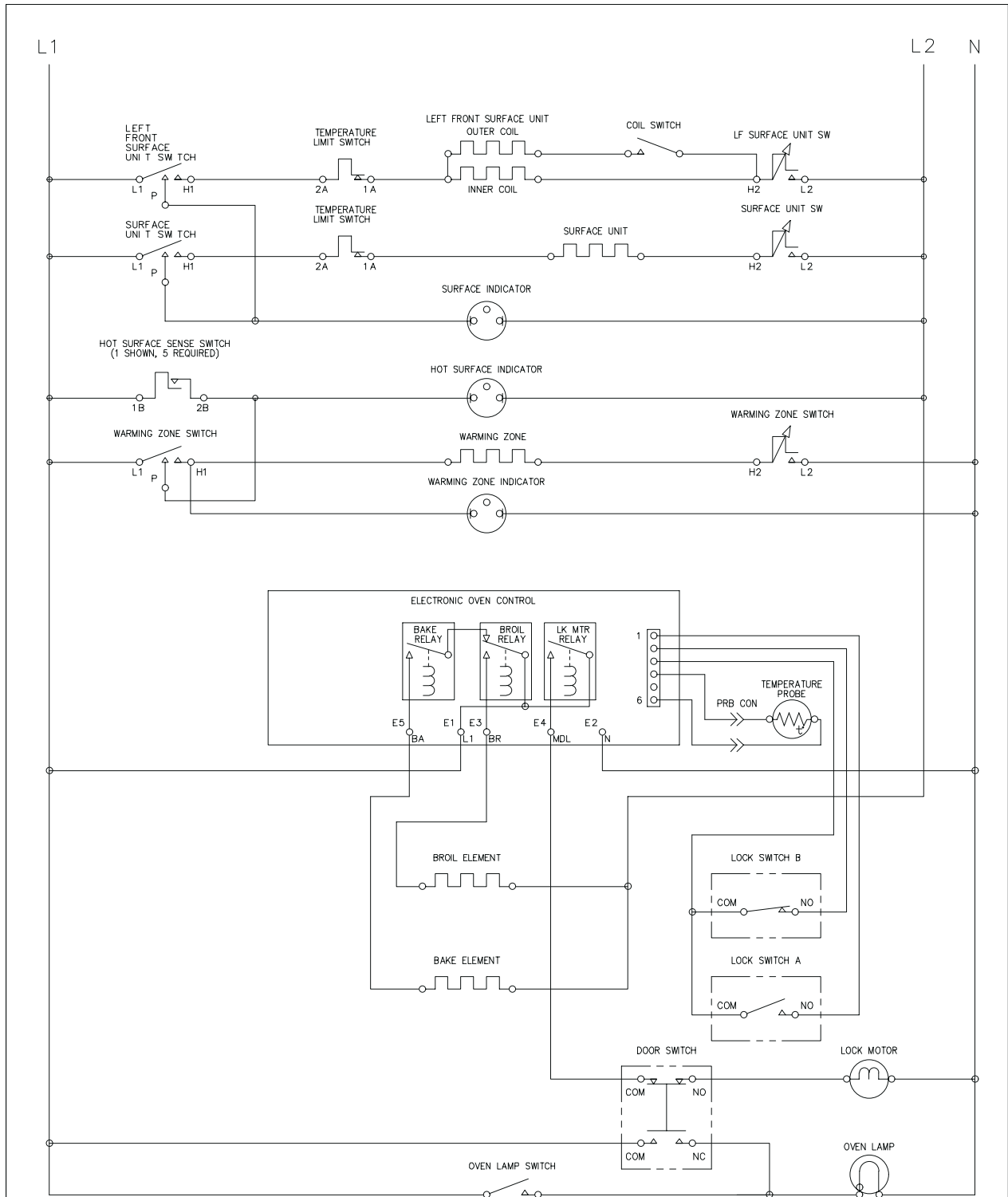


WIRING DIAGRAM



- NOTES:
- CIRCUIT SHOWN WITH ALL CONTROLS SET TO OFF
OVEN DOOR CLOSED AND UNLOCKED.
 - COMPONENTS WITH * DO NOT APPEAR ON ALL MODELS.

316002682

CAM POSI TI ON	LOCK MOTOR SW TCH CONTACTS			
	A COM-NC	A COM-NO	B COM-NC	B COM-NO
UNLOCKED	N/A		N/A	X
LOCKI NG	N/A		N/A	
LOCKED	N/A	X	N/A	
UNLOCKI NG	N/A		N/A	