

Installation Instructions

Dry Enhancement Kit

WD35X10394

February 2013

Dishwasher Dry Performance

Verify proper heater operation, check for error codes in diagnostic error mode, including thermistor and/or wash temperature error codes. Enter service mode to test heater operation. Full directions to enter diagnostic and service mode can be found in service guide **31-9226** or the dishwasher's mini-manual.

If none of the above issues apply, follow all steps in these instructions.

Models:

GDF510P_D0

Parts Included:

This kit includes all parts needed for the above model.

- Main control board WD21X10530
- Vent cover
- Foam strip (black in color)
- Door harness wire tie (may not be needed)
- Installation instructions WD00X1019

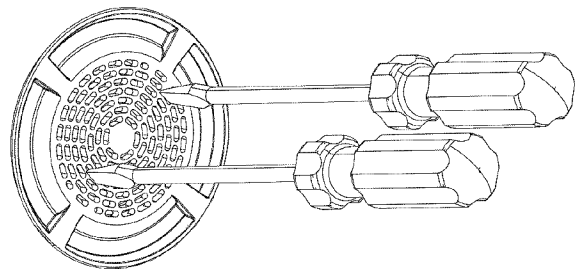
Tools You Will Need:

- 1/4 " Nutdriver
- T15 Torx screwdriver
- Hinge locking tool (see service guide 31-9226)

Step 1 – Remove Power from the Dishwasher

Step 2 – Remove Inner Door Vent Cover

- To remove inner door vent cover, use 2 pocket screw drivers, turn counter clockwise (Consult Service Guide 31-9226 or Mini-manual). Old vent cover should be discarded.



Step 3 – Remove complete Door assembly

- Consult Service Guide 31-9226 or Mini-manual for door removal process.
- A new wire tie for the door wire harness is included in the kit. Should the original tie become damaged, it must be replaced.

Step 4 – Separate the Door

- Consult Service Guide 31-9226 or Mini-manual for door separation process.



Step 5 – Remove Front Control Console

- Remove the front control console from the inner door assembly, consult Service Guide 31–9226 or Mini-manual.

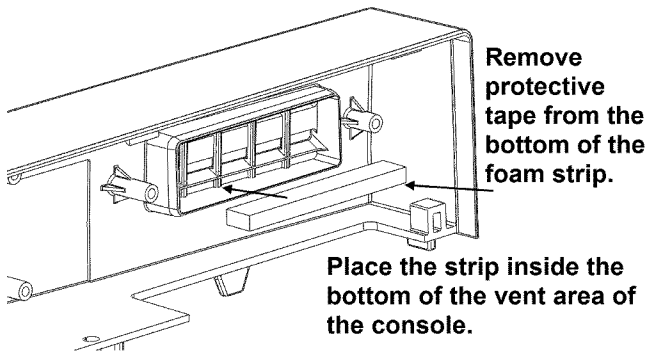
Step 6 – Remove Vent Conduit

- Remove the 2 – T15 Torx screws to remove the vent conduit from the front console.
- Vent conduit can now be removed.

Step 7 – Install Foam Strip

This strip eliminates condensation pooling in the outer vent area and must be installed.

- Make sure the vent area of the front control console is clean and dry.
- Remove the protective paper from the foam strip.
- Place the foam strip on the bottom of the vent area of the console.



Step 8 – Re-assemble Vent Conduit

- Carefully insert the vent conduit back into the vent area of the front control, using care not to damage the newly installed foam strip.
- Reinstall 2 – T15 Trox screws

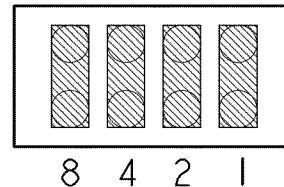
Step 9 – Re-assemble Inner to Outer Door Panels

- Reverse the dis-assembly procedure in the Service Guide or mini-manual, make sure all tabs are aligned and appearance of gaps is correct.

Step 10 – Install new Main Control Board Control

- Details on main control access can be found in either Service Guide 31–9226 or Mini-manual
- Verify correct model personality is set properly, keys/buttons and LED's will not function until appropriate personality is selected.

PERSONALITY



Step 11 – Re-install Door

- Reverse door removal process to re-install the door and connect the door wire harness.

Step 12 – Install new Vent Cover

- Install the new vent cover on the inner door to vent conduit. This new vent cover allows more air flow.

Step 13 – Test Operation

- Re-apply power, verify control and dishwasher operation.