



30" Freestanding Electric Range

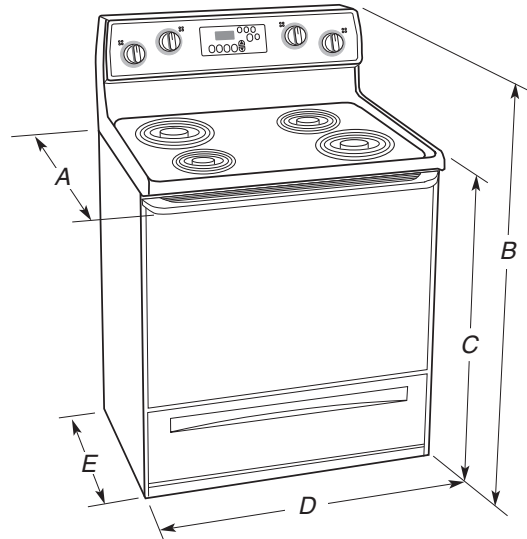
PRODUCT MODEL NUMBERS

TEP315T TES356T
TEP340T

Electrical: This range is manufactured with the neutral terminal connected to the cabinet. Use a 3-wire, UL listed, 40- or 50-amp power supply cord (pigtail). If local codes do not permit ground through the neutral, use a 4-wire power supply cord rated at 250 volts, 40 or 50 amps and investigated for use with ranges. A time-delay fuse or circuit breaker is recommended.

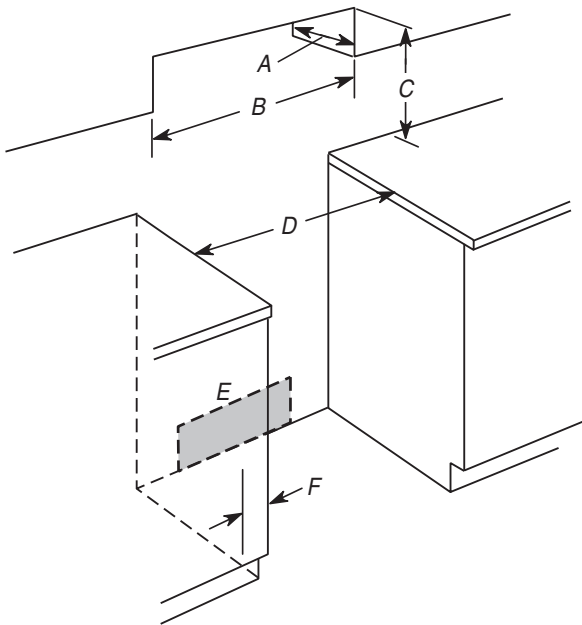
The model/serial rating plate is located on the oven frame behind the storage drawer panel.

OVERALL DIMENSIONS



- A. 27 1/8" (68.9 cm) depth with handle
- B. 46 7/8" (119.1 cm) overall height
- C. 36" (91.4 cm) cooktop height
- D. 29 7/8" (75.9 cm) width
- E. 24 13/16" (63 cm) depth

CABINET OPENING DIMENSIONS



- A. 13" (33 cm) max. upper cabinet depth
- B. 30" (76.2 cm) min. opening width
- C. For minimum clearance to top of cooktop, see NOTE*.
- D. 30" (76.2 cm) min. opening width
- E. Outlet - 8" (20.3 cm) to 22" (55.9 cm) from either cabinet, 5 1/2" (14.0 cm) max. from floor
- F. 7/8" (2.2 cm) min. required between cutout and cabinet door or hinge

***NOTE:** 24" (61 cm) minimum when bottom of wood or metal cabinet is protected by not less than 1/4" (0.64 cm) flame retardant millboard covered with not less than No. 28 MSG sheet steel, 0.015" (0.4 mm) stainless steel, 0.024" (0.6 mm) aluminum or 0.020" (0.5 mm) copper.

30" (76.2 cm) minimum clearance between the top of the cooking platform and the bottom of an unprotected wood or metal cabinet.