

BUILT-IN MICROWAVE OVEN WITH TRIM INSTALLATION INSTRUCTIONS

30" (76.20 cm)

This product is UL listed for use above electric built-in ovens and warming drawers.

This product is not for use below cooktops of any kind.

These installation instructions may cover different models. The appearance of your particular model may differ slightly from the illustration in these installation instructions.

Table of Contents

BUILT-IN MICROWAVE OVEN SAFETY	1
INSTALLATION REQUIREMENTS	2
Tools and Parts	2
Location Requirements	2
Minimum Dimensions	3
Product Dimensions	4
Electrical Requirements	4
INSTALLATION INSTRUCTIONS	5
Install Anti-Tip Bracket	5
Install Mounting Rails	5
Attach Bottom Duct	6
Install the Microwave Oven	7
Install Trim Frame	8
Complete Installation	8
ASSISTANCE	8

BUILT-IN MICROWAVE OVEN SAFETY

Your safety and the safety of others are very important.

We have provided many important safety messages in this manual and on your appliance. Always read and obey all safety messages.



This is the safety alert symbol.

This symbol alerts you to potential hazards that can kill or hurt you and others.

All safety messages will follow the safety alert symbol and either the word "DANGER" or "WARNING."

These words mean:

⚠ DANGER

You can be killed or seriously injured if you don't immediately follow instructions.

⚠ WARNING

You can be killed or seriously injured if you don't follow instructions.

All safety messages will tell you what the potential hazard is, tell you how to reduce the chance of injury, and tell you what can happen if the instructions are not followed.

IMPORTANT: Read Installation Instructions thoroughly before beginning installation. Save Installation Instructions for local electrical inspector's use.

INSTALLATION REQUIREMENTS

Tools and Parts

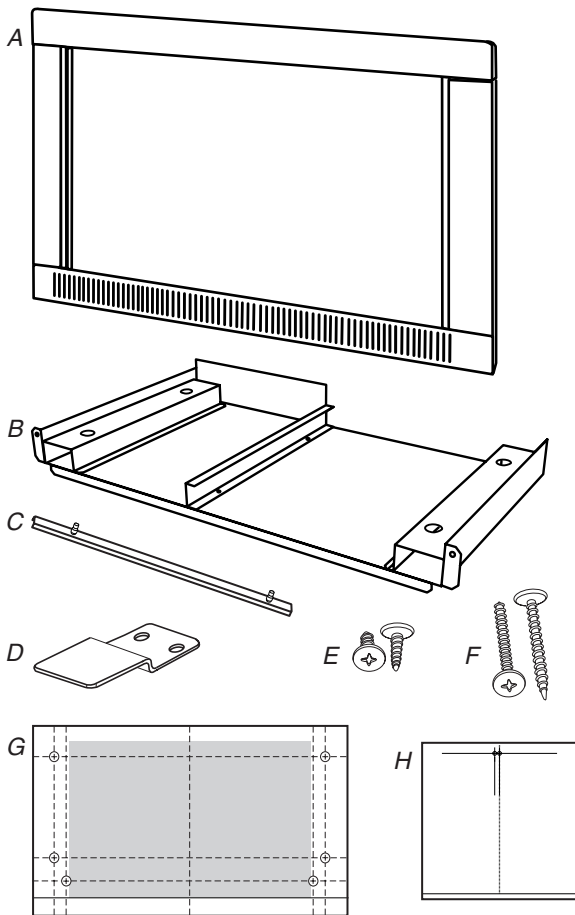
Tools Needed

Gather the required tools and parts before starting installation. Read and follow the instructions provided with any tools listed here.

- Measuring tape
- Pencil
- Masking tape or thumb tacks
- Scissors
- # 2 Phillips screwdriver
- Electric drill
- 5/64" (2 mm) drill bit

Parts Supplied

For reorder information, see "Replacement Parts" section.



- A. Trim frame assembly
- B. Bottom duct
- C. Mounting rails (2)
- D. Anti-tip bracket
- E. 1/2" screws (6) for attaching anti-tip bracket to cutout floor, and attaching bottom duct to microwave oven
- F. 1 1/4" wood screws (6) for attaching mounting rails and bottom duct to cabinet front
- G. Cutout front template for trim placement
- H. Cutout floor template for anti-tip bracket placement

Location Requirements

The microwave oven may be located in a cabinet and/or above a built-in oven, or below a counter. Check the opening where the microwave oven will be installed. The location must provide:

- Wood cabinetry.
- Cutout opening that is plumb and square.
- Cutout floor that is solid, level and flush with bottom of cabinet cutout.
- Support for weight of at least 150 lbs (68 kg), which includes microwave oven and items placed inside.
- Grounded electrical outlet. See "Electrical Requirements" section.
- Minimum installation clearances for installation location. See "Minimum Dimensions" section.

This microwave oven may be installed over the following built-in ovens or warming drawers:

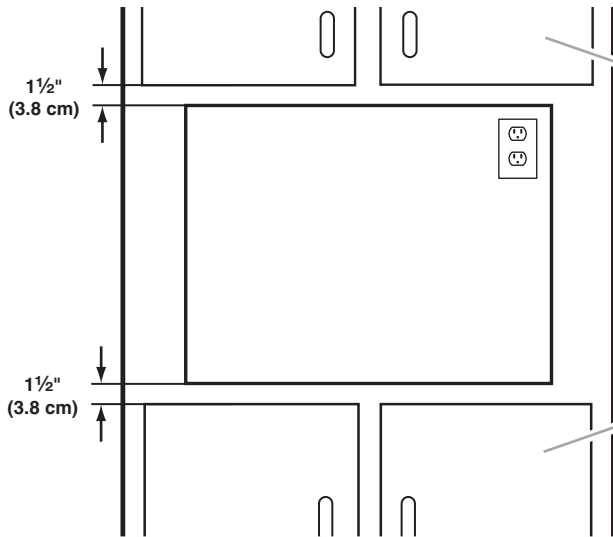
	OVENS	WARMING DRAWERS
30" (76.2 cm)	KEBC107K KEBC101K	KEWD105H
PROLINE 30" (76.2 cm)	KEBV107P	KEWV105M

Minimum Dimensions

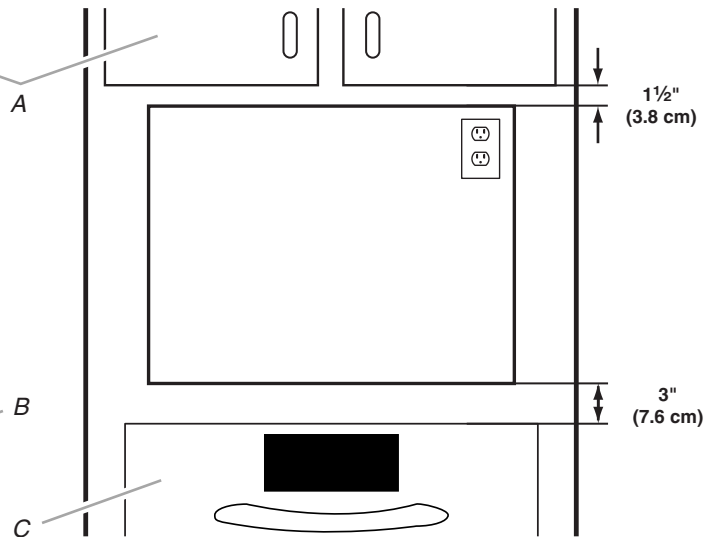
Minimum Installation Clearances

IMPORTANT: For proper installation, the following minimum clearances must exist above and below the cutout opening.

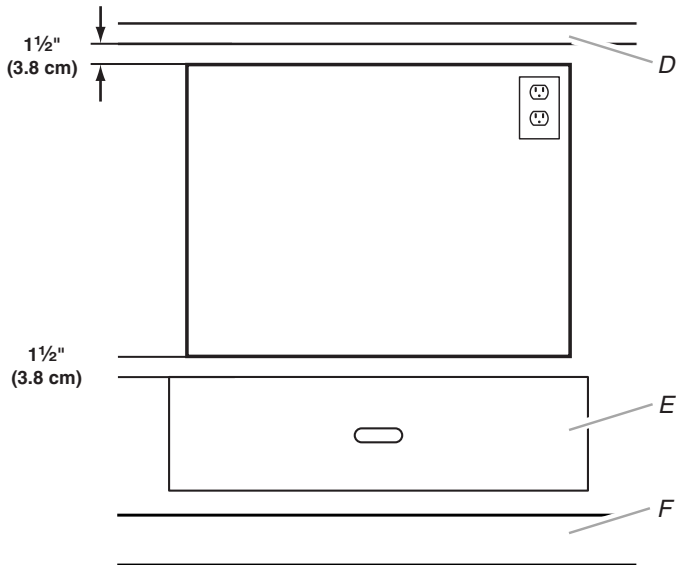
Above Cabinet/Storage Drawer Installation



Above Oven/Warming Drawer Installation

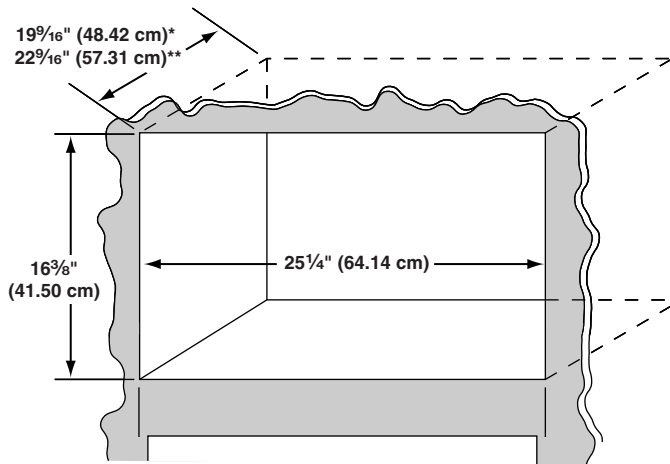


Below Counter Installation



- A. Upper cabinet
- B. Lower cabinet or storage drawer
- C. Lower oven or warming drawer
- D. Counter
- E. Storage drawer
- F. Toe kick

Cutout Dimensions



*With flush receptacle.

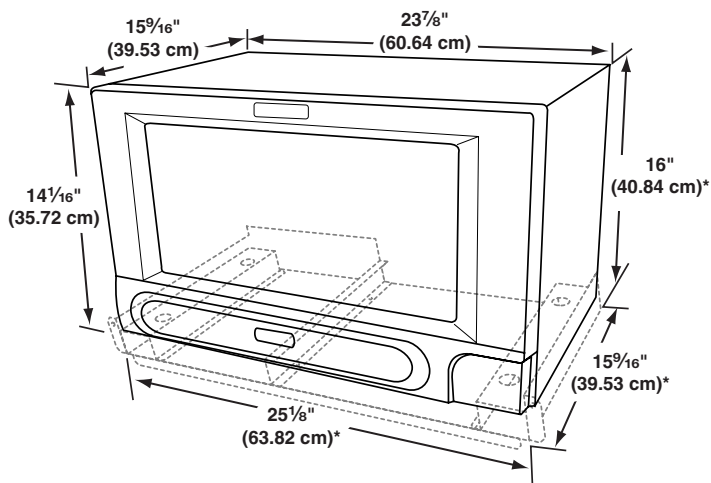
**With non-flush receptacle.

Width 25 1/4" (64.14 cm) min., 25 1/2" (64.77 cm) max.

Height 16 3/8" (41.50 cm) ± 3/8" (9.5 mm)

Depth 19 9/16" (48.42 cm) min. with flush receptacle,
22 9/16" (57.31 cm) min. with non-flush receptacle

Product Dimensions



*Measurements include bottom duct. Width does not include side flares of bottom duct.

Electrical Requirements

⚠ WARNING



Electrical Shock Hazard

Plug into a grounded 3 prong outlet.

Do not remove ground prong.

Do not use an adapter.

Do not use an extension cord.

Failure to follow these instructions can result in death, fire, or electrical shock.

Observe all governing codes and ordinances. A 120 Volt, 60 Hz, AC only, 15- or 20-amp fused electrical supply (or circuit breaker) is required. (A time-delay fuse or circuit breaker is recommended.) It is recommended that a separate circuit serving only this appliance be provided.

GROUNDING INSTRUCTIONS

■ For all cord connected appliances:

The microwave oven must be grounded. In the event of an electrical short circuit, grounding reduces the risk of electric shock by providing an escape wire for the electric current. The microwave oven is equipped with a cord having a grounding wire with a grounding plug. The plug must be plugged into an outlet that is properly installed and grounded.

WARNING: Improper use of the grounding plug can result in a risk of electric shock. Consult a qualified electrician or serviceman if the grounding instructions are not completely understood, or if doubt exists as to whether the microwave oven is properly grounded.

Do not use an extension cord. If the power supply cord is too short, have a qualified electrician or serviceman install an outlet near the microwave oven.

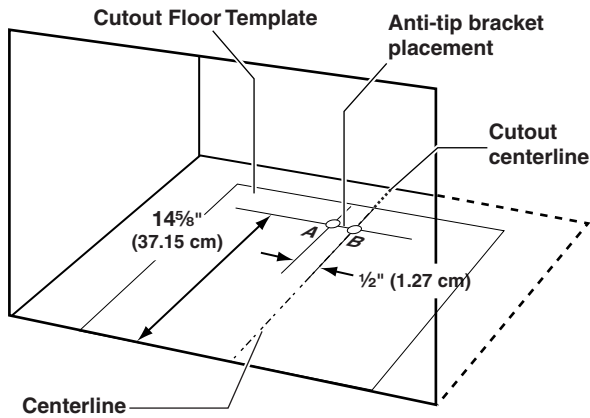
SAVE THESE INSTRUCTIONS

INSTALLATION INSTRUCTIONS

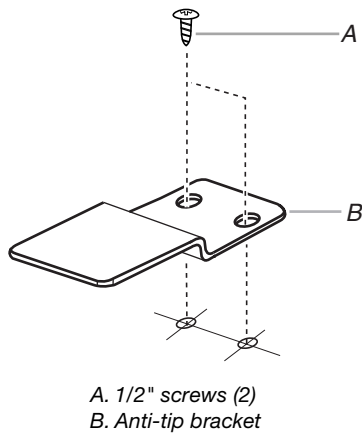
Install Anti-Tip Bracket

Use the provided Cutout Floor Template to properly align and install the anti-tip bracket on the floor of the cutout.

1. Using measuring tape, find and clearly mark the centerline of the cutout floor.
2. Unfold the Cutout Floor Template, and line up its centerline with the centerline of the cutout floor, as shown, and then tape or tack the template to the cutout floor.



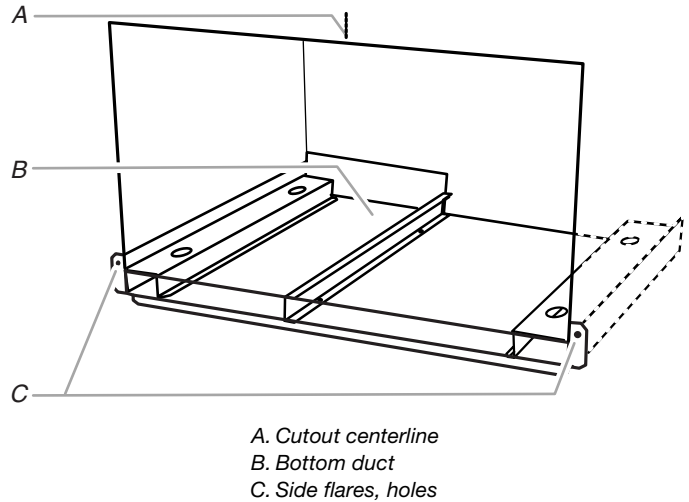
3. Find and mark the "A" and "B" hole centers on the template for the anti-tip bracket.
4. Remove the template, and save it for possible future use.
5. Drill the holes marked in Step 3 using 5/64" (2 mm) drill.
6. Position the anti-tip bracket over the holes so that the raised portion faces the front of the cutout, and install it using two 1/2" screws.



Install Mounting Rails

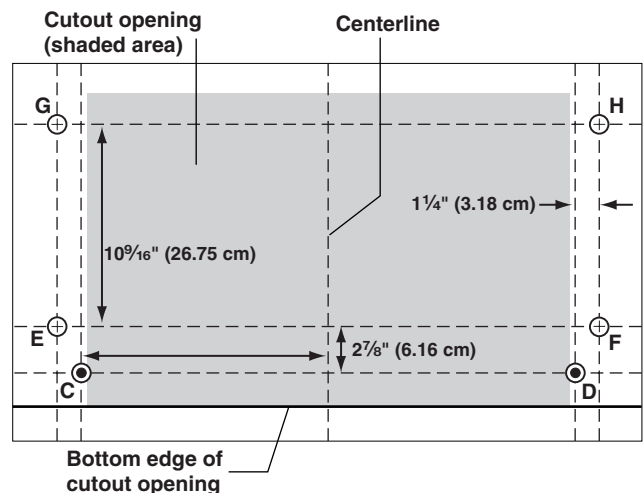
Use the provided Cutout Opening Template to properly align and install the mounting rails on the front of the cabinet.

1. Center the bottom duct on the cutout floor.
2. Making sure the side flares are flush against the front of the cabinet, clearly mark the hole in each of the side flares.



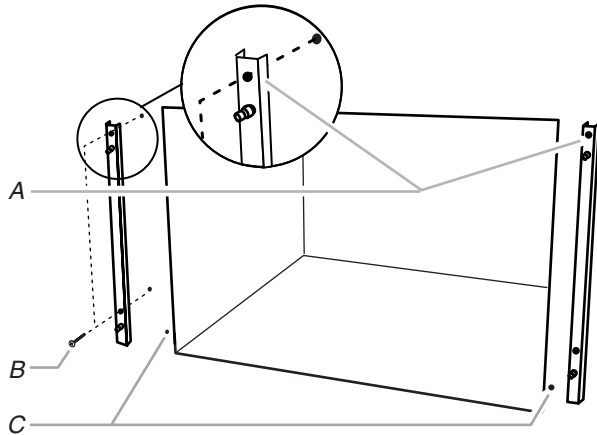
3. Remove the bottom duct.
4. Using measuring tape, find the cutout centerline at the top of the cutout, and clearly mark its location on the top front of the cutout.
5. Find holes "C" and "D" on the Cutout Opening Template, and gently poke through the hole centers.
6. Holding the template against the front of the cutout opening, line up the holes made through "C" and "D" on the template with the holes marked in Step 2, and tape or tack the template to the front of the cutout opening. The centerline of the template should be in line with the cutout floor centerline and the cutout centerline marked at the top of the cutout in Step 4 above.

Cutout Front Template



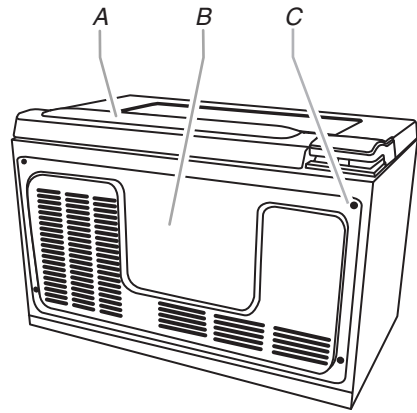
7. Find and mark the "E," "F," "G" and "H" hole centers on the template for the mounting rails.
8. Remove the template and save it for possible future use.

9. Drill the holes marked in steps 2 and 6 using 5/64" (2 mm) drill.
10. Position the mounting rail so that the hole is at the top, as shown, and install using two 1 1/4" wood screws. Repeat on the other side.



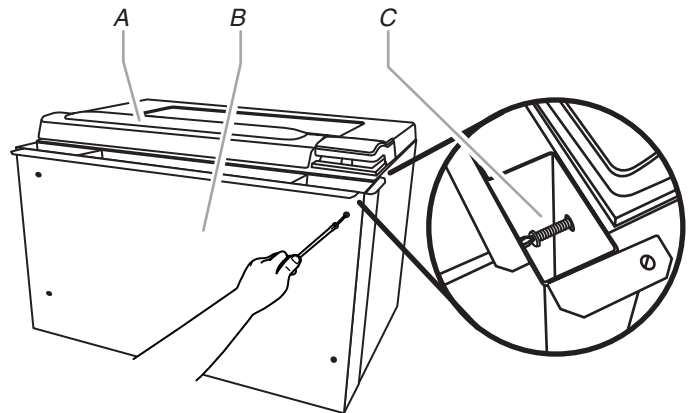
A. Top ends of mounting rails
 B. 1 1/4" wood screws (4)
 C. Holes for bottom duct

3. Using 2 or more people, turn the microwave oven onto its back.



A. Front of microwave oven
 B. Bottom of microwave oven
 C. Corner holes for bottom duct attachment (all 4 corners)

4. Attach bottom duct to bottom of the microwave oven using four 1/2" screws at the corners as shown.



A. Front of microwave oven
 B. Bottom duct
 C. 1/2" screws (4)

Attach Bottom Duct to Microwave Oven

⚠ WARNING

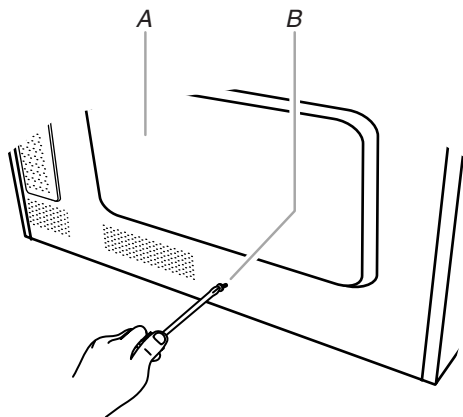
Excessive Weight Hazard

Use two or more people to move and install microwave oven.

Failure to do so can result in back or other injury.

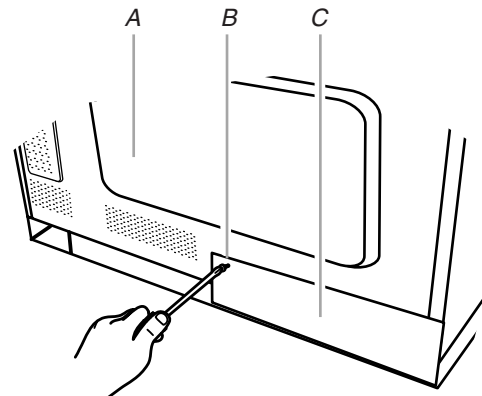
NOTE: To avoid possible damage to the work surface, place a protective cover on the work surface.

1. Empty microwave oven of any loose contents.
2. Remove existing screw at back of microwave oven.



A. Back of microwave oven
 B. Existing screw

5. Using 2 or more people, turn the microwave oven upright, with the bottom duct attached to its underside.
6. Replace the existing screw removed in Step 2 into the back of the microwave oven, through the hole in the bottom duct, as shown.



A. Back of microwave oven
 B. Existing screw
 C. Bottom duct

Install the Microwave Oven

⚠ WARNING



Electrical Shock Hazard

Plug into a grounded 3 prong outlet.

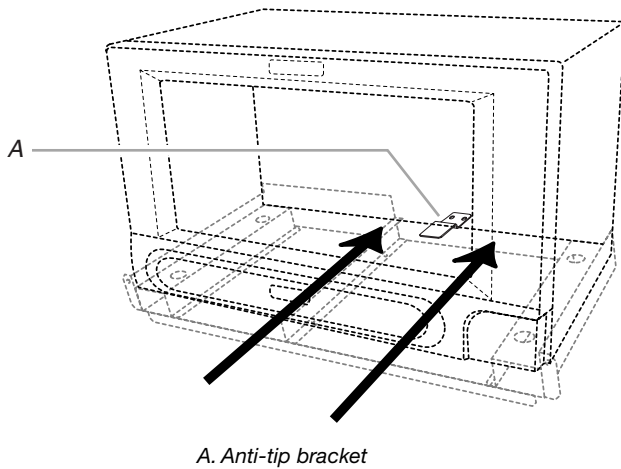
Do not remove ground prong.

Do not use an adapter.

Do not use an extension cord.

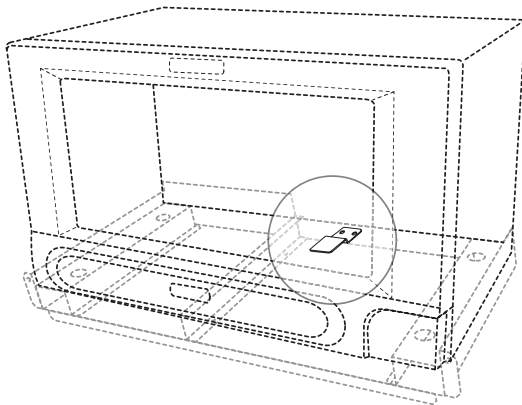
Failure to follow these instructions can result in death, fire, or electrical shock.

1. With the microwave oven near the opening, plug the microwave oven into the grounded 3 prong outlet.
2. Using 2 or more people, slide the microwave oven into the opening, engaging the anti-tip bracket, as shown.

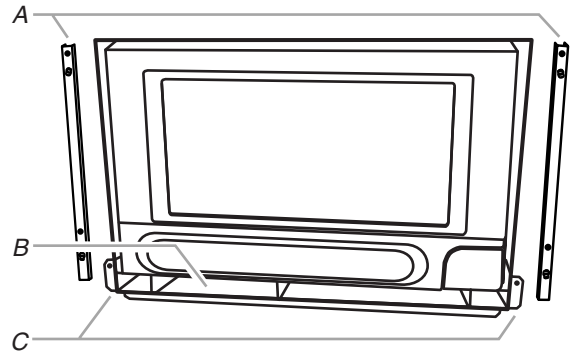


A. Anti-tip bracket

Proper Engagement of Anti-Tip Bracket

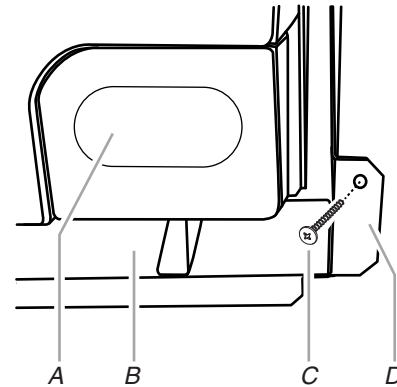


3. Center the microwave oven, ensuring that the holes in the bottom duct side flares are flush against the front of the cabinet, and align with the 2 holes for bottom duct shown in Step 9 in "Install Mounting Rails" section.



A. Mounting rails
B. Bottom duct
C. Side flares

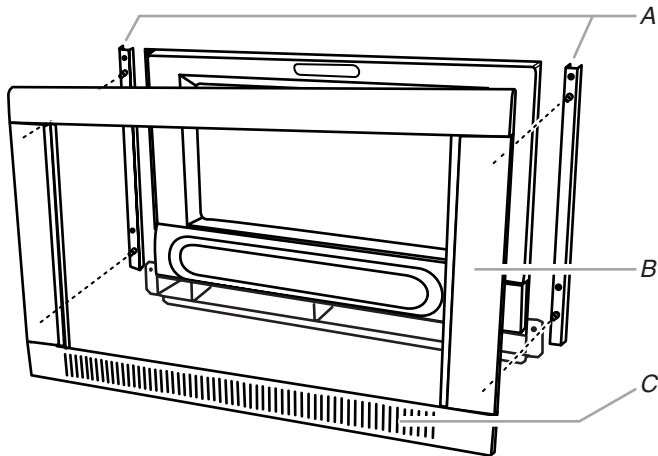
4. Fasten bottom duct at its side flares to cabinet using two 1/4" wood screws.



A. Door open push button
B. Bottom duct
C. 1/4" wood screws (2)
D. Side flare

Install Trim Frame Assembly

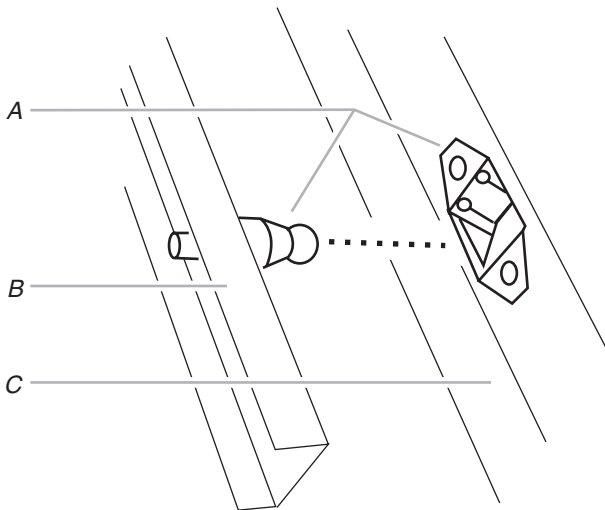
1. Place trim frame assembly over the microwave oven with vent louvers on the bottom, as shown.



A. Mounting rails
B. Trim frame assembly
C. Vent louvers

2. Firmly push the trim frame assembly onto the mounting rails, engaging the snap attachment.

Rear View of Snap Attachment Detail



A. Snap attachment
B. Mounting rail
C. Trim frame assembly

To Remove Trim Frame Assembly:

1. Using a prying tool, such as a tack claw, pop out one corner of the frame assembly.

NOTE: To avoid possible scratching of the frame or wood cabinet, cover the tool with a thin cloth.

2. Repeat on the remaining corners, one at a time.

If 1 side (2 corners) of the frame assembly is popped out, the other side may be pulled away from the mounting rail by hand, one corner at a time.

Complete Installation

1. Install the turntable in the microwave oven.
2. Check the operation of microwave oven by placing 1 cup (250 mL) of water on the turntable and programming cook time of 1 minute at 100% power.
3. If the microwave oven does not operate:
 - Check that a household fuse has not blown, or a circuit breaker tripped. Replace the fuse or reset the circuit breaker. If the problem continues, call an electrician.
 - Check that the power supply cord is plugged into a grounded 3 prong outlet.
 - See the Use and Care Guide for troubleshooting information.

Installation is now complete.

Save these installation instructions for future use.

ASSISTANCE

Call your authorized dealer or service center. When you call, you will need the microwave oven model number and serial number. Both numbers can be found on the model and serial number plate, which is located behind the microwave oven door on the front frame of the microwave oven.

If you need additional assistance, contact our Customer eXperience Center at **1-800-422-1230**.

Replacement Parts

If any of the installation hardware needs to be replaced, call us at the above toll free number, and reference the appropriate part number listed here.

Trim Frame Assembly (Stainless Steel) Part Number 8205831	1/2" Screws Part Number 8205835
Trim Frame Assembly (Meteorite) Part Number 8205837	1 1/4" Wood Screws Part Number 8205836
Bottom Duct Part Number 8205832	Cutout Front Template Part Number 8205603
Mounting Rails Part Number 8205833	Cutout Floor Template Part Number 8205602
Anti-Tip Bracket Part Number 8205834	

8205547

© 2005.
All rights reserved.

5/05
Printed in U.S.A.
TINSEB398MRR0