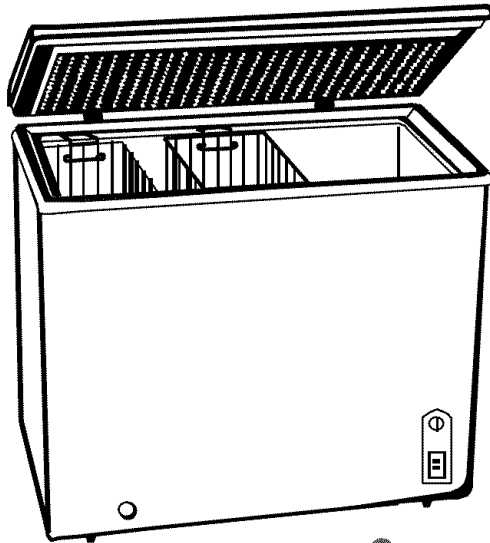


Haier[®]
What The World Comes Home To™



Manual Defrost
Chest Freezer

Congelador de Cofre
De Descongelar Manualmente

User Manual

HCM050WA Chest Freezers

Manual de Usuario

HCM050WA Congeladores de Cofre

SAFETY PRECAUTIONS

Read all of the instructions before using this appliance. When using this appliance, always exercise basic safety precautions, including the following:

- 1) Use this appliance only for its intended purpose as described in this use and care guide.
- 2) This freezer must be properly installed in accordance with the installation instructions before it is used. See grounding instructions in the installation section.
- 3) Never unplug your freezer by pulling on the power cord. Always grasp the plug firmly and pull straight out from the outlet.
- 4) Repair or replace immediately, all electric service cords that have become frayed or otherwise damaged. Do not use a cord that shows cracks or abrasion damage along its length, the plug or the connector end.
- 5) Unplug your freezer before cleaning or before making any repairs.
Note: *If for any reason this product requires service, we strongly recommend that a certified technician performs the service.*
- 6) Do not use any electrical device or any sharp instrument in defrosting your freezer.
- 7) If your old freezer is not being used, we recommend that you remove the doors. This will reduce the possibility of danger to children.
- 8) After your freezer is in operation, do not touch the cold surfaces in the freezer compartment, particularly when hands are damp or wet. Skin may adhere to these extremely cold surfaces.
- 9) Do not refreeze foods, which have been thawed completely. The United States Department of Agriculture in Home and Garden Bulletin No. 69 reads: "...You may safely refreeze frozen foods that have thawed if they still contain ice crystals or if they are still cold-below 40°F".

"...Thawed ground meats, poultry, or fish that have any off-odor or off-color should not be refrozen and should not be eaten. Thawed ice cream should be discarded. If the odor or color of any food is poor or questionable, discard it. The food may be dangerous to eat."

"...Even partial thawing and re-freezing reduce the eating quality of foods, particularly fruits, vegetables, and prepared foods. The eating quality of red meats is affected less than that of many other foods. Use refrozen foods as soon as possible, to save as much of its eating quality as you can."

English

English

- 10) This refrigerator should not be recessed or built-in an enclosed cabinet. It is designed for freestanding installation only.
- 11) Do not operate your refrigerator in the presence of explosive fumes.

For Future Reference Please

SAVE THESE INSTRUCTIONS

DANGER

Risk of child entrapment. Before you throw away your old refrigerator or freezer, take off the doors. Leave the shelves in place so that children may not easily climb inside.
As per UL 250 11.2.6

Thank you for using our Haier product. This easy-to-use manual will guide you in getting the best use of your freezer.

Remember to record the model and serial number. They are on a label in back of the freezer.

Model number

Serial number

Date of purchase

Staple your receipt to your manual. **You will need it to obtain warranty service.**

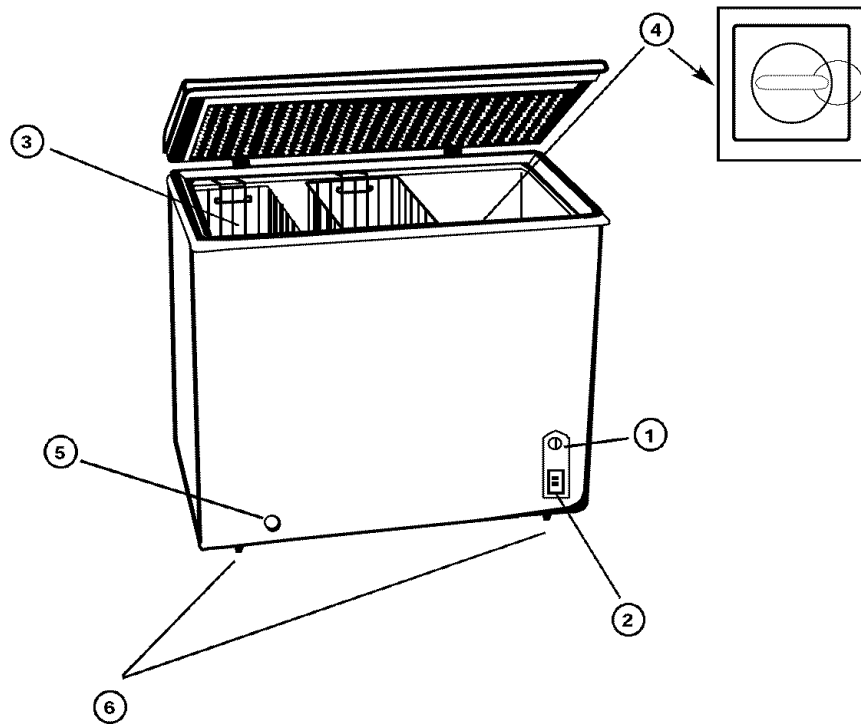
Table Of Contents

	PAGE
Safety Precautions	1
Parts And Features	4
Installing Your Freezer	5
Unpacking Your Freezer.....	5
Adjusting Your Freezer.....	5
Proper Air Circulation.....	5
Electrical Requirements	6
Freezer Features And Use	7
Operating Your Freezer	7
General Features.....	7
Food Storage Baskets.....	8
Defrosting And Draining	8
Food Storage Information.....	9
Normal Operating Sounds.....	9
Proper Freezer Care and Cleaning	10
Cleaning and Maintenance	10
Power Interruptions	11
Vacation and Moving Care	11
Troubleshooting	12
Warranty Information	14

English

English

Parts And Features



- | | |
|--------------------------------------|-------------------------------------|
| 1. Temperature Control Adjustment | 4. Interior Drain Plug (see insert) |
| 2. Power-On Indicator (green switch) | 5. Exterior Drain Plug |
| 3. Vinyl Coated Wire Baskets (2) | 6. Casters |

Installing Your Freezer

Unpacking Your Freezer

1. Remove all packaging material. This includes the foam base and all adhesive tape holding the freezer accessories inside and outside.
2. Inspect and remove any remains of packing, tape or printed materials before powering on the freezer.

Adjusting Your Freezer

- Your freezer is designed for freestanding installation only. It should not be recessed or built-in.
- Place the freezer on a floor strong enough to support it fully loaded.
- When moving the freezer, never tilt it more than a 45-degree angle. This could damage the compressor and the sealed system.
- If the freezer is tilted let it stand in an upright position for at least 24 hours prior to plugging. This is to allow the refrigerant to settle.

Proper Air Circulation

- To assure your freezer works at the maximum efficiency it was designed for, you should install it in a location where there is proper air circulation, plumbing and electrical connections.
- The following are recommended clearances around the refrigerator:
 - Sides.....4" (102mm)
 - Top.....4" (102mm)
 - Back.....4" (102mm)

English

Electrical Requirement

- Make sure there is a suitable power Outlet (115 volts, 15 amps outlet) with proper grounding to power the freezer.
- Avoid the use of three plug adapters or cutting off the third grounding in order to accommodate a two plug outlet. This is a dangerous practice since it provides no effective grounding for the freezer and may result in shock hazard.

Install Limitations

- Do not install your freezer in any location not properly insulated or heated e.g. garage etc. Your freezer was not designed to operate in temperature settings below 55° Fahrenheit.
- Select a suitable location for the freezer on a hard even surface away from direct sunlight or heat source e.g. radiators, baseboard heaters, cooking appliances etc. Any floor unevenness should be corrected.

Freezer Features And Use

Operating Your Freezer

- Once the freezer is in its proper place, plug it in an electrical outlet having 115 volts and 15 amps. Turn on power switch. Green light will come on indicating that the freezer is in operation.
- Set the temperature, on the temperature control knob. "I" being the warmest and "III" being the coldest. Initially set the temperature on "II". Place food inside the freezer. After using the freezer for 24 hours set the freezer to your desired setting.
- In case you unplug your freezer or experience an electrical outage, allow 5 minutes before plugging it back in.

General Features

Adjustable temperature dial: (see fig. # 1)

Your freezer will automatically maintain the temperature level you select. The temperature control dial has 3 settings plus OFF. "I" is the warmest, "III" is the coldest. Turning the dial to OFF stops cooling the freezer. Set the dial to "II" and allow 24 hours to pass before adjusting the temperature to your needs.

(Note: If the freezer has been placed in a horizontal or tilted position for any period of time wait 24 hours before plugging the unit in.)

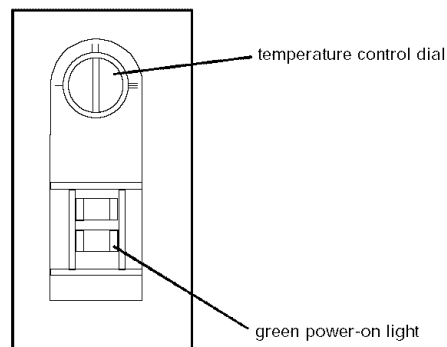


fig. # 1

English

Food Storage Baskets

(see fig. # 2)

- Your freezer has 2 baskets. Removable baskets allow you to store food more accessibly or you can remove them if not needed.

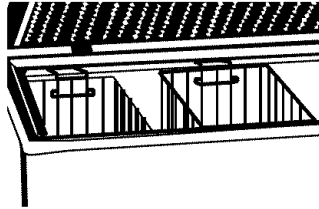


fig. # 2

Defrosting and Draining

- Defrost whenever the frost becomes 1/4" thick. Never use a sharp or metallic instrument to remove the frost, as it may damage the cooling coils. (A punctured coil will void the warranty)
- Turn the temperature control to OFF position and unplug the unit. Remove the drain plug from the inside of the freezer (see fig. #3a). Defrosting usually takes a few hours. To defrost faster keep the freezer door open.
- For draining, place a tray beneath the outer drain plug. Pull out the drain dial (see fig. #3b) and rotate it so that the arrow points downward. This will let the water flow out in the tray. When done, push the drain dial in and turn the arrow to the up position. Re-plug the drain plug inside the freezer compartment. **Note:** monitor the container under the drain to avoid overflow.
- Wipe the interior of the freezer and replace the electrical plug in the electrical outlet.
- Reset the temperature control to the desired setting.

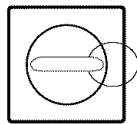


fig. # 3a

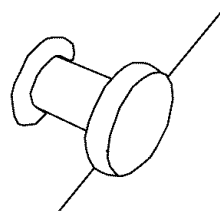


fig. # 3b

Food Storage Information

Frozen Food:

- Wipe containers before storing to avoid needless spills.
- Hot food should be allowed to cool before storing in the freezer. This will prevent unnecessary energy use.
- When storing meats, keep in the original packaging or rewrap as necessary.
- Proper freezer storage requires correct packaging. All foods must be in packages, which do not allow the flow of air or moisture in, or out. Improper storage will result in odor and taste transfer and will result in the drying out of the improperly packaged food.
- Follow package or container instructions for proper storage.
- **Packaging Recommendations:**
 - Plastic containers with air tight lids
 - Heavy duty aluminum foil
 - Plastic wrap made from saran film
 - Self-sealing plastic bags
- Do not refreeze defrosted/thawed foods.
- It is recommended that the freezing date be marked on the packaging.

Normal Operating Sounds You May Hear

- Boiling water, gurgling sounds or slight vibrations that are the result of the refrigerant circulating through the cooling coils.
- The thermostat control will click when it cycles on and off.

English

Proper Freezer Care and Cleaning

Cleaning and Maintenance

Warning: To avoid electric shock always unplug your freezer before cleaning. Ignoring this warning may result in death or injury.

Caution: Before using cleaning products, always read and follow manufacturer's instructions and warnings to avoid personal injury or product damage.

General:

- Prepare a cleaning solution of 3-4 tablespoons of baking soda mixed with warm water. Use sponge or soft cloth, dampened with the cleaning solution, to wipe down your freezer.
- Rinse with clean warm water and dry with a soft cloth.
- Do not use harsh chemicals, abrasives, ammonia, chlorine bleach, concentrated detergents, solvents or metal scouring pads. SOME of these chemicals may dissolve, damage and/or discolor your freezer.

Door Gaskets:

- Clean door gaskets every three months according to general instructions. Gaskets must be kept clean and pliable to assure a proper seal.
- Petroleum jelly applied lightly on the hinge side of gaskets will keep the gasket pliable and assure a good seal.

Power Interruptions

- Occasionally there may be power interruptions due to thunderstorms or other causes. Remove the power cord from AC outlet when a power outage occurs. When power has been restored, replugin power cord to AC outlet. If outage is for a prolonged period, inspect and discard spoiled or thawed food in freezer. Clean freezer before reusing.

Vacation and Moving Care

- For long vacations or absences, empty food from freezer, move the temperature DIAL to the OFF position and clean the door gaskets according to "General cleaning" section. Prop doors open, so air can circulate inside. When moving always move the freezer vertically. Do not move with the unit lying down. Possible damage to the sealed system could occur.

English

English

Troubleshooting

Freezer Does Not Operate:

- Check if thermostat control is not in the "OFF" position.
- Check if freezer is plugged in.
- Check if there is power at the ac outlet, by checking the circuit breaker.
- Wait for 30-40 minutes to see whether freezer will start. Compressor cycle must be complete to operate.

Food temperature appears too warm:

- Frequent door openings.
- Allow time for recently added warm food to reach freezer temperature.
- Check gaskets for proper seal.
- Clean condenser coils (for models with exposed condenser coils).
- Adjust temperature control to colder setting.

Food temperature is too cold:

- If temperature control setting is too cold, adjust to a warmer setting and allow several hours for temperature to adjust.

Freezer runs too frequently:

- This may be normal to maintain constant temperature during high temperature and humid days.
- Doors may have been opened frequently or for an extended period of time.
- Check gasket for proper seal.
- Check to see if doors are completely closed.
- Check freezer compartment for blockage from frozen food packages, containers, etc.

Freezer has an odor:

- Interior needs cleaning.
- Foods improperly wrapped or sealed are giving off odors.

English

Limited Warranty

What is covered and for how long?

This warranty covers all defects in workmanship or materials for a period of:

12 months labor

12 months parts

5 years sealed system

The warranty commences on the date the item was purchased and the original purchase receipt must be presented to the authorized service center before warranty repairs are rendered.

EXCEPTIONS: Commercial or Rental Use warranty

90 days labor (carry-in only)

90 days parts

No other warranty applies

What is covered.

1. The mechanical and electrical parts, which serve as a functional, purpose of this appliance for a period of 12 months. This includes all parts except finish, and trim.
2. The components of the sealed system e.g. hermetic compressor, condenser and evaporator from manufacturing defects for a period of 5 years from the date of purchase. Any damages to such components caused by mechanical abuse or improper handling or shipping will not be covered.

What will be done?

1. We will repair or replace, at our discretion any mechanical or electrical part which proves to be defective in normal usage during the warranty period so specified.
2. There will be no charge to the purchaser for parts and labor on any covered items during the initial 12 month period. Beyond this period

only parts are covered in the remaining warranty. Labor is not provided and must be paid by the customer.

3. Contact your nearest authorized service center. For the name of the nearest service center please call 1-877-337-3639

THIS WARRANTY COVERS APPLIANCES WITHIN THE CONTINENTAL UNITED STATES, PUERTO RICO AND CANADA. IT DOES NOT COVER THE FOLLOWING

Damages from improper installation.
Damages in shipping.
Defects other than manufacturing.
Damage from misuse, abuse, accident, alteration, lack of proper care and maintenance or incorrect current or voltage.
Damage from other than household use.
Damage from service by other than an authorized dealer or service center.
Decorative trims or replaceable lightbulbs.
Transportation and shipping.
Labor (after the initial 12 months).

THIS LIMITED WARRANTY IS GIVEN IN LIEU OF ALL OTHER WARRANTIES, EXPRESSED OR, INCLUDING THE WARRANTIES OF MERCHANTABILITY AND FITNESS FOR A PARTICULAR PURPOSE

The remedy provided in this warranty is exclusive and is granted in lieu of all other remedies.

This warranty does not cover incidental or consequential damages, so the above limitations may not apply to you. Some States do not allow limitations on how long an implied warranty lasts, so the above limitations may not apply to you.

This warranty gives you specific legal rights, and you may have other rights, which vary, from state to state.

Haier America Trading L.L.C.
New York, NY 10018.

INSTRUCCIONES PRECAUTORIAS

Lea todas las instrucciones antes de utilizar este aparato. Cuando utilice este aparato, siempre ejerza las precauciones de seguridad básicas, incluyendo las siguientes:

- 1) Utilice este aparato exclusivamente para su uso especificado, según se describe en esta guía de uso y cuidados.
- 2) Este congelador debe ser instalado adecuadamente siguiendo las instrucciones de instalación antes de utilizarse. Observe las instrucciones para conectarlo a tierra en la sección de instalación.
- 3) Nunca desconecte su congelador tirando del cordón eléctrico. Sujete siempre la clavija firmemente y retírela del contacto evitando torcerla.
- 4) Repare o reemplace inmediatamente cualquier cordón eléctrico que muestre raspaduras o daños. No utilice ningún cordón que muestre señales de abrasión o grietas en su extensión, clavija o terminal de conexión.
- 5) Desconecte su congelador antes de limpiarlo o antes de hacer cualquier reparación. Nota: Si por alguna razón este producto necesita ser reparado, recomendamos fuertemente que la reparación se lleve a cabo por un técnico calificado.
- 6) No emplee ningún aparato eléctrico o instrumento punzocortante para descongelar su refrigerador.
- 7) Si su antiguo congelador no está siendo utilizado, recomendamos quitarle las puertas. Esto reducirá los riesgos de accidentes infantiles.
- 8) Una vez que su congelador se encuentre operando, no toque las superficies frías en el compartimento del congelador, especialmente si sus manos se encuentran húmedas o mojadas. Su piel puede adherirse a estas superficies extremadamente frías.

Español

Español

9) No congele alimentos que hayan sido previamente descongelados en su totalidad. El Departamento de Agricultura de los Estados Unidos, en su Boletín de Casa y Jardín No. 69 indica que: "...Usted puede volver a congelar, sin correr ningún riesgo, aquellos alimentos congelados que hayan sido descongelados y que aún contengan cristales de hielo o que aún se encuentren fríos con una temperatura por debajo de los 4,5°C (40°F)".

"...Carnes molidas, aves, o pescados descongelados que despidan olor extraño o muestren decoloración no deben volver a congelarse y no deben consumirse. El helado descongelado debe desecharse. Si el olor o color de cierto alimento es deficiente o cuestionable, deséchelo. Tal alimento podría resultar peligroso si lo ingiriese."

"...Incluso el descongelar parcialmente y volver a congelar los alimentos disminuye su calidad de consumo, especialmente si se trata de frutas, verduras y alimentos preparados. La calidad de consumo de las carnes rojas es menormente afectada en comparación a la de muchos otros alimentos. Utilice los alimentos que hayan vuelto a congelarse lo más pronto posible para evitar que sufran mayor deterioro en su calidad de consumo."

10) Este congelador no debe de ser empotrado o colocado dentro de un gabinete de cocina. Ha sido diseñado exclusivamente para ser instalado por separado.

11) No opere su congelador en la presencia de gases explosivos.

Por favor
GUARDE ESTAS INSTRUCCIONES
para referencia futura.

PELIGRO

Existe el riesgo de que los niños puedan quedar atrapados dentro. Antes de tirar su refrigerador o congelador, quite las puertas. Deje los anaqueles en su lugar para que los niños no puedan entrar fácilmente en el interior."

De acuerdo a UL 250 11.2.6

Gracias por utilizar nuestro producto Haier. Este sencillo manual le orientará con respecto al mejor uso que puede darle a su refrigerador.

Recuerde tomar nota del modelo y número de serie. Ambos se encuentran impresos en una etiqueta en la parte posterior del refrigerador.

Número de Modelo

Número de Serie

Fecha de Compra

Agrafer le ticket de caisse au guide. **Il devra être présenté pour tout service après-vente sous garantie.**

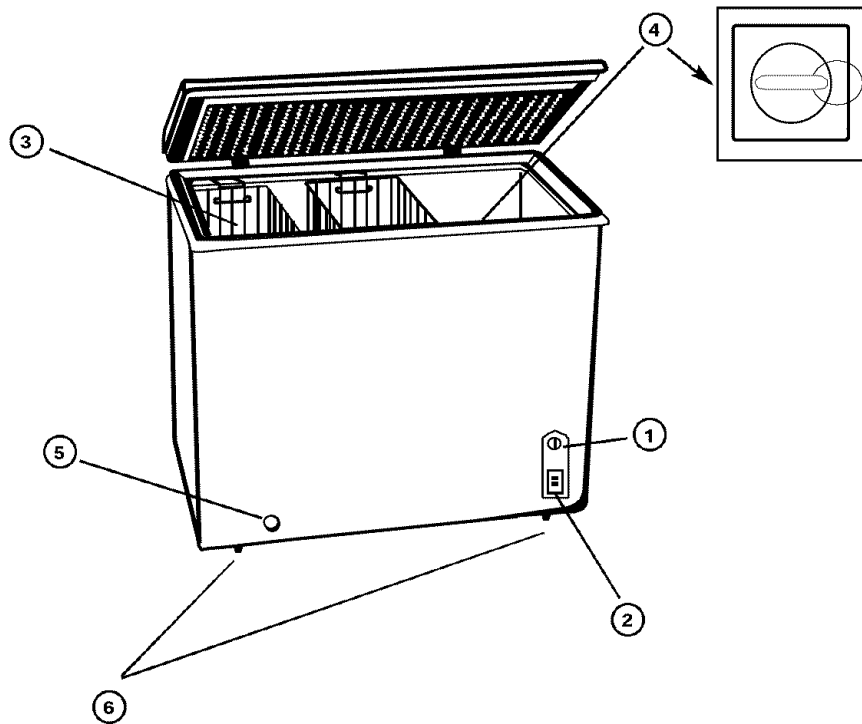
Español

Español

Índice

	PAGINA
Instrucciones Precautorias.....	1
Partes y Funciones.....	5
Instalación del Congelador.....	6
Desempaque del Congelador.....	6
Ajuste del Congelador.....	6
Circulación Apropiaada del Aire.....	6
Requisitos Eléctricos.....	7
Características y Uso del Congelador.....	8
Operación del Congelador.....	8
Características Generales.....	8
Canastas para Guardar Alimentos.....	8
Remoción de la Escarcha y Desagüe.....	9
Información Sobre el Almacenamiento de Alimentos.....	10
Ruido Normal de Operación.....	10
Limpieza y Cuidado Apropiaados del Congelador.....	11
Limpieza y Mantenimiento.....	11
Interrupciones de la Corriente Eléctrica.....	12
Cuidado en Vacaciones o en Mudanza.....	12
Resolución de Problemas.....	13
Información de Garantía.....	15

Partes y Funciones



- 1. Ajuste de Control de Temperatura
- 2. Indicador de Encendido (interruptor verde)
- 3. Canastas de Alambre Recubierto Con Vinilo (2)

- 4. Tapón del Desagüe Interior (vea el detalle)
- 5. Tapón del Desagüe Exterior
- 6. Rodajas

Instalación del Congelador

Desempaquete del Congelador

1. Remueva todos los materiales de empaque. Estos incluyen la base de espuma y toda la cinta adhesiva que sujeta los accesorios del congelador, adentro y afuera.
2. Antes de encender el congelador, examínelo y remueva los materiales impresos, así como también cualquier residuo del empaque que haya quedado en el interior.

Ajuste del Congelador

- El congelador ha sido diseñado como una unidad autoestable, solamente. No debe instalarse en recesos o empotrado.
- Coloque el congelador sobre un piso suficientemente fuerte para sostenerlo cuando su interior está completamente lleno.
- Cuando mueva el congelador, nunca lo incline a un ángulo mayor de 45° para evitar daños al compresor o al sistema sellado.
- Si el congelador se ha inclinado, colóquelo en su posición vertical y déjelo en esta posición por lo menos por 24 horas antes de encenderlo, para permitir que el refrigerante vuelva a su condición normal.

Circulación Apropiada del Aire

- Para asegurar que el congelador funciona con la eficiencia máxima para la que fue diseñado, debe instalarlo en un lugar de circulación apropiada de aire y que cuente con conexiones eléctricas y de plomería.
- Alrededor del congelador se recomienda dejar los espacios libres que se listan a continuación:
En los costados....4" (102 mm)
Arriba.....4" (102mm)
Detrás.....4" (102 mm)

Requisitos Eléctricos

- Asegúrese de que para enchufar el congelador cuenta con un receptáculo de corriente eléctrica apropiada (115 voltios, 15 amperios), con su debida conexión a tierra.
- Evite el uso de adaptadores de tres clavijas o el corte de la clavija a tierra, tratando de usar un receptáculo de dos clavijas. Esta es una práctica peligrosa que no permite la conexión efectiva a tierra del congelador, y que puede crear riesgos de choque eléctrico.

Limitantes de Instalación

- No instale el congelador en un lugar que no cuente con aislación y calefacción adecuadas, como, por ejemplo, en el garaje. El congelador no ha sido diseñado para operar en temperaturas por debajo de los 55° F (12° C).
- Escoja un lugar adecuado para el congelador, con piso firme y plano, y donde quede protegido de los rayos solares directos y de fuentes de calor tales como: radiadores, registros de calefacción, aparatos de cocción, etc. Corrija cualquier desnivel o irregularidad que tenga el piso.

Características y Uso del Congelador

Operación del Congelador

- Una vez que el congelador ha sido colocado en su lugar, enchúfelo en un receptáculo eléctrico de 115 voltios y 15 amperios. Mueva el interruptor a la posición de encendido. La luz verde se encenderá indicando que el congelador está operando.
- Fije la temperatura en la perilla del control de temperatura, siendo "I" la graduación de temperatura más alta y "III" la de temperatura más fría. Inicialmente, fije la temperatura en "II". Ponga, luego, los alimentos en el congelador. Después de que el congelador ha operado por 24 horas, puede cambiar la temperatura al nivel que la desee.
- En caso de que desconecte el congelador u ocurra una falla en la corriente eléctrica, espere por 5 minutos antes de volver a conectar el congelador.

Características Generales

Dial de temperatura

ajustable: (vea fig. # 1)

El congelador mantiene automáticamente el nivel de temperatura que usted ha escogido.

El dial de control de temperatura tiene - además de la posición OFF, apagado - 3 graduaciones. "I" es el nivel de más alta temperatura y "III" el de la más fría. Al girar el dial a la

posición OFF se detiene la operación de enfriamiento del congelador.

Para reiniciar la operación de la unidad, ponga el dial en "II" y espere 24 horas antes de ajustar la temperatura al nivel que la desee.

(Nota: Si el congelador ha estado en posición inclinada, u horizontal, por cualquier período de tiempo, colóquelo en su posición normal y espere 24 horas antes de poner a funcionar la unidad.)

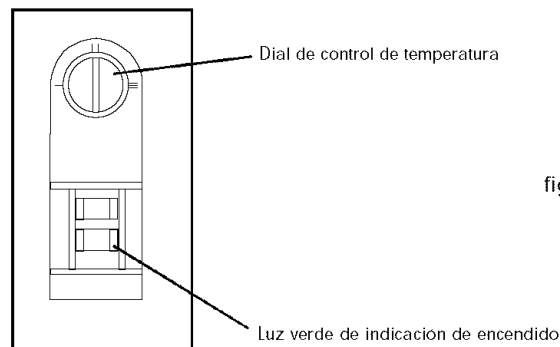


fig. # 1

Canastas para Guardar Alimentos

(vea fig. # 2)

- El congelador cuenta con 2 canastas. Las canastas removibles le permiten guardar los alimentos en forma más accesible o, si lo desea, puede removerlas cuando no las necesite.

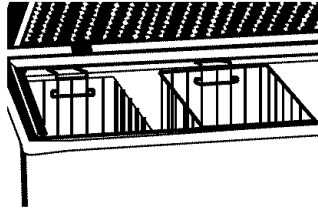


fig. # 2

Remoción de la Escharcha Desagüe

- Remueva la escarcha cuando ésta haya alcanzado un espesor de 1/4". Para esta operación nunca use instrumentos afilados o metálicos que puedan dañar un serpentín de enfriamiento (un serpentín de enfriamiento que haya sido perforado invalida la garantía).
- Coloque el control de temperatura en la posición OFF, apagado, y desenchufe la unidad. Remueva el tapón del desagüe del interior del congelador (vea la figura # 3a). El proceso de descongelación normalmente toma algunas horas. Para acelerarlo mantenga abierta la puerta del congelador.
- Para drenar la unidad, coloque una bandeja debajo del tapón del desagüe exterior. Hale el dial del desagüe hacia afuera (vea la figura 3b) y gírelo hasta que la flecha apunte hacia abajo. Esto permitirá que el agua fluya a la bandeja. Cuando el agua termine de salir, presione hacia adentro el dial del desagüe y gírelo hasta que la flecha apunte hacia arriba. Vuelva a colocar el tapón en el desagüe, en el interior del descongelador. **Nota:** Vigile el flujo del agua a la bandeja para evitar que ésta pueda rebosar.

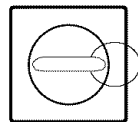


fig. # 3a

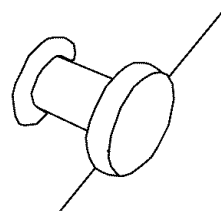


fig. # 3b

Español

Español

Información Sobre el Almacenamiento de Alimentos

Alimentos Congelados:

- Seque los envases para evitar derrames innecesarios.
- Deje enfriar los alimentos antes de ponerlos en el congelador para evitar el uso innecesario de energía.
- Cuando guarde carnes, manténgalas en su empaque original o envuélvalas de nuevo según sea necesario.
- El almacenamiento apropiado de los alimentos en el congelador, requiere que éstos estén adecuadamente empacados. Todos los alimentos deben estar en empaques que no permitan el acceso del aire o de la humedad. El almacenamiento inadecuado de los alimentos permite la transferencia de sabores y olores y produce el resecamiento de los alimentos que no han sido apropiadamente empacados.
- Observe las instrucciones de almacenamiento indicadas en el paquete o envase de los alimentos.
- **Tipo de Empaques Recomendados:**
 - Envases plásticos con tapa hermética
 - Empaques de hoja gruesa de aluminio para trabajo pesado
 - Membranas plásticas de envolver hechas de película de sarón
 - Bolsas de plástico con cierre incluido
- No congele alimentos que han sido descongelados
- Se recomienda que marque en el empaque la fecha en que congela el alimento

Ruido Normal de Operación

- Ruido como de agua hirviendo, sonidos como de gárgaras o pequeñas vibraciones se producen cuando el refrigerante circula por los serpentines de enfriamiento
- El termostato de control produce un "Click" cuando se cierra o se abre.

Limpieza y Cuidado Apropiados del Congelador

Limpieza y Mantenimiento

Advertencia: Para evitar choques eléctricos, desenchufe siempre el congelador antes de limpiarlo. El ignorar esta advertencia puede ocasionarle lesiones y aun la muerte.

Precaución: Antes de usar productos de limpieza, lea y observe siempre las instrucciones y advertencias del fabricante, para evitar lesiones personales o daños a la unidad.

Generales:

- Prepare una solución para limpieza de 3 o 4 cucharadas de soda de hornear disueltas en agua tibia. Para limpiar el congelador, use una esponja o un paño suave humedecido en la solución de limpieza.
- Enjuague el congelador con agua limpia, tibia, y séquelo con un paño suave.
- No use sustancias químicas fuertes, abrasivos, amoníaco, clorina, detergentes concentrados, solventes o almohadillas metálicas para fregar. ALGUNAS de estas sustancias químicas pueden disolver, dañar o manchar el congelador.

Empaques

- de la Puerta:**
- Limpie los empaques de la puerta cada 3 meses, siguiendo las instrucciones generales de limpieza. Los empaques deben mantenerse limpios y flexibles para asegurar que sellan la unidad apropiadamente.
 - Vaselina de petróleo aplicada ligeramente en el empaque, en el lado del gozne, mantiene el empaque flexible y asegura un buen sellado.

Español

Español

Interrupciones de la Corriente Eléctrica

- Ocasionalmente puede haber interrupciones en la corriente eléctrica debido a tempestades u otras condiciones imprevistas. Desenchufe el cable de alimentación del receptáculo de CA cuando ocurra una interrupción. Una vez restablecida la corriente vuelva a enchufar el cable de alimentación en el receptáculo de CA. Si la interrupción continúa por un período prolongado, examine los alimentos y deseche los que se hayan dañado o descongelado en el congelador. Limpie el congelador antes de volverlo a usar.

Cuidado en las Vacaciones o en la Mudanza

- Cuando se ausente por vacaciones largas o ausencias prolongadas, saque todos los alimentos del congelador y mueva el Dial de temperatura a la posición OFF, para luego limpiar los empaques de la puerta de acuerdo con las instrucciones de la sección "Instrucciones Generales de Limpieza". Mantenga las puertas abiertas, de manera que el aire circule en el interior. En una mudanza, siempre coloque el congelador en posición vertical. No lo transporte con la unidad en posición horizontal. Esto puede ocasionar daños al sistema sellado de la unidad.

Resolución de Problemas

El Congelador no Funciona:

- Verifique que el termostato de control no esté en la posición "OFF".
- Verifique que el congelador esté enchufado.
- Verifique que llega corriente al receptáculo de CA, examinando el interruptor de circuito.
- Espere de 30 a 40 minutos para ver si el congelador comienza a funcionar. El ciclo del compresor debe completarse para que la unidad principie a operar.

La temperatura de los alimentos parece muy alta:

- Puede ser que abre la puerta muy frecuentemente.
- Espere algún tiempo para que alimentos que se ponen en el congelador a temperatura ambiente, alcancen la temperatura del congelador.
- Verifique que los empaques sellan adecuadamente.
- Limpie los serpentines del condensador (en aquellos modelos en los que los serpentines están al descubierto).
- Ponga el control de temperatura en una graduación de temperatura más baja.

La temperatura de los alimentos parece demasiado fría:

- Si la graduación del control de temperatura está en un punto muy bajo, ajuste el control a una temperatura menos fría y espere algunas horas para que la temperatura se estabilice al nivel deseado.

Español

Español

El congelador opera con demasiada frecuencia:

- Esta puede ser la operación normal del congelador para mantener una temperatura constante en días calurosos y húmedos.
- Las puertas pueden haberse abierto muy frecuentemente o por períodos prolongados de tiempo.
- Verifique que el empaque sella apropiadamente.
- Verifique que las puertas están completamente cerradas.
- Verifique que el compartimiento del congelador no está obstruido con paquetes de alimentos congelados, envases, etc.

El congelador tiene mal olor:

- El interior de la unidad puede necesitar limpieza.
- Alimentos empacados o sellados defectuosamente pueden estar despidiendo olores.

Garantía Limitado

¿Qué está cubierto y por cuánto tiempo?

Esta garantía cubre cualquier defecto en la manufactura o empleo de materiales por un plazo de:

12 meses de mano de obra
12 meses en componentes
5 años en el sistema sellado

La garantía comienza en la fecha de compra del artículo, y la factura original de compra debe presentarse al centro de servicio autorizado para poder efectuar cualquier reparación que esté bajo garantía.

EXCEPCIONES: Garantía por Uso Comercial o Bajo Arrendamiento **90 meses en mano de obra** **(únicamente en taller)**

90 días en componentes
Ninguna otra garantía es válida
¿Qué está cubierto?

1. Los componentes mecánicos y eléctricos que cumplen con alguna función de este aparato durante un plazo de 12 meses. Esto incluye cualquier componente con excepción de acabados y molduras.
2. Los componentes del sistema sellado, como por ejemplo: compresor hermético, condensador, y evaporador, por defectos de manufactura durante un plazo de 5 años a partir de la fecha de compra. Cualesquier daños a tales componentes causados por abuso mecánico o manejo o transportación inadecuada no serán cubiertos.

¿Qué se hará?

1. Repararemos o reemplazaremos, a discreción nuestra, cualquier componente mecánico o eléctrico que se muestre defectuoso por uso normal durante el plazo así especificado.
2. No habrá cargos para el comprador por las partes y la mano de obra en cualesquier artículos cubiertos durante el periodo inicial de 12 meses. Al término de este periodo solo las partes son cubiertas en la garantía restante. La mano de obra no está provista y debe ser cubierta por el cliente.
3. Localice su centro de servicio autorizado más cercano.

Para conocer el nombre del centro de servicio más próximo a su domicilio, por favor llame al 1-877-337-3639 (Válido solo en E.U.A).

ESTA GARANTIA CUBRE APARATOS DENTRO DEL TERRITORIO CONTINENTAL DE LOS ESTADOS UNIDOS, PUERTO RICO Y CANADÁ.

Daños por instalación inadecuada.
 Daños por transportación.
 Defectos que no sean por manufactura.
 Daños por negligencia, abuso, accidente, alteración, falta de cuidado adecuado y de mantenimiento, o conexión a tensión eléctrica incorrecta.

Daños que no sean por uso doméstico.
 Daños por servicio que no sea proporcionado a través de un distribuidor o centro de servicio autorizado. Molduras decorativas o focos reemplazables.

Envío y transportación.
 Mano de obra (después de los primeros 12 meses).

ESTA GARANTIA LIMITADA ES PROVISTA EN SUSTITUCION A CUALQUIER OTRA GARANTIA EXPRESADA O QUE IMPLIQUE LAS GARANTIAS MERCANTILES SUJETAS A CIERTO PROPOSITO.

El amparo provisto por esta garantía es de uso exclusivo y se otorga en sustitución a cualquier otro amparo.

Esta garantía no cubre daños incidentales o sus derivados, por lo que las anteriores restricciones pueden serle ajenas. En ciertos estados no se permiten restricciones en lo que se refiere a la duración implícita de una garantía, por lo que las anteriores restricciones pueden serle ajenas.

Esta garantía le otorga ciertos derechos legales y es posible que usted goce de otros derechos, los cuales varían de estado a estado.
 Haier America Trading, L.L.C.
 New York, NY 10018

IMPORTANT

Do Not Return This Product To The Store

If you have a problem with this product, please contact the "Haier Customer Satisfaction Center" at 1-877-337-3639.

DATED PROOF OF PURCHASE REQUIRED FOR WARRANTY SERVICE

IMPORTANTE

No regrese este producto a la tienda

Si tiene algún problema con este producto, por favor contacte el "Centro de Servicio al Consumidor de Haier" al 1-877-337-3639 (Válido solo en E.U.A).

NECESITA UNA PRUEBA DE COMPRA FECHADA PARA EL SERVICIO DE LA GARANTIA

115V, 60 Hz

Made in China
Hecho en China

Haier[®]
What The World Comes Home To[™]

cfwa-01
Issued: Jan.-01
Emitido: Jan.-01

Haier America Trading, L.L.C.
New York, NY 10018

Printed in China