



---

# ***USE & CARE MANUAL***

---

READ AND SAVE THESE INSTRUCTIONS

# **MEDIAN and HEAVY DUTY ELECTRONIC CONTROL AIR CONDITIONERS**

---

P/N 220219A031

# ROOM AIR CONDITIONER WARRANTY

*Your product is protected by this warranty*

Your appliance is warranted by Electrolux. Electrolux has authorized Frigidaire Consumer Services and their authorized servicers to perform service under this warranty. Electrolux authorizes no one else to change or add to any of these obligations under this warranty. Any obligations for service and parts under this warranty must be performed by Frigidaire Consumer Services or an authorized Frigidaire servicer.

	WARRANTY PERIOD	FRIGIDAIRE, THROUGH ITS AUTHORIZED SERVICERS, WILL:	THE CONSUMER WILL BE RESPONSIBLE FOR:
<b>FULL ONE-YEAR WARRANTY</b>	One year from original purchase date.	Pay all costs for repairing or replacing parts of this appliance which prove to be defective in materials or workmanship.	Costs of service calls that are listed under <b>NORMAL RESPONSIBILITIES OF THE CONSUMER.*</b>
<b>LIMITED 2-5 YEAR WARRANTY (Sealed System)</b>	Second through fifth years from original purchase date.	Repair or replace any parts in the Sealed Refrigeration System (compressor, condenser, evaporator and tubing) proves to be defective in materials or workmanship.	Diagnostic costs and any removal, transportation and reinstallation costs which are required because of service. Costs for labor, parts and transportation other than with respect to the Sealed Refrigeration System.
<b>LIMITED WARRANTY (Applicable to the State of Alaska)</b>	Time periods listed above.	All of the provisions of the full and limited warranties above and the exclusions listed below apply.	Costs of the technician's travel to the home and any costs for pick up and delivery of the appliance required because of service.

## \* NORMAL RESPONSIBILITIES OF THE CONSUMER

This warranty applies only to products in ordinary household use, and the consumer is responsible for the items listed below.

1. Proper use of the appliance in accordance with instructions provided with the product.
2. Proper installation by an authorized servicer in accordance with instructions provided with the appliance and in accordance with all local plumbing, electrical and/or gas codes.
3. Proper connection to a grounded power supply of sufficient voltage, replacement of blown fuses, repair of loose connections or defects in house wiring.
4. Expenses for making the appliance accessible for servicing, such as removal of trim, cupboards, shelves, etc., which are not a part of the appliance when it was shipped from the factory.
5. Damages to finish after installation.
6. Replacement of light bulbs and/or fluorescent tubes (on models with these features).

## EXCLUSIONS

This warranty does not cover the following:

1. CONSEQUENTIAL OR INCIDENTAL DAMAGES SUCH AS PROPERTY DAMAGE AND INCIDENTAL EXPENSES RESULTING FROM ANY BREACH OF THIS WRITTEN OR ANY IMPLIED WARRANTY. Note: Some states do not allow the exclusion or limitation of incidental or consequential damages, so this limitation or exclusion may not apply to you.
2. Service calls which do not involve malfunction or defects in workmanship or material, or for appliances not in ordinary household use. The consumer shall pay for such service calls.
3. Damages caused by services performed by persons other than authorized Frigidaire servicers; use of parts other than Frigidaire Genuine Renewal Parts; obtained from persons other than such servicers; or external causes such as abuse, misuse, inadequate power supply or acts of God.
4. Products with original serial numbers that have been removed or altered and cannot be readily determined.

## IF YOU NEED SERVICE

Keep your bill of sale, delivery slip, or some other appropriate payment record. The date on the bill establishes the warranty period should service be required. If service is performed, it is in your best interest to obtain and keep all receipts. This written warranty gives you specific legal rights. You may also have other rights that vary from state to state. Service under this warranty must be obtained by following these steps, in order:

1. Contact Frigidaire Consumer Services or an authorized Frigidaire servicer.
2. If there is a question as to where to obtain service, contact our Consumer Relations Department at:

Frigidaire  
P.O. Box 212378  
Augusta, GA 30917  
**800-444-4944**

*Frigidaire*

CANADA  
Electrolux Canada Group  
6150 McLaughlin Road  
Mississauga, Ontario L5R 4C2  
**1-866-213-9397**

Product features or specifications as described or illustrated are subject to change without notice. All warranties are made by Electrolux.

This warranty applies only in the 50 states of the U.S.A., Puerto Rico and Canada.

**FOR SERVICE CALL 1-800-444-4944.**



## Product Registration

### Record Your Model and Serial Numbers

Record in the space provided below the model and serial numbers. On all models, the serial plate is located on the outside of the cabinet.

Model No. \_\_\_\_\_

Serial No. \_\_\_\_\_

### Register Your Product

The self-addressed PRODUCT REGISTRATION CARD should be filled in completely, signed and returned to the Frigidaire Company.

## Contents

**NOTE:** This USE & CARE MANUAL provides specific operating instructions for your model. Use the room air conditioner only as instructed in this USE & CARE MANUAL instructions are not meant to cover every possible condition and situation that may occur. Common sense and caution must be practiced when installing, operating, and maintaining any appliance.

2	Warranty
3	Product Registration
3	Normal Sounds
4	Important Safety Instructions
4	Operation of Current Device
5	Using Air Conditioner
5-10	Air Conditioner Features
11	Care and Cleaning
11	Energy Saving Ideas
12	Avoid Service Checklist

## Normal Sounds

**Sound of Rushing Air**  
At the front of the unit, you may hear the sound of rushing air being moved by the fan.

**High Pitched Chatter**  
Today's high efficiency compressors may have a high pitched chatter during the cooling cycle.

**Vibration**  
Unit may vibrate and make noise because of poor wall or window construction or incorrect installation.

**Gurgle/Hiss**  
"Gurgling or hissing" noise may be heard due to refrigerant passing through evaporator during normal operation.

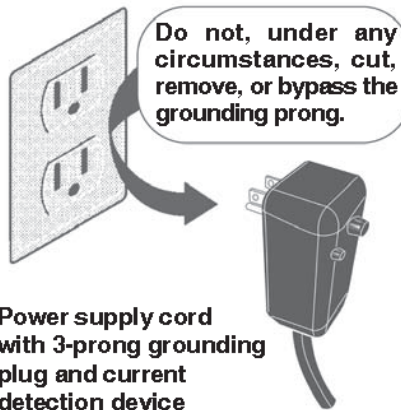
**Pinging or Swishing**  
Droplets of water hitting condenser during normal operation may cause "pinging or swishing" sounds.

## Important Safety Instructions

**NOTE** The power supply cord with this air conditioner contains a current detection device designed to reduce the risk of fire. Please refer to the section 'Operation of Current Device' for details. In the event that the power supply cord is damaged, it cannot be repaired—it must be replaced with a cord from the Product Manufacturer.

**WARNING** Avoid fire hazard or electric shock. Do not use an extension cord or an adaptor plug. Do not remove any prong from the power cord.

### Grounding type wall receptacle



Read all instructions before using this air conditioner.

### **WARNING** For Your Safety

Do not store or use gasoline or other flammable vapors and liquids in the vicinity of this or any other appliance. Read product labels for flammability and other warnings.

### **WARNING** Prevent Accidents

To reduce the risk of fire, electrical shock, or injury to persons when using your air conditioner, follow basic precautions, including the following:

- Be sure the electrical service is adequate for the model you have chosen. This information can be found on the serial plate, which is located on the side of the cabinet and behind the grille.
- If the air conditioner is to be installed in a window, you will probably want to clean both sides of the glass first. If the window is a triple-track type with a screen panel included, remove the screen completely before installation.
- Be sure the air conditioner has been securely and correctly installed according to the separate installation instructions provided with this manual. Save this manual and the installation instructions for possible future use in removing or reinstalling this unit.
- When handling the air conditioner, be careful to avoid cuts from sharp metal fins on front and rear coils.

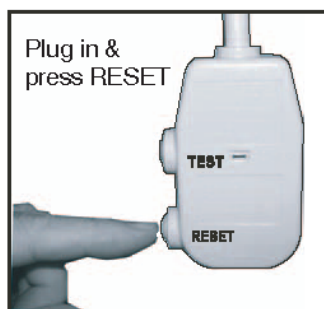
### **WARNING** Electrical Information

The complete electrical rating of your new room air conditioner is stated on the serial plate. Refer to the rating when checking the electrical requirements.

- Be sure the air conditioner is properly grounded. To minimize shock and fire hazards, proper grounding is important. The power cord is equipped with a three-prong grounding plug for protection against shock hazards.
- Your air conditioner must be used in a properly grounded wall receptacle. If the wall receptacle you intend to use is not adequately grounded or protected by a time delay fuse or circuit breaker, have a qualified electrician install the proper receptacle.
- Do not run air conditioner with outside protective cover in place. This could result in mechanical damage within the air conditioner.
- **Do not use an extension cord or an adapter plug.**

## READ THIS SECTION BEFORE ATTEMPTING TO OPERATE AIR CONDITIONER.

## Operation of Current Device



**NOTE:** Some plugs have buttons on the top.

The power supply cord contains a current device that senses damage to the power cord. To test your power supply cord do the following:

1. Plug in the Air Conditioner.
2. The power supply cord will have TWO buttons on the plug head. Press the TEST button. You will notice a click as the RESET button pops out.
3. Press the RESET button. Again you will notice a click as the button engages.
4. The power supply cord is now supplying electricity to the unit. (On some products this is also indicated by a light on the plug head).

### NOTES:

- Do not use this device to turn the unit on or off.
- Always make sure the RESET button is pushed in for correct operation.
- The power supply cord must be replaced if it fails to reset when either the TEST button is pushed, or it cannot be reset. A new one can be obtained from the product manufacturer.
- If power supply cord is damaged, it CANNOT be repaired. It MUST be replaced by one obtained from the product manufacturer.

# Air Conditioner Features

## ELECTRONIC CONTROL OPERATING INSTRUCTIONS

Before you begin, thoroughly familiarize yourself with the control panel and remote as shown below and all its functions, then follow the symbol for the functions you desire. The unit can be controlled by the touch pad alone or with the remote.

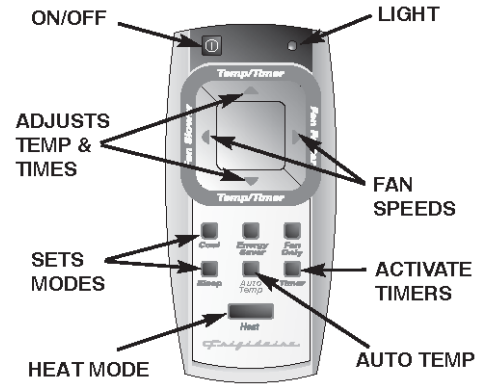
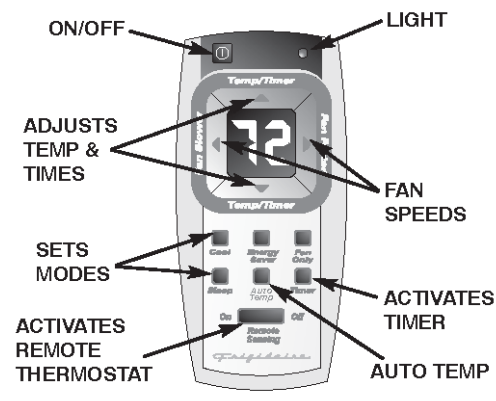


Fig. "A" REMOTE CONTROL FOR HEAT MODELS



REMOTE CONTROL w/DISPLAY & REMOTE SENSING BUTTON

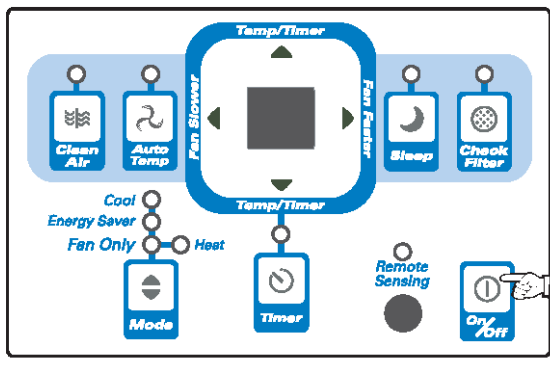
Fig. "B"

### Battery Size: AA

**Warning:** do not mix old and new batteries. Do not mix alkaline, standard (carbon-zinc), or rechargeable (nickel-cadmium) batteries.

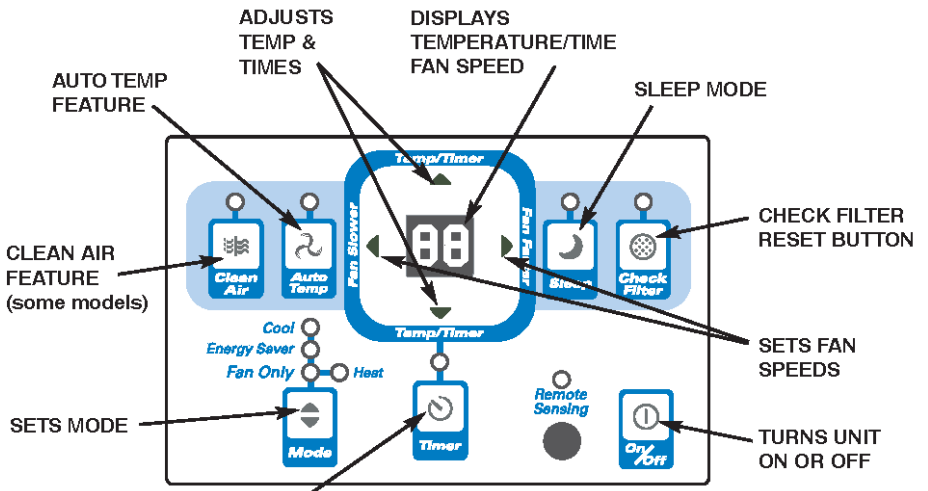
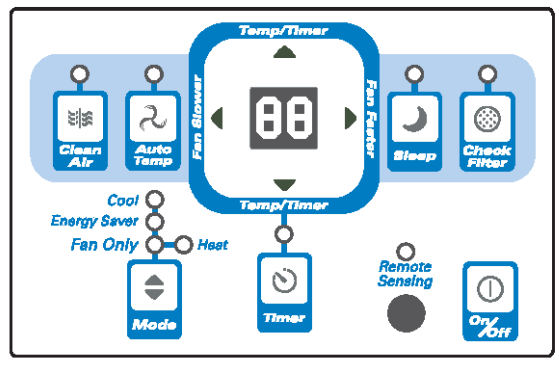
**NOTE:** The following instructions represent the Touch Pad, the same instructions can be used for the Remote Control.

### TO TURN UNIT ON:



DO THIS:  
PRESS ON/OFF BUTTON

### YOU WILL SEE:

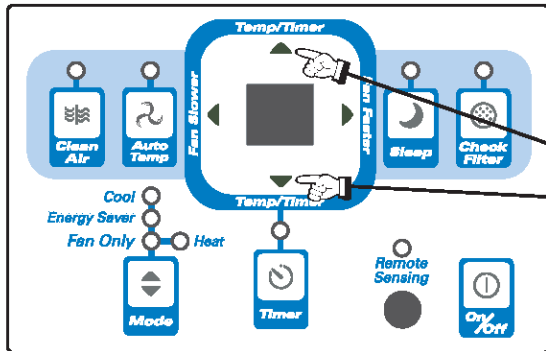


## TOUCH PAD

# Air Conditioner Features

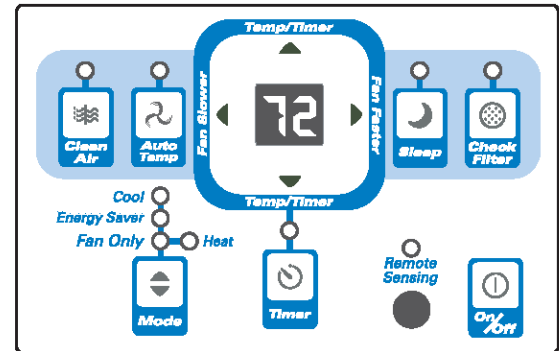
(continued)

## TO CHANGE TEMPERATURE SETTING:



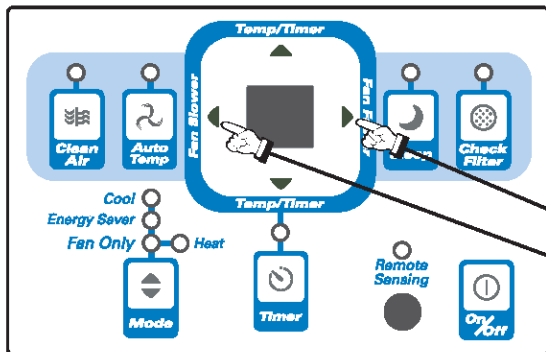
**DO THIS:**  
PRESS TO RAISE  
PRESS TO LOWER

## YOU WILL SEE:



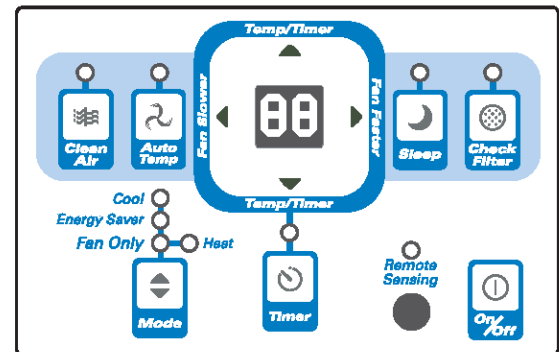
**Note:** Tap or hold either up (▲) or down (▼) button until the desired temperature is seen on the display. This temperature will be automatically maintained anywhere between 60°F (16°C) and 90°F (32°C) for cooling mode. The temperature will be automatically maintained anywhere between 55°F (13°C) and 80°F (27°C) for heating mode. If you want the display to read the actual room temperature. See “To Operate on Fan Only” section on Page 7.

## TO ADJUST FAN SPEEDS:



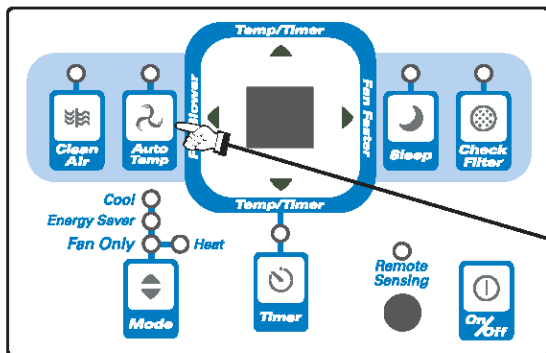
**DO THIS:**  
PRESS TO SELECT:  
FASTER  
SLOWER

## YOU WILL SEE (10-99):



A 2 Digit Display is used to indicate the Fan Speed setting, from 10 through 99. When the “SLOWER” button is pressed the motor speed will slow down at various intervals, down to a minimum setting of 10. To speed the motor up, press the “FASTER” button. The speed will increase at multiple intervals to a maximum setting of 99. Display will revert back to temperature setting after a short time.

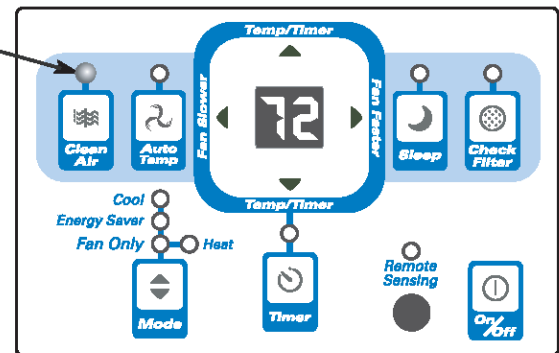
## TO USE AUTO TEMP FEATURE:



**DO THIS:**  
PRESS  
AUTO TEMP

## YOU WILL SEE:

LIGHT On

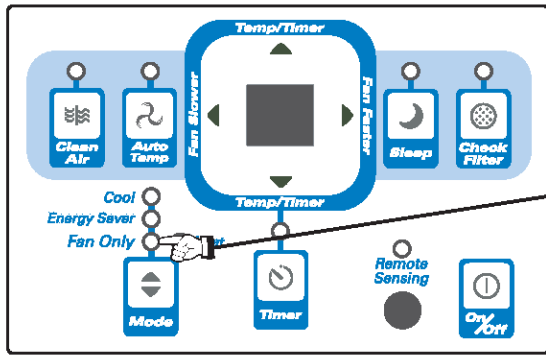


**Note:** Fan speed starts at High Speed and adjusts to a slower speed as the room temperature dictates. For example if the room doesn't get too warm, it will stay at the slowest speed. If the room temperature rises quickly, such as a door being opened, it will automatically go to the highest speed. The fan speeds will re-adjust back to the slowest speed as the room returns to the original set temperature.

# Air Conditioner Features

(continued)

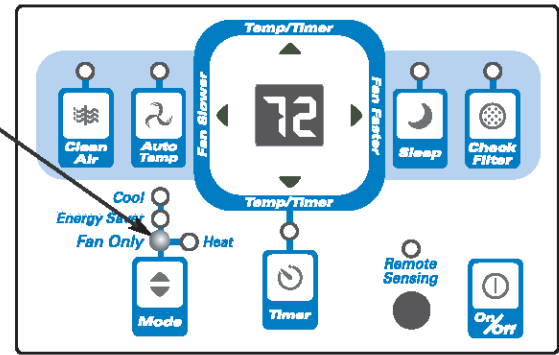
## TO OPERATE ON FAN ONLY:



LIGHT On

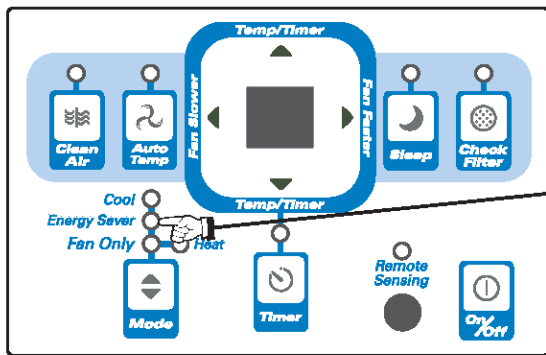
**DO THIS:**  
PRESS  
MODE BUTTON  
CHOOSE  
FAN ONLY

## YOU WILL SEE:



**Note:** Use this function only when cooling is not desired, such as for room air circulation or to exhaust stale air. (Remember to open the vent during this function, but keep it closed during cooling for maximum cooling efficiency.) You can choose any fan speed you prefer. (Except "Auto Temp"). During this function, the display will show the actual room temperature, not the set temperature as in the cooling mode.

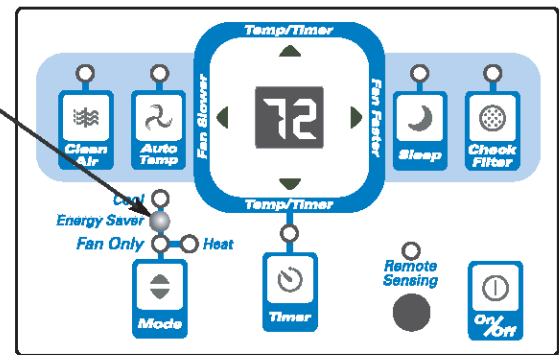
## TO USE THE ENERGY SAVER FEATURE:



LIGHT On

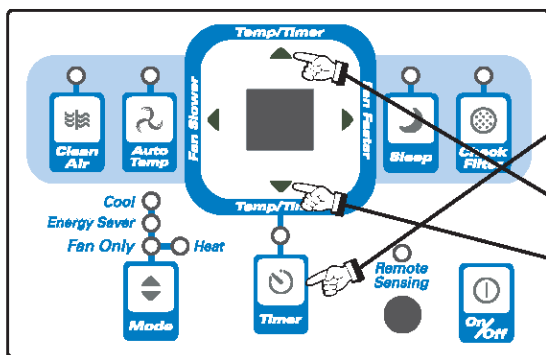
**DO THIS:**  
PRESS  
MODE BUTTON  
CHOOSE  
ENERGY SAVER

## YOU WILL SEE:



**Note:** In this mode, the fan will continue to run for another 3 minutes after the compressor shuts off. The fan then cycles on for 2 minutes at 10 minute intervals until the room temperature is above the set temperature, at which time the the cooling system turns back on.

## TIMER: DELAY START/STOP FEATURE:

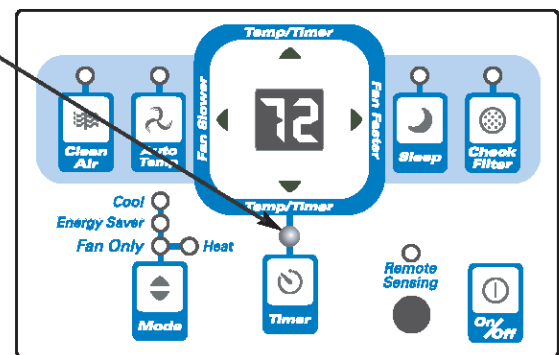


LIGHT On

**FIRST DO THIS:**  
PRESS  
TIMER BUTTON

**THEN DO THIS:**  
PRESS  
TEMP/TIMER  
SET BUTTON

## YOU WILL SEE:



**Note 1:** For Delay Stop, the unit must be in the On position.

**Note 2:** For Delay Start, the unit must be in the Off position.

First, PRESS TIME BUTTON

Then to adjust timer setting, tap or hold the UP arrow (▲) or the DOWN arrow (▼) to change delay timer at .5 hour increments, up to 10 hours, then by 1 hour increments up to 24 hours. The control will count down the time remaining until start (8, 7.5, 7, etc.). The Delay Start mode automatically selects cooling with maximum Fan Speed. The temperature maintained will be the same as previously set. To change the set temperature, press "COOL" then Up or Down arrows until the desired temperature is indicated on the display. After 5 seconds, the control will automatically change the display back to the hours remaining until the unit will start/stop. PRESSING the unit On/Off button at any time will cancel the Delay Start/Stop function. The Delay Start/Stop Feature will work until the unit either starts or stops. Once that happens he above steps have to be repeated again.

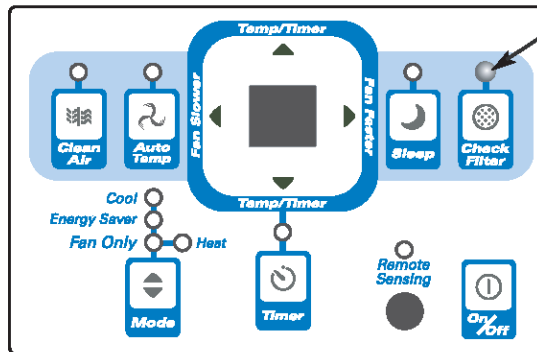
# Air Conditioner Features

(continued)

## CHECK FILTER FEATURE:

YOU WILL SEE :

LIGHT On

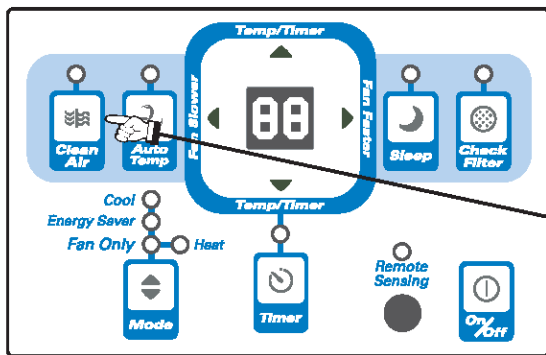


**Note:** This feature is a reminder to clean the Air Filter (See Care and Cleaning) for more efficient operation and cooling. The LED (light) will illuminate after 250 hours of operation. To reset after cleaning the filter, press the “Check Filter” button and the light will go off.

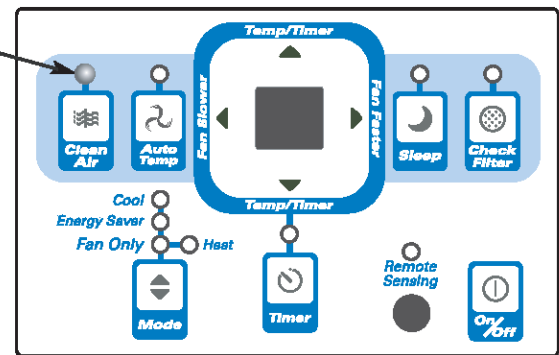
## CLEAN AIR FEATURE (on some models):

LIGHT On

YOU WILL SEE:



DO THIS:  
PRESS  
CLEAN AIR  
BUTTON



**Note:** When this feature is “ON”, the electronic air purifier is energized to remove pollen and impurities from the air. To cancel this feature, press the Clean Air button (the LIGHT will turn off).

**Note:** This feature can be activated on the unit touchpad ONLY.

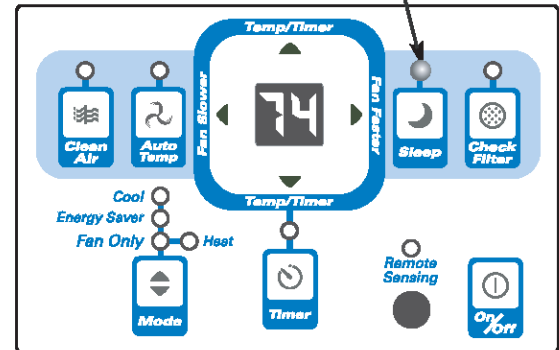
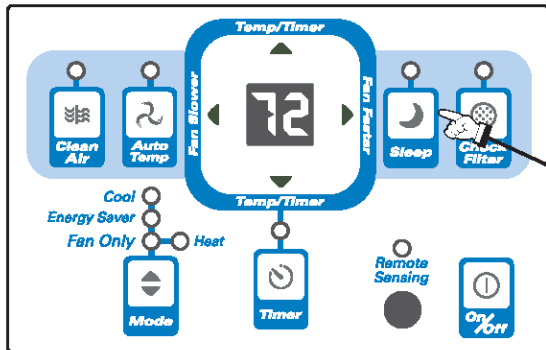
## SLEEP FEATURE:

DO THIS:

PRESS  
SLEEP  
BUTTON

YOU WILL SEE:

LIGHT On



**Note:** In this “MODE” the set temperature will increase by 2 degrees F 30 minutes after the mode is selected. The temperature will then increase by another 2 degrees F after an additional 30 minutes. This new temperature will be maintained for 7 hours before it returns to the originally selected temperature. This ends the “Sleep” MODE and the unit will continue to operate as originally programmed. The “Sleep” MODE program can be cancelled at any time during operation by again pressing the “Sleep” button.



# Air Conditioner Features

(continued)

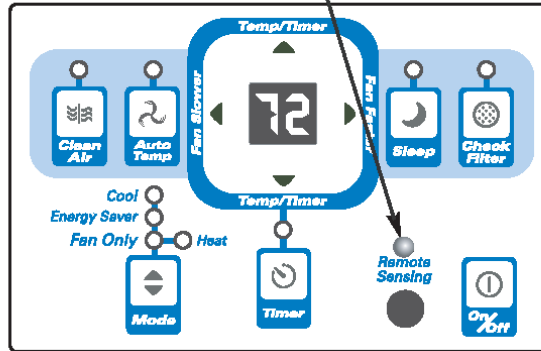
## REMOTE SENSING FEATURE

(on some models) :



**DO THIS:**  
PRESS REMOTE SENSING BUTTON ON

LIGHT pulsing On & Off intermittently.

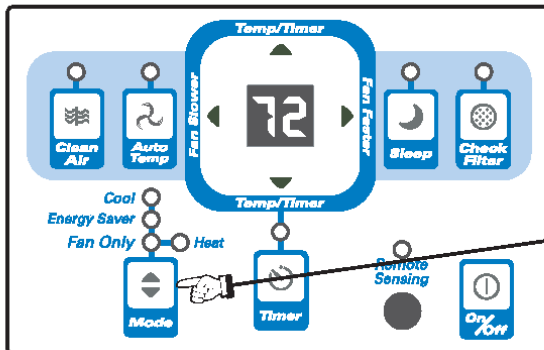


**NOTE:** Unit display shows “set” temperature

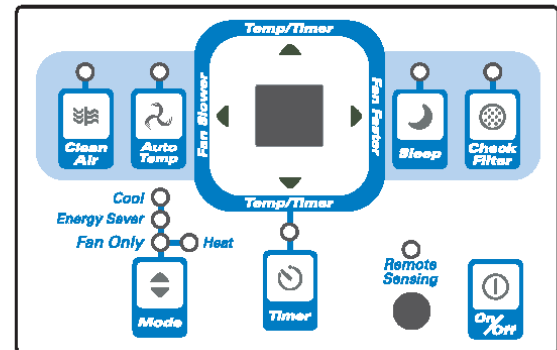
**NOTE:** Remote display is actual temperature at remote control only

**Note:** This feature can be activated from the remote control ONLY, the unit must be in a cooling mode. To activate the remote sensing feature, point the remote control towards the unit and press the remote sensing button. Next, use the ▲ ▼ buttons to set the desired temperature at the remote. (Note that the set temperature will only be displayed on the unit itself). The LIGHT on the unit control will pulse to indicate it received the signal. The LIGHT on the remote control will pulse each time it sends a signal. It will continue to send this signal until the feature is deactivated by pressing the remote sensing button. If the unit does not receive the remote sensing signal during any 3 minute interval, the unit will beep to indicate the remote sensing mode has ended. The display on the remote control indicates the temperature at the remote ONLY. The unit display indicates the set temperature.

## HEATING FEATURE (on some models)

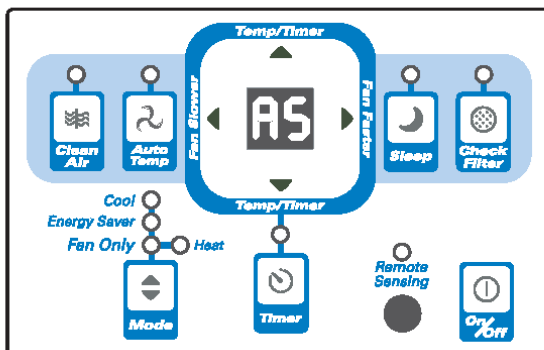


**DO THIS:**  
PRESS MODE BUTTON  
SELECT HEAT

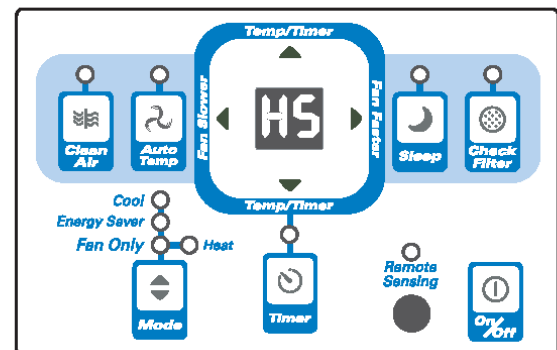


**Note:** This feature can be used with any combination of FAN Speeds, Timer, or Sleep Modes. When in the “Heat” Mode, the fan will run continuously while heat is needed. The temperature will automatically be maintained anywhere between 55°F (13°C) and 80°F (27°C). When the room set temperature is satisfied, the fan will cycle off and on to circulate and sample the room air.

## FAULT CODES



If the display reads “AS”, a sensor has failed. Contact your Authorized Frigidaire Service Center.

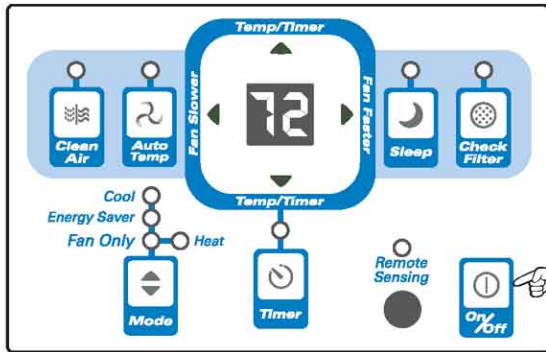


If the display reads “HS”, a sensor has failed. Contact your Authorized Frigidaire Service Center.

# Air Conditioner Features

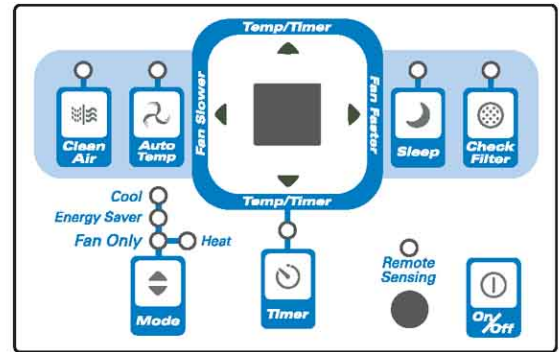
(continued)

## TO TURN UNIT OFF:



**DO THIS:**  
PRESS ON/OFF BUTTON

## YOU WILL SEE:



**Note:** When unit is shut off in the Heat Mode, the fan will continue to run for a few seconds to dissipate residual heat within the unit.

## ADDITIONAL THINGS YOU SHOULD KNOW

Now that you have mastered the operating procedure, here are more features in your control that you should become familiar with.



- The "Cool" circuit has an automatic 3 minute time delayed start if the unit is turned off and on quickly. This prevents overheating of the compressor and possible circuit breaker tripping. The fan will continue to run during this time.



- The control will maintain the set temperature within 2 degrees Fahrenheit, between 60F and 90F degrees.
- The control is capable of displaying temperature in degrees Fahrenheit or degrees Celsius. To convert from one to the other and back, press and hold the "TEMP/TIMER" Up (▲) and Down (▼) buttons together for 3 seconds.

## Fresh Air Vent Control (On some models)

The Fresh Air Vent allows the air conditioner to:

- Recirculate inside air - Vent Closed (see Fig. 1)
- Draw fresh air into the room - Vent Open (see Fig. 2)
- Exchange air from the room and draws fresh air into the room - Vent and Exhaust Open (see Fig. 3)

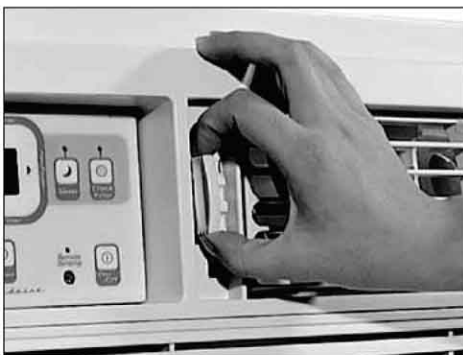


Fig. 1 (OFF)



Fig. 2 (FRESH AIR)



Fig. 3 (VENT)



(4-WAY)

AUGER WHEEL

## Auger Type Air Directional Louvers

The louvers will allow you to direct the air flow Up or Down and Left or Right throughout the room as needed. Rotate the Auger Wheel Up or Down until the desired direction is obtained.

## Care and Cleaning



Clean your air conditioner occasionally to keep it looking new. **Be sure to unplug the unit before cleaning to prevent shock or fire hazards.**

### Air Filter Cleaning

The air filter should be checked at least once a month to see if cleaning is necessary. Trapped particles in the filter can build up and cause an accumulation of frost on the cooling coils.

- Tilt the panel out by grasping the panel from both sides, just below the controls and the air directional louvers, and gently pull to release. Pivot the panel on its hinges and remove the filter.
- Wash the filter using liquid dishwashing detergent and warm water. Rinse filter thoroughly. Gently shake excess water from the filter. Be sure filter is thoroughly dry before replacing.
- Or, instead of washing you may vacuum the filter clean.

### Cabinet Cleaning

- Be sure to unplug the air conditioner to prevent shock or fire hazard. The cabinet and front may be dusted with an oil-free cloth or washed with a cloth dampened in a solution of warm water and mild liquid dishwashing detergent. Rinse thoroughly and wipe dry.
- Never use harsh cleaners, wax or polish on the cabinet front.
- Be sure to wring excess water from the cloth before wiping around the controls. Excess water in or around the controls may cause damage to the air conditioner.
- Plug in air conditioner.

### Winter Storage

If you plan to store the air conditioner during the winter, remove it carefully from the window according to the installation instructions. Cover it with plastic or return it to the original carton.

**Note: To prevent rust or electrical connections from being damaged, store air conditioner in an upright and a dry place.**

## Energy Saving Ideas



- **Do not block air flow inside with blinds, curtains or furniture; or outside with shrubs, enclosures, or other buildings.**
- The capacity of the room air conditioner must fit the room size for efficient and satisfactory operation.
- Install the room air conditioner on the shady side of your home. A window that faces north is best because it is shaded most of the day.
- Close the fireplace damper, floor and wall registers so cool air does not escape up the chimney and into the duct work.
- Keep blinds and drapes in other windows closed during the sunniest part of the day.
- Clean the air filter as recommended in the section "Care and Cleaning."
- Proper insulation and weather stripping in your home will help keep warm air out and cool air in.
- External house shading with trees, plants or awnings will help reduce the air conditioner's work load.
- Operate heat producing appliances such as ranges, washers, dryers and dishwashers during the coolest part of the day.

## Avoid Service Checklist

Before calling for service, review this list. It may save you time and expense. This list includes common occurrences that are not the result of defective workmanship or materials in this appliance.

OCCURRENCE	SOLUTION
Air conditioner will not operate.	Wall plug disconnected. Push plug firmly into wall outlet. Plug Current Device Tripped. Press the RESET button. House fuse blown or circuit breaker tripped. Replace fuse with time delay type or reset circuit breaker. Control is OFF. Turn Control ON and set to desired setting.
Air from unit does not feel cold enough.	Room temperature below 60°F (16°C). Cooling may not occur until room temperature rises above 60°F (16°C). Temperature sensing element touching cold coil, located behind air filter. Straighten away from coil. Reset to a Lower temperature. Compressor shut-off by changing modes. Wait approximately 3 minutes and listen for compressor to restart when set in the COOL mode.
Air conditioner cooling, but room is too warm - ice forming on cooling coil behind decorative front.	Outdoor temperature below 60°F (18°C). To defrost the coil, set FAN ONLY Mode. Air filter may be dirty. Clean filter. Refer to Care and Cleaning section. To defrost, set to FAN ONLY Mode. Temperature is set too Low for night-time cooling. To defrost the coil, set to FAN ONLY Mode. Then, set Temperature to a Higher setting.
Air conditioner cooling, but room is too warm - NO ice forming on cooling coil behind decorative front.	Dirty air filter - air restricted. Clean air filter. Refer to Care and Cleaning section. Temperature is set too High. Set temperature to a Lower setting. Air directional louvers positioned improperly. Position louvers for better air distribution. Front of unit is blocked by drapes, blinds, furniture, etc. - restricts air distribution. Clear blockage in front of unit. Doors, windows, registers, etc. open - cold air escapes. Close doors, windows, registers, etc. Unit recently turned on in hot room. Allow additional time to remove "stored heat" from walls, ceiling, floor and furniture.
Air conditioner turns on and off rapidly.	Dirty air filter - air restricted. Clean air filter. Outside temperature extremely hot. Set FAN speed to a faster setting to bring air past cooling coils more frequently.
Noise when unit is cooling.	Air movement sound. This is normal. If too loud, set to a slower FAN setting. Window vibration - poor installation. Refer to installation instructions or check with installer.
Water dripping INSIDE when unit is cooling.	Improper installation. Tilt air conditioner slightly to the outside to allow water drainage. Refer to installation instructions - check with installer.
Water dripping OUTSIDE when unit is cooling.	Unit removing large quantity of moisture from humid room. This is normal during excessively humid days.
Remote Sensing Deactivating Prematurely (Some Models).	Remote control not located within range. Place remote control within 20 feet & 180°, radius of the front of the unit. Remote control signal obstructed. Remove obstruction.
Room Too Cold.	Set temperature too low. Increase set temperature. Remote Sensing activated (on some models) and remote control located in Hot Spot - Relocate remote control or deactivate remote sensing.

**If These Solutions Fail, Call 1-800-444-4944 For Frigidaire Service.**