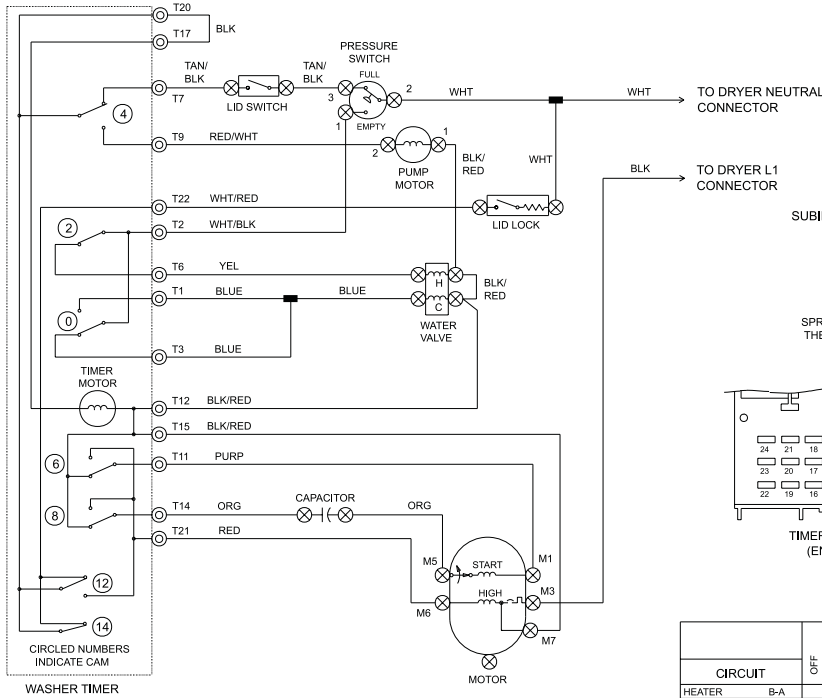
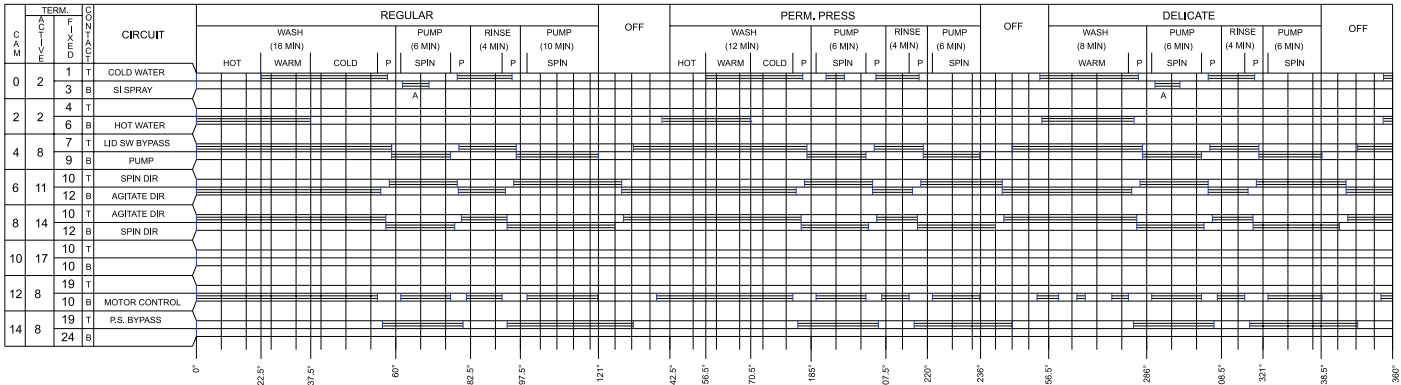
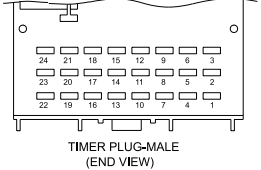
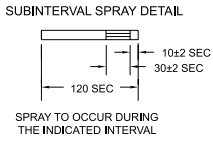


CAUTION: DISCONNECT ELECTRIC CURRENT BEFORE SERVICING

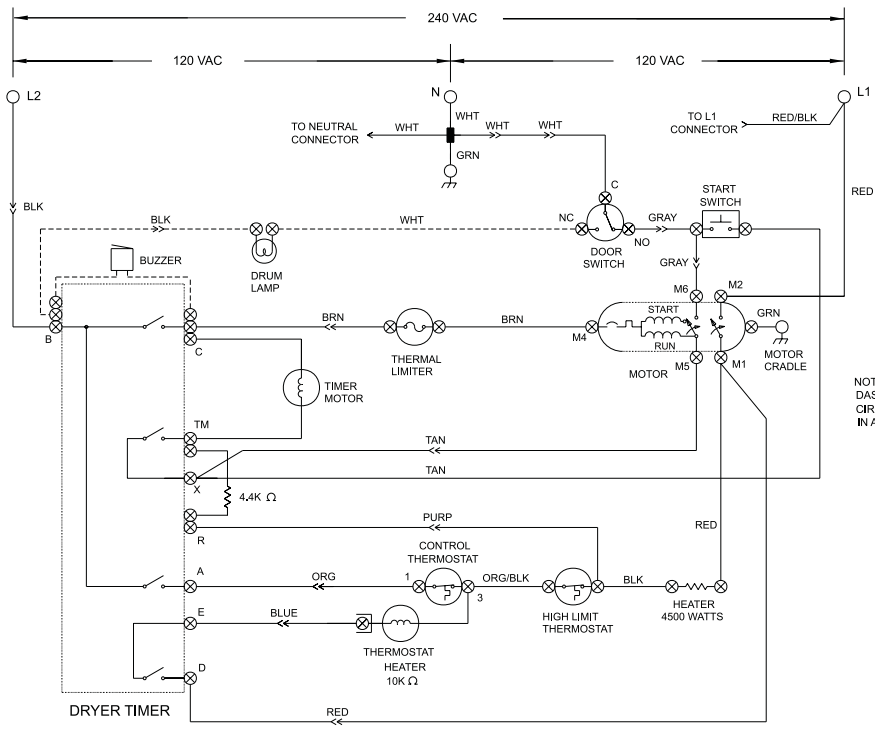
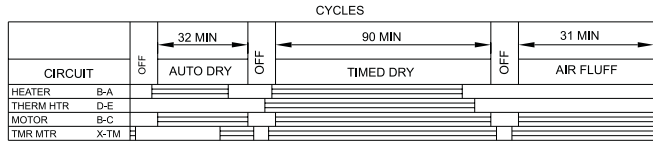


WIRING CODES

- ⊙ PLUG-IN TIMER
- ⊗ QUICK DISCONNECT TERMINAL
- ⊕ CONNECTION
- ⊖ NO CONNECTION
- ⊛ MOTOR SWITCH
- ⊞ SPLICE
- ⊟ MOTOR PROTECTOR
- ⊠ CHASSIS (CABINET) GROUND
- ⊡ SCREW TERMINAL
- ⊣ HARNESS CONNECTOR TERMINAL
- ⊤ INSULATED TERMINAL



- NOTES:**
- ALL WIRING MUST CONFORM TO LOCAL ELECTRICAL CODES.
 - CONNECT DRYER TO 30 AMP INDIVIDUAL BRANCH CIRCUIT.
 - DRYER TIMER SHOWN IN OFF POSITION DOOR SWITCH CLOSED, MOTOR AT REST, AN THERMOSTAT CLOSED.
- WASHER TIMER SHOWN IN ON POSITION AND PRESSURE SWITCH FULL.



BAR CHART ABOVE REPRESENTS ONE COMPLETE REVOLUTION OF TIMER SHAFT.

SHADED PORTION OF BAR CHART INDICATES THE PROPORTIONAL TIMES THAT INTERNAL TIMER CONTACTS ARE CLOSED.

NOTE: DASHED LINES INDICATE CIRCUITS THAT ARE NOT IN ALL MODELS.

E