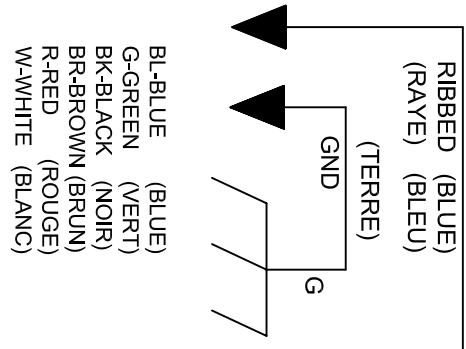
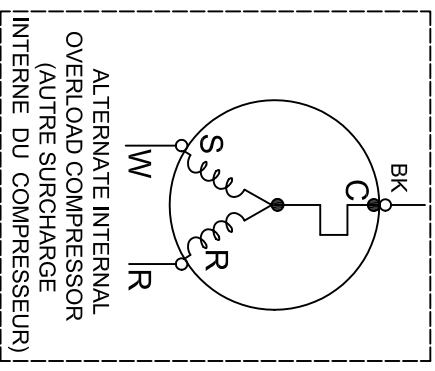
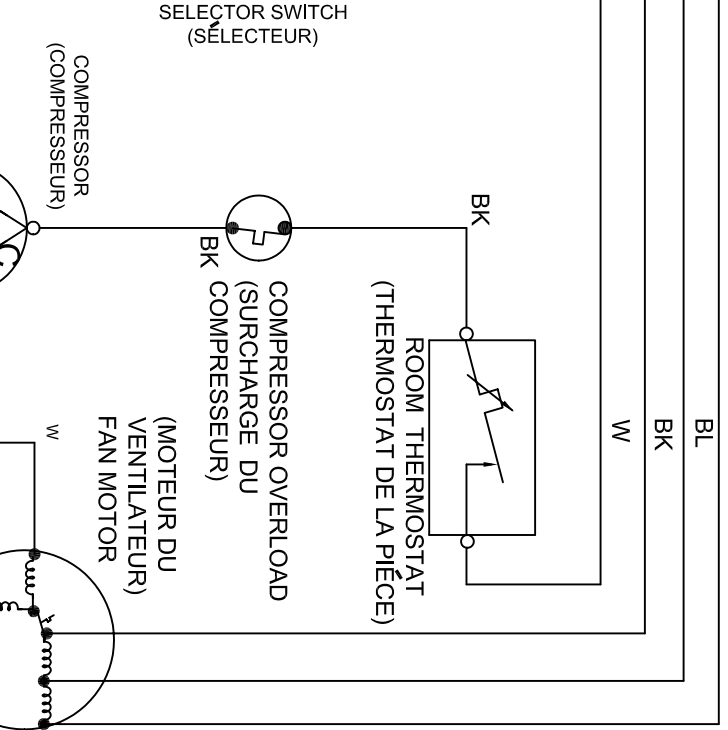
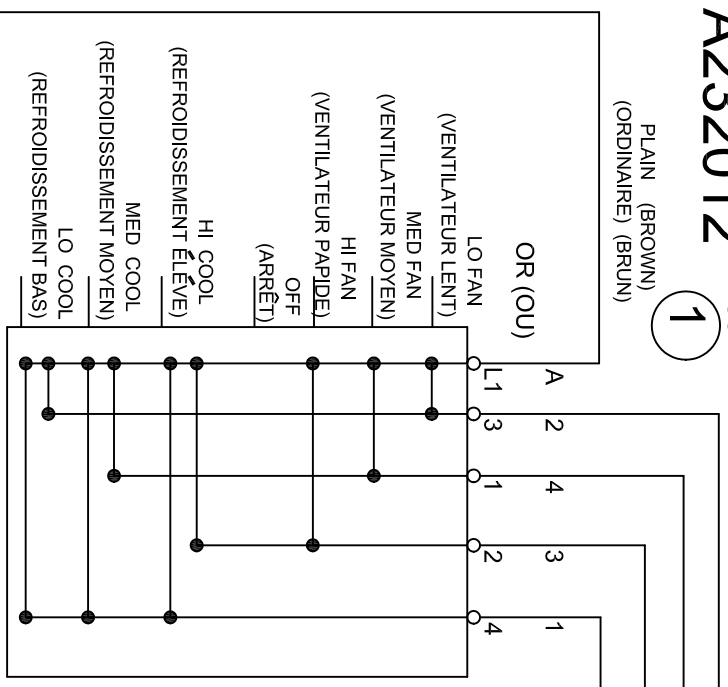


A232012

SUB. 1

PLAIN (BROWN)
(ORDINAIRE) (BRUN)



3.25 inch

3 inch